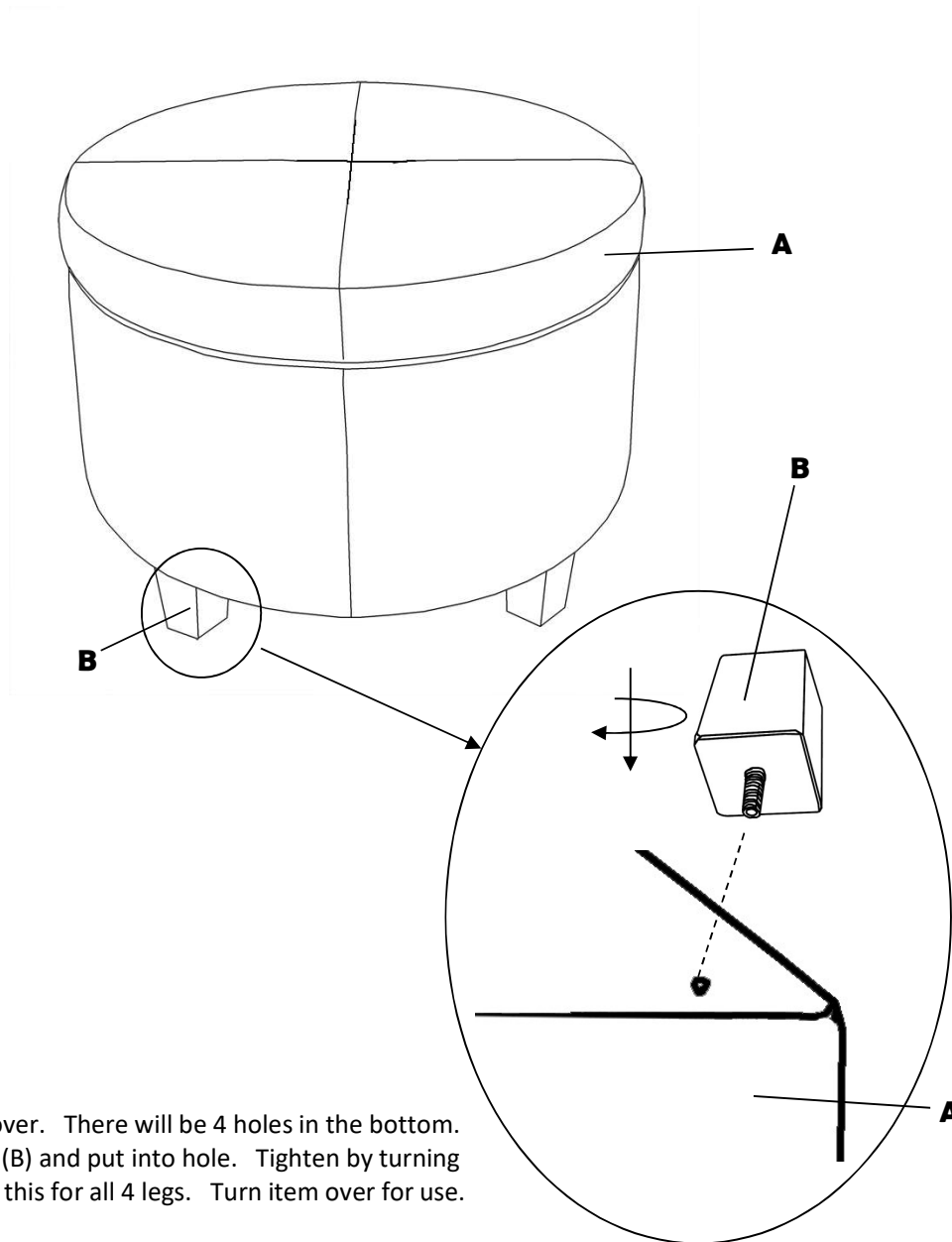


ASSEMBLY INSTRUCTIONS



Turn item (A) over. There will be 4 holes in the bottom. Take wood leg (B) and put into hole. Tighten by turning clockwise. Do this for all 4 legs. Turn item over for use.

A		1PC	B		4PCS
----------	--	------------	----------	--	-------------