

Instruction Manual

For easy and simple usage: please read this operation manual carefully before you start using your new charcoal barbecue.

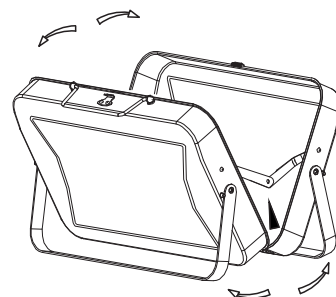
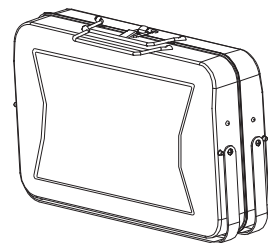
General safety precautions

- ! When in use this barbecue becomes very hot: risk of burning!
- ! Never leave the hot barbecue unattended!
- ! Keep children and pets at a safe distance!
- ! Do not use in enclosed or on covered areas. Risk of suffocation!
- ! Just for private use and proper utilisation (for preparing suitable foods)!
- ! For igniting don't use neither petrol nor any spirit.
- ! Only use firelighters that correspond to the European Standard for firelighters (EN1860-3)!
- ! Make sure that the barbecue is standing on a flat and fireproof surface!
- ! The barbecue must not be moved while it is being used!
- ! Before cleaning, allow the barbecue to cool down completely!
- ! Wear oven gloves or use grilling tongs when barbecuing!

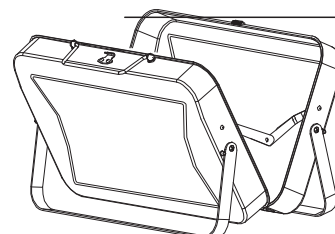
First steps

(1) Remove the item from the packaging, remove all additional packaging materials.

(2) Unlock the grill, open it to the stop as shown in the illustration. Pull the brackets outward to ensure a secure and stable stand. Remove the accessories.

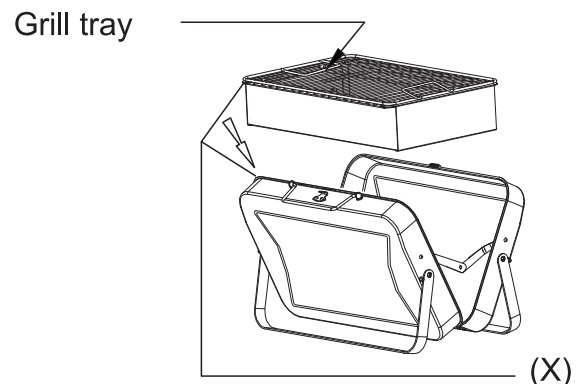


Press down the locking bars until they engage.

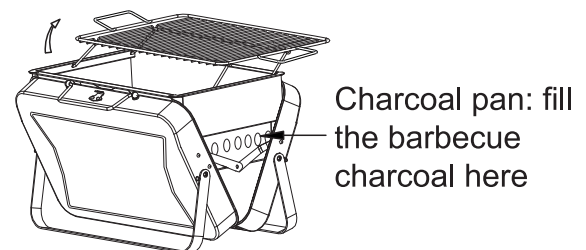


Instruction Manual

(3) Insert the stainless steel tray with both hands into the now open grill body as shown in the illustration. Make sure that the longitudinal edge of the grill tray (X) is firmly seated on the top edge of the case. The charcoal pan slides down into its position of use.



(4) Pull the grill grate upwards as shown in the illustration. Fill the charcoal pan with barbecue charcoal (maximum to the top edge of the pan!) and ignite it.



(5) Approximately 15 minutes after ignition of the grill charcoal a white ash appears on the burning material. The optimum grilling temperature has been reached. Lower the grill grid to the grilling position and start barbecuing.

NOTE: When using the grill for the first time, heat it up for another 15 minutes before you start grilling!

(6) Allow the grill to cool down completely at the end of the grilling process. Remove the grill tray and dispose of the charcoal. Insert the grill tray into the case, pull the locking bars upwards and close the case.

(7) For cleaning, all you need is a dishcloth, warm water and a commercial detergent. Do not use abrasive cleaners!