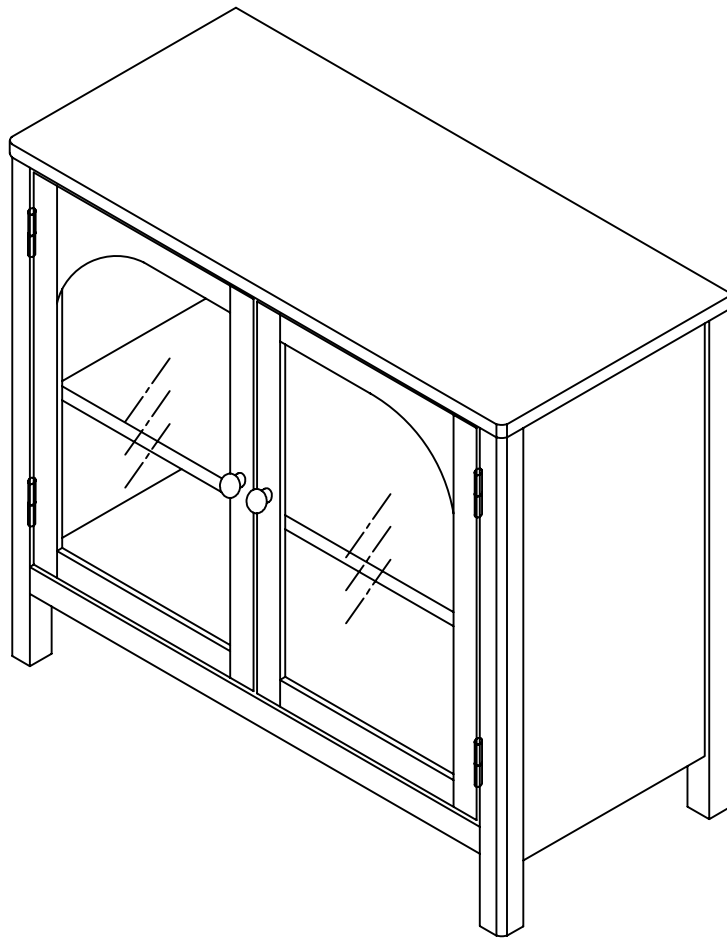


Let's build the

Mason Storage Unit

SKU 71601



Scan me!

Inspiration
Digital Instructions
Free Lifetime Warranty

nathan james

22-0928

Ok, let's get rolling

This should be easy, just follow our instructions and you will be back to Netflix in no time.

Estimated time for assembly



45:00

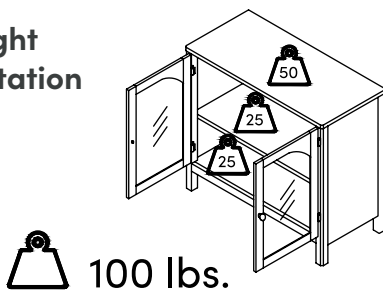
What you need

- Some of your favourite bubbly or your preferred relaxant
- Use the packaging carton as a working surface to prevent product damage during assembly
- Phillips head screwdriver

Do not use a drill



Weight Limitation



Toll-free at 1-866-619-1004
Help@nathanjames.com
Nathanjames.com/help

What's included

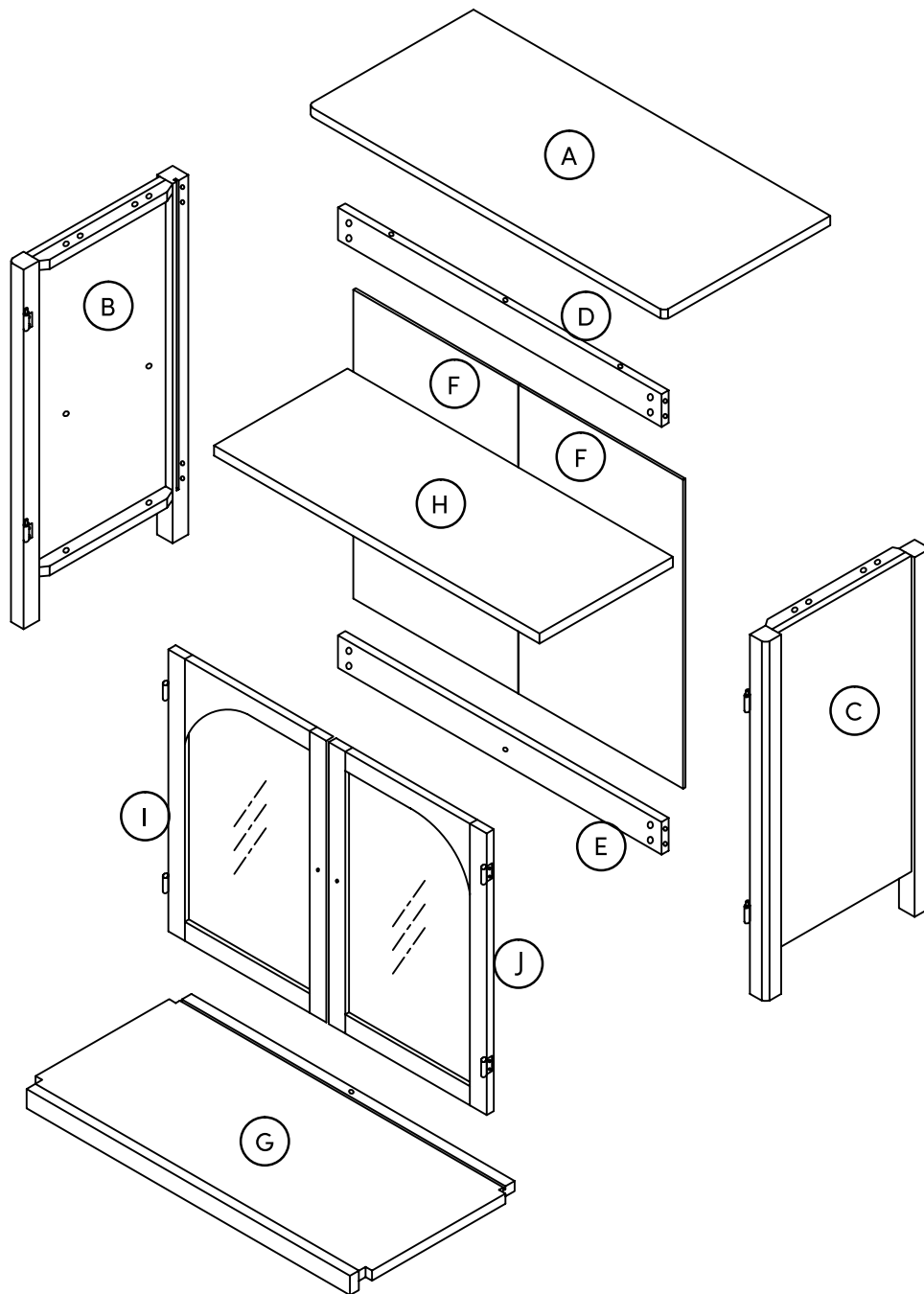
Description	Qty
A Top Panel	1
B Side Frame Panel (Left)	1
C Side Frame Panel (Right)	1
D Top Stretcher	1
E Bottom Stretcher	1
F Back Panel	2
G Bottom Panel	1
H Shelf	1
I Door (Left)	1
J Door (Right)	1

Scan me!

Inspiration
Digital Instructions
Free Lifetime Warranty



The goods



IMPORTANT

1. Do not tighten bolts / screws completely until all bolts / screws are lined up and inserted into holes.
2. Do not over tighten screws and bolts to avoid stripping.
3. Please use hand tools to assemble this product. Do not use power tools.

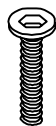


What's included

	Description	Qty
1	¼" x 1" Hex Button Head Bolt	8
2	¼" x ⅜" Spring Washer	8
3	¼" x ½" Flat Washer	8
4	¼" x 2" Hex Button Head Bolt	1
5	¼" Barrel Nut	1
6	Allen Key	1
7	8*20mm Wooden Dowel	4
8	Cam Bolt	11
9	Cam Lock	11
10	Shelf Pin	4
11	M3*12mm Screw	4
12	Handle	2
13	⅝" x 1" Bolt	2
14	Plastic Bracket (for Anti-Tip)	2
15	Wall Anchor (for Anti-Tip)	2
16	M4*38mm Screw (for Anti-Tip)	2
17	M3.5*15mm Screw (for Anti-Tip)	2
18	Plastic Tether (for Anti-Tip)	1
19	Plastic Nail-in Foot (Extra)	4
20	Magnetic Catch	2
21	M3.5*15mm Screw	4

The goods

1



2



3



4



5



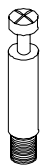
6



7



8



9



10



11



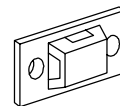
12



13



14



15



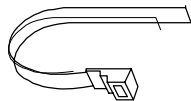
16



17



18



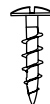
19



20

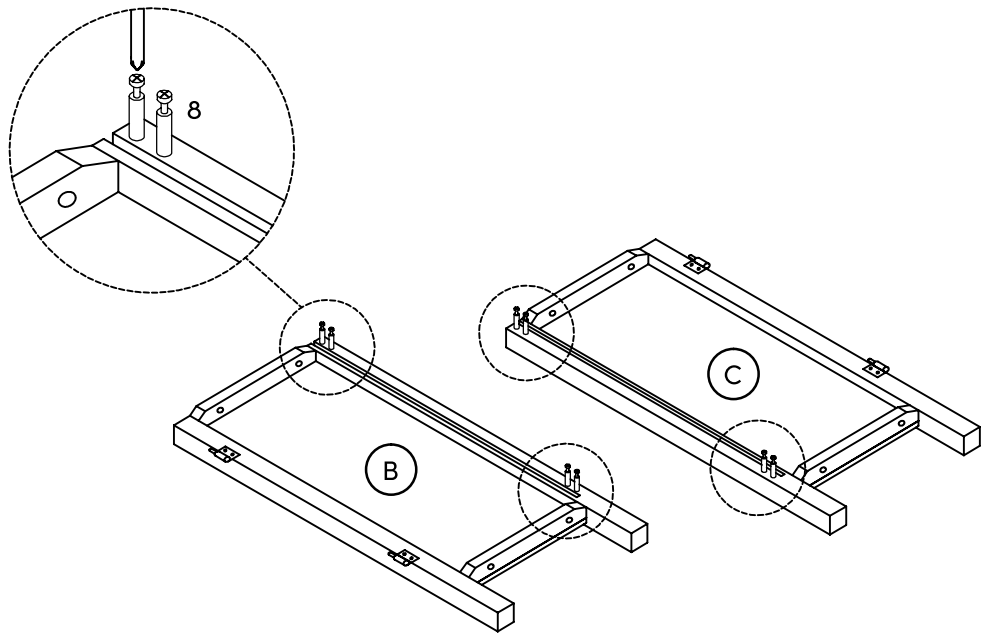


21



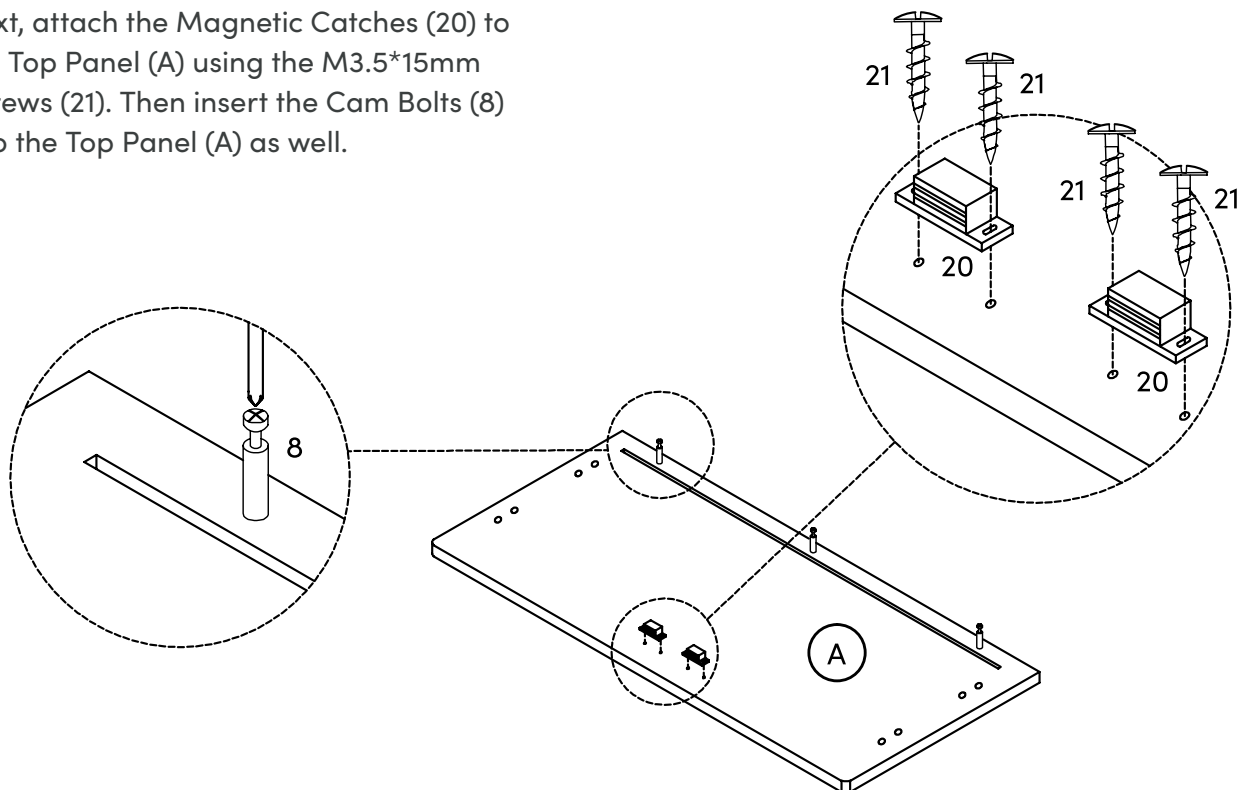
Step 1

Alright, let's get this thing fired up! First things first, insert the Cam Bolts (8) into the Side Frame Panel (Left) (B) and Side Frame Panel (Right) (C). Tighten using a Phillips head screwdriver (not included).



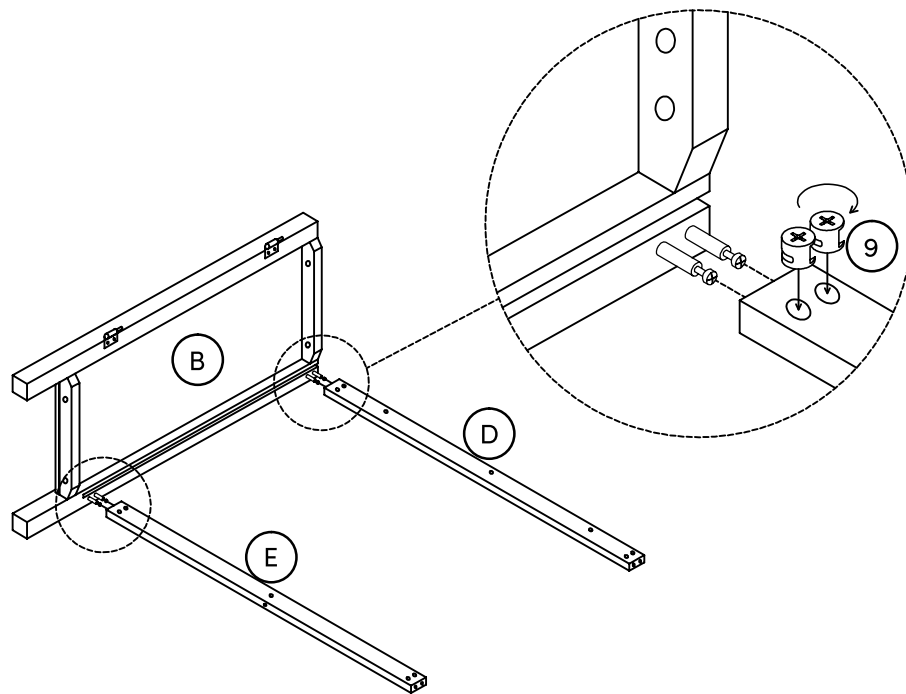
Step 2

Next, attach the Magnetic Catches (20) to the Top Panel (A) using the M3.5*15mm Screws (21). Then insert the Cam Bolts (8) into the Top Panel (A) as well.



Step 3

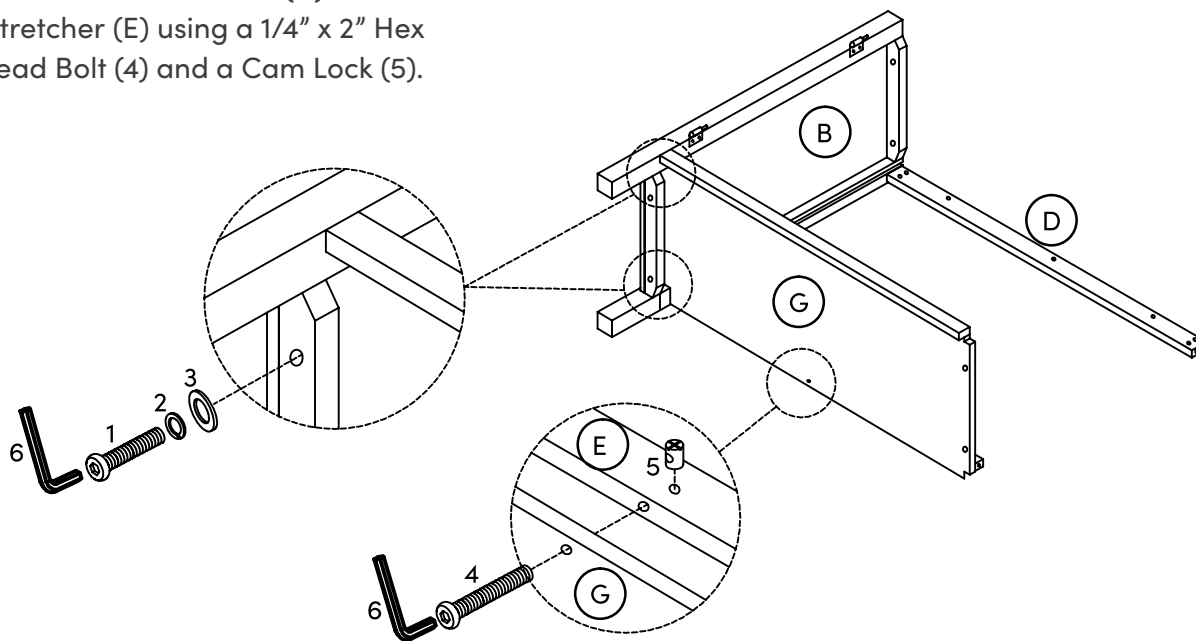
Now, attach the Top Stretcher (D) and Bottom Stretcher (E) to the Side Frame Panel (Left) (B) by aligning the holes in the Stretchers with the Cam Locks you inserted in Step 1. Secure using the Cam Locks (9).



Step 4

Next, attach the Bottom Panel (G) to the Side Frame Panel (Left) (B) using the 1/4" x 1" Hex Button Head Bolts (1). Place a 1/4" x 1/2" Flat Washer (3) down first, followed by a 1/4" x 3/8" Spring Washer (2), and then the 1/4" x 1" Hex Button Head Bolt (1). Tighten using the provided Allen Key (6).

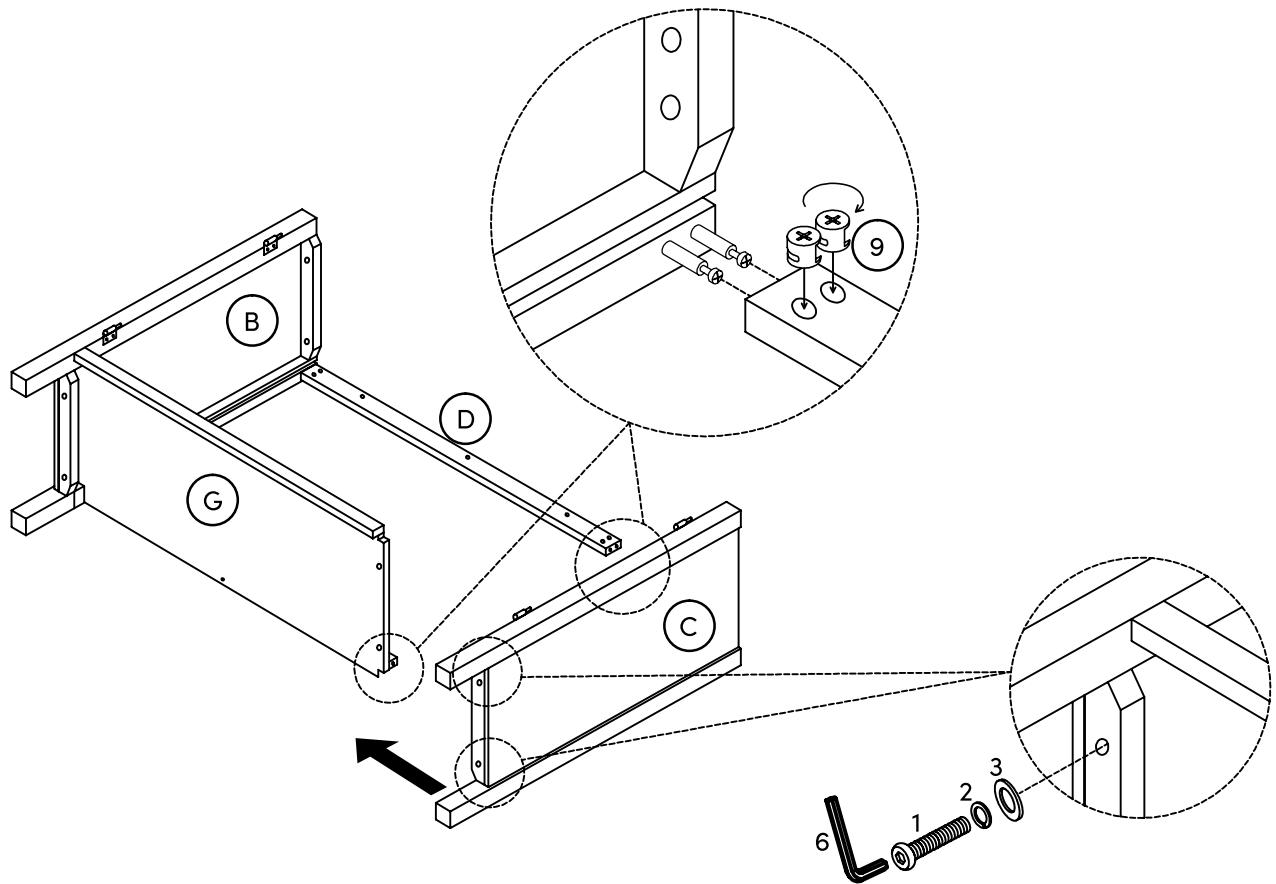
Then attach the Bottom Panel (G) to the Bottom Stretcher (E) using a 1/4" x 2" Hex Button Head Bolt (4) and a Cam Lock (5).



Step 5

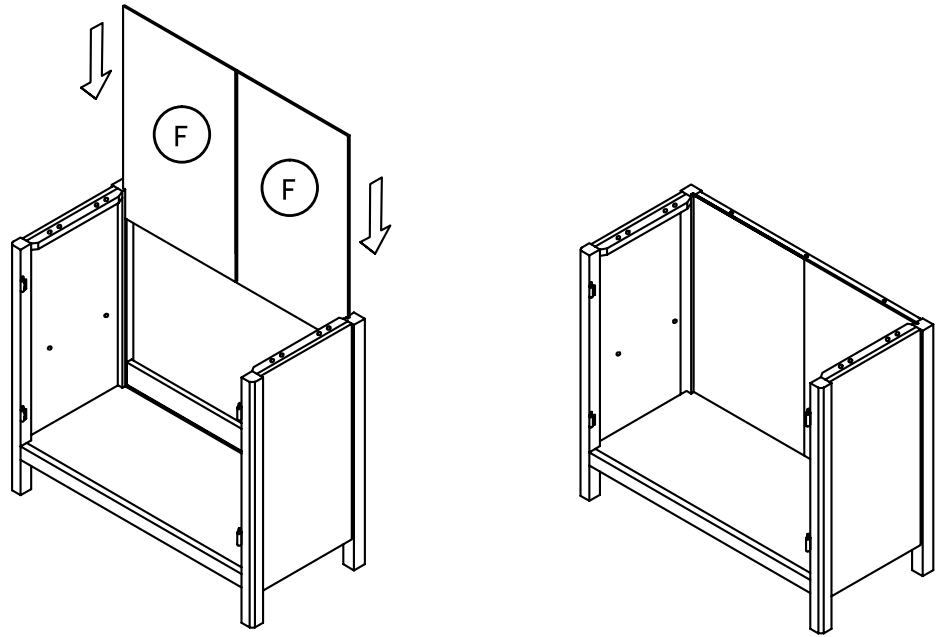
You're doing great! Are you a professional or something? Time to attach the Side Frame Panel (Right) (C) to the Top Stretcher (D) using the Cam Bolts (D). Secure in place with the Cam Locks (9).

Then attach the Side Frame Panel (Right) (C) to the Bottom Panel (G) using the 1/4" x 1" Hex Button Head Bolts (1). Place a 1/4" x 1/2" Flat Washer (3) down first, followed by a 1/4" x 3/8" Spring Washer (2), and then the 1/4" x 1" Hex Button Head Bolt (1). Tighten using the provided Allen Key (6).



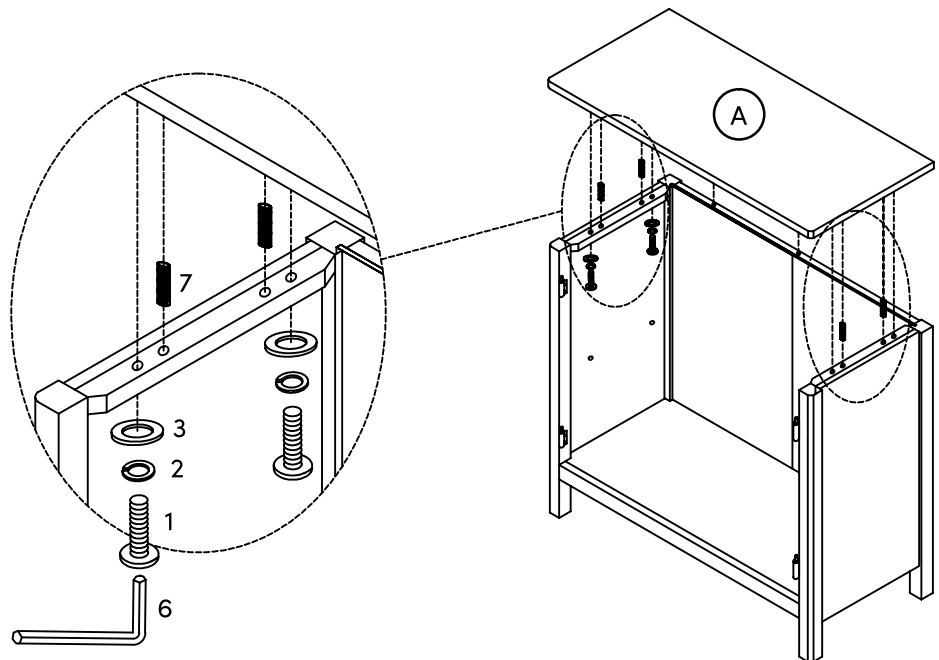
Step 6

We made this step nice and easy for you. Slide the Back Panels (F) into the back of the cabinet frame.



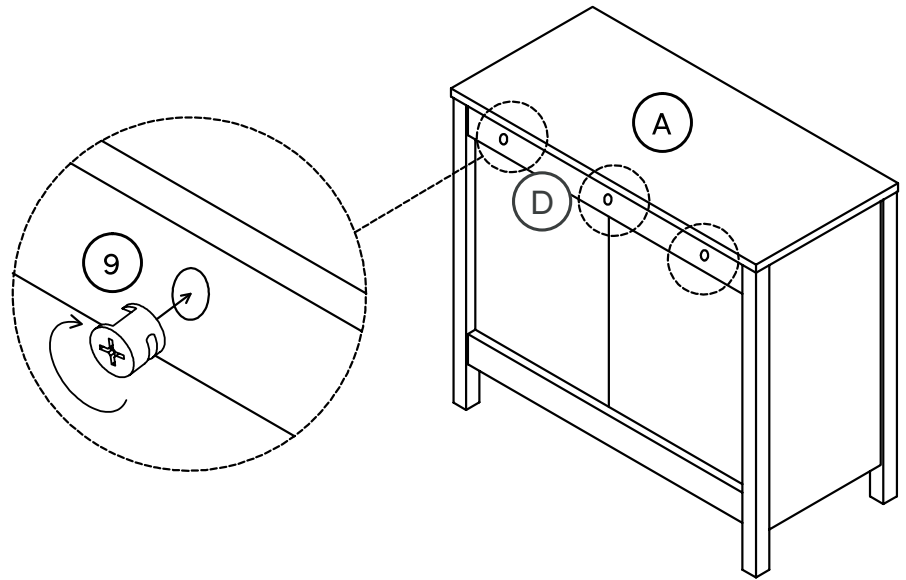
Step 7

This thing is really starting to come together! Time to attach the Top Panel (A) to the rest of the cabinet frame using the 8*20mm Wooden Dowels (7). Secure in place using the 1/4" x 1" Hex Button Head Bolts (1). Be sure to include the washers (2) as well before tightening with the Allen Key (6).



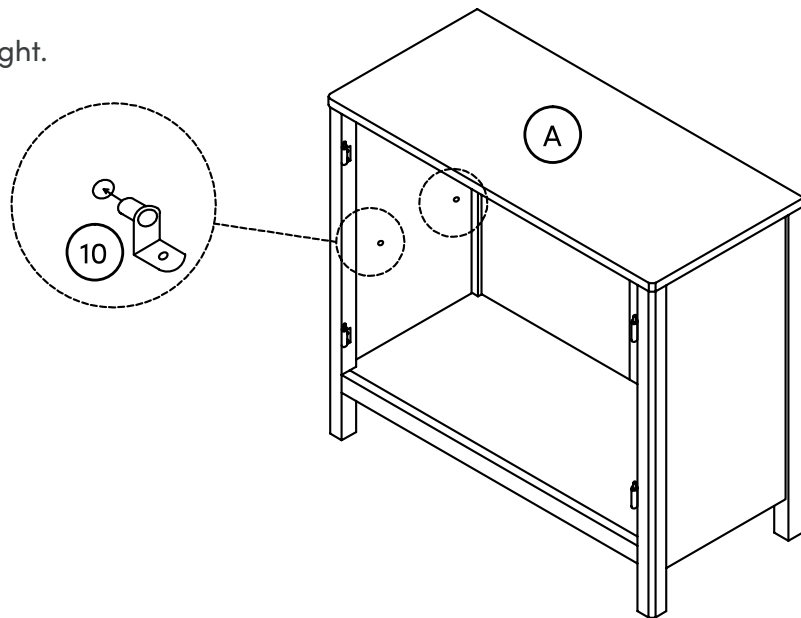
Step 8

Next, secure the Top Panel (A) to the Top Stretcher (D) using the Cam Locks (9).



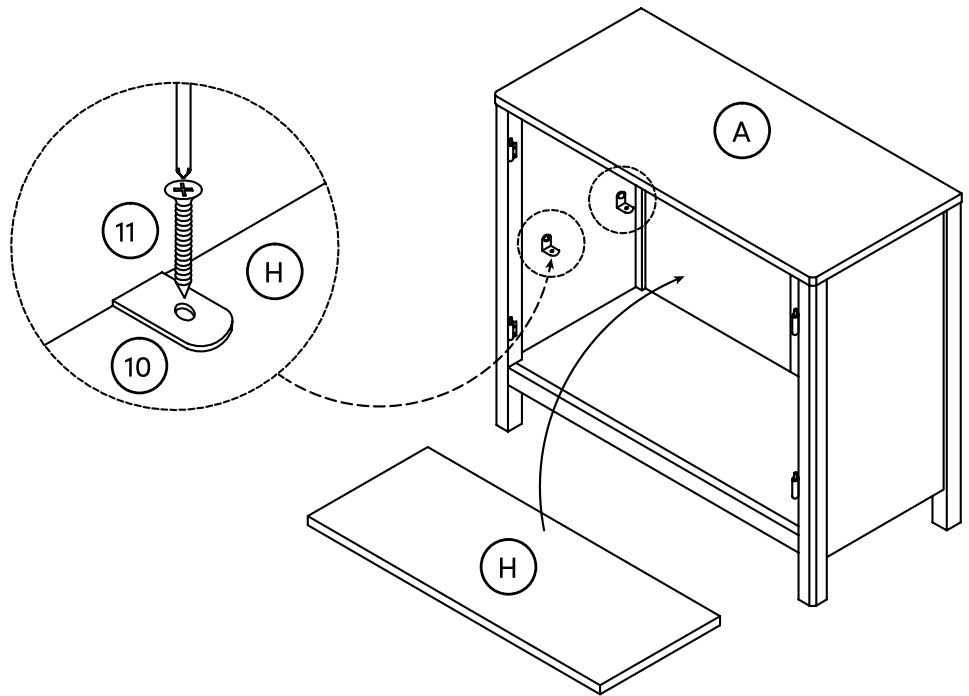
Step 9

Another simple one for you. Insert the Shelf Pins (10) into the side panels at your desired shelf height.



Step 10

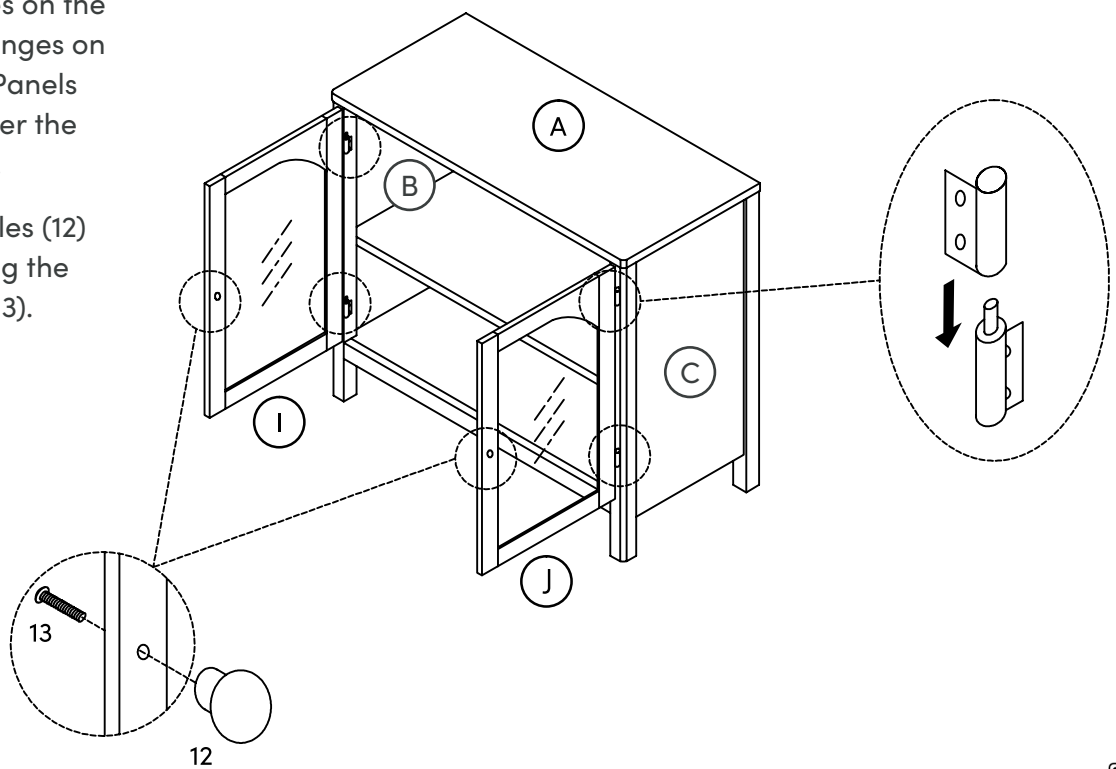
Now slide the Shelf (H) into place. If you want some added stability, secure into the Shelf Pins (10) using the M3*12mm Screws (11).



Step 11

Now let's get those doors attached! Simply line up the hinges on the doors with the hinges on the Side Frame Panels (B) (C). Then lower the doors into place.

Attach the Handles (12) to the doors using the 5/32" x 1" Bolts (13).



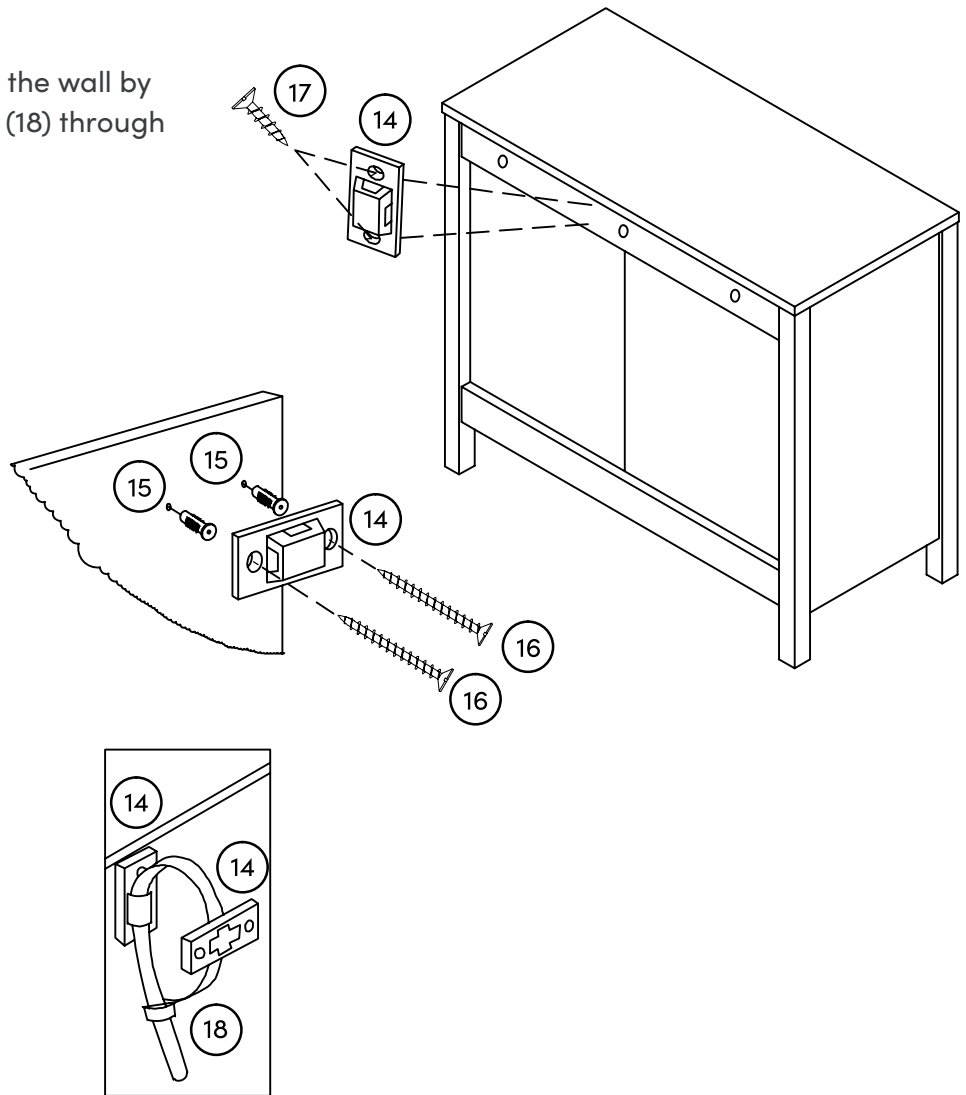
Step 12

You made it to the last step!
We're so proud of you.

Time to add some extra stability. Attach the Plastic Bracket (14) to the back of the cabinet using the M3.5*15mm Screws (17).

Next, attach the Plastic Bracket (14) to your wall using the Wall Anchors (15) and M4*38mm Screws (16).

Finally, tether the cabinet to the wall by threading the Plastic Tether (18) through the Plastic Brackets (14).



No heartburn, when we handle the return

Give us a call **1-866-619-1004** or shoot us a message at **help@nathanjames.com** we will issue you a free replacement with **zero hassle**.

Our way



Give us a call



Replacement



You

Their way



Re-package item



Schedule pick up



Track package



Replacement



You

We really don't want you to go through the hassle of re-packaging your item and sending it back, because let's be honest...nobody has time for that.



Safety first, fun later

We want your Mason Storage Unit to last as long as possible, so we recommend that you tighten the screws 2 weeks after assembly and for added safety check the tightness of all screws every 2 months.

For proper care and treatment please check our website at NathanJames.com/products

Safe use of this product starts with you.

Use this Mason Storage Unit responsibly with the primary concern for your safety. Follow assembly instructions carefully and inspect product upon receipt and each use.

Nathan James and its parent companies cannot be held legally responsible for any injuries or death resulted from failure to follow instructions or improper use of this product.

Do not modify the structure of this product in any way.

Our products have been tested to meet specific safety measures as they were originally intended to be sold. Any modifications will present the risk of creating significant safety issues which NJ will not be responsible for.

Proper use

- DO NOT** use for commercial purposes
- DO NOT** frolic on storage unit
- DO NOT** leave spilled liquid on unit
- DO NOT** use storage unit if damaged
- DO NOT** make temporary repairs
- DO NOT** use outdoors



We are only in business if you're happy

For starters, thanks for being you.

☎ Toll-free at 1-866-619-1004

✉ Help@nathanjames.com

🌐 NathanJames.com/help

We do our best to ensure your furniture arrives without any problems, but occasionally mistakes happen—as humans we are imperfect beings. In the event that a part is damaged or missing, we will be more than happy to provide you with replacement part(s) for free.

Warranty

This product comes with a lifetime warranty from the date of purchase. Please use your phone to scan the QR code to register your product or visit <https://goo.gl/i9dk3q>



Did we do alright? Please spread the love!

If you are happy with your product, tell your friends and family about us or even better leave us a review online. Spreading the word gives us the opportunity to make more people happy and keep our prices low for your next purchase.

Brooklyn Burden

Founder, Nathan James