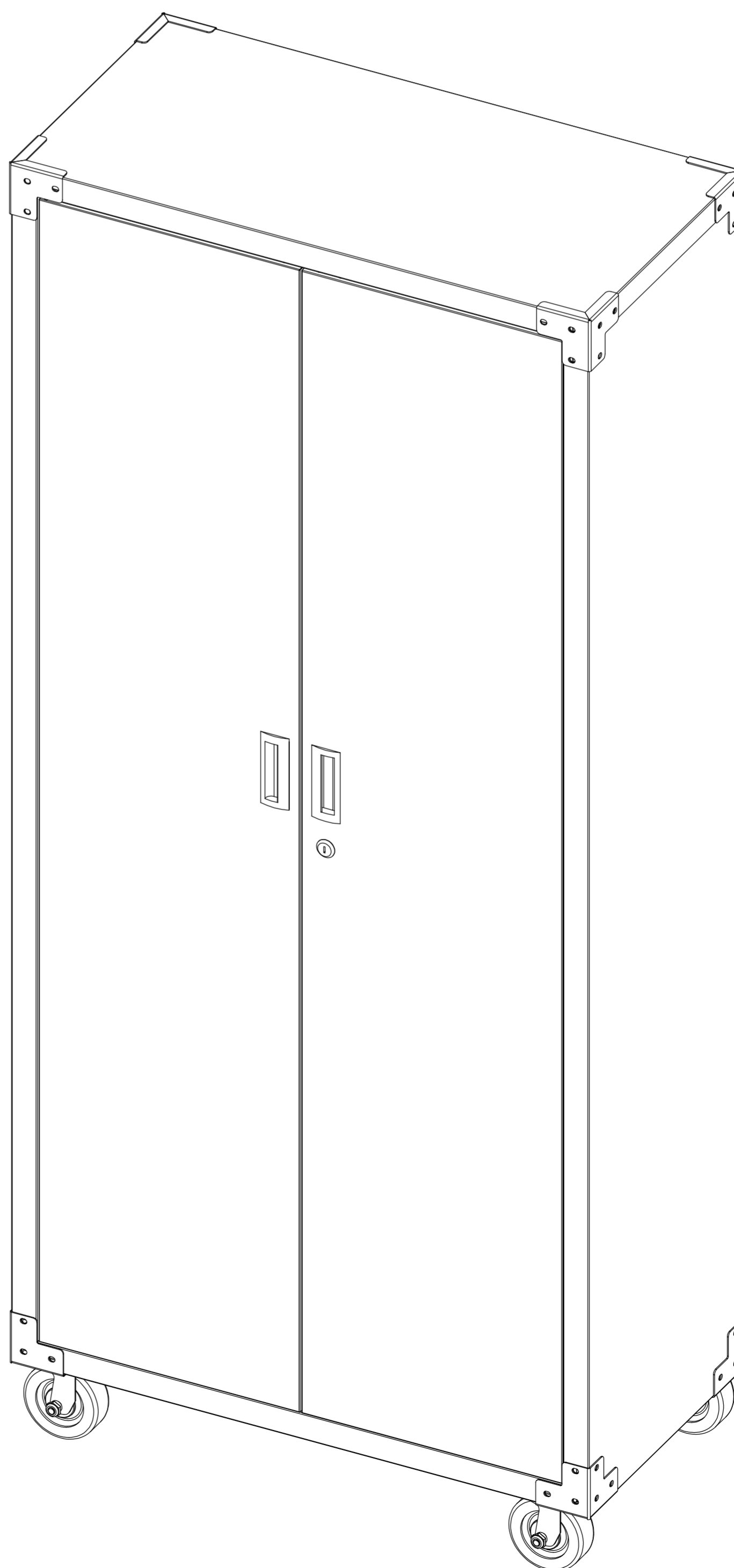
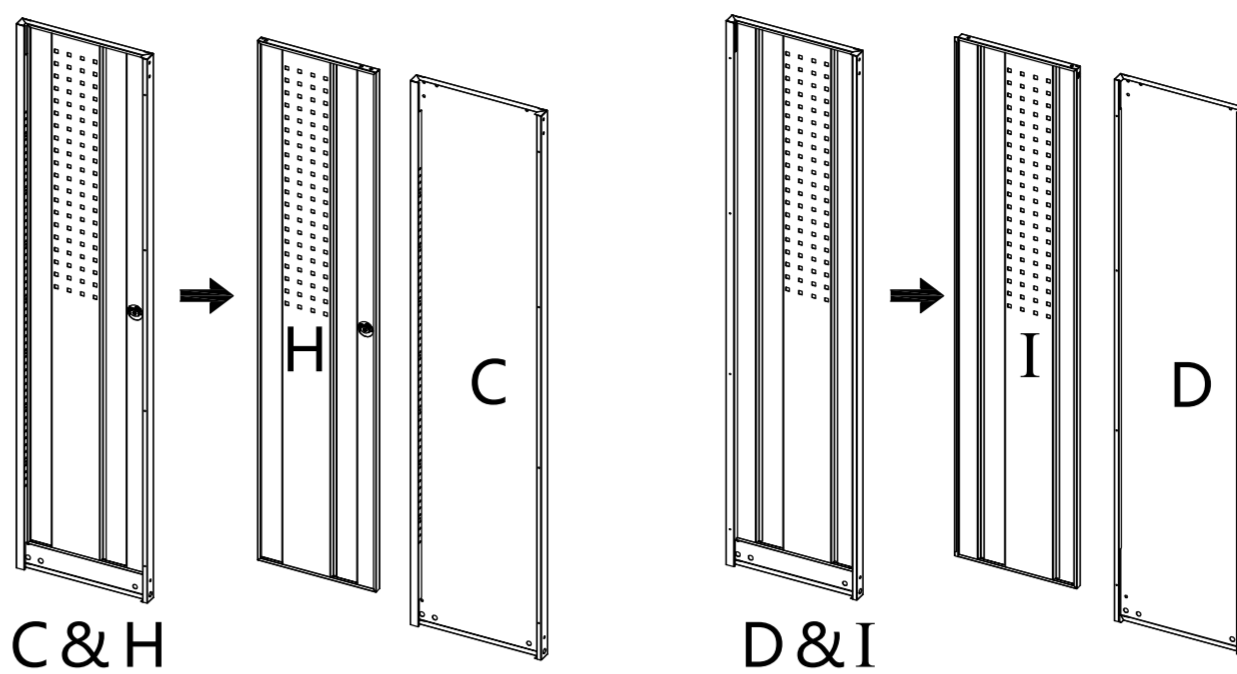




WARNING!

For smooth assembly you can use a power screwdriver
wear safety glasses and gloves when using tools.

Attention!Attention! The H panel and the I panel are embedded within the C side panel and the D side panel; they need to be removed during the assembly process.



THANK YOU FOR CHOOSING US!

Your new wheeled metal cabinet has arrived and it will make your life so much easier. That's why we put so much effort into designing it to perfectly fit your needs.

But first things first, we need to install it!

When we say “we” , we mean we're going to guide you, step by step. We created this instructions manual so that you won't feel overwhelmed and get your new wheeled metal cabinet up and ready to use in no time! We also know that sometimes things just don't seem to fit, so don't hesitate to drop us if you have questions or need help!

Anyways, this wheeled metal cabinet CAN'T WAIT To BE OF SERVICE so let's assemble it!

MISSING A PART? DON'T WORRY, WE GOT YOUR BACK!

Compare the sketch on the next page with your package. Are all the pieces there? However, sometimes errors happen,so if anything is missing just send us an email and we will make sure to fix it!

Before you start, here are a few quick pointers:

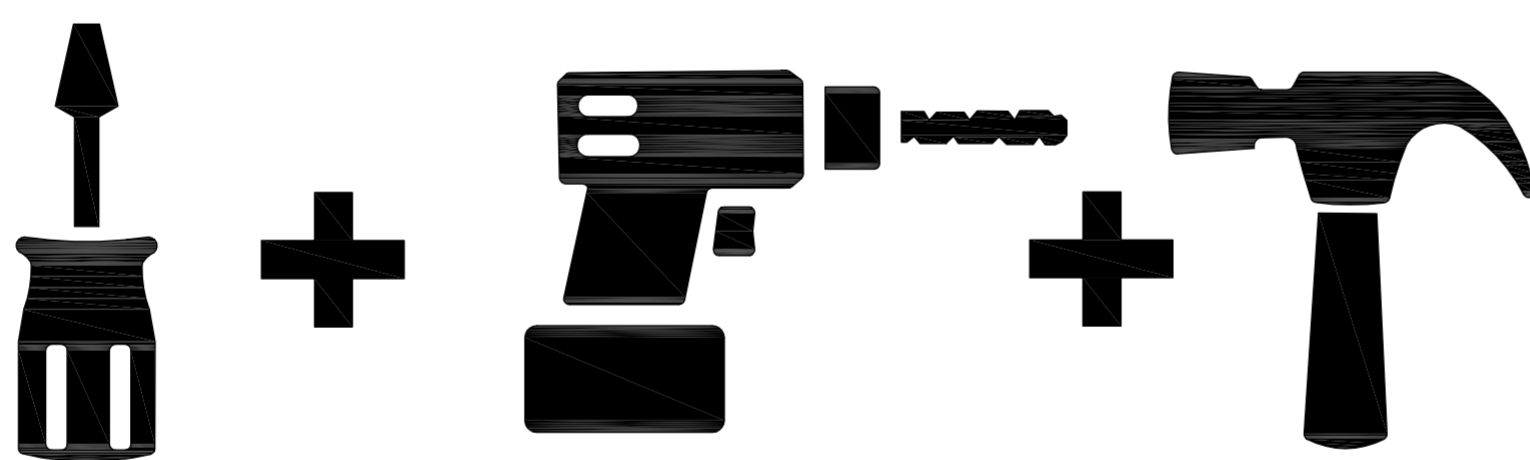
The installation requires two people. so call a friend to join the fun!

For more stability, it's best to anchor the cabinet to the wall.

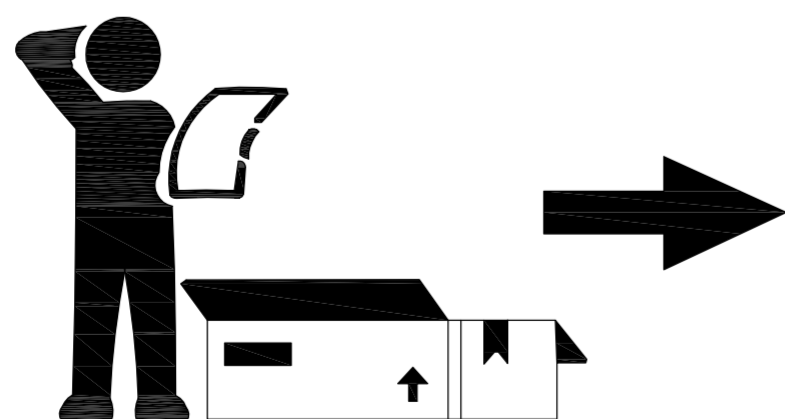
In this case, along with the items provided you will also need a **Level, Percussion Drill and a Hammer**



**SUGGEST
2PEOPLE**



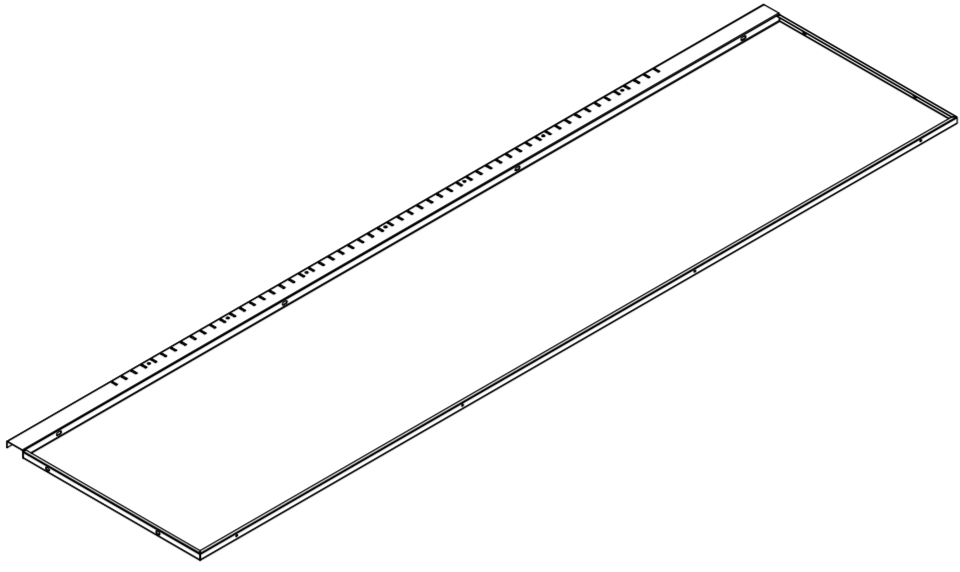
**TOOLS
REQUIRED**



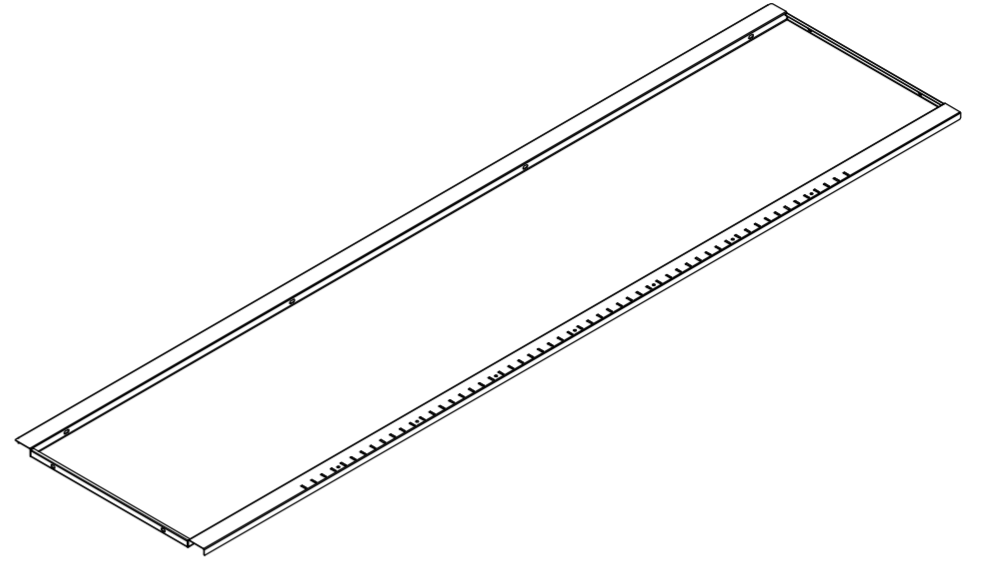
**WE ARE
GLAD TO
HELP**

PARTS LIST

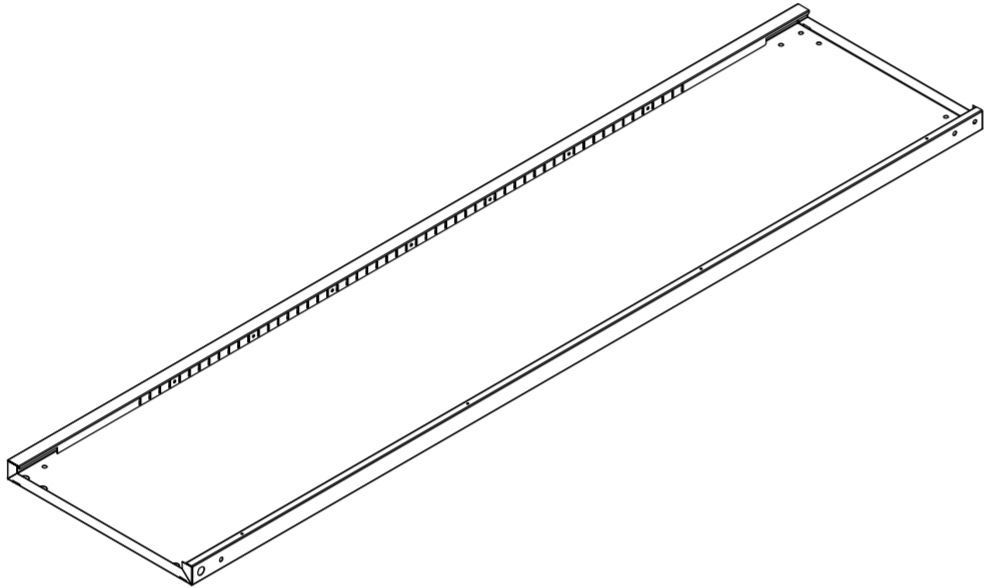
A*1



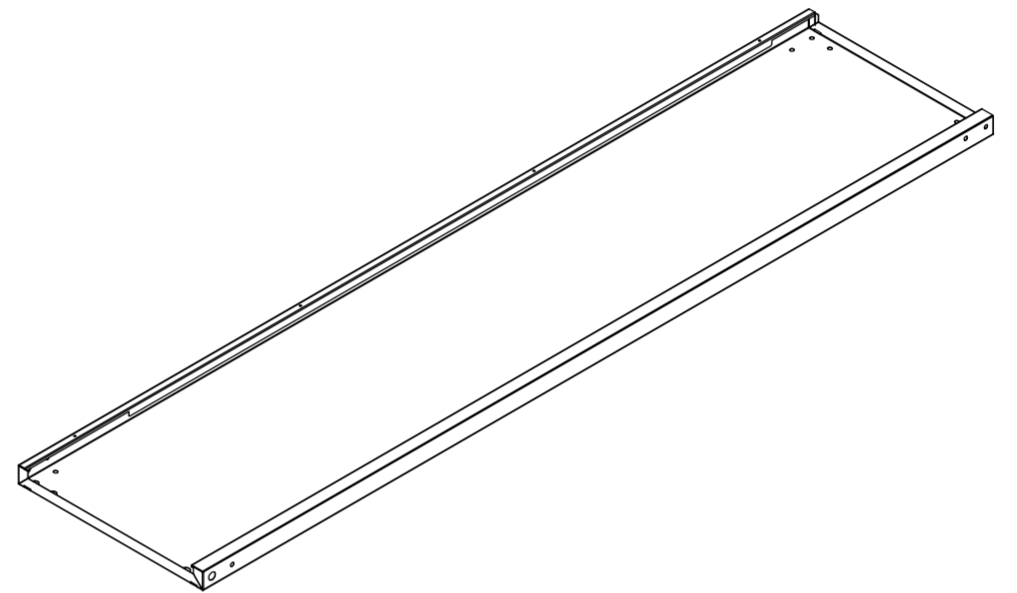
B*1



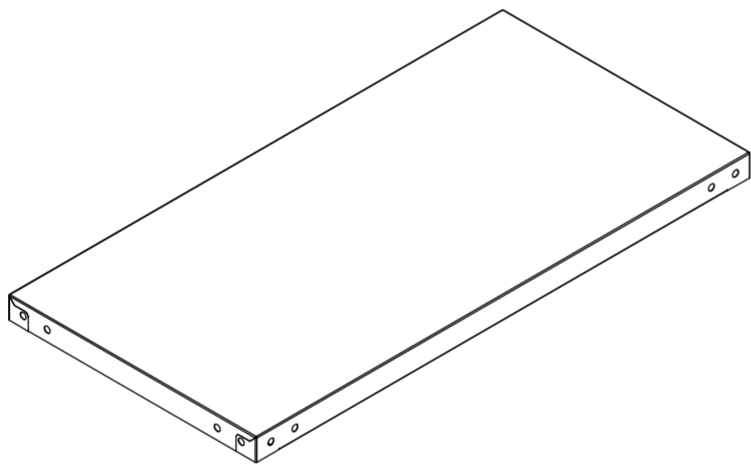
C*1



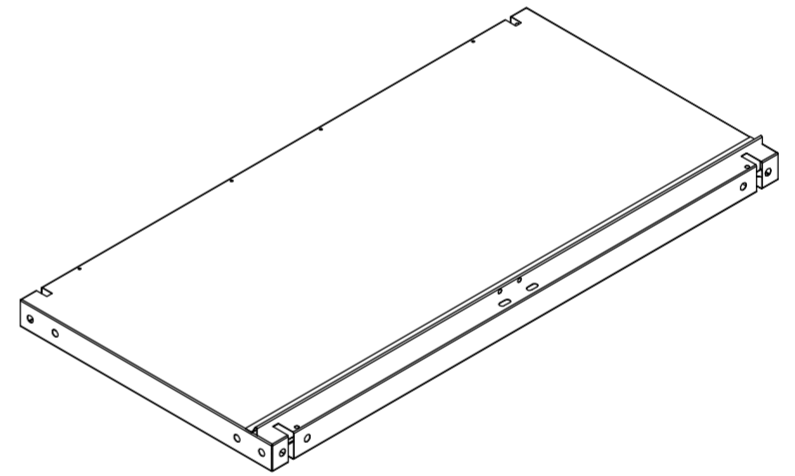
D*1



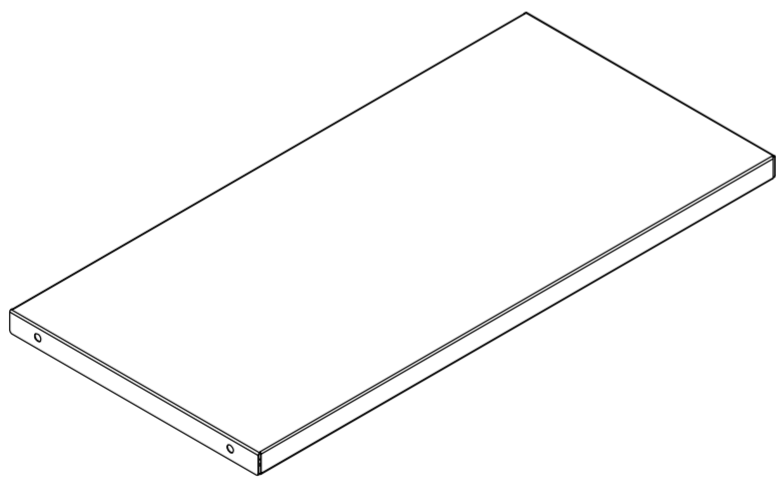
E*1



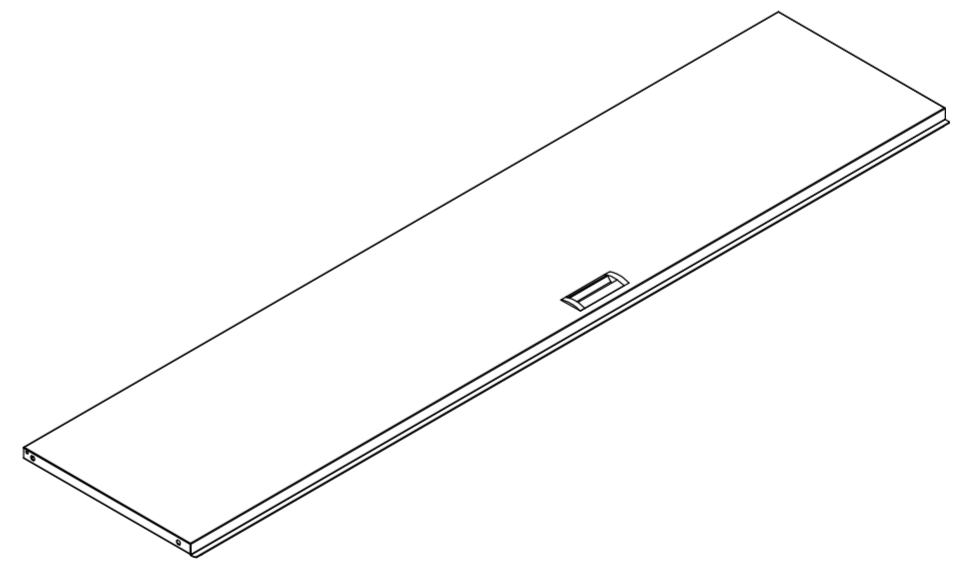
F*1



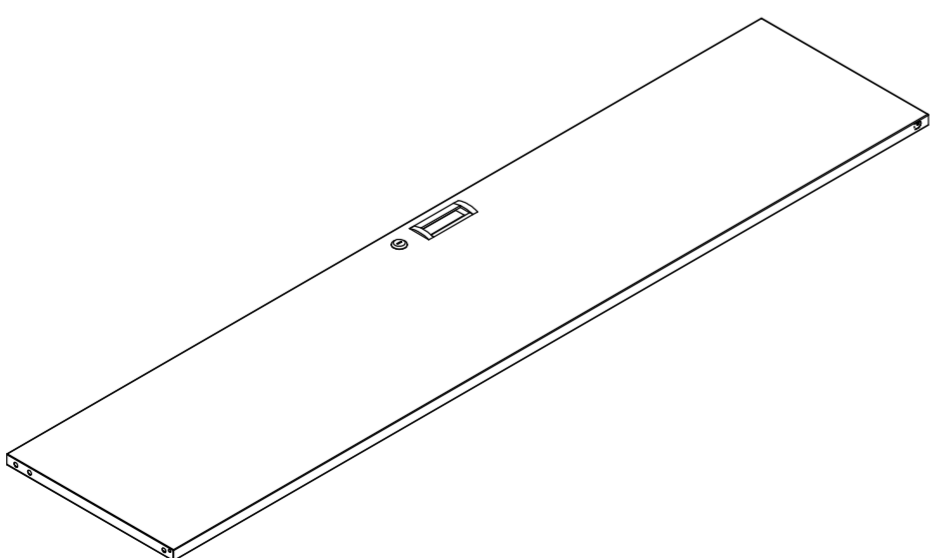
G*4

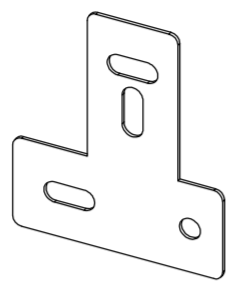


H*1

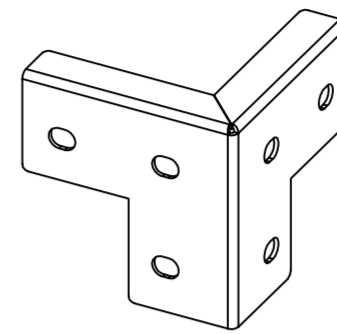


I*1

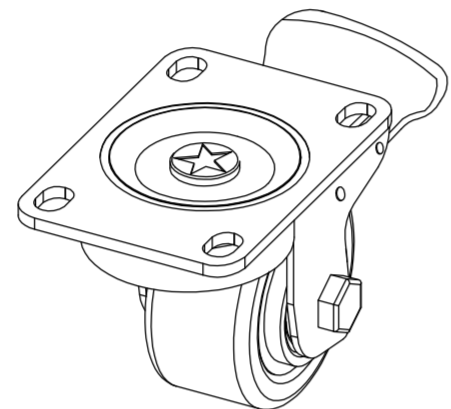




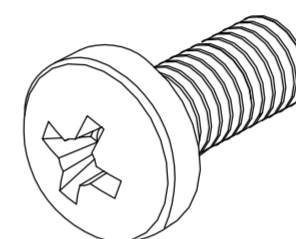
K*2



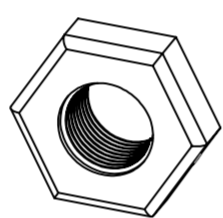
L*8



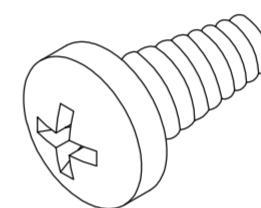
M*4



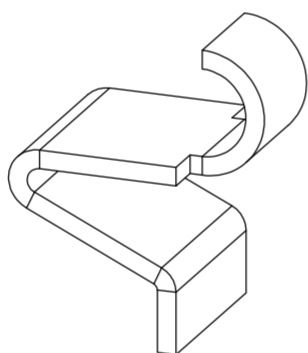
N*64



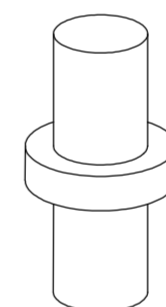
O*32



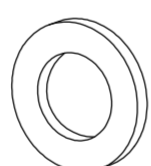
P*20



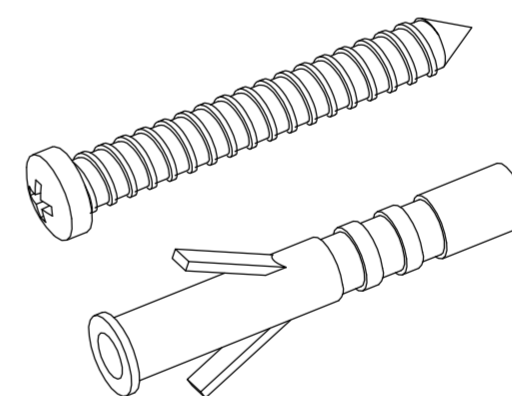
Q*16



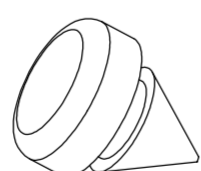
R*2



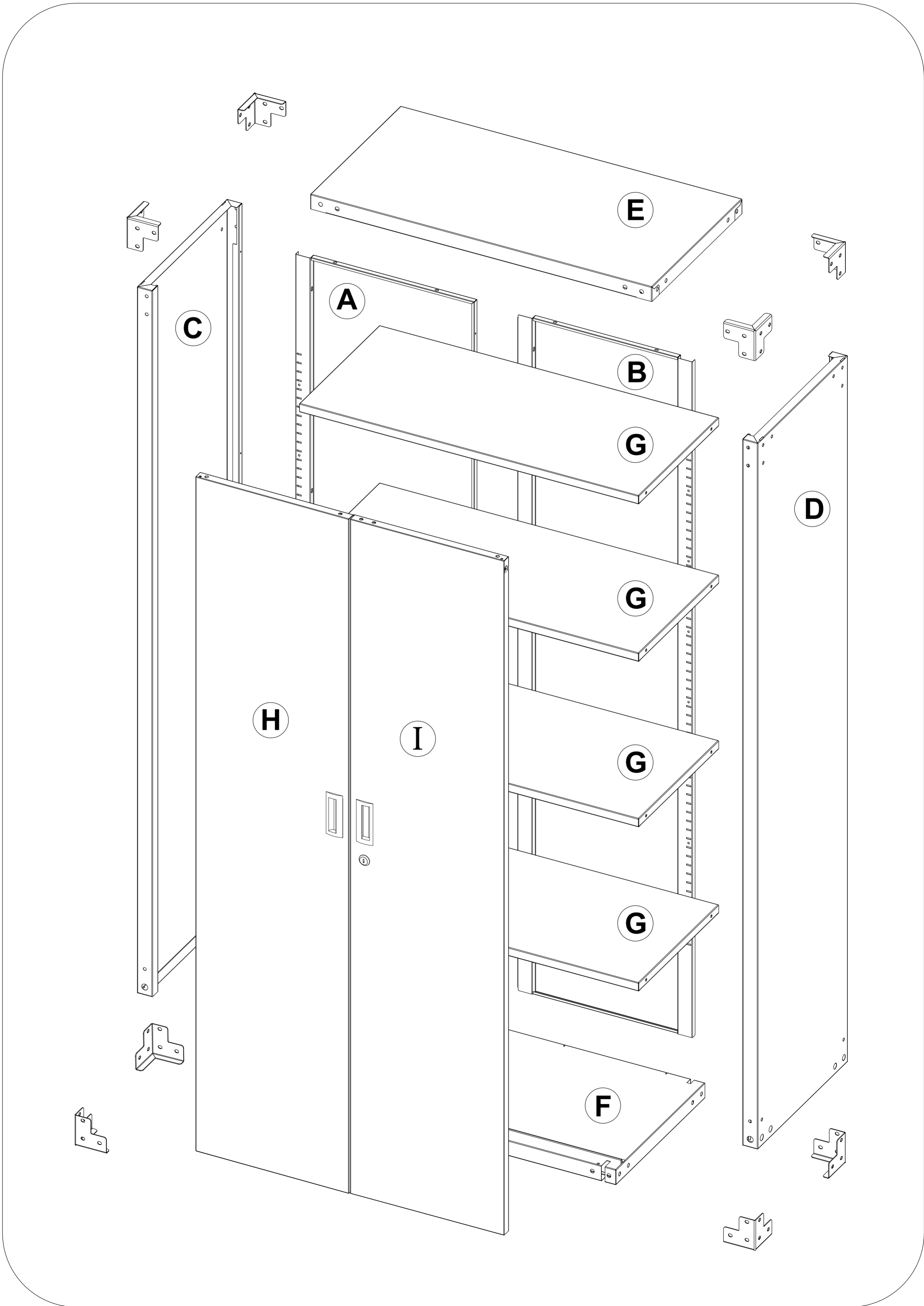
S*4



T*2

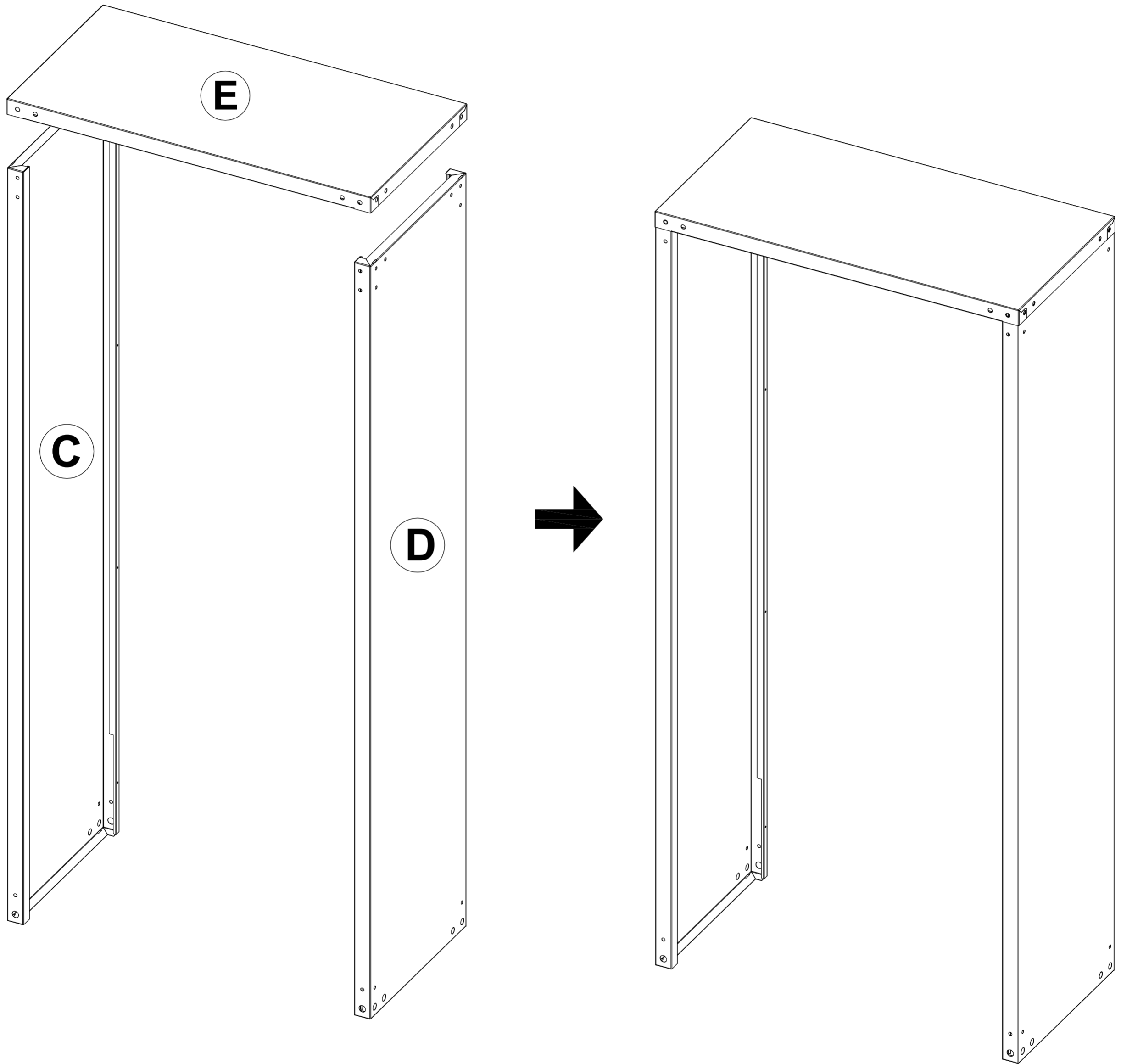


U*4



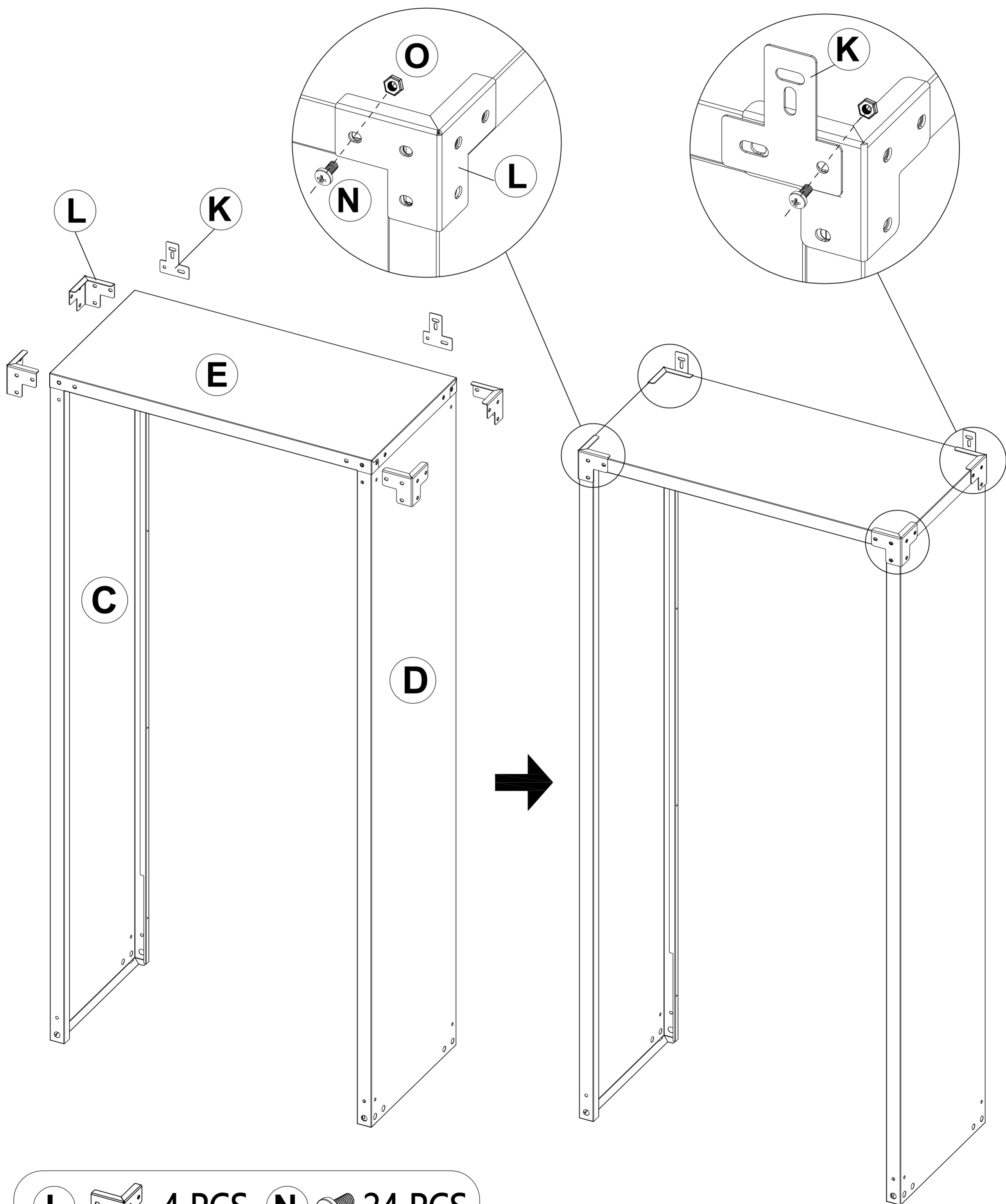
Step 1

Connect to the side panel C, side panel D, and top panel E.



Step 2

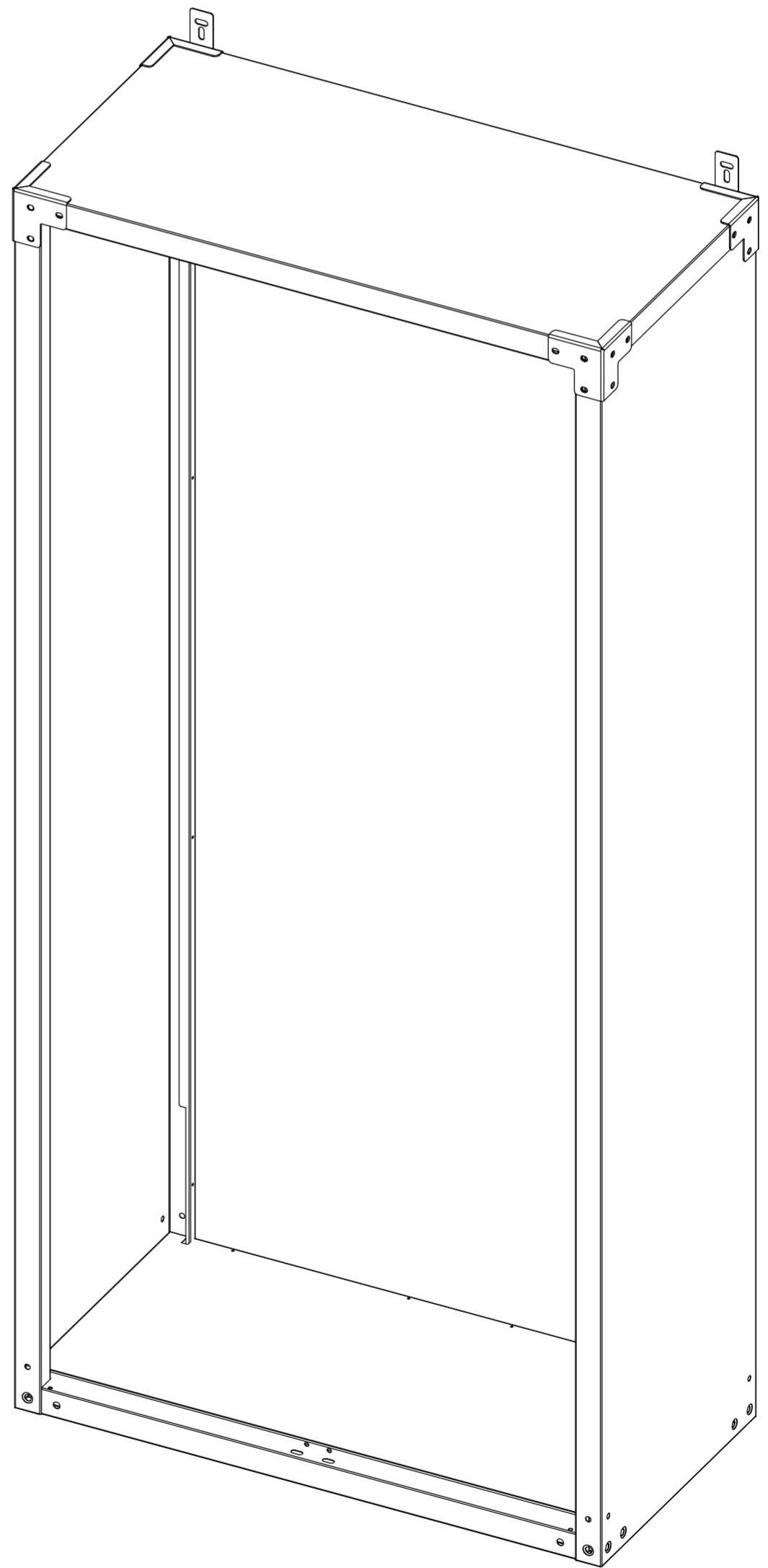
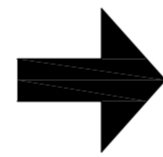
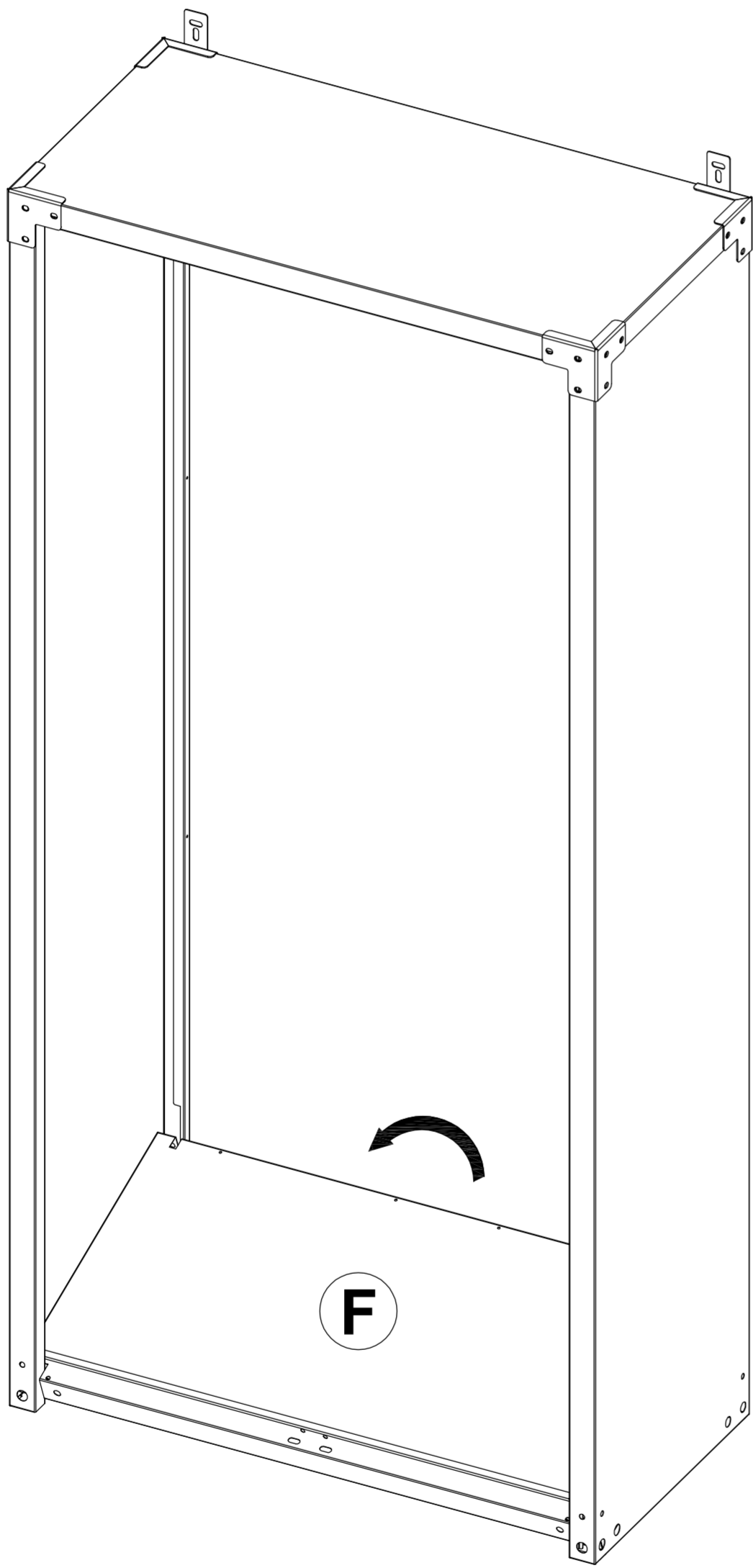
The corner guard L connected to the side panel C, side panel D, and top panel E with screws N and nuts O. Please select install anti-tip K behind the top panel.



- | | | | | | |
|----------|--|---------------|----------|--|---------------|
| L | | 4 PCS | N | | 24 PCS |
| O | | 24 PCS | K | | 2 PCS |

Step 3

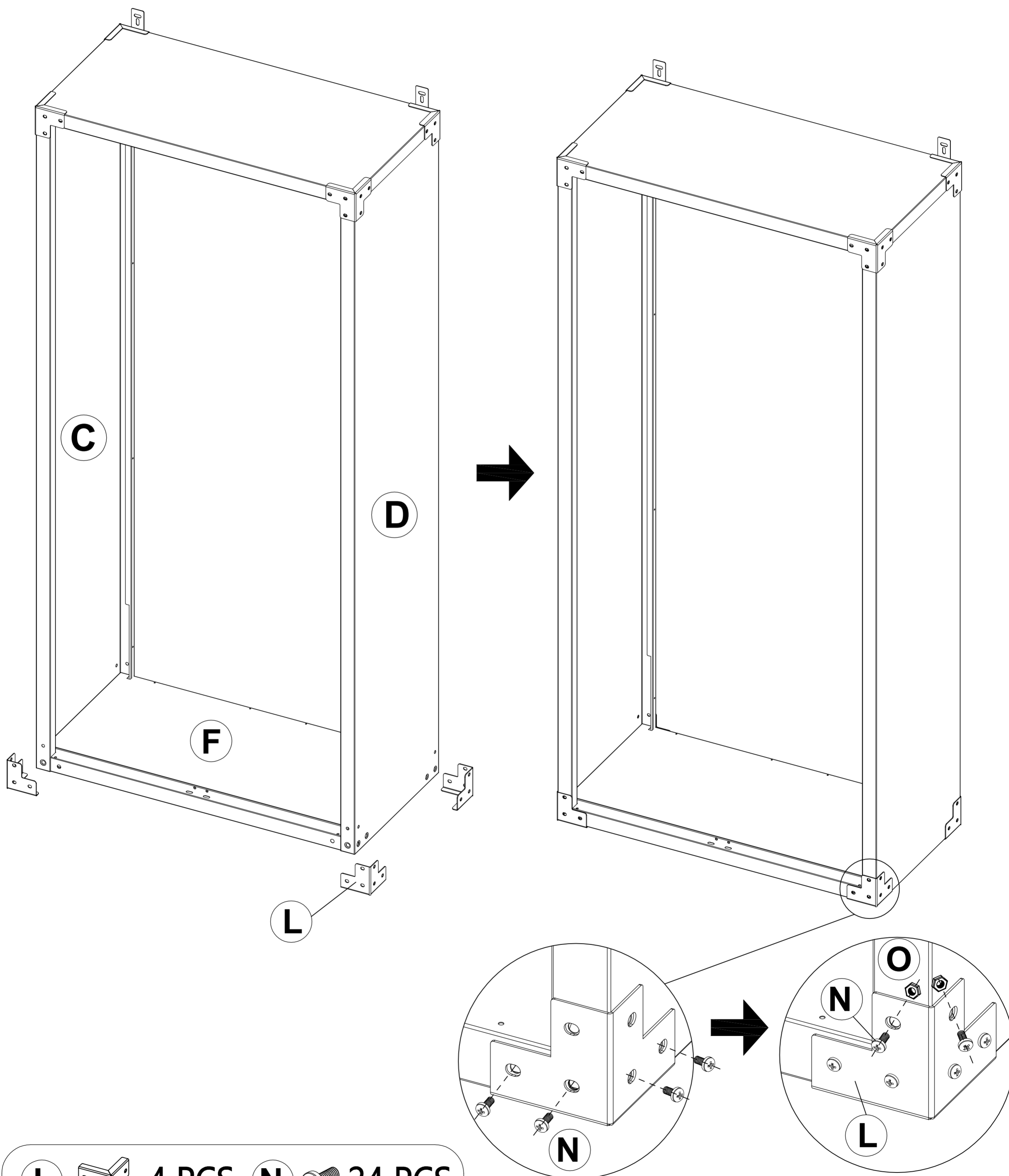
Install the bottom panel.



Step 4

Corner protector L connects side panel C, side panel D, and bottom panel F with 16 screws N.

Corner protector L connects side panel C, side panel D, with 8 screws N and nuts O.

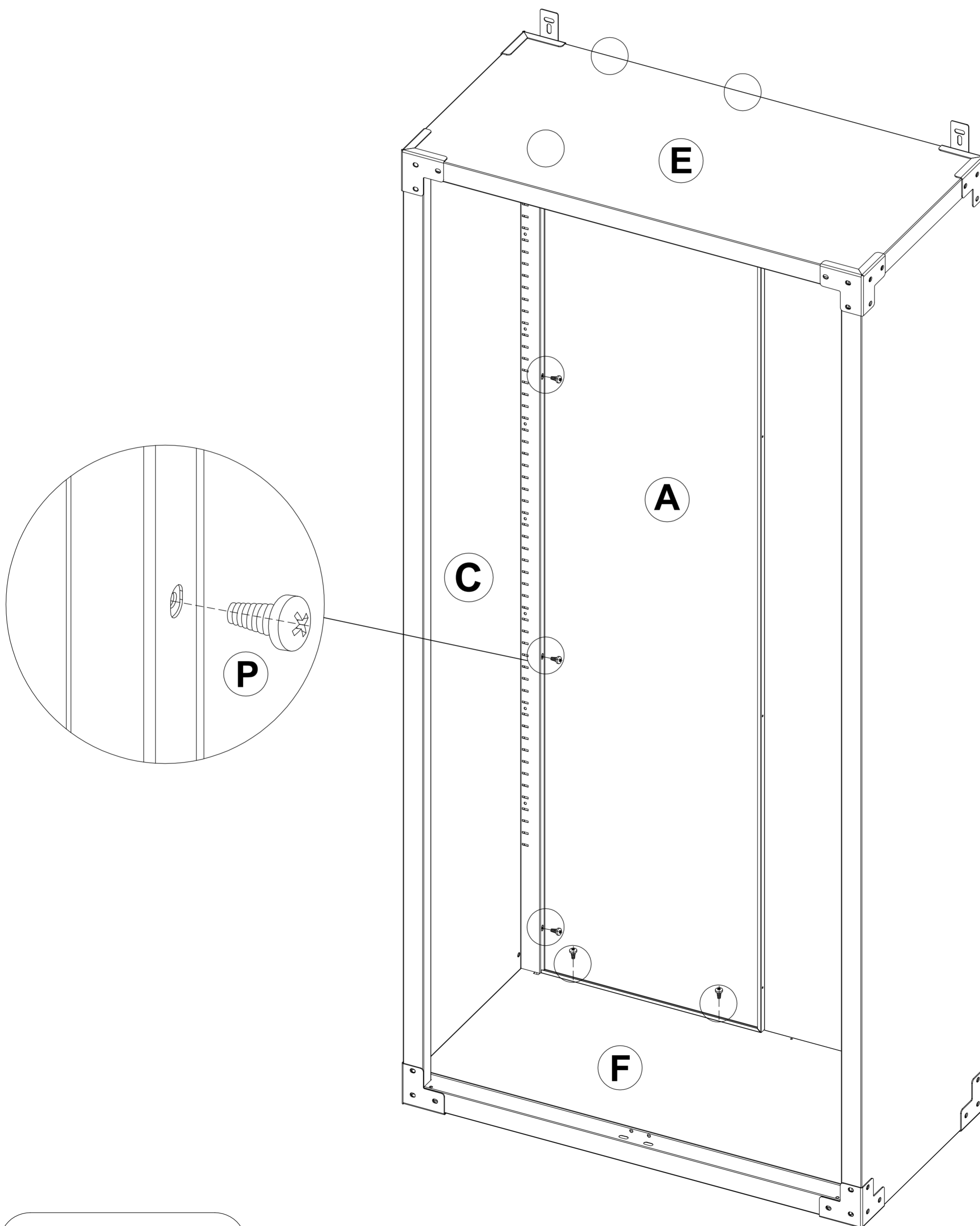


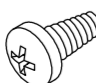
L  4 PCS **N**  24 PCS

O  8 PCS

Step 5

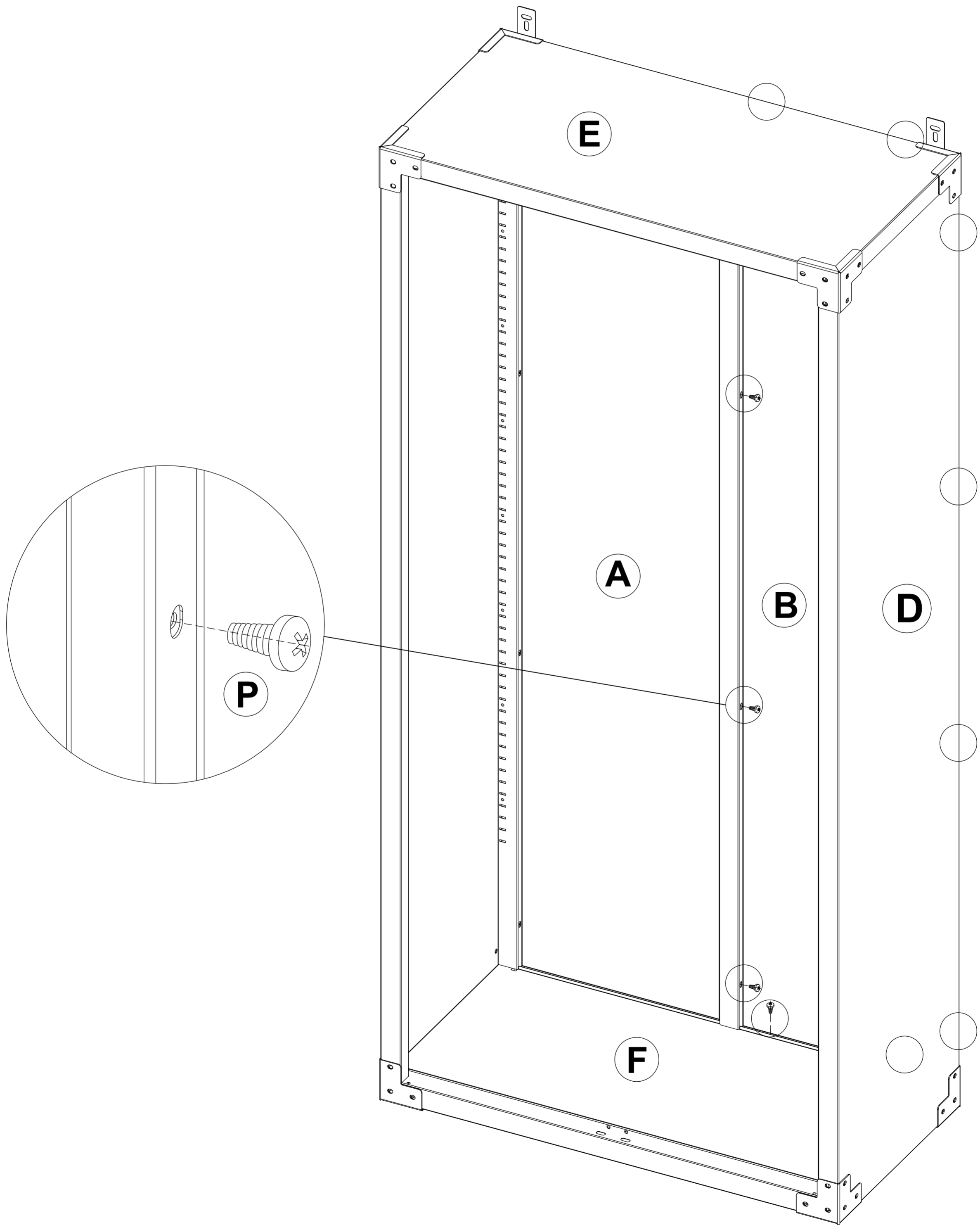
Connect backboard A to Side plate C bottom plate F and top panel E, then align the hole position and secure with screw P.



P  8 PCS

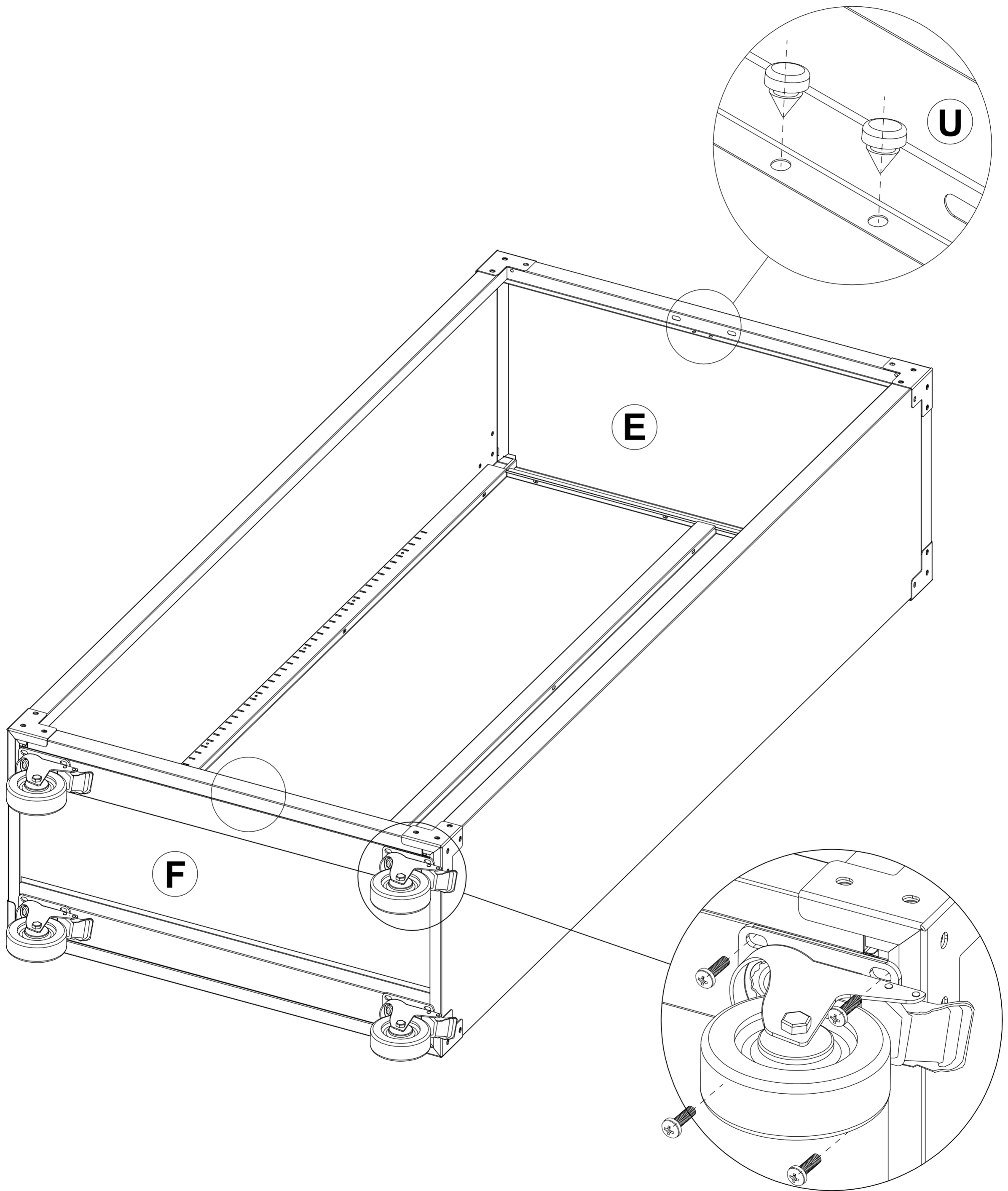
Step 6

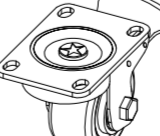
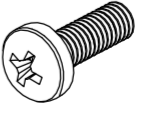

Connect backboard B to Backboard A Side plate D bottom plate F and top panel E, then align the hole position and secure with screw P.



P  12 PCS

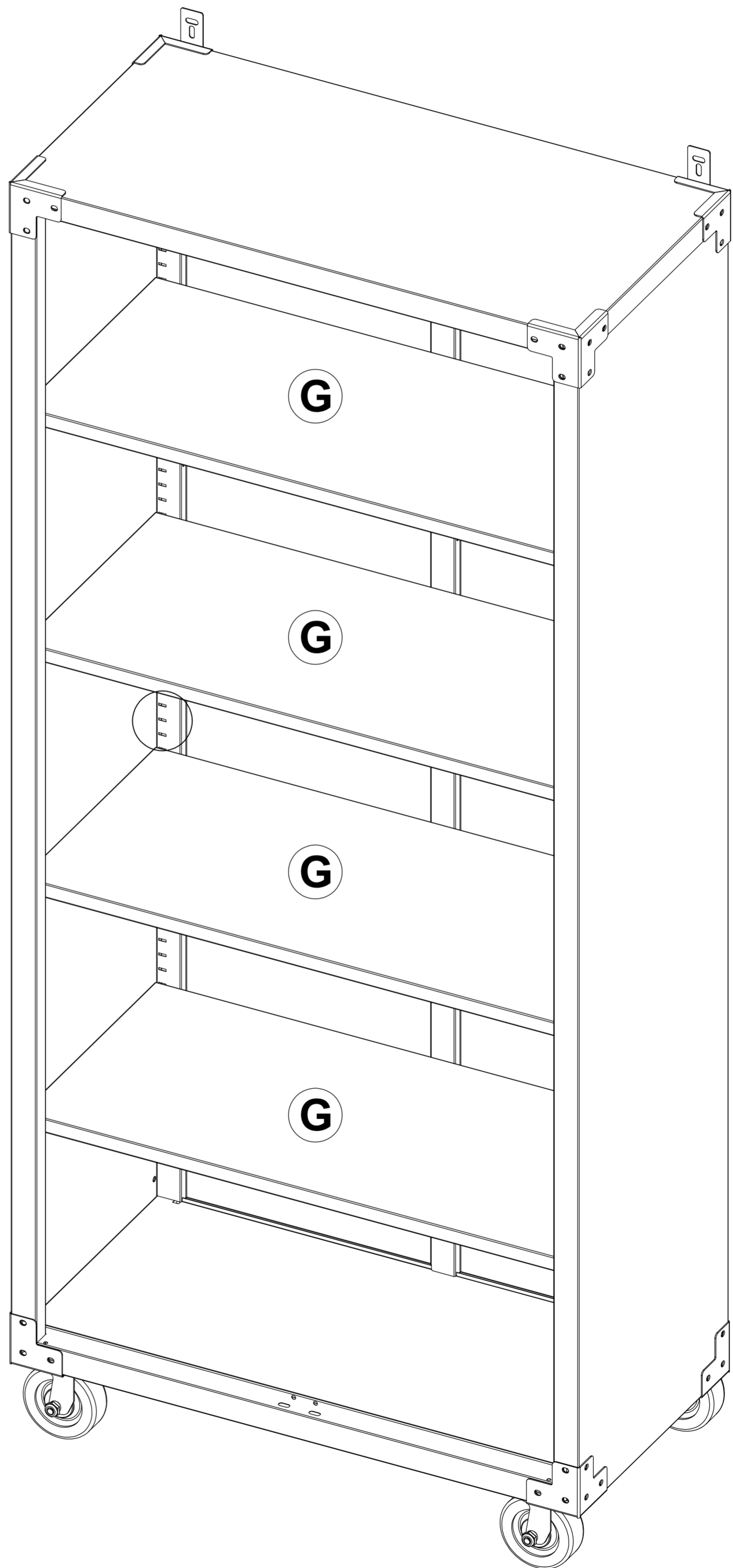
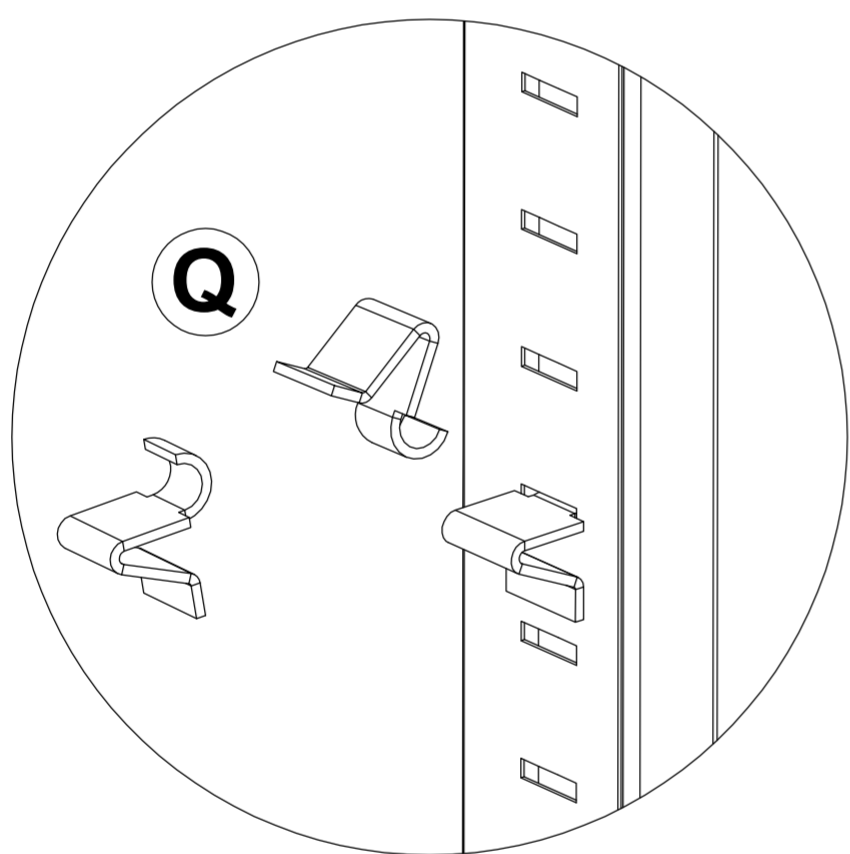
Step 7 Install 4 wheels M on the bottom plate F with 16 screws N. Install U on the bottom plate F and the top plate E above it.

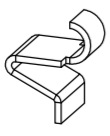


- | | | | | | |
|----------|---|-------|----------|---|-------|
| M |  | 4 PCS | N |  | 16PCS |
| U |  | 4 PCS | | | |

Step 8

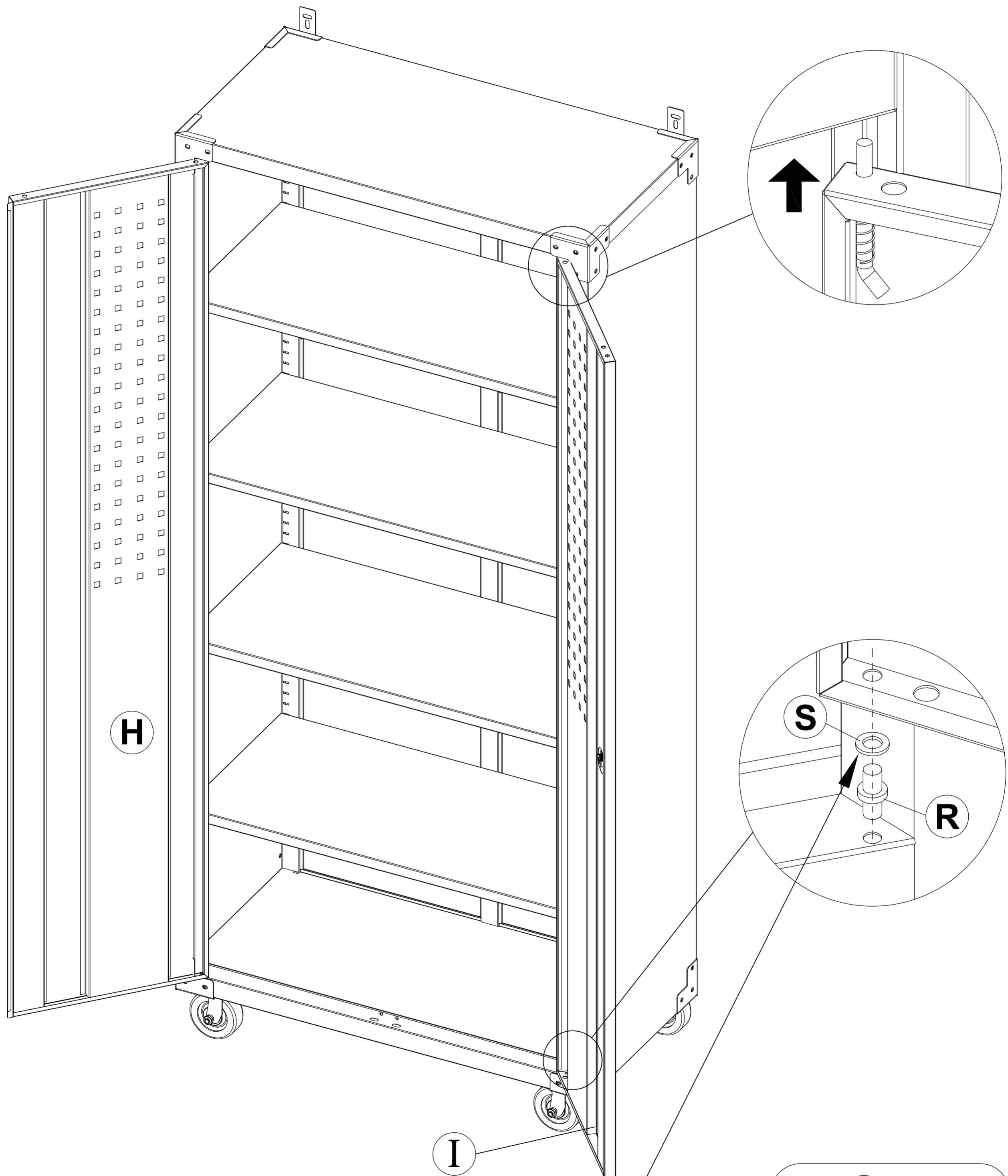
Add the shelf bracket Q and the shelf G.



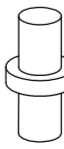

Q  16 PCS

Step 9

Insert the metal post R and the washer S into the bottom hole on both sides then press the spring door shaft to enter the door shaft hole.



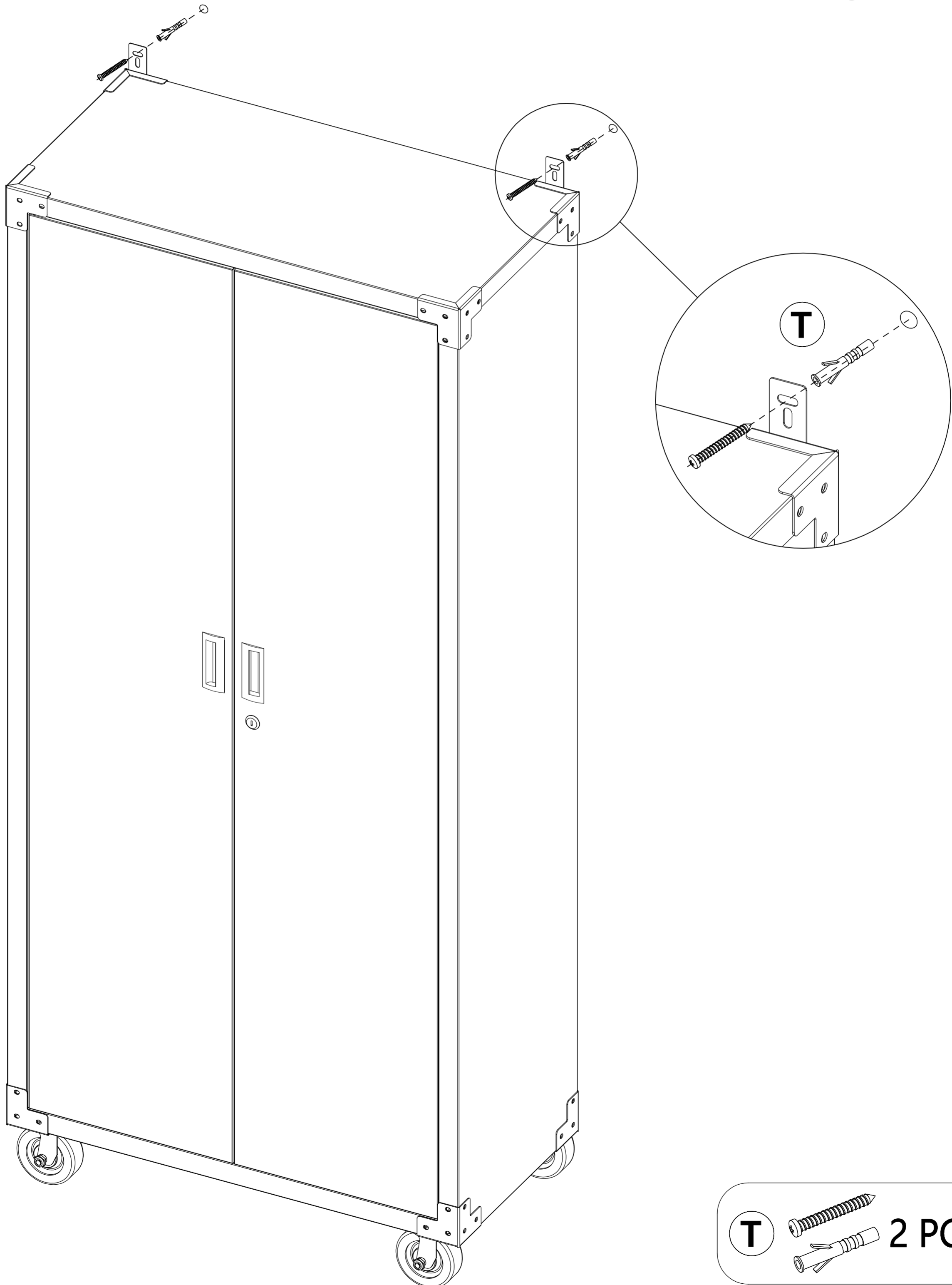
The number of washer used can be adjusted according to the actual situation.

- | | | |
|----------|---|-------|
| R |  | 2 PCS |
| S |  | 4 PCS |

Step 10

Wall Anchor Screw "T" through anti-tip K holes and fastens to the wall.

Wall



Step 11

This Product is designed for stationary use only.
Do not use it with any type of mobile cabinet conversion device.

