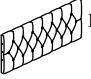


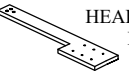
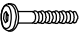





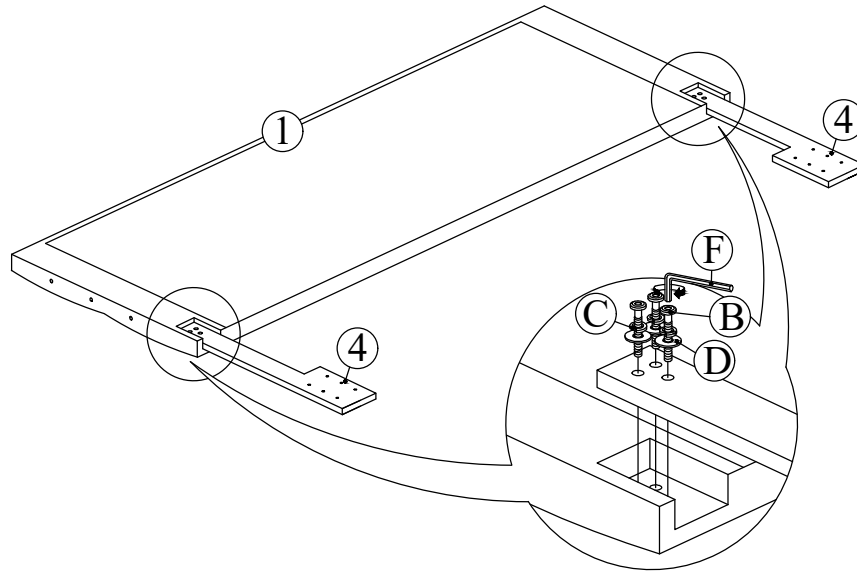


# ASSEMBLY INSTRUCTION

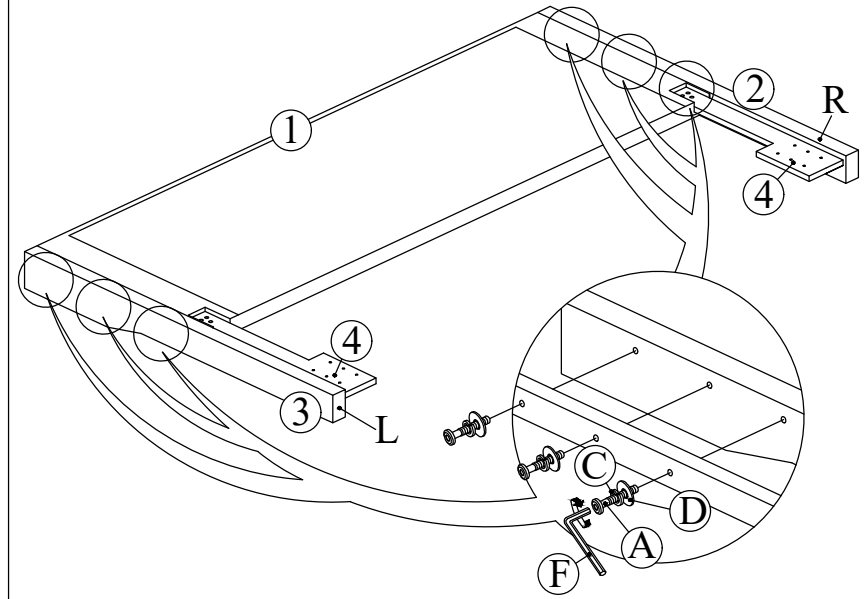
FULL BED / QUEEN BED  
(HEADBOARD ONLY)

NO	PART LIST	QTY
1	 HEADBOARD CUSHION	1PC
2	 WING (RIGHT)	1PC
3	 WING (LEFT)	1PC
4	 HEADBOARD LEG	2PCS
ITEM	HARDWARE	QTY
A	 JCBB SCREW M6x35MM	6PCS
B	 JCBB SCREW M6x50MM	10PCS
C	 SPRING WASHER M6x12MM	16PCS
D	 FLAT WASHER M6x19MM	20PCS
E	 HEX NUT M6x19MM	4PCS
F	 L-KEY M4x65MM	1PC

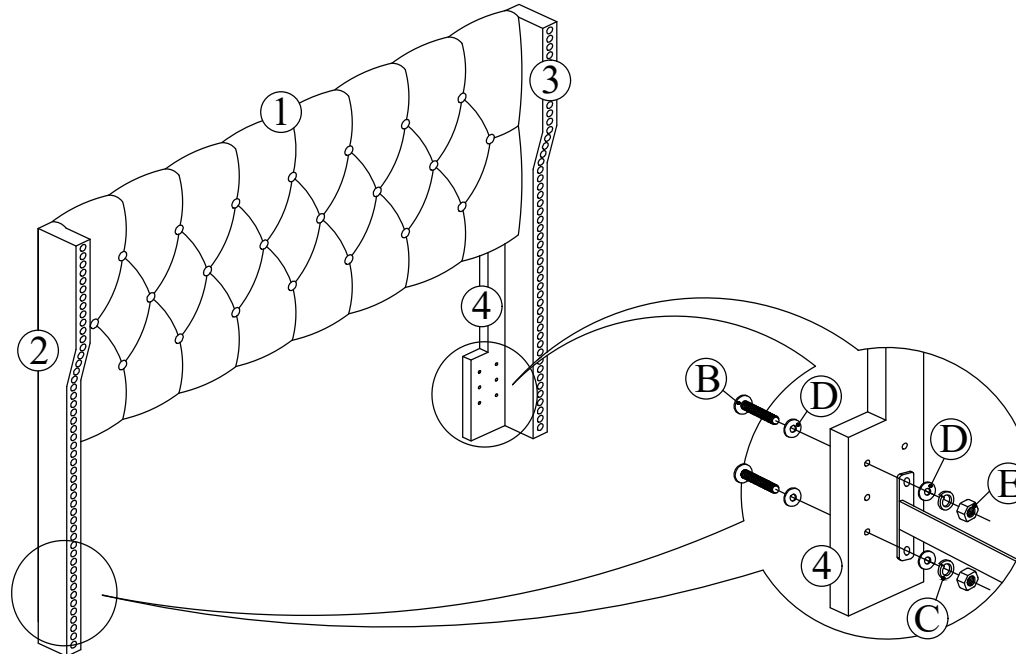
STEP 1



STEP 2



STEP 3



**\*ATTENTION\***

Parts are inside  
the Headboard

NOTE: AFTER A FEW DAYS OF ASSEMBLY, IT WILL HAVE ACCLIMATIZED TO THE ENVIRONMENT. PLEASE TIGHTEN ALL HARDWARE. CHECK TIGHTNESS OF ALL SCREWS EVERY 6-8 WEEKS.