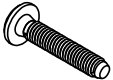




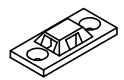







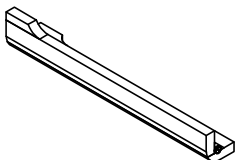
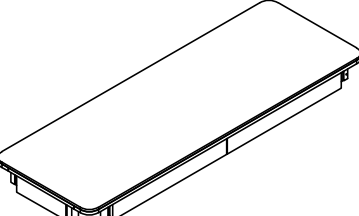
# ASSEMBLY INSTRUCTIONS


3600007

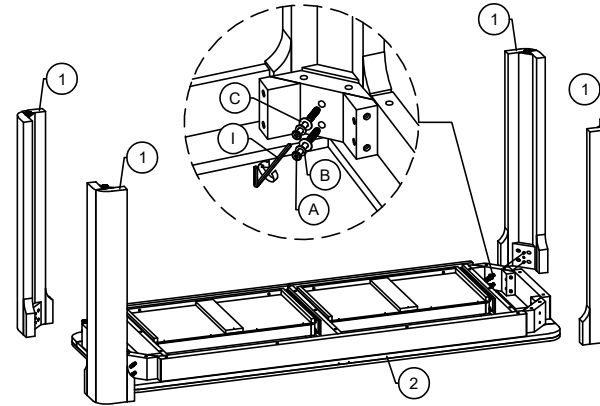
## HARDWARE

<b>A x 8</b>  M8 X 70 mm	<b>B x 8</b>  Ø13 X 1.5 mm	<b>C x 8</b>  Ø18 X 1 mm	<b>D x 2</b>  38 mm	<b>E x 2</b>  19 mm
<b>F x 2</b>  20 X 47 mm	<b>G x 2</b>  20 X 47 mm	<b>H x 1</b>  20 X 47 mm	<b>I x 1</b>  20 X 47 mm	<b>J x 2</b>  23 X 138 mm
<b>K x 4</b>  22 mm				

## PARTS

<b>1 x 4</b> 	<b>2 x 1</b> 
---	---

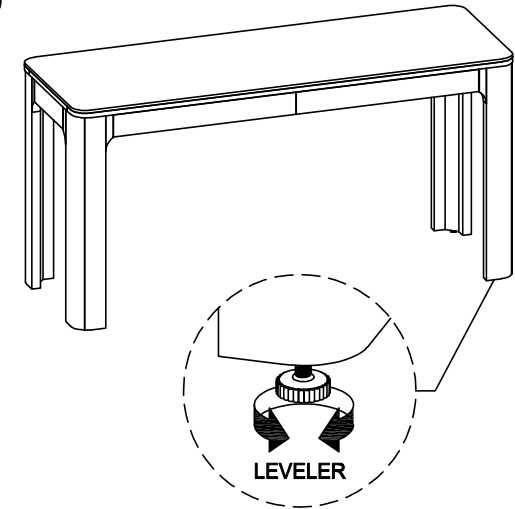
(1)  **CAUTION** : Due to the weight of this item, two people are recommended for safe lifting and assembly.



 Assemble on a clean non-marring surface (such as the product's packing foam)

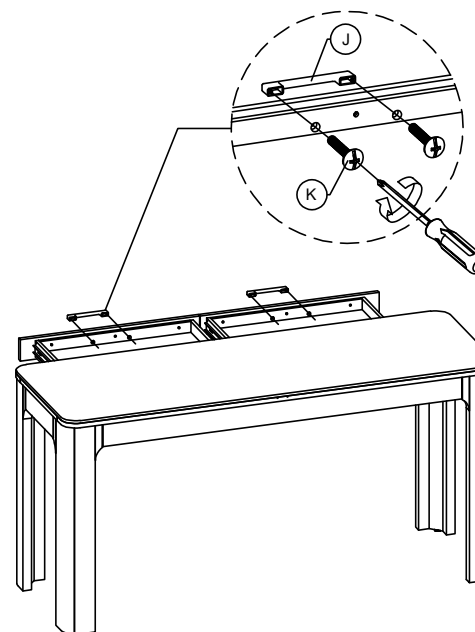
- Place the Top Panel (2) on the floor. Attach one leg (1) to corner of the Top Panel (2) using Bolt(A), Lock Washer(B), and Flat Washer(C). Secure each leg with the Allen Key (I).
- Repeat this step for the remaining three legs (1).

(2)



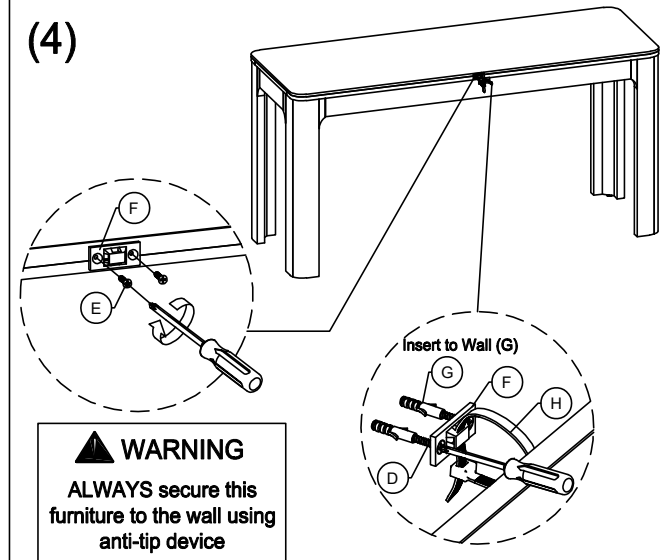
- Stand the Desk upright, then adjust the levelers located at the bottom of each Leg (1). Turn them outward, counterclockwise, to help compensate for uneven surfaces.

(3)



- Open the drawer, then attach Handle (J) to the front panel of the drawer using Long Screws (K) and tighten them with a screwdriver.

(4)



### WARNING

ALWAYS secure this furniture to the wall using anti-tip device

- Final step : Install the Anti-Tip Bracket (F) to the Top Panel using the Short Screws (E) in the pre-drilled holes provided. Use a screwdriver for installation.
- Make sure to complete this step. Attach the Anti-Tip Bracket (F) to the wall (where the wall plug (G) has been installed) using the Long Screws (D) and tighten them with a screwdriver.
- Secure the Anti-tip Bracket (F) with the Anti-tip Strap (H).