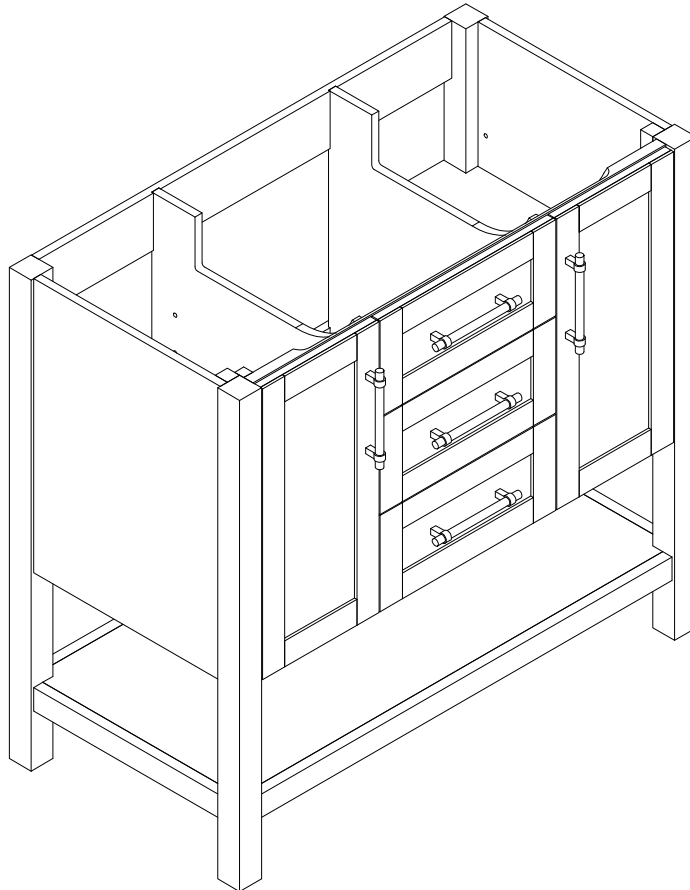


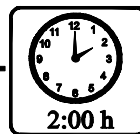
# ASSEMBLY INSTRUCTIONS

## BATH VANITY-CABINET



Thank you for purchasing this quality product. Be sure to check all packing material carefully for small parts which may have come loose inside the carton during shipment. Separate, identify and count all parts and hardware. Compare with the parts list to be sure all parts are present.  
**"DO NOT TIGHTEN SCREWS UNTIL COMPLETELY ASSEMBLED"**

**\* Use of power tool to assemble this product will invalidate any claim and damage this product making unsafe !!!**  
**\* Please assemble on a clean soft surface to avoid damage.**



### Tools Required



(Not included)



(Not included)

**IMPORTANT:**

**PLEASE READ INSTRUCTION BEFORE STARTING THE ASSEMBLY**

**Thank you for buying our products.**

**Please read the installation manual carefully before installation,**

**we need you to follow the instructions on the accessories and hardware**

**step by step assembly complete, our instructions are very detailed.**

**Products are environmentally friendly products,**

**Please rest assured that you do not soak in water, do not place very heavy items,**

**do not malicious push and pull,**

**if you have any problems in the process of assembly and use, please contact us.**

**Thank you again for your purchase of our products,**

**I wish you a happy life.**

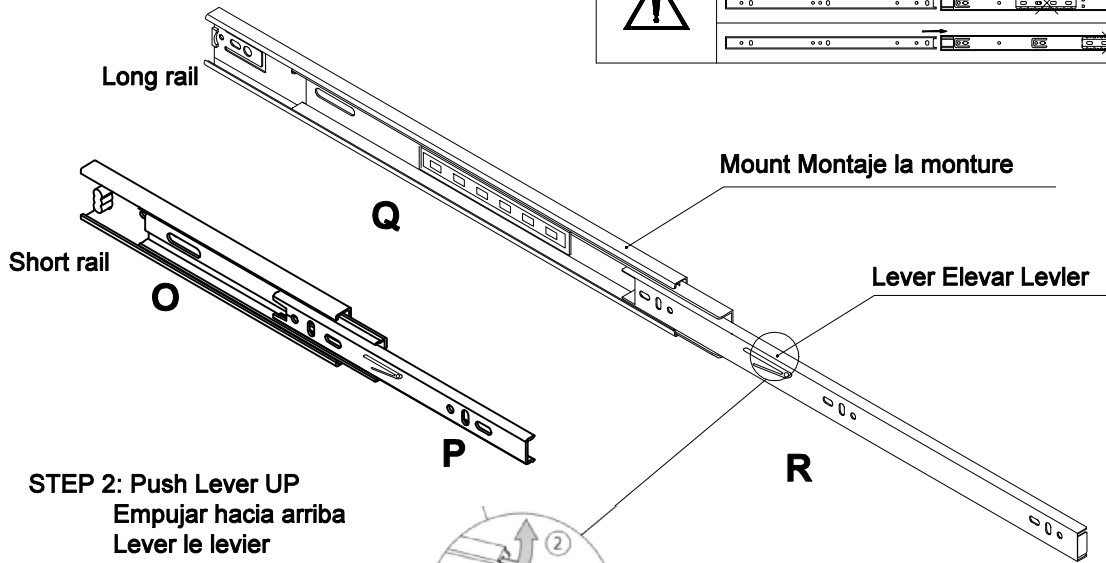
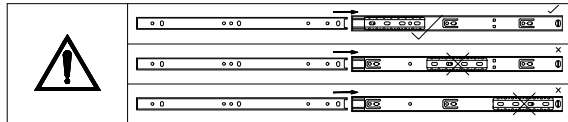
**Slides Must Be Separated Before Assembly.  
After Separated, Set Aside Until Needed for Assembly.**

Las diapositivas deben separarse antes del montaje.  
Después de la separación, déjelo a un lado hasta que sea necesario.

Les glissières doivent être séparées avant l'assemblage.  
Après la séparation, mettez de côté jusqu'au moment de l'assemblage.

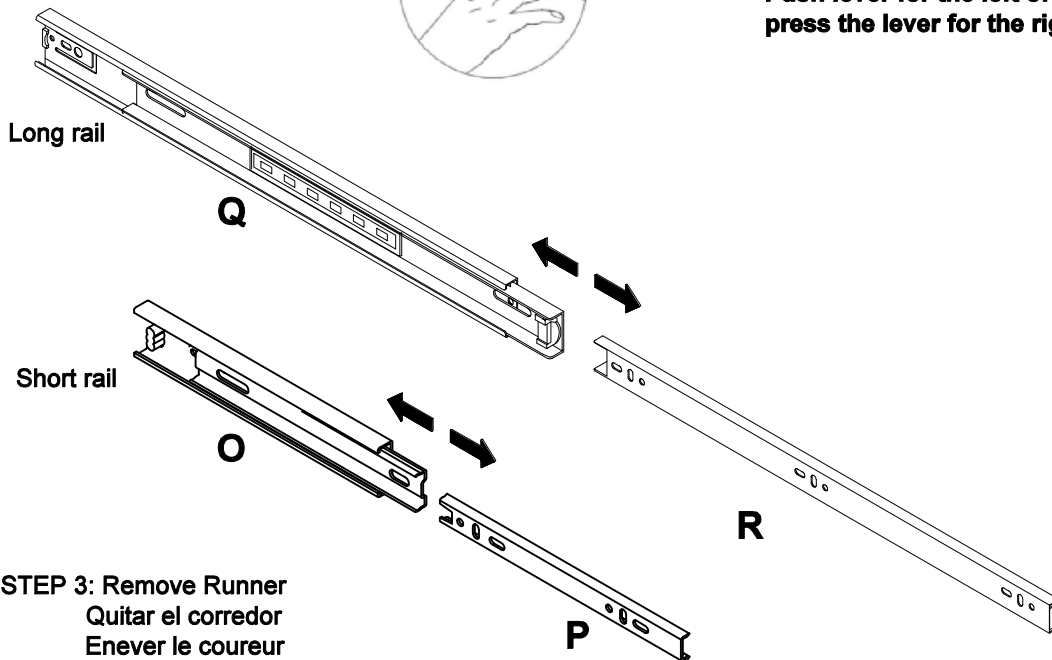
**Pay attention when connecting !  
The sliding module must be at the front end.**

**STEP 1 : Extend Slide  
Extender la diapositiva**



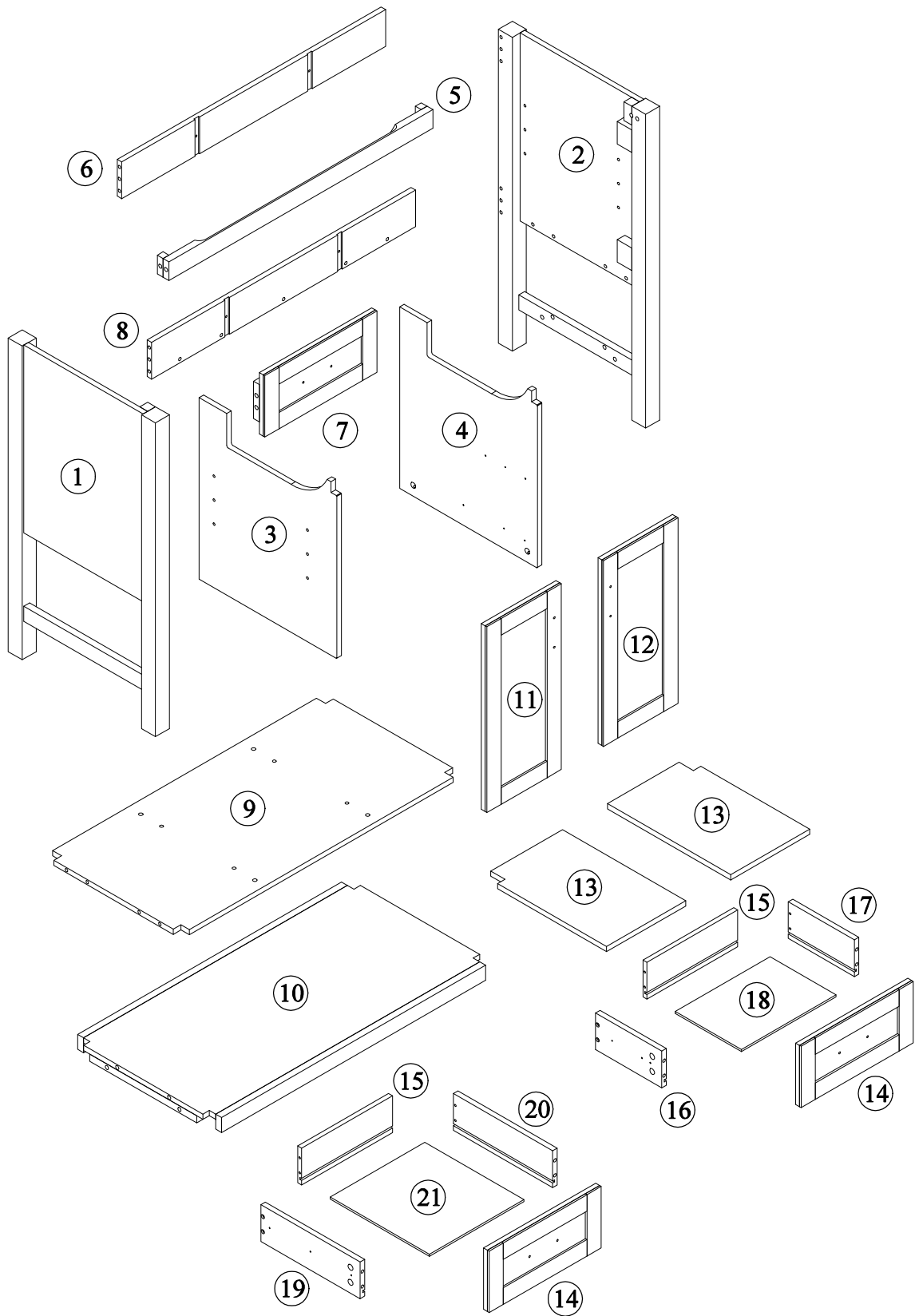
**STEP 2: Push Lever UP  
Empujar hacia arriba  
Levier le levier**

**Push lever for the left of drawer ,  
press the lever for the right of drawer.**



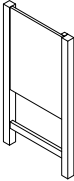
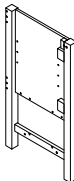
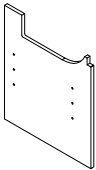
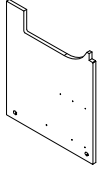
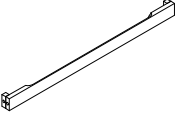
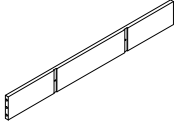
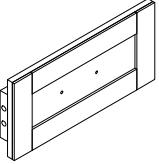
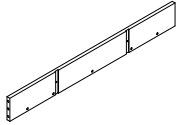
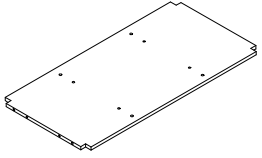
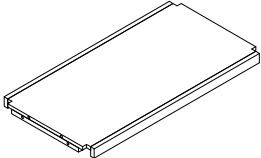


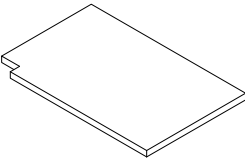
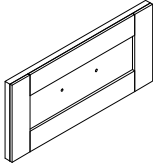
**STEP 3: Remove Runner  
Quitar el corredor  
Enlever le coureur**

# Detail View - CABINET

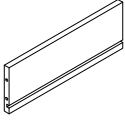
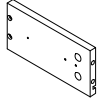
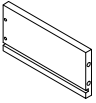
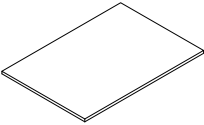
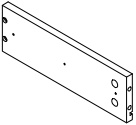
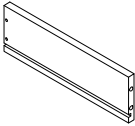
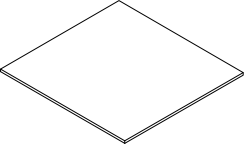


**Identifying the Hardware**-Identify the hardware using the illustrations below.



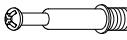



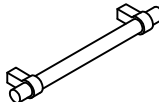
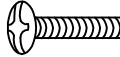
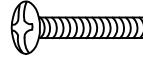


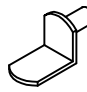


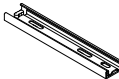

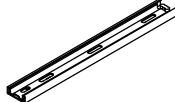
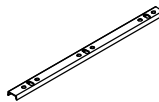



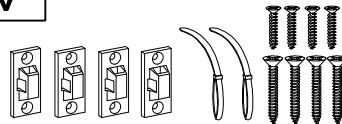
# Part List - WF312771

<p><b>1</b></p>  <p><b>Side Panel (L) - 1pc</b></p>	<p><b>2</b></p>  <p><b>Side Panel (R) - 1pc</b></p>
<p><b>3</b></p>  <p><b>Panel Mid (L) - 1pc</b></p>	<p><b>4</b></p>  <p><b>Panel Mid (R) - 1pc</b></p>
<p><b>5</b></p>  <p><b>Front Crossbar Top - 1pc</b></p>	<p><b>6</b></p>  <p><b>Rear Panel Top - 1pc</b></p>
<p><b>7</b></p>  <p><b>Fake Drawer - 1pc</b></p>	<p><b>8</b></p>  <p><b>Rear Panel Bottom - 1pc</b></p>
<p><b>9</b></p>  <p><b>Panel Mid - 1pc</b></p>	<p><b>10</b></p>  <p><b>Frame Bottom - 1pc</b></p>
<p><b>11</b></p>  <p><b>Door Cabinet (L) - 1pc</b></p>	<p><b>12</b></p>  <p><b>Door Cabinet (R) - 1pc</b></p>
<p><b>13</b></p>  <p><b>Adjustable Shelf - 2pcs</b></p>	<p><b>14</b></p>  <p><b>Drawer Face - 2pcs</b></p>

# Part List - WF312771

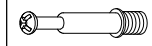
<b>15</b>  Right Drawer Panel Rear - 2pcs	<b>16</b>  Top Drawer Panel Side(L) - 1pc
<b>17</b>  Top Drawer Panel Side(R) - 1pc	<b>18</b>  Panel Bottom - 1pc
<b>19</b>  Bottom Drawer Panel Side(L) - 1pc	<b>20</b>  Bottom Drawer Panel Side(R) - 1pc
<b>21</b>  Panel Bottom - 1pc	<b>22</b>

# Hardware List - WF312771

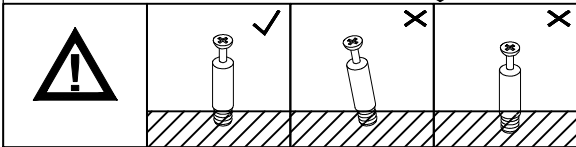
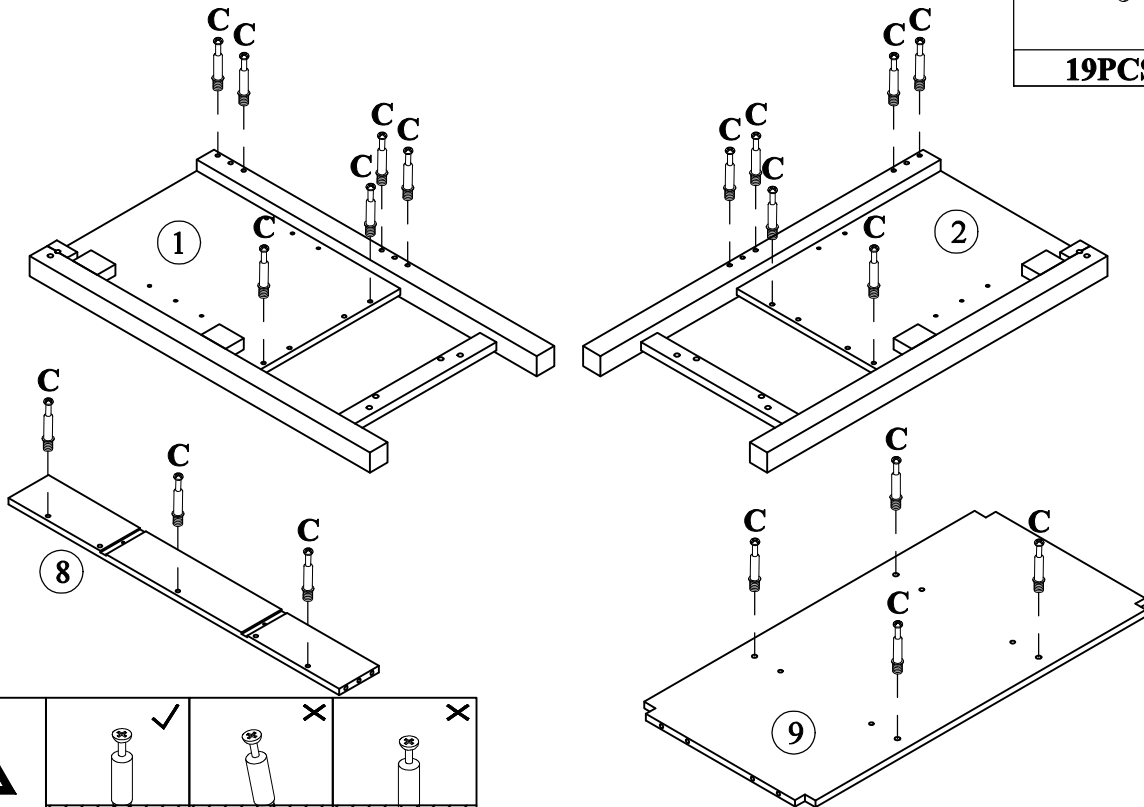
<p><b>A</b></p>  <p><math>\varnothing 13 \times 1/4" \times 28 \text{mm}</math> Hex-Head bolts (10pcs)</p>	<p><b>B</b></p>  <p><math>\varnothing 1/4" \times 16 \times 1 \text{mm}</math> Washer (10pcs)</p>	<p><b>C</b></p>  <p><math>\varnothing 6 \times 35 \text{mm}</math> Three in one bolts (27pcs)</p>
<p><b>D</b></p>  <p><math>\varnothing 14.5 \times 12 \text{mm}</math> Three in one lock (27pcs)</p>	<p><b>E</b></p>  <p><math>\varnothing 8 \times \varnothing 4 \times 25 \text{mm}</math> Round head screw (4pcs)</p>	<p><b>F</b></p>  <p><math>\varnothing 8 \times \varnothing 4 \times 32 \text{mm}</math> Round head screw (8pcs)</p>
<p><b>G</b></p>  <p>Handle (5pcs)</p>	<p><b>H</b></p>  <p><math>\varnothing 5/32" \times 15 \text{mm}</math> Handle screw (6pcs)</p>	<p><b>I</b></p>  <p><math>\varnothing 5/32" \times 20 \text{mm}</math> Handle screw (4pcs)</p>
<p><b>J</b></p>  <p>L-Bracket (2pcs)</p>	<p><b>K</b></p>  <p><math>\varnothing 7 \times \varnothing 3.5 \times 12 \text{mm}</math> Round head screw (4pcs)</p>	<p><b>L</b></p>  <p>Laminate pad (8pcs)</p>
<p><b>M</b></p>  <p>Damping hinge (4pcs)</p>	<p><b>N</b></p>  <p><math>\varnothing 7 \times \varnothing 3.5 \times 15 \text{mm}</math> Flat head screw (24pcs)</p>	<p><b>O</b></p>  <p><math>\varnothing 200 \times 35 \text{mm}</math> Slide rails (2pcs)</p>
<p><b>P</b></p>  <p><math>\varnothing 198 \times 18 \text{mm}</math> Slide rails (2pcs)</p>	<p><b>Q</b></p>  <p><math>\varnothing 300 \times 35 \text{mm}</math> Slide rails (2pcs)</p>	<p><b>R</b></p>  <p><math>\varnothing 298 \times 18 \text{mm}</math> Slide rails (2pcs)</p>
<p><b>S</b></p>  <p><math>\varnothing 6 \times \varnothing 3 \times 12 \text{mm}</math> Flat head screw (24pcs)</p>	<p><b>T</b></p>  <p><math>\varnothing 8 \times 30 \text{mm}</math> Wood dowel (26pcs)</p>	<p><b>U</b></p>  <p>4mm Allen key (1pc)</p>
<p><b>V</b></p>  <p>Anti fall hardware (1set)</p>		

# STEP: 1

**C**



**19PCS**



# STEP: 2

**Q**



**2PCS**

**O**

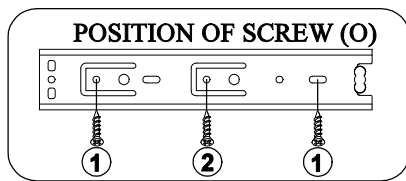
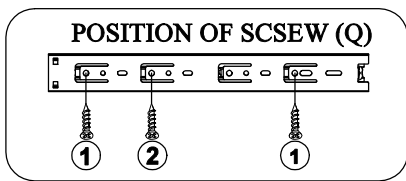
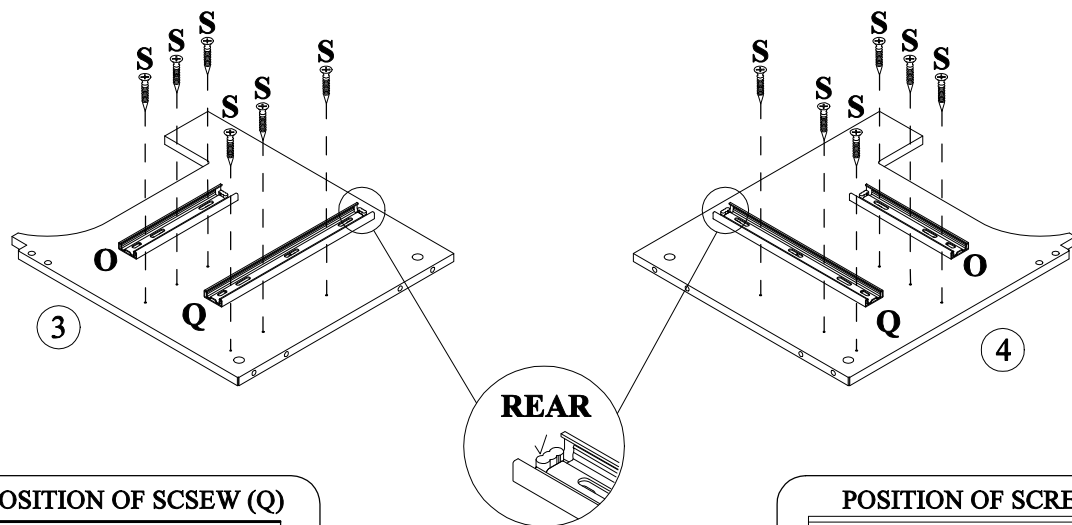


**2PCS**


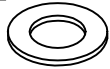
**S**

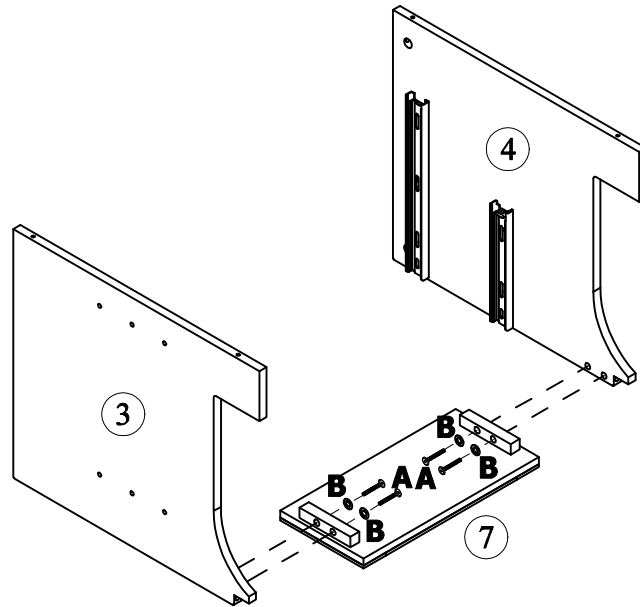


**12PCS**

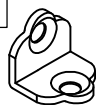




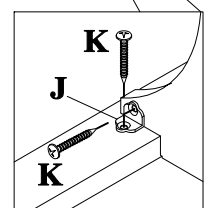
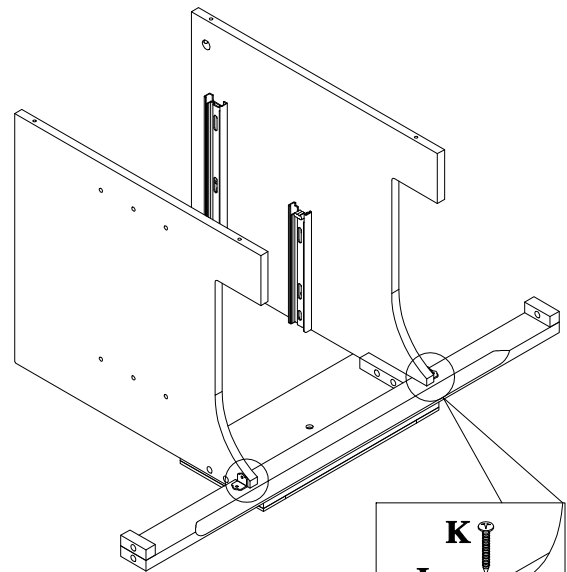
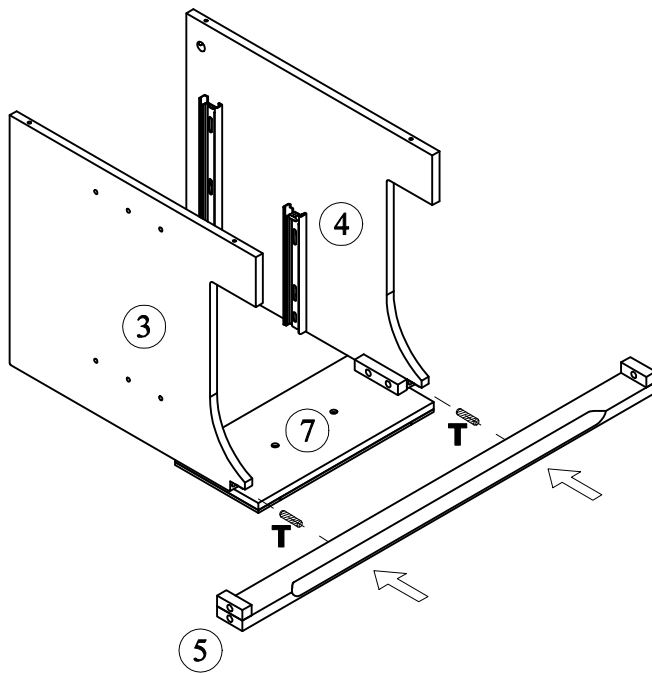
### STEP: 3

<b>A</b>	<b>B</b>
	
<b>4PCS</b>	<b>4PCS</b>


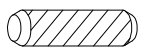


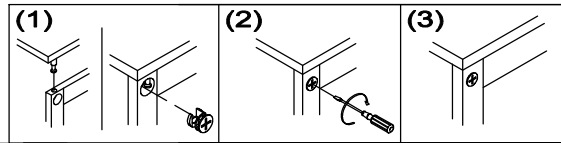
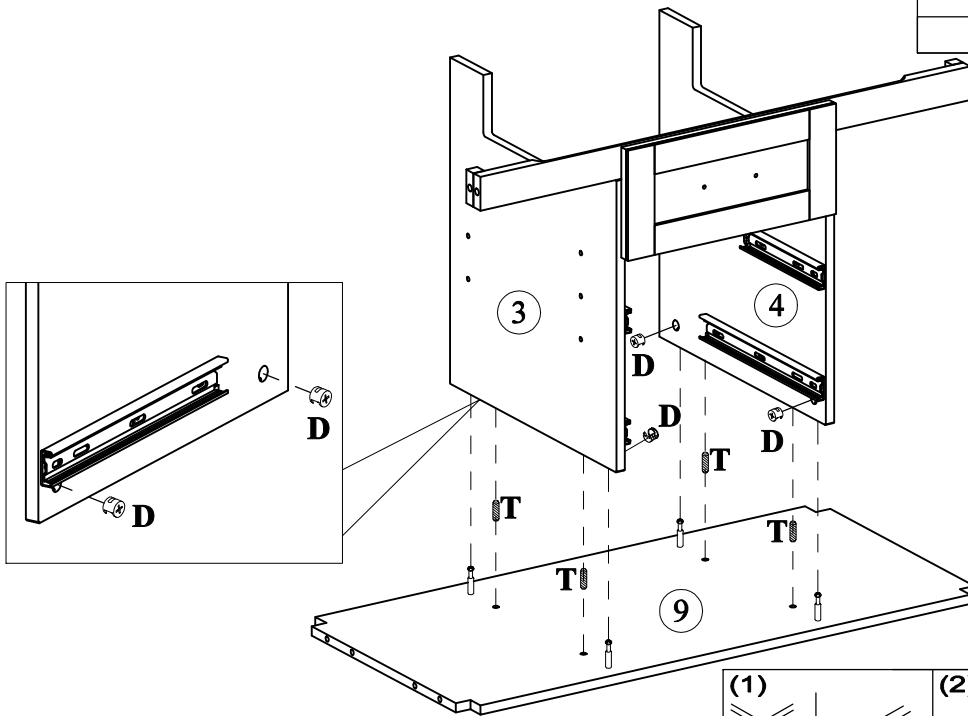
### STEP: 4

<b>J</b>	<b>K</b>	<b>T</b>
		
<b>2PCS</b>	<b>4PCS</b>	<b>2PCS</b>


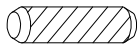



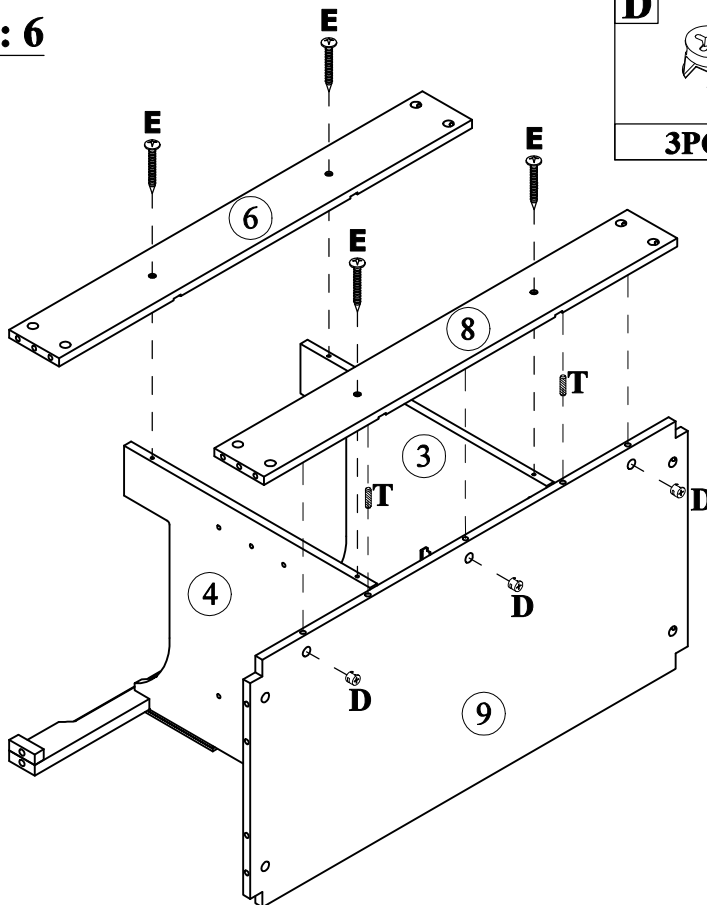
### STEP: 5

<b>D</b>		<b>T</b>	
	4PCS		4PCS

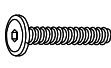


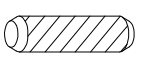


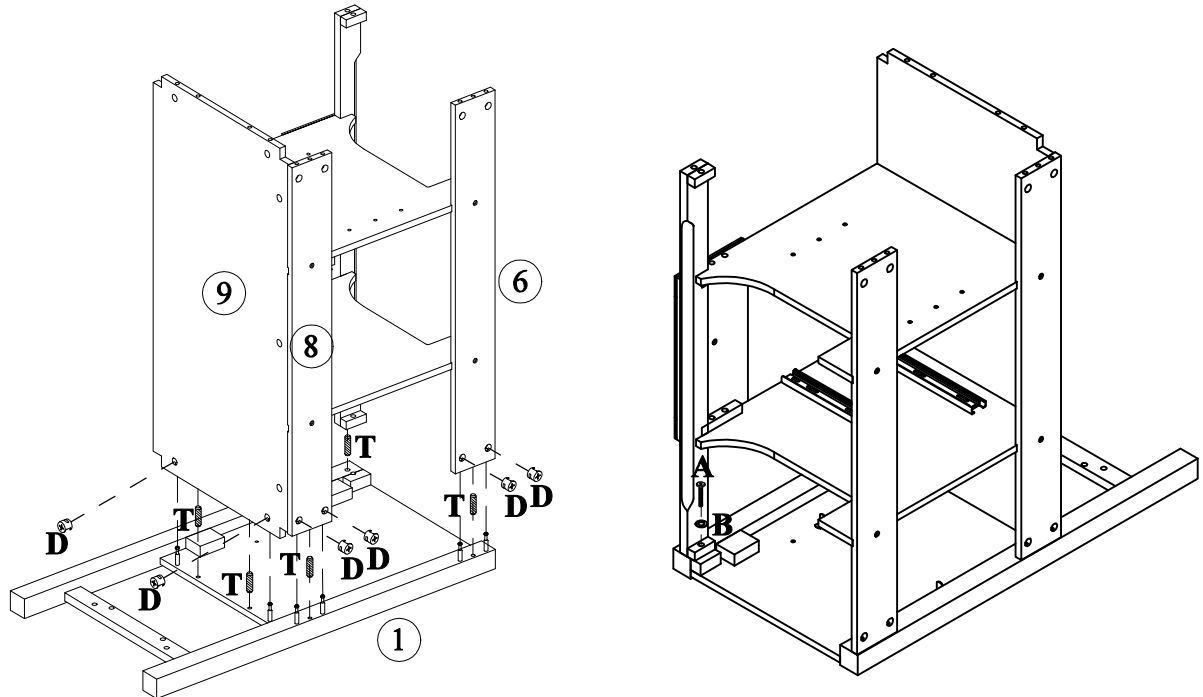
### STEP: 6

<b>D</b>		<b>T</b>		<b>E</b>	
	3PCS		2PCS		4PCS

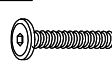

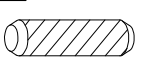


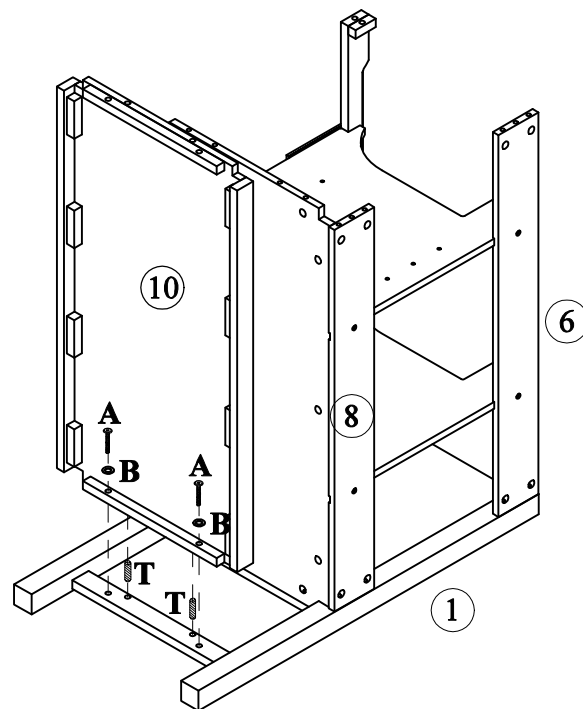
### STEP: 7

<b>A</b>	<b>B</b>	<b>D</b>	<b>T</b>
			
<b>1PC</b>	<b>1PC</b>	<b>6PCS</b>	<b>5PCS</b>


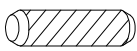


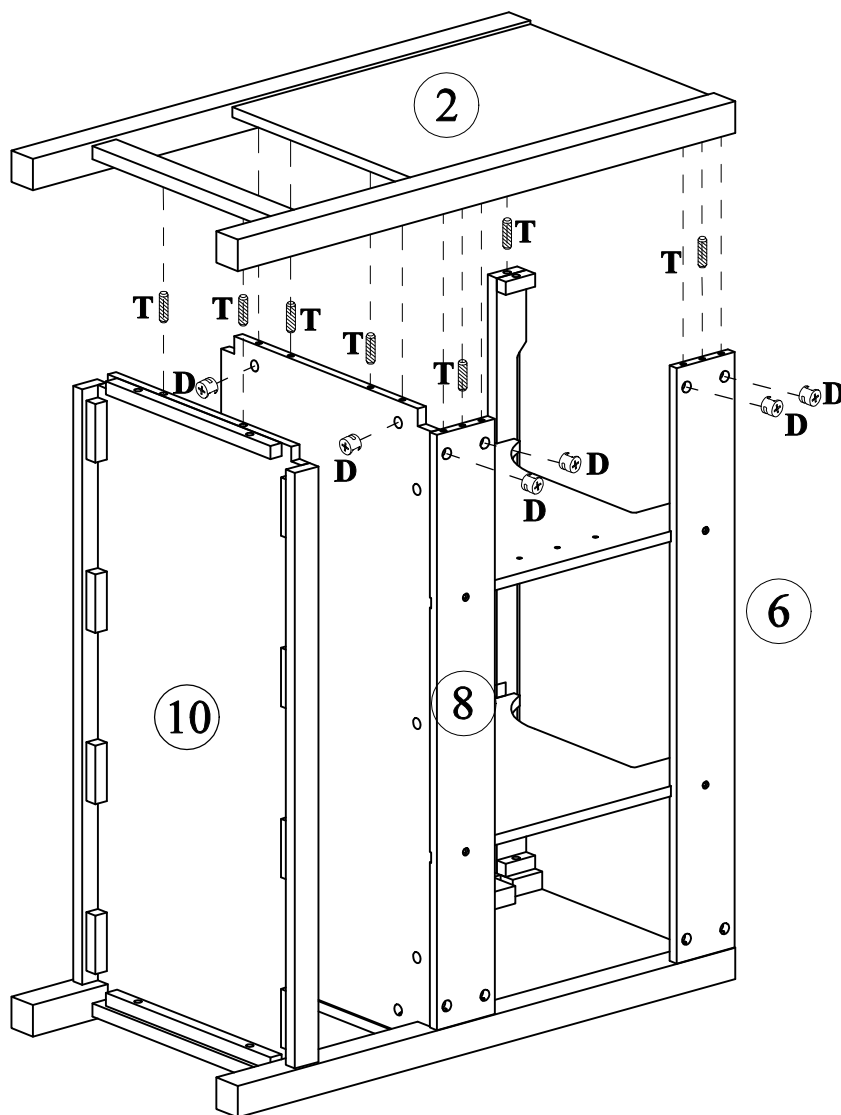
### STEP: 8

<b>A</b>	<b>B</b>	<b>T</b>
		
<b>2PCS</b>	<b>2PCS</b>	<b>2PCS</b>





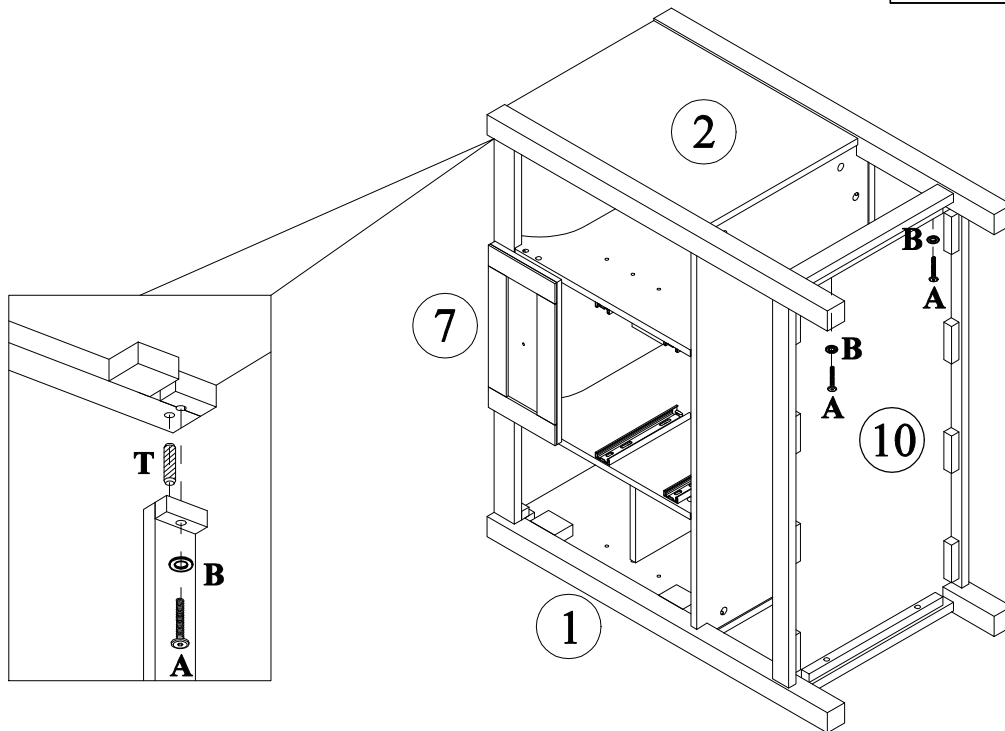
**STEP: 9**

<b>D</b>		<b>T</b>	
<b>6PCS</b>		<b>7PCS</b>	


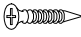


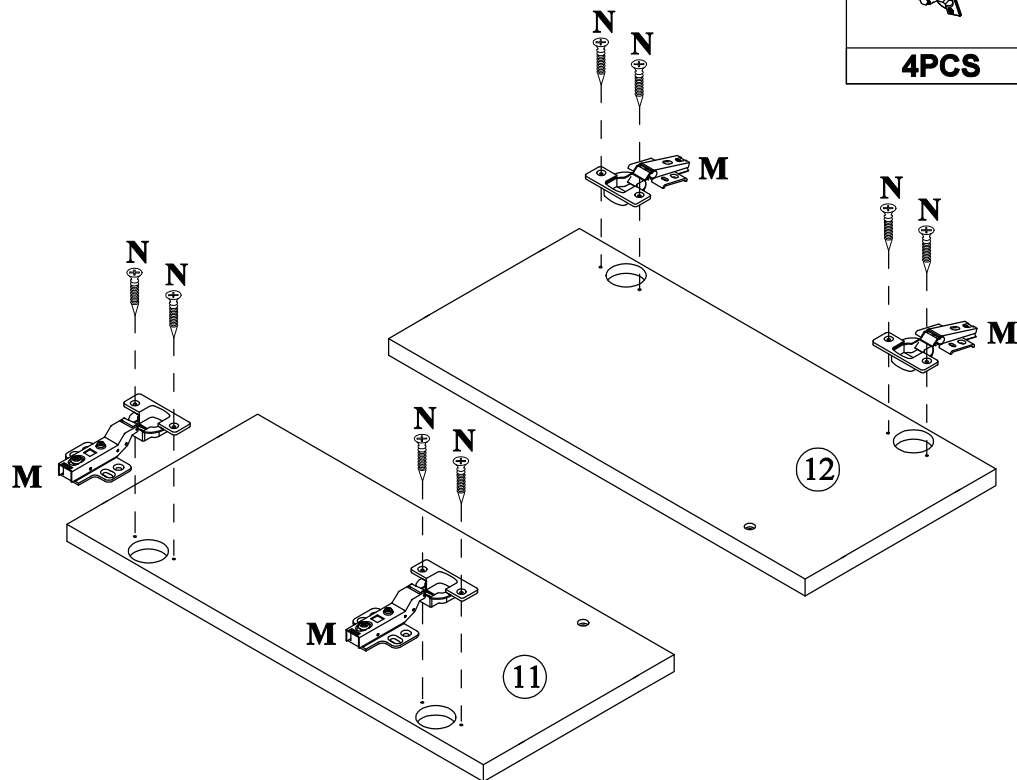
# STEP: 10

<b>A</b>	<b>B</b>
	
<b>3PCS</b>	<b>3PCS</b>

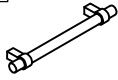
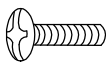
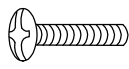
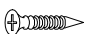


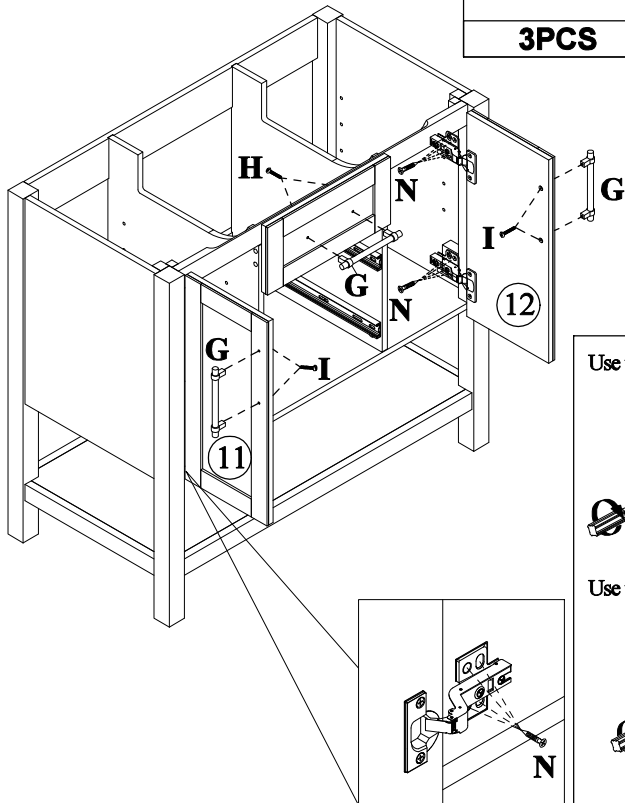
# STEP: 11

<b>M</b>	<b>N</b>
	
<b>4PCS</b>	<b>8PCS</b>

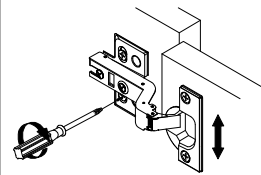


# STEP: 12

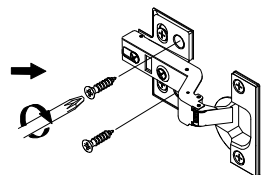
<b>G</b>	<b>H</b>	<b>I</b>	<b>N</b>
			
<b>3PCS</b>	<b>2PCS</b>	<b>4PCS</b>	<b>16PCS</b>



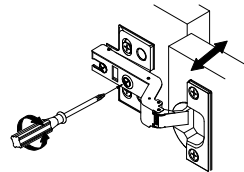
Use the screws to adjust up or down



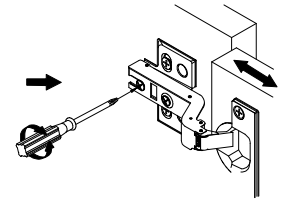
Use the screws to permanent



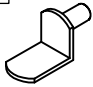
Use the screws to adjust left or right

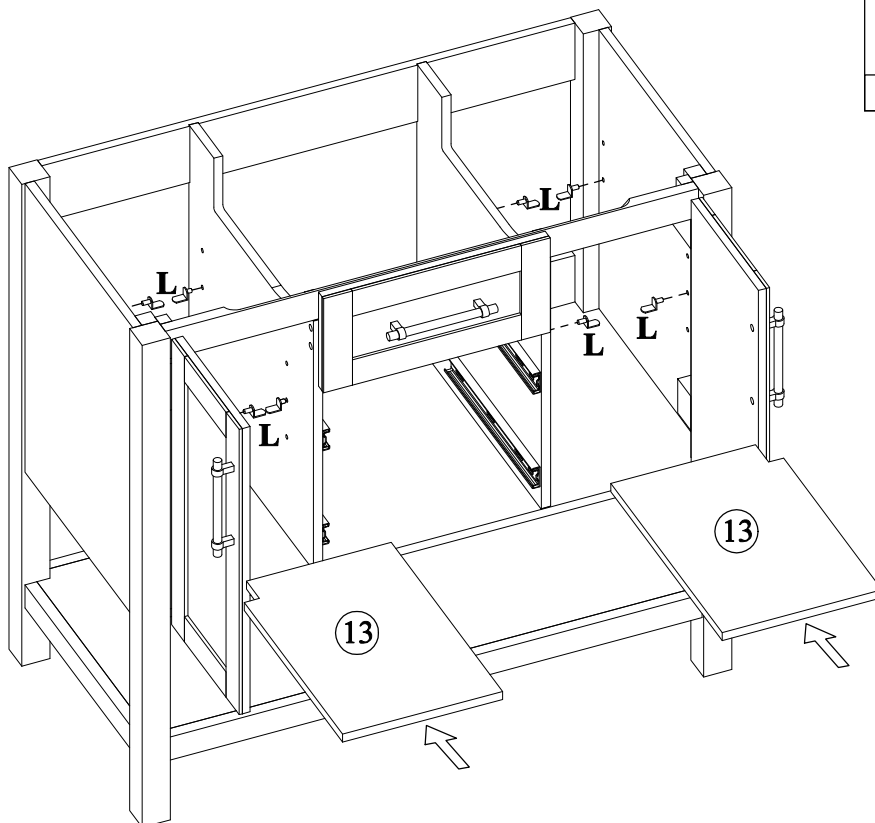


Use the screws to adjust in or out

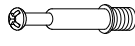


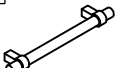
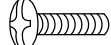




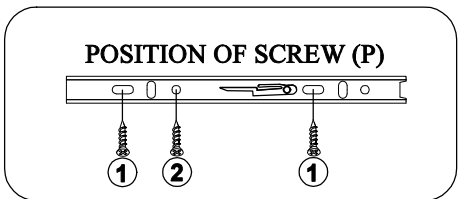
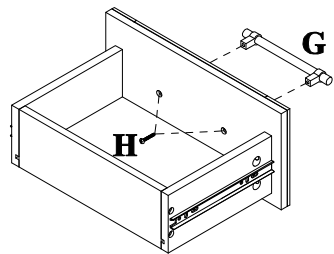
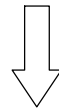
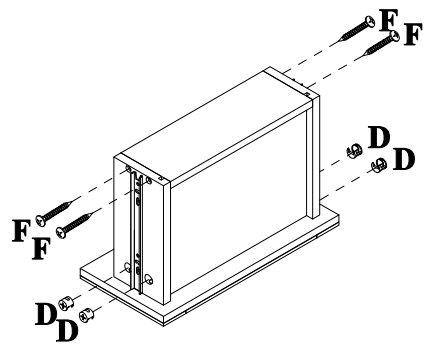
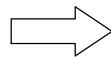
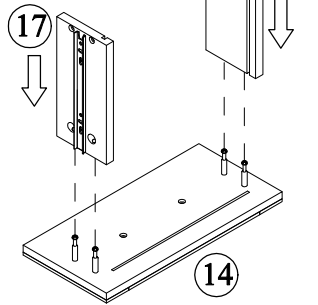
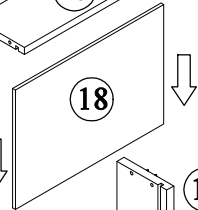
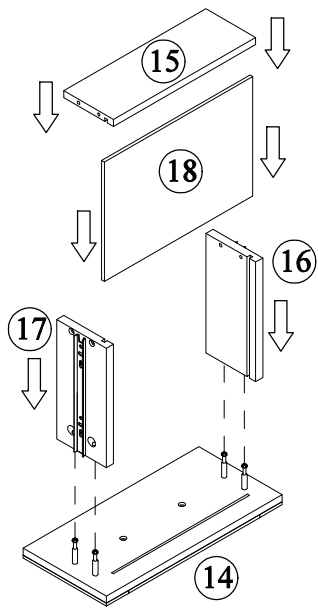
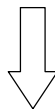
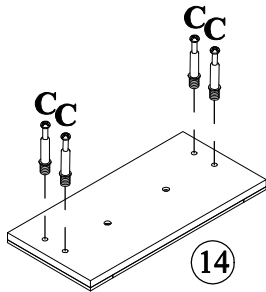
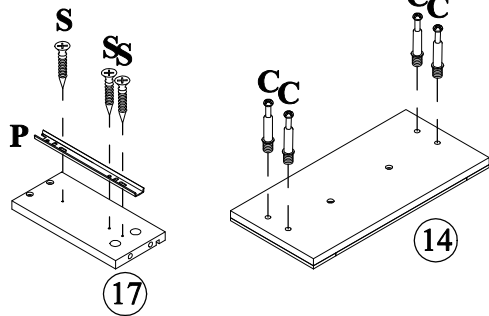
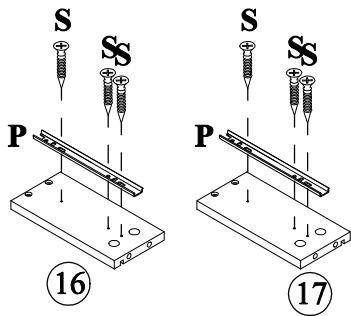
# STEP: 13

<b>L</b>

<b>8PCS</b>

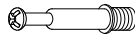


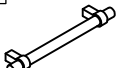
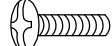




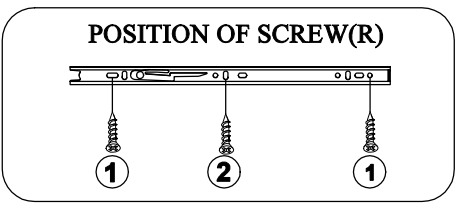
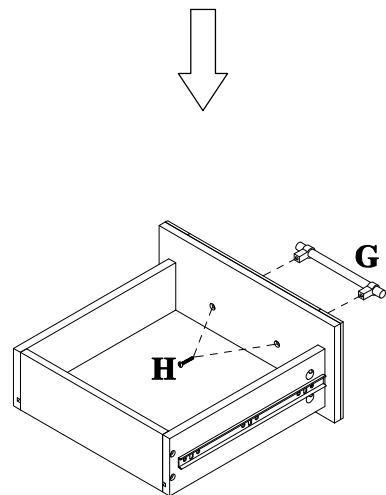
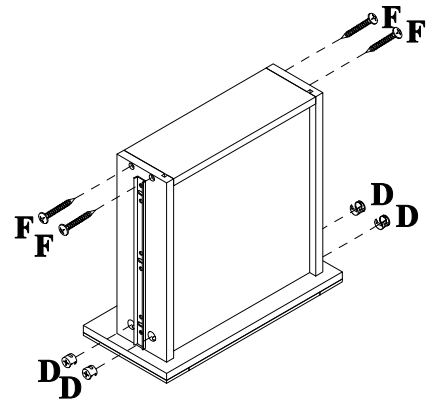
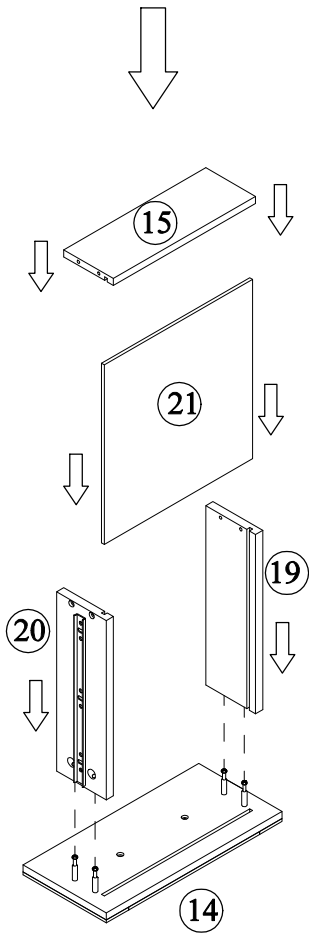
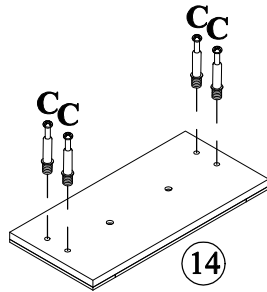
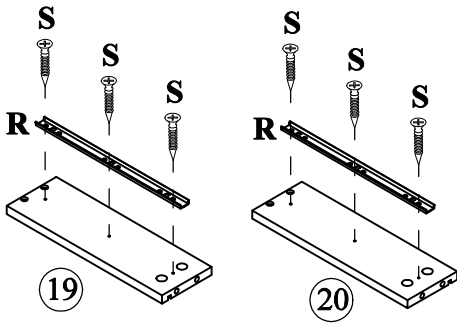
# STEP: 14

<b>C</b> 	<b>D</b> 	<b>F</b> 	<b>G</b> 
<b>4PCS</b>	<b>4PCS</b>	<b>4PCS</b>	<b>1PC</b>
		<b>H</b> 	<b>P</b> 
		<b>2PCS</b>	<b>2PCS</b>
			<b>S</b> 
			<b>6PCS</b>

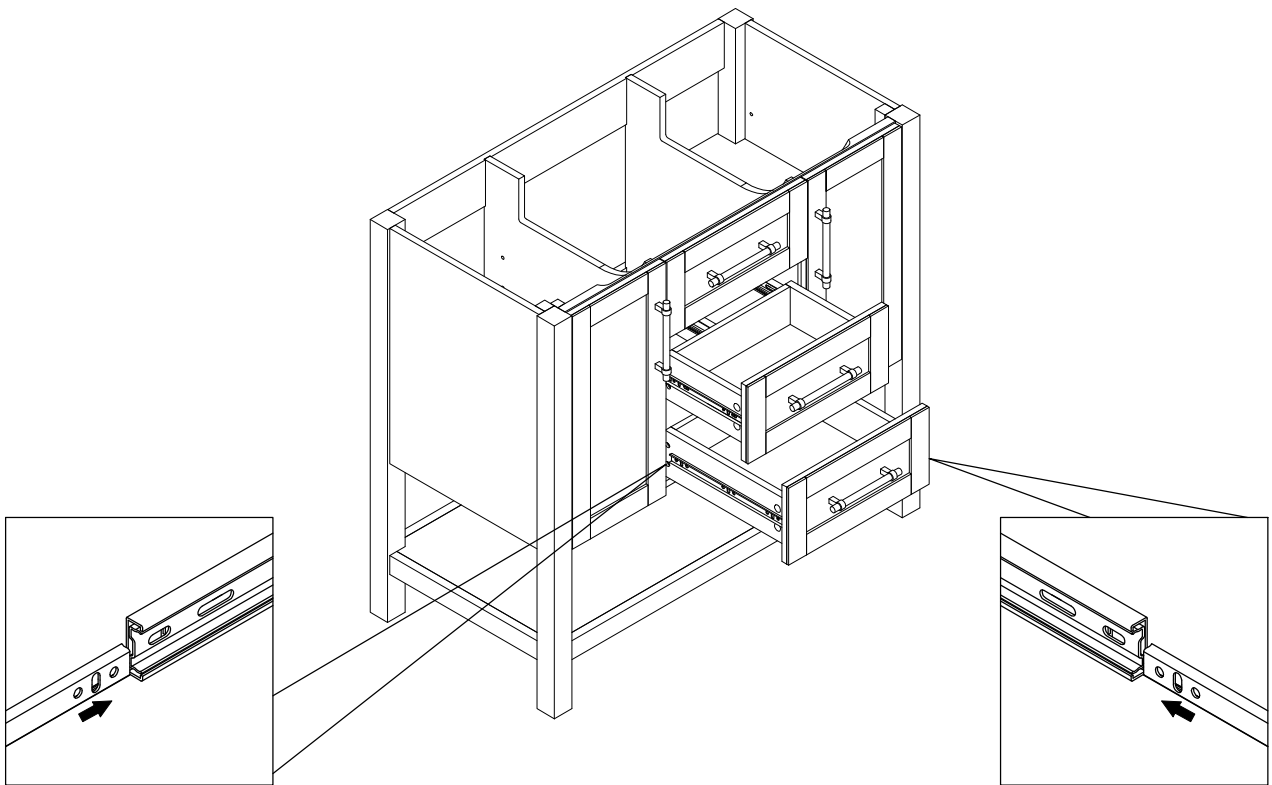


# STEP: 15

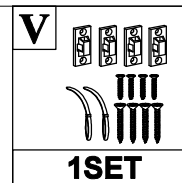
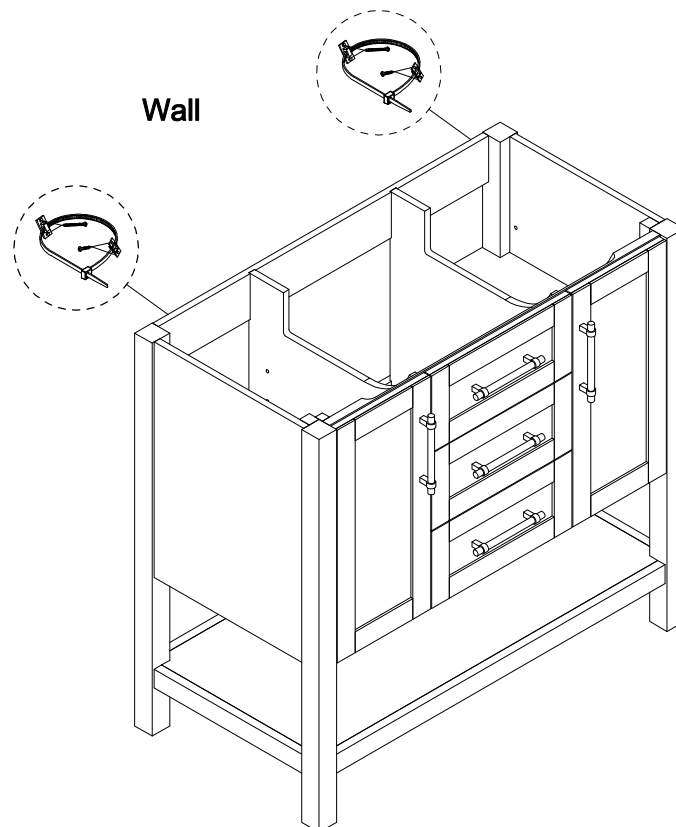
<b>C</b> 	<b>D</b> 	<b>F</b> 	<b>G</b> 
<b>4PCS</b>	<b>4PCS</b>	<b>4PCS</b>	<b>1PC</b>
		<b>H</b> 	<b>R</b> 
		<b>2PCS</b>	<b>2PCS</b>
			<b>S</b> 
			<b>6PCS</b>



**STEP: 16**

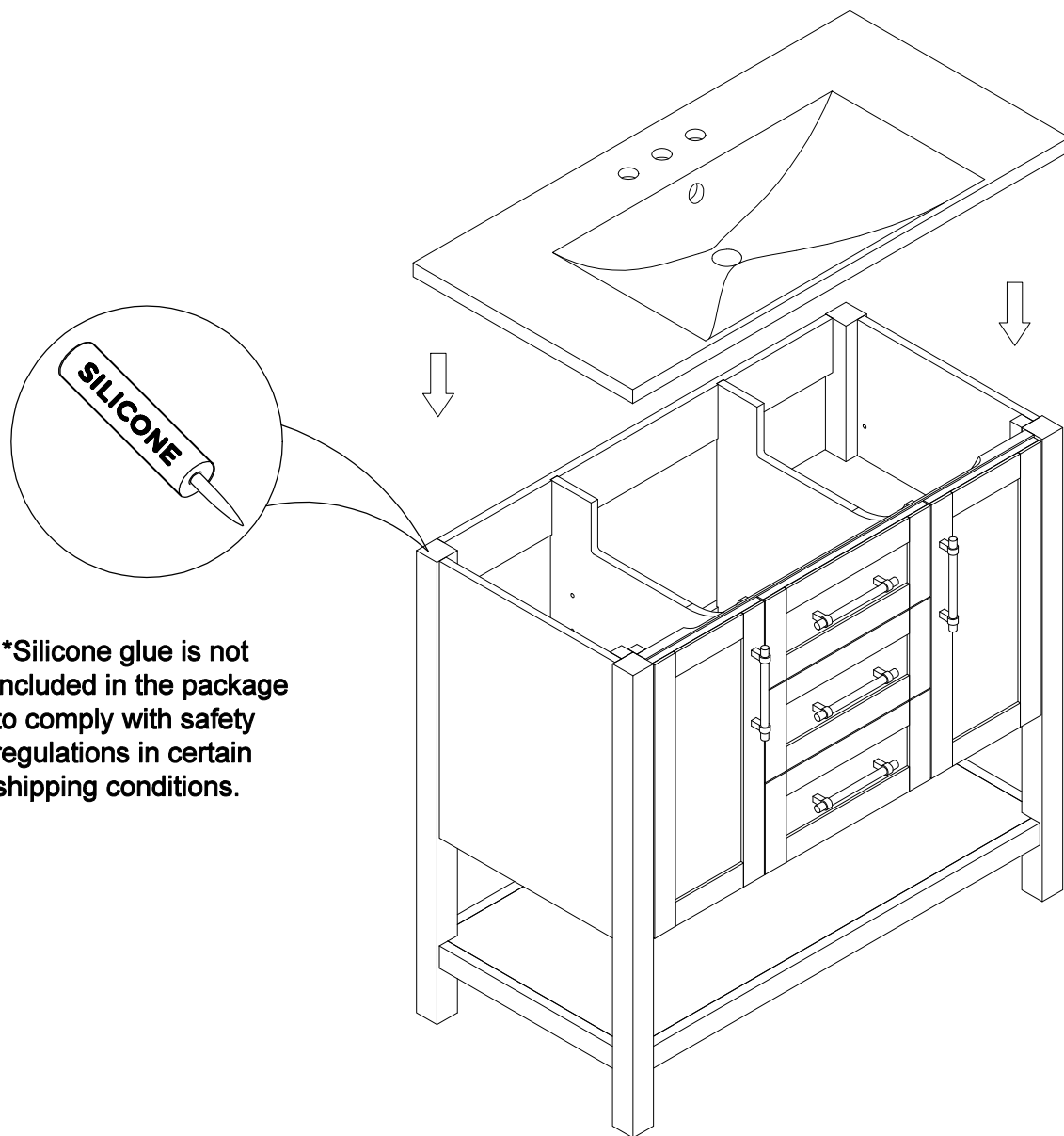


**STEP: 17**



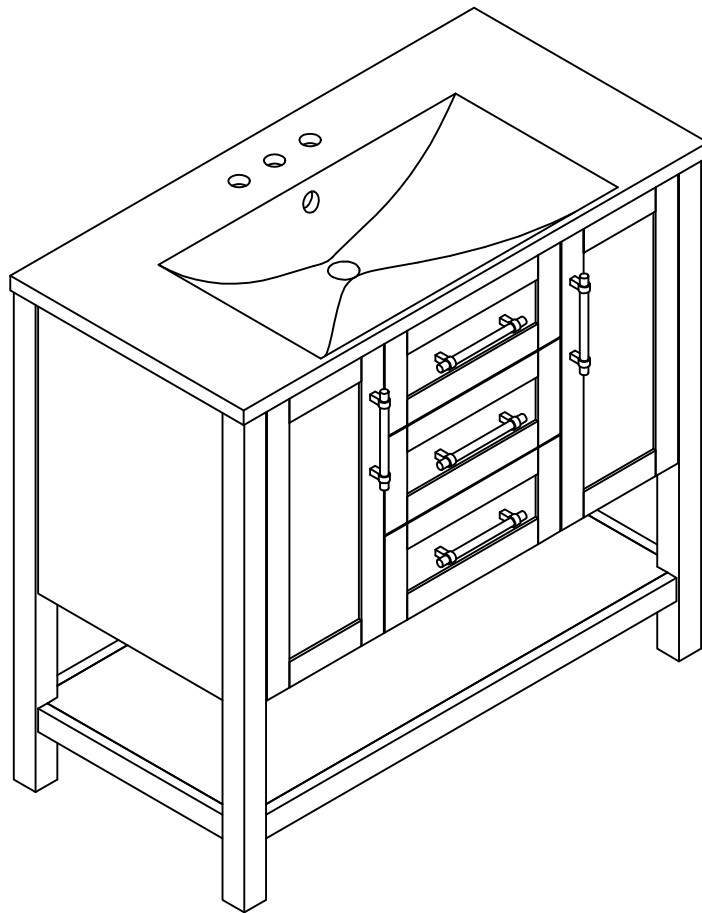
## **STEP: 18**

**Install the sink on the cabinet with glue.  
Let stand for 24 hours**



**\*Silicone glue is not included in the package to comply with safety regulations in certain shipping conditions.**

**STEP: 19**



# HINGE ADJUSTMENTS



## 1 Sideways / Tilt adjustment

Turn the screw  
**clockwise** to move the door further away from  
the side of the cabinet  
**anticlockwise** to move the door closer to the  
side of the cabinet



## 2 4 Height adjustment

While supporting the weight of the door, turn the  
screws  
**clockwise** to move the door up  
**anticlockwise** to move the door down



## 3 Forward and back adjustment

If the gap between the back of the door and the  
cabinet is too small, and the door may not close  
fully. Turn the screw  
**clockwise** to decrease the gap between the  
door and the cabinet  
**anticlockwise** to increase the gap between the  
door and the cabinet

