

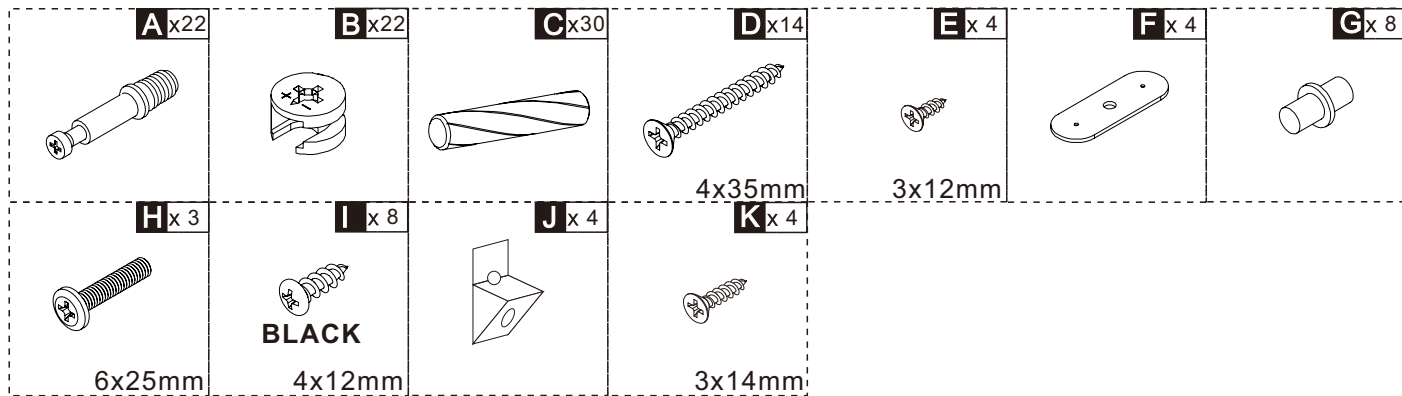
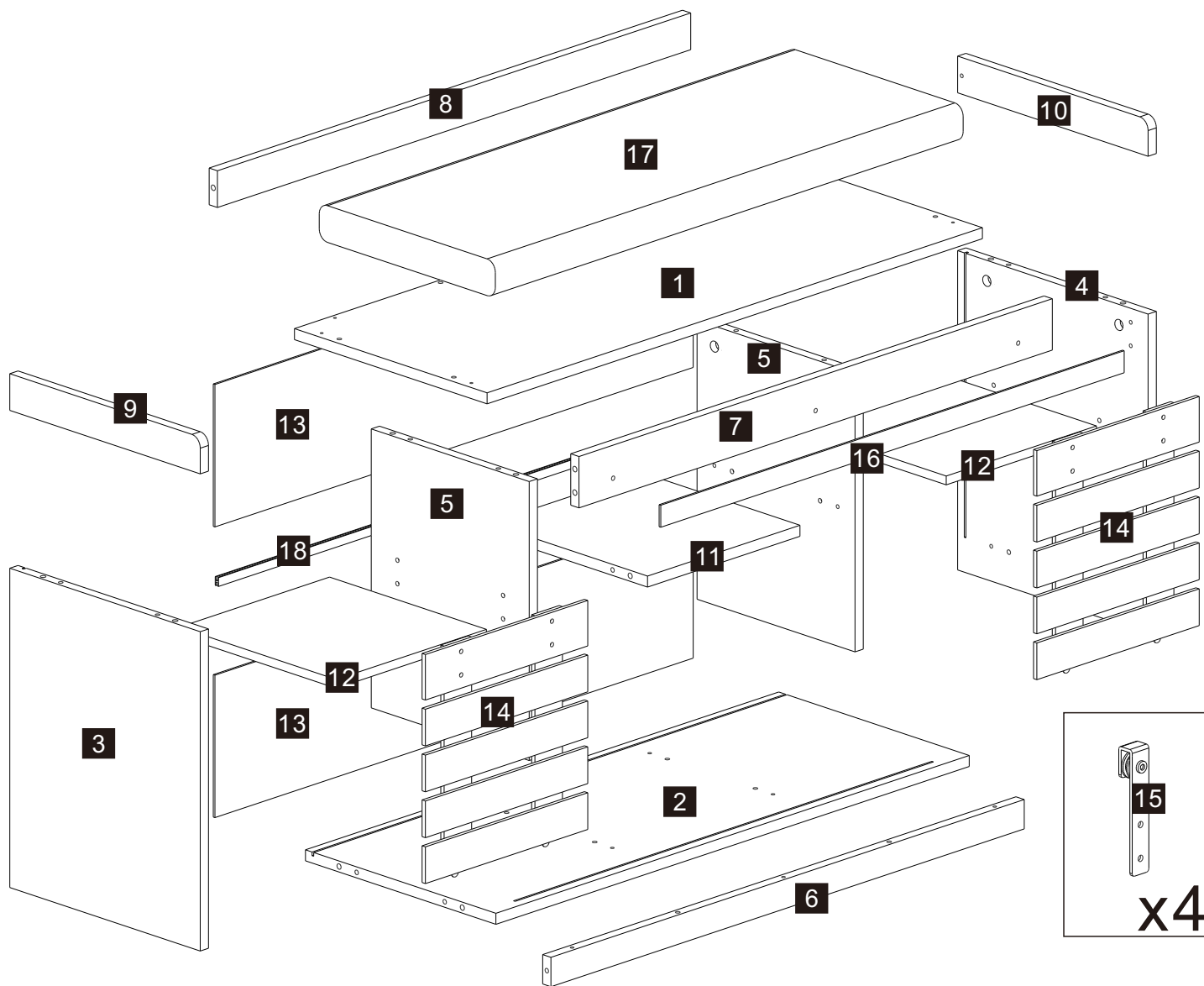
**Attention please :**

**Improper use of screws may cause the product surface damage!  
Please be careful when installing.**

**To prevent you from confusing the accessories and boards, Please do not mix the parts of different units when you buy two or more products at the same time.**

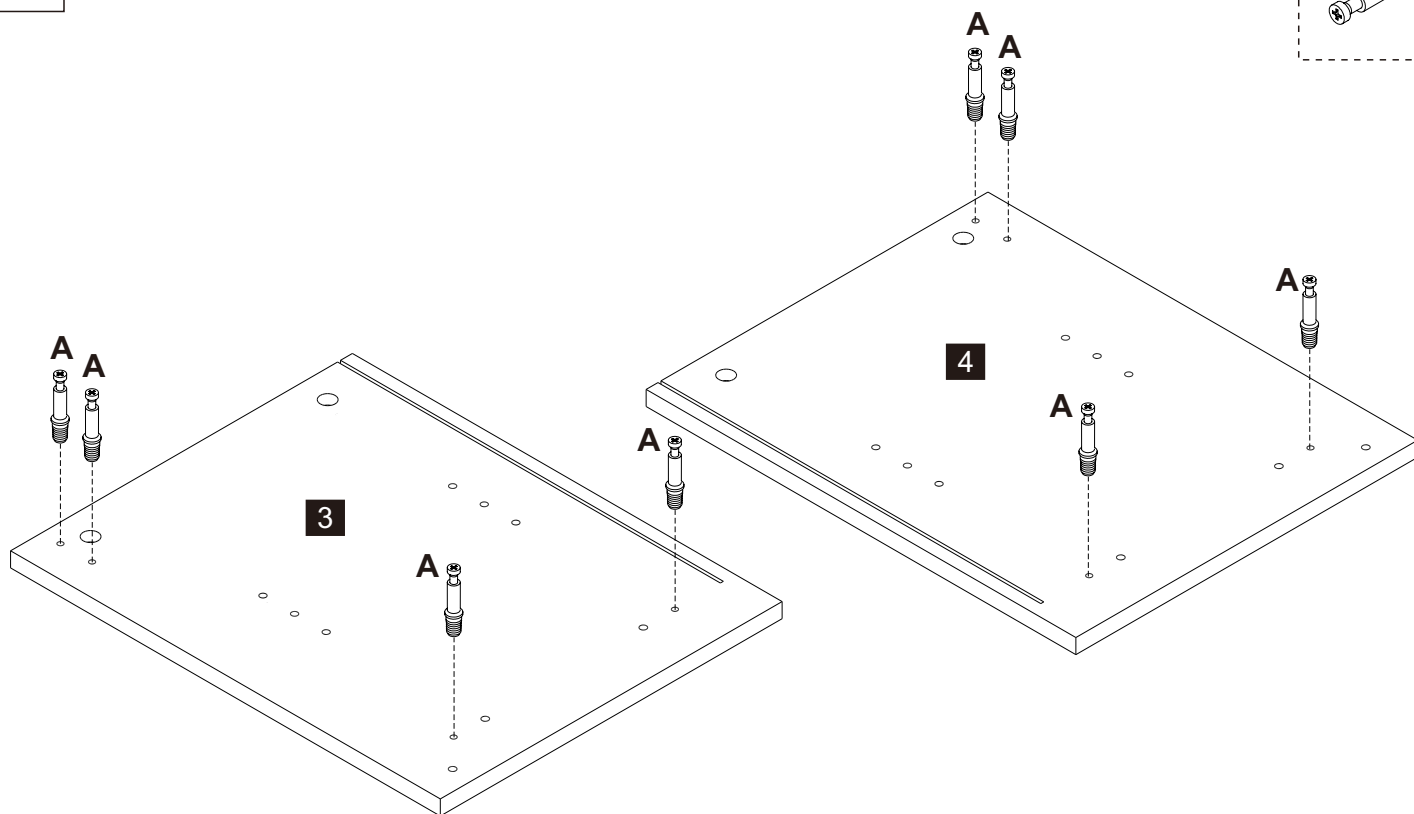
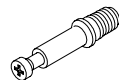
**READ AND SAVE THIS INSTRUCTIONS FOR FUTURE USE**

**ASSEMBLY & INSTRUCTION MANUAL**



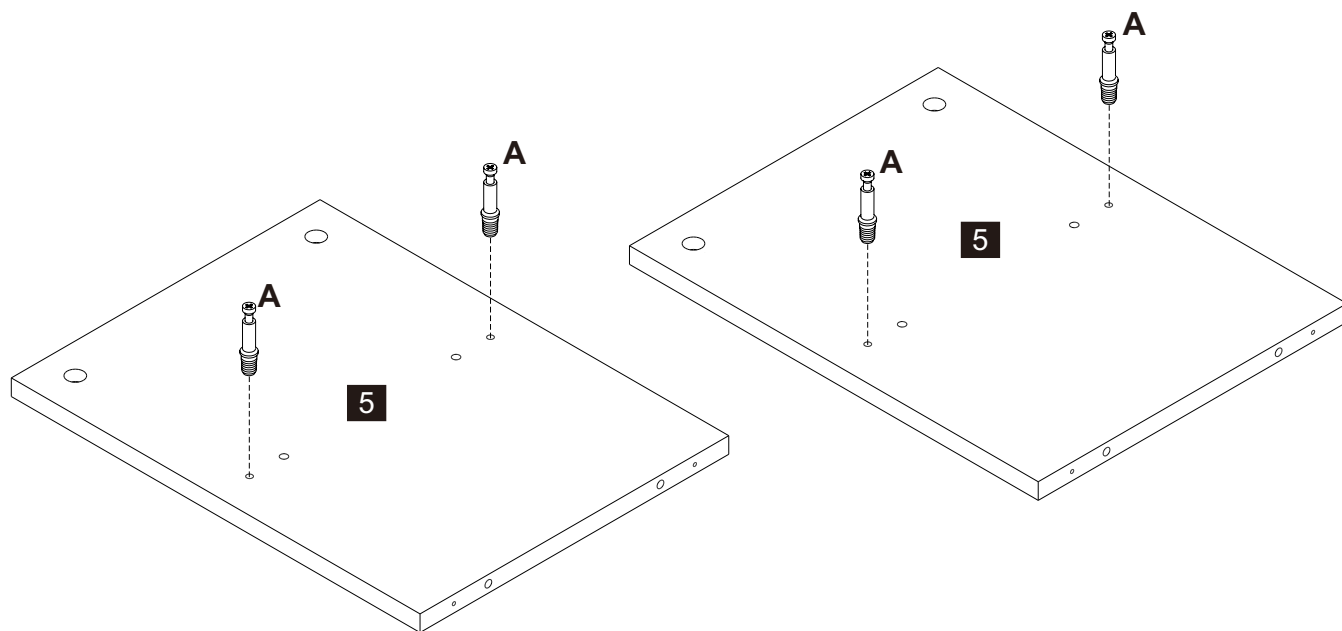
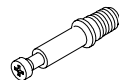
1

A x 8

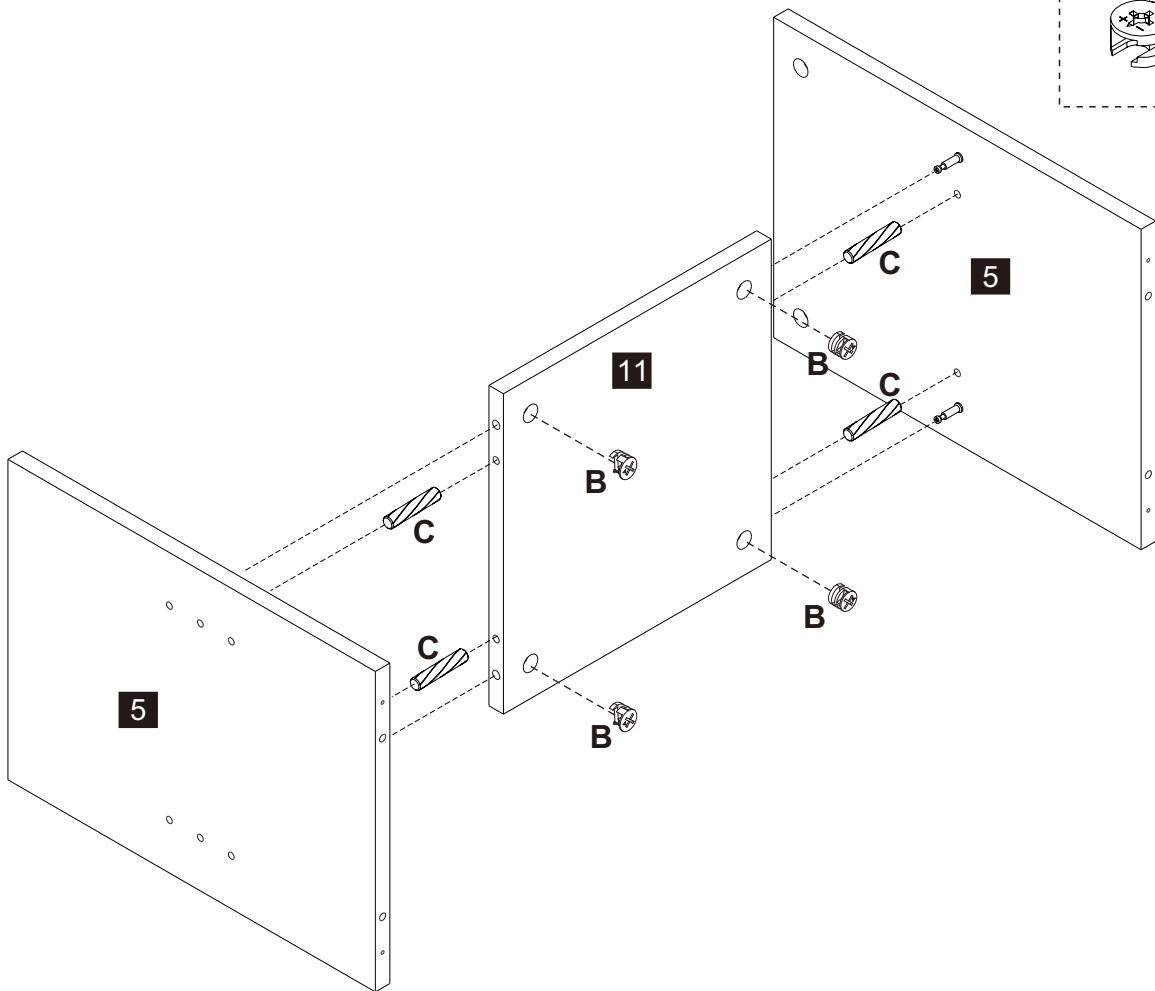


2

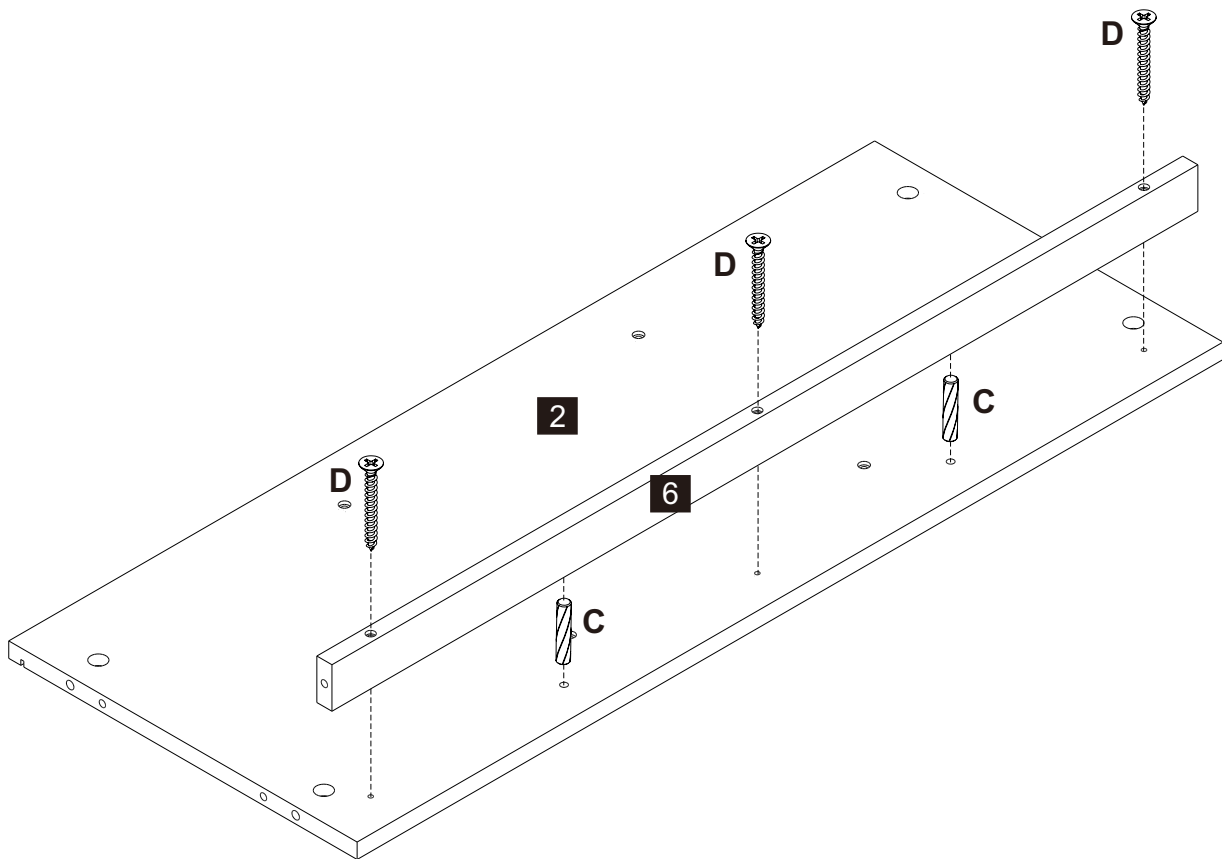
A x 4



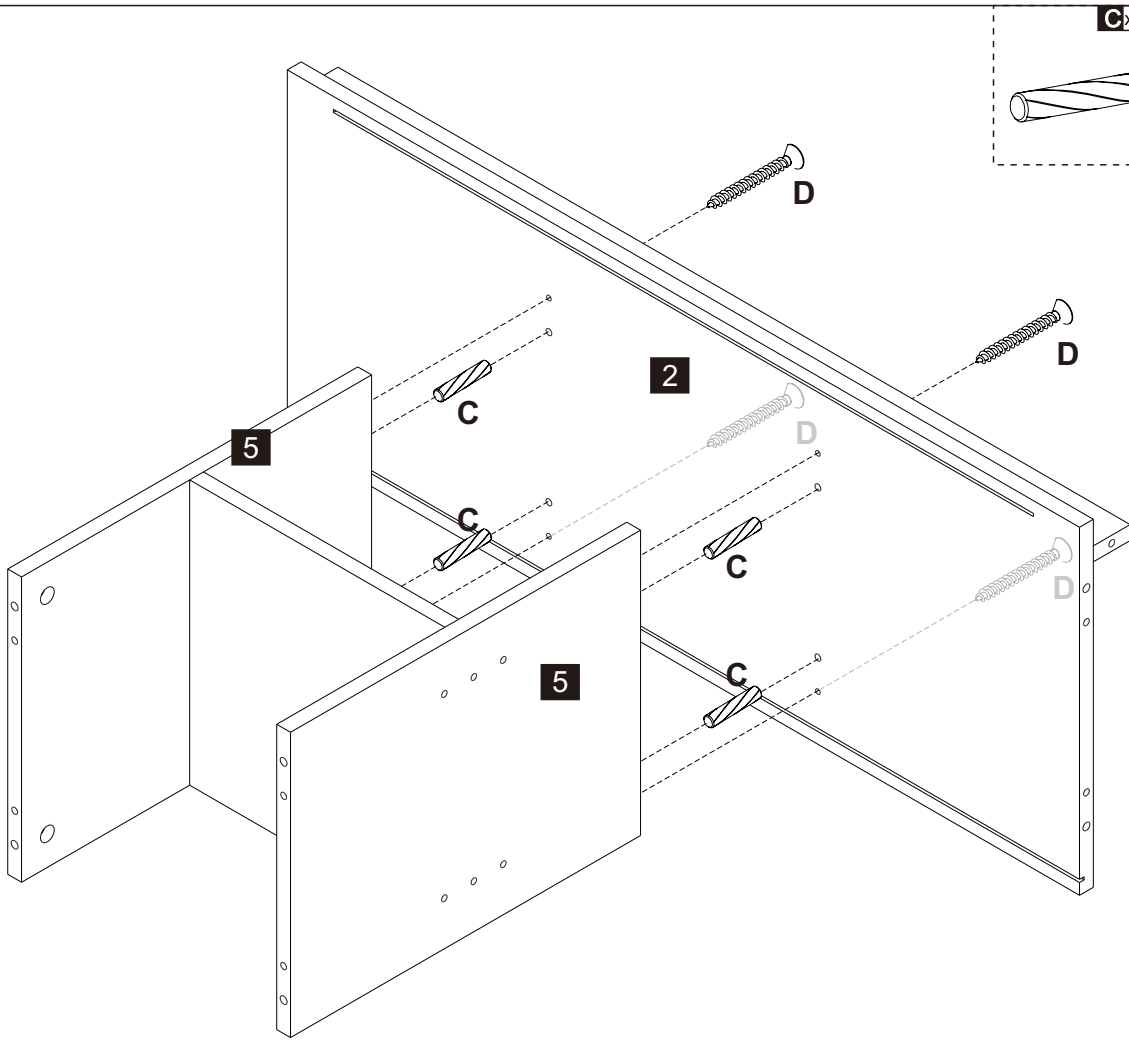
3



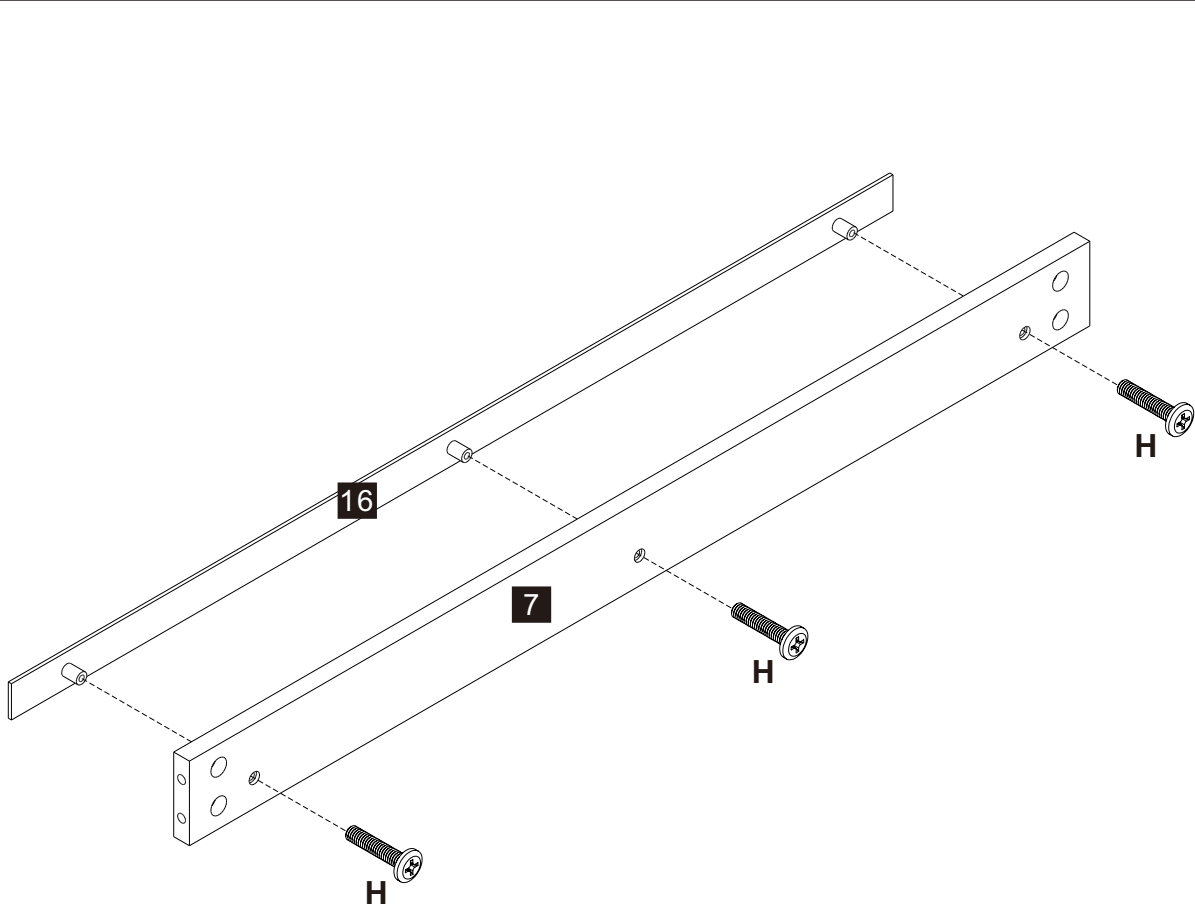
4



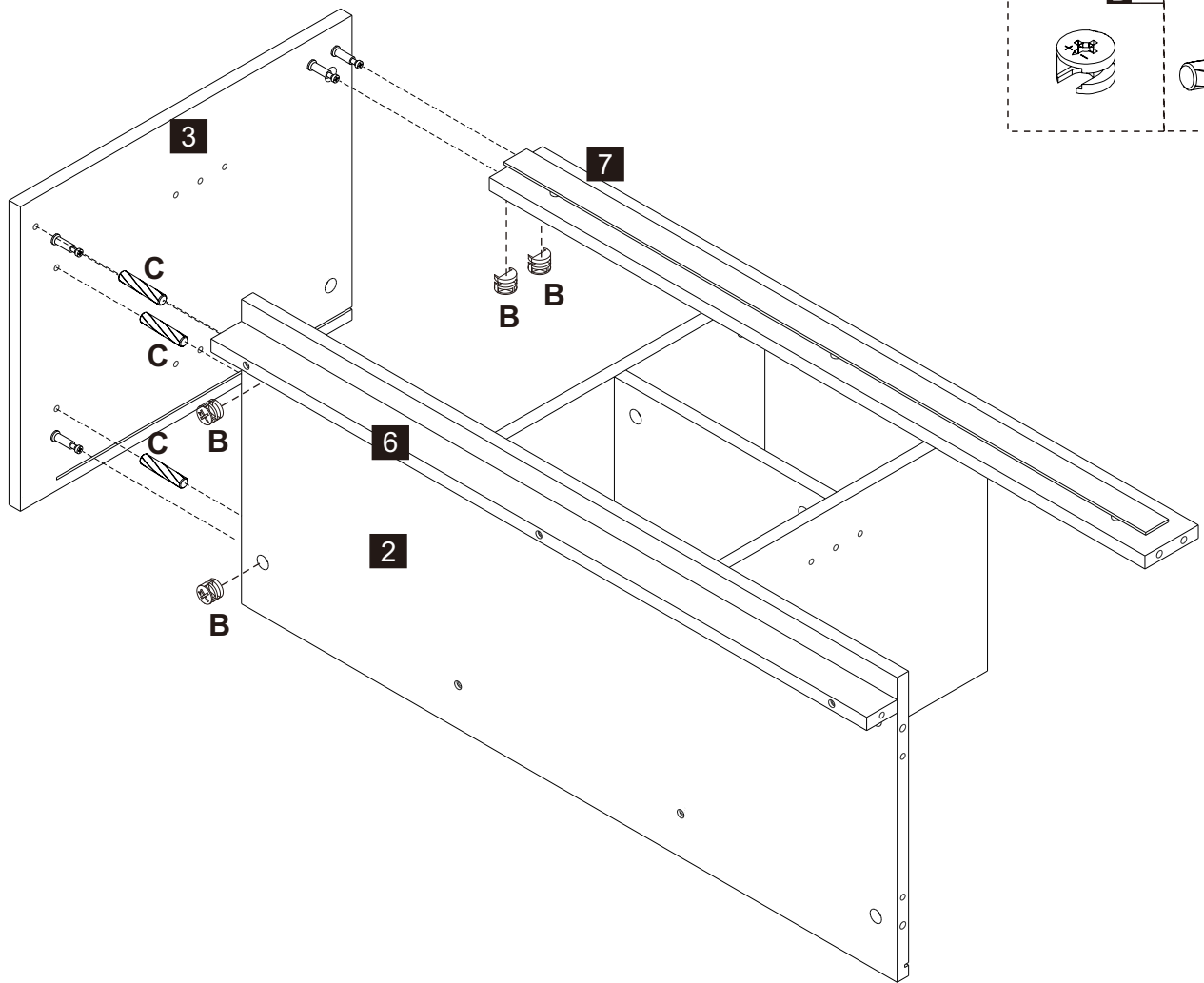
5



6



7

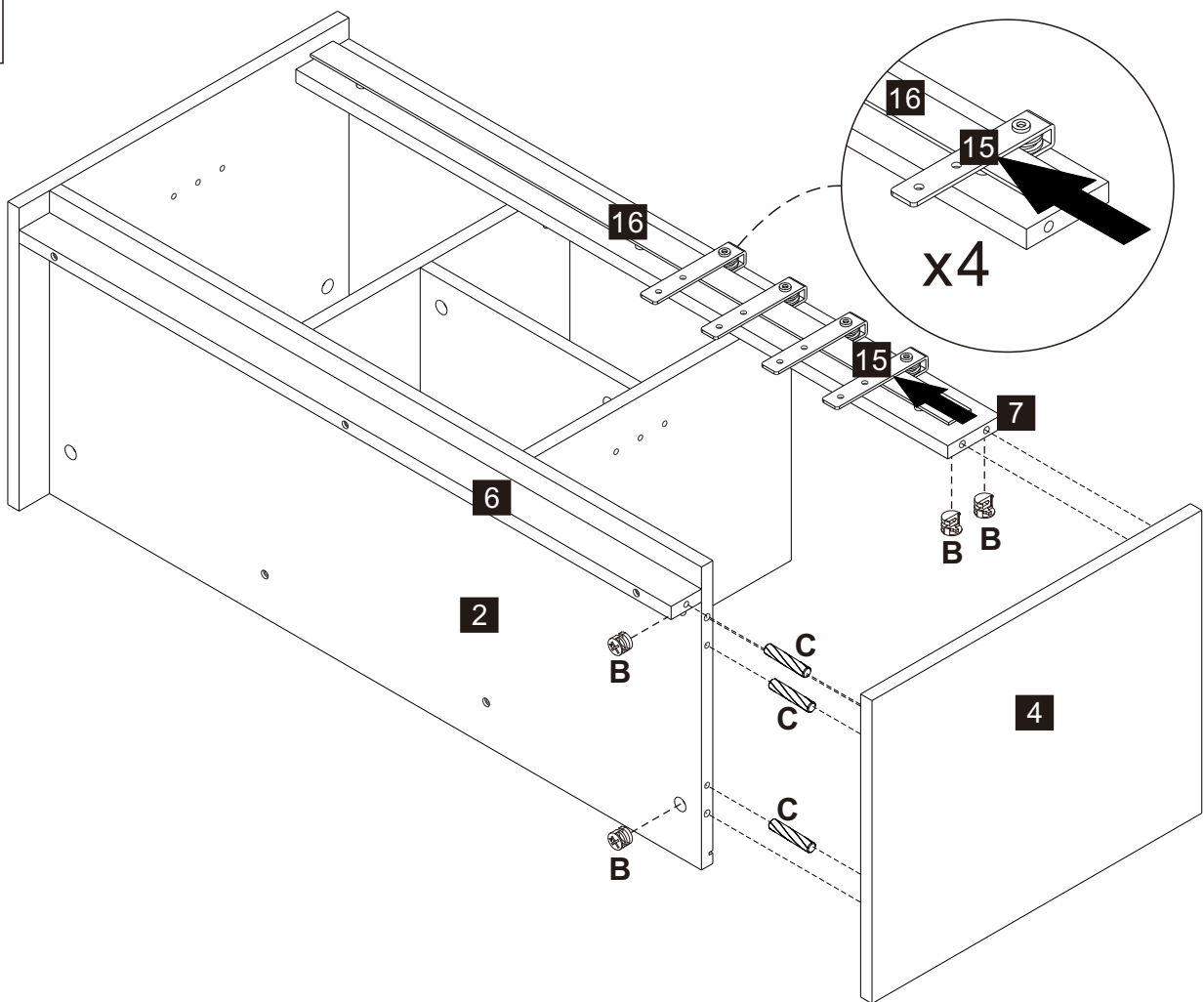


B x 4

C x 3



8



B x 4

C x 3



16

15

x4

15

7

6

2

4

B

C

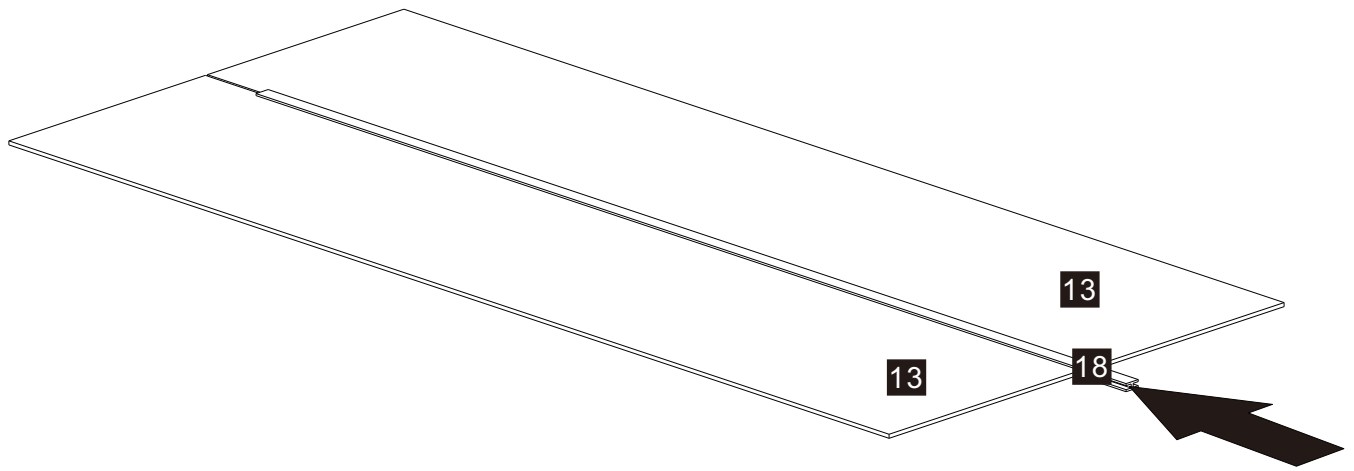
C

B

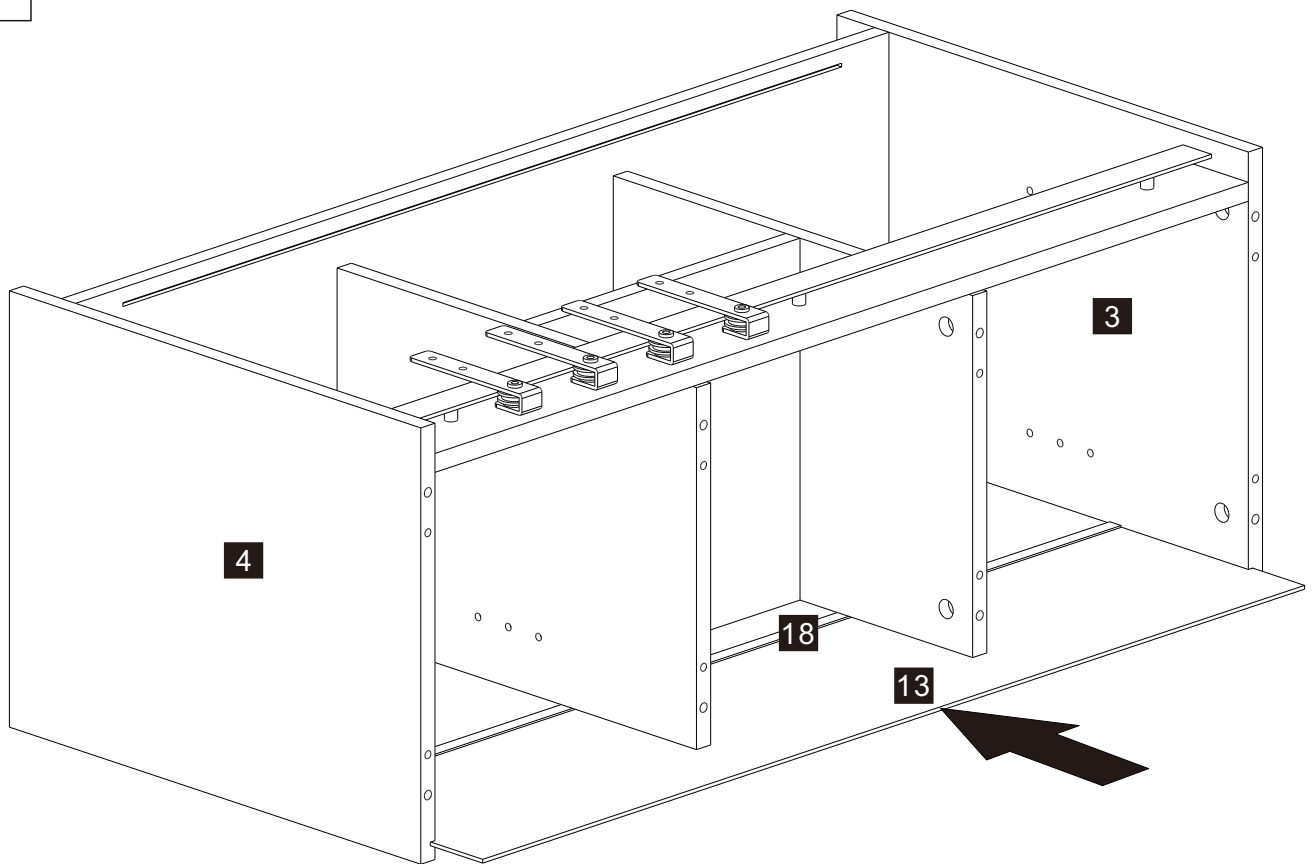
B

B

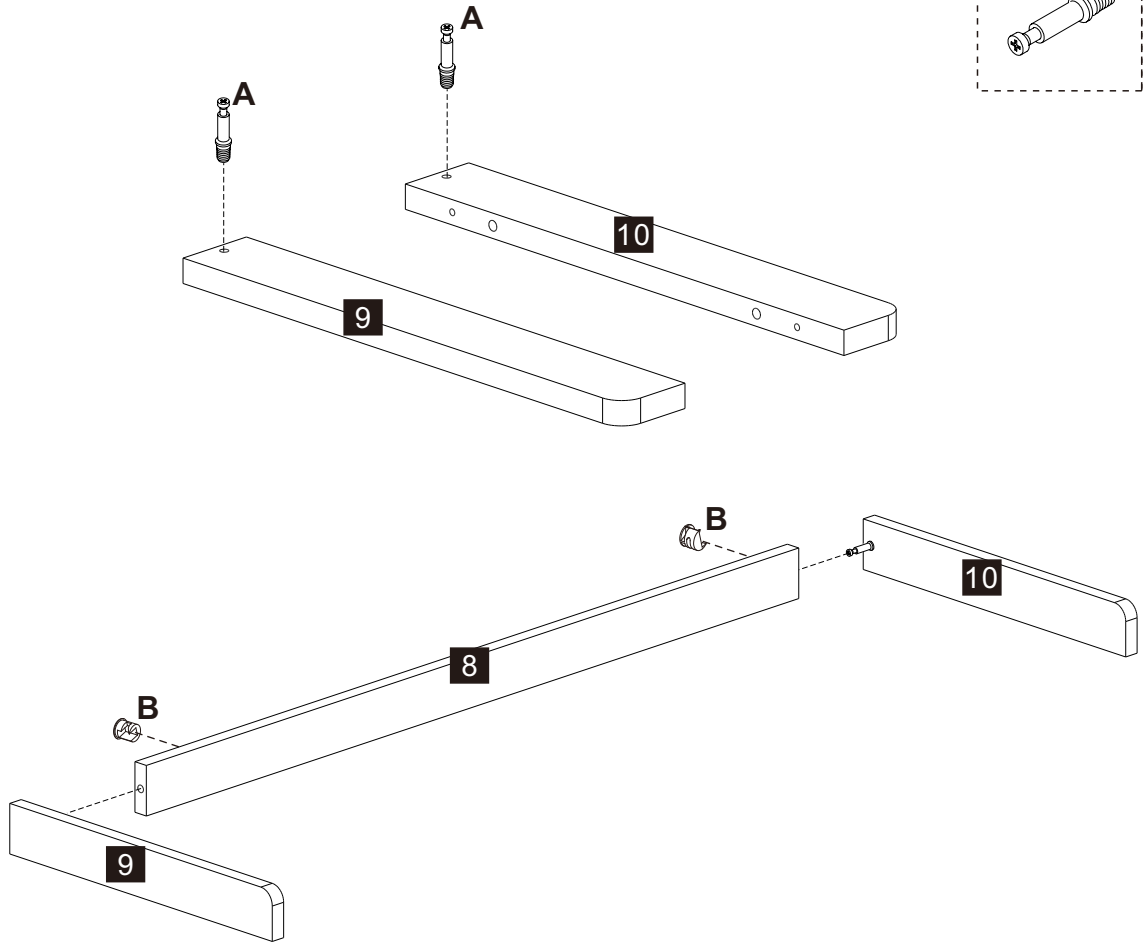
9



10

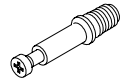


11

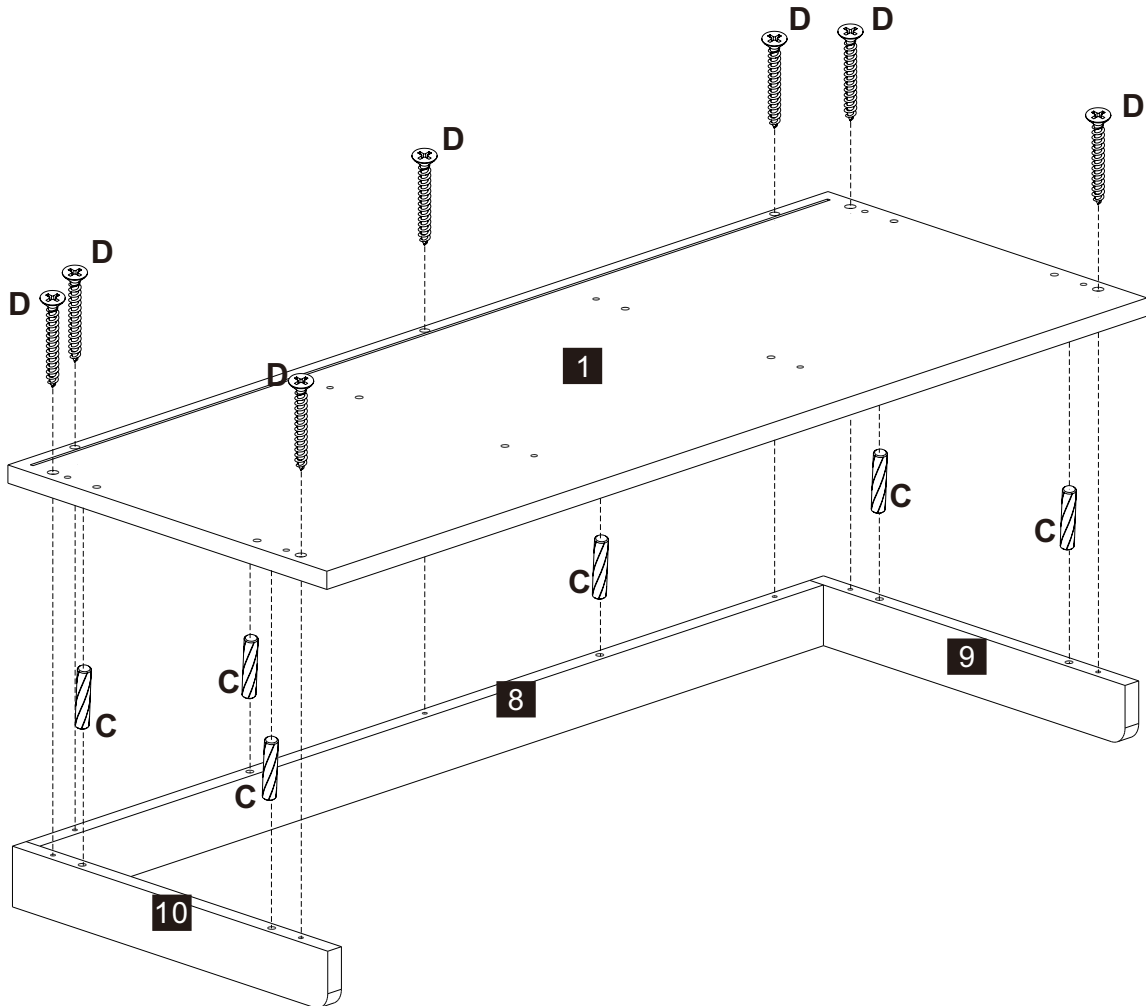


A x 2

B x 2

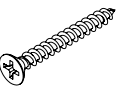


12

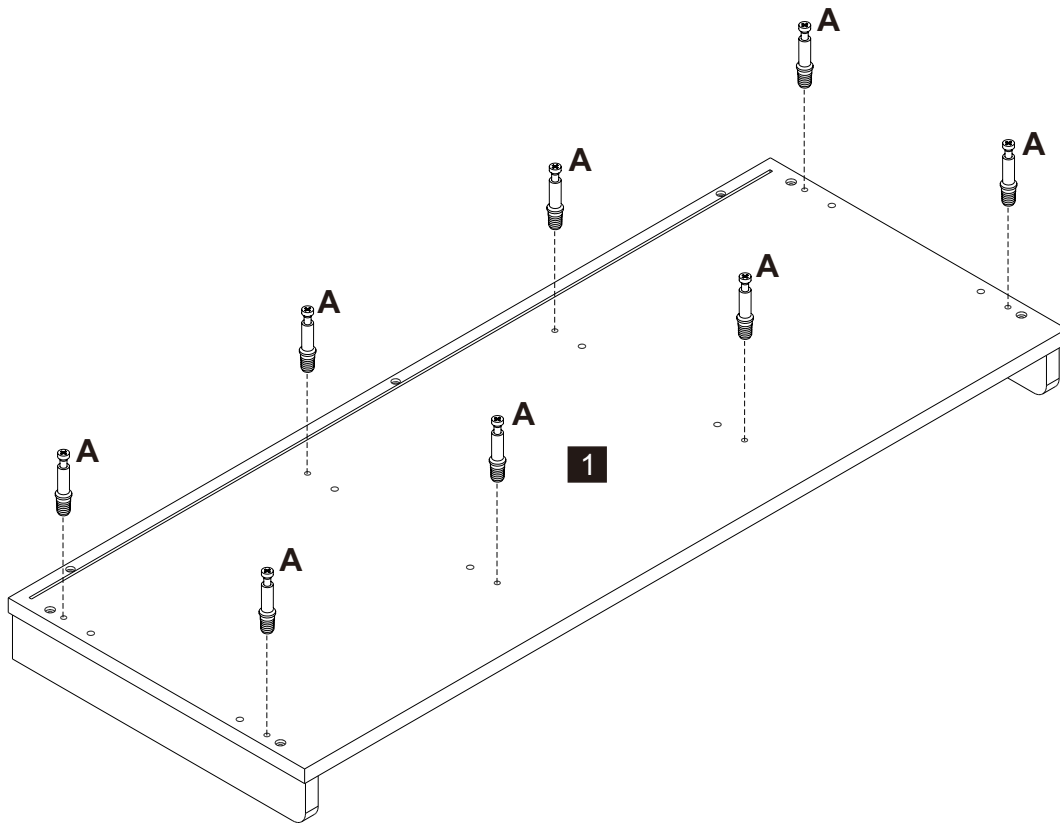


C x 6

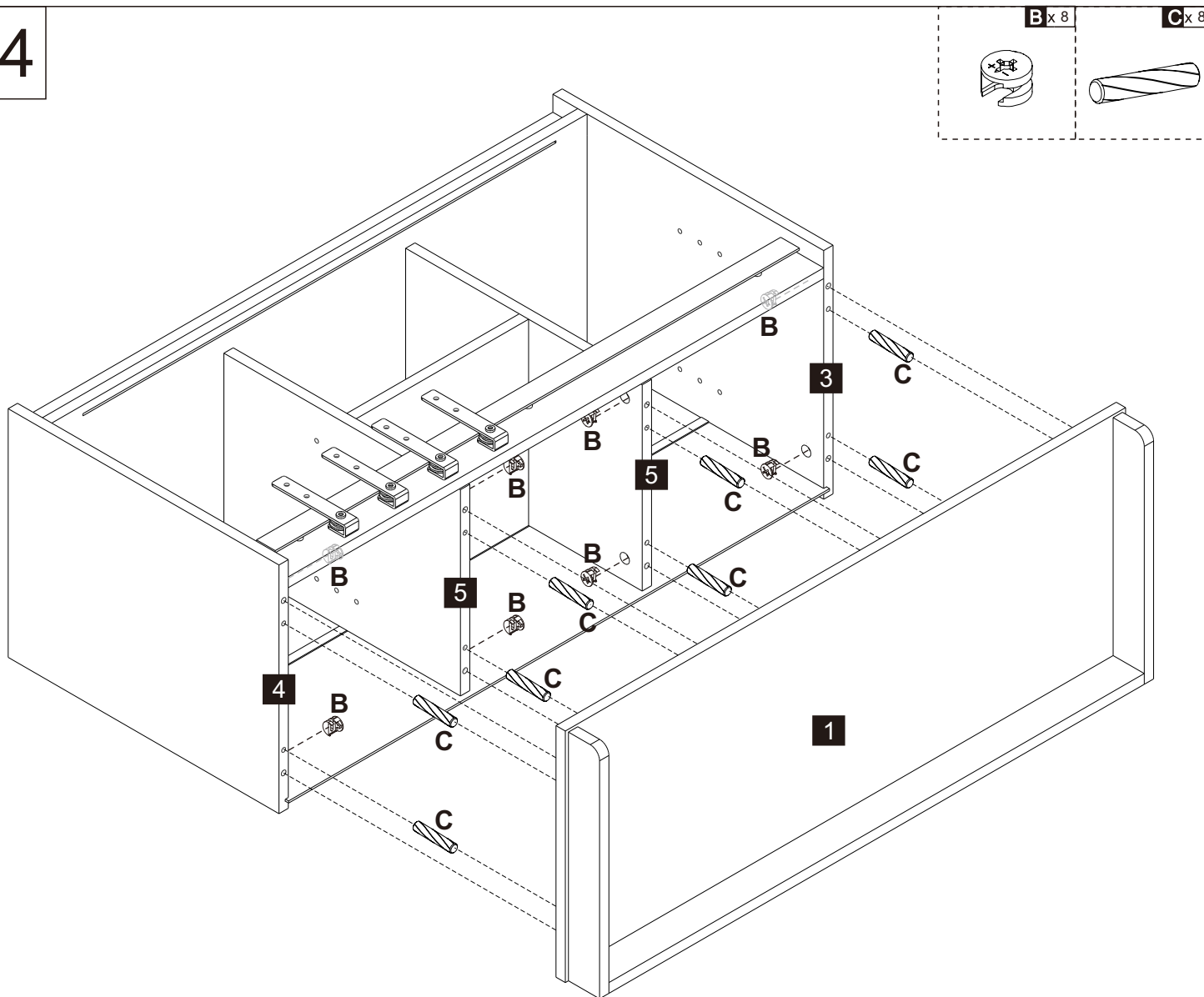
D x 7



13

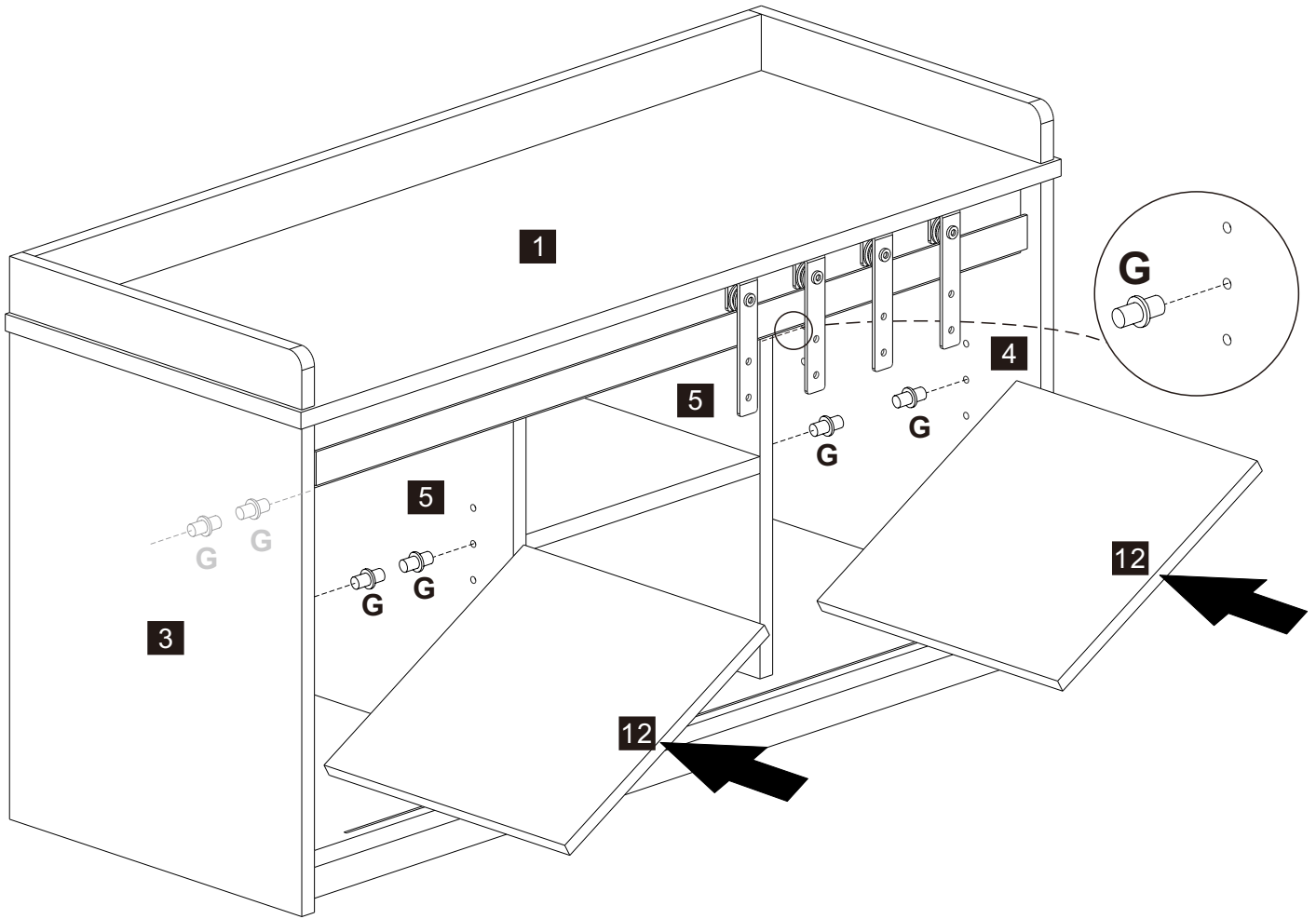


14



15

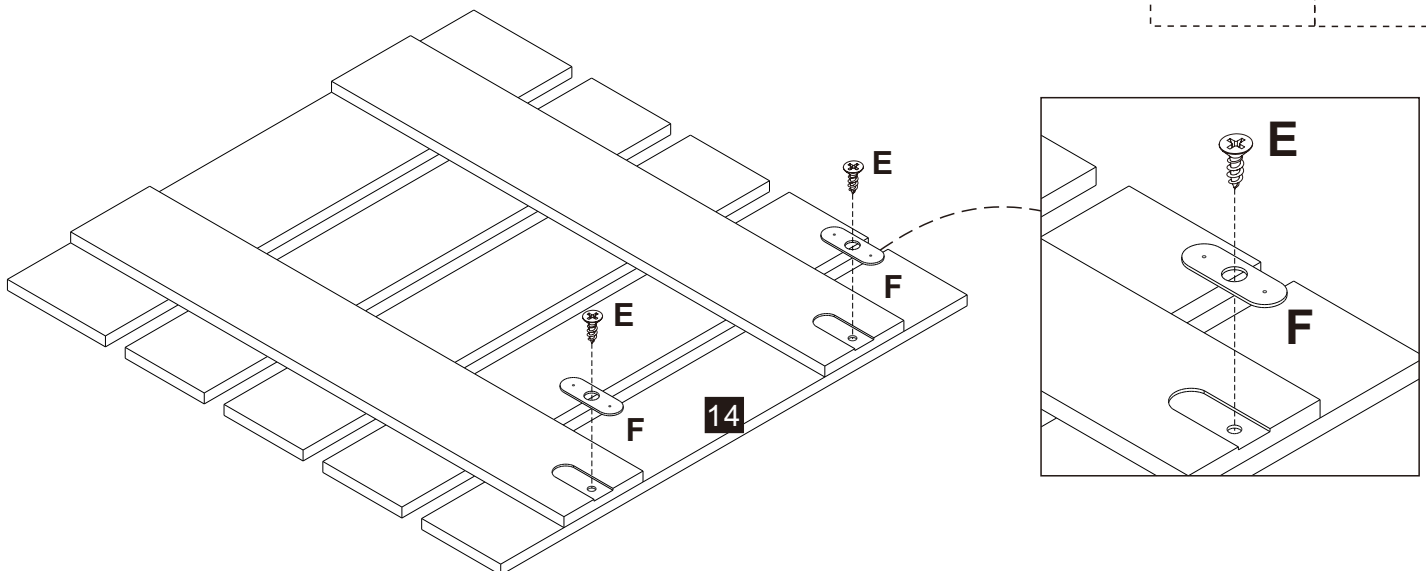
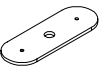
C x 8



16

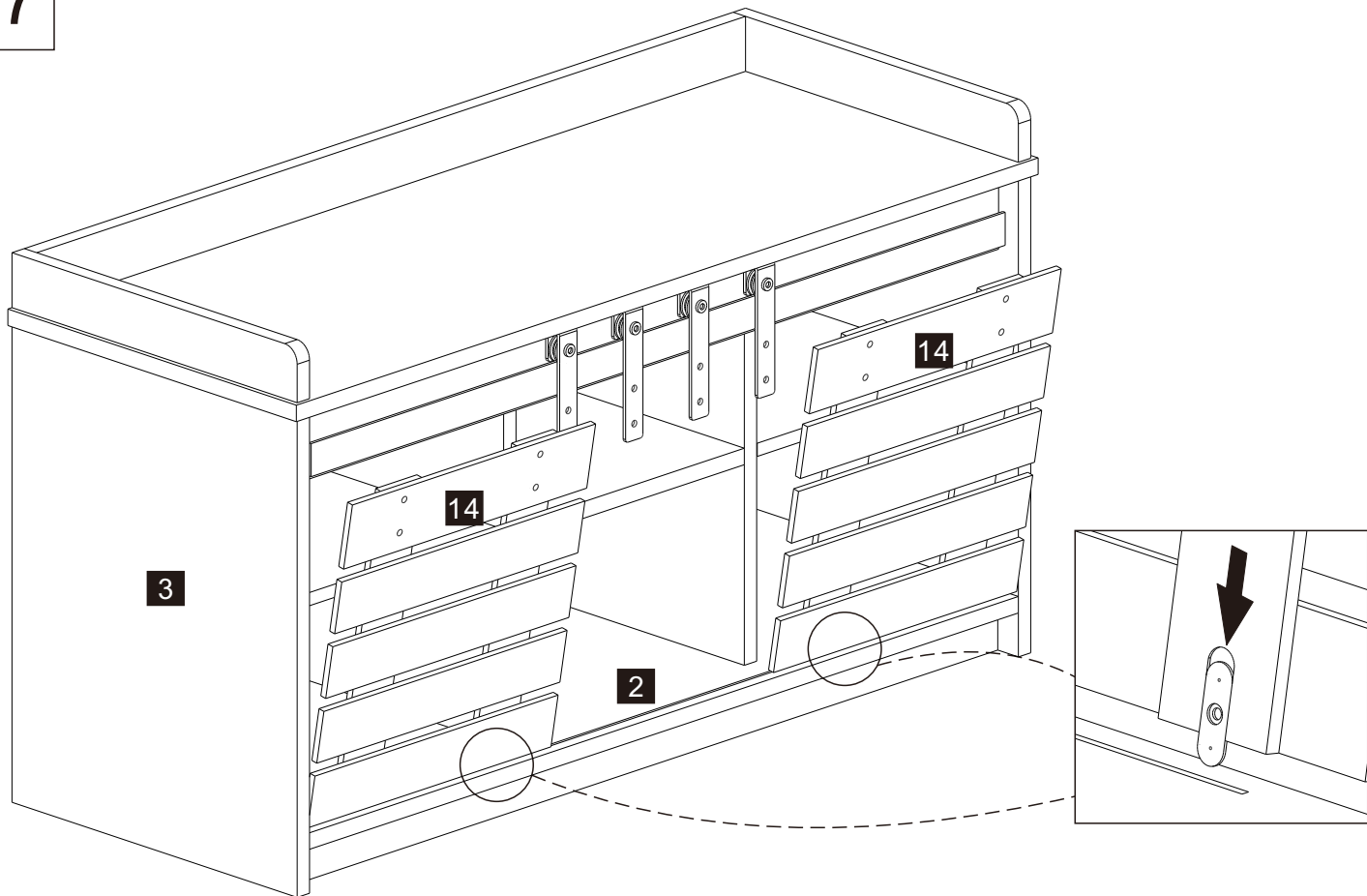
E x 4

F x 4

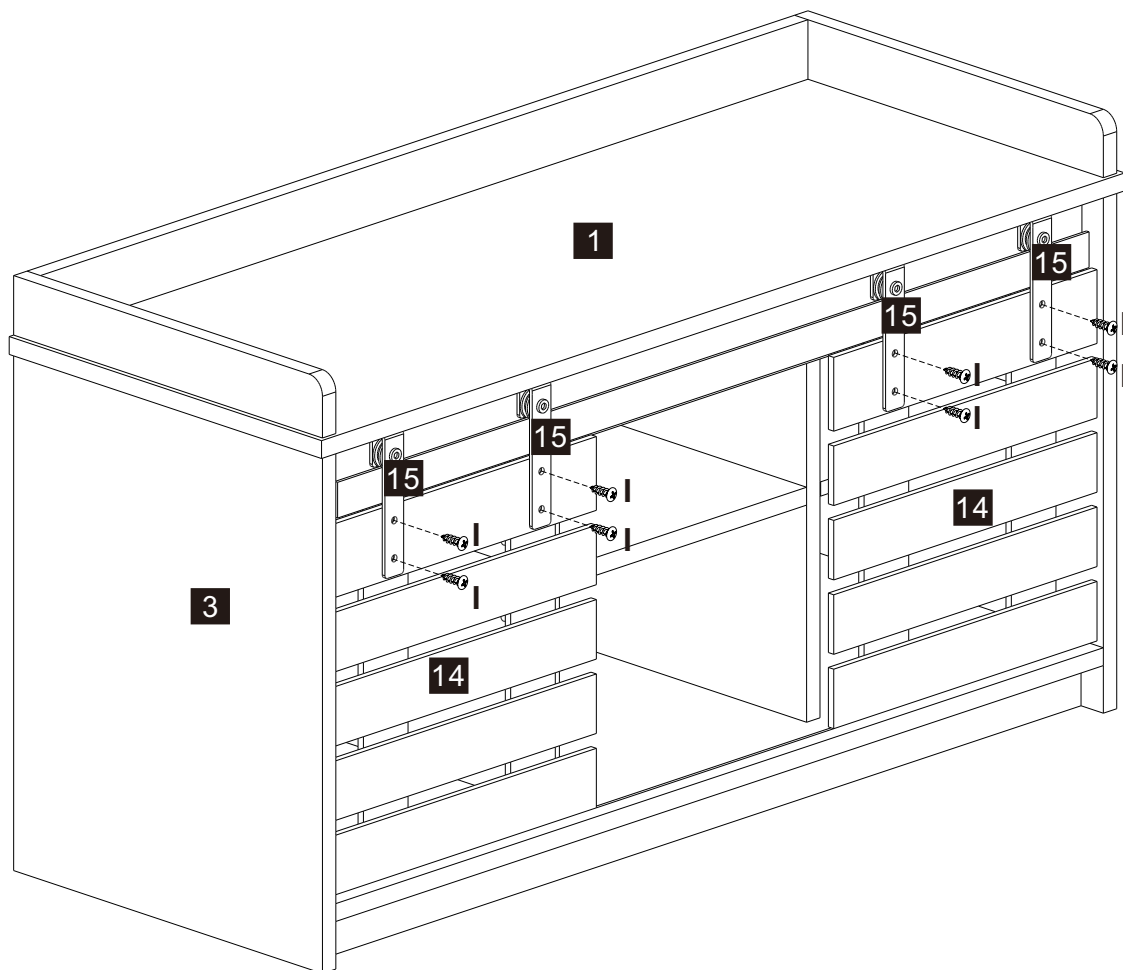


x2

17



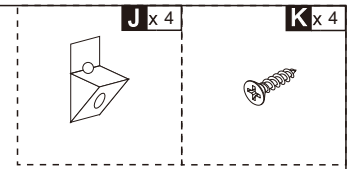
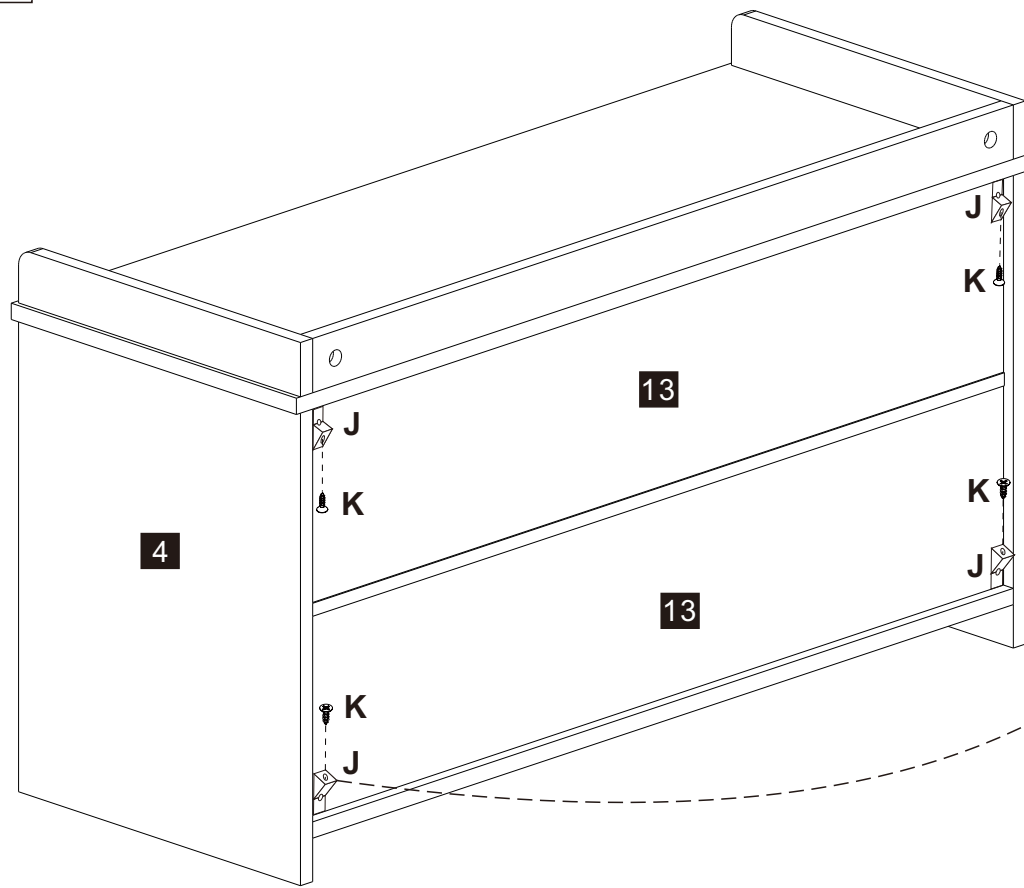
18



1 x 8



19



20

