



**FFST54**

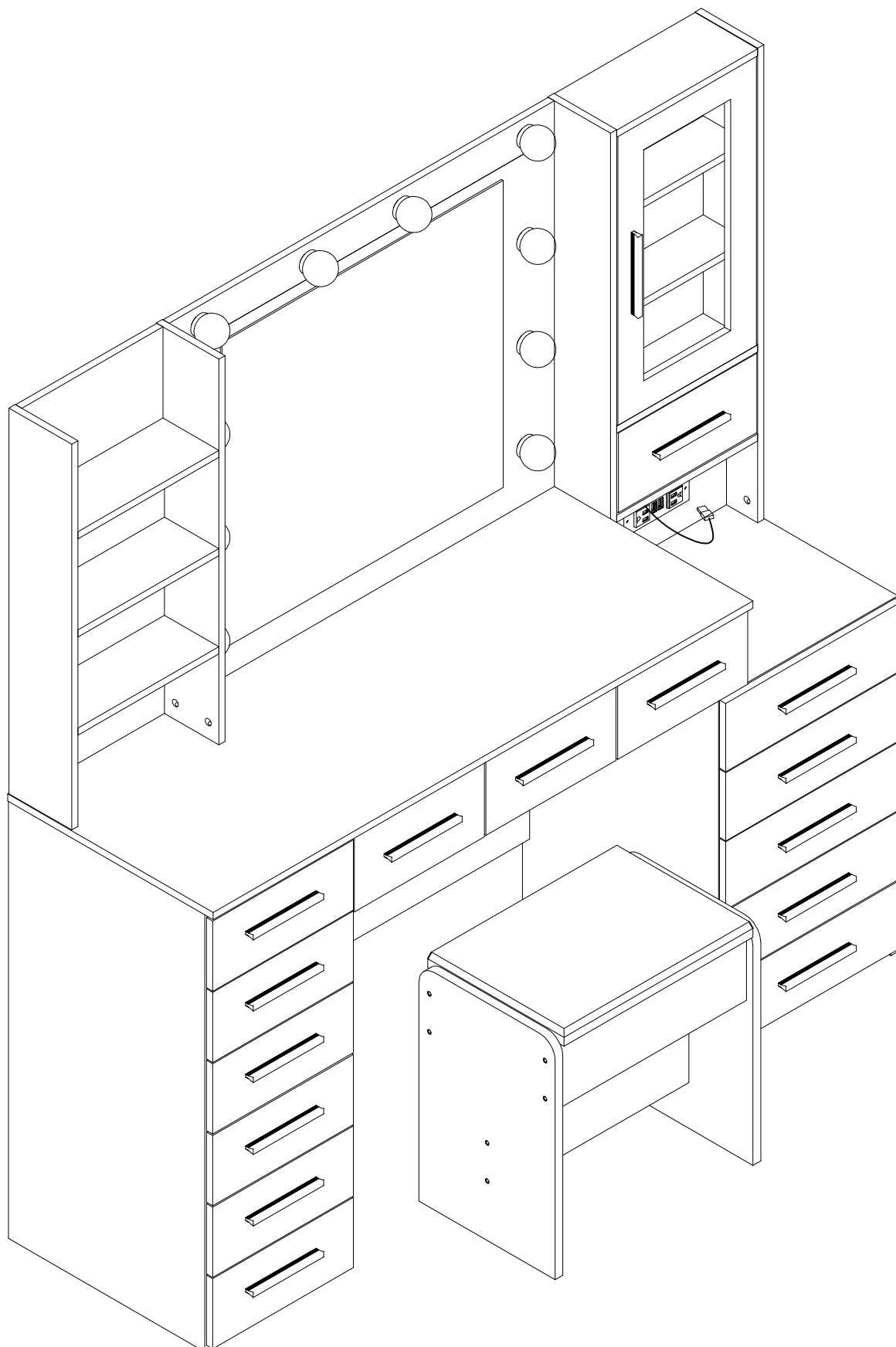
---

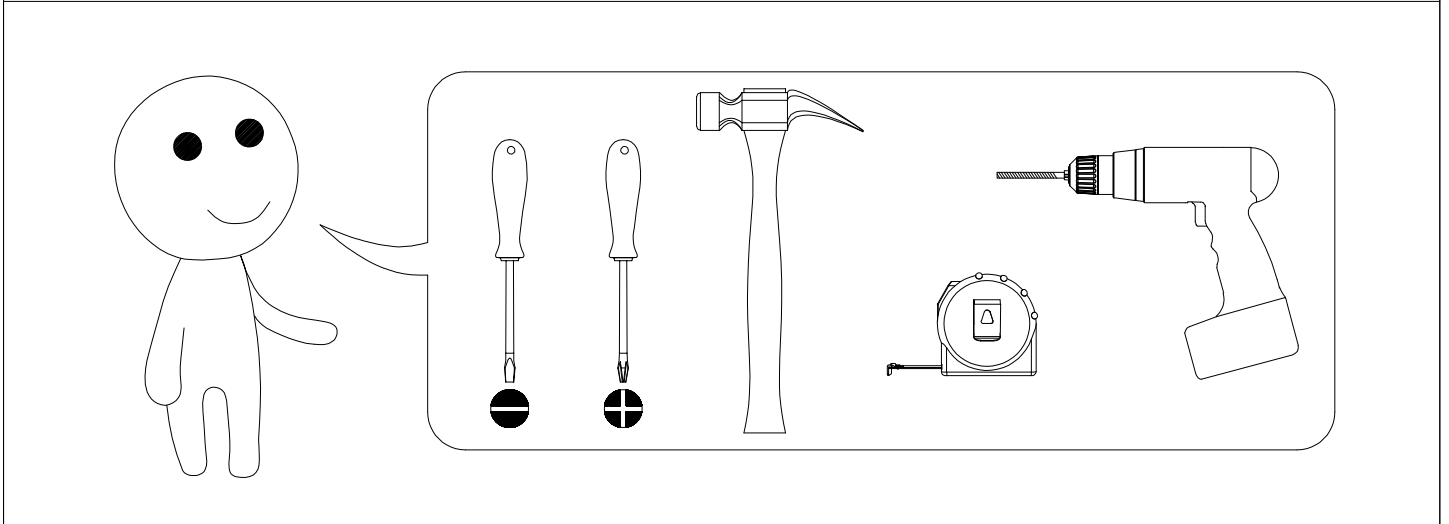
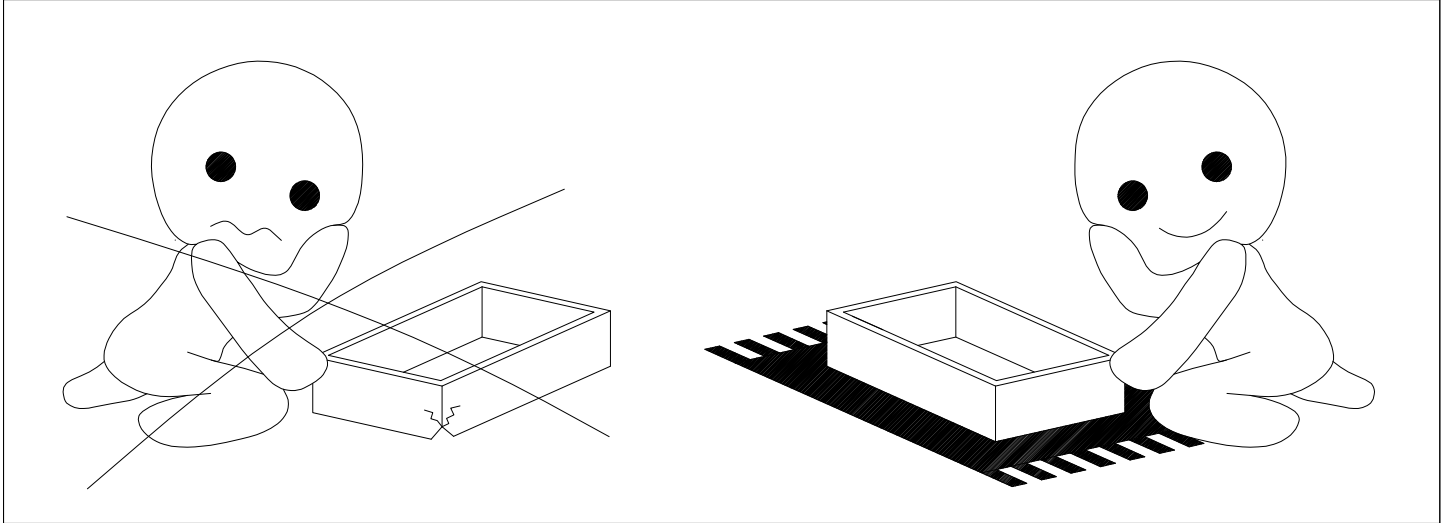
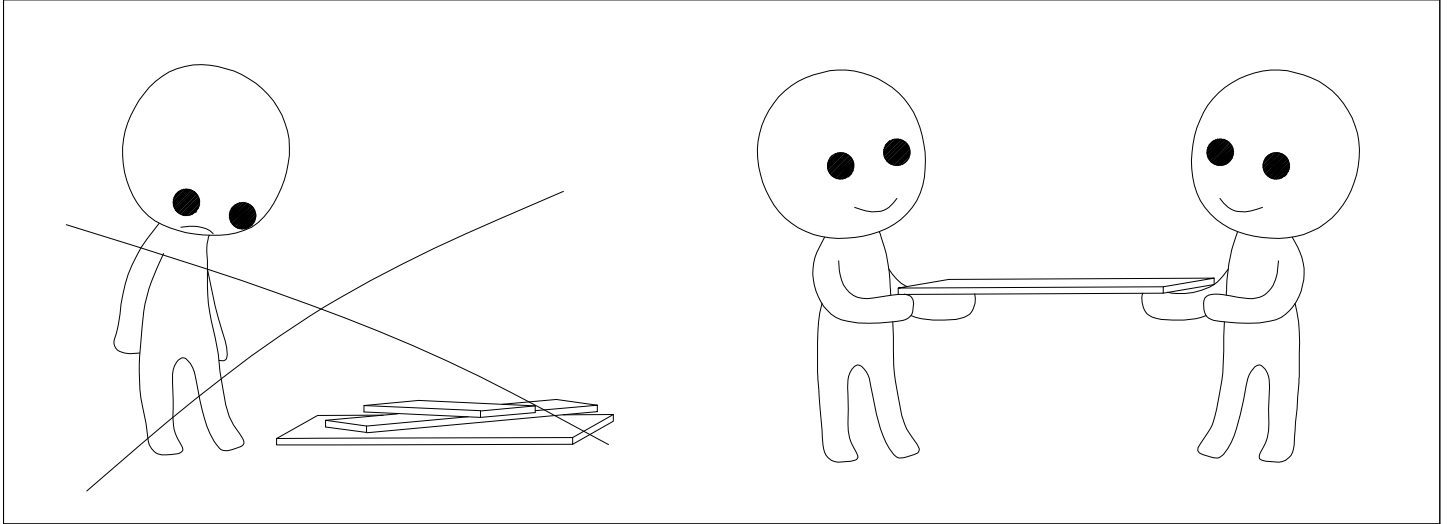
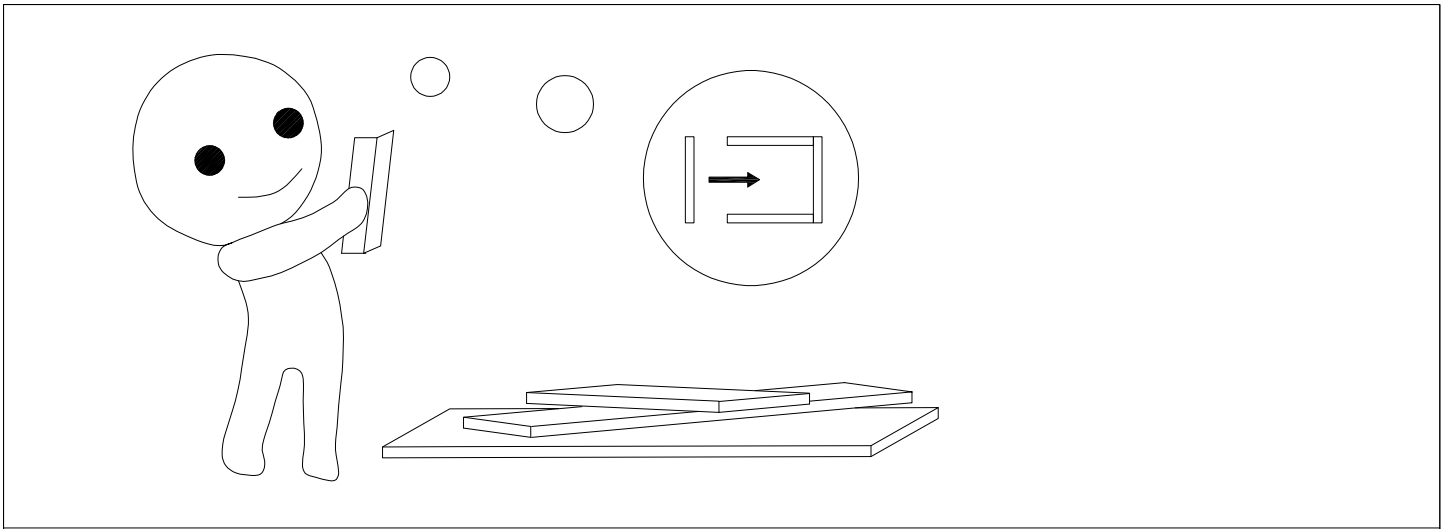
# **Instruction Manual**

---

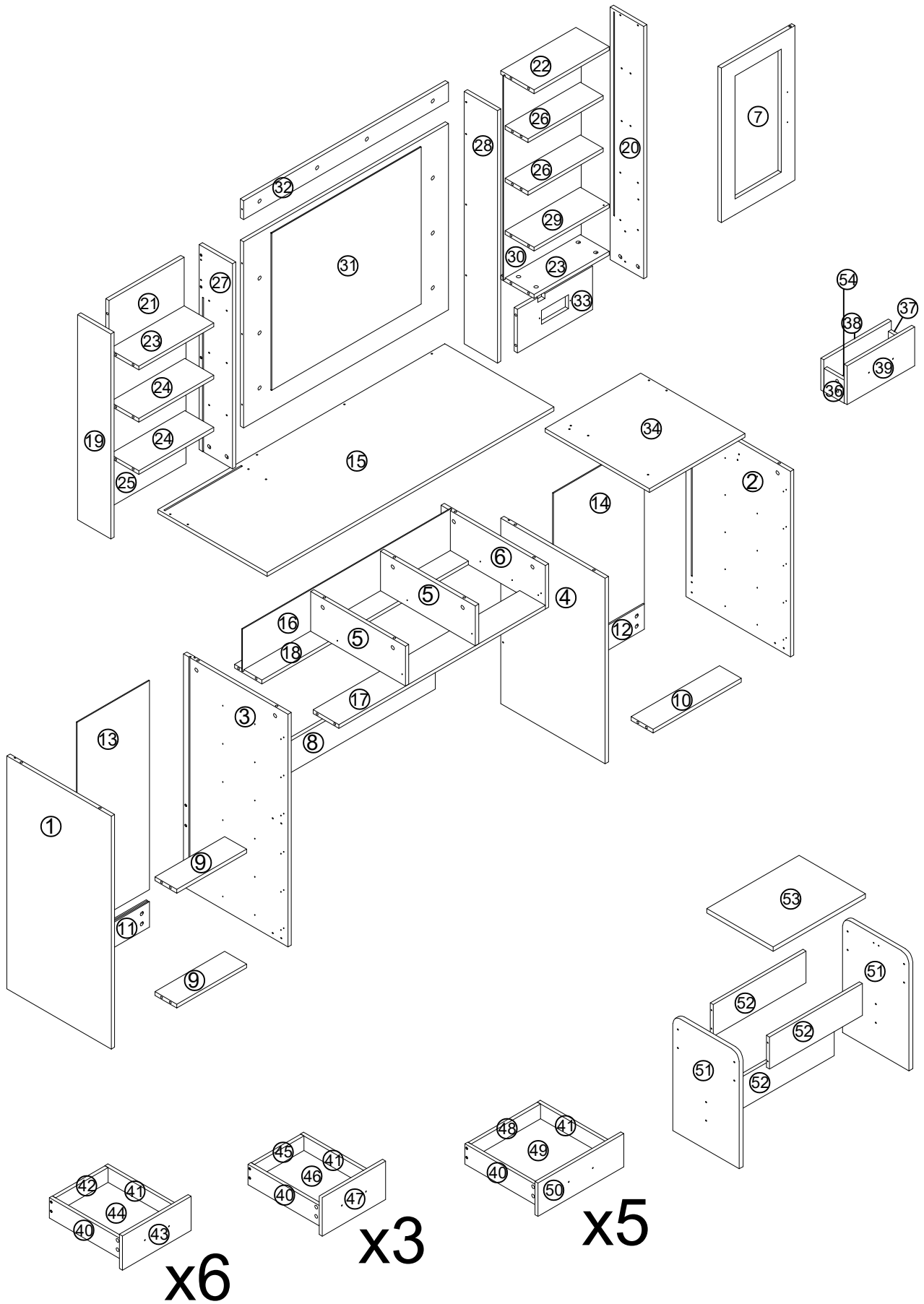
# Assembly Instruction

Decorate your home, Brighten wonderful life



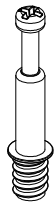


# PLATE NUMBER



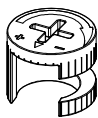
# ACCESSORIES LIST

A ×150



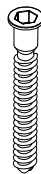
M6×35

B ×150



12×10

C ×93



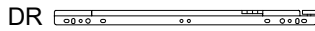
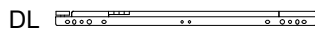
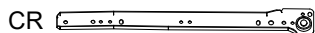
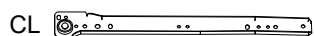
M5×40

D ×222



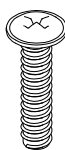
M3×12

E ×14



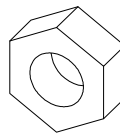
M300

F ×2

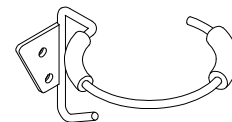


M4×20

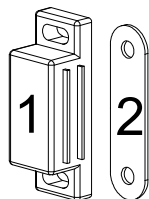
G ×2



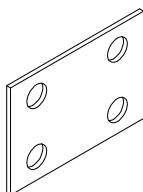
H ×1



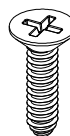
J ×1



K ×2



L ×16



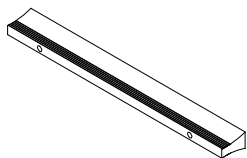
M3.5×14

M ×32



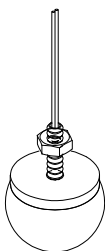
M4×14

N ×16



M96

P ×10

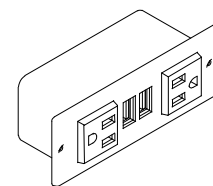


Q ×18

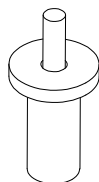


M3.5×12

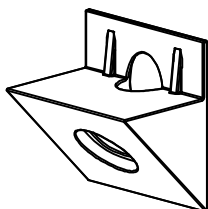
R ×1



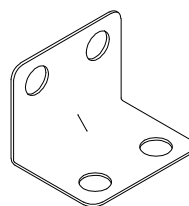
S ×2



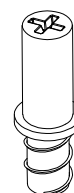
T ×16



U ×2

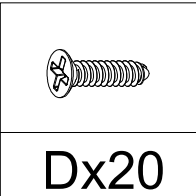
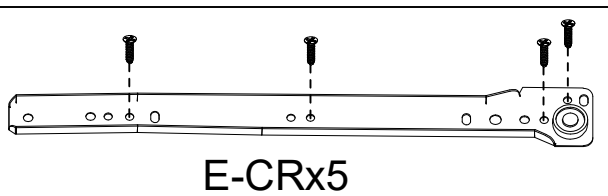
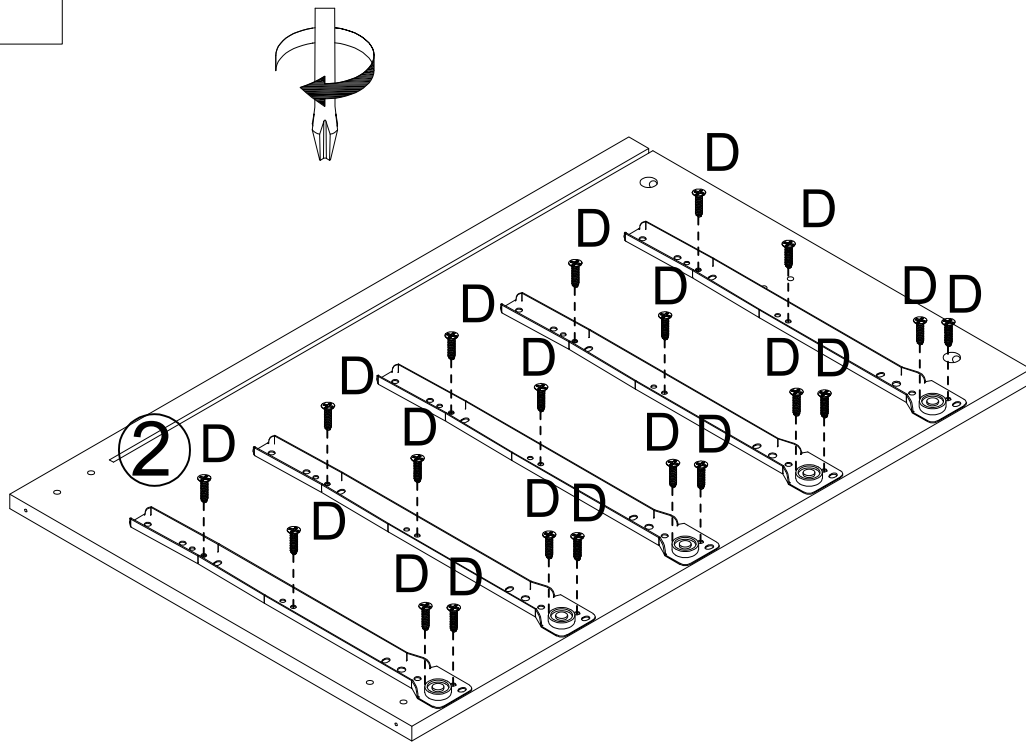


V ×2

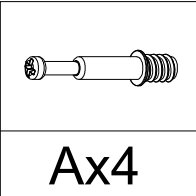
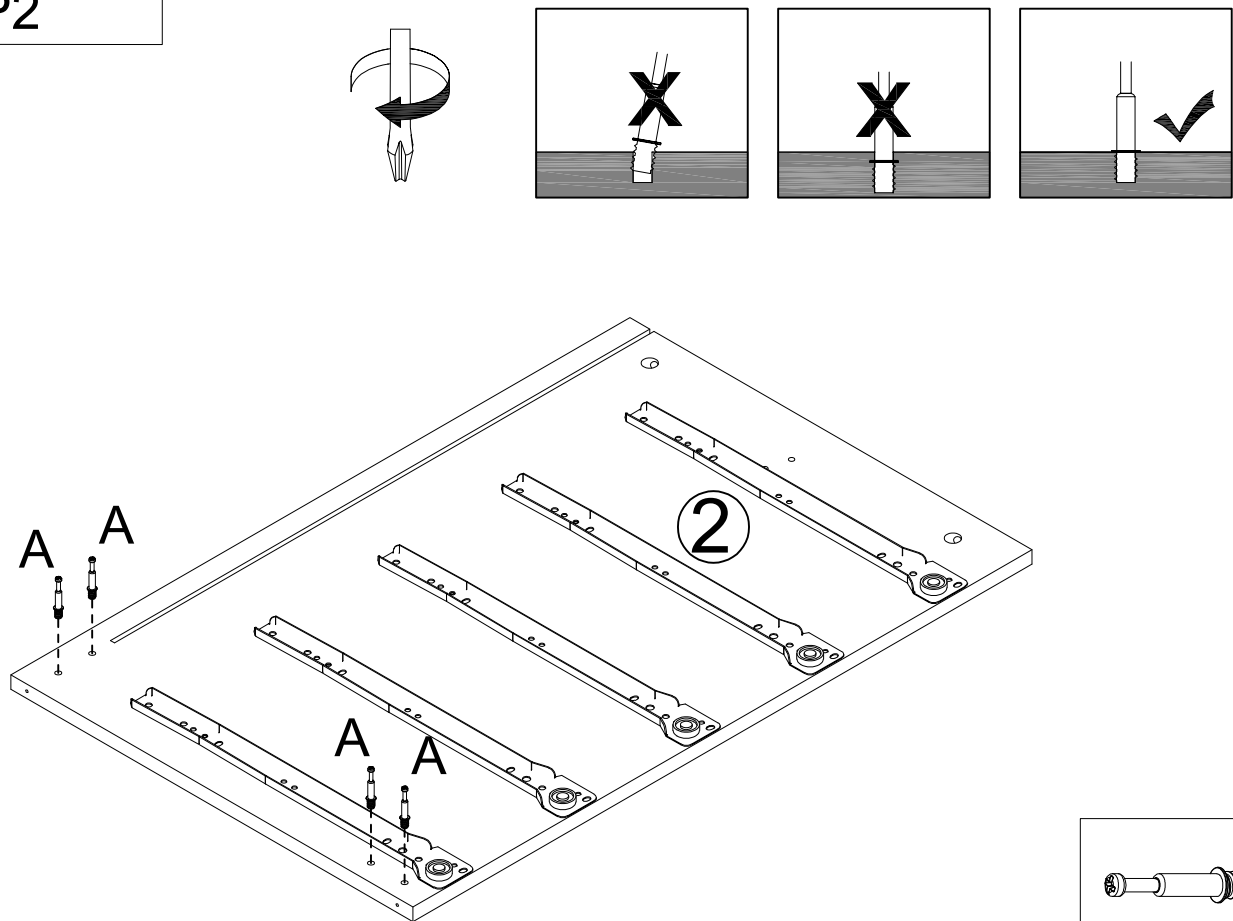




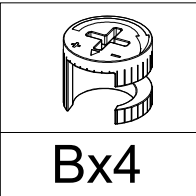
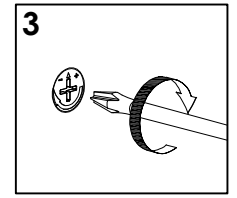
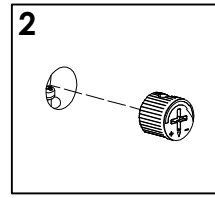
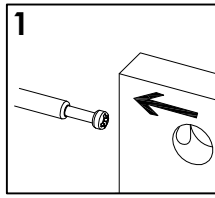
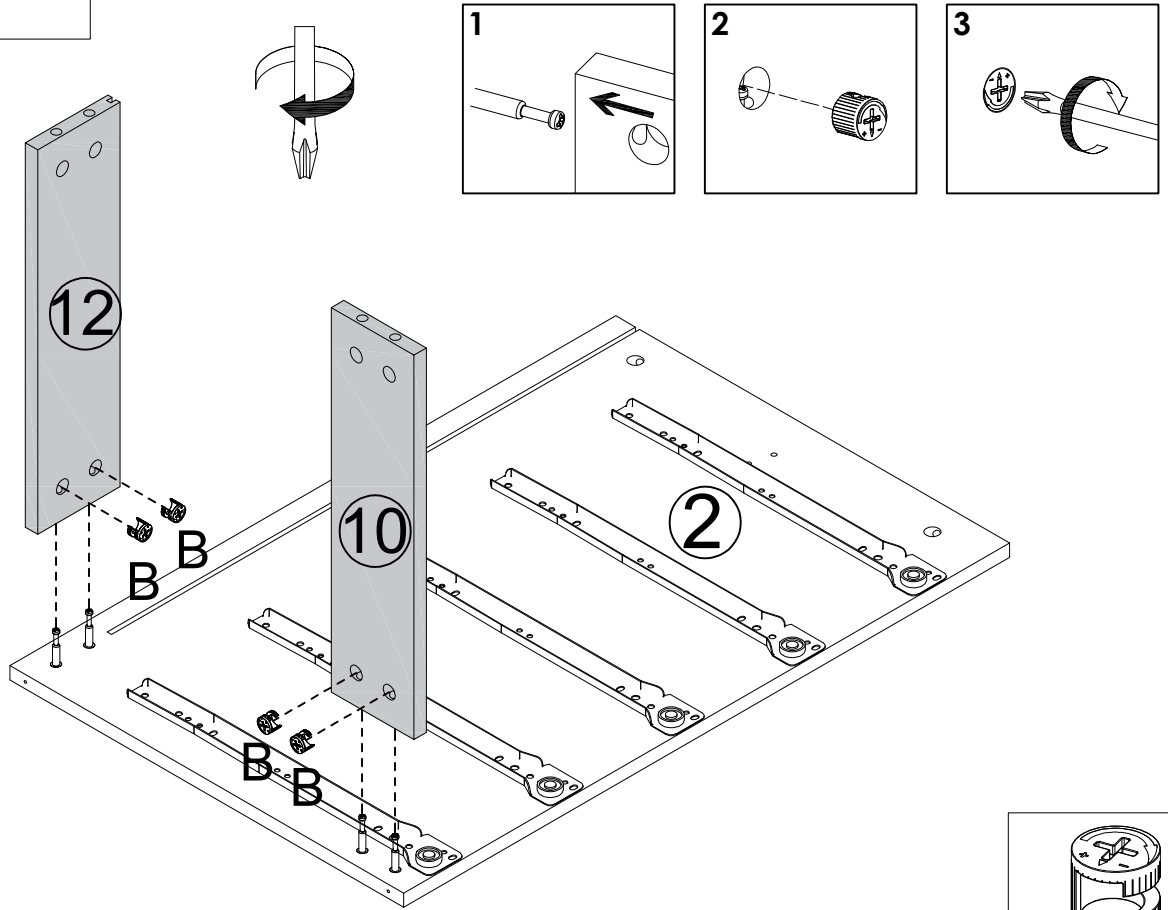
# STEP1



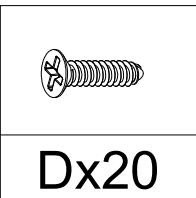
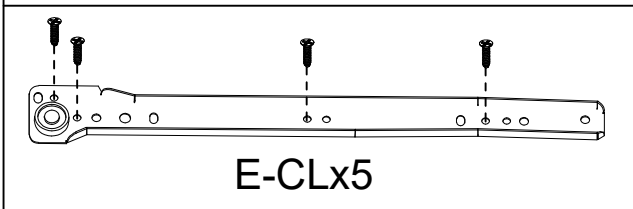
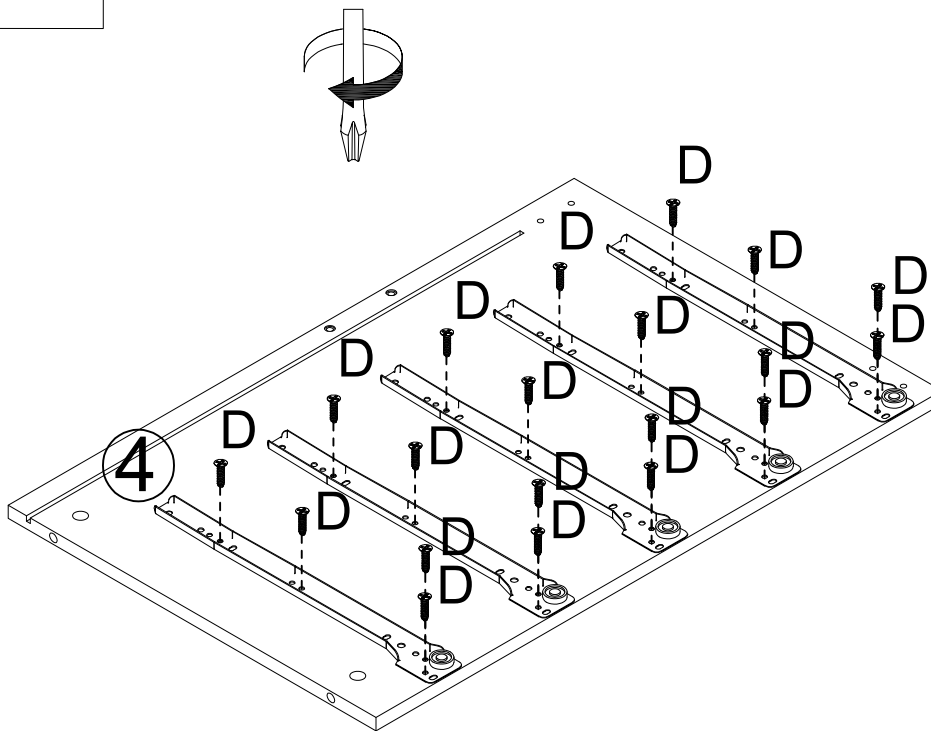
# STEP2



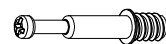
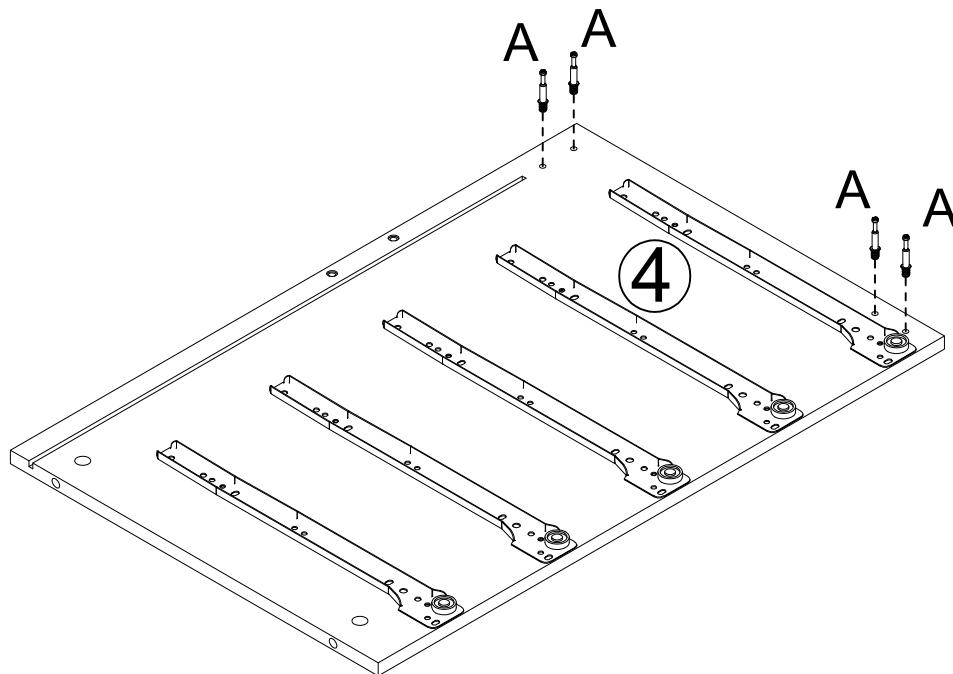
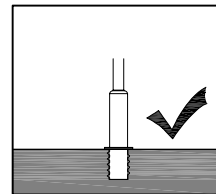
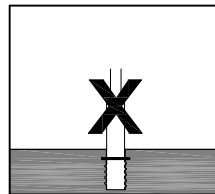
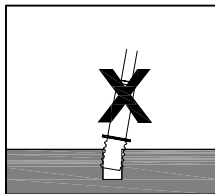
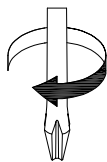
# STEP3



# STEP4

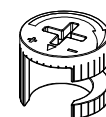
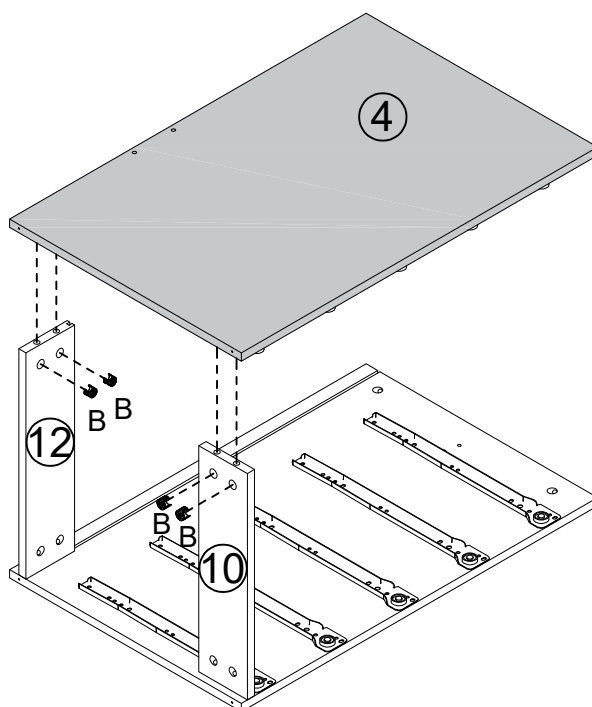
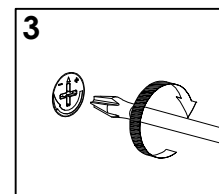
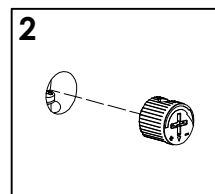
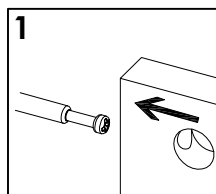
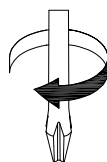


# STEP5



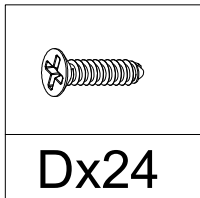
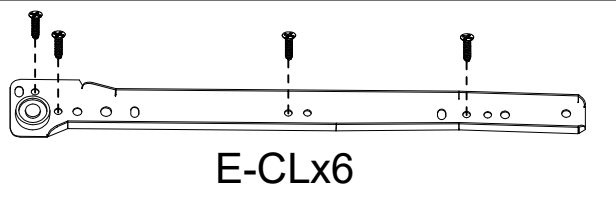
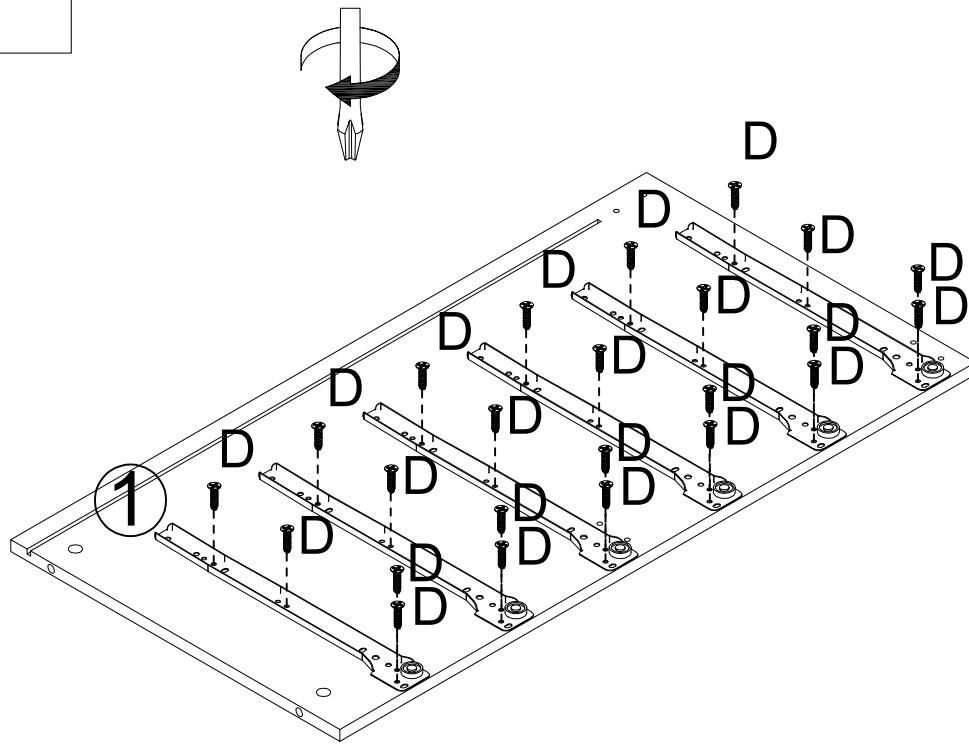
Ax4

# STEP6

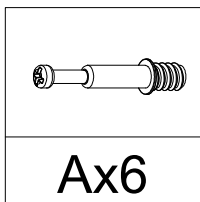
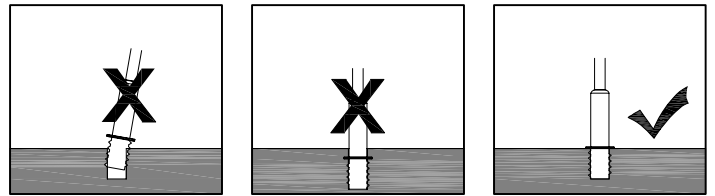
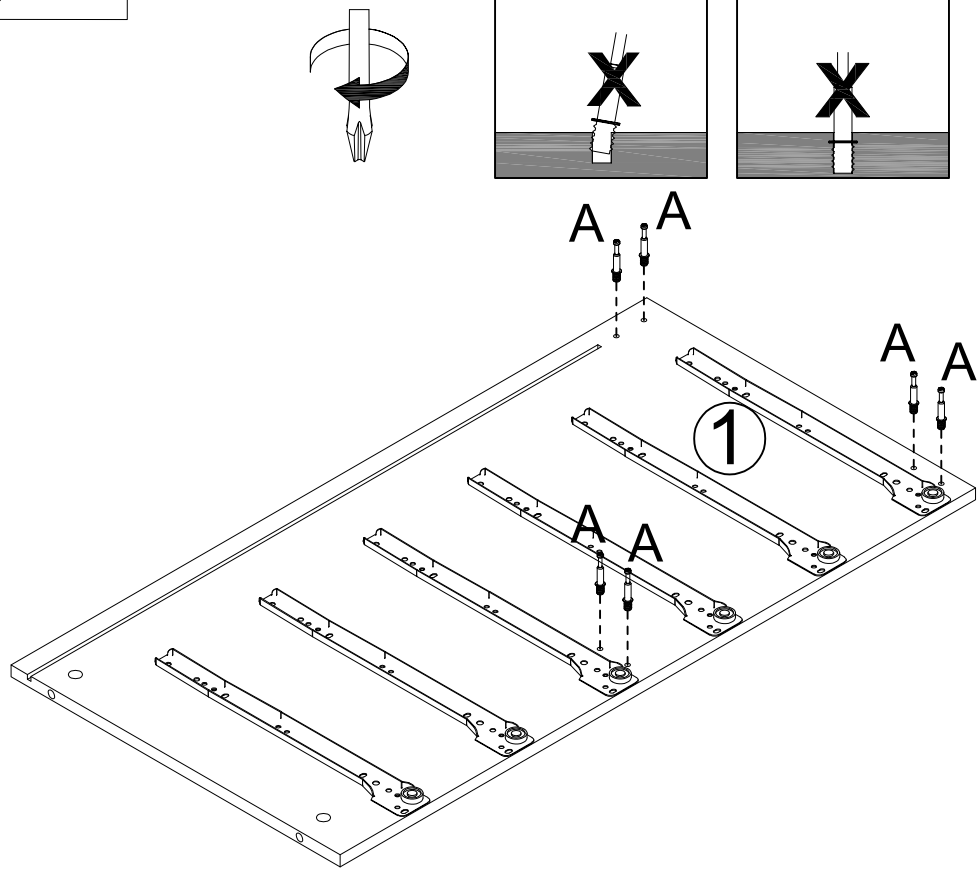


Bx4

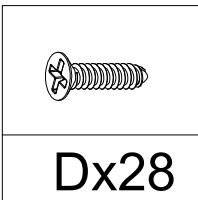
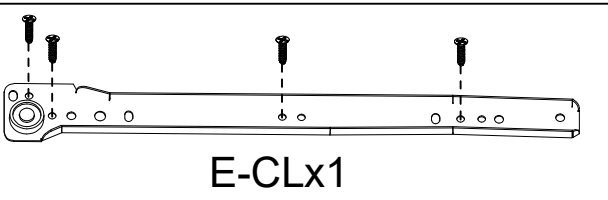
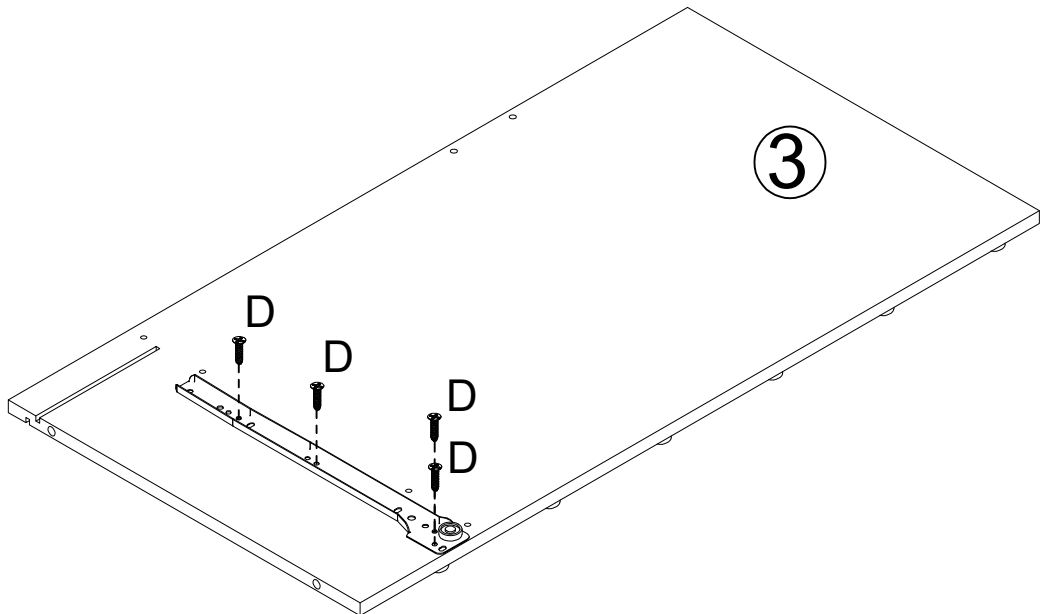
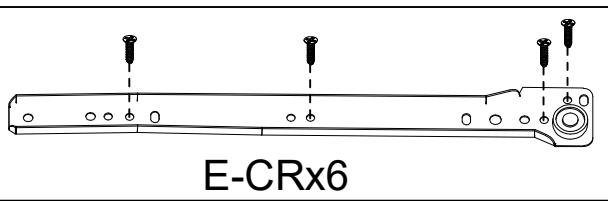
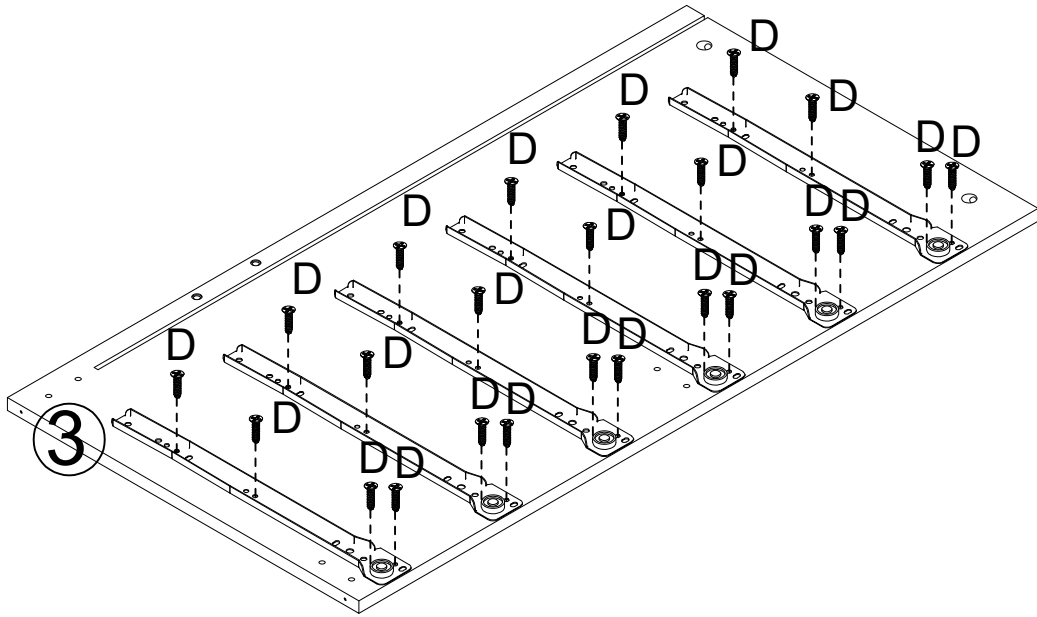
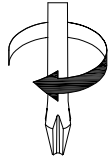
# STEP7



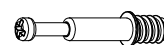
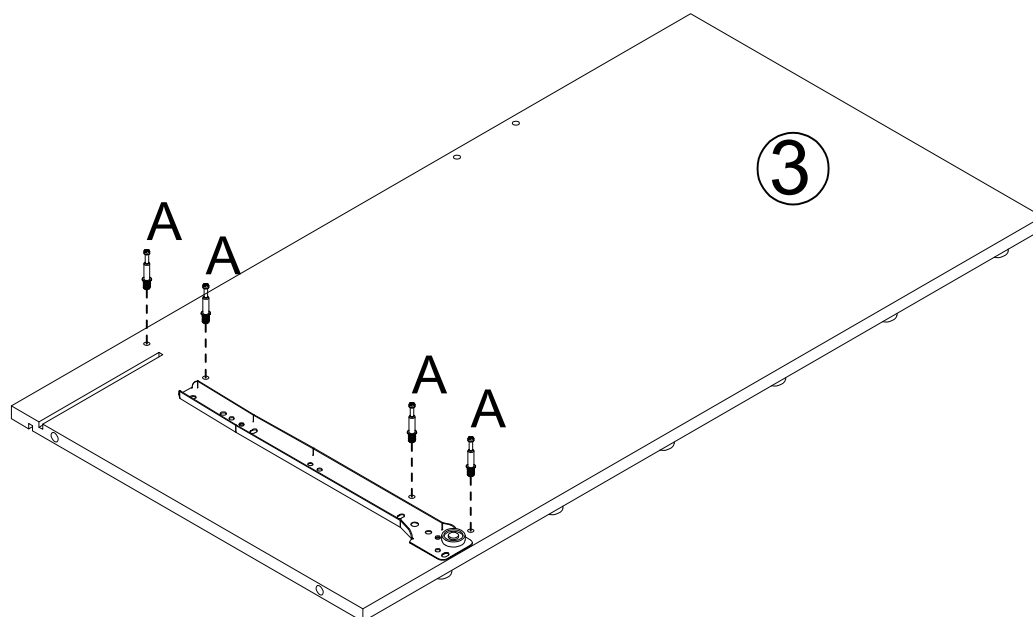
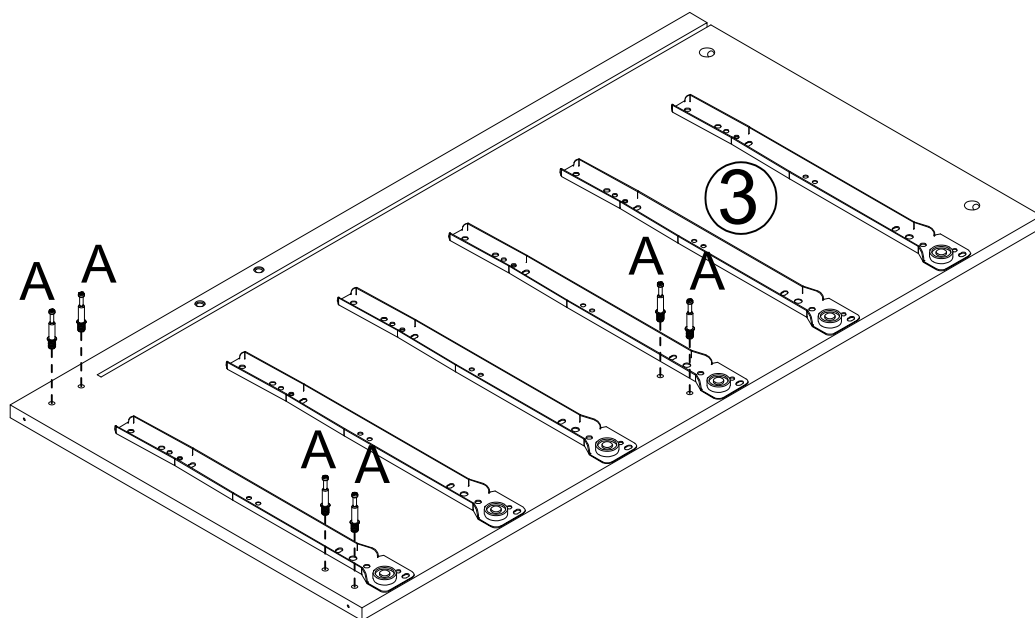
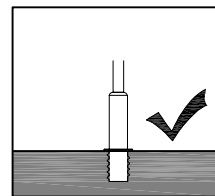
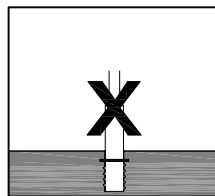
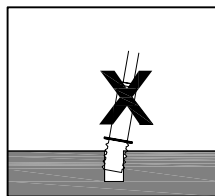
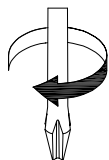
# STEP8



# STEP 9

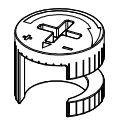
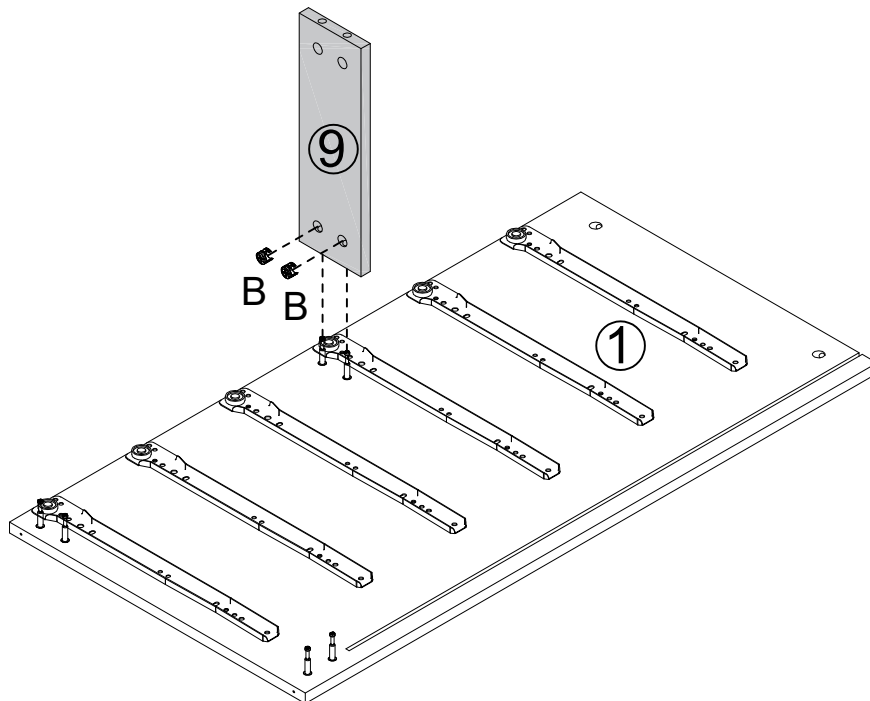
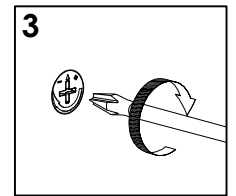
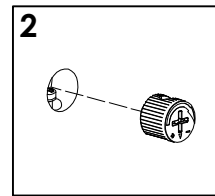
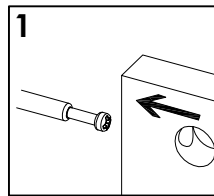
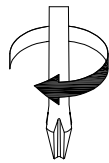


# STEP 10



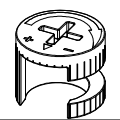
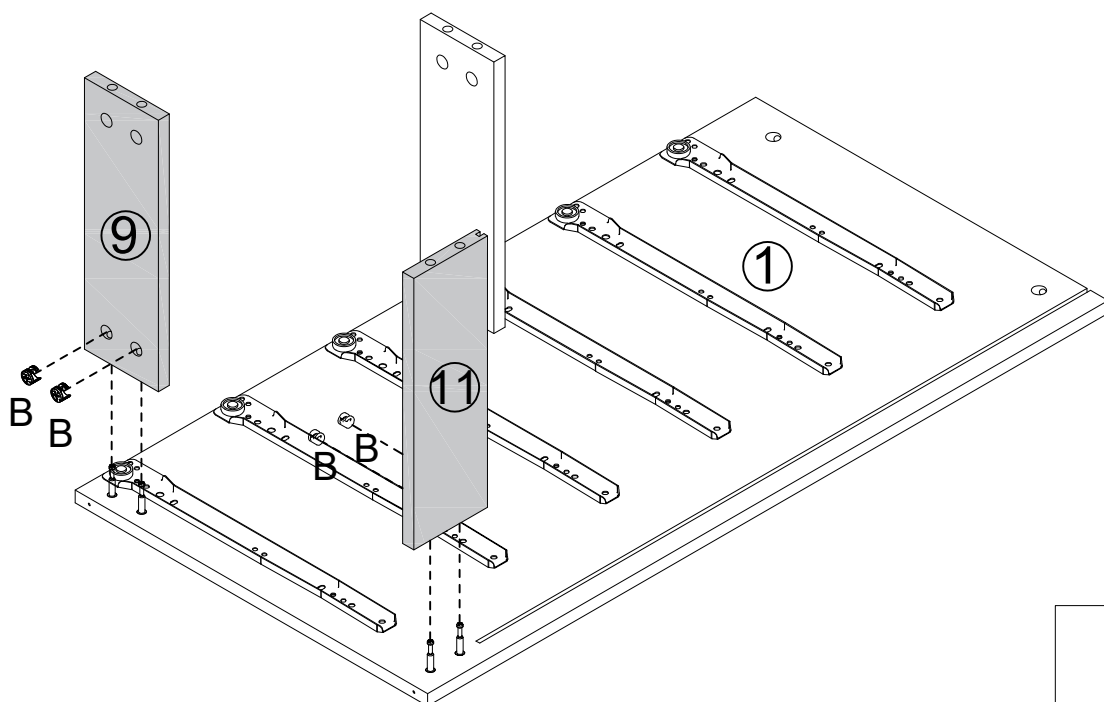
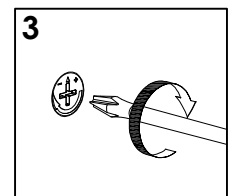
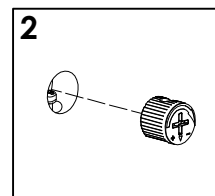
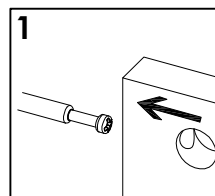
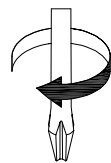
Ax10

# STEP 11



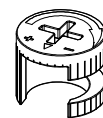
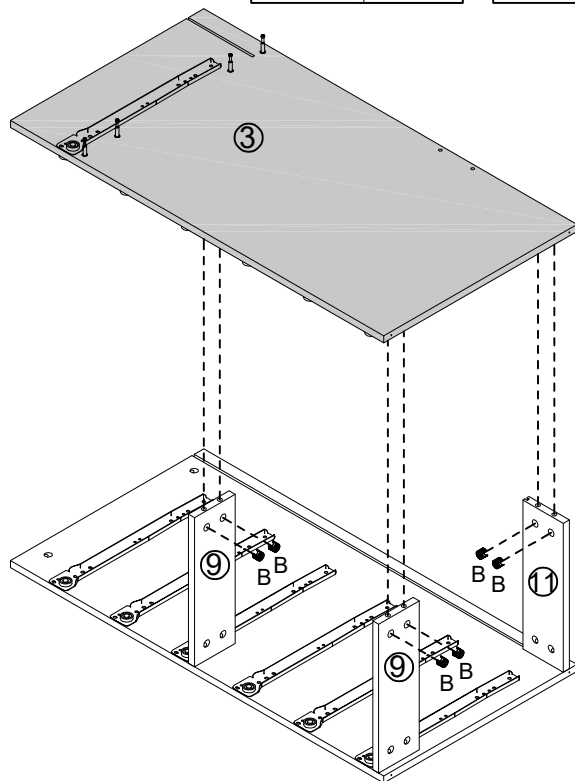
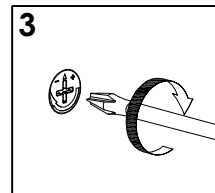
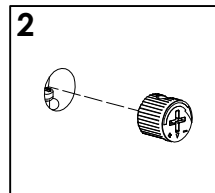
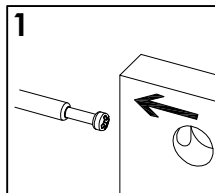
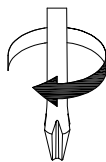
Bx2

# STEP 12



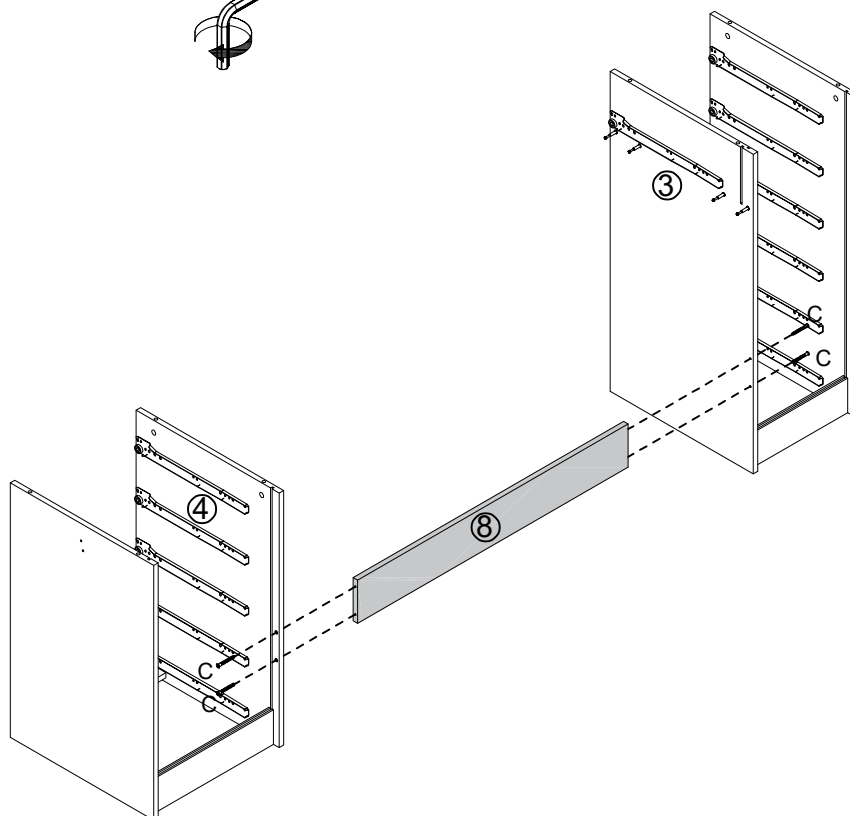
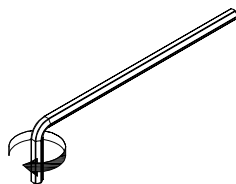
Bx4

# STEP13



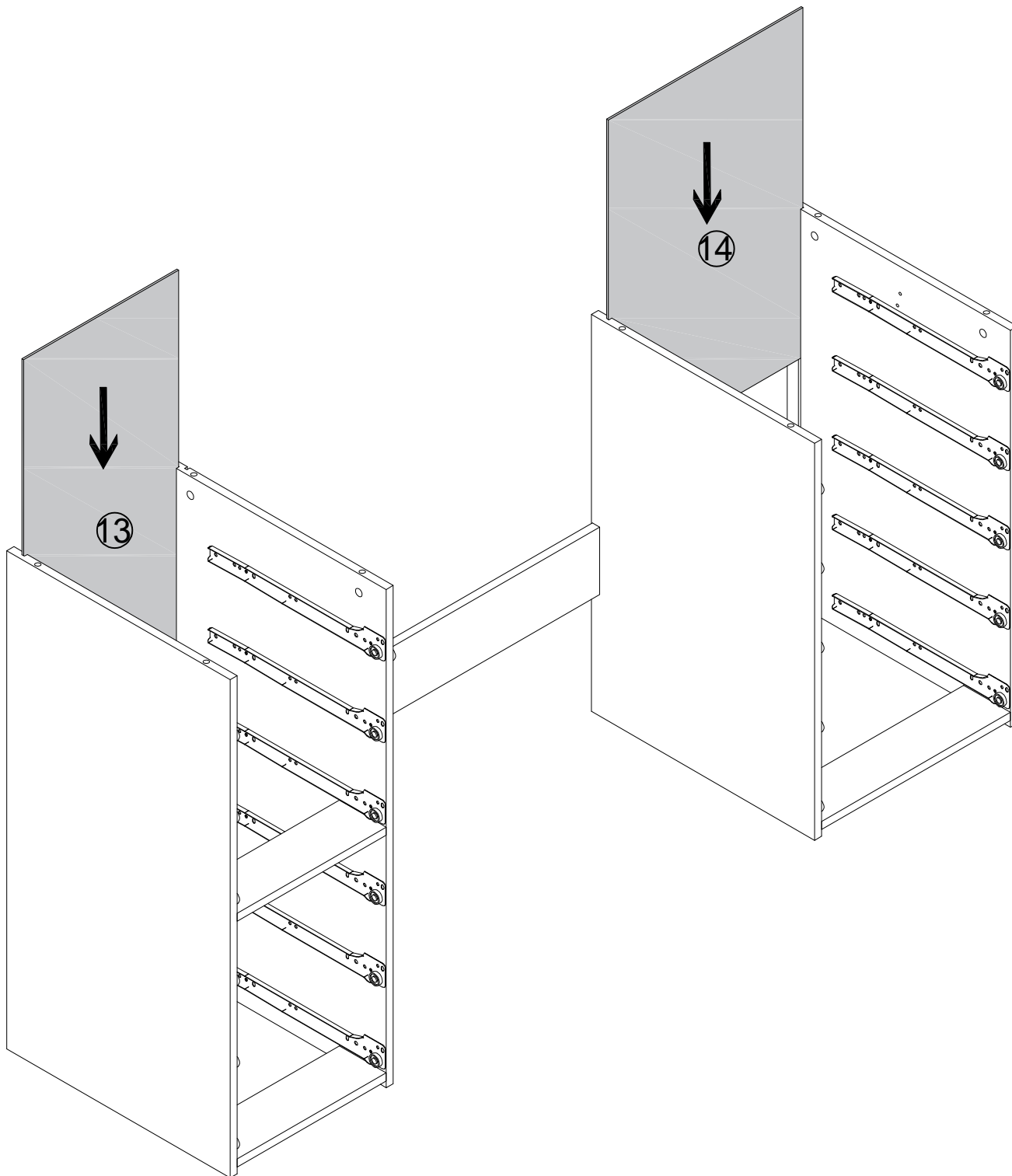
Bx6

# STEP14

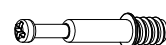
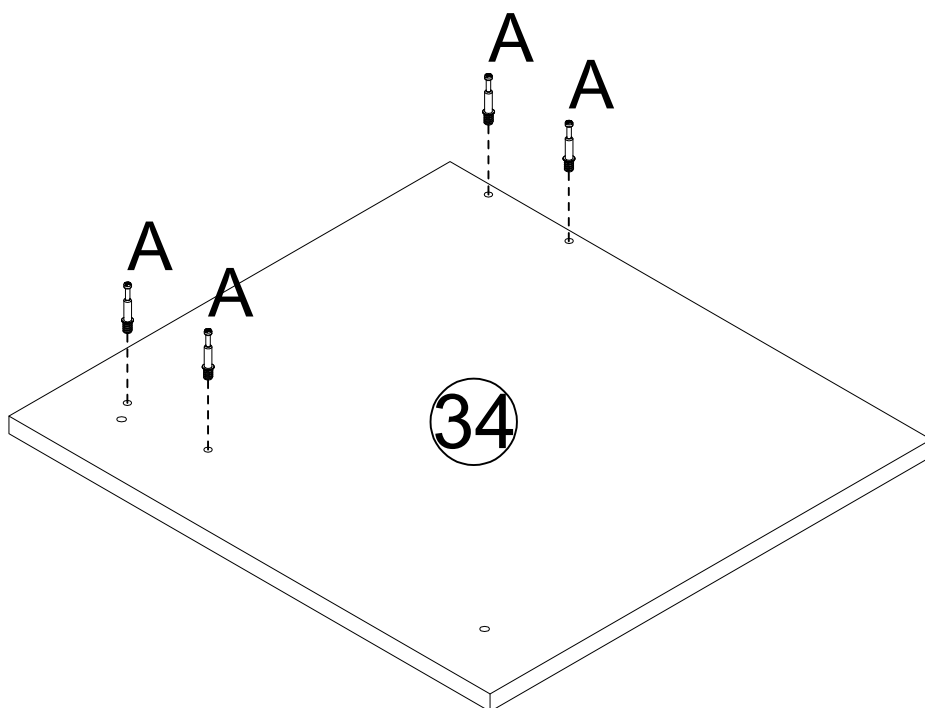
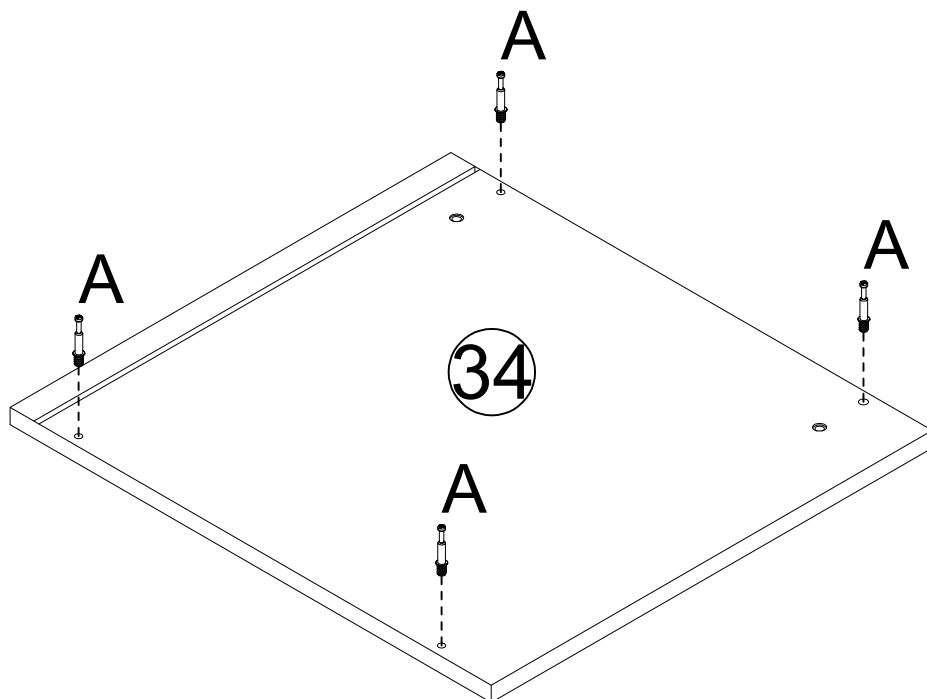
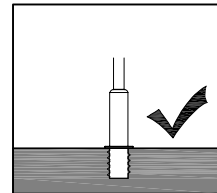
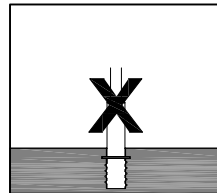
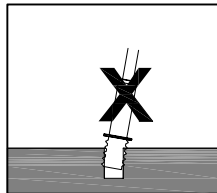
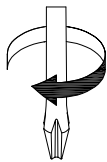


Cx4

# STEP 15

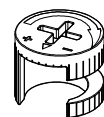
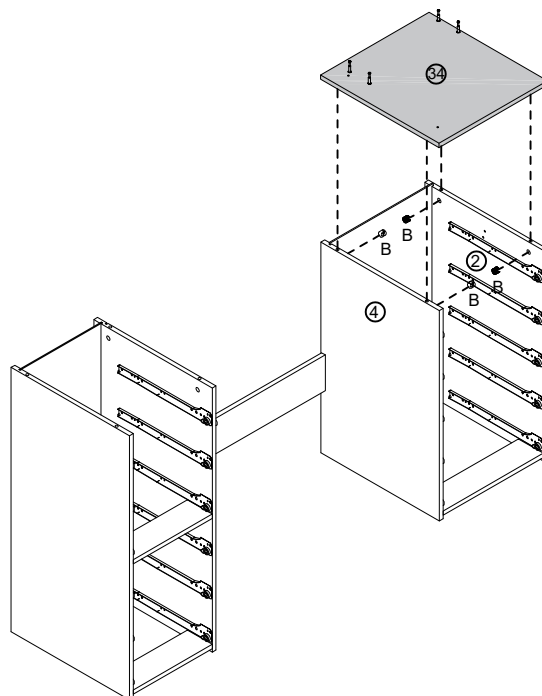
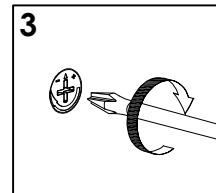
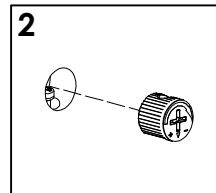
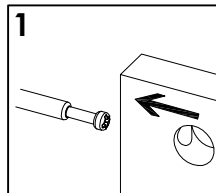
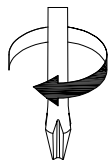


STEP 16



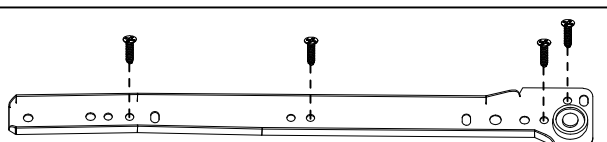
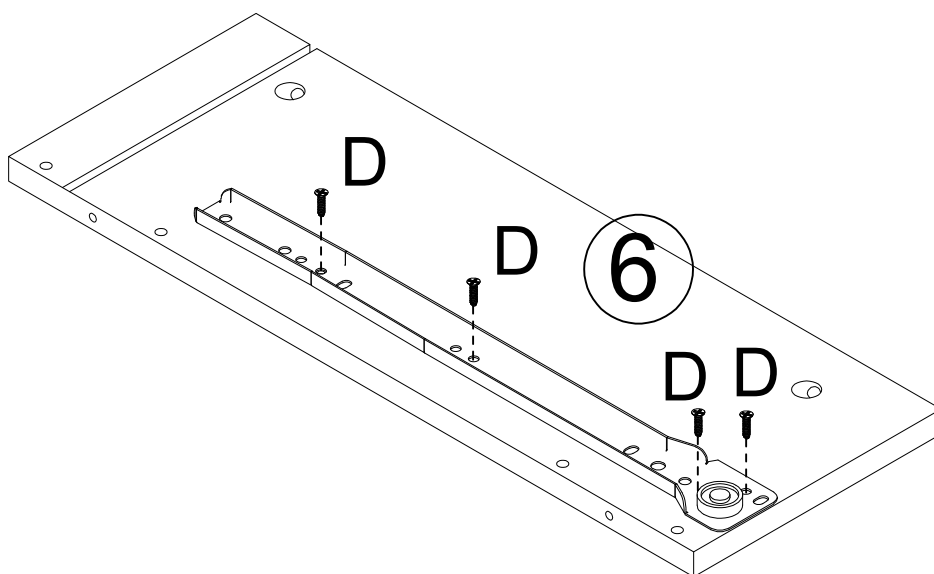
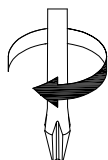
Ax8

# STEP17



Bx4

# STEP18

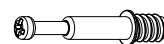
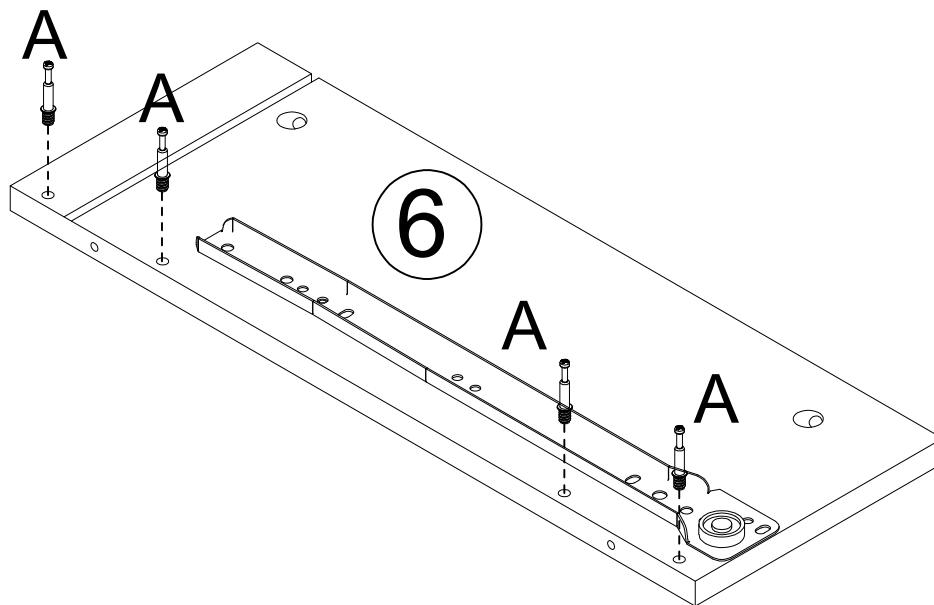
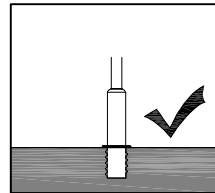
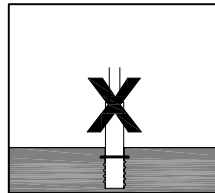
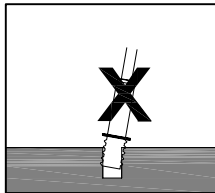
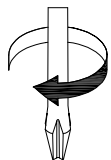


E-CRx1



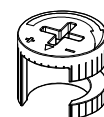
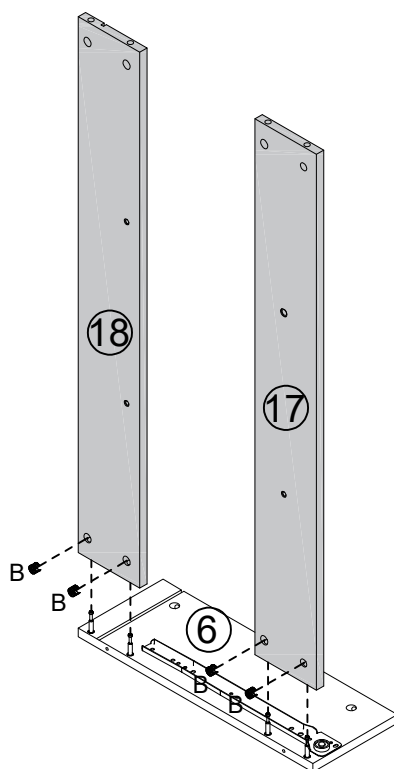
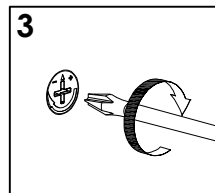
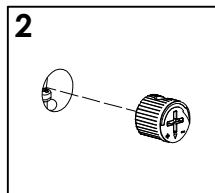
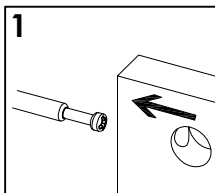
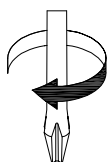
Dx4

# STEP19



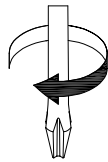
Ax4

# STEP20

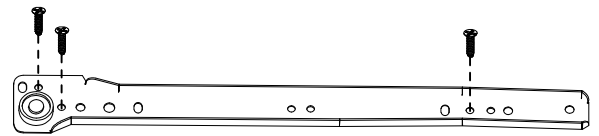


Bx4

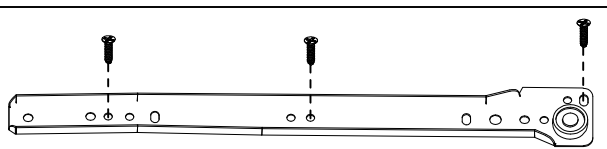
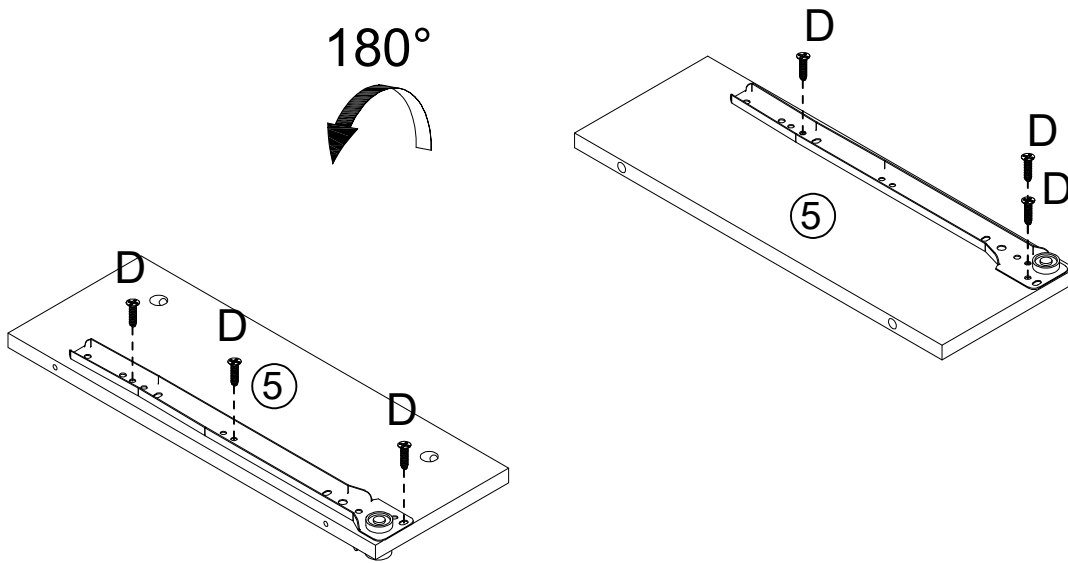
# STEP21x2



180°



E-CLx2

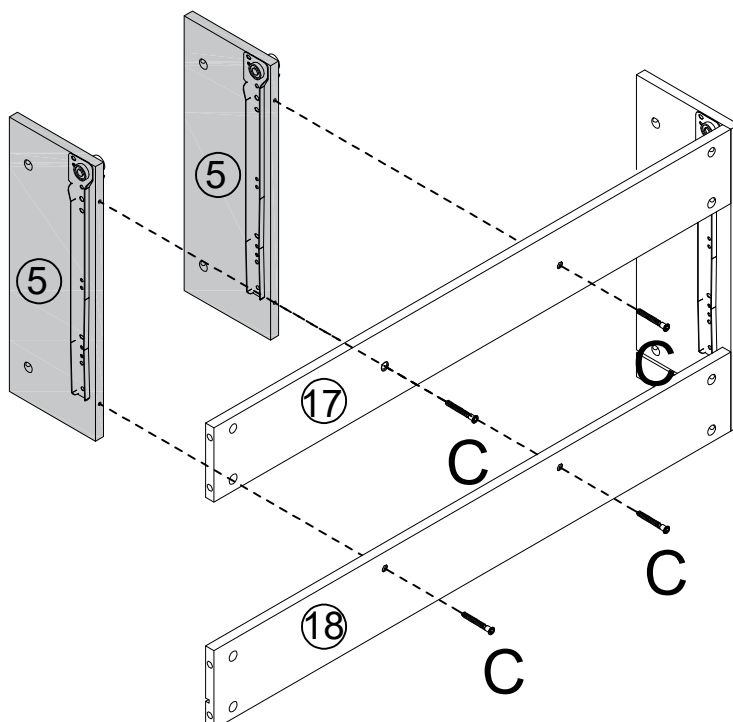
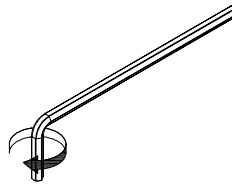


E-CRx2



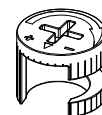
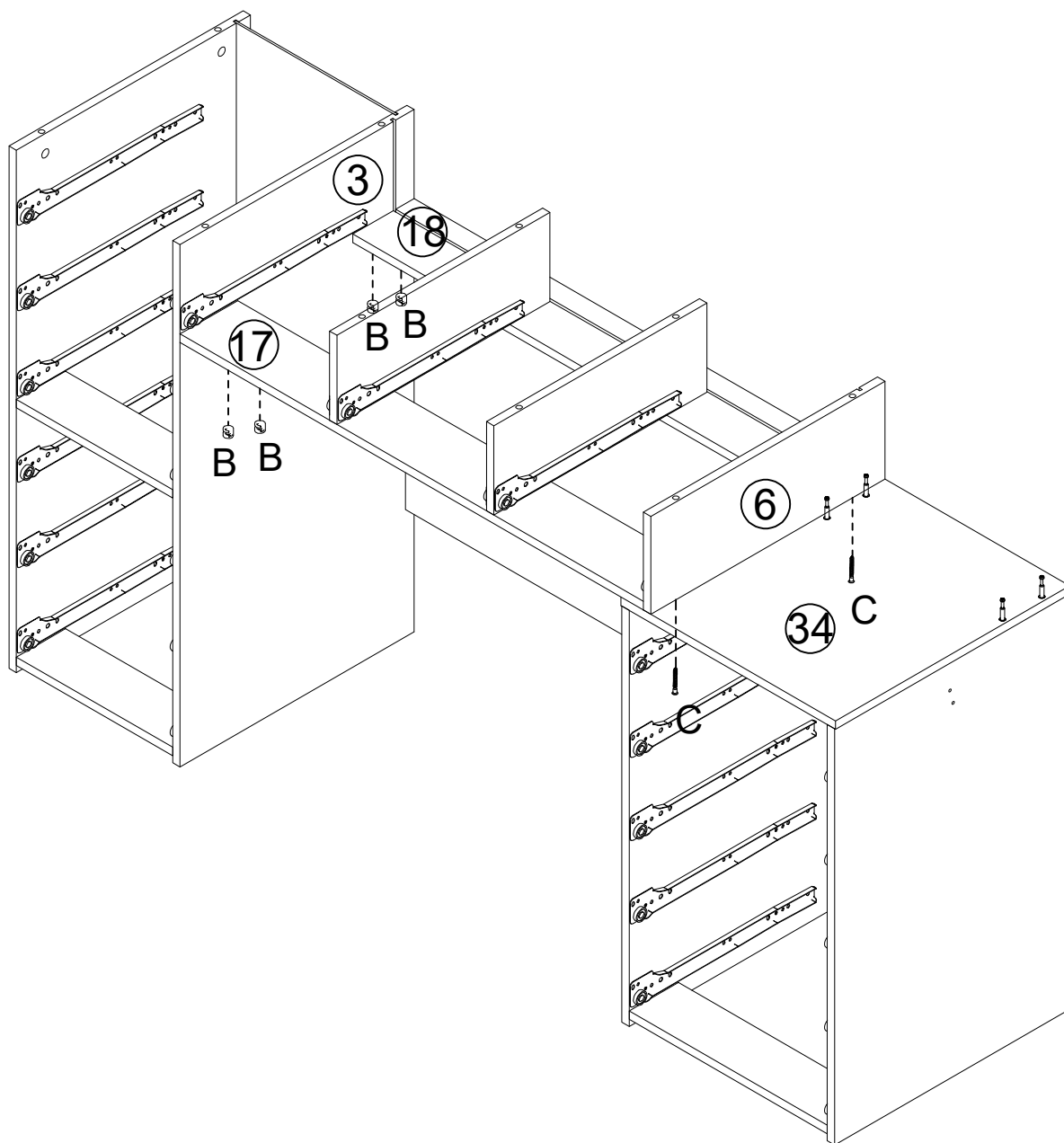
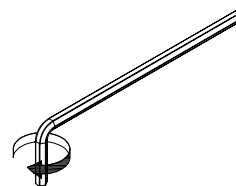
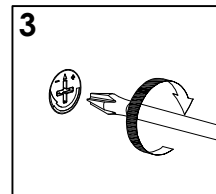
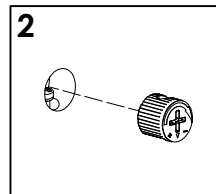
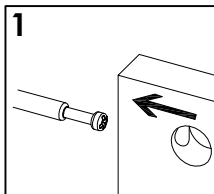
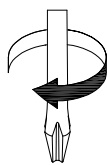
Dx12

# STEP22



Cx4

# STEP 23

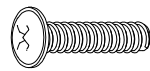
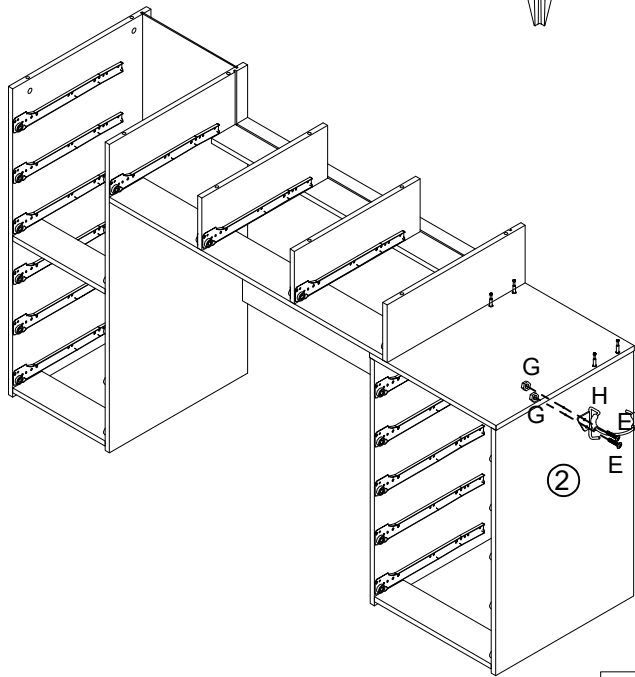
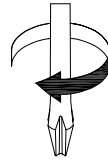


Bx4

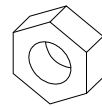


Cx2

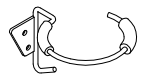
# STEP24



Fx2

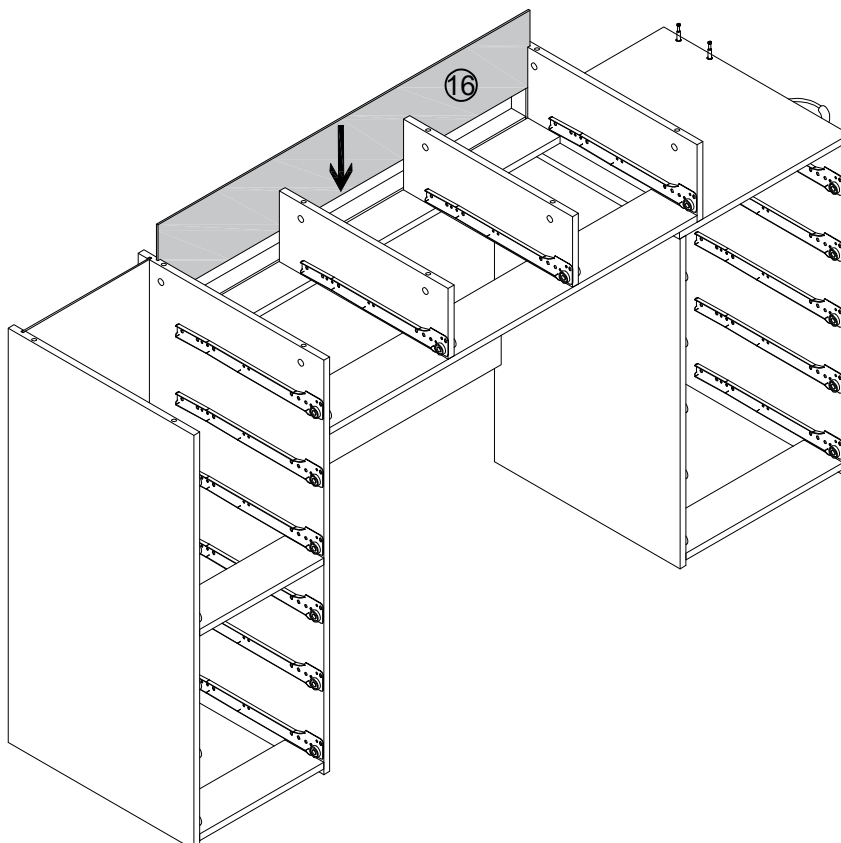


Gx2

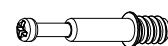
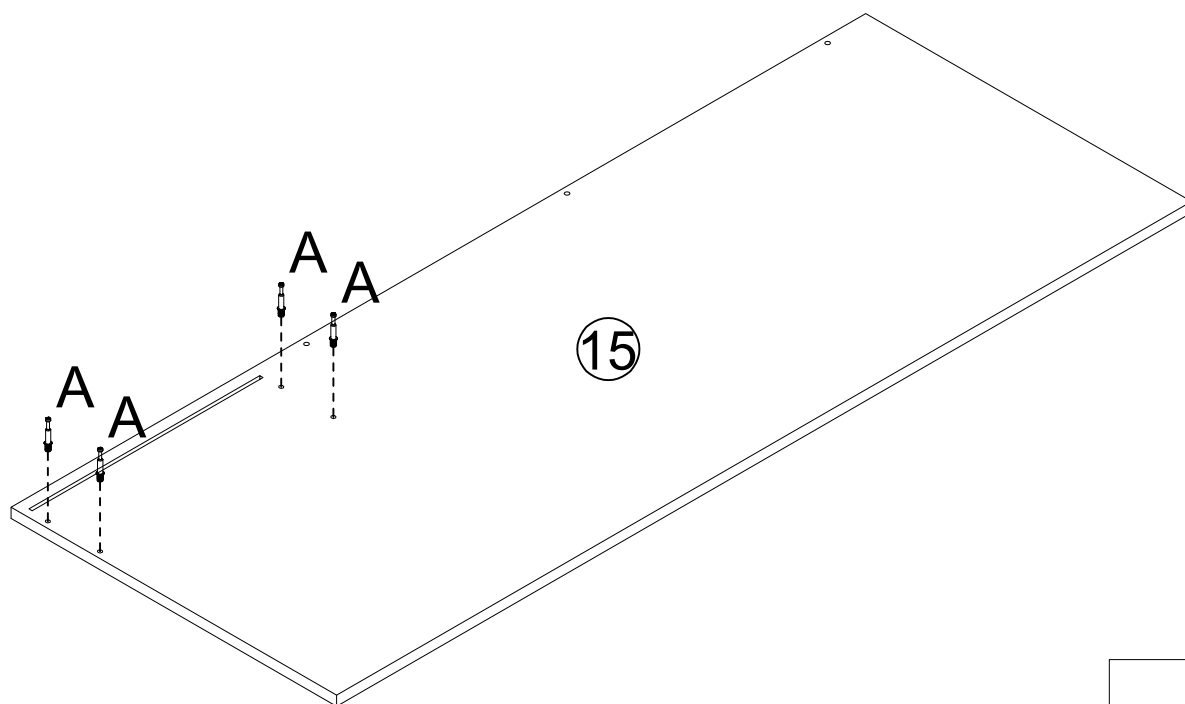
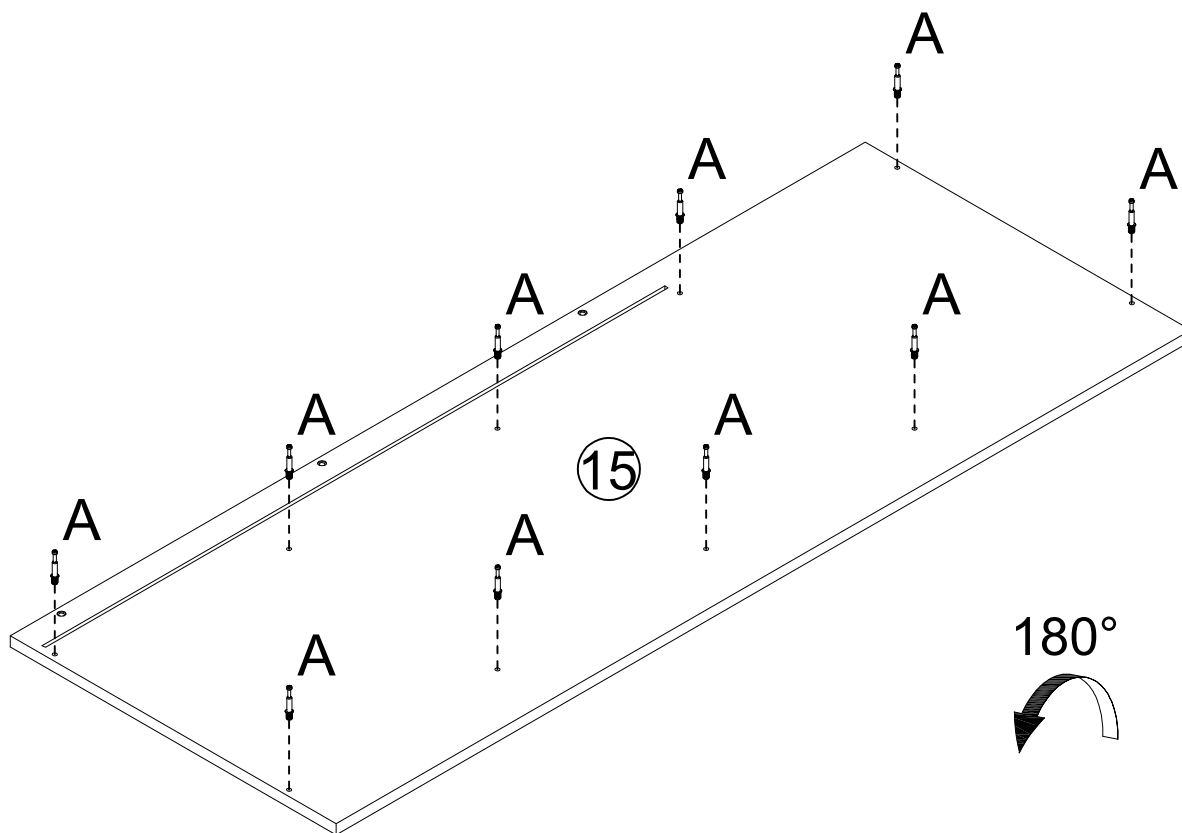
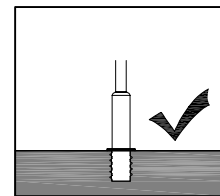
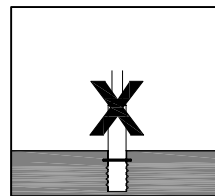
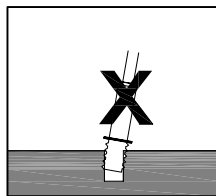
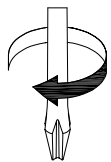


Hx1

# STEP25

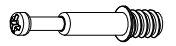
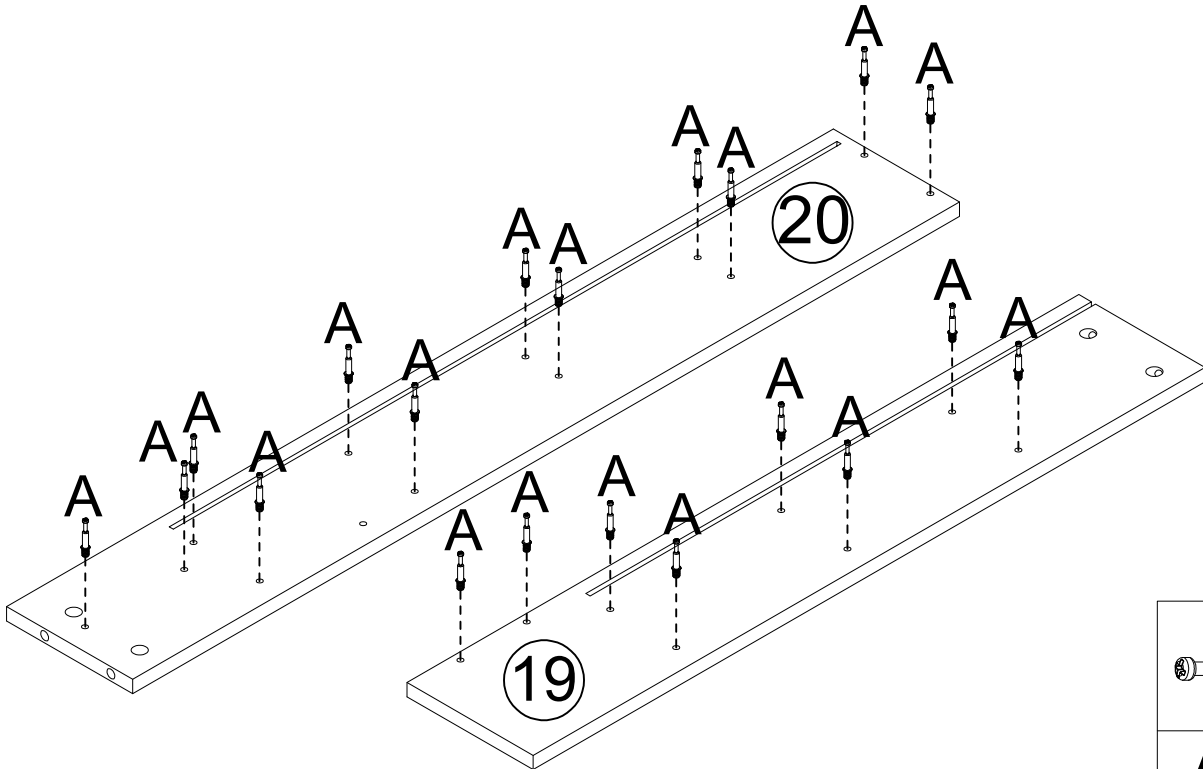
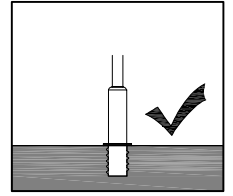
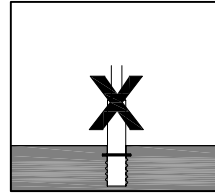
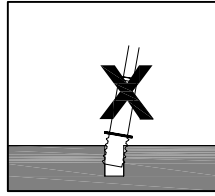
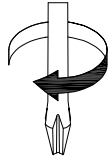


# STEP26



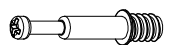
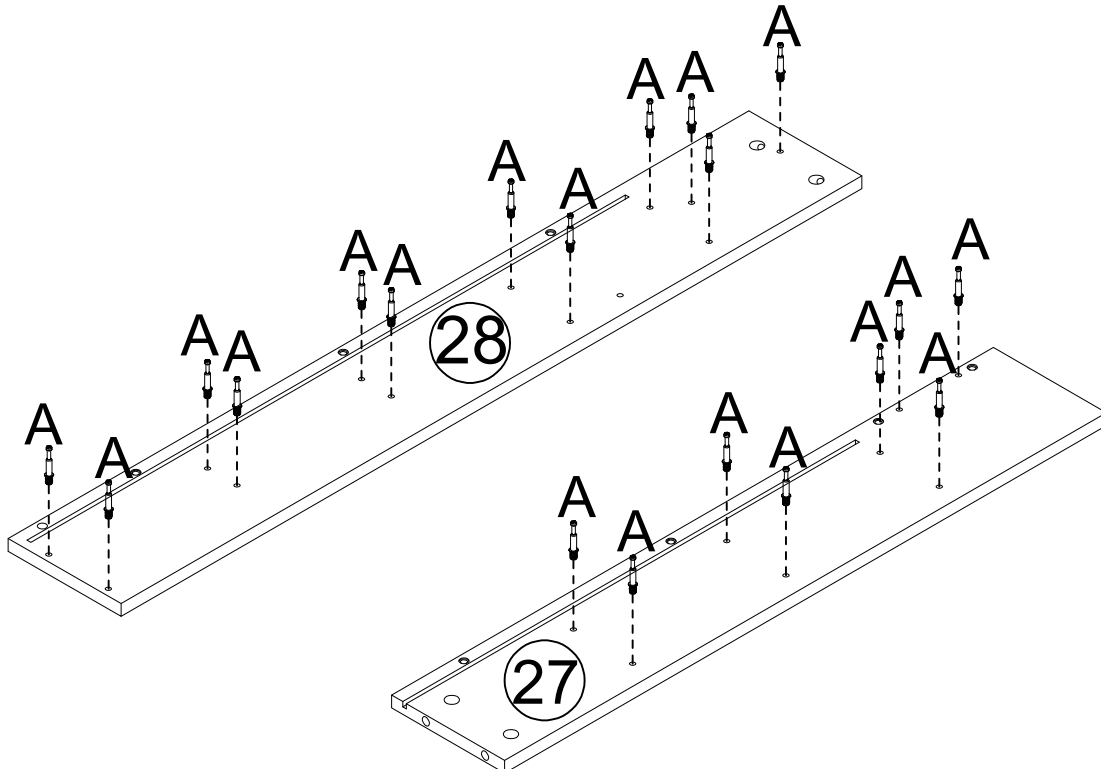
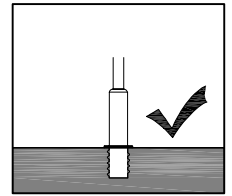
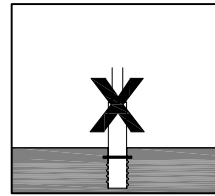
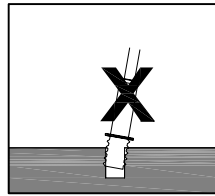
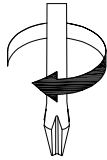
Ax14

# STEP27



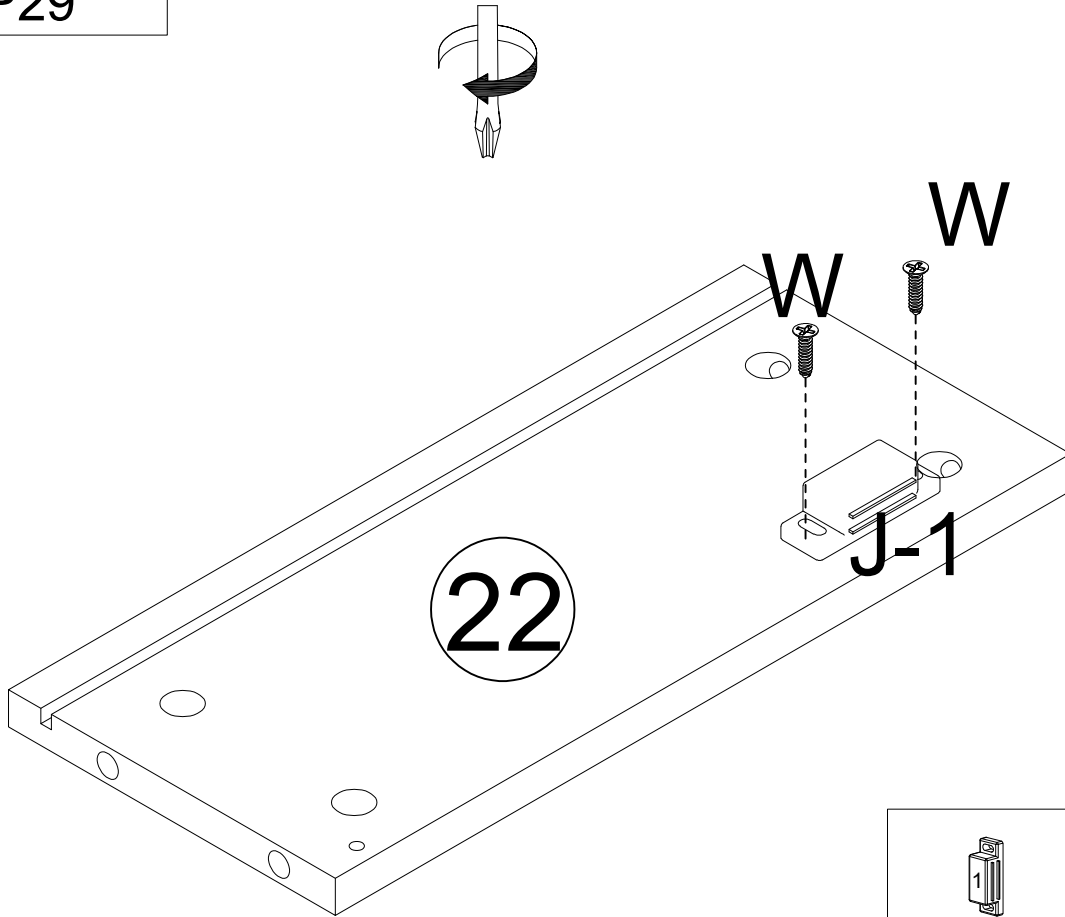
Ax20



# STEP28



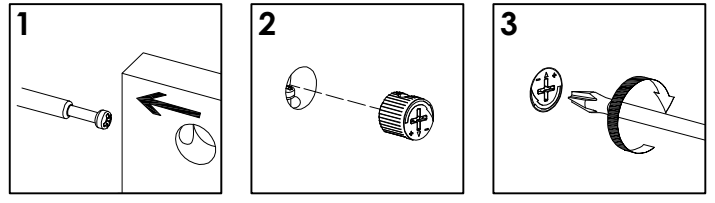
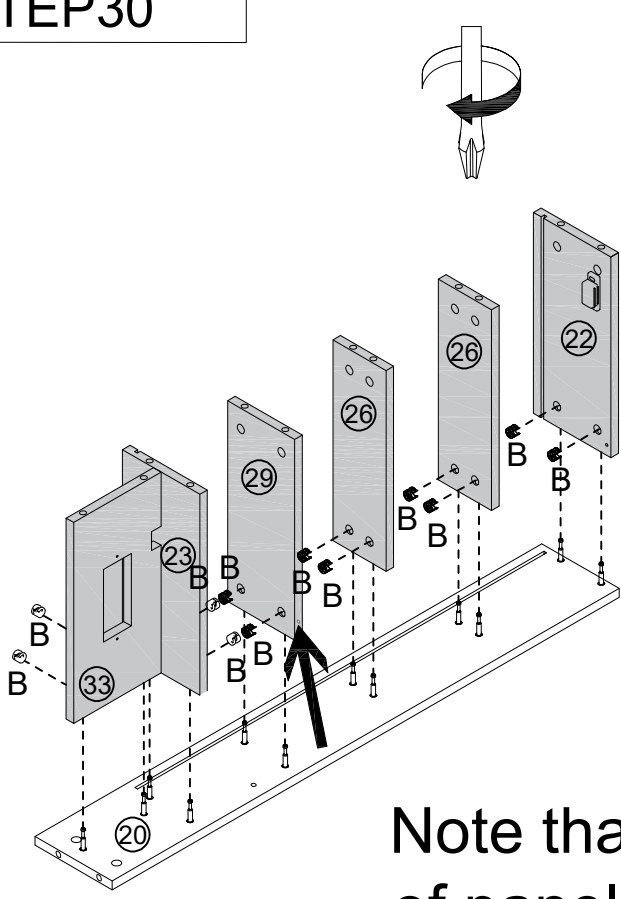
Ax20

# STEP29

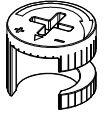


	
J-1x1	Wx2

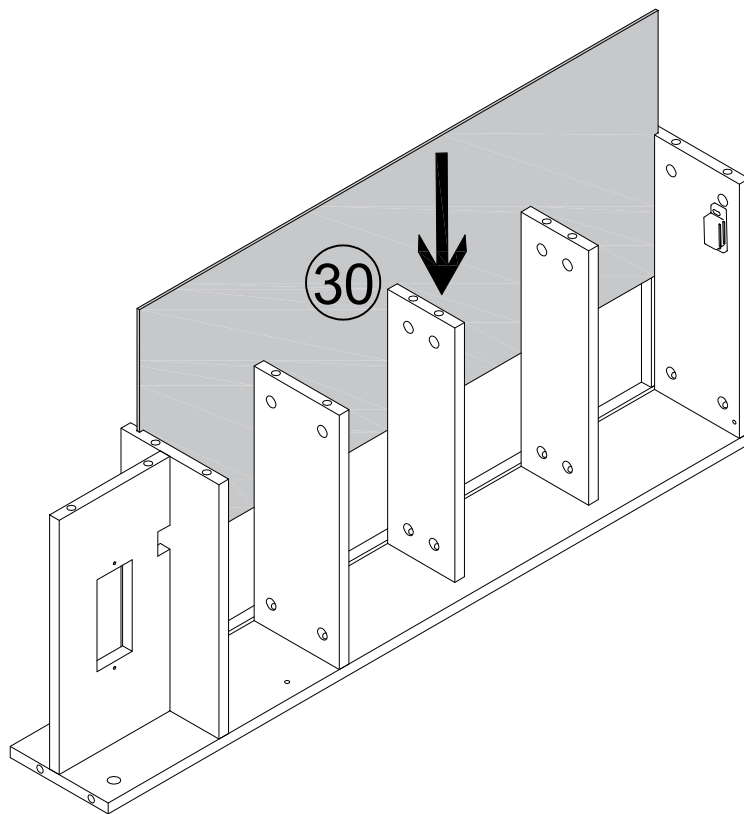
# STEP30



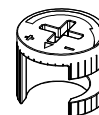
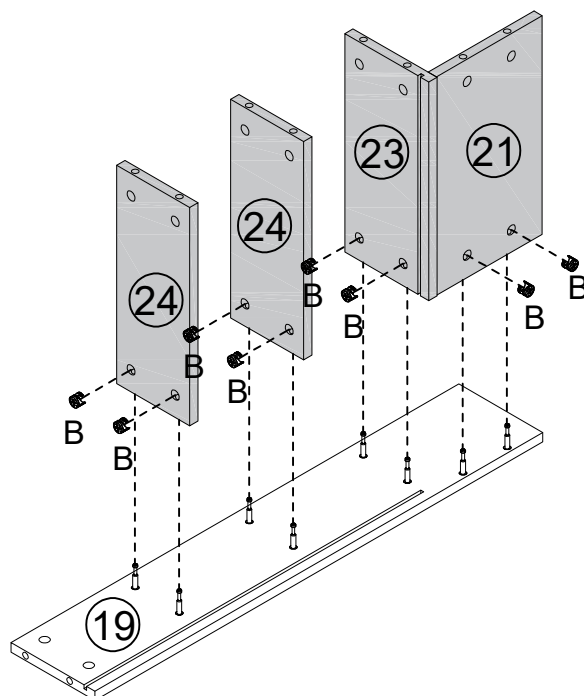
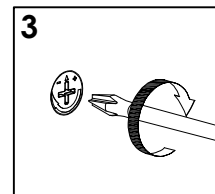
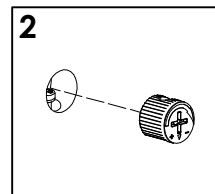
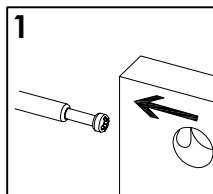
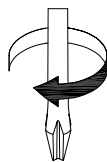
Note that the hinge hole of panel 29 is on the back.


Bx12

# STEP31

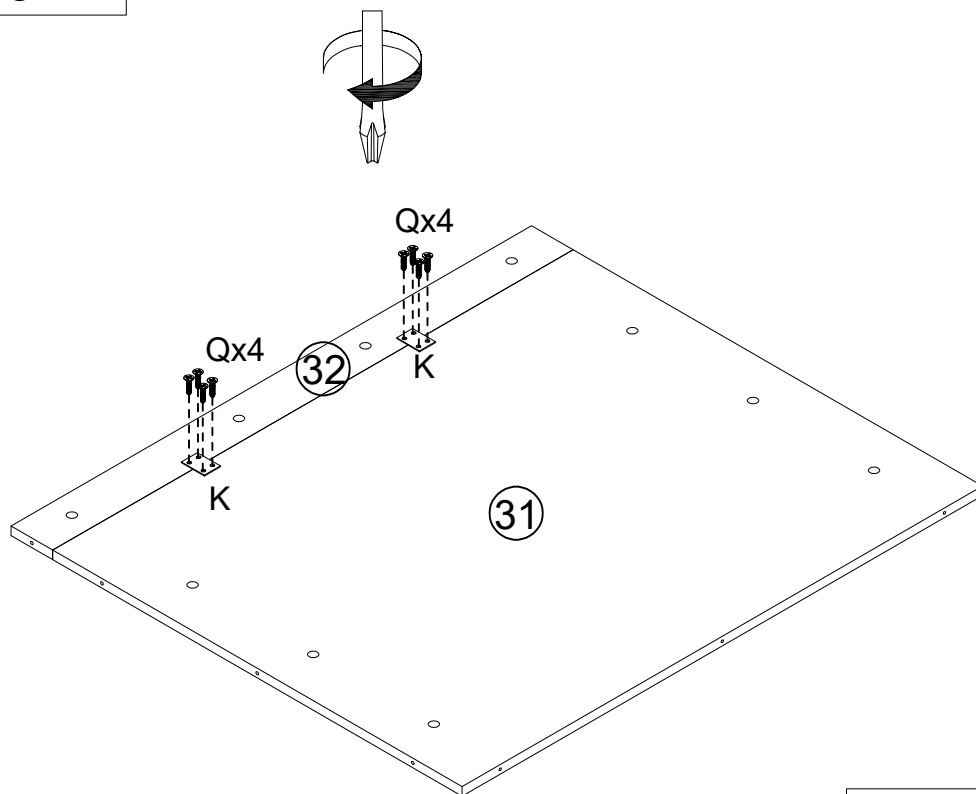


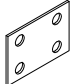
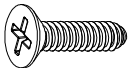
# STEP32



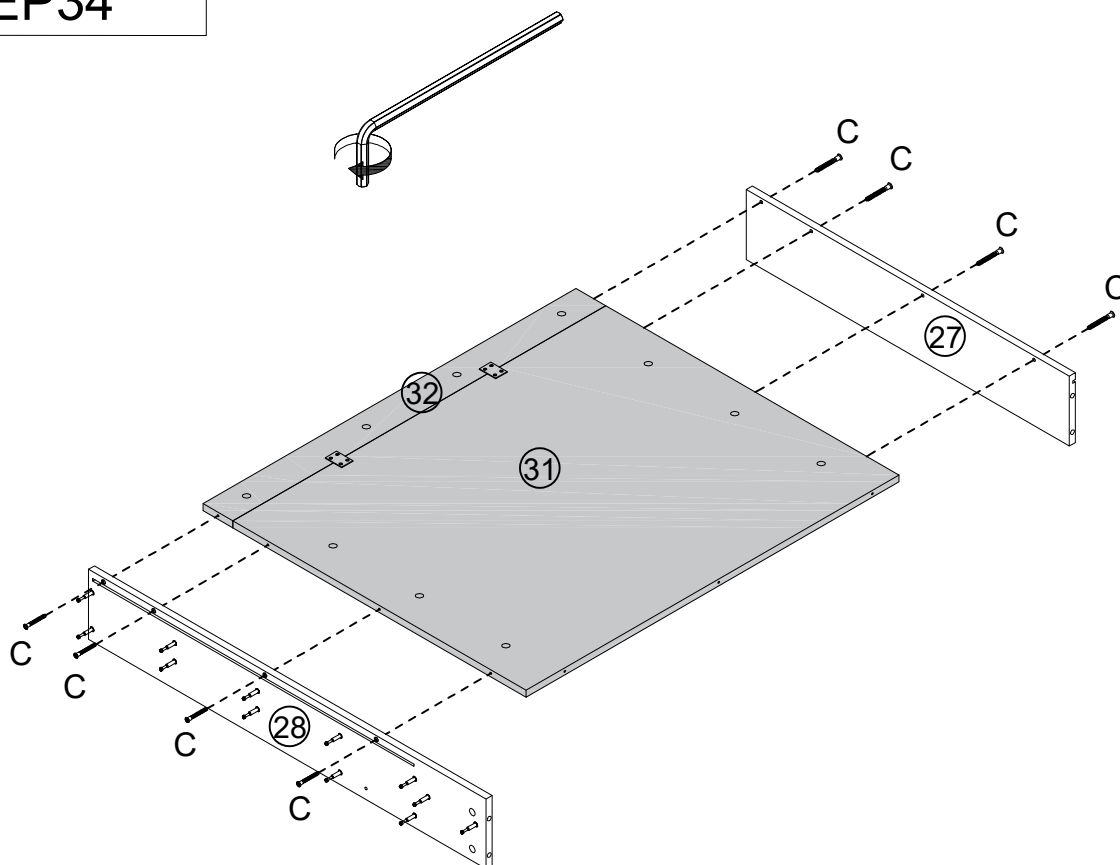
Bx8


# STEP33



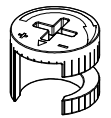
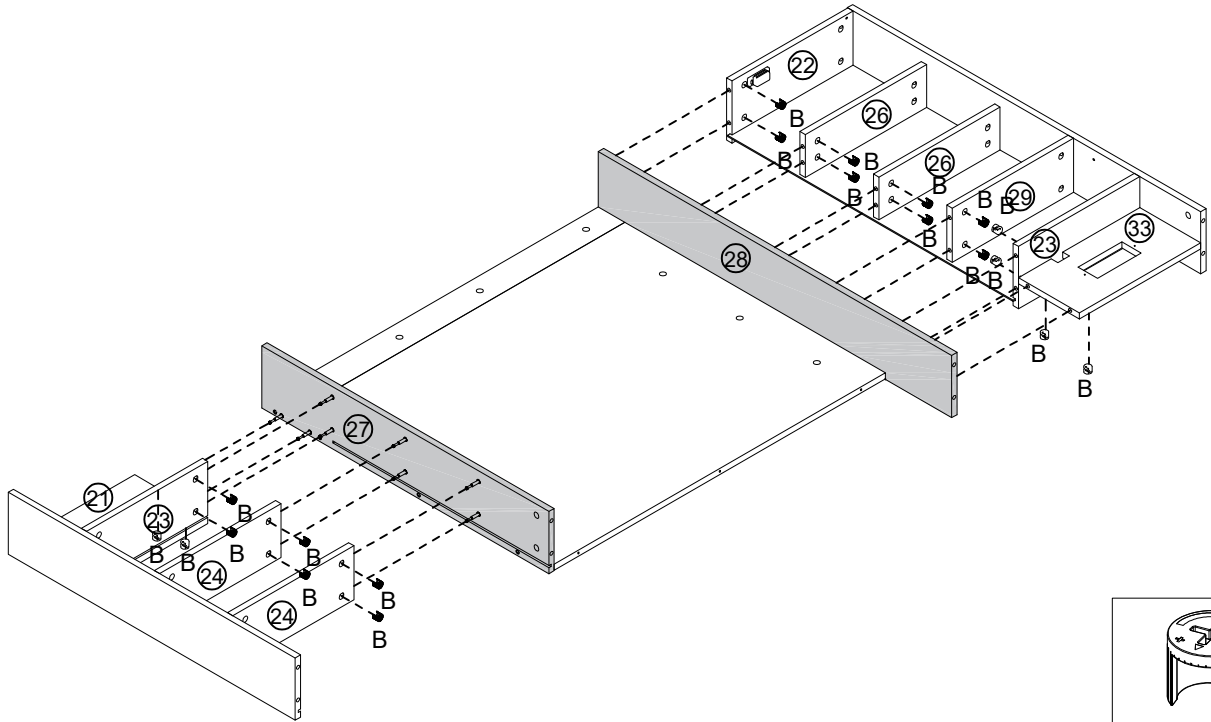
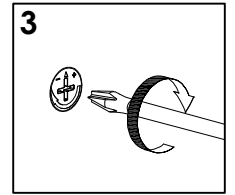
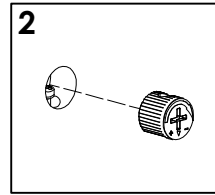
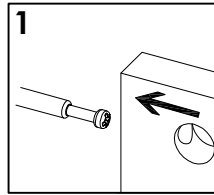
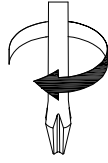
	
Kx2	Qx8

# STEP34



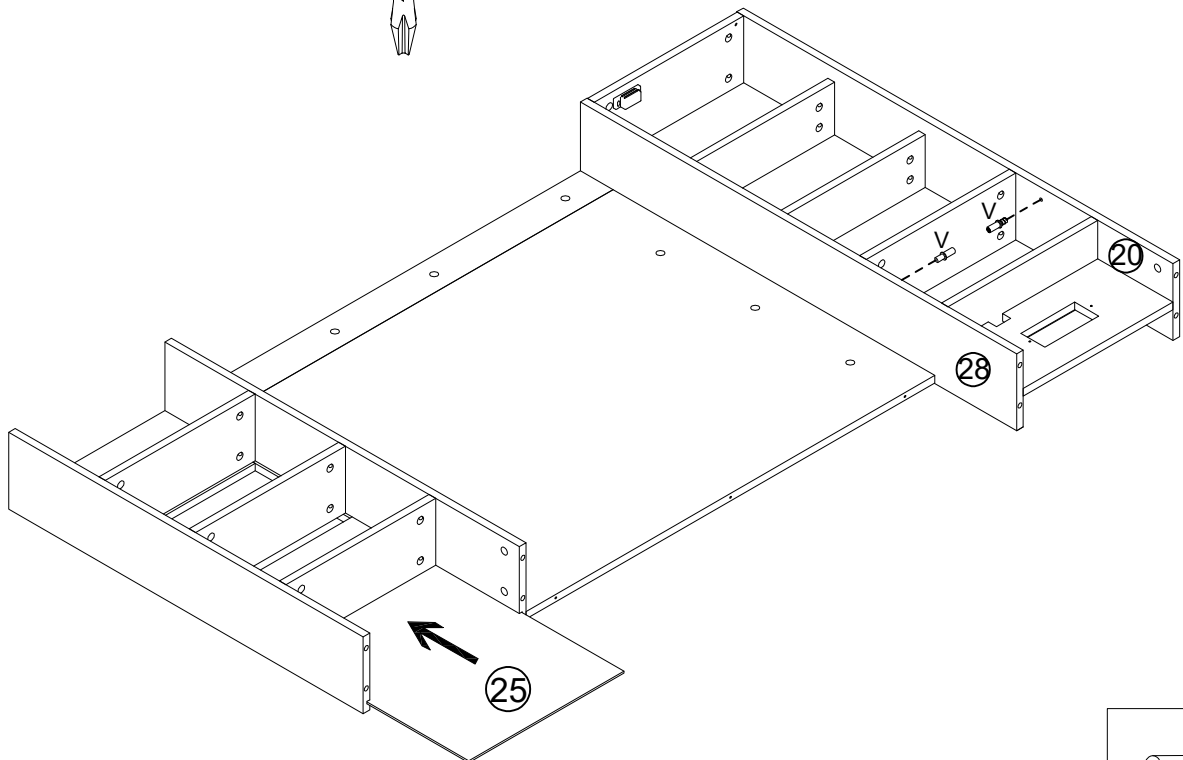
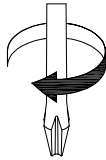

Cx8

# STEP35



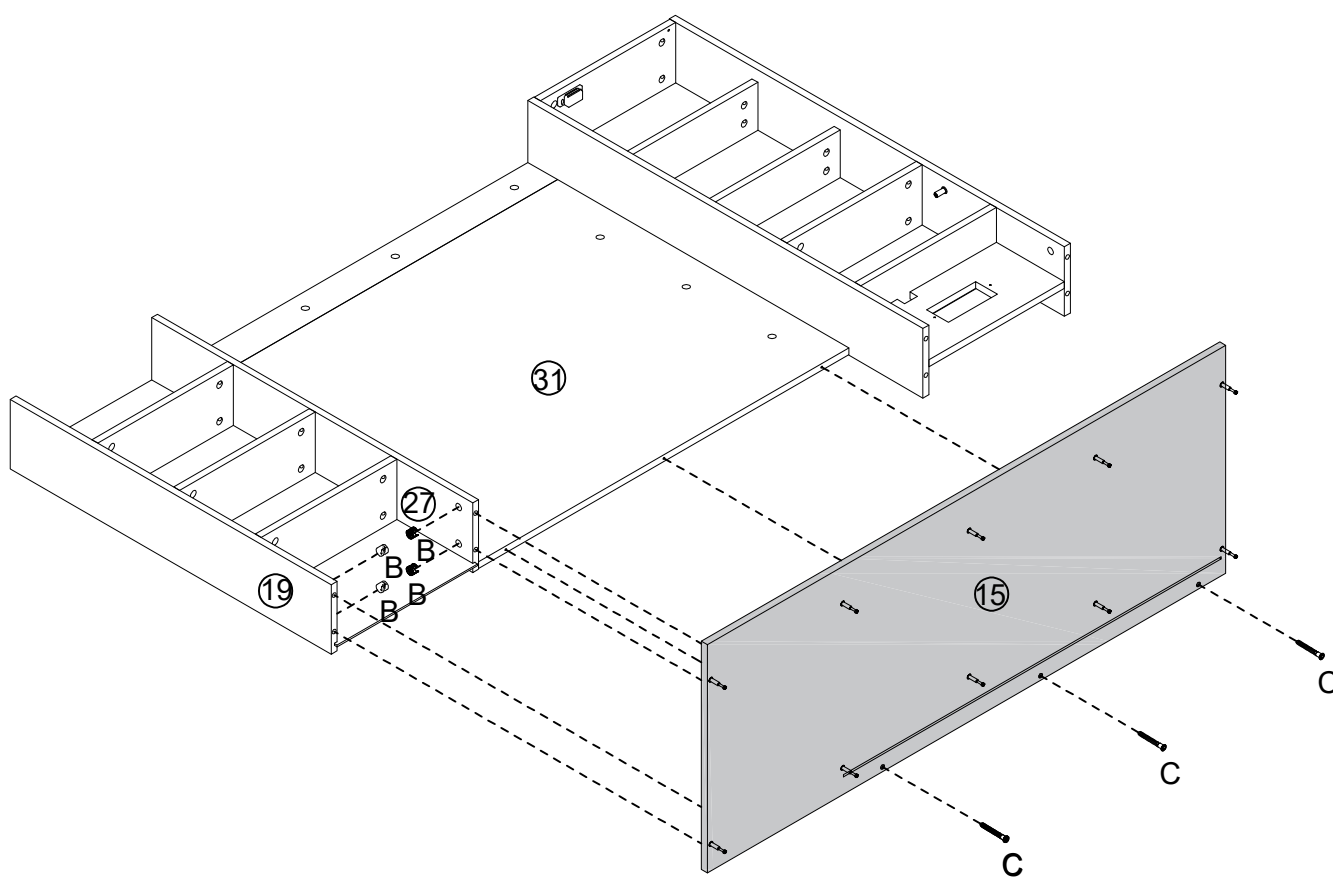
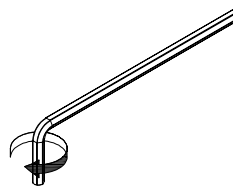
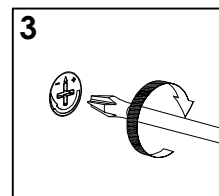
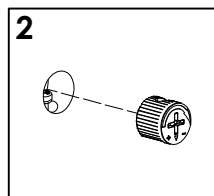
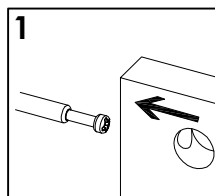
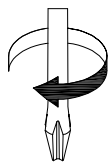
Bx20

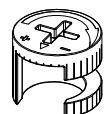

# STEP36



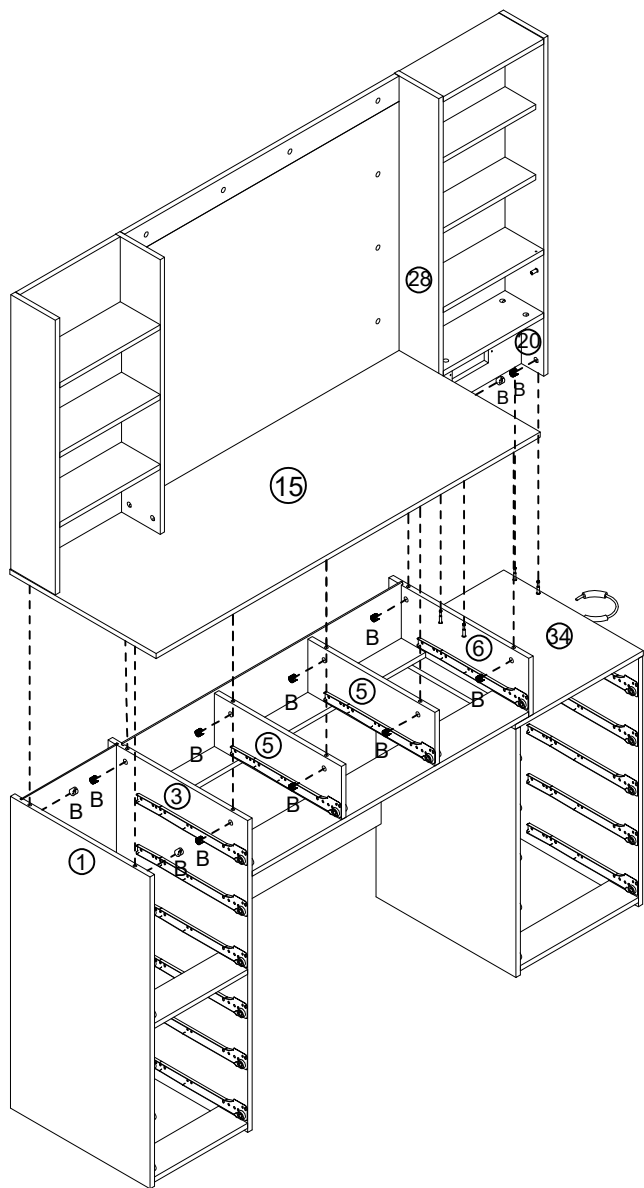
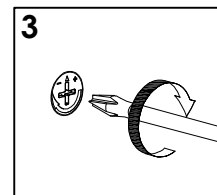
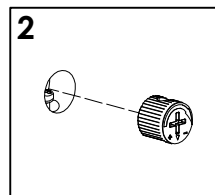
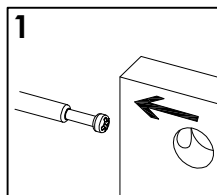
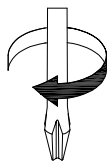
Vx2

# STEP37

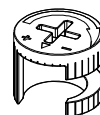
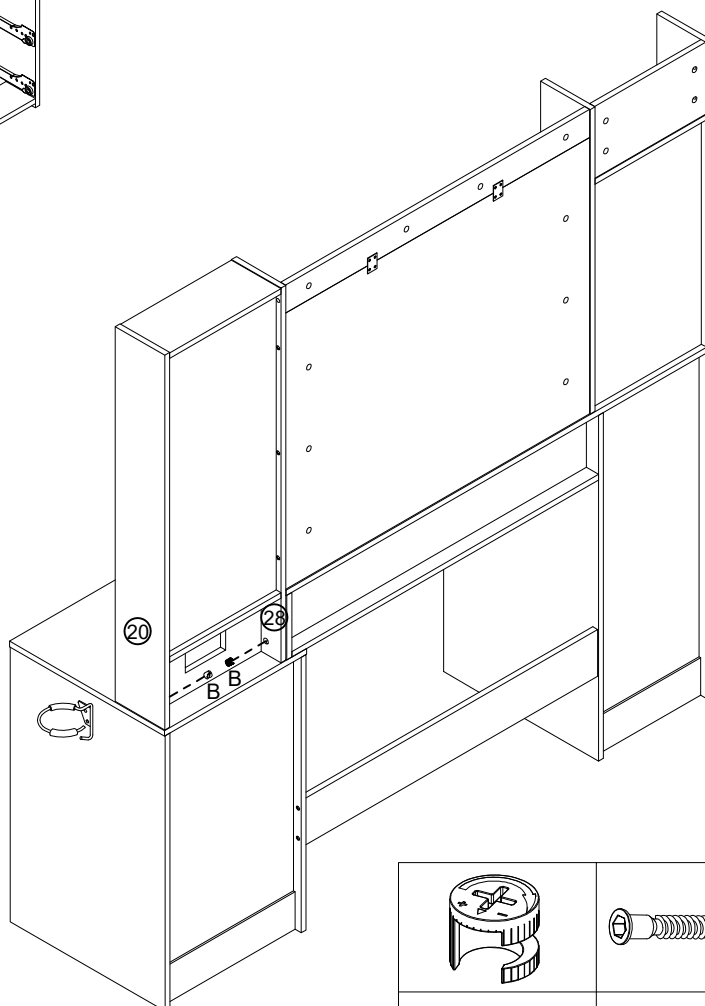


	
<b>Bx4</b>	<b>Cx3</b>

# STEP 38



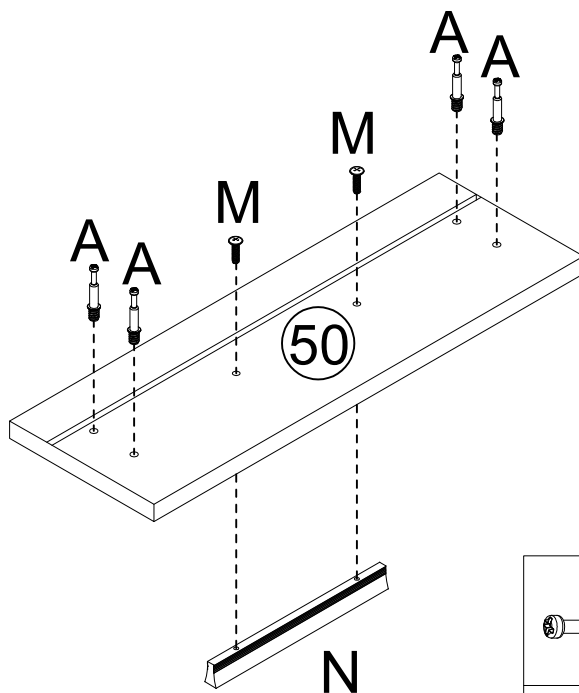
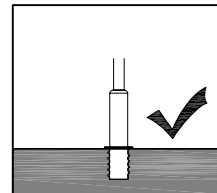
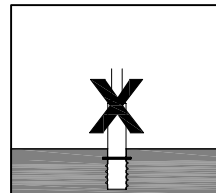
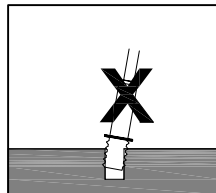
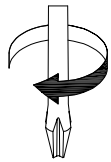
180°

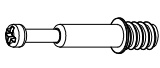
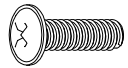
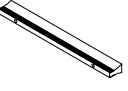


Bx14

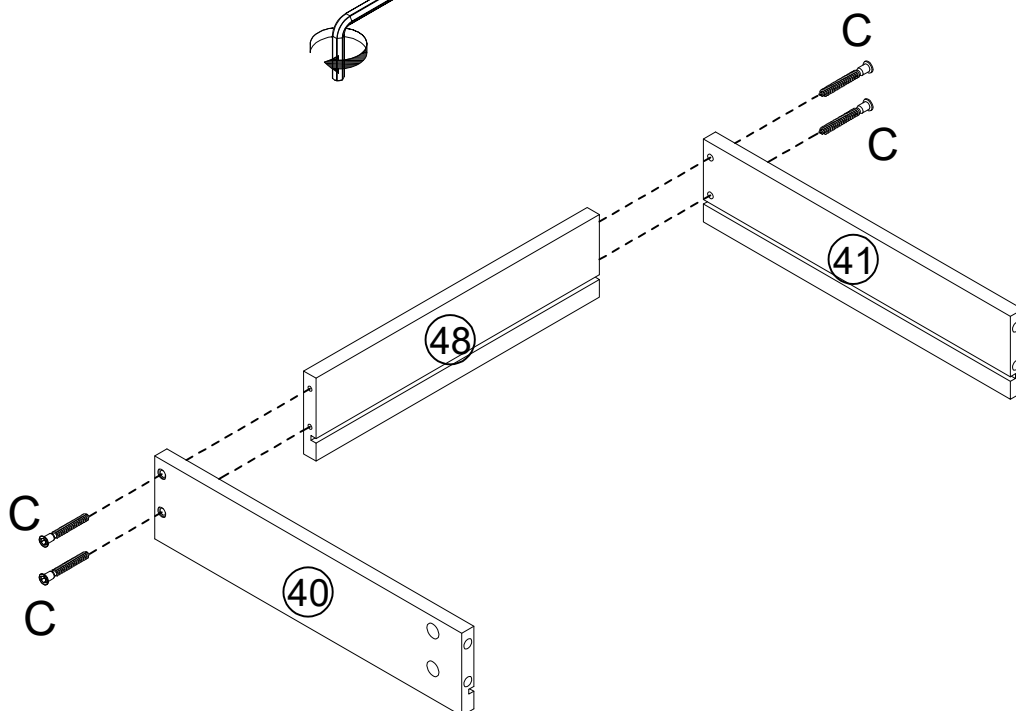
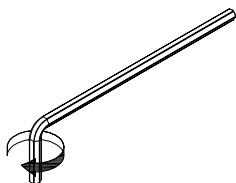
Cx3


# STEP39x5



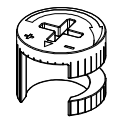
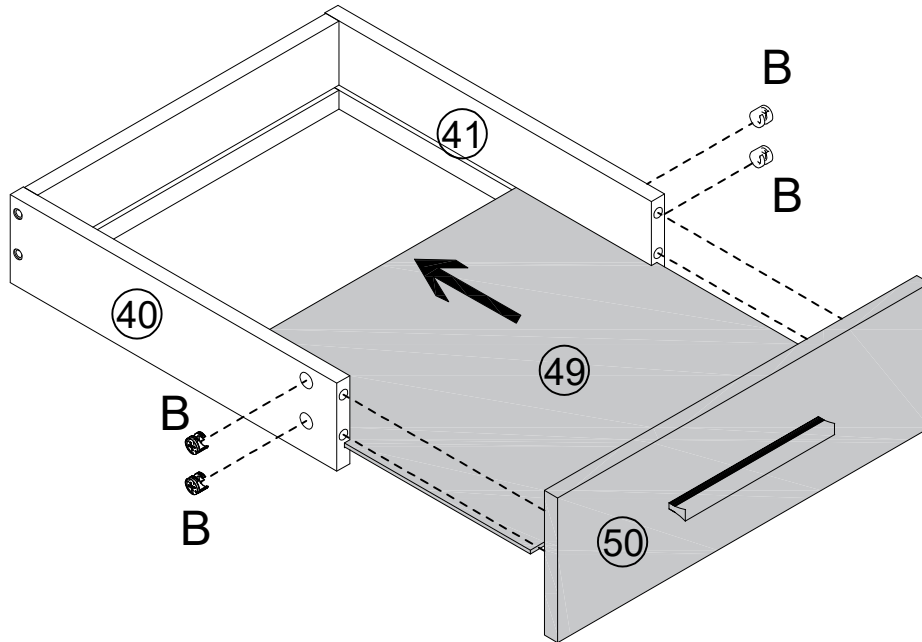
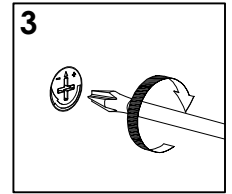
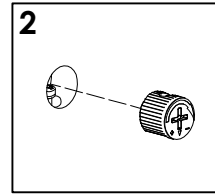
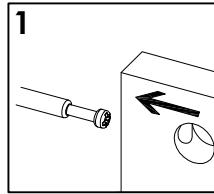
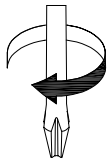
		
Ax20	Mx10	Nx5

# STEP40x5



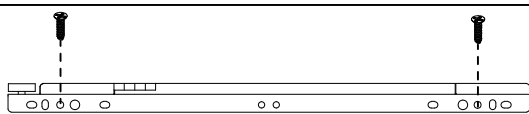
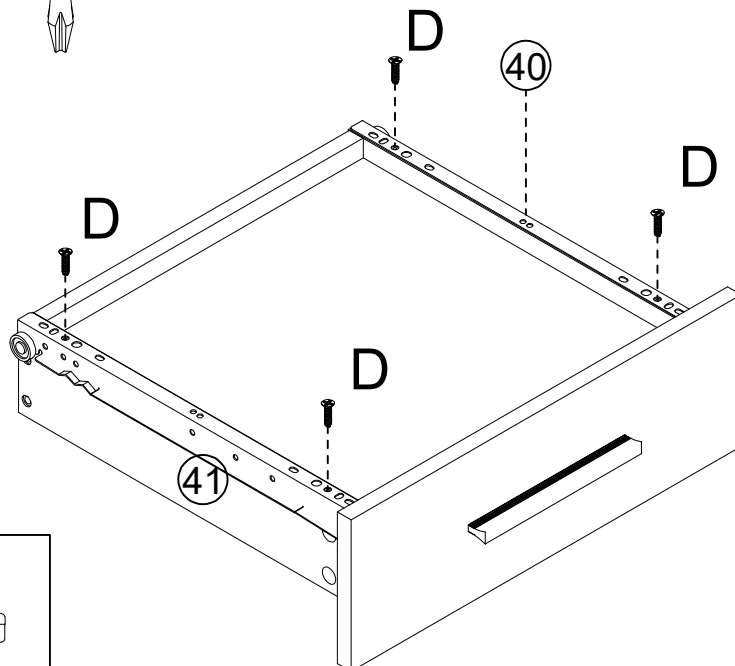
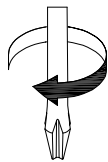

Cx20

# STEP41x5

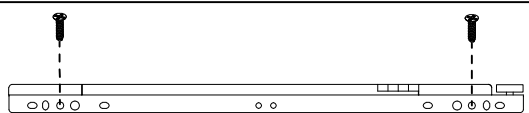


Bx20

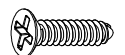
# STEP42x5



E-DLx5

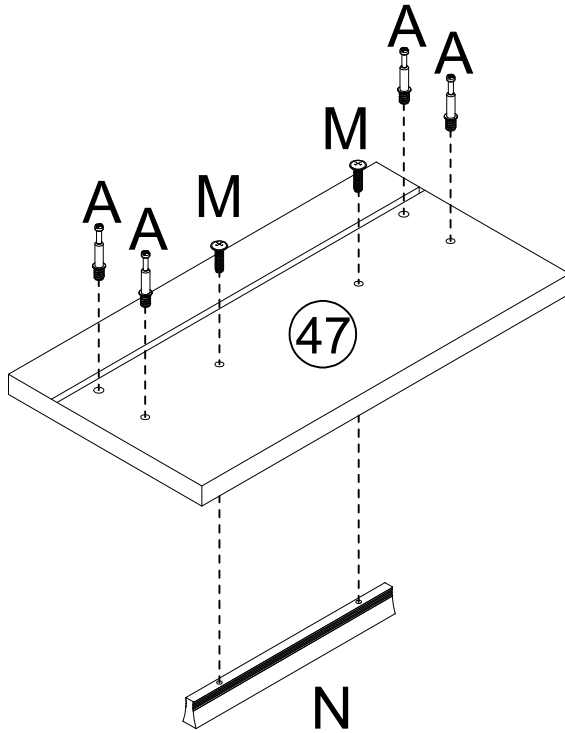
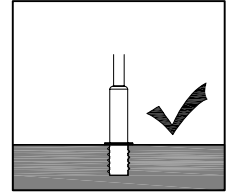
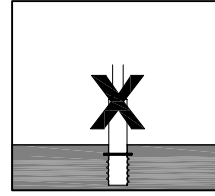
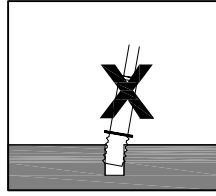
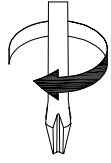


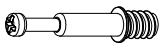
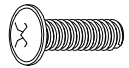

E-DRx5



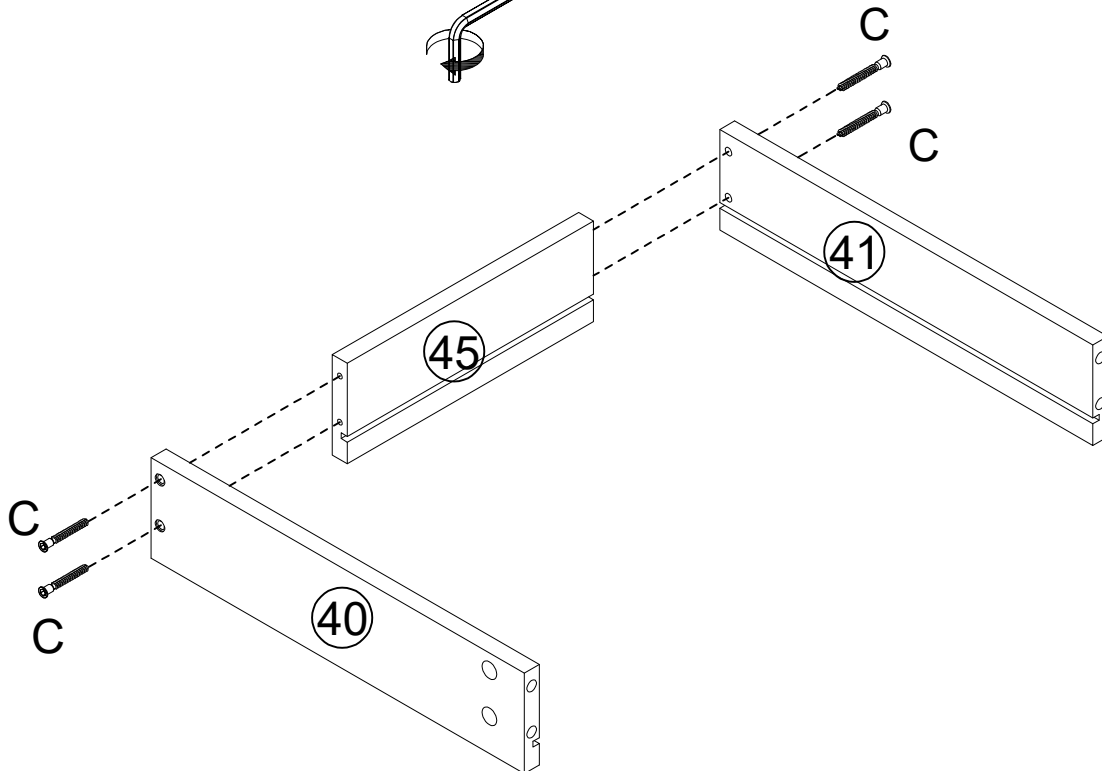
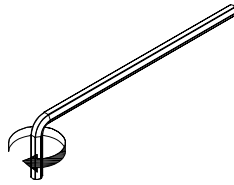
Dx20


# STEP43x3



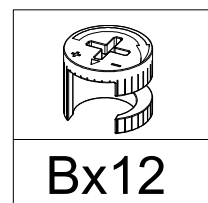
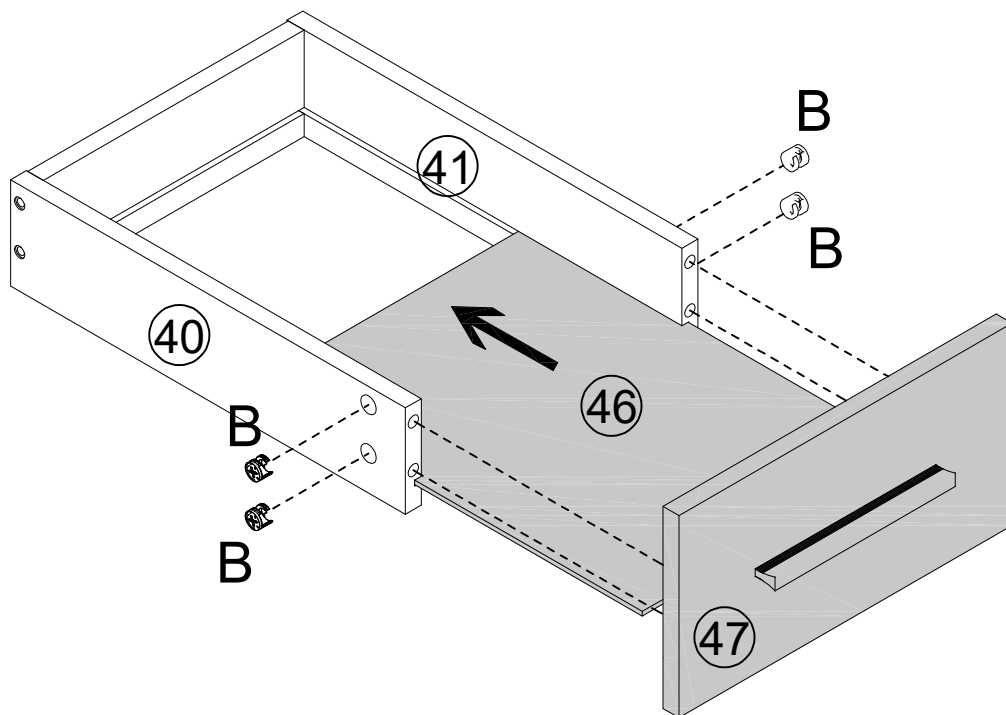
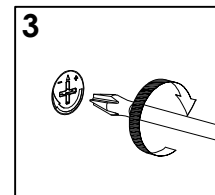
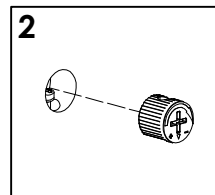
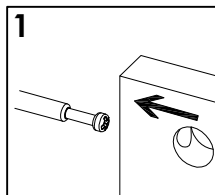
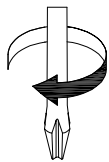
		
Ax12	Mx6	Nx3

# STEP44x3



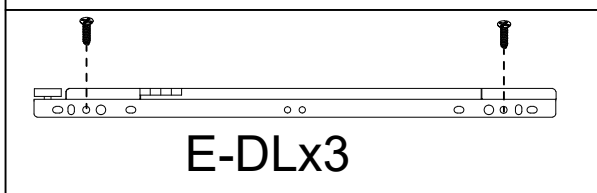
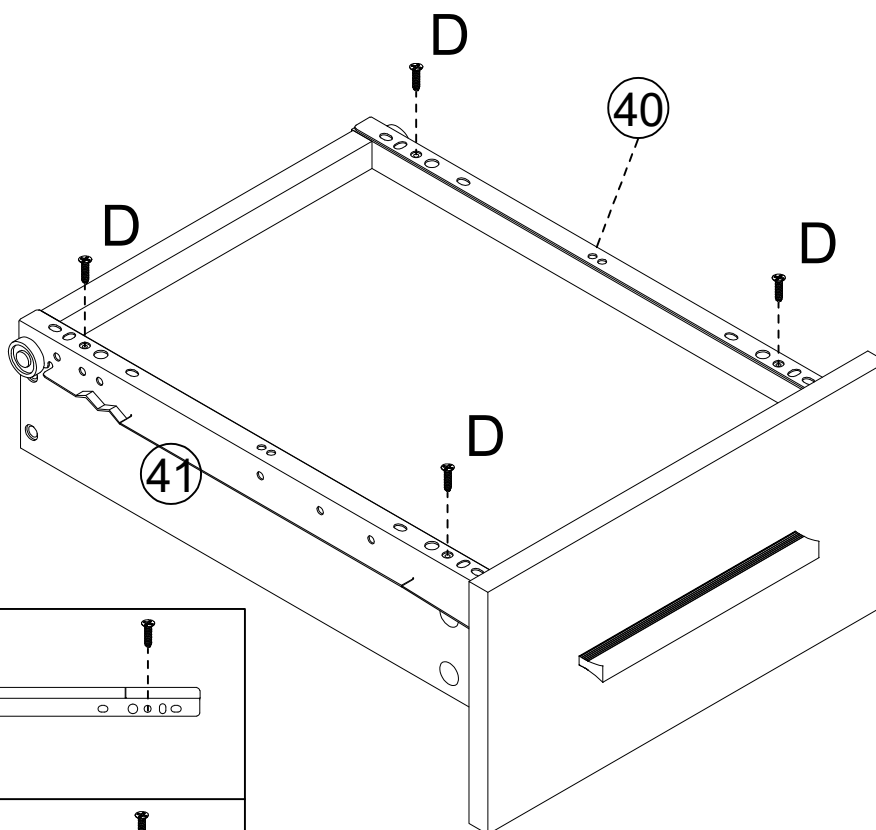

Cx12

# STEP45x3



Bx12

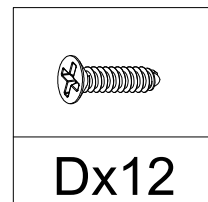
# STEP46x3



E-DLx3

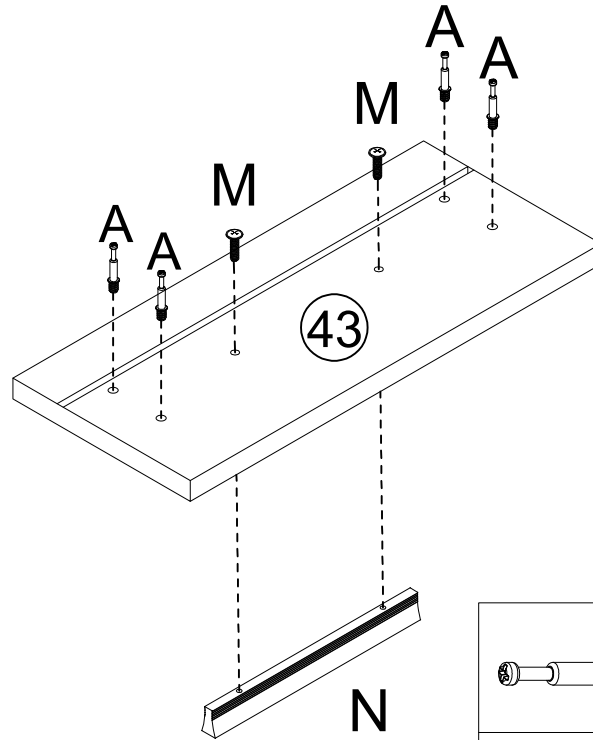
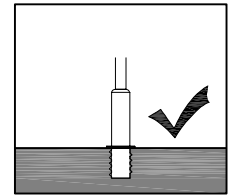
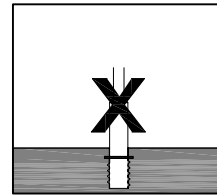
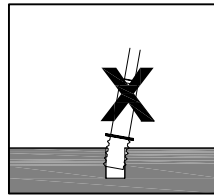
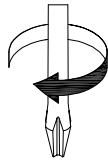


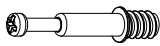
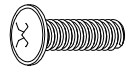
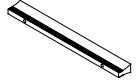
E-DRx3



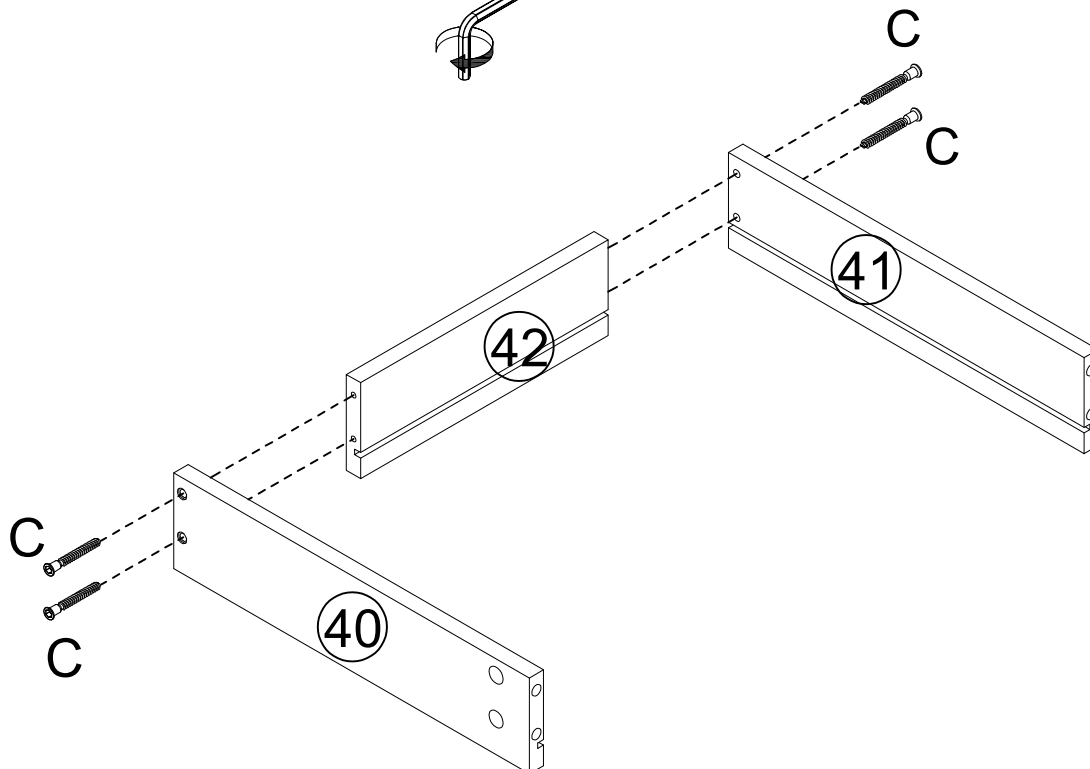
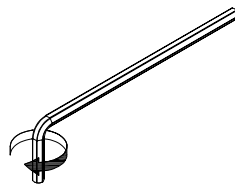
Dx12


# STEP47x6



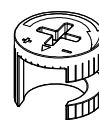
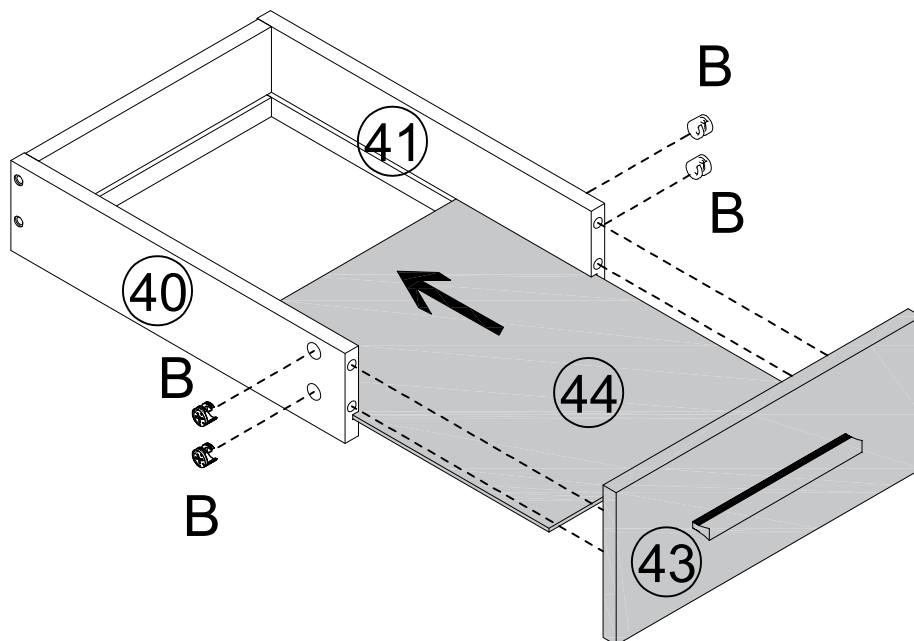
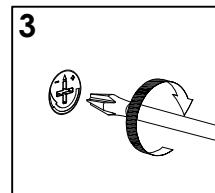
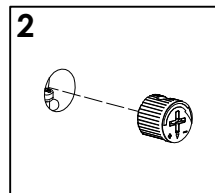
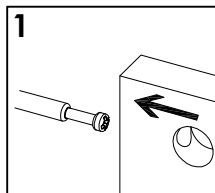
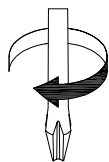
		
Ax24	Mx12	Nx6

# STEP48x6



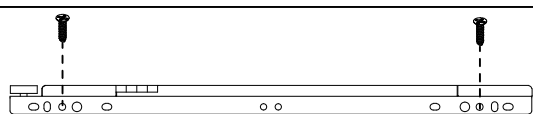
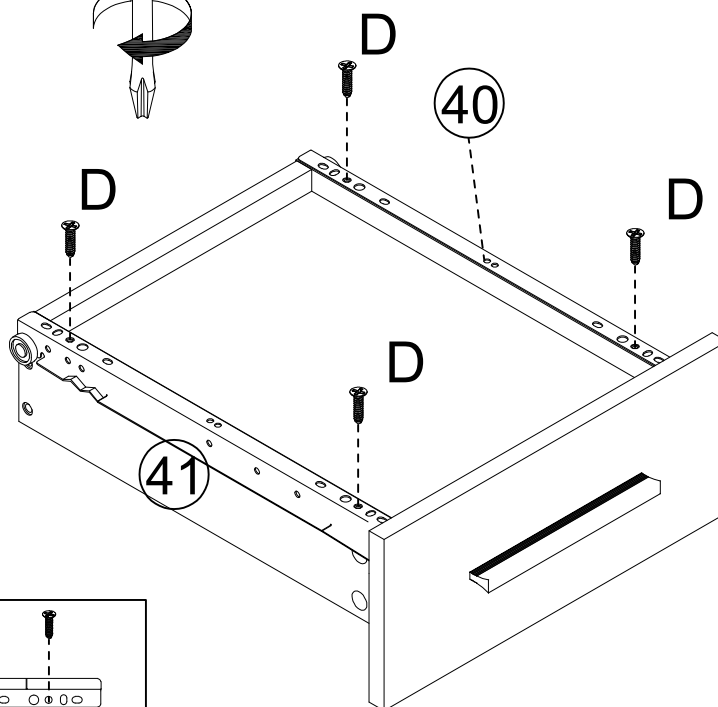
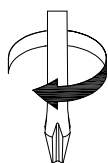

Cx24

# STEP49x6

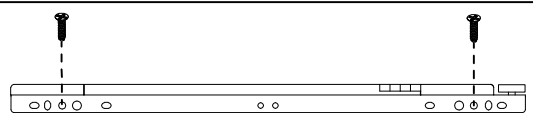


Bx24

# STEP50x6



E-DLx6

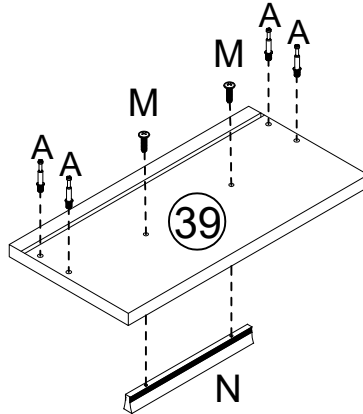
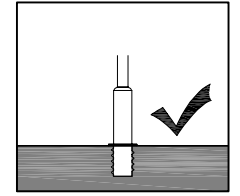
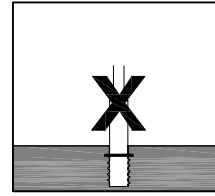
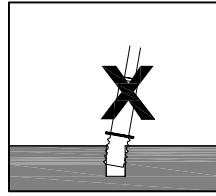
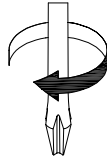


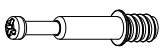
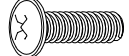

E-DRx6



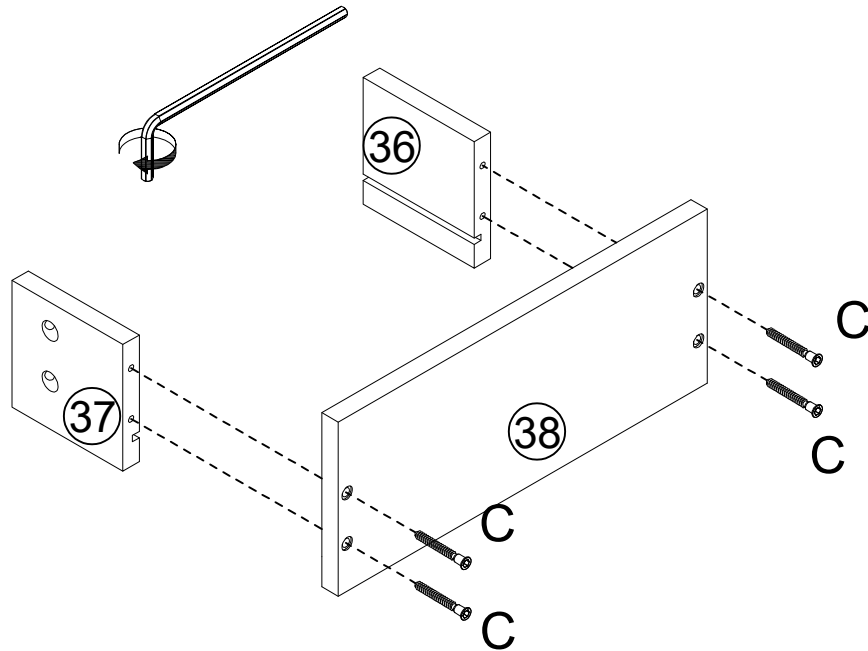
Dx24

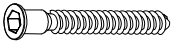
# STEP51



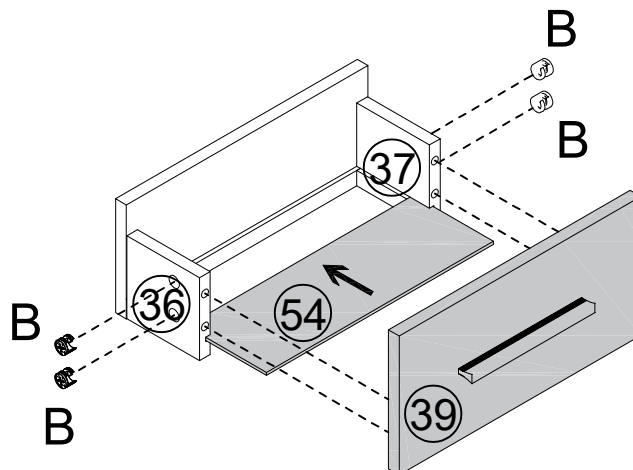
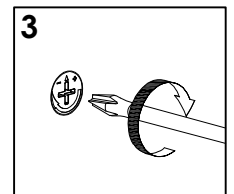
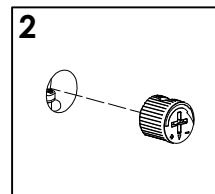
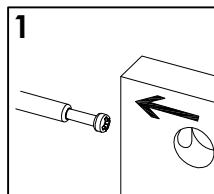
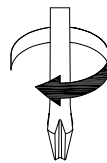
		
Ax4	Mx2	Nx1


# STEP52



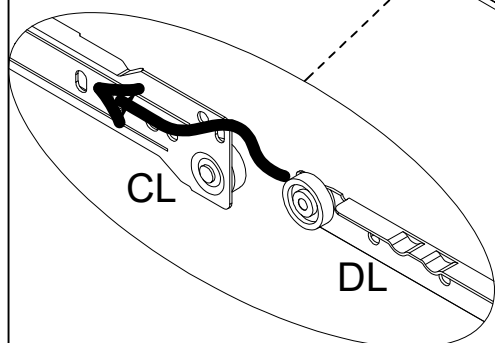
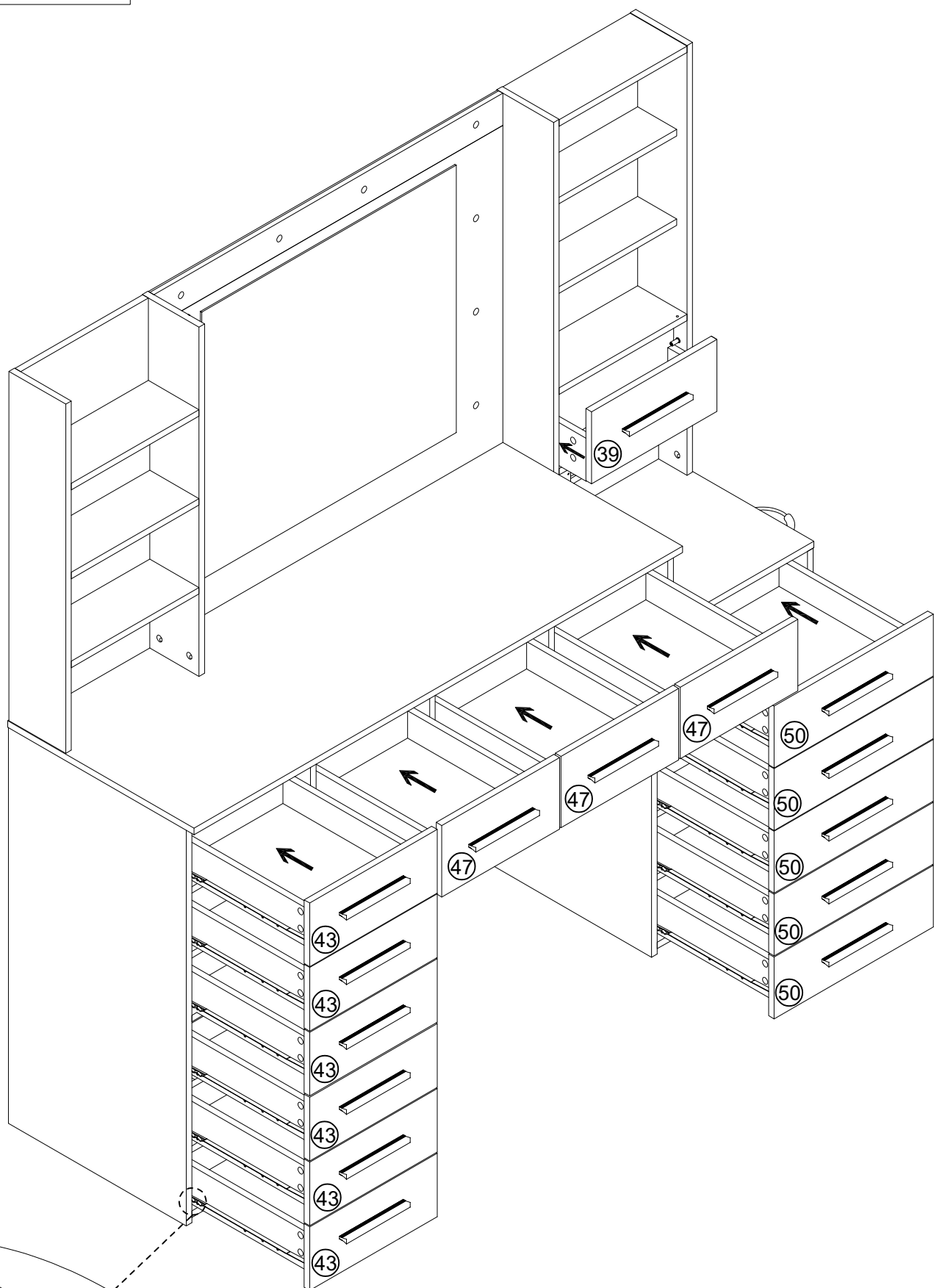

Cx4

# STEP53

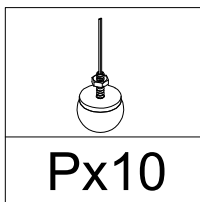
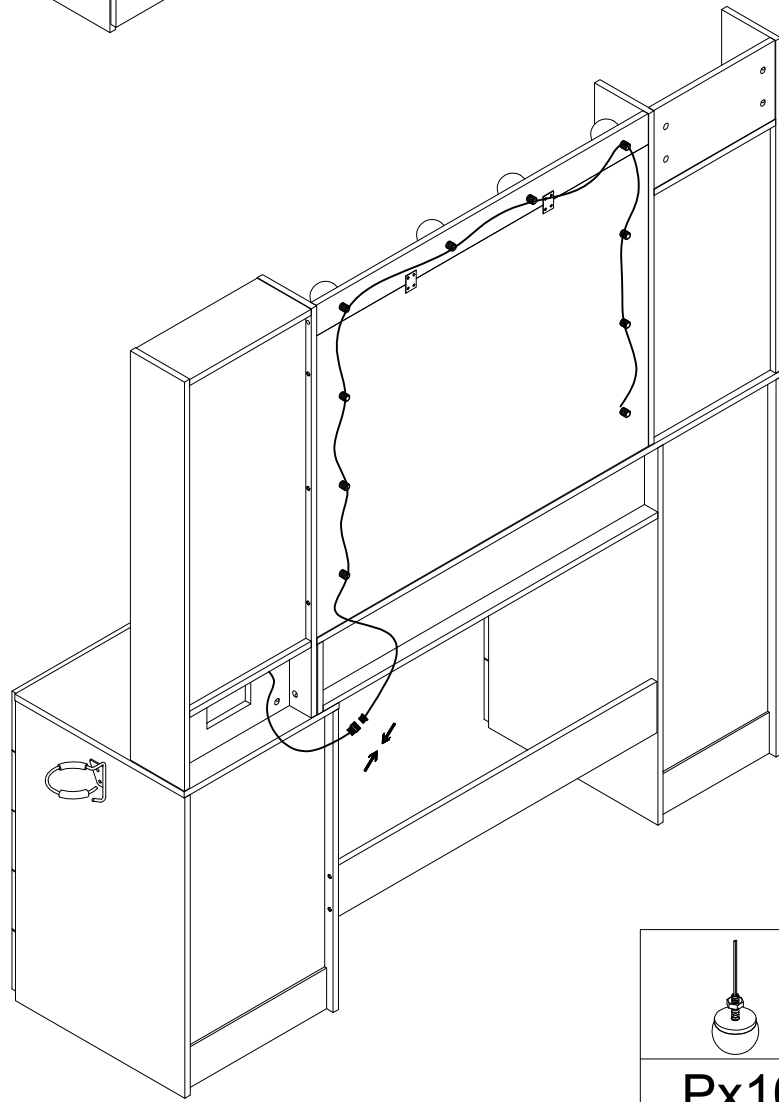
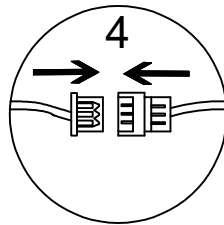
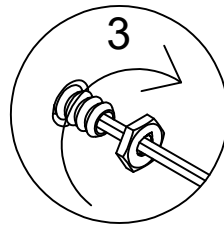
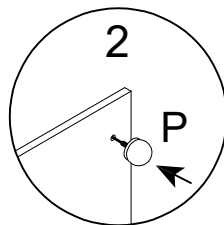
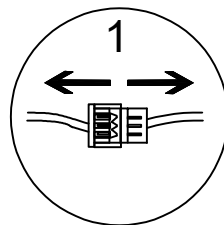
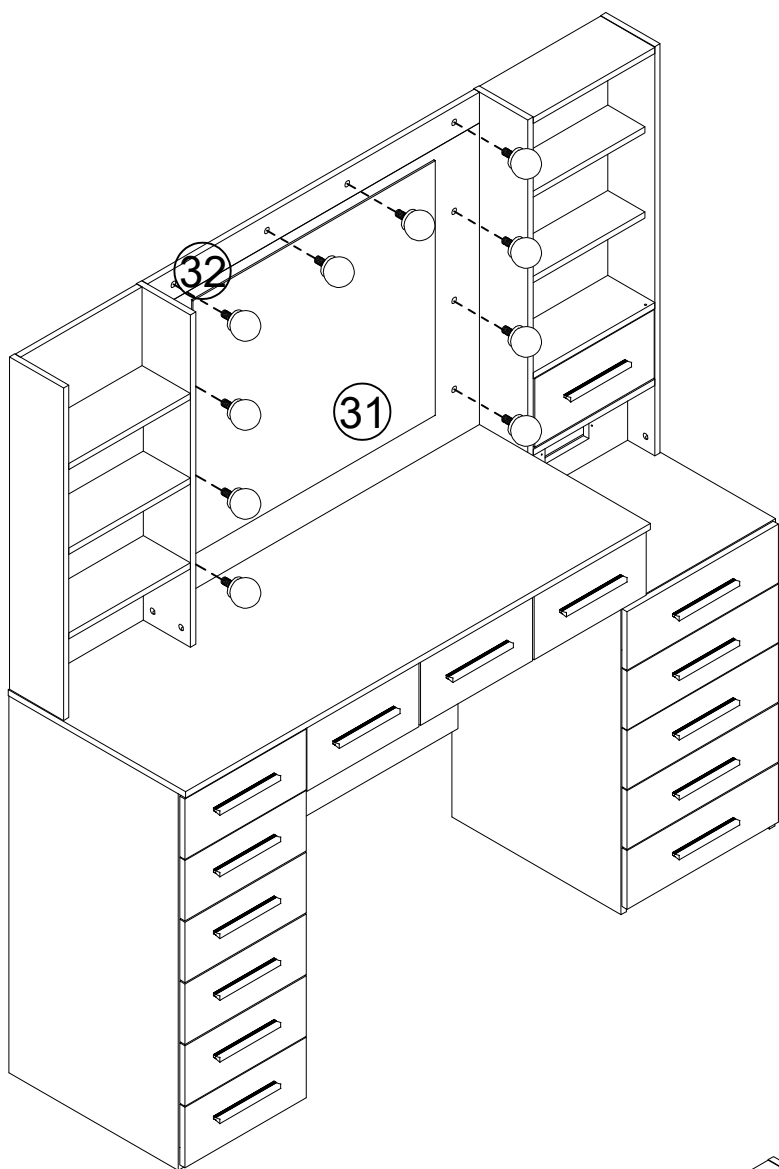



Bx4

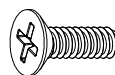
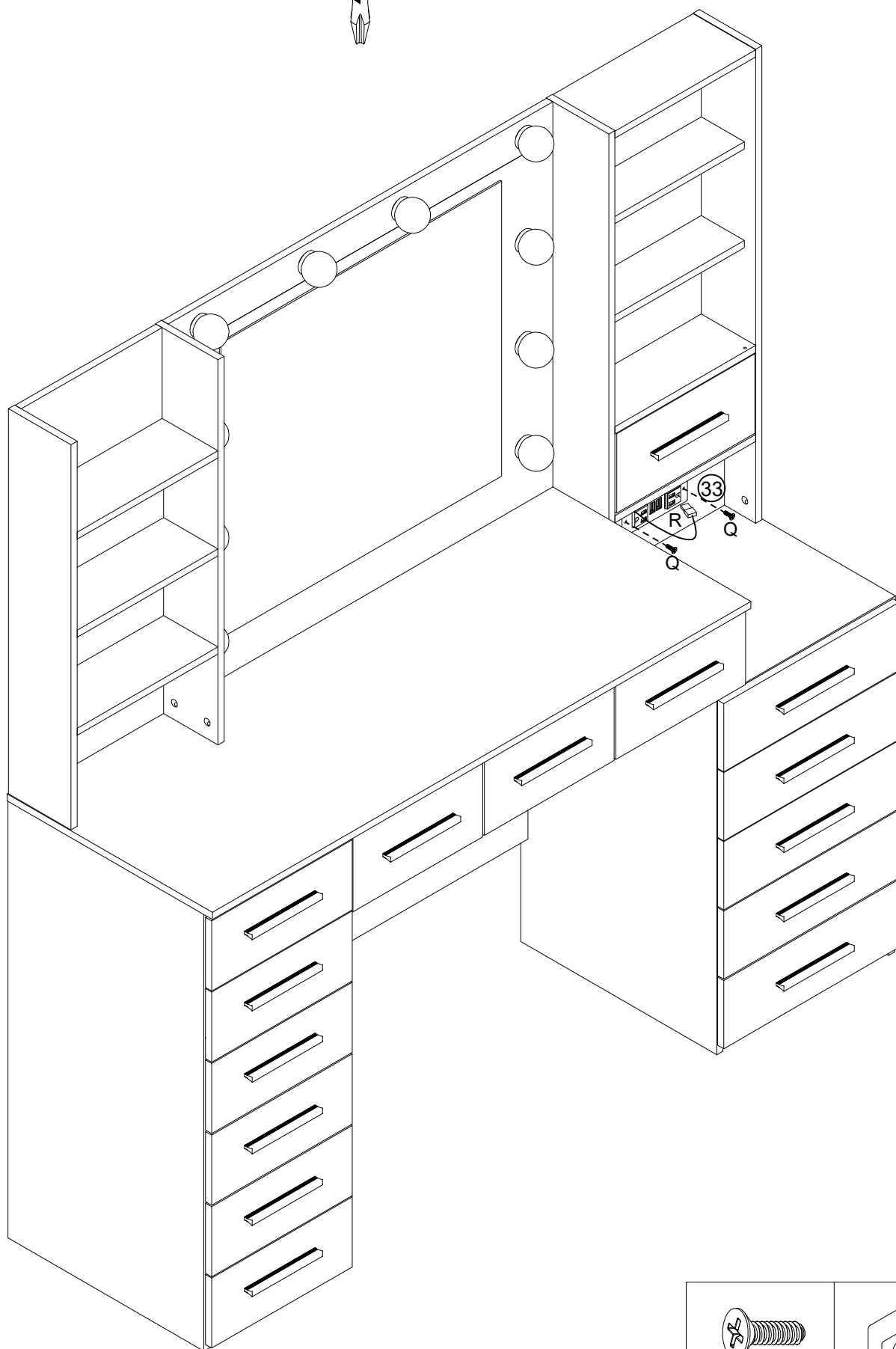
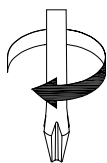
# STEP 54



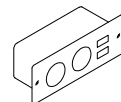
# STEP 55



# STEP56

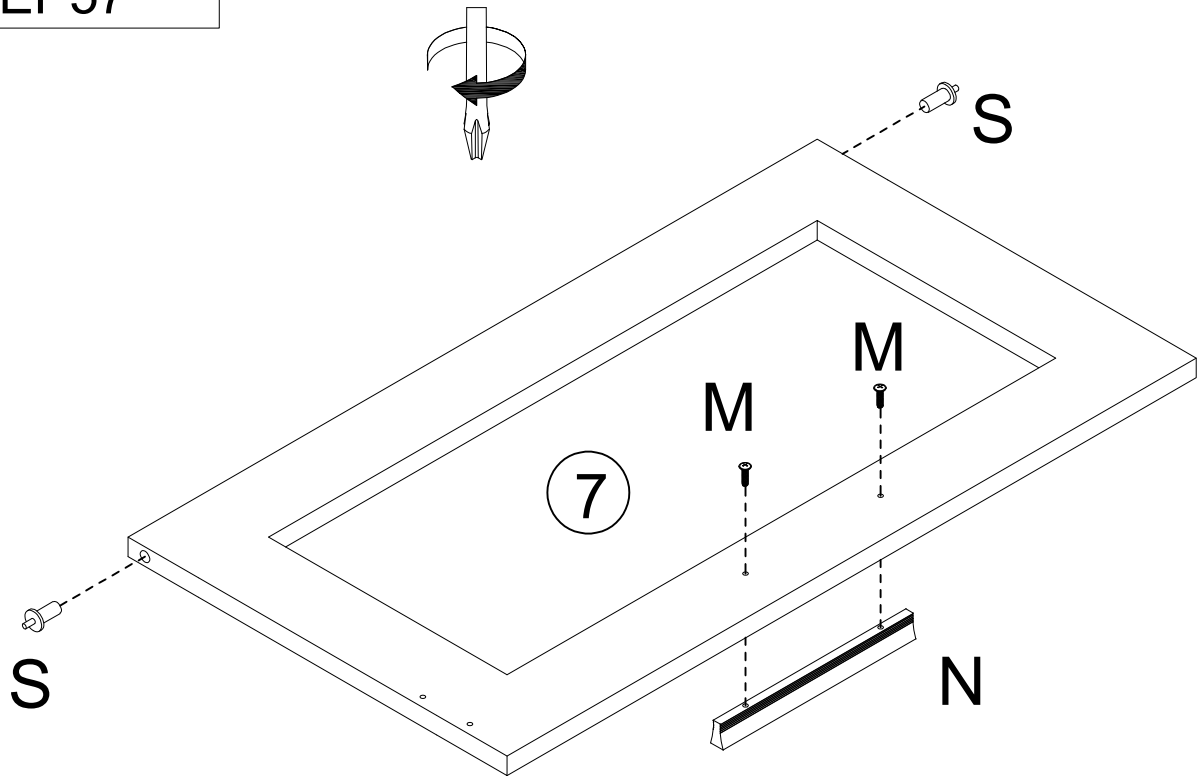


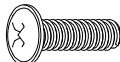
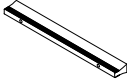
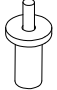
Qx2



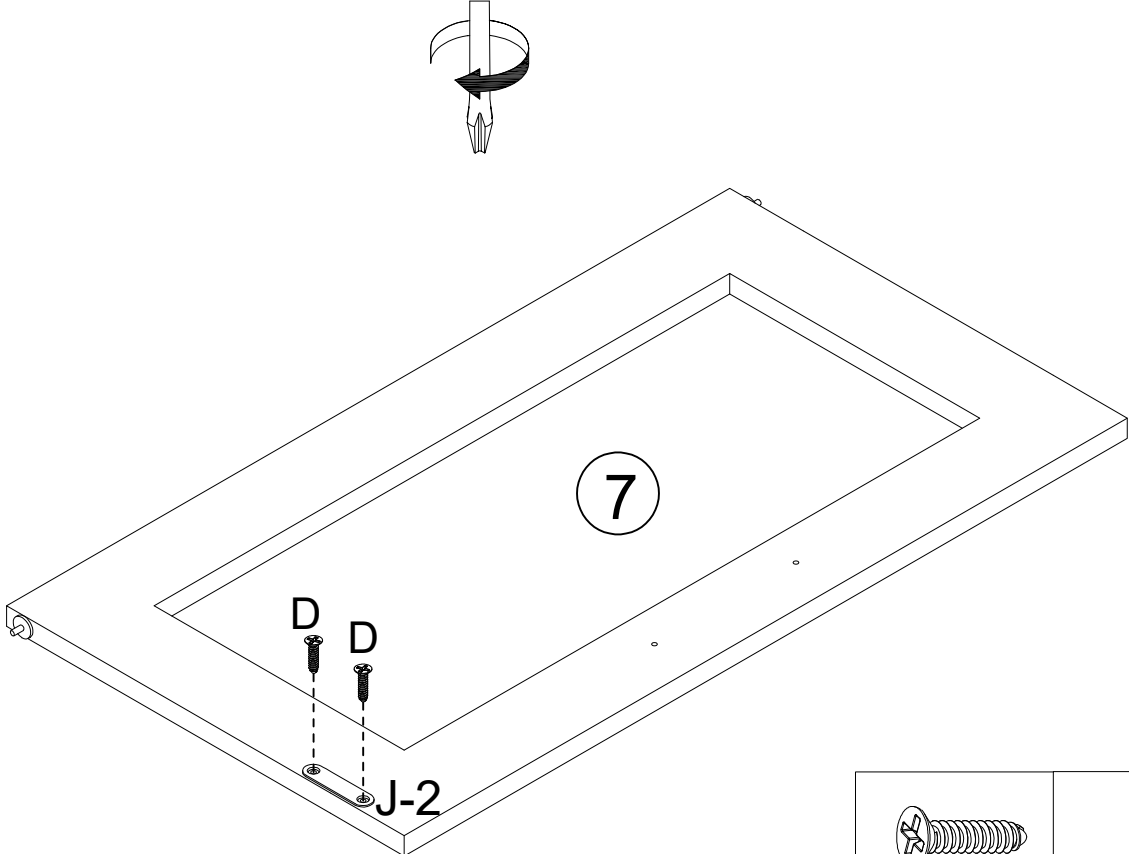
Rx1

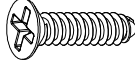

# STEP57



		
Mx2	Nx1	Sx2

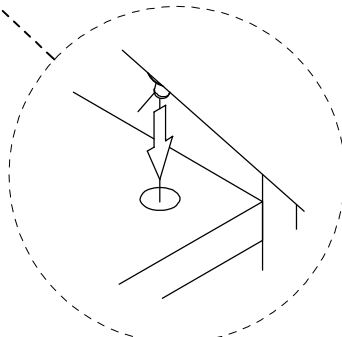
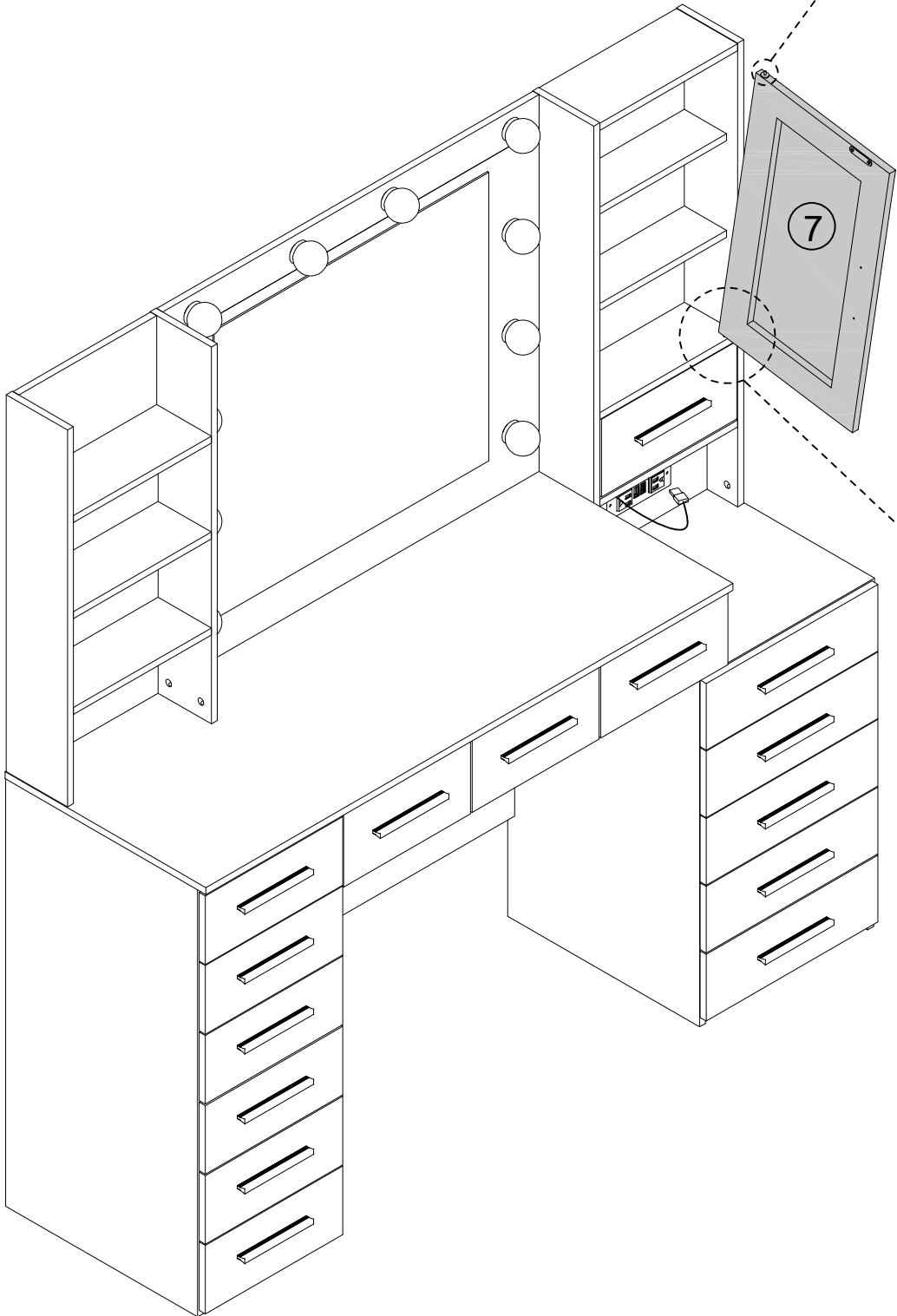
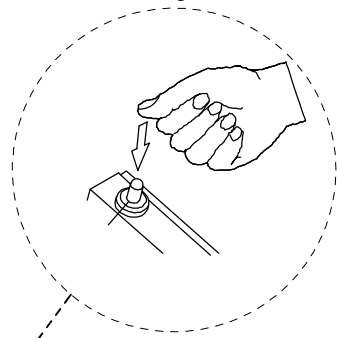
# STEP58



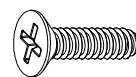
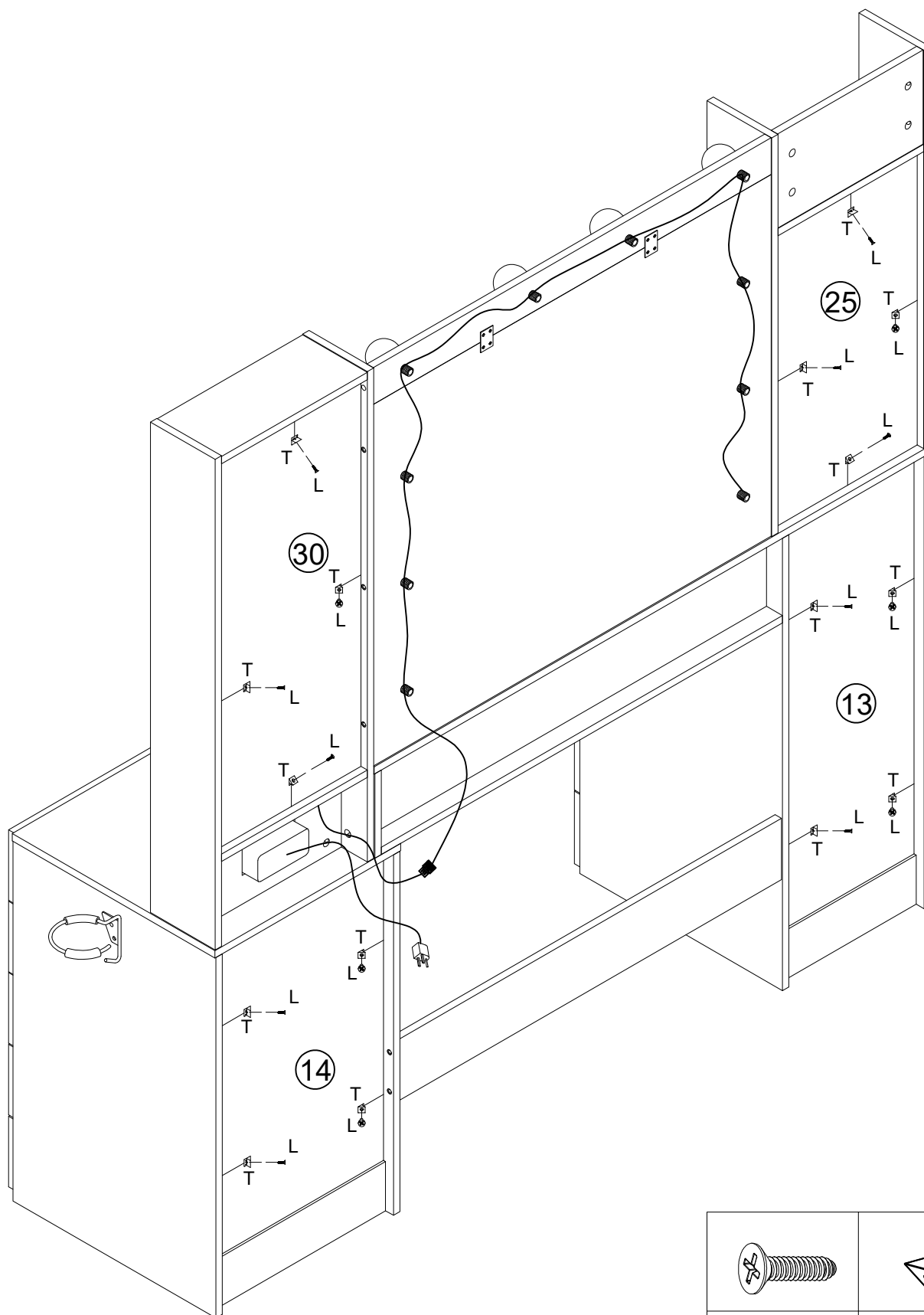
	
Dx2	J-2x1

STEP59

with your hand



# STEP60

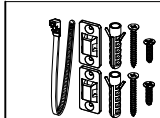
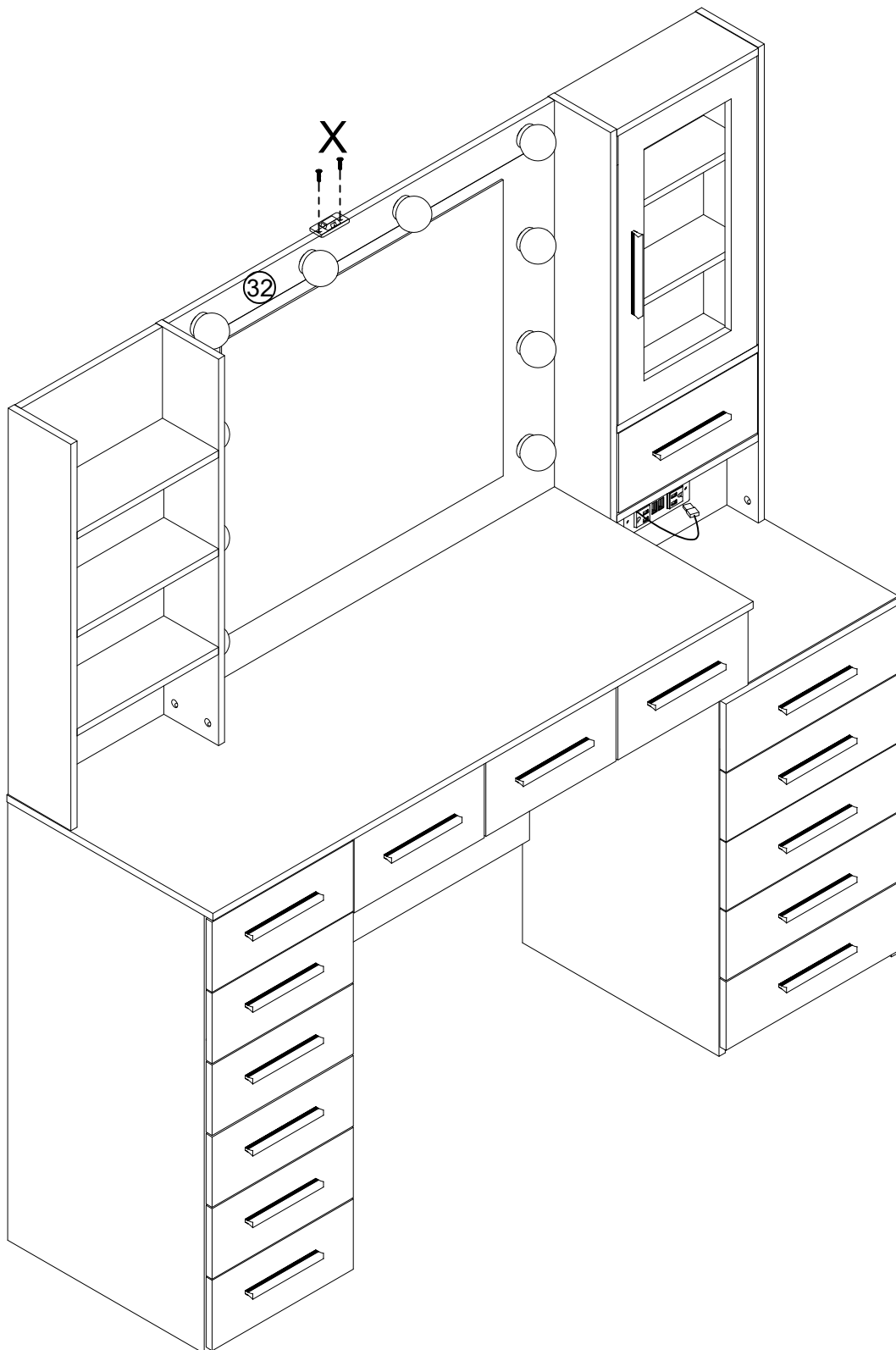
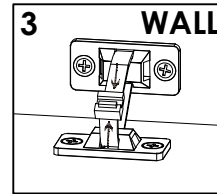
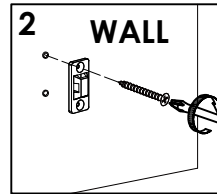
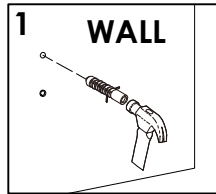
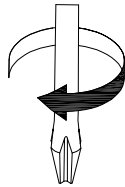


Lx16



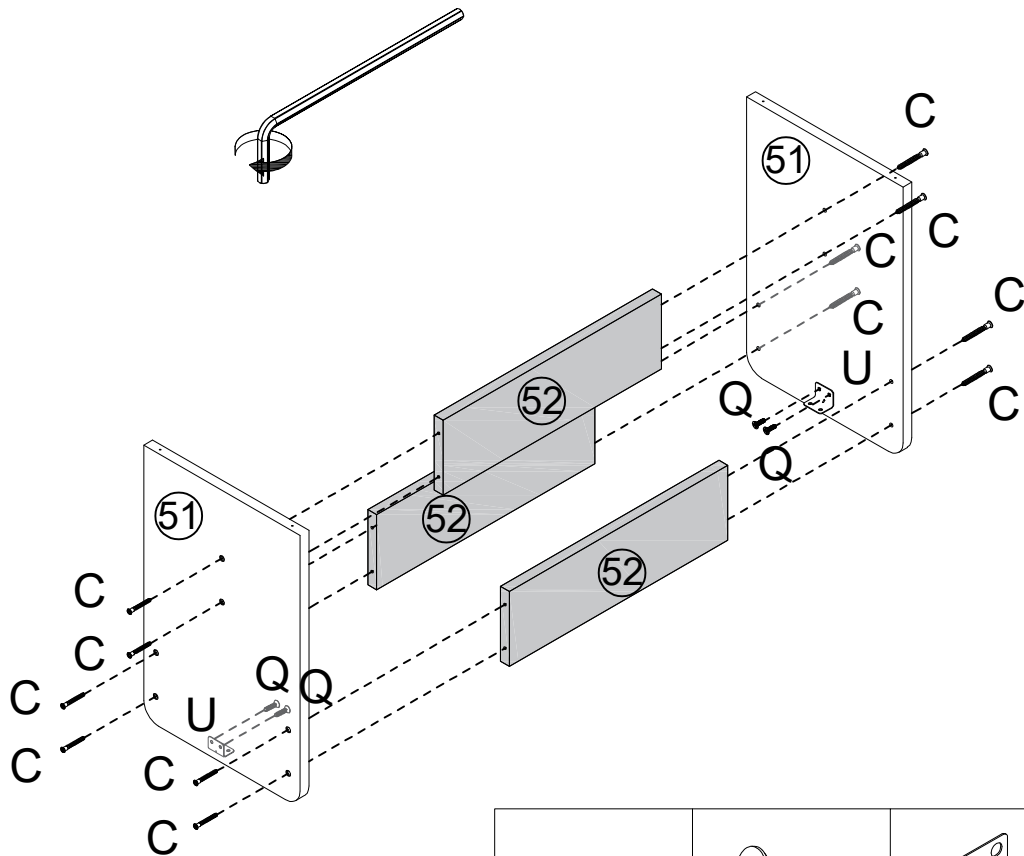
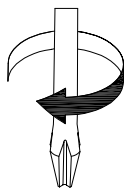
Tx16

# STEP 56



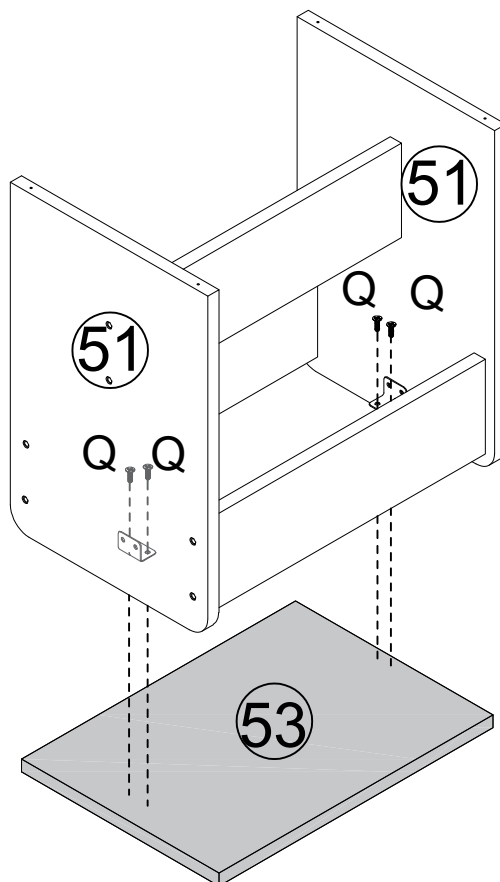
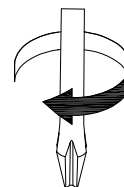
Xx1

# STEP61



Cx12	Qx4	Ux2

# STEP62



Qx4