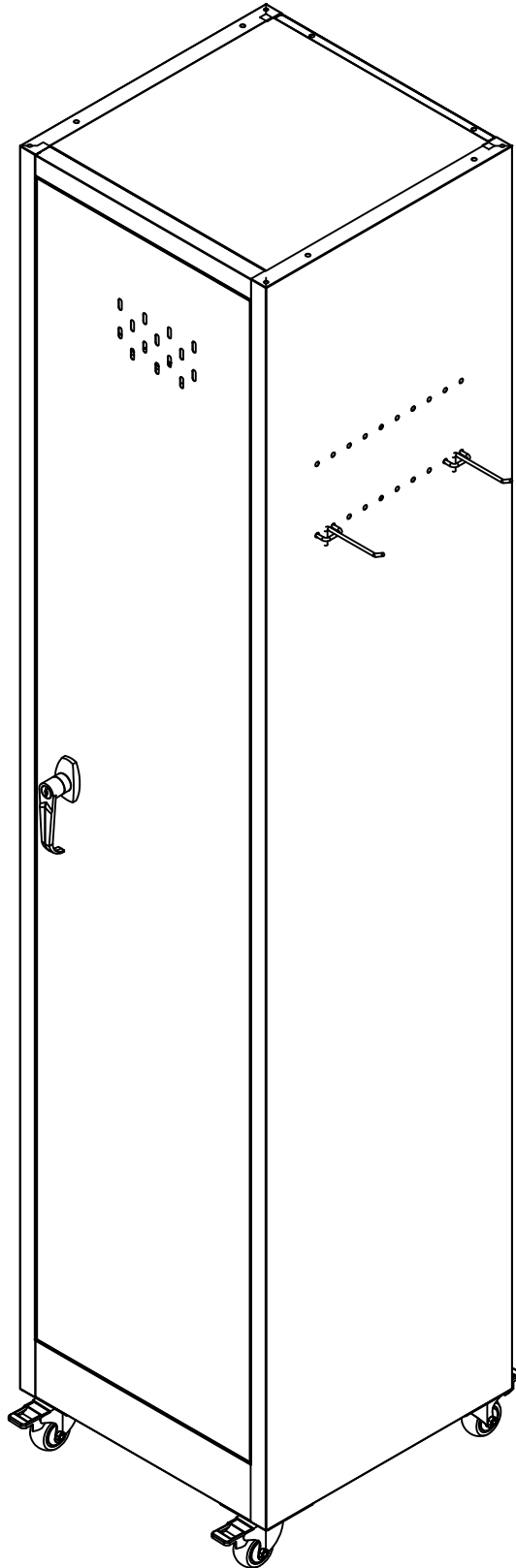
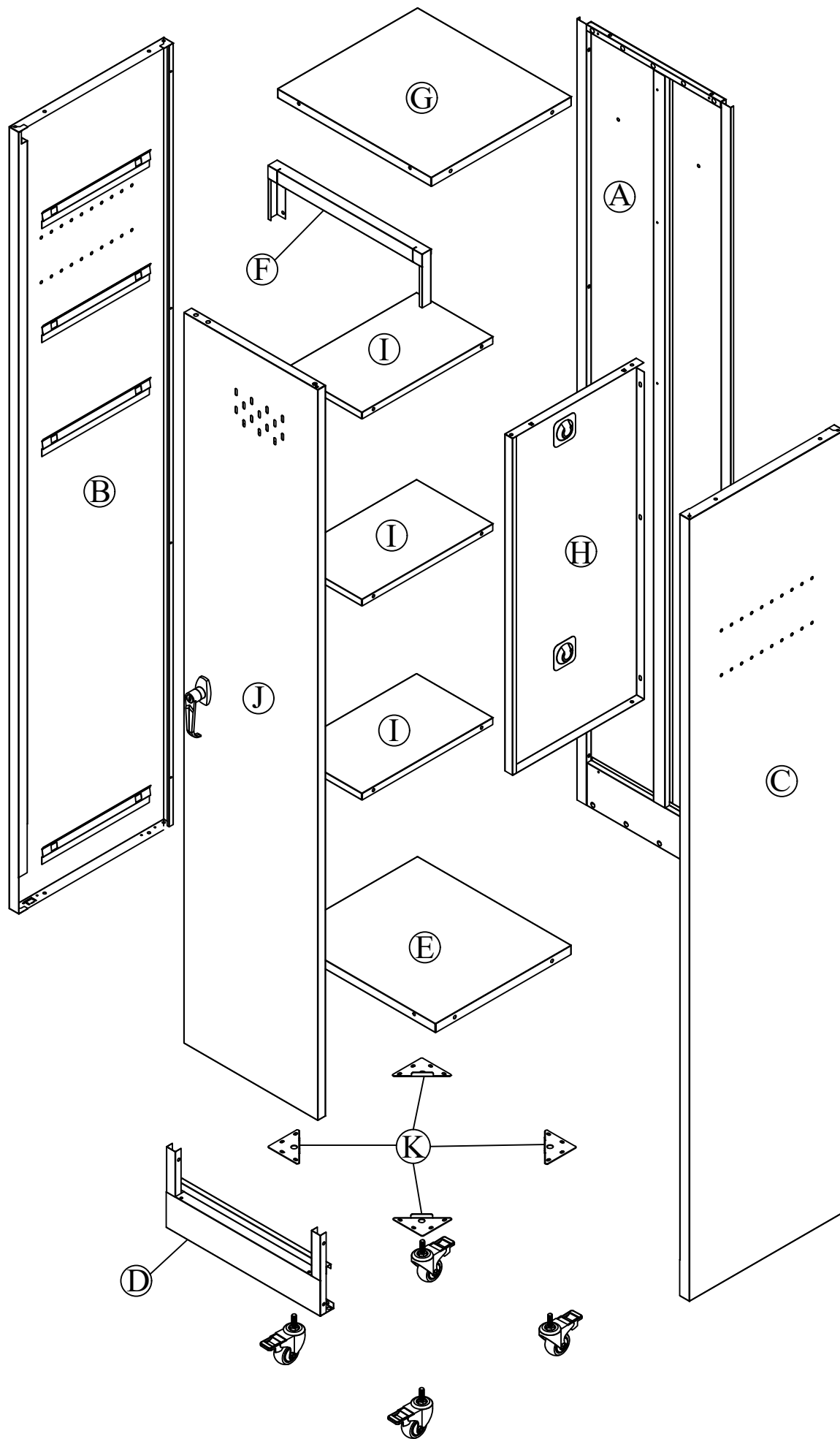
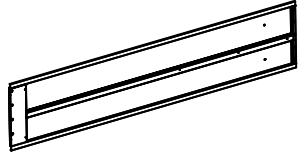

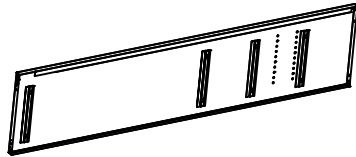
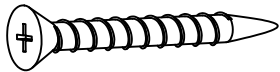
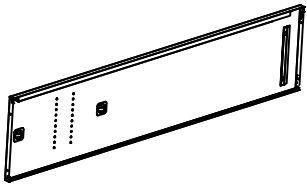
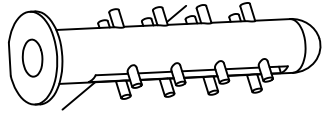
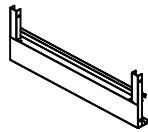

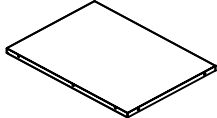
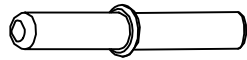
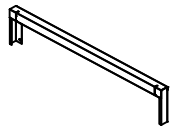
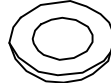
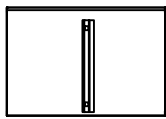
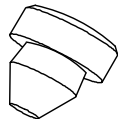
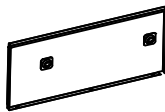

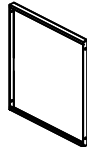
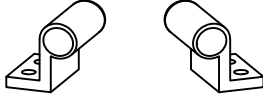




# Assembly Instructions





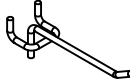







# Accessories

Name		Picture	QTY	Name		Picture	QTY
A	Back Panel		1	K	Gasket		4
B	Left Side Panel		1	L	1-3/16" Screw		2
C	Right Side Panel		1	M	Wall Anchor Screw		2
D	Kick Plate		1	N	13/32" Screw		39
E	Bottom Panel		1	O	Door Pivot Pin		1
F	Top Rail		1	P	Shim		2
G	Top Panel		1	Q	Foam Pad		2
H	Middle Plate		1	R	Towel Rail		2
I	Shelf		3	S	Pedestal		2
J	Door		1	T	M3 * 8 Screw		8

# Accessories

Name		Picture		QTY	Name		Picture	QTY
U	Hanger Rod			2	V	Peg		4
W	Lock & Key			1	X	Hook		4
Y	Wheel			4		Spring Shaft	 Already pre-installed on the door	

 **CAUTION**

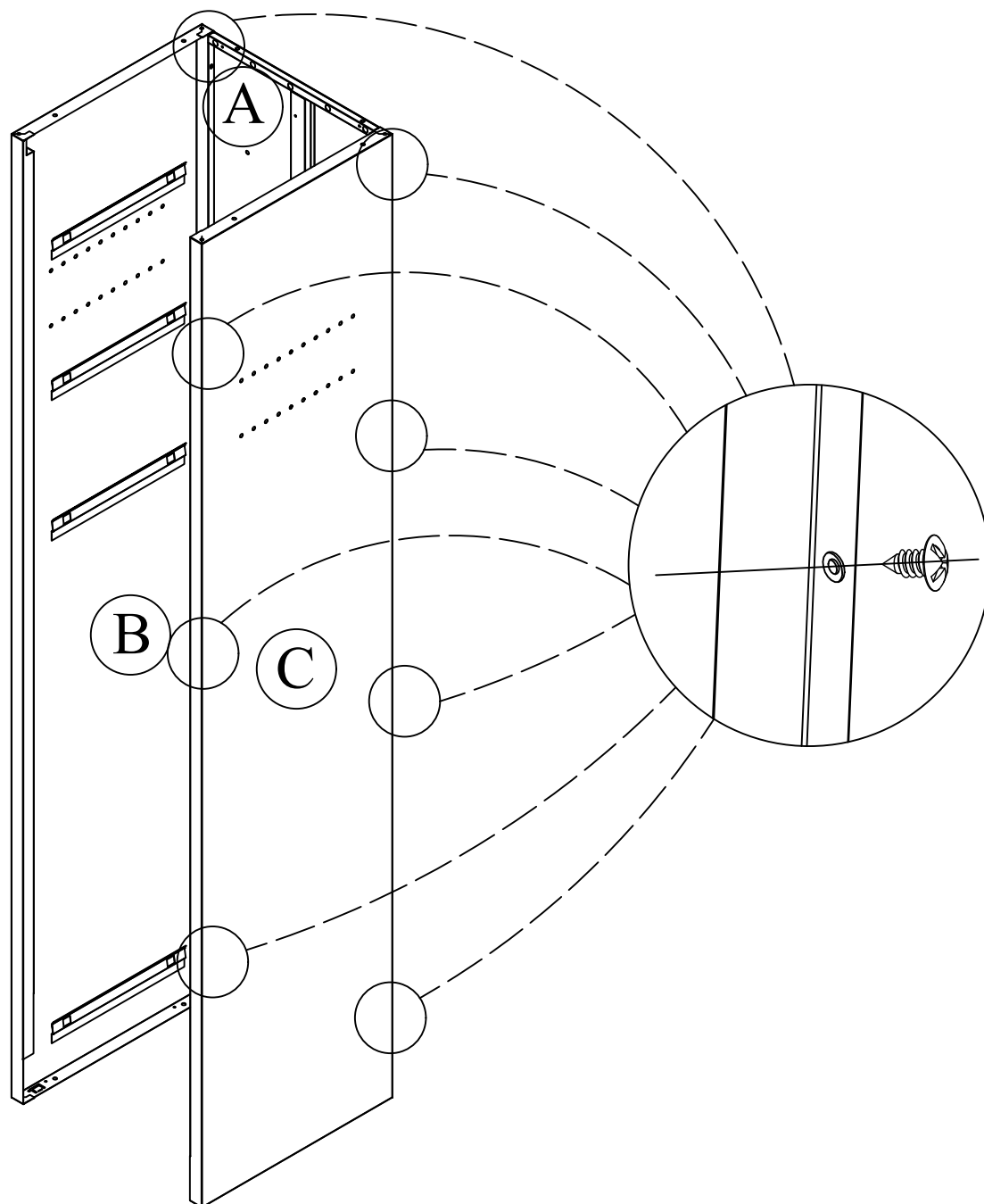
An assistant is required

If there is any problem, please feel free to contact our customer service team and we are always here to assist with you!

If there is any slight dent or damage, you can try to fix it by pliers or hammers or contact us.

# Step 1

Connect back panel A with side panels B and C by 8 screws N

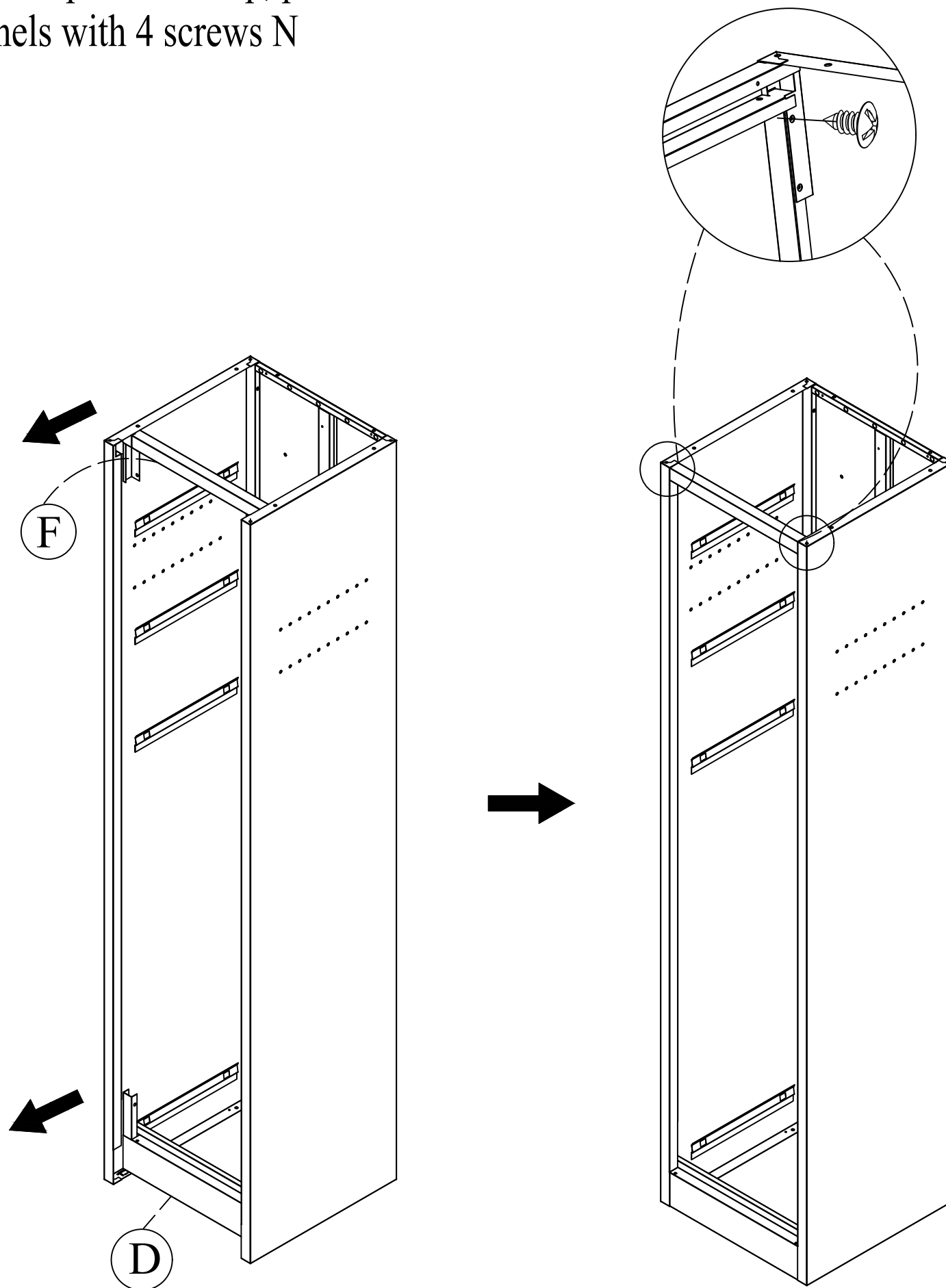


## Step 2

(N)  × 4

Insert the kick plate D at bottom and push it forward to snugly fit it with side panels

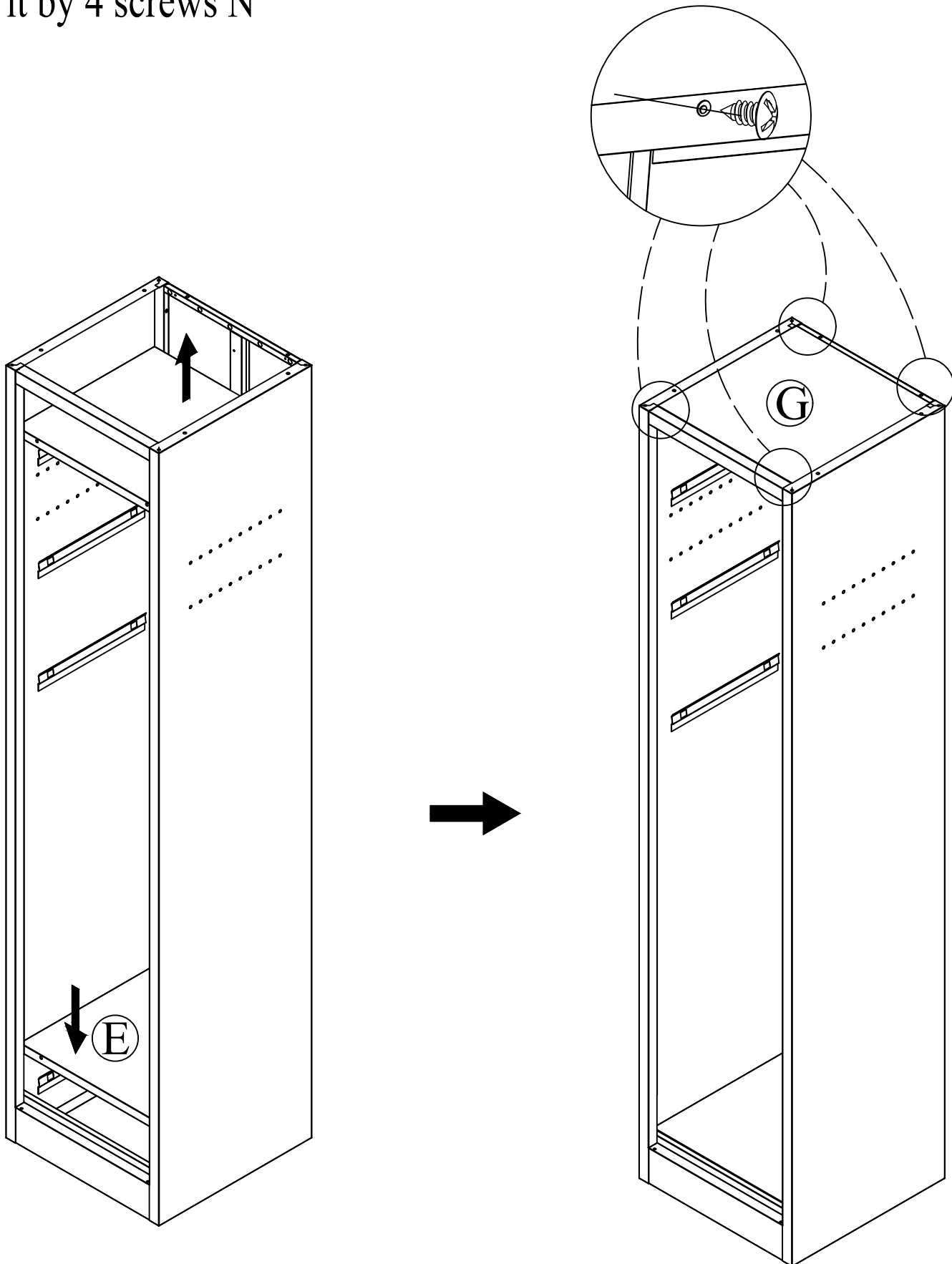
Insert the top rail F at top, push it forward and fix it on side panels with 4 screws N



### Step 3

Put the bottom panel E into the cabinet and press it down

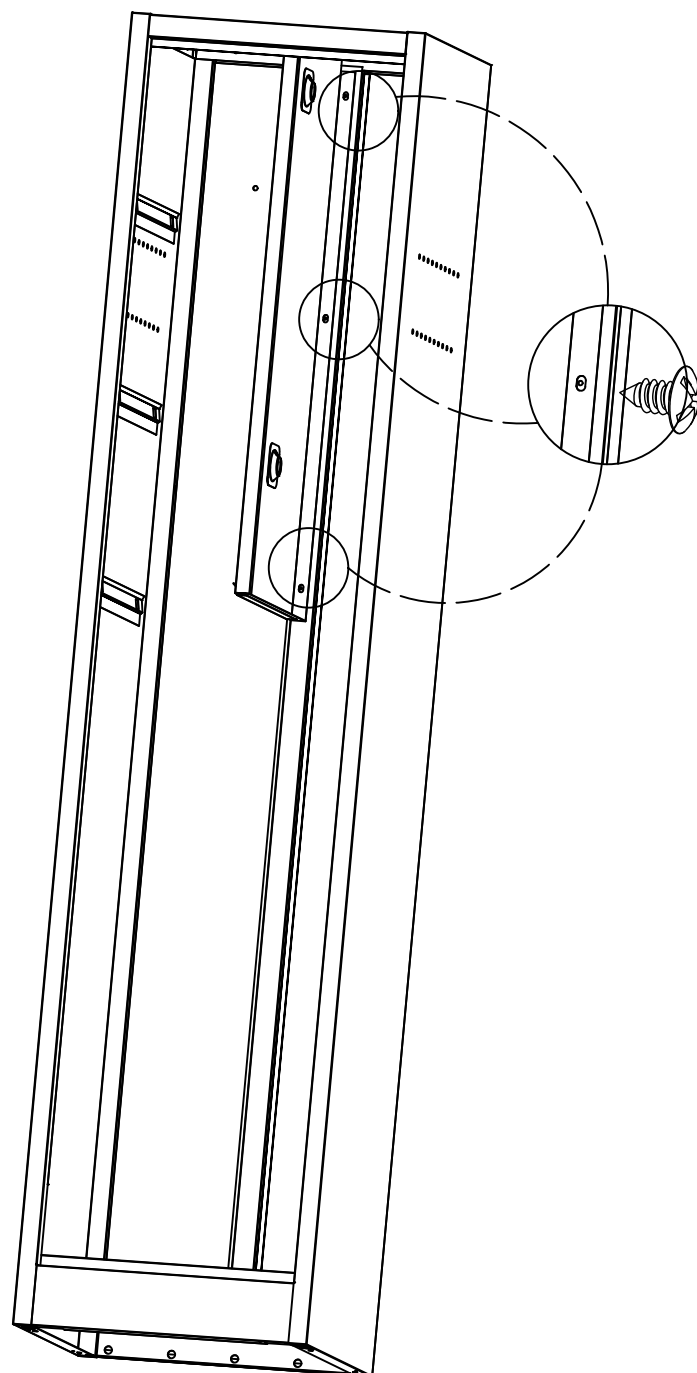
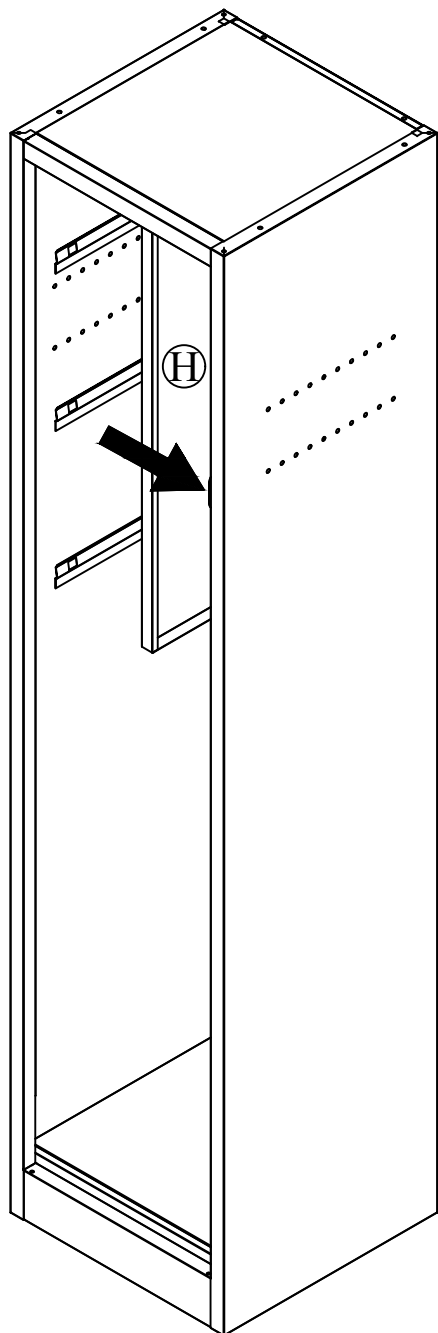
Put the top panel G into the cabinet, push it upward and fix it by 4 screws N



## Step 4

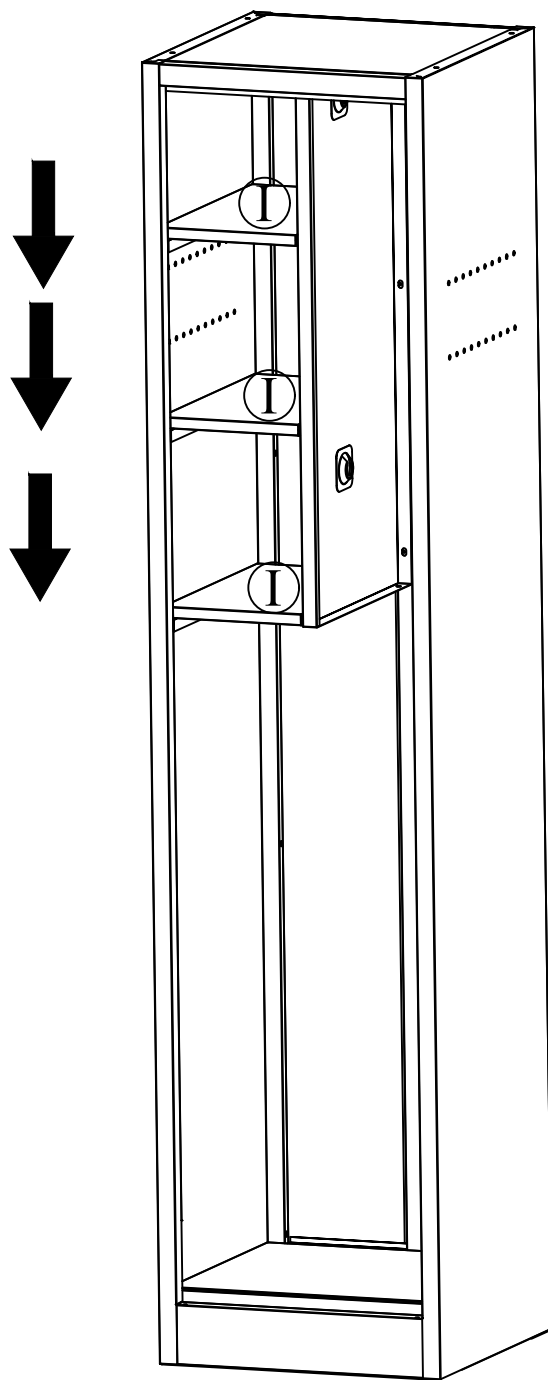
Install the middle plate H and fix it on the back panel with 3 screws N

Ⓝ × 3



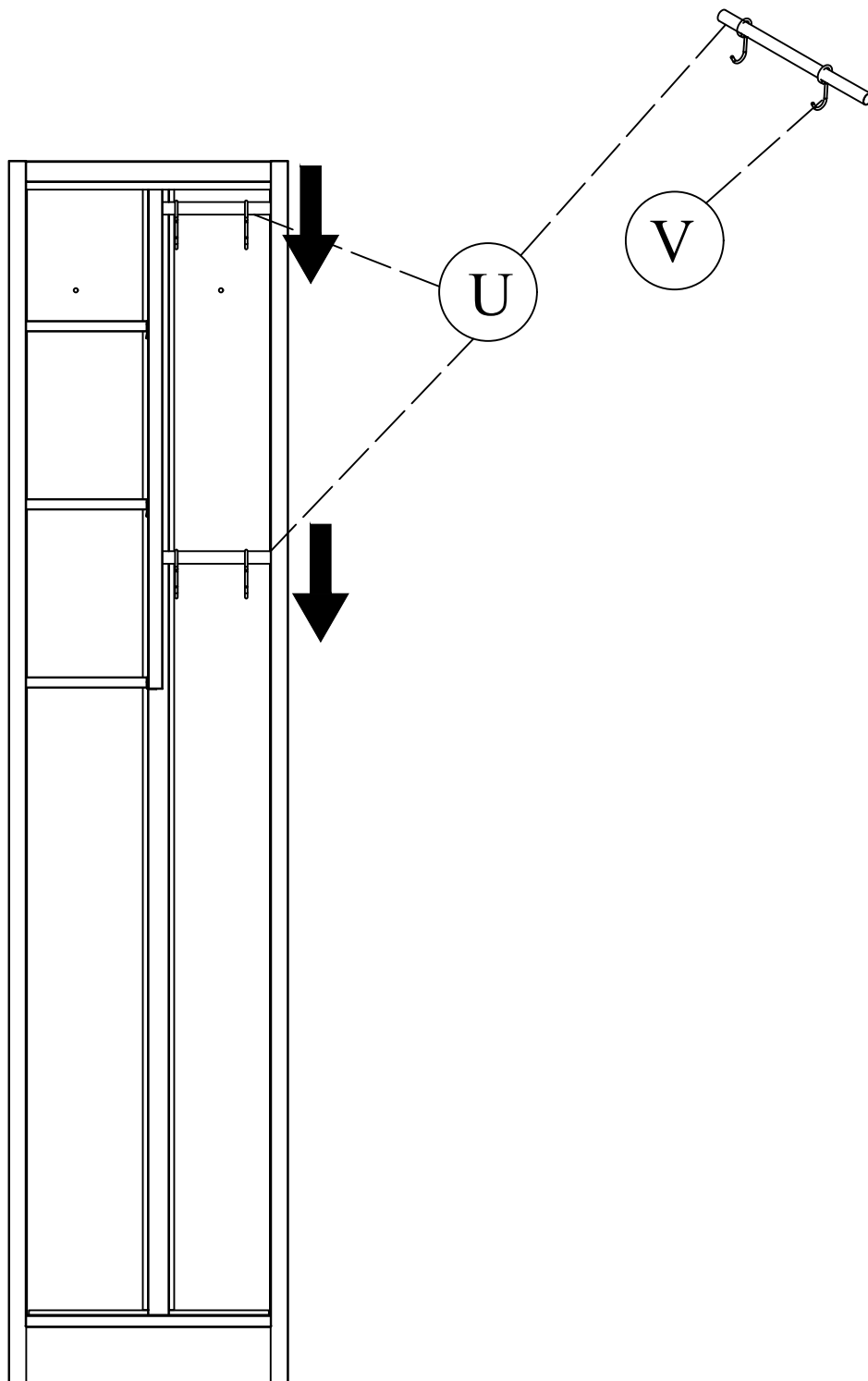
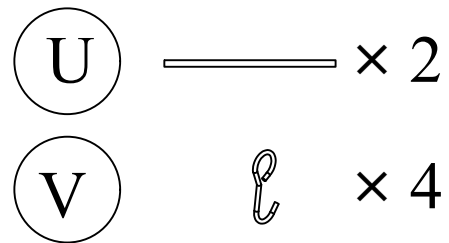
# Step 5

Install all the shelves I






# Step 6

Install 4 pegs V on the 2 hanger rods R, then hang the hanger rods on the cabinet



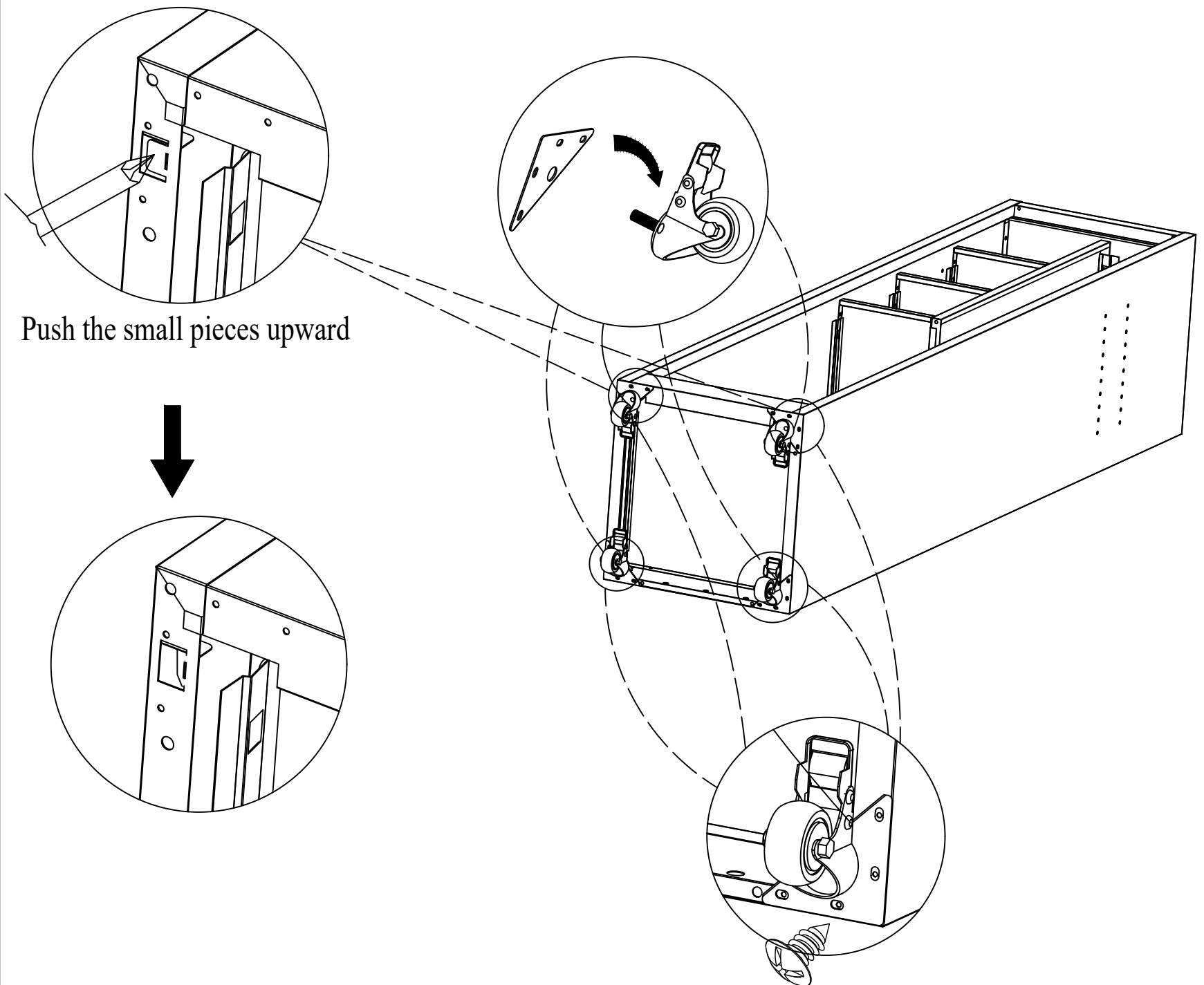
## Step 7

Connect 4 wheels Y with 4 gaskets K and fix them on the cabinet with 16 screws N

(K)		× 4
(Y)		× 4
(N)		× 16

### Attention:

Please lock 4 wheels to keep stable before you placing the cabinet upright.

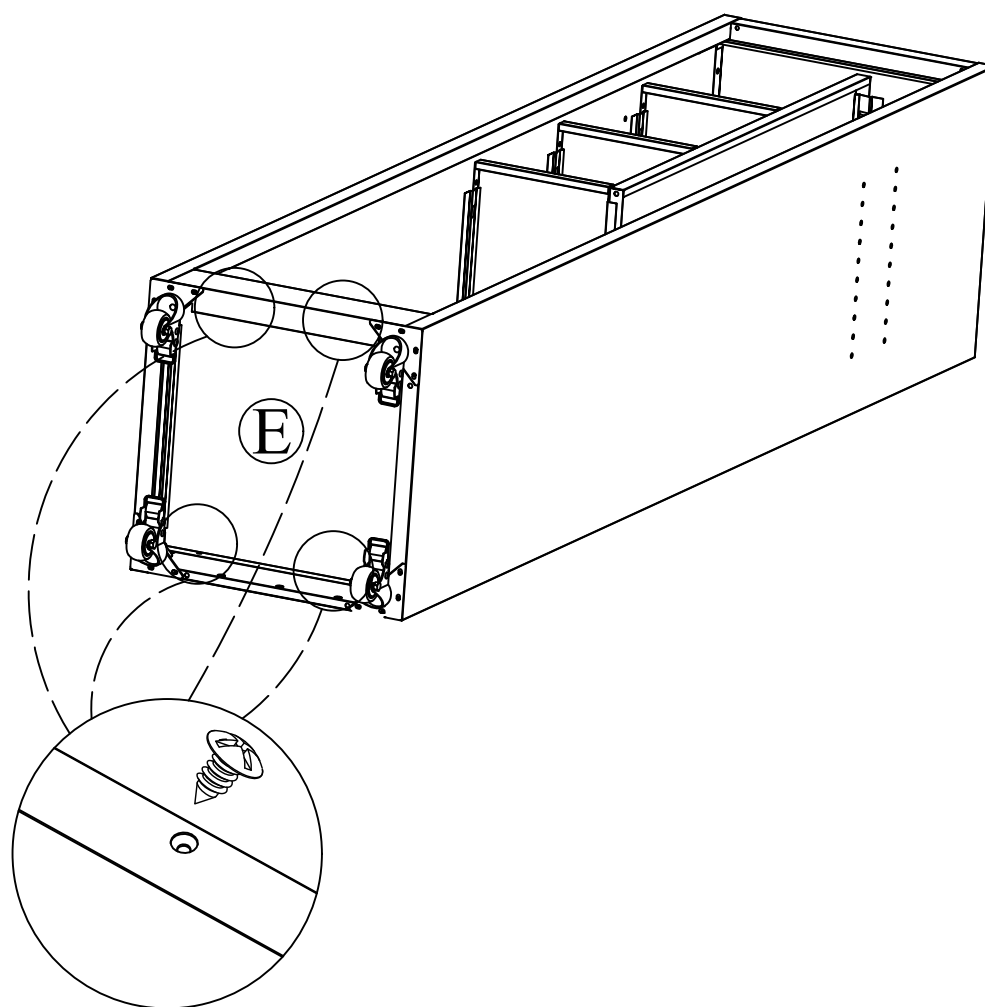


Step 8

Fix the bottom panel E by 4 screws N





× 4




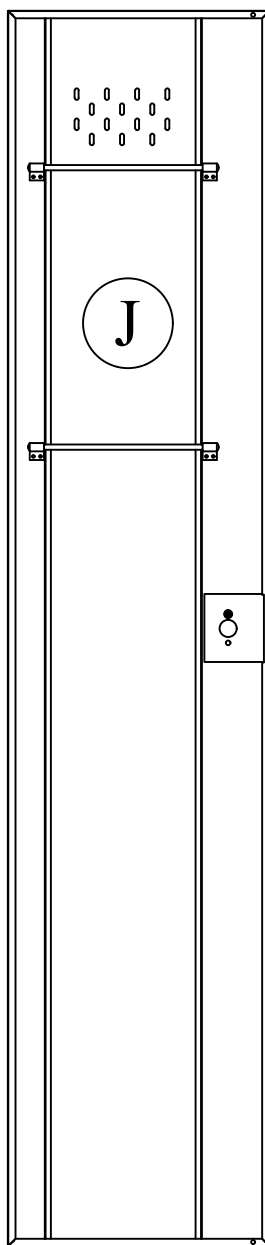
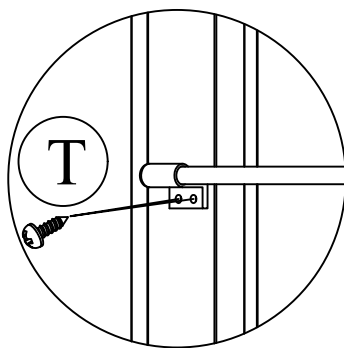
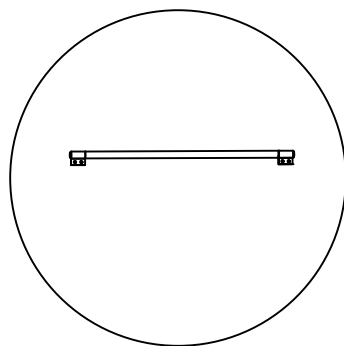
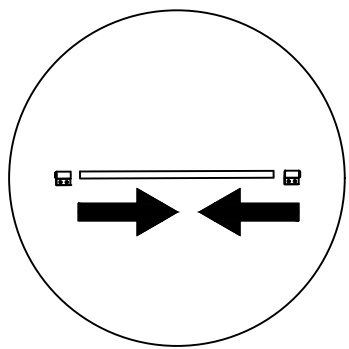
# Step 9

Insert the both ends of towel rails R into the pedestals S, then fix 4 pedestals on the door J with 8 screws T

Ⓡ — × 2

Ⓢ   × 2

Ⓣ  × 8

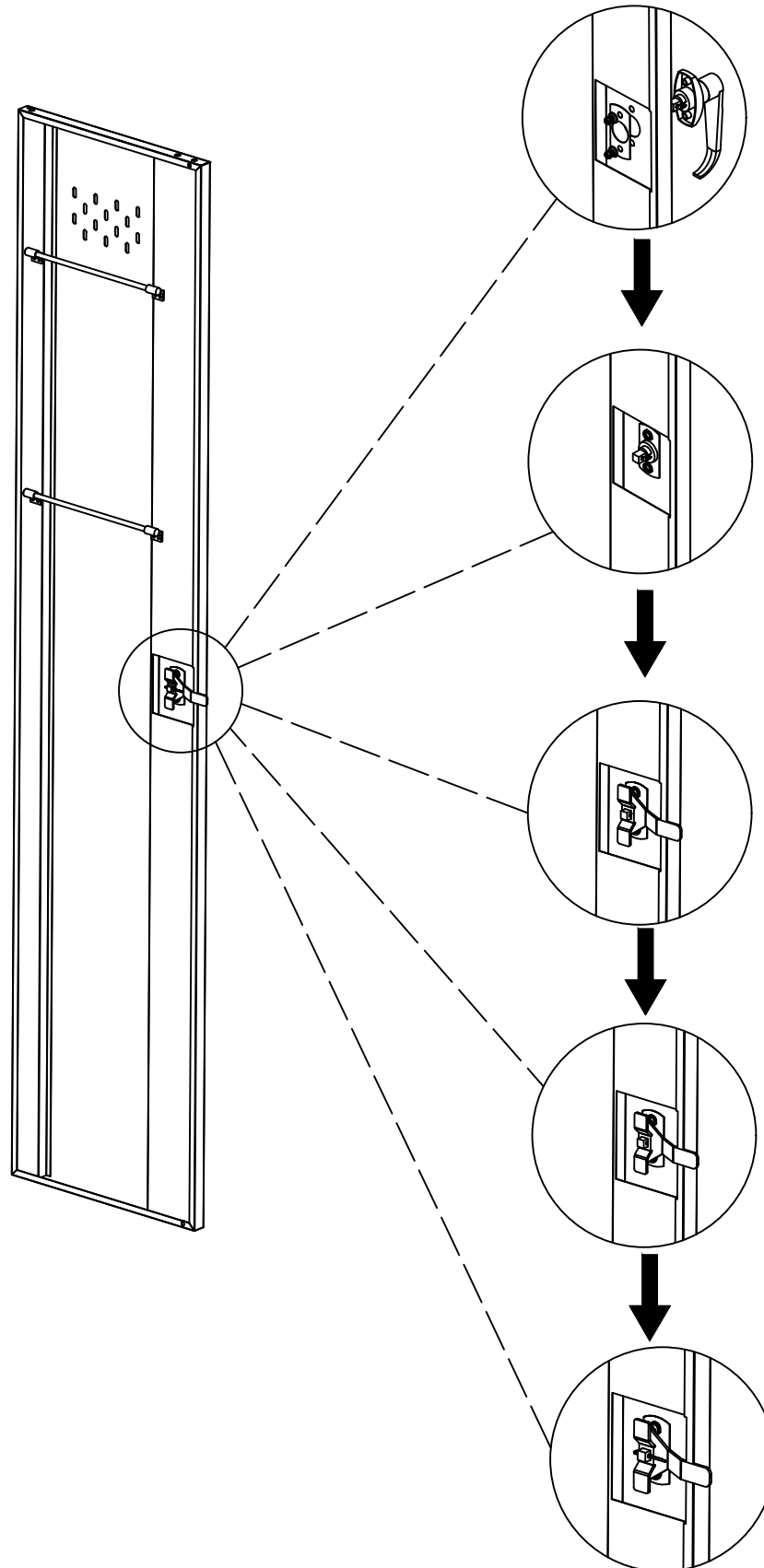


Step 10  
Install the lock



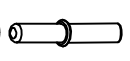


Attention:

Please remove the keys and store them properly before installing the lock.

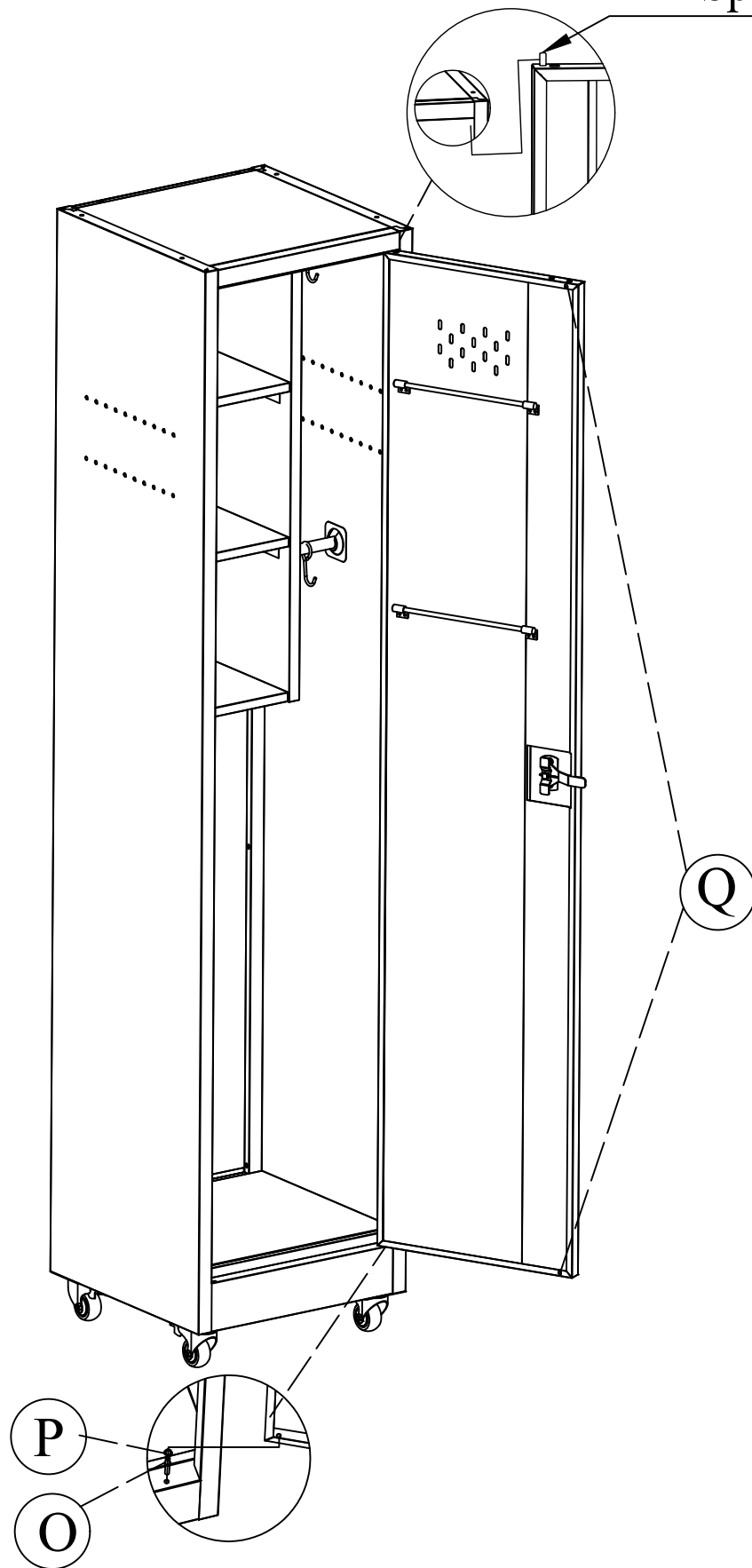


# Step 11

Insert the door pivot O into the hole of the bottom corner (0/1/2 shims P can be used to adjust the seam), then insert the door J into the pivot at the bottom and adjust the spring shaft on the top

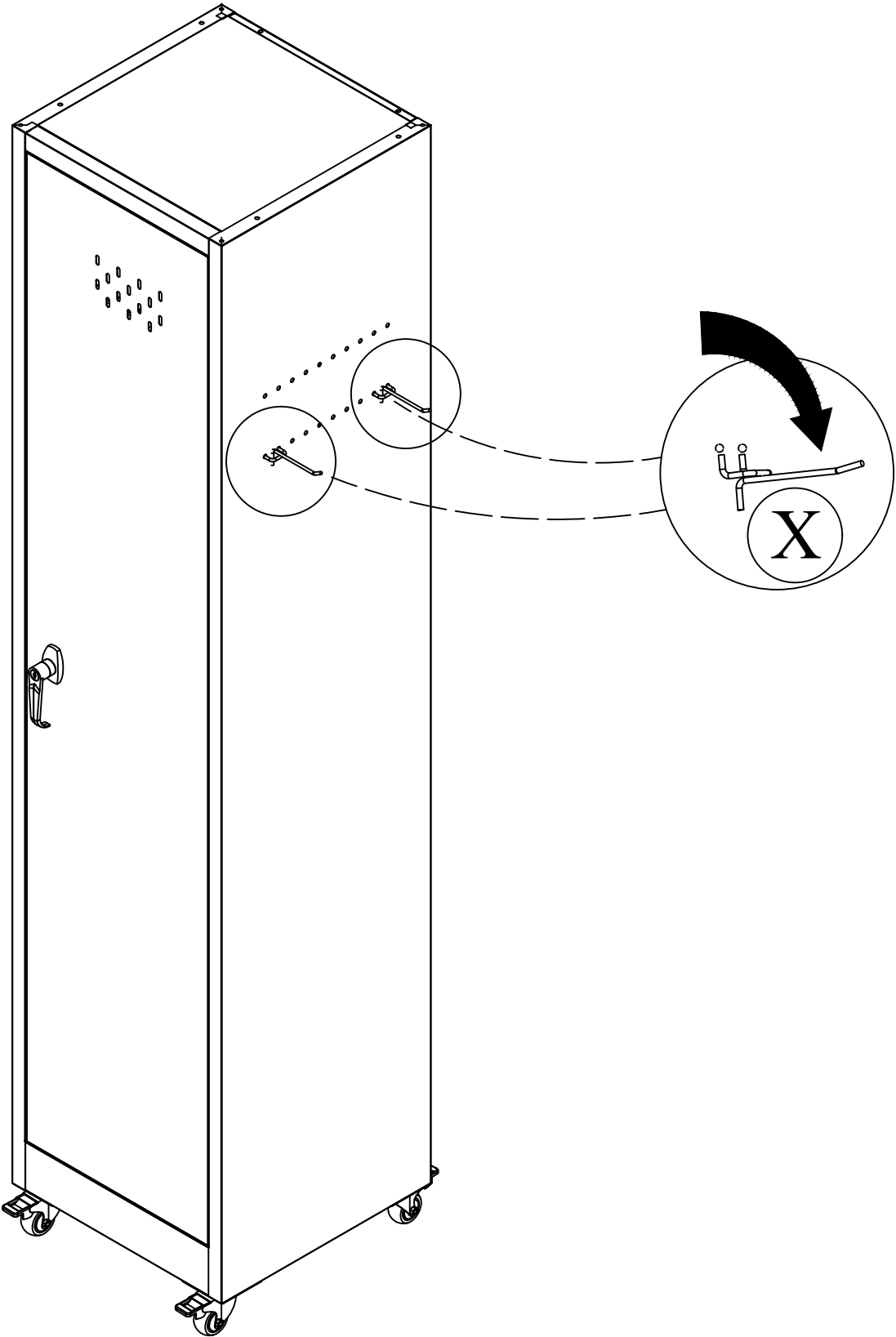
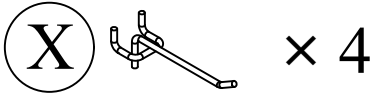
- O  × 1
- P  × 2
- Q  × 2

Spring shaft




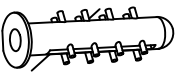
Step 12

Hang 4 hooks X on side panels B and C as needed



# Step 13

Fix the cabinet on the wall with 2 screws L and M to prevent tipping

- (L)  × 2
- (M)  × 2

