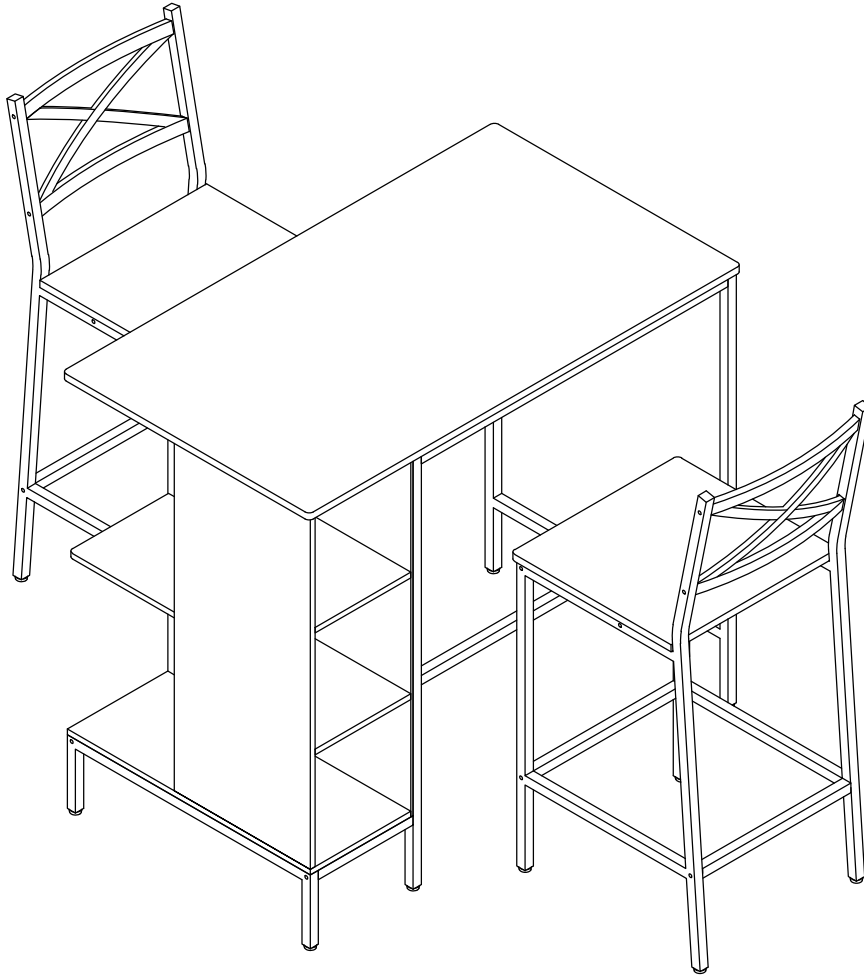




INSTRUCTIONMANUAL



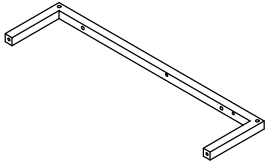
■ Please don't tighten the screws completely and go back later for a final tightening of all the screws after pieces are aligned with each other.



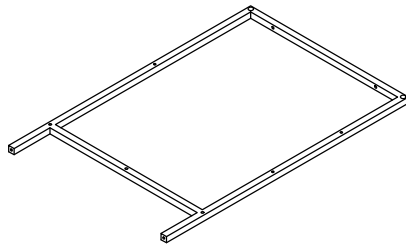
■ If you have any question, please feel free to contact us. Mail us support@ironck.com

MADE IN CHINA

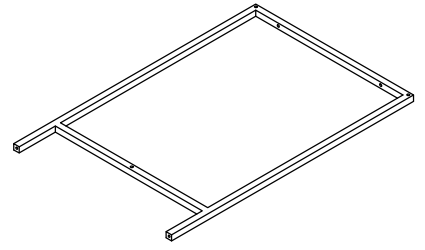
HARDWARELIST



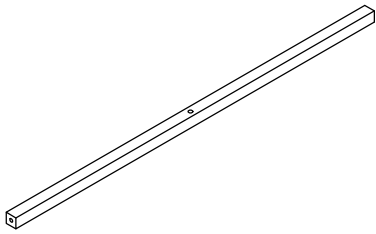
① x1PC



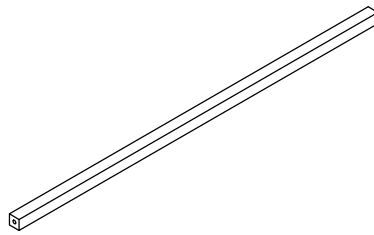
② x1PC



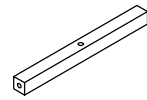
③ x1PC



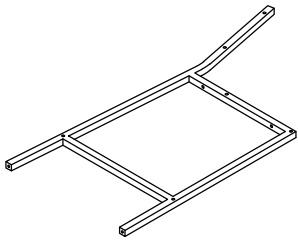
④ x2PCS



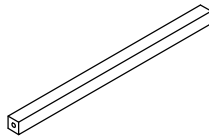
⑤ x1PC



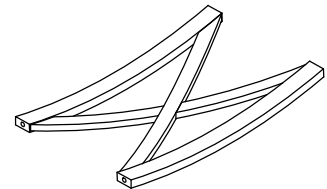
⑥ x2PCS



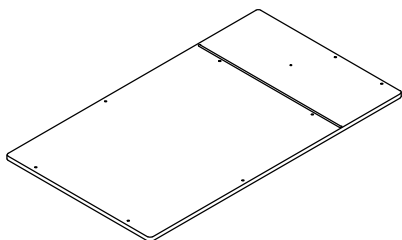
⑦ x4PCS



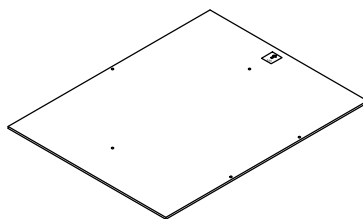
⑧ x8PCS



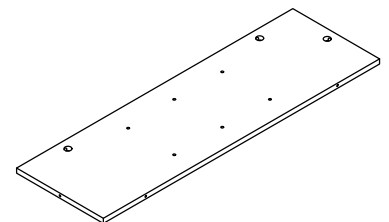
⑨ x2PCS



⑩ x1PC

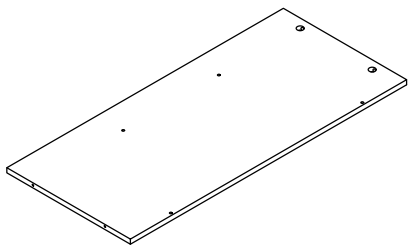


⑪ x1PC

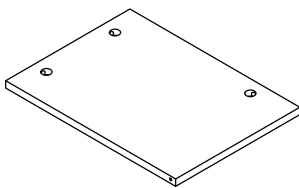


⑫ x1PC

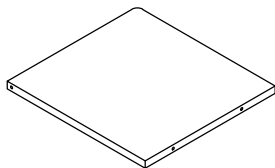
HARDWARELIST



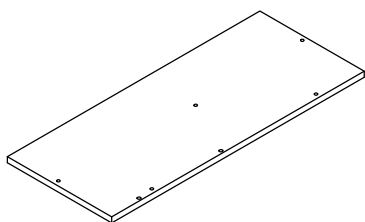
⑬x1PC



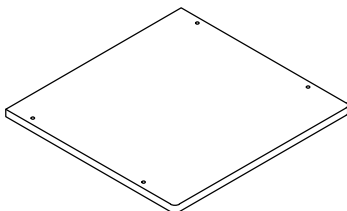
⑭ x2PCS



⑮x1PC

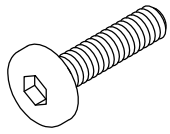


⑯ x1PC

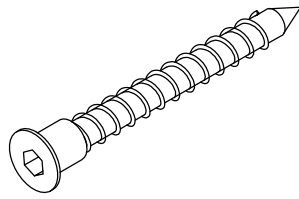


⑰x2PCS

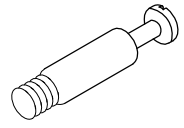
LISTPARTA



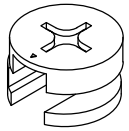
M6*28mm
A x 44PCS



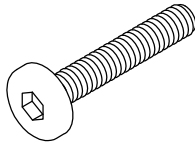
M5*45mm
B x 10PCS



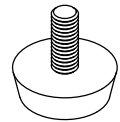
C x 11PCS



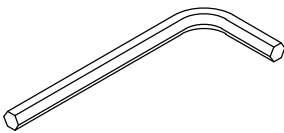
D x 11PCS



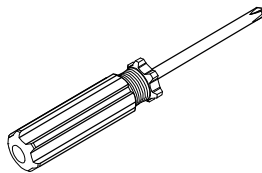
M6*35mm
E x 8PC



F x 14PCS

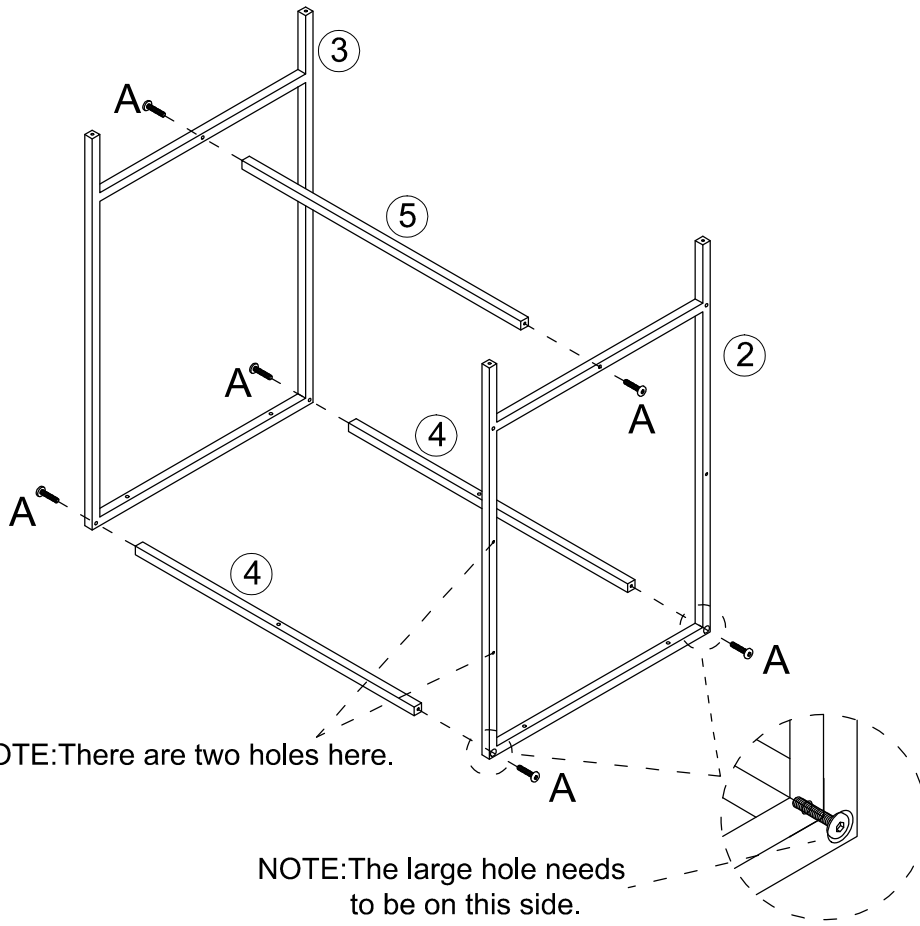


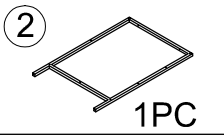
H x 2PCS

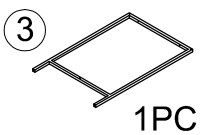


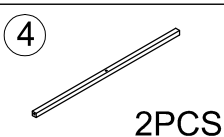
I x 1PC

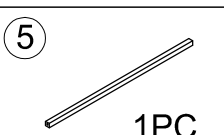
1

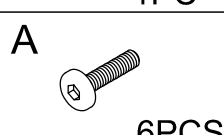


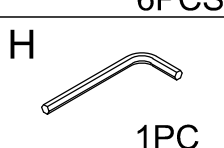
- 

② 1PC
- 

③ 1PC
- 

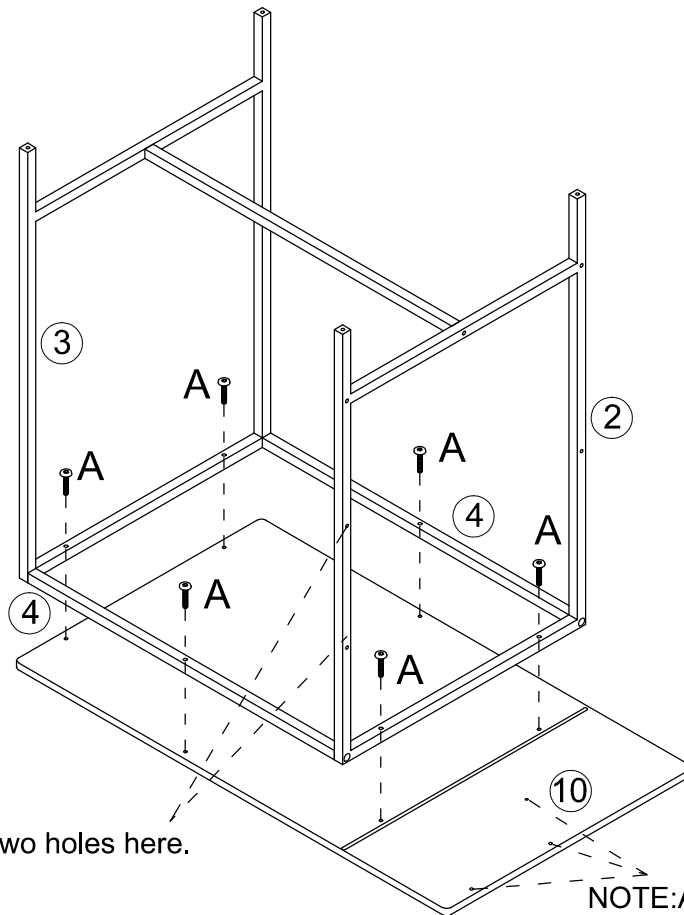
④ 2PCS
- 

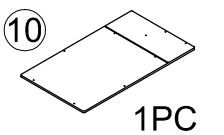
⑤ 1PC
- 

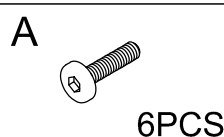
A 6PCS
- 


H 1PC

2



- 

⑩ 1PC
- 

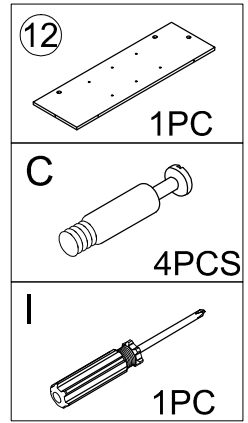
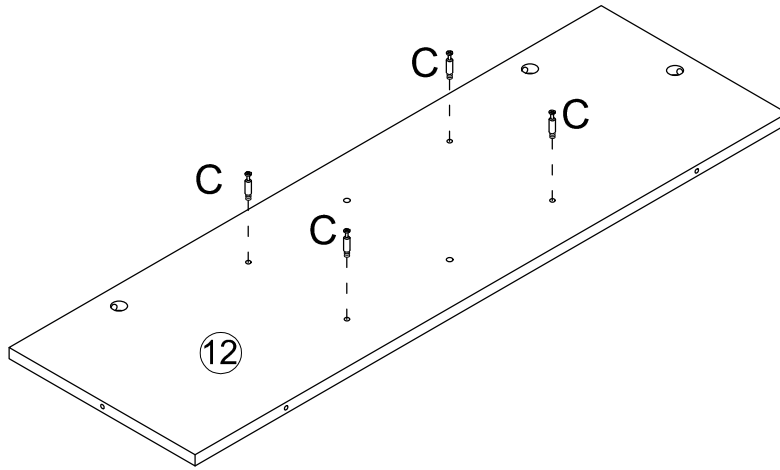
A 6PCS
- 

H 1PC

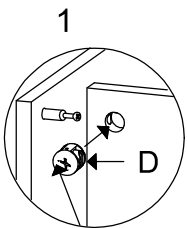
NOTE: There are two holes here.

NOTE: Attention should be paid to the positions of these three holes.

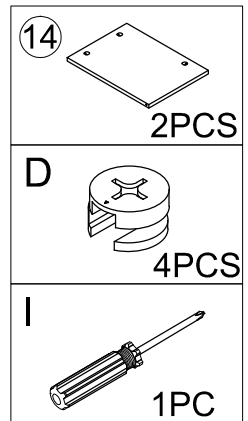
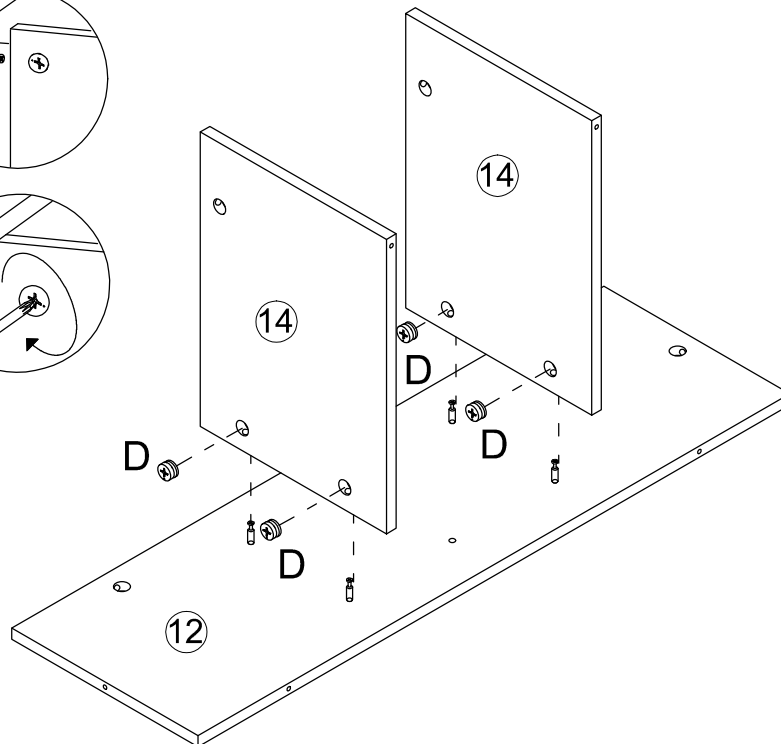
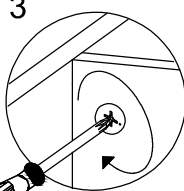
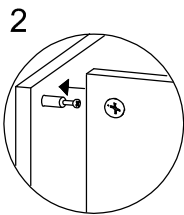
3



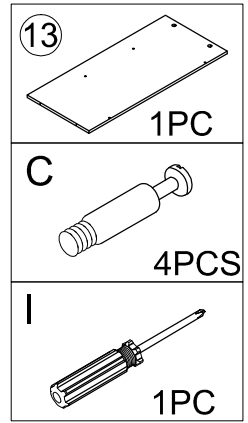
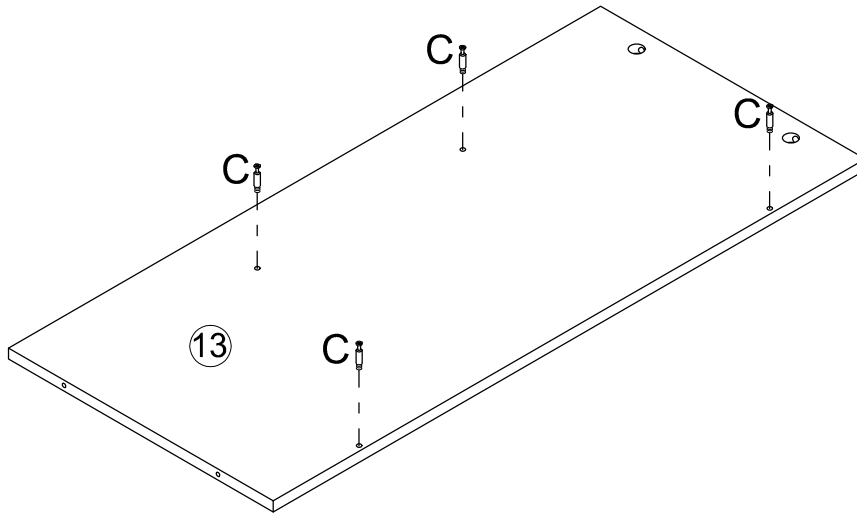
4



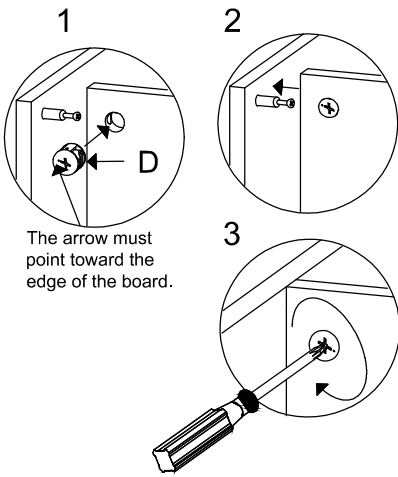
The arrow must point toward the edge of the board.



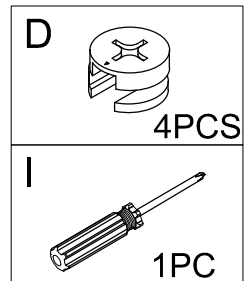
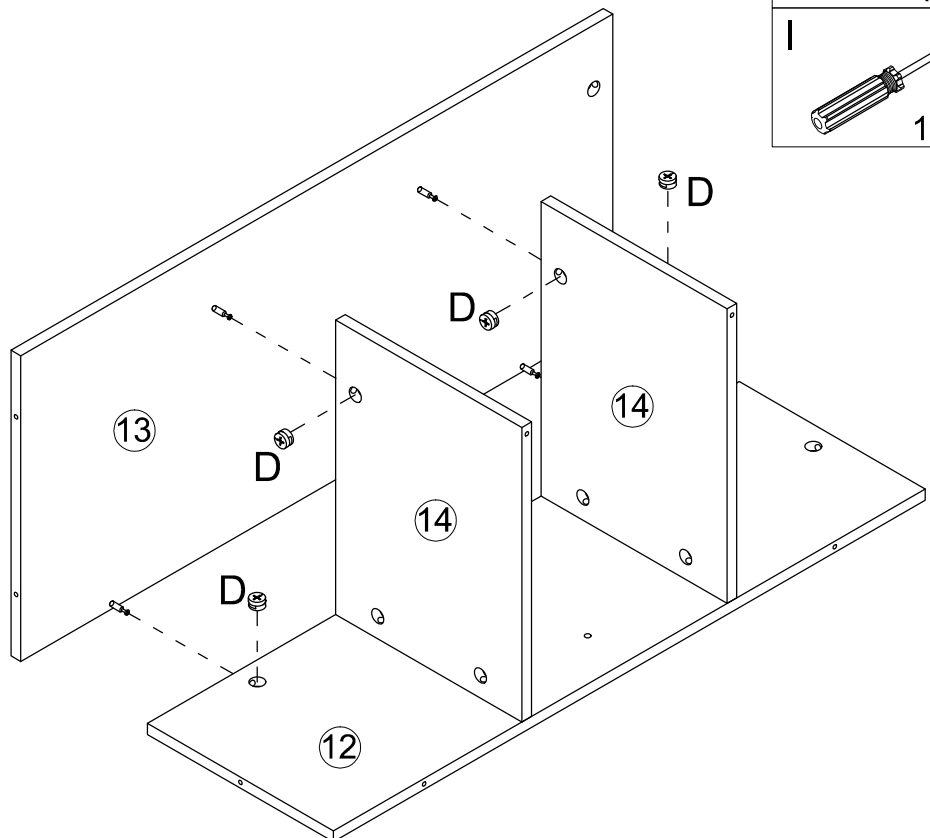
5



6

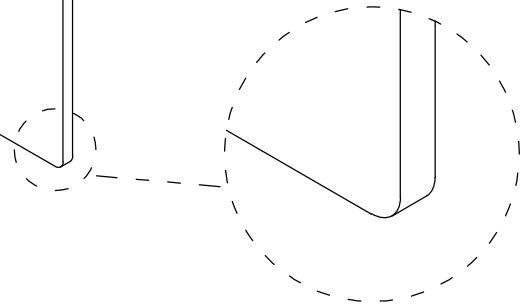
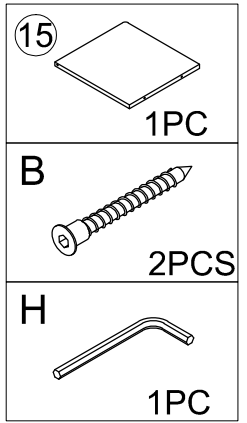
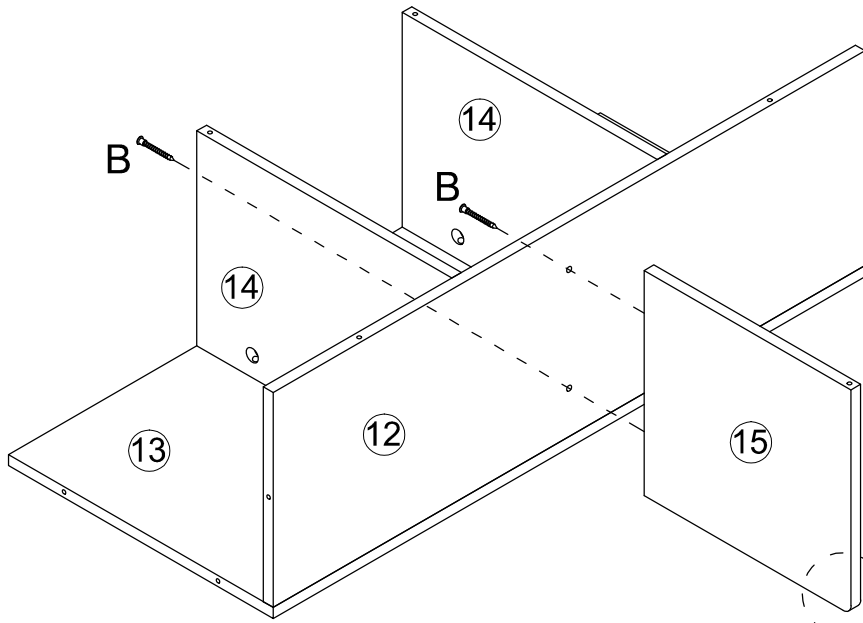


The arrow must point toward the edge of the board.

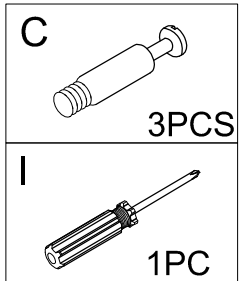
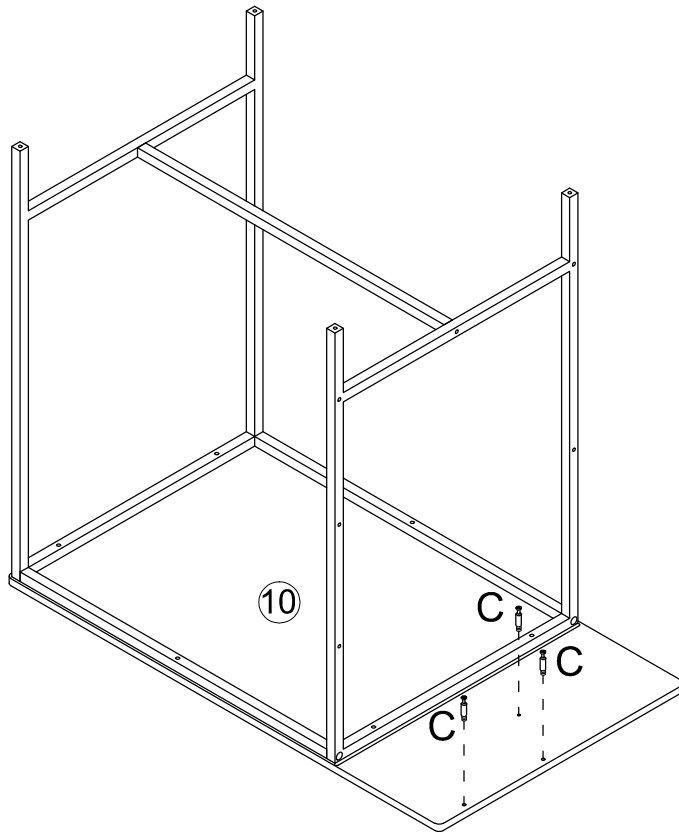


P7

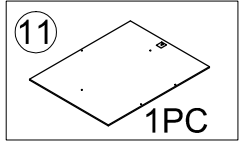
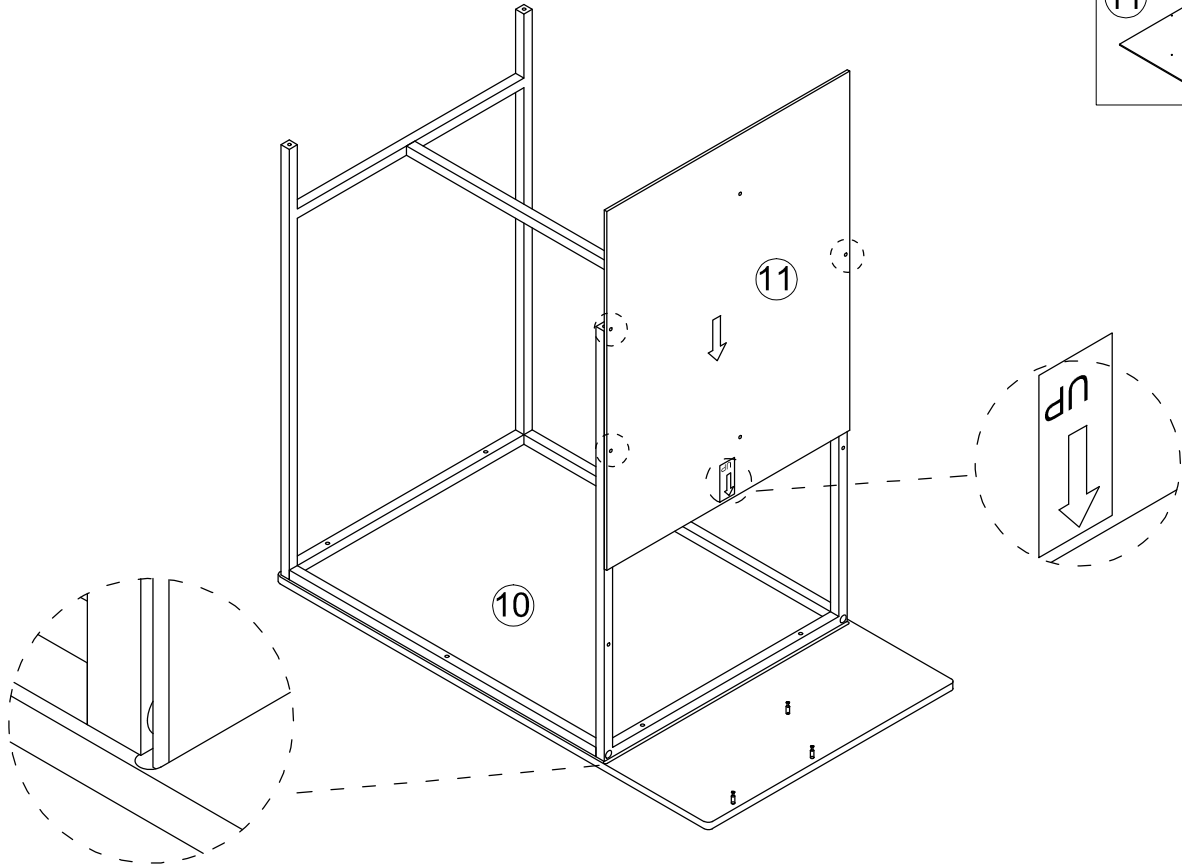
7



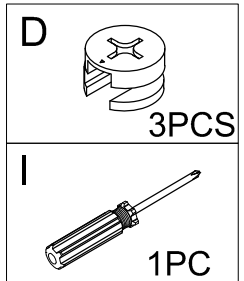
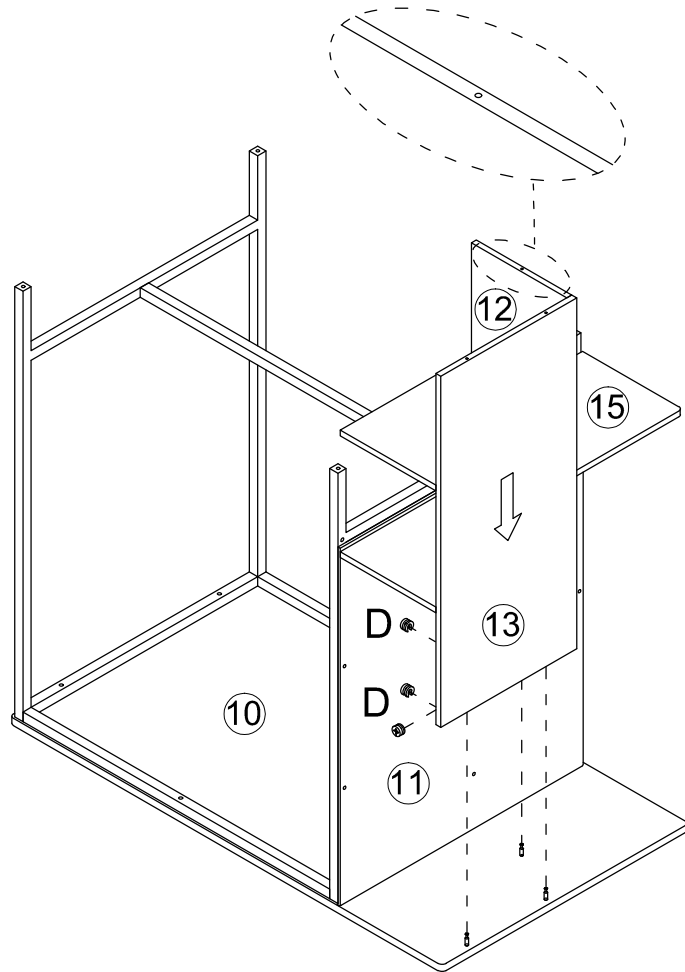
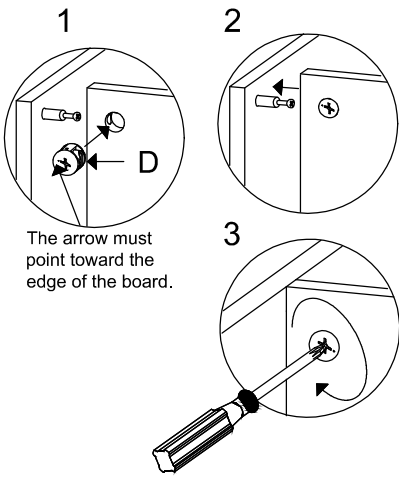
8



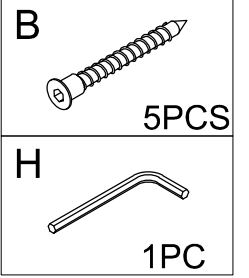
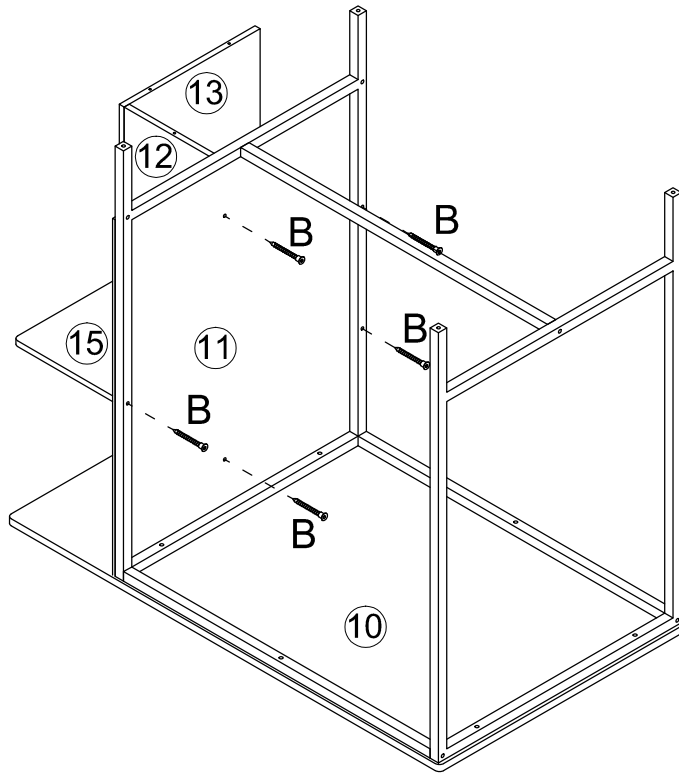
9



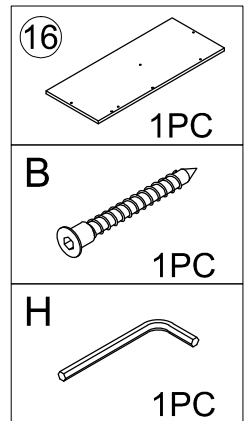
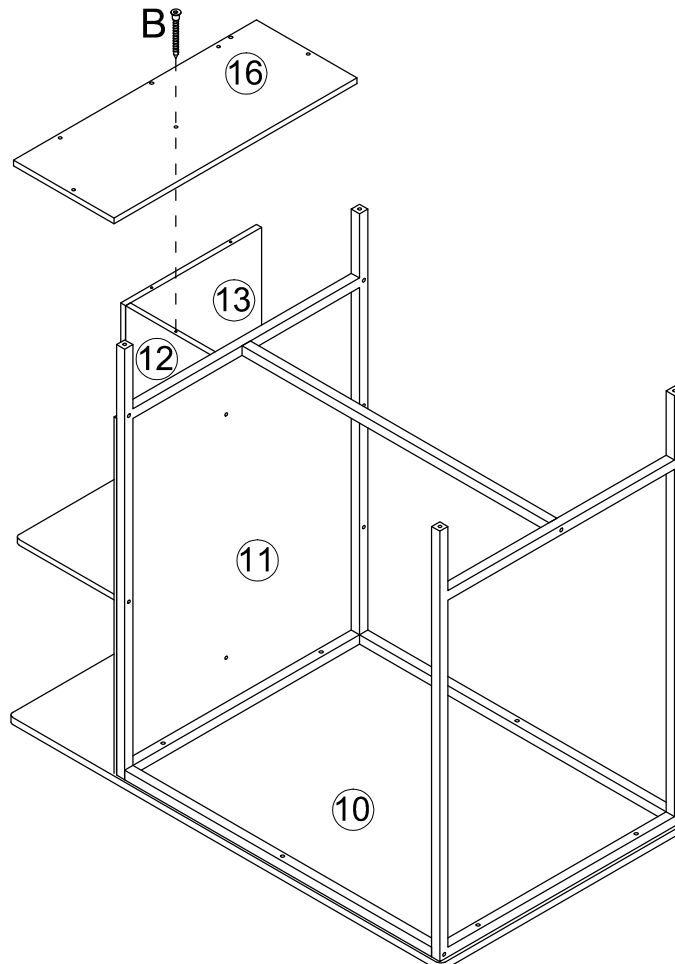
10



11

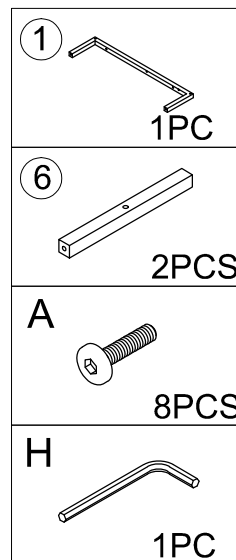
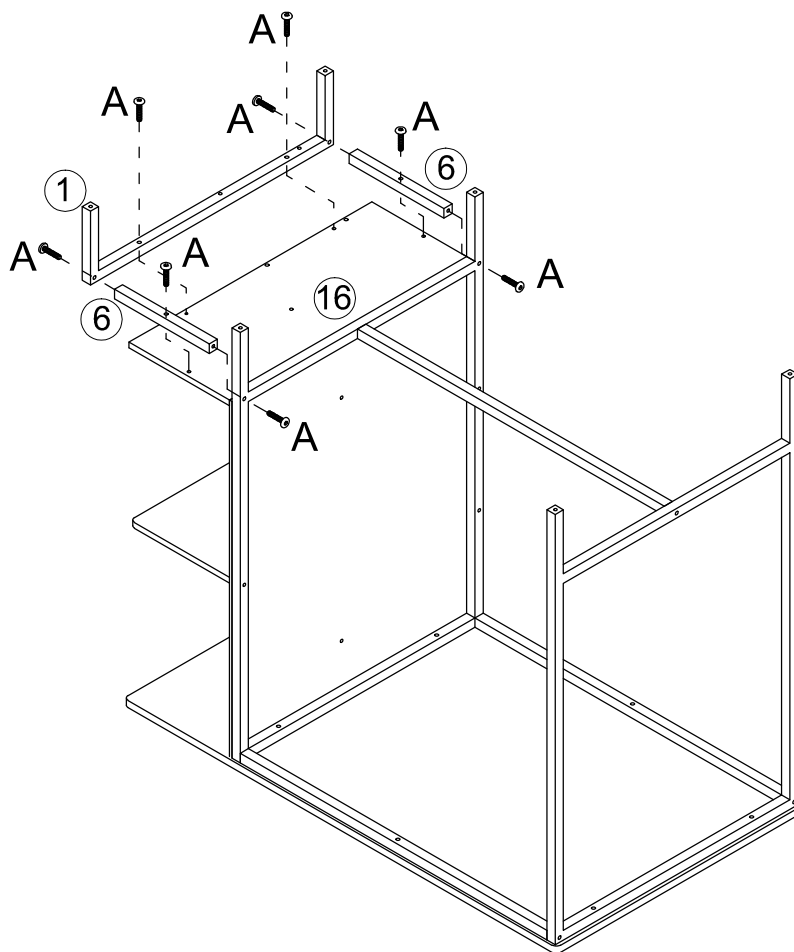


12

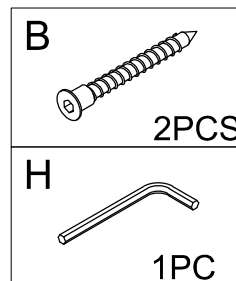
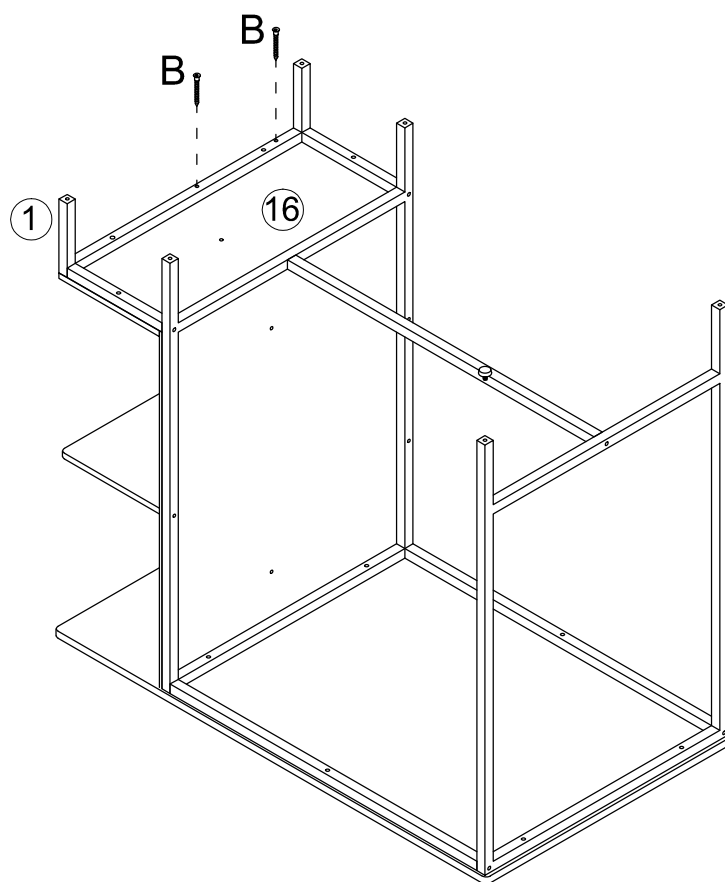


P10

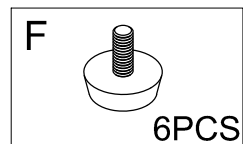
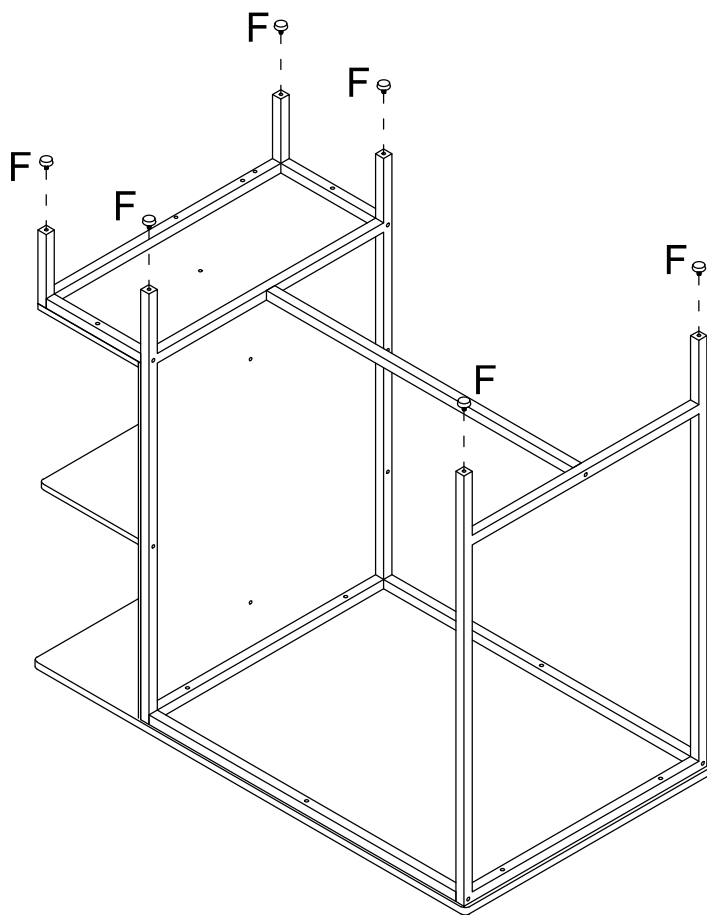
13



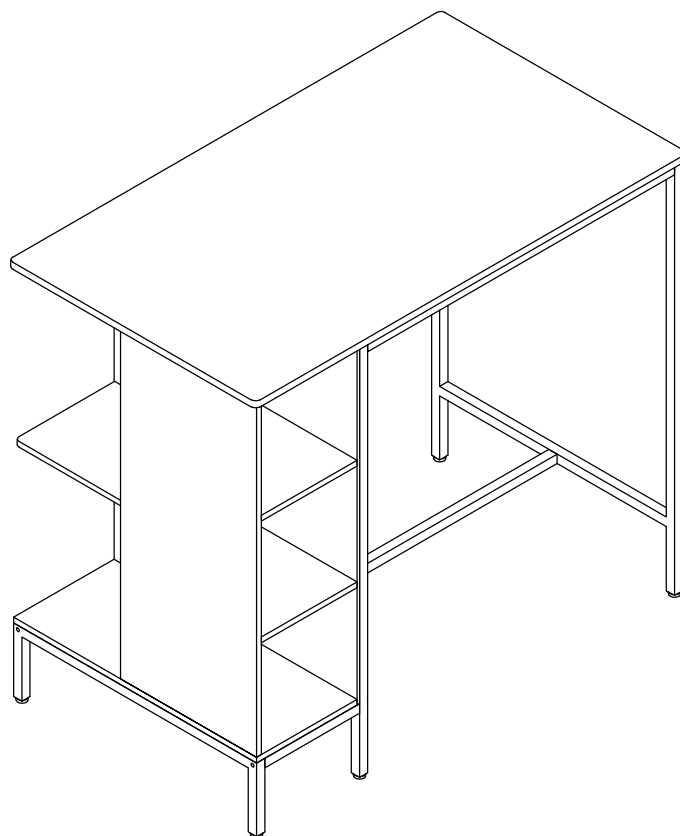
14



15

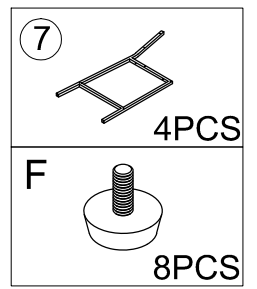
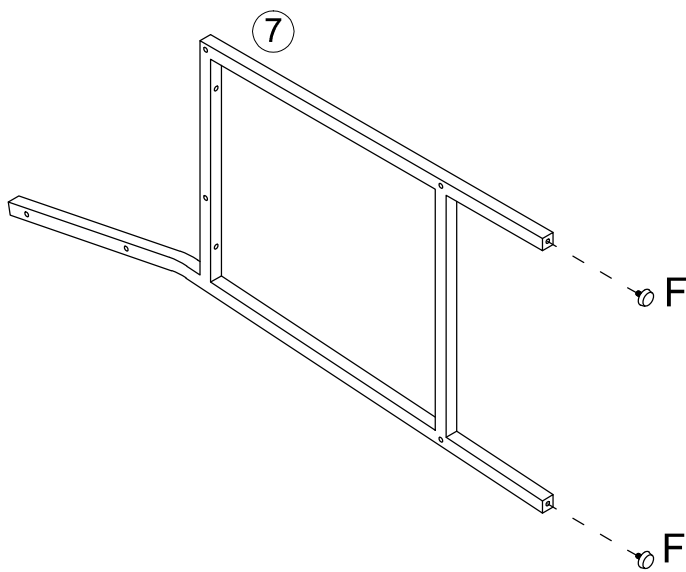


16



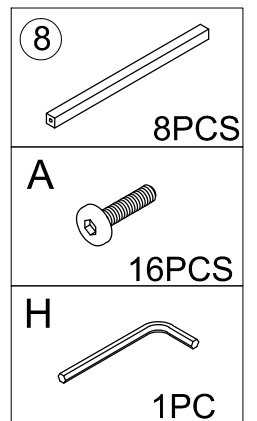
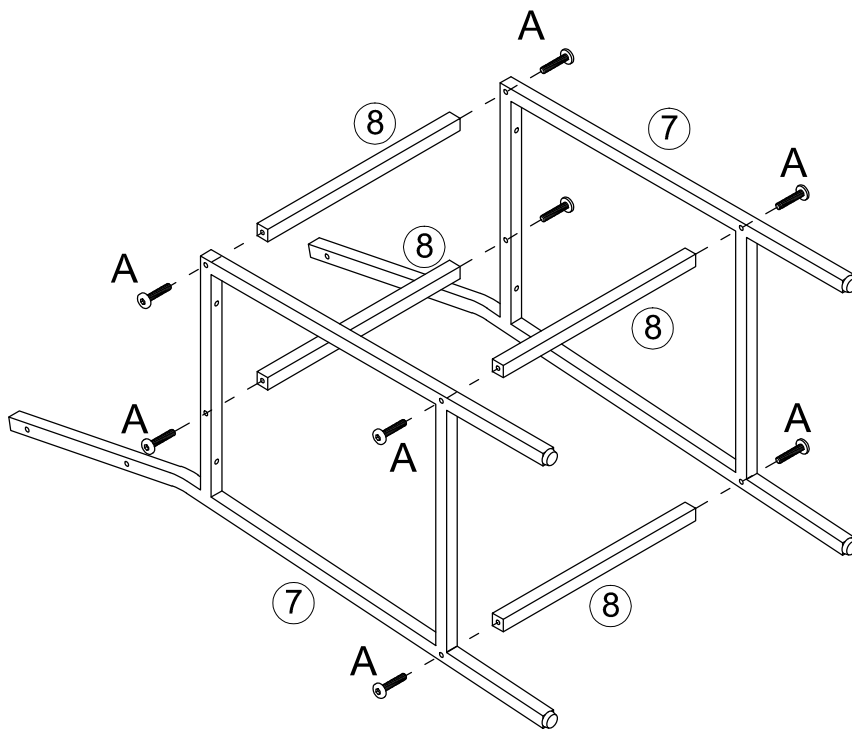
P12

17



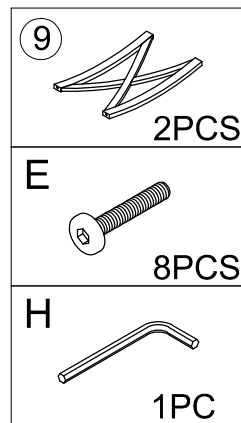
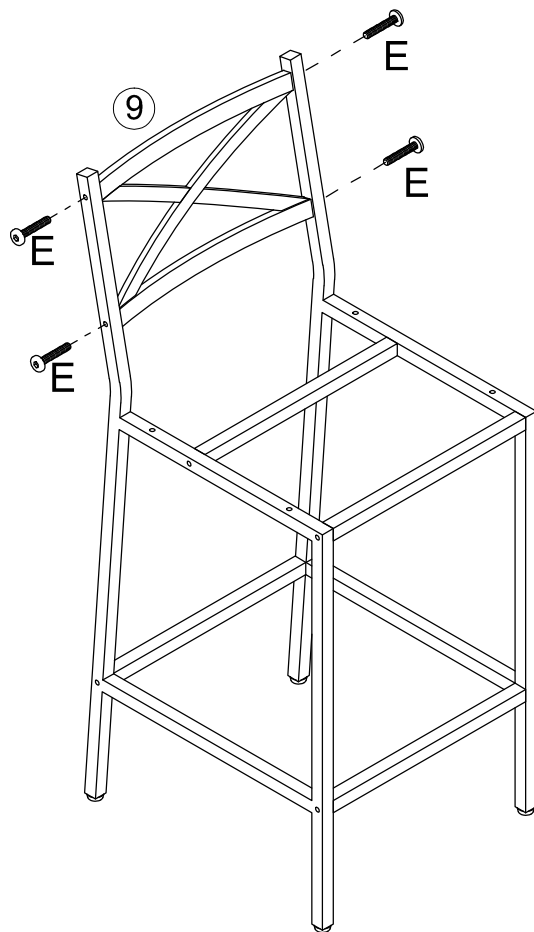
x 4

18



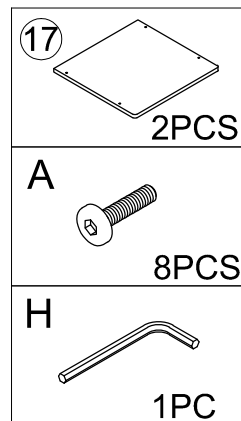
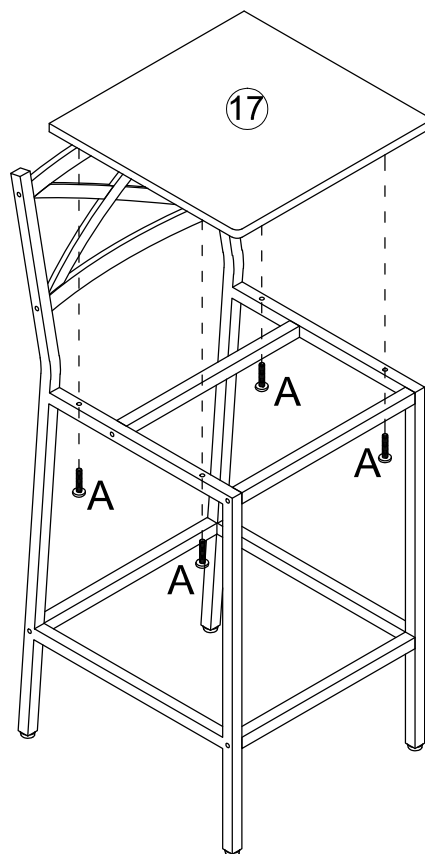
x 2

19



x 2

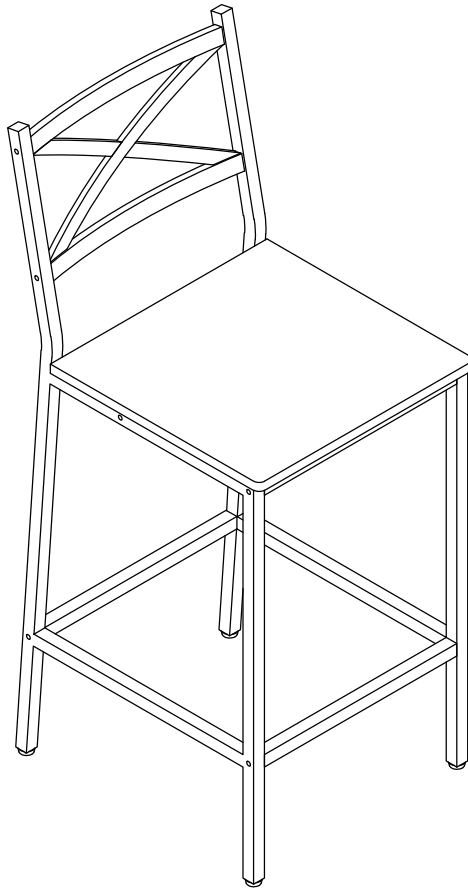
20



x 2

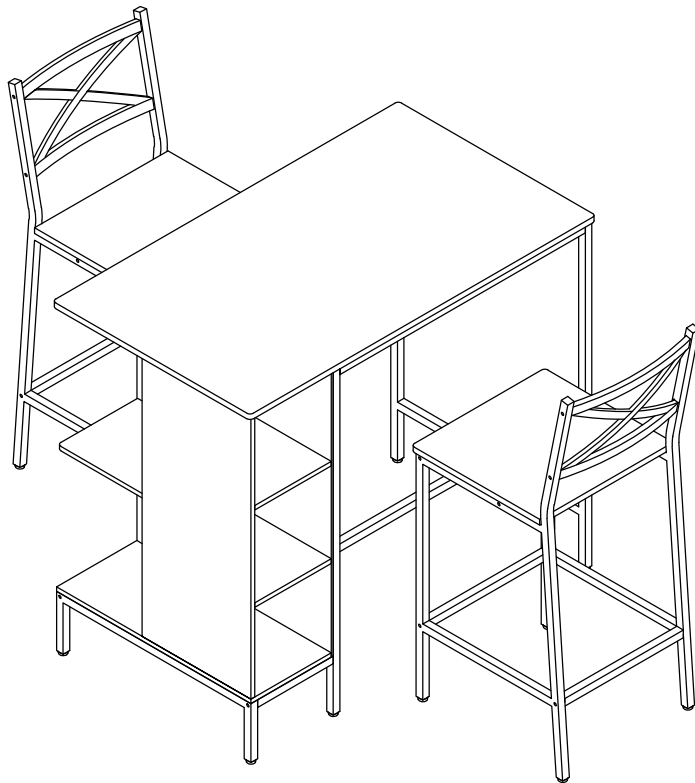
P14

21



x 2

22



P15