




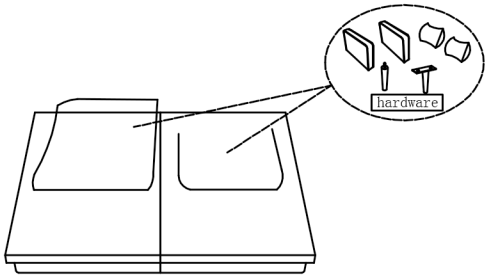


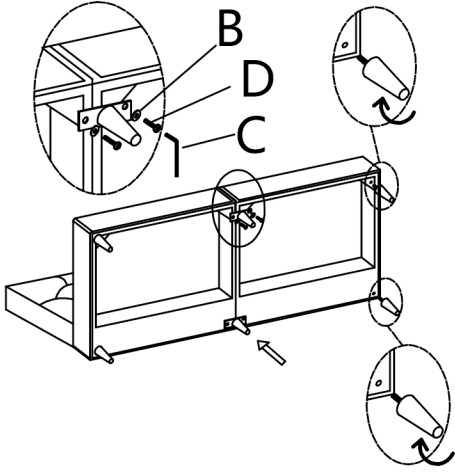
ASSEMBLY INSTRUCTION

| PARTS AN HARDWARE | | | A | M8x100 | 8PCS | | | |
|---|--|---|---------|--------|------|--|--|--|
|  Armrest x2  Body x2  PILLOW x2 |  Leg A x4  Leg B x2 | B | M8x19x2 | 12PCS | | | | |
| | | C | 5# | 1PC | | | | |
| | | D | M8x35 | 4PCS | | | | |
| | | E | M8 | 8PCS | | | | |
| | | F | | 1PC | | | | |

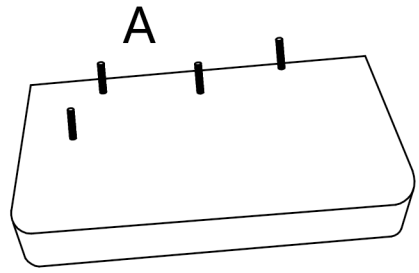
Step1:
Plsase take out the arms, pillows, legs and hardware from bottom of the sofa



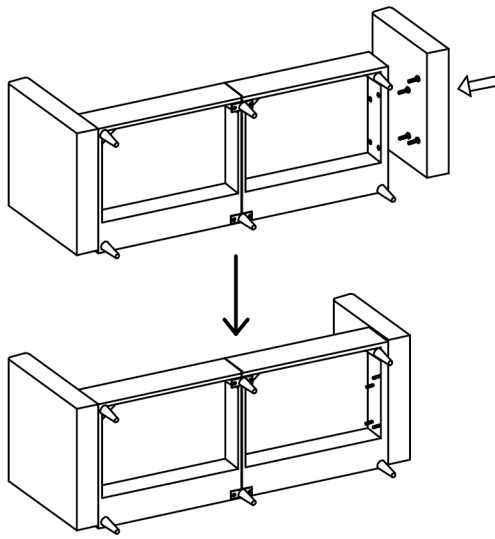
Step2:
Assemble the legs



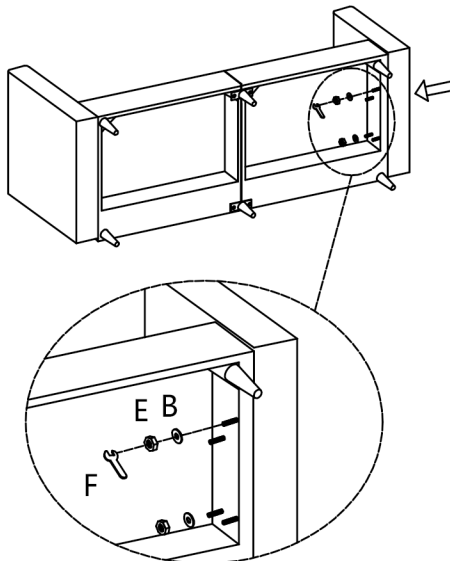
Step3:
Screw into arms about 1cm



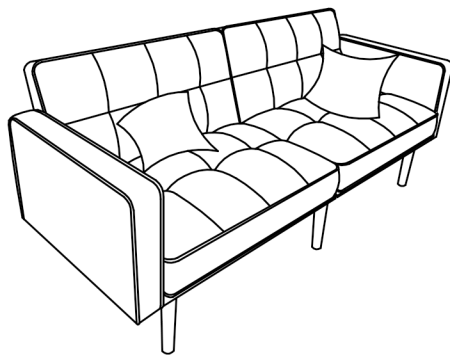
Step4:
Insert the arm with screws on into the side of seat frame



Step5:
Put the washers, then tighen the nuts with wrench from inside



Step6:
Assembly is finished



PAGE 1 OF 1