

# LED Chandelier

# CH99433

INSTALLATION SHEET

## START FROM HERE

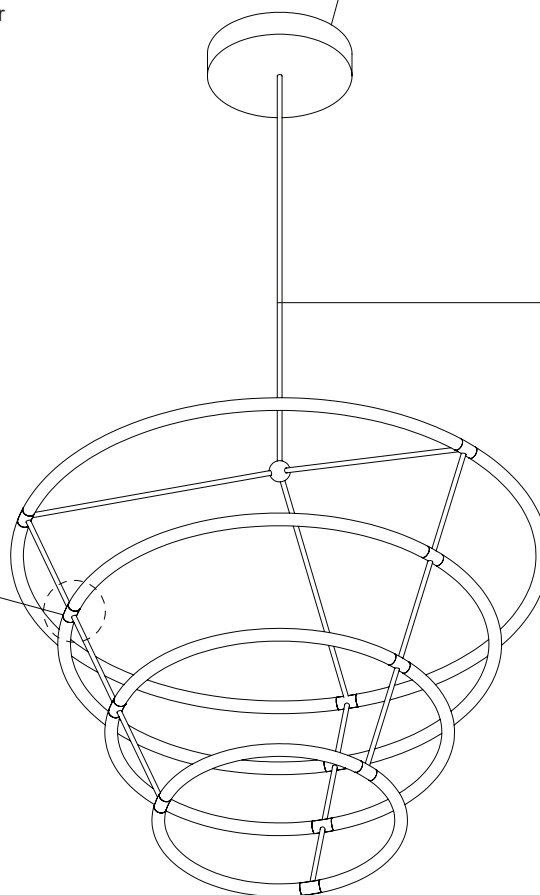
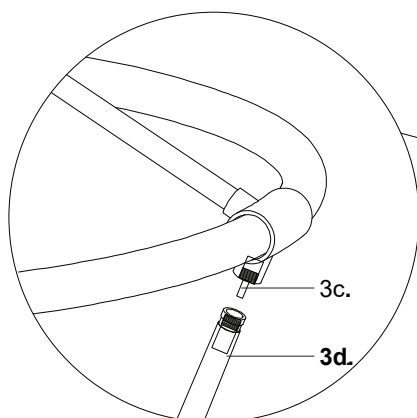
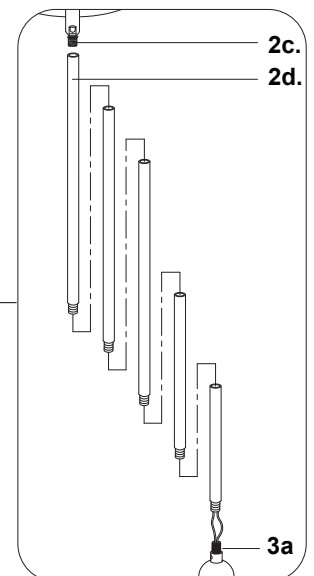
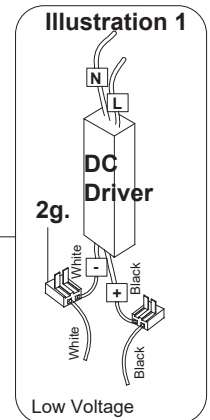
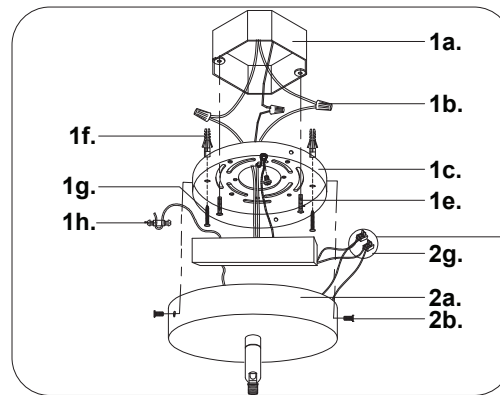
- Make sure **POWER** is **COMPLETELY OFF** at the fuse box
- Have your fixture installed by a qualified licensed electrician
- Prepare everything in a clear area
- Wear gloves at all times during this installation
- Read instructions carefully before you start assembly
- Keep this installation sheet for future reference

### Please Note:

- This Kuzco LED fixture comes with pre-wired LED module(s)
- Unless instructed, Do Not touch any part of the LED module(s) as any unnecessary contact with the module could cause permanent damage
- For dimming, an ELV (Electronic Low Voltage) or TRIAC type of dimmer is required

Technical Support: 1-855-855-8926

1. Remove fixture from its original package
2. Remove mounting plate (1c) from canopy (2a) by removing canopy screws (2b)
3. Attach mounting plate (1c) to electrical junction box (1a) using screws provided (1e) in hardware package
4. Secure mounting plate (1c) to mounting surface with anchors (1f) and screws (1g)
5. Connect ring rods (3d) to ring connector (3c) and secure by turning clockwise
6. Determine hanging height of fixture by securing rods (2d) to swivel (2c) and pendant body (3a)
7. Pull safety cable through rod, and secure with cable anchor (1h)
8. Make proper electrical connections (black to hot "L", white to neutral "N", ground to "GND") with wire nuts (1b)
9. Pull the wires into the canopy, connect the wires to the DC driver by using the wire connector (2g) provided. Black to black and white to white (See **Illustration 1** and refer to the diagram on the driver).
10. Attach canopy (2a) to mounting plate (1c) with canopy screws (2b)



# KUZCO

19054 28th Avenue Surrey, BC Canada V3Z 6M3  
T: 604 538 7162 TF: 1-855 85 KUZCO F: 604 538 7196  
W: kuzcolighting.com  
20201110