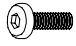





ASSEMBLY INSTRUCTIONS

015-917 Rockford Rectangular Drawer End Table

HARDWARE LIST 015-917

HARDWARE LIST 015-917				
A		Bolt	Ø1/4"*5/8"	40 PCS
B		Lock Washer	Ø1/4"	40 PCS
C		Flat Washer	Ø1/4"*19D	40 PCS
D		Allen Key	100*50*4mm	1 PCS

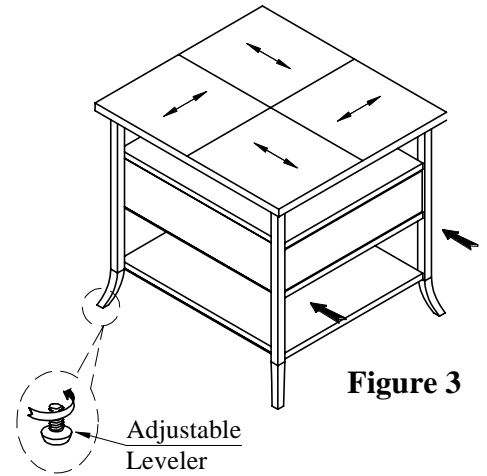


Figure 3

BEFORE YOU START:

1. Check the parts against the parts list to make sure all items are present.
2. Assemble your furniture on a soft, flat surface to avoid scratching the finish.
3. **CAUTION:** Do not over tighten screws, nuts or bolts during assembly.
4. Your furniture may require occasional tightening.

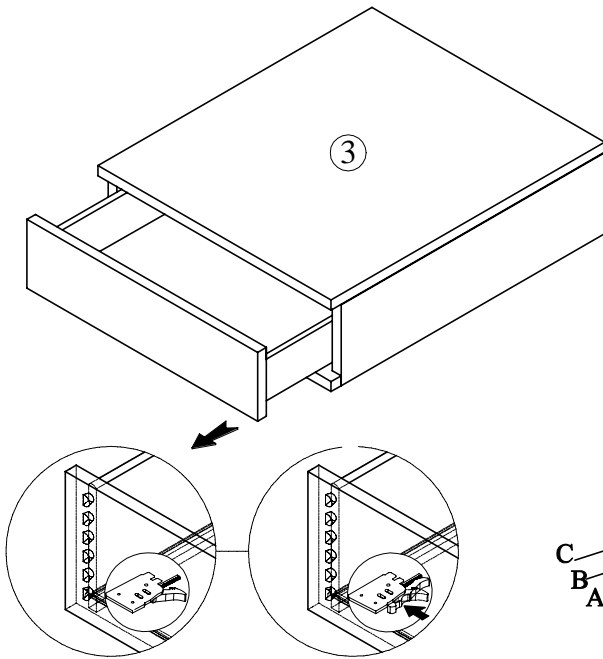


Figure 2

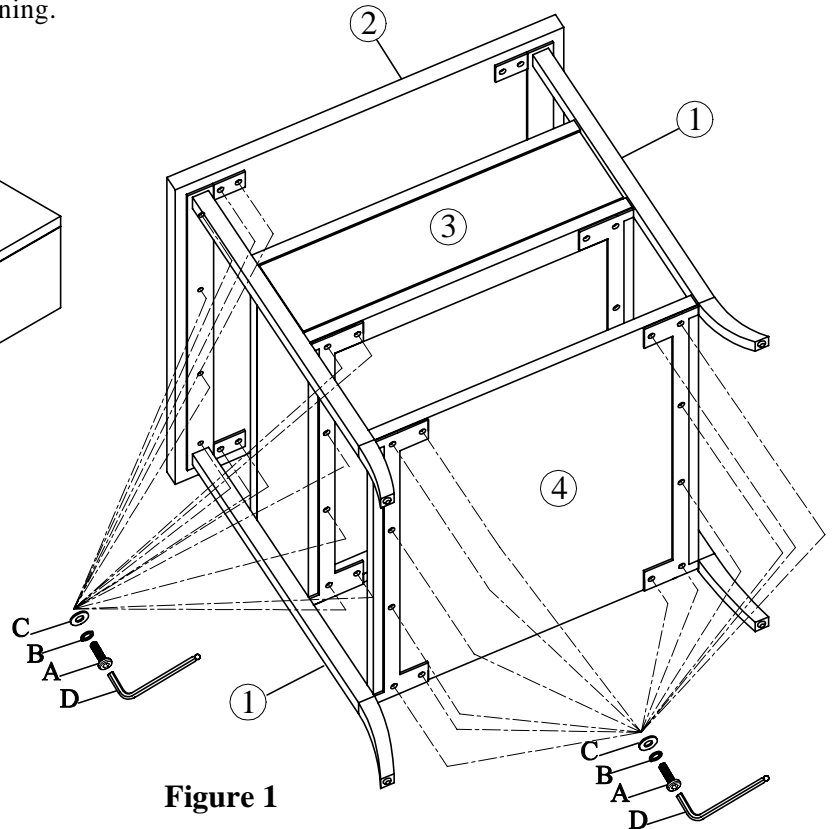


Figure 1

- STEP 1. Attach the top panel (2) to the metal frame (1) using bolt (A), lock washer (B), flat washer (C) and tighten with allen key (D). Important: Do not over-tighten. See Figure 1.
- STEP 2. Press the left side plastic under the drawer to the left and press the right side plastic under the drawer to the right together then pull out the drawer. See Figure 2.
- STEP 3. Attach the base (3) to the metal frame (1) using bolt (A), lock washer (B), flat washer (C) and tighten with allen key (D). Important: Do not over-tighten. See Figure 1.
- STEP 4. Attach the bottom panel (4) to the metal frame (1) using bolt (A), lock washer (B), flat washer (C) and tighten with allen key (D). See Figure 1.
- STEP 5. Return the drawer into the base. Adjust the levelers at the bottom of the feet till the table is even. See Figure 3.