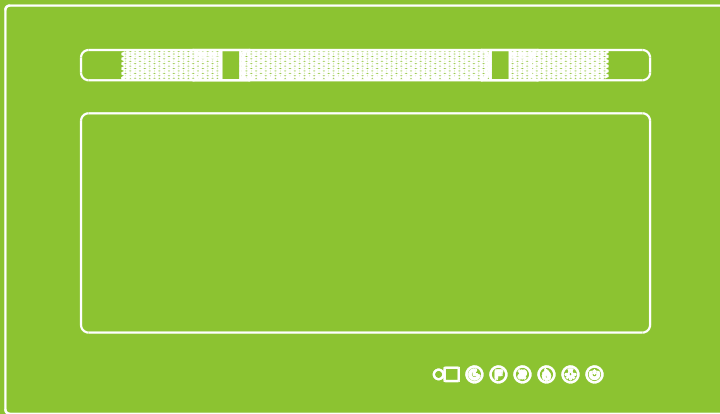


INSTRUCTION MANUAL

Electric Fireplace



Intertek

Indoor Furniture

We are a professional furniture provider with top-notch factories and outstanding designs, Our mission is to provide consumers with new lifestyles. By collecting consumer feedback, we constantly improve our products and create more choices for consumers.

If you want to create your space,

We are an ideal choice.

————— Always. —————



WARNING

READ THIS MANUAL BEFORE
INSTALLING AND
OPERATING THIS APPLIANCE



WARNING

FAILURE TO FOLLOW THESE
INSTRUCTIONS MAY RESULT
IN ELECTRIC SHOCK FIRE
PROPERTY OR PERSONAL INJURY

DO NOT STORE OR
USE GASOLINE OR
OTHER FLAMMABLE LIQUIDS IN
VICINITY OF THIS APPLIANCE

IMPORTANT SAFETY INFORMATION!

⚠ WARNING

1. Read all instructions before using this heater!
2. This heater is hot when in use. To avoid burns, DO NOT let bare skin touch hot surfaces. If provided, use handles when moving this heater. Keep combustible materials, such as furniture, pillows, bedding, papers, clothes, and curtains at least 3 feet (0.9m) from the front of the heater, and keep them away from the sides and rear.
1. Extreme caution is necessary when any heater is used by or near children or invalids and whenever the heater is left operating and unattended.
3. DO NOT operate any heater with a damaged cord or plug or after the heater malfunctions, has been dropped or damaged in any manner. Discard heater, or return to an authorized service facility for examination and /or repair.
4. DO NOT run power cord under carpeting.
5. DO NOT cover power cord with throw rugs, runners, or similar coverings.
6. DO NOT route power cord under furniture or appliances. Arrange power cord away from traffic area, and where it will not be tripped over.

⚠ WARNING

1. Connect to properly grounded outlets ONLY.
2. DO NOT insert or allow foreign objects to enter any ventilation or exhaust openings, as this may cause electric shock or fire, or damage the heater.
3. To prevent a possible fire, DO NOT block air intakes or exhaust in any manner. Doing so could cause a fire. DO NOT use on soft surfaces, like a bed, where openings may become blocked.
4. A heater has hot and arcing or sparking parts inside. DO NOT use it in areas where gasoline, paint, or flammable liquids are used or stored.
5. Use this heater only as described in this manual. Any other use not recommended by the manufacturer may cause fire, electric shock, or injury to persons.
6. ALWAYS plug heaters directly into a wall outlet/receptacle. Never use an extension cord or relocatable power tap (outlet/power strip).

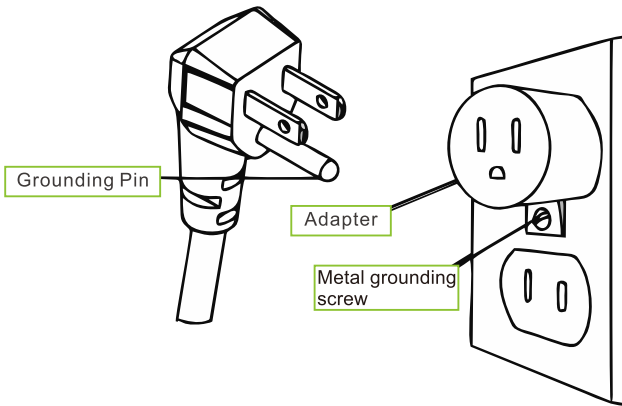
WARNING

7. **DO NOT** place the heater near a bed because objects such as pillows or blankets can fall off the bed and be ignited by the heater.
8. **NEVER** use this heater in bathrooms, laundry rooms, or any other location where the heater could fall into a bathtub or pool, become damp, or come in contact with water.
9. **AVOID FIRE!** Regularly inspect all air vents to make sure they are free from dust, lint, or other Blockage. Unplug the unit and clean with a vacuum **ONLY**. **DO NOT** rinse or get wet.
10. **ALWAYS** mount to wall bracket before use. **DO NOT** set on the floor, or other surface, to use.
11. **NEVER** use a wall mount bracket from another manufacturer.
12. This product is not intended to be a primary heat source. It is for supplemental heat only.
13. **INDOOR use only!** **NEVER** use this heater outdoors! Doing so may result in electric shock!
14. Risk of electric shock! **DO NOT OPEN!** No user-serviceable parts inside!
15. **ALWAYS** turn this heater off before unplugging it from the outlet.
16. **ALWAYS** disconnect this unit from the power supply before performing any assembly or cleaning, or before relocating the electric fireplace.
17. **NEVER** leave this heater unattended. **ALWAYS** unplug this heater when not in use.
18. **ALWAYS** store this heater in a dry location. **NEVER** use the fireplace if it has become wet.
19. **NEVER** plug this heater into an outlet that is old, cracked, or has any loose wires or connections. Plugging this heater into a faulty outlet could result in electric arcing within the outlet that could cause the outlet to overheat or catch fire.
20. **ALWAYS** check your heater cord and plug connections with each use!
 - i) **MAKE SURE** the plug fits tightly in the outlet! Faulty wall outlet connections or loose plugs can cause the outlet to overheat.
 - ii) Heaters draw more current than small appliances. Overheating may occur even if it has not occurred with the use of other appliances.
 - iii) During use check frequently to see if the plug outlet or faceplate is **HOT!**
 - iv) If the outlet or faceplate is **HOT**, discontinue use immediately and have a qualified electrician inspect and/or replace the faulty outlets.

! WARNING

1. The power cord supplied with the heater has a plug with two flat blades (live and neutral) and one round pin (ground). If a 3-slot receptacle is not available, an adapter MUST be used. The adapter MUST be properly grounded to the outlet box (see figure at right).
(Note: Adapter NOT INCLUDED.)

2. SAVE THESE INSTRUCTIONS!



PREPARATION



This product includes a GLASS panel! Always use extreme caution when handling glass. Failure to do so could result in personal injury or property damage.

Remove all parts and hardware from the carton and place them on a clean, soft, dry surface. Parts and assembly steps are grounded for wall-hanging or recessing use. Check the parts list to make sure nothing is missing. Dispose of packaging materials properly. Please recycle whenever possible. You will need the following tools (not included): Phillips screwdriver; stud finder; level; tape measure; electric drill; 1/4" wood drill bit, hammer.

TOOLS REQUIRED



PHILLIPS
SCREWDRIVER



DRILL &
NO.6 DRILL BIT



PENCIL
& RULER



2 AAA BATTERIES



LEVELER



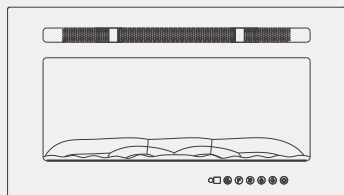
2Persons Assembly



Minimum 30 Minutes For Assembly

PARTS & HARDWARE

A 1PC



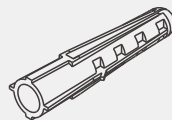
Fireplace

B 9PCS



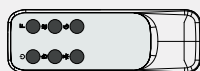
Wood Screws

C 9PCS



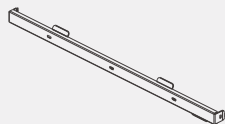
Drywall Anchors

D 1PC



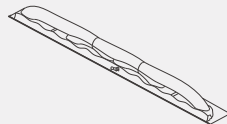
Remote Control

E 1PC



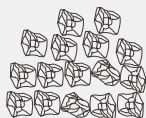
Fixed on back of firebox
Wall Bracket

F 1PC



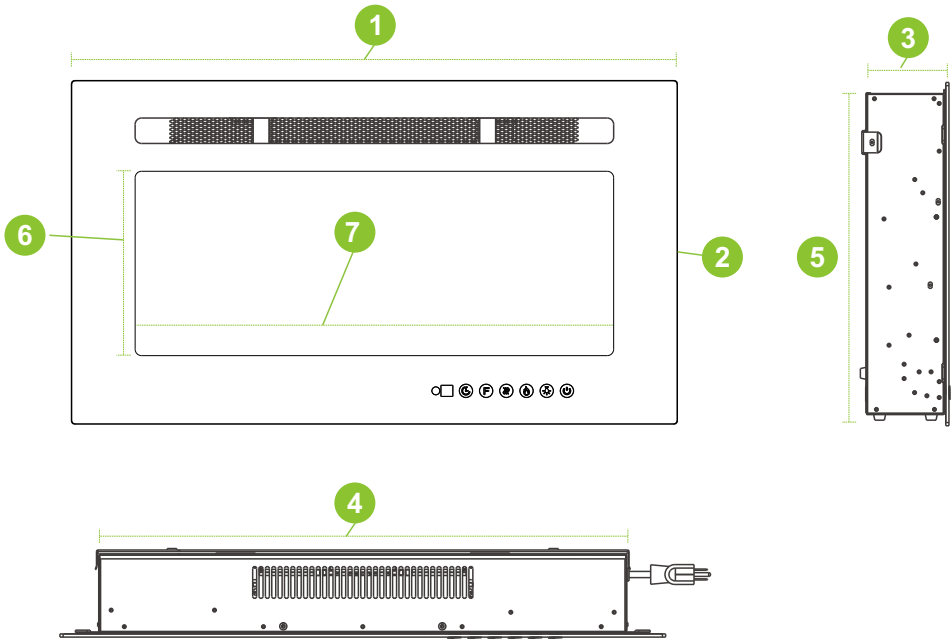
Log Set

G 1BAG



Decorative Crystals

SPECIFICATION AND DIMENSION



Model Number	1	2	3	4	5	6	7
IF-1350TCL	50" 127.0cm	17.0" 43.2cm	4.13" 10.5cm	46.2" 117.3cm	16.2" 41.2cm	9.1" 23.2cm	43.7" 111.0cm
IF-1360TCL	60" 152.4cm	17.0" 43.2cm	4.13" 10.5cm	56.2" 142.7cm	16.2" 41.2cm	9.1" 23.2cm	53.7" 136.4cm

PRODUCT ASSEMBLY

Your appliance is a wall-mounted, recessed, and /or mantel-installed appliance. Select a suitable location that is not susceptible to moisture and is away from drapes, furniture, and high-traffic areas.

NOTE: Follow all National and local electrical codes.

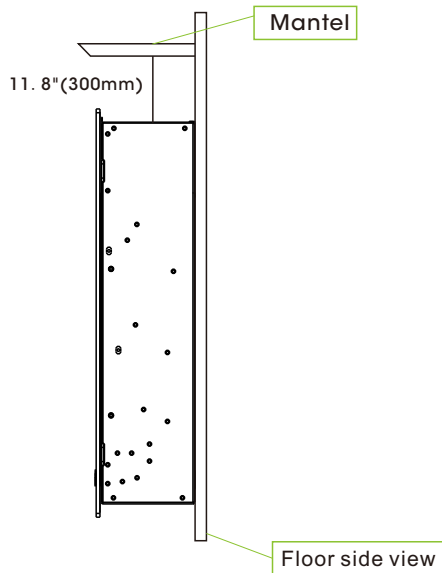
MINIMUM CLEARANCE TO COMBUSTIBLES

Measurements are taken from the glass front.			
Bottom	0"	Top	11.8" (300mm) to mantel
Sides	0"	Top	11.8" (300mm) to ceiling
Back	0"		

MINIMUM MANTEL CLEARANCES

WARNING

WHEN USING PAINT OR LACQUER TO FINISH THE MANTEL, THE PAINT OR LACQUER MUST BE HEAT RESISTANT TO PREVENT DISCOLOURATION.



PRODUCT ASSEMBLY

RECESSED TO WALL INSTALLATION

- 1 Selection of a dry wall to open a hole for the fireplace box. Figure (A)

Figure (B) Hole cut size of IF-1350TCL

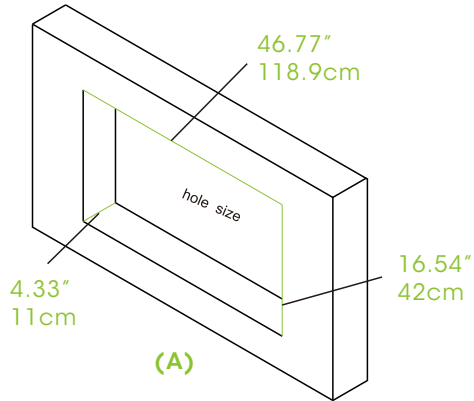
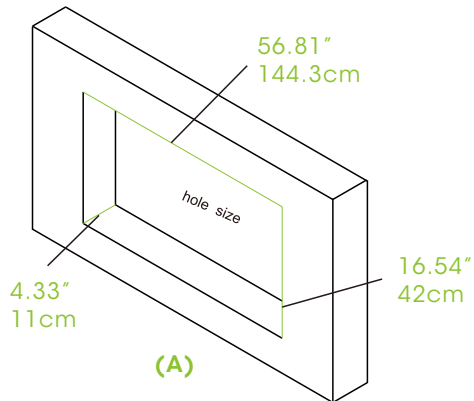


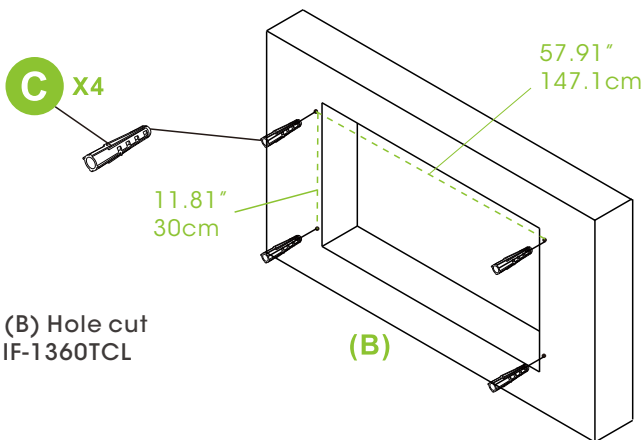
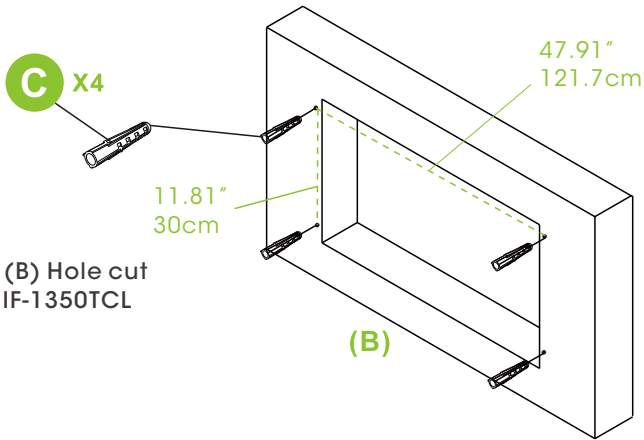
Figure (B) Hole cut size of IF-1360TCL



PRODUCT ASSEMBLY

RECESSED TO WALL INSTALLATION

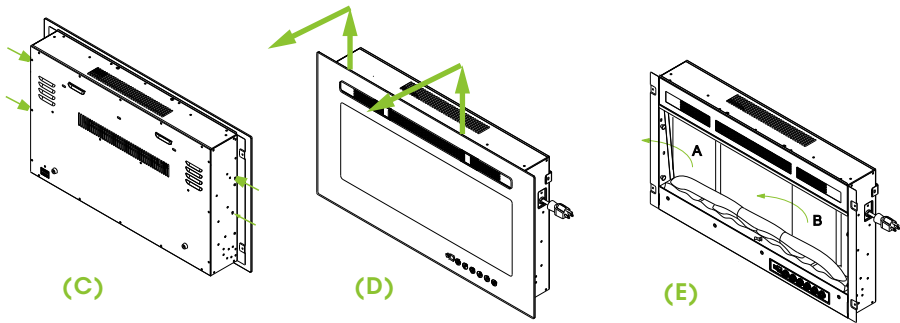
- 2** Fix the four wall anchors on each side of the fireplace box according to the dimensions shown on the drawing. Figure (B)



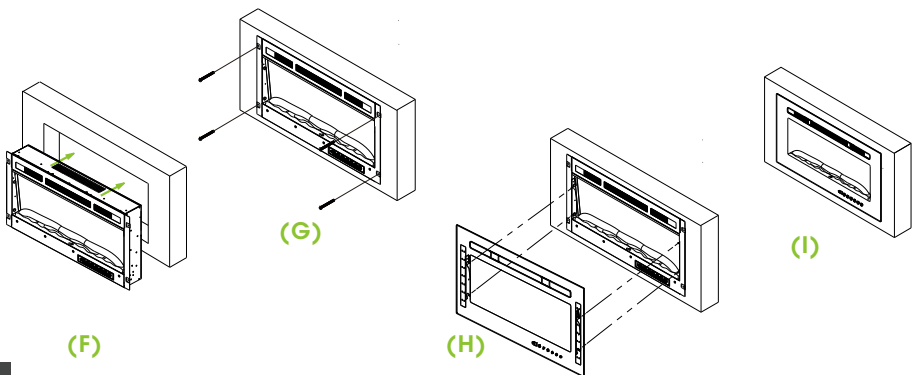
PRODUCT ASSEMBLY

3 Take off the two screws in both sides of fireplace. Figure (C)

4 Have two-person take the glass panel out of the fireplace box. Place it in a soft and clean place. Figure (D), take two pieces of foam out of the fireplace. Figure (E)



5 Have two-person move the fireplace box to the wall hole or fireplace mantel Figure (F). If the appliance is fully recessed into the wall: 1. Use the 4 screws (provided) to lock the appliance into the wall with the existing two side flanges, see Figure (G) 2. Install the media and re-install the glass front with the existing two side flanges, see Figure (G) 2. Install the media and re-install the glass front.



6 Place the front panel lock the appliance. See Figure (H)

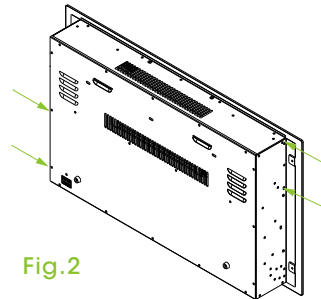
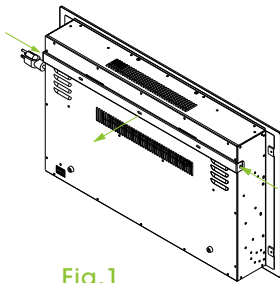
7 The fireplace will be like this after installation. Figure (I)

PRODUCT ASSEMBLY

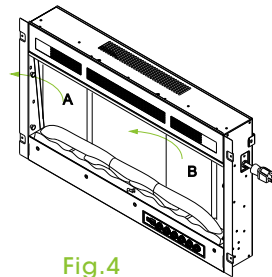
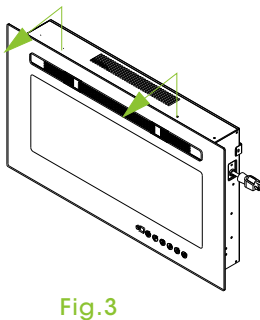
Wall Mounted Installation

Due to the many different materials used on different walls, it is highly recommended that you consult your local builder before you install this appliance on the wall.

- A** Select a location that is not prone to moisture and is located at least 36" (914mm) away from combustible materials such as curtain drapes, furniture, bedding, paper, etc.
- B** Have two people hold the appliance against the wall to determine the final location.
- C** Place unit faces down on a soft, non-abrasive surface. Remove the bracket from the back of the unit by removing the screws, refer to Figure 1. Remove four pcs of silver screws at both sides, refer to Figure 2.

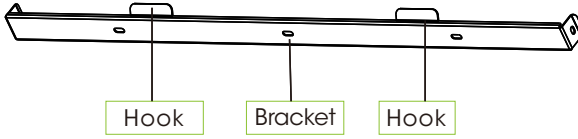


- D** Take glass off carefully, then take two pcs of foam out of the fireplace.



- E** Mark out location, then mount the bracket(s) onto the wall using the supplied screws. This bracket **MUST** have the hooks facing upward and be level.

PRODUCT ASSEMBLY



NOTE: It is Strongly Recommended that the mounting bracket(d) be screwed into the wall studs where possible. If the wall studs cannot be used, ensure that the supplied plastic anchors are used to affix the bracket to the wall and the bracket are adequately secured

- F** With the wall mounting bracket installed have two people lift the appliance up and insert the two hooks on the bracket into the two slots on the back of the appliance. Use original 4x8mm screws to fasten the wall bracket.
- G** Check the appliance for stability ensuring that the bracket will not pull free from the wall.
- H** Place the front panel lock the appliance, refer to Figure 7.

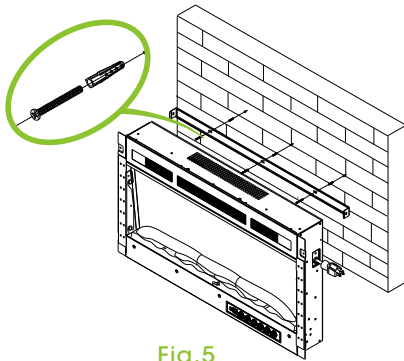


Fig.5

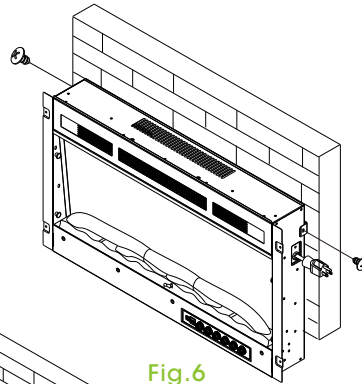


Fig.6

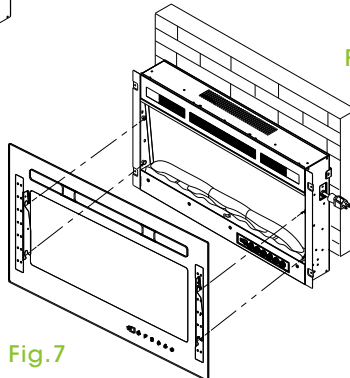


Fig.7

PRODUCT ASSEMBLY

Log set/Crystal Ember Installation

Note Please make the installation according to the embers which you bought or selected .

- A** The glass front must be removed and the appliance must be mounted in its final location before the log set / crystal embers are installed.
- B** If your fireplace comes with a log set , remove the log set from the package , put it in the fireplace-designed place Figure 1 .
- C** If your fireplace comes with CLEAN CRYSTAL MEDIA : crystal may have a fine oil residue that needs to be cleaned prior to installation . Clean them with mild dish soap, drain , rinse thoroughly , and dry them before placing them into the tray.
- D** Then carefully place crystal embers into the bottom tray on the front of the appliance as illustrated . Apply an even layer from side to side . Figure 2

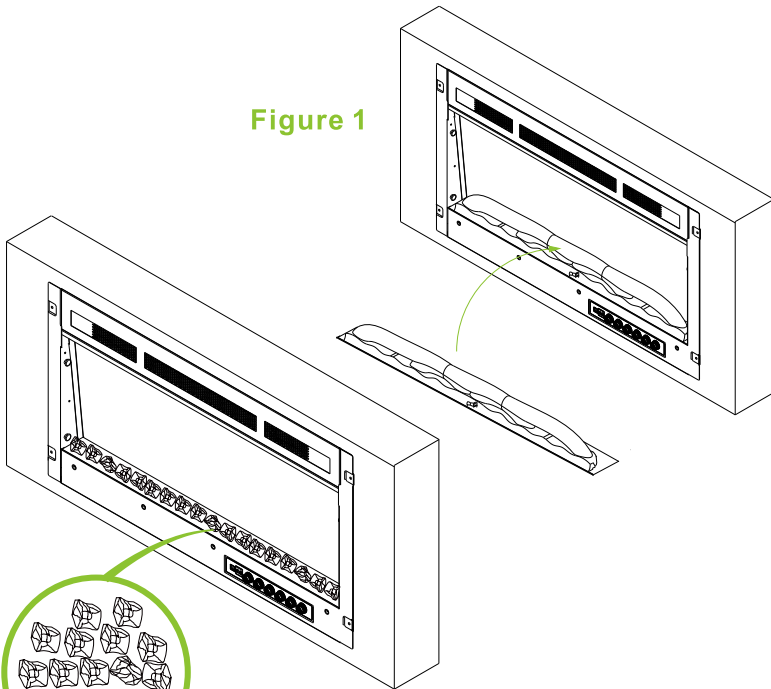


Figure 2.(Crystal medias)

! WARNING



Read and understand this entire owner's manual , including all safety information , before plugging in or using this product . Failure to do so could result in electric shock , fire , serious injury , or death .

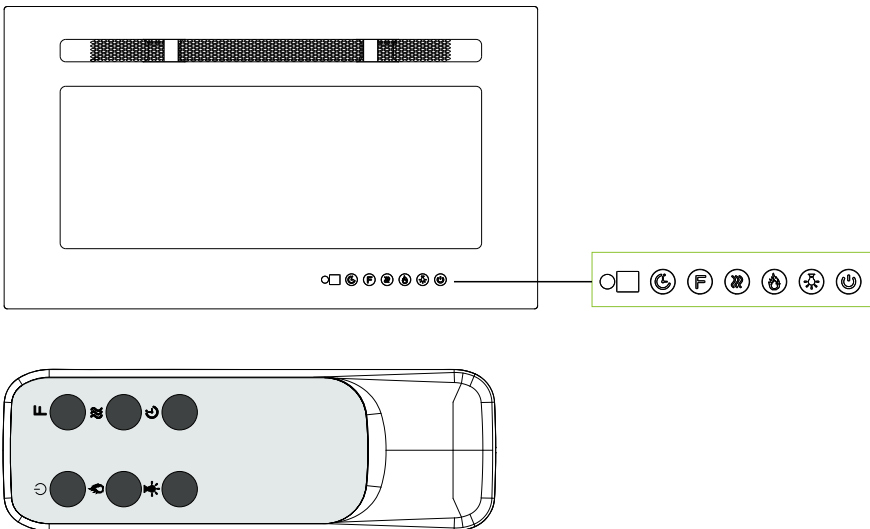
Power

Plug the power cord into a 110-120V Volt 12 Amp grounded outlet (see IMPORTANT SAFETY INFORMATION on Pages 2 and 3) . Make sure the outlet is in good condition and that the plug is not loose . NEVER exceed the maximum amperage for the circuit. DO NOT plug other appliances into the same circuit







Methods of Operation

This electric fireplace can be operated by the TOUCH PANEL , located on the BOTTOM right side glass panel of the fireplace , or by the battery-powered REMOTE CONTROL. The operation and functions of the two methods are the same .

Before operating , please review the IMPORTANT SAFETY INFORMATION on Pages 3- page 8 , and heed all warnings .



Touch panel / Remote control Operation

BUTTON	FUNCTION	ACTION & INDICATION
 <p>POWER</p>	<p>ON : Enables control panel functions and remote control . Turn on flame effect. OFF : Disabled control panel functions and remote control . Turn off flame effect.</p>	<ol style="list-style-type: none"> 1 . Press once . The indicator light turns on . Power turns on . All functions enabled 2 . Press again . The indicator light turns off . Power turns on . All functions will off
 <p>COLOR</p>	<p>COLOR button: make the bottom light color change</p>	<ol style="list-style-type: none"> 1 . Press once . The bottom light color gets changing . 2 . Press again Until the desired setting is reached.
 <p>FLAME</p>	<p>FLAME button : Makes the flame color change</p>	<ol style="list-style-type: none"> 1 . Press once . The Flame effect gets changing 2 . Press again . Until the desired setting is reached
 <p>HEATER</p>	<p>HEATER button : Turn the heater on and off. NOTE : To prevent overheating , the heater fan will blow out cool air for 30 seconds after the heater turns off</p>	<ol style="list-style-type: none"> 1 . Press once Indicator lights up . 750W heater turns on and blows warm air 2 . Press again . Indicator lights up . 1500W heaters turn on and blow hot air. 3 . Press again . Heaters turn off . The display shows '00'. The fan blows cool air for 30 seconds to allow the heater to cool down then turns off.
 <p>TEMP</p>	<p>TEMPERATURE button : Control temperature settings to choose temperature as desired . Setting range from 62F to 82F .</p>	<ol style="list-style-type: none"> 1 . Press once Indicator light turn on . Temperature is set to 62F 2 . Press again . Until the desired setting is reached . LED display show setting.
 <p>TIMER</p>	<p>TIMER button : Control timer settings to turn off the fireplace at the selected time . Settings range from 0 hours , 1 hour , to 8 hours</p>	<ol style="list-style-type: none"> 1 . Press once Indicator light turn on . Temperature is set to hours. 2 . Press again Until the desired setting is reached LED display show setting.

NOTICE

When the heater is first turned on , a slight odor may be present .This is normal and should not occur again unless the heater is not used for a long period of time.

NOTICE

To improve operation , aim the remote control at the front of the fireplace .DO NOT press the buttons too quickly .Give the unit time to respond to each command.

Temperature Limiting Control

This heater is equipped with a Temperature Limiting Control . Should the heater reach an unsafe temperature , the heater will automatically turn OFF . To reset.

1

Unplug the power cord from the outlet .

2

Turn the ON / OFF switch on the CONTROL PANEL to OFF. Wait 5 minutes.

3

Inspect the fireplace to make sure no vents are blocked , or clogged with dust or lint . If they are , use a vacuum to clean the vent areas.

4

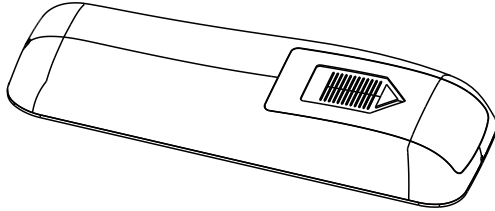
With the POWER switch in the OFF position , plug the power cord back into the outlet .

5

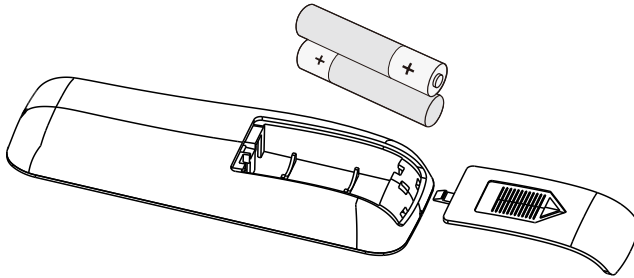
If the problem continues , have your outlet and wiring inspected by a professional.

Remote Control Battery Information

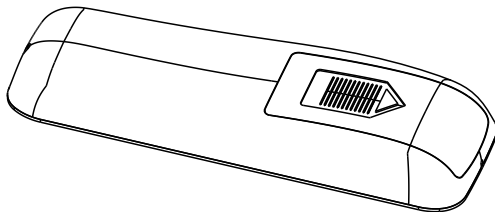
With 2x AAA batteries



1 Remove back cap



2 Take back cap out off remote , insert 2x AAA batteries



3 Fasten the back cap again

NOTE : Remote control battery used depends on the remote control type selected above



NEVER dispose of batteries in the fire . Failure to observe this precaution may result in an explosion . Dispose of batteries at your local hazardous material processing center .

CARE AND MAINTENANCE

Cleaning



1. ALWAYS turn the heater OFF and unplug the power cord from the outlet before cleaning , performing maintenance , or moving this fireplace. Failure to do so could result in electric shock , fire , or personal injury.
2. NEVER immerse in water or spray with water . Doing so could result in electric shock , fire , or personal injury.

Metal

- 1 . Buff using a soft cloth , slightly dampened with a citrus oil-based product
- 2 . DO NOT use brass polish or household cleaners as these products will damage the metal trim.

Glass

- 1 . Use a good quality glass cleaner and dry thoroughly with a paper towel or lint-free cloth.
- 2 . NEVER use abrasive cleansers , liquid sprays , or any cleaner that could scratch the surface.

Vents

- 1 . Use a vacuum or duster to remove dust and dirt from the heater and vent areas.
- 2 . Clean the exterior of the fireplace with a slightly damp cloth or duster.

Maintenance



- 1 . Risk of electric shock! DO NOT OPEN! No user-serviceable parts inside!
- 2 . ALWAYS turn the heater OFF and unplug the power cord from the outlet before cleaning, performing maintenance, or moving this fireplace. Failure to do so could result in electric shock, fire, or personal injury.

Electrical and Moving Parts:

- 1 . The fan motors are lubricated at the factory and will not require lubrication.
- 2 . Electrical components are integrated in the fireplace and are not serviceable by the consumer.

Storage:

- 1 . Store heater in a clean dry place when not in use.



WARNING! No other servicing should be performed by the consumer. Do not attempt to service the unit yourself.



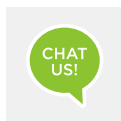
WARNING

DISCONNECTED THE APPLIANCE COMPLETELY AND LET IT COOL PRIOR TO ANY SERVICE . ONLY A QUALIFIED SERVICE PERSONNEL SHOULD SERVICE AND REPAIR THIS ELECTRIC APPLIANCE.

Problem	Possible Cause	Solution
1. Fireplace turns off and will not turn on.	1. Fireplace has overheated and safety device has caused thermal switch to disconnect or home circuit breaker has opened.	1. Reset switch by turning main power off and waiting to turn it back on or breaker circuit breaker.
2.Flame is not moving.	1. Loose wiring. 2. Flame motor defective. 3. Flame rod out of place	1. Inspect wiring for loose connections. 2. Call a qualified service technician to replace the flame motor. 3. "Flame Rod" out of place due to rough transit/handling of the product.This issue can be corrected as simple as removing the glass, flipping the fireplace upside and down, removing a set of screws that are holding the bottom frame plate, and placing the flame rod back into place.
4. Log set is not glowing.	1. Wiring is loose. 2. Ember is off mode.	1. Disconnect from the power source and inspect the wiring for loose connections and repair or replace if necessary.
5. Remote control does not work.	1. Low batteries. 2. Not aiming control correctly. 3. Defective remote control and /or sensor.	1. Replace the batteries of the remote control. 2. Aim control at the sensor located directly behind the glass screen in the center of the unit just above logs. 3. Replace remote control and/or sensor.

HELP CENTER

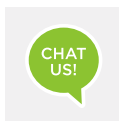
Question about your product? We're here to help. Visit us at:



Chat Support



Product Inquiry



Orders FAQ



Product Assembly



Returns & Refunds

We Stand Behind the Quality of Their Furniture

If you have any issues with your item please let us know! We will always do our best to come up with a solution that you will be happy with.

Please get in touch with our customer service team before returning the product.

And pls do not throw the original box(es) if you have not finished assembling or confirmed no quality issues.

Length of return period:

Items can be returned within 30 days of purchase.

In the meanwhile, everything you purchased from us comes with a one-year warranty.

Who is responsible for the return shipping fee:

We will cover the return shipping fees if:

1. Your item has a manufacturing defect in its materials or workmanship. For example, torn wicker or misaligned screw holes. We will send you a prepaid shipping label after photos are sent.
2. Your item has been damaged in transit. For example, glass is broken or wicker is damaged. We will send you a prepaid shipping label after photos are sent.
3. You receive the wrong box(es) due to a warehouse error. We will send you a prepaid shipping label after photos are sent of the wrong SKU numbers on the outer box(es).
4. One or more boxes are lost in transit. We will send you a prepaid shipping label if you no longer want the item.

*However, we still hope to work with you for a better solution instead of a return. Please don't hesitate to contact our customer service team.

Customer will cover the return shipping fees if:

1. You don't like the product(s) after receiving the box(es).
2. You no longer need the product(s) but you have received the box(es).
3. You buy the product(s) by mistake but you have received the box(es).
4. Order/Shipment cancellation failed and you have received the box(es).

Return Request

In order to get a full refund as described in this return policy, all items must be: (1) In a brand new/unused condition, please provide photos before and after packaging. (2) When returning, all accessories and parts are firmly packed in all original packaging. If your return does not meet the requirements, you may not get a full refund.

When will I be refunded?

The refund is released once the goods have been returned to our warehouse.

What if the product is damaged/defective outside of the valid return period?

We want you to be a happy customer. Please reach out to us by email and we will come up with a solution to make sure you are satisfied.