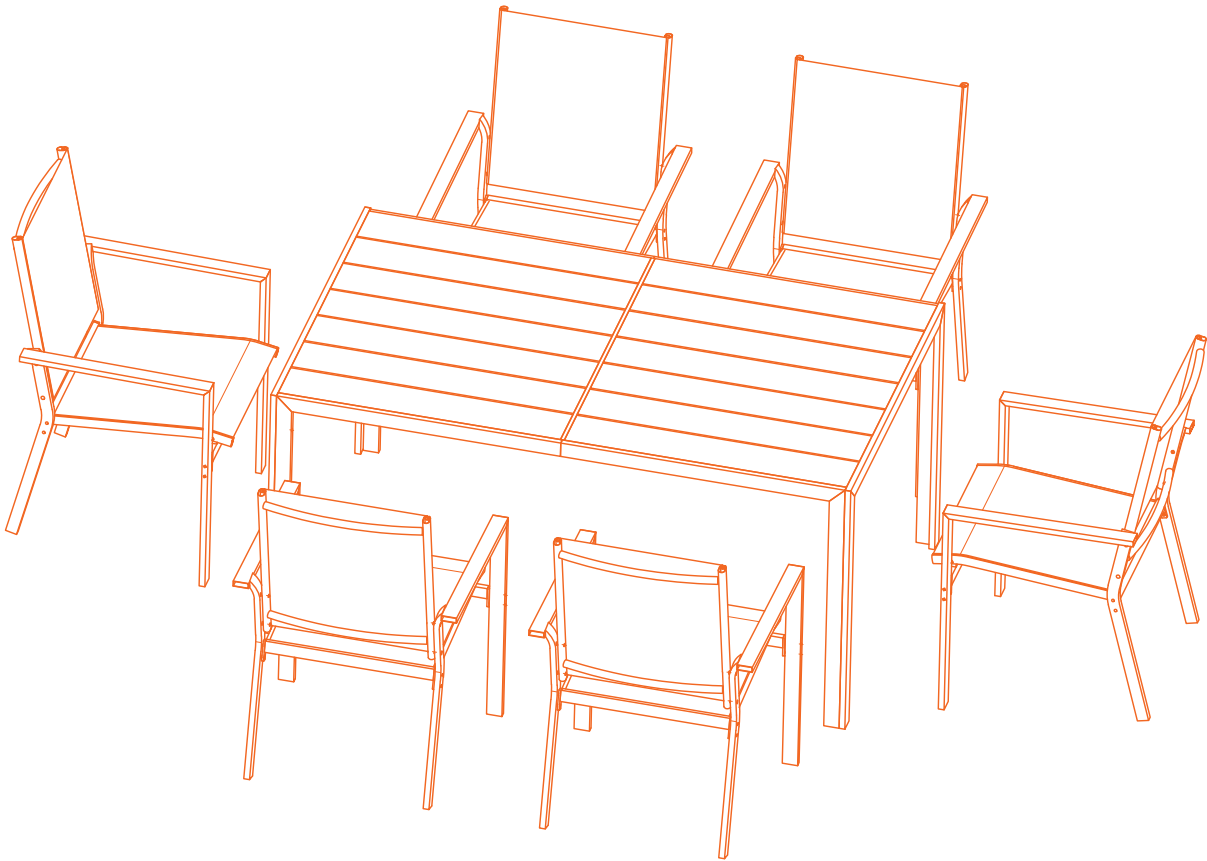


Patio Dining Set

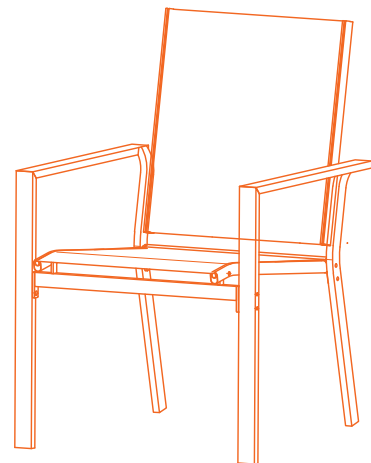
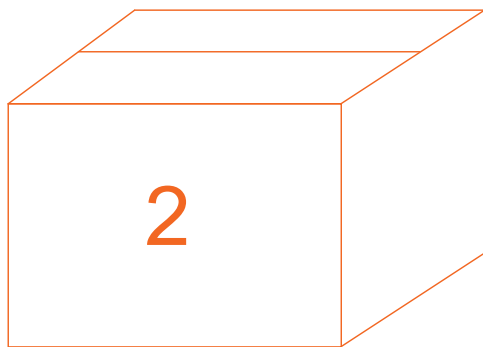
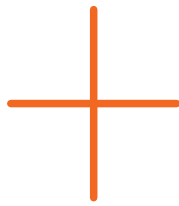
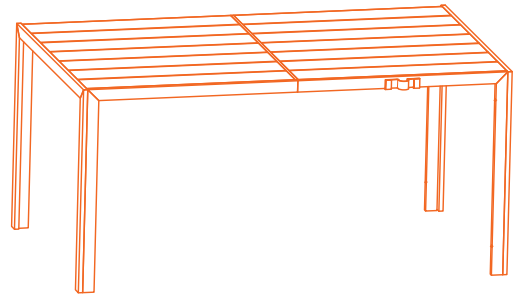
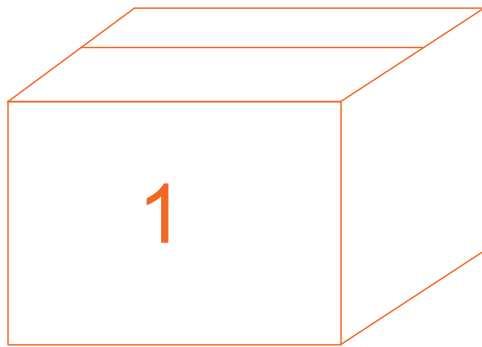


X 6



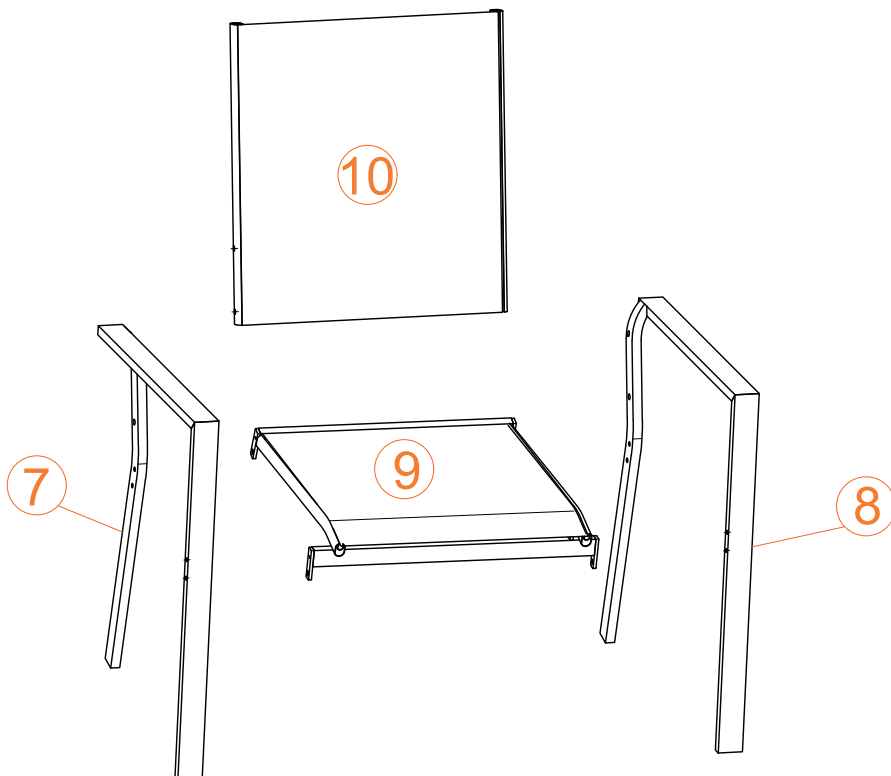
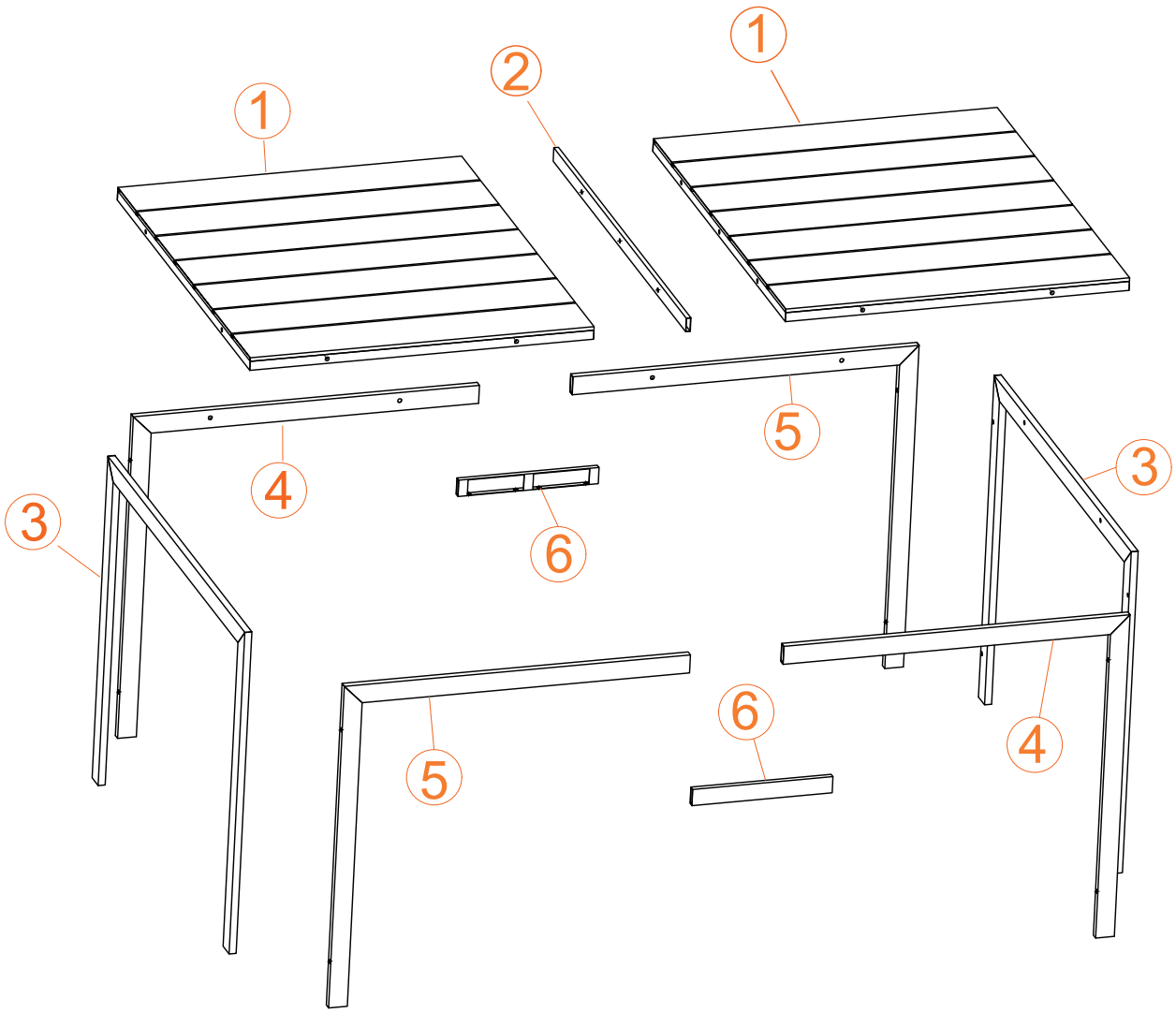
* Upon receiving your email, we'll respond within **48** working hours.

WHAT DO YOU GET ?

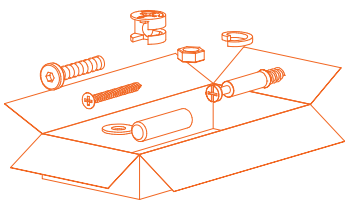


x 6

ATTENTION: THESE 2 BOXES MAY ARRIVE AT DIFFERENT TIMES,
PLEASE WAIT PATIENTLY.



x 6



A x 1+1



M6

B x 1+1



Wrench(M6-M8)

C x 8+1



Screw with washer
M6*15 mm

D x 12+1



Screw with washer
M6*25 mm

E x 48+3



Screw with washer
M6*30 mm

F x 35+3



Screw with washer
M6*50 mm

G x 27+2

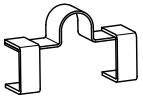


M6

H x 2

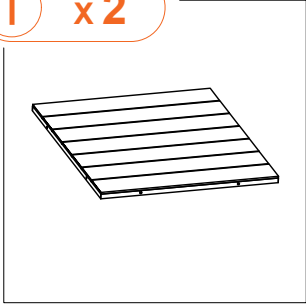


I x 1

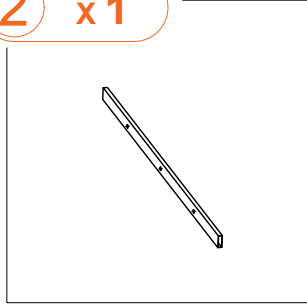




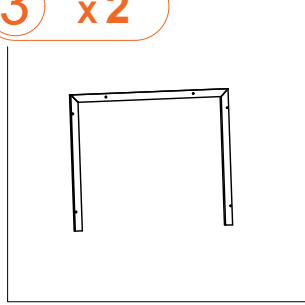
① x2



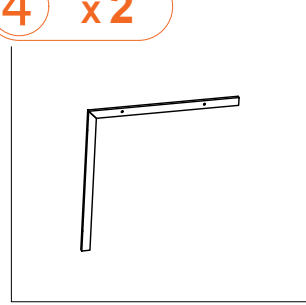
② x1



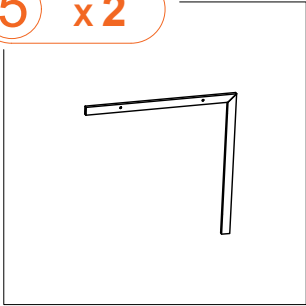
③ x2



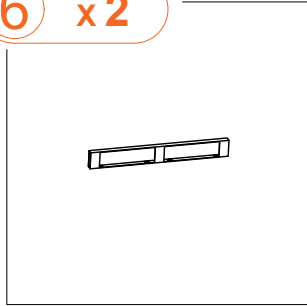
④ x2



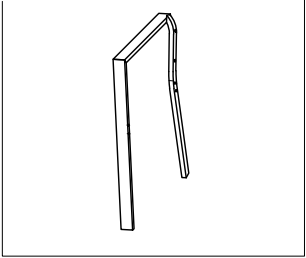
⑤ x2



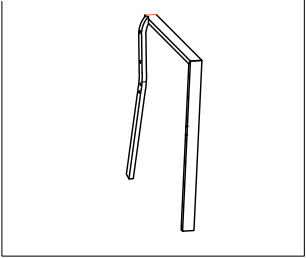
⑥ x2



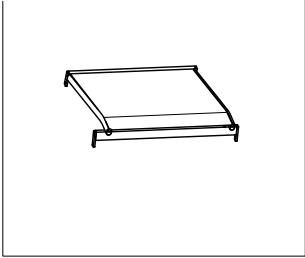
⑦ x6



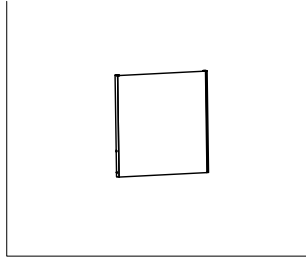
⑧ x6



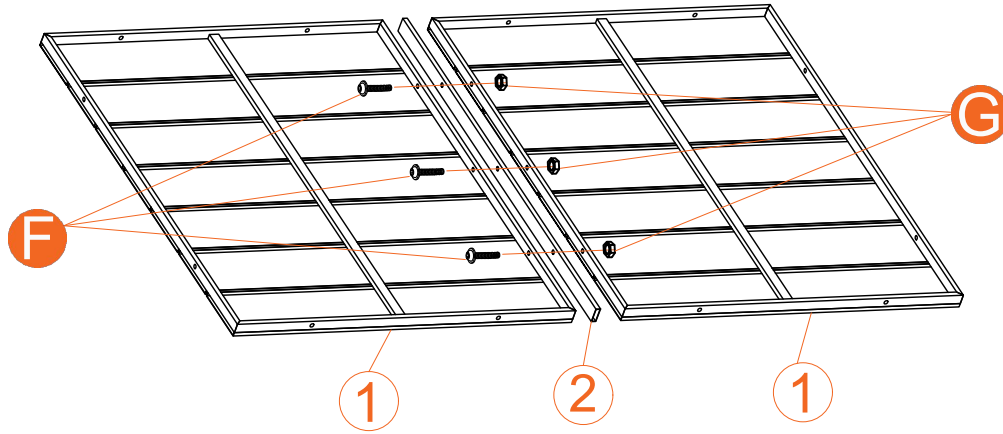
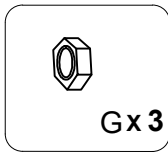
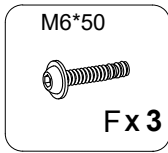
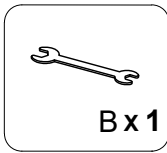
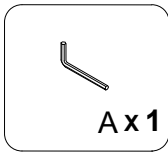
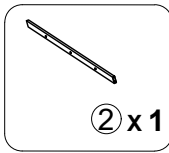
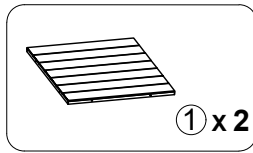
⑨ x6



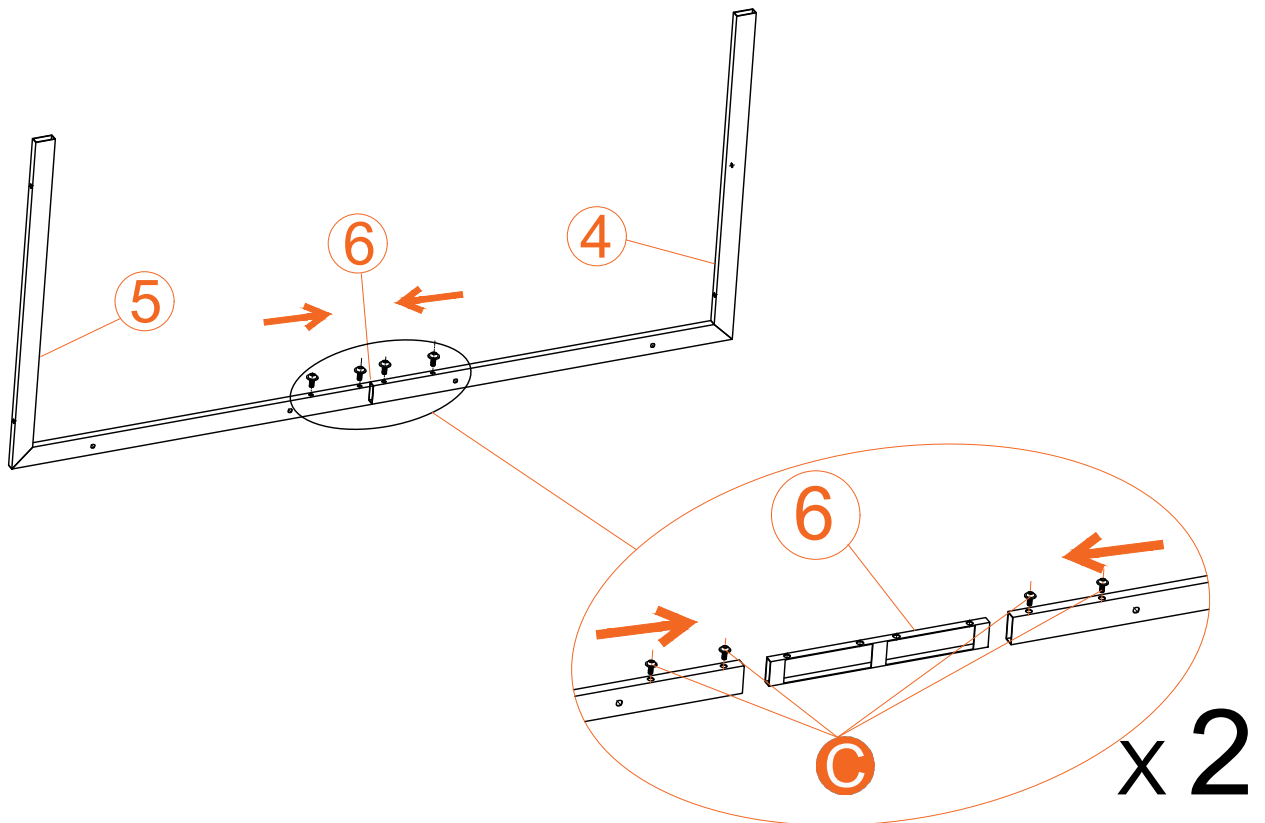
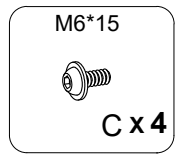
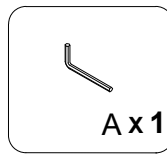
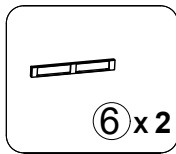
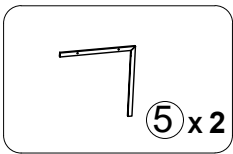
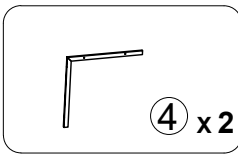
⑩ x6



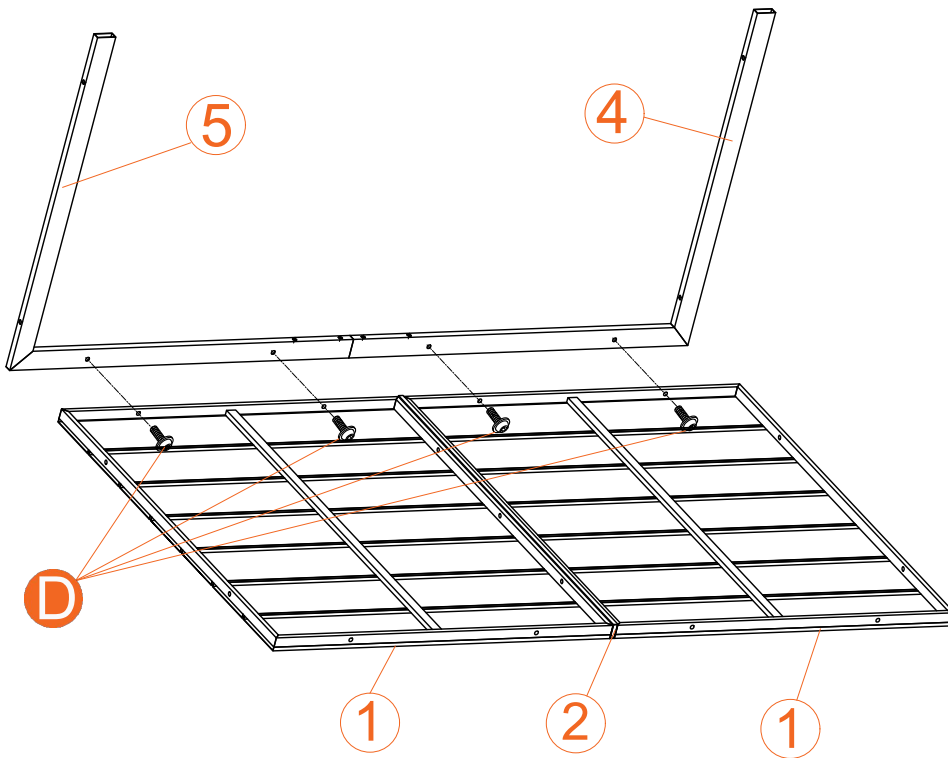
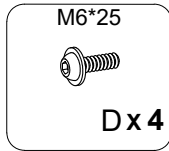
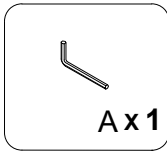
1



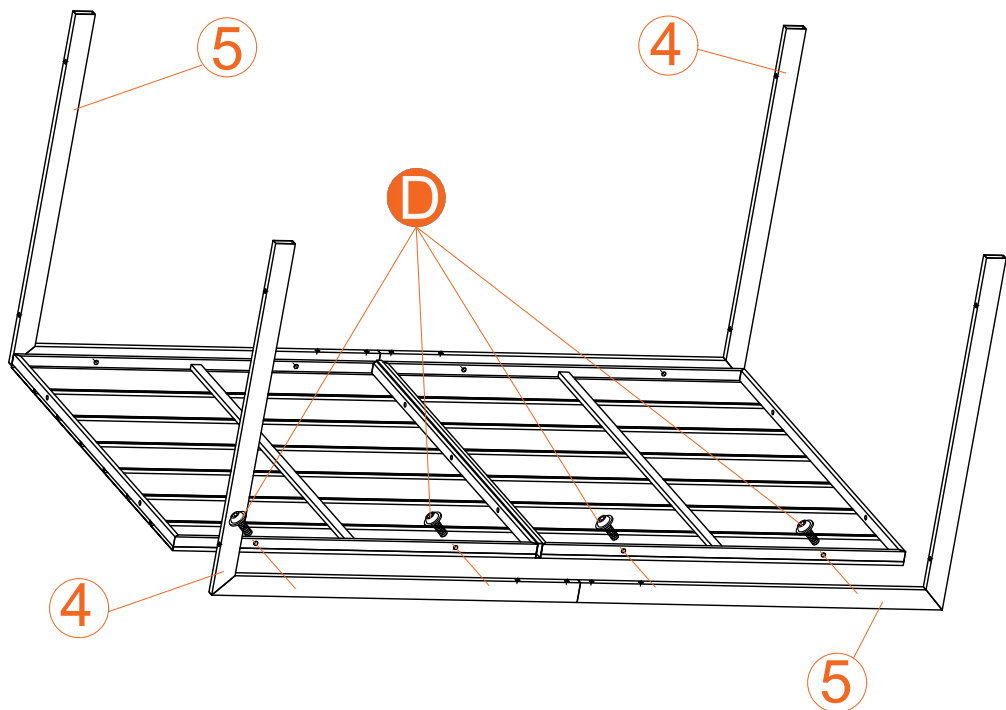
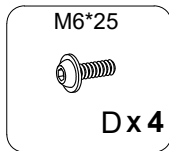
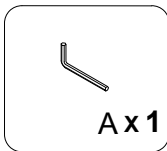
2



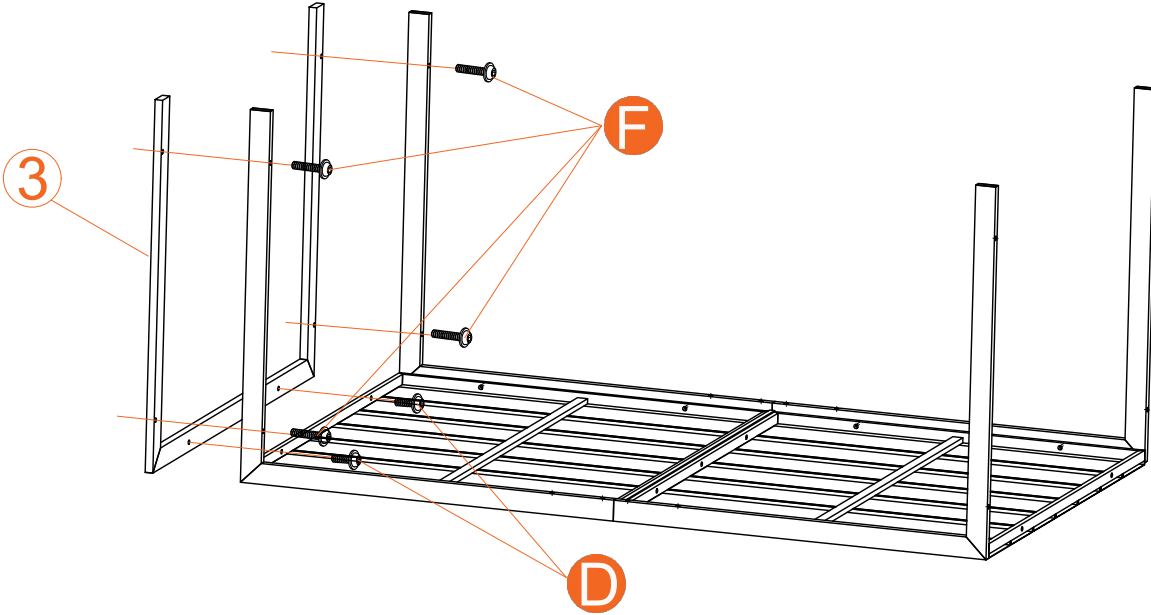
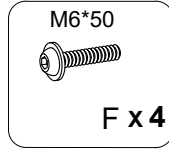
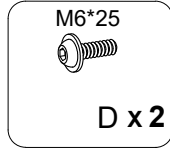
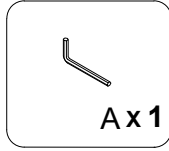
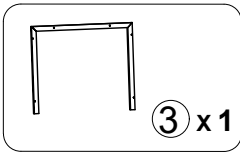
3



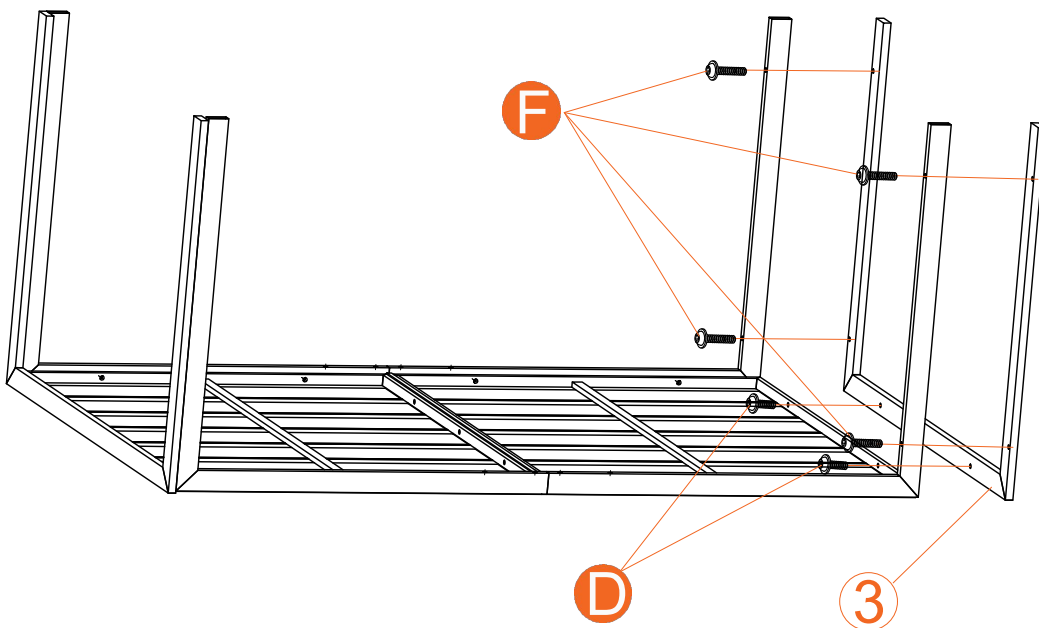
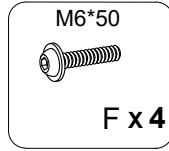
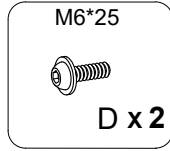
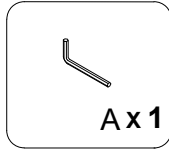
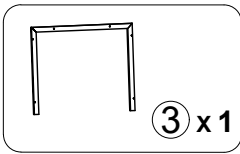
4



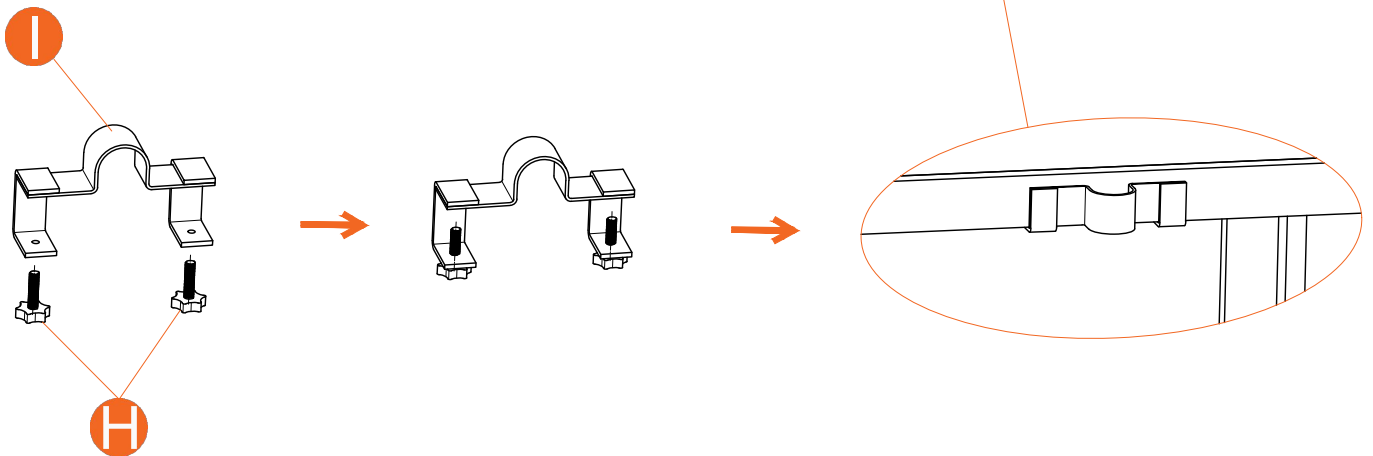
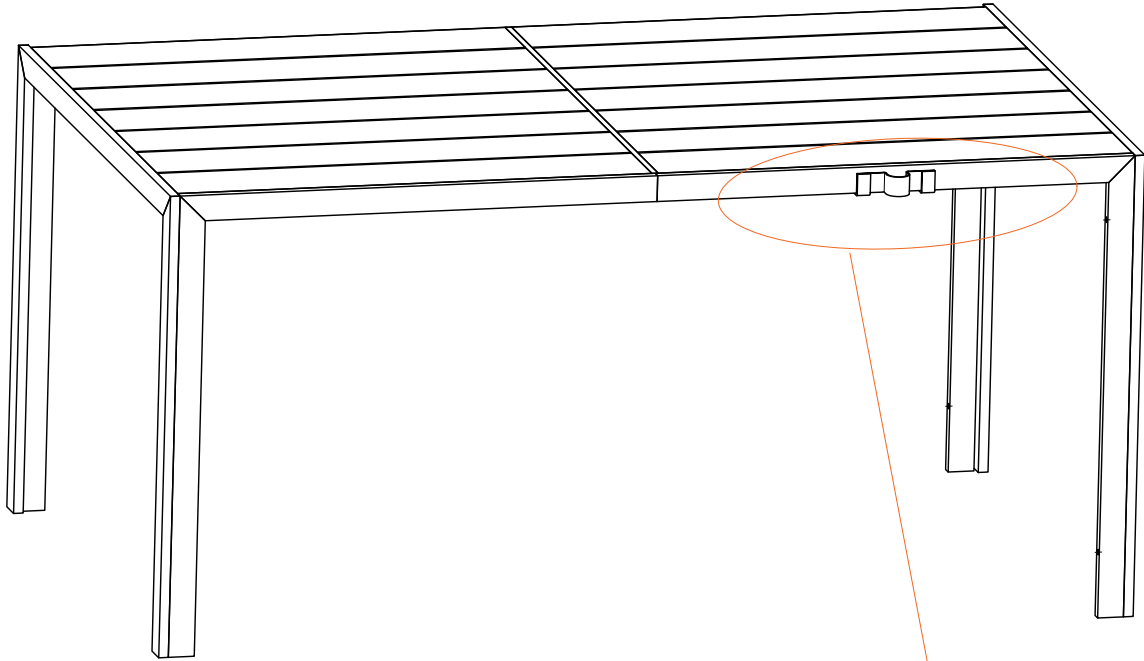
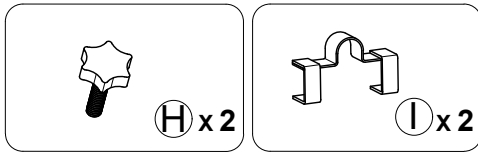
5



6

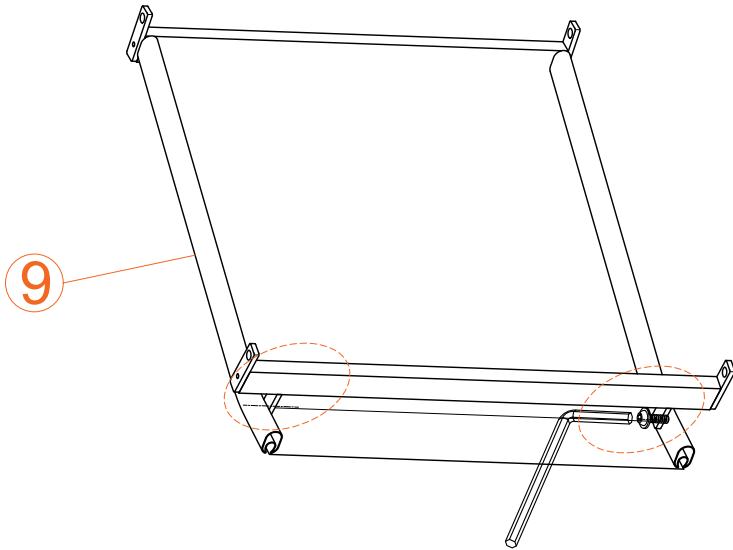
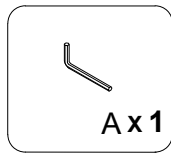
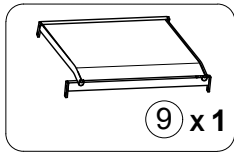


7



We offer a sunshade umbrella attachment that can be securely mounted on either side of a table to meet your needs.

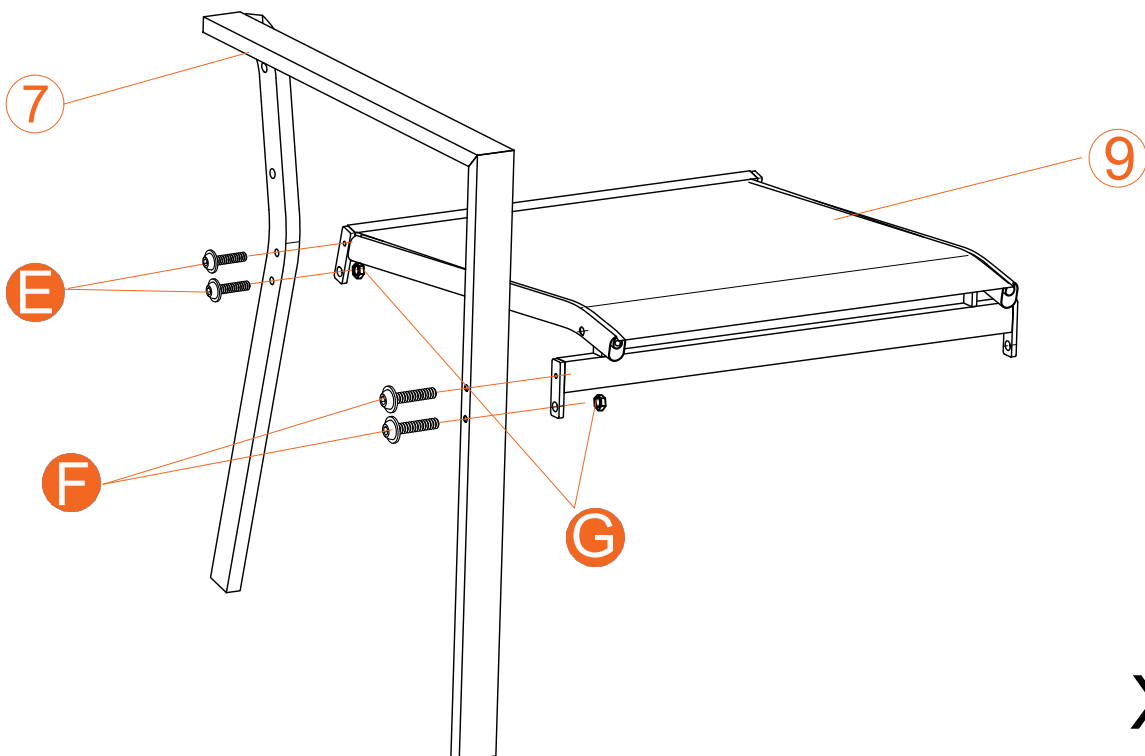
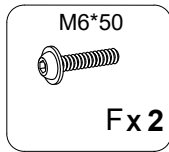
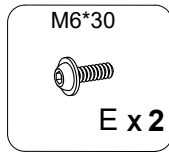
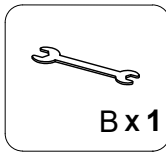
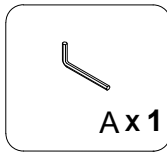
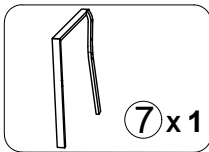
8



This part is pre-assembled and needs to be rescrewed during assembly

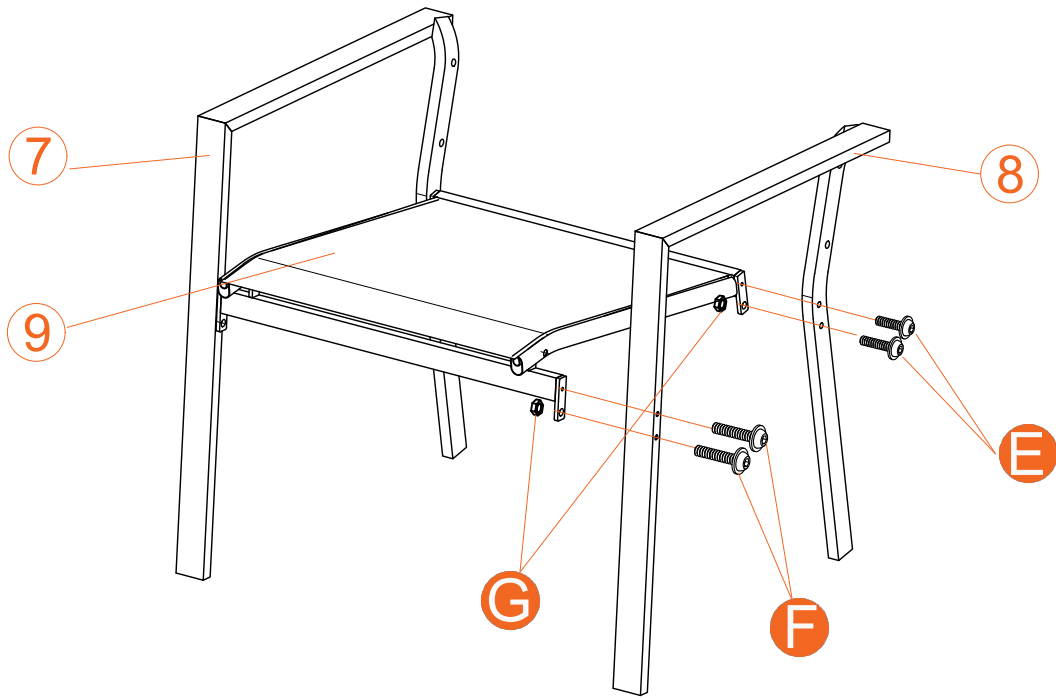
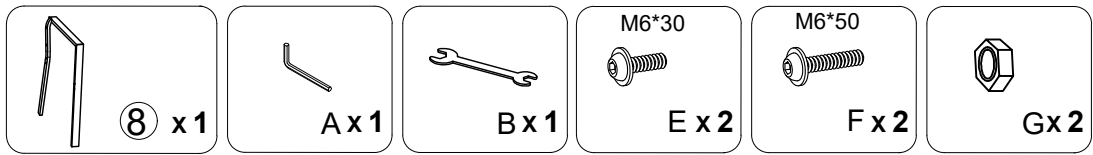
x 6

9



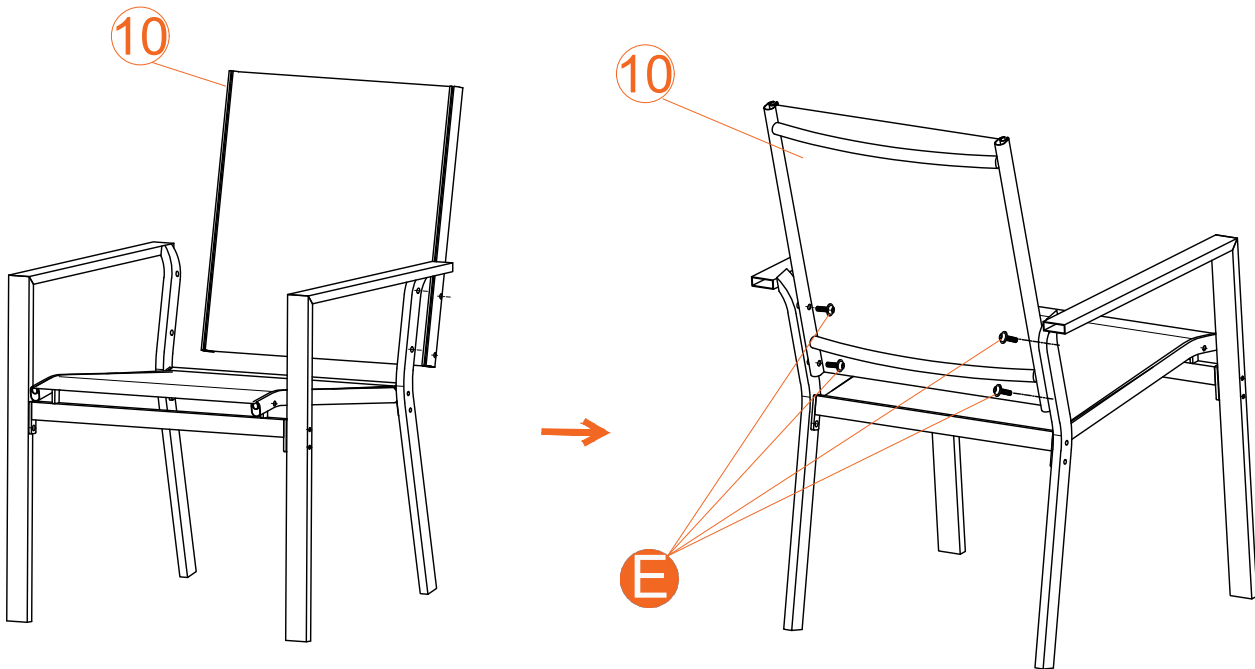
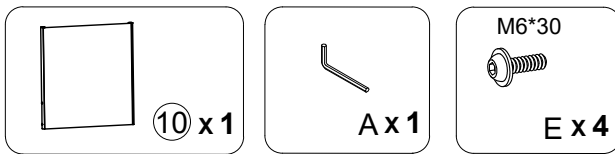
x 6

10



x 6

11



x 6

