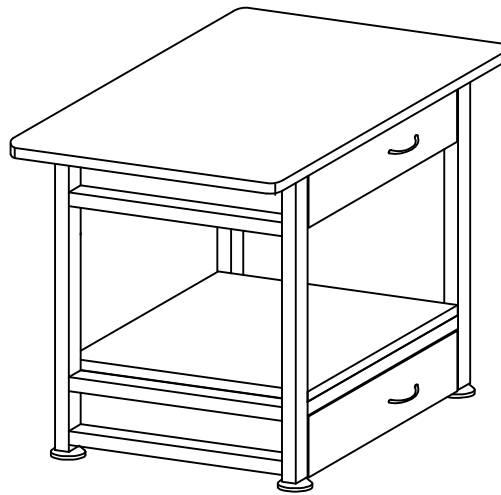
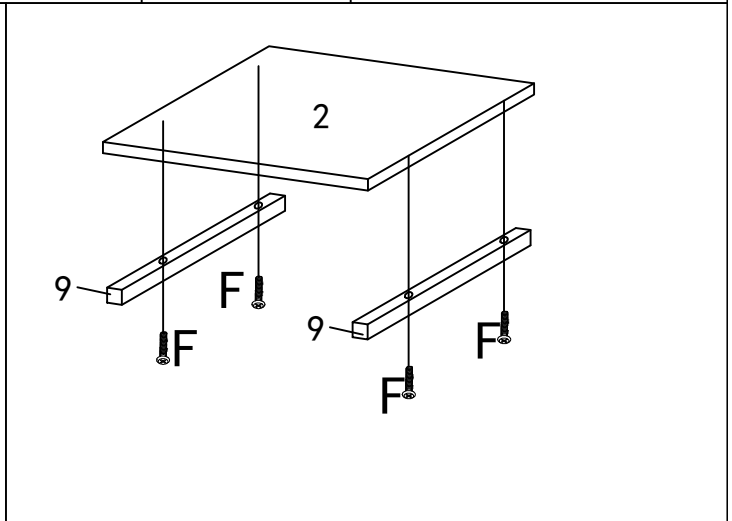
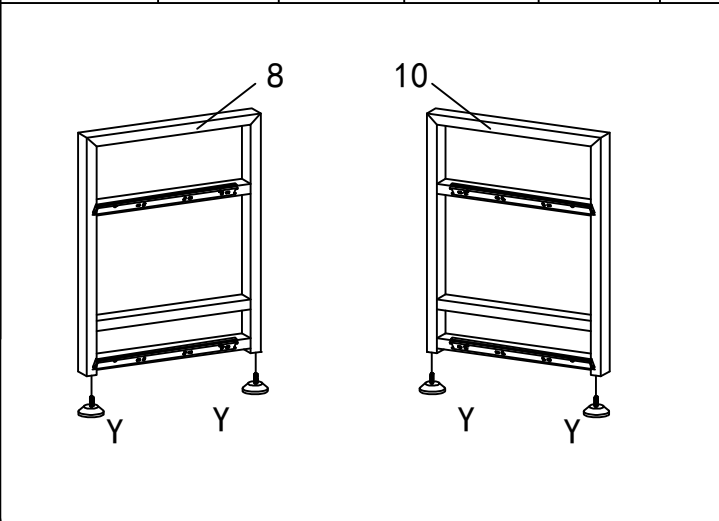
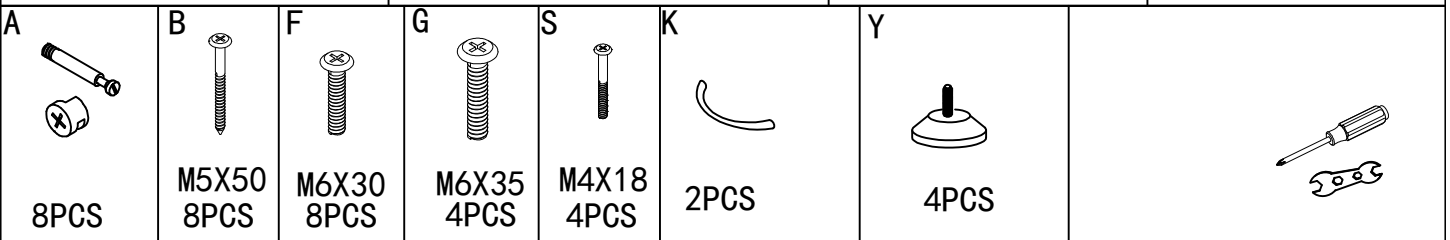
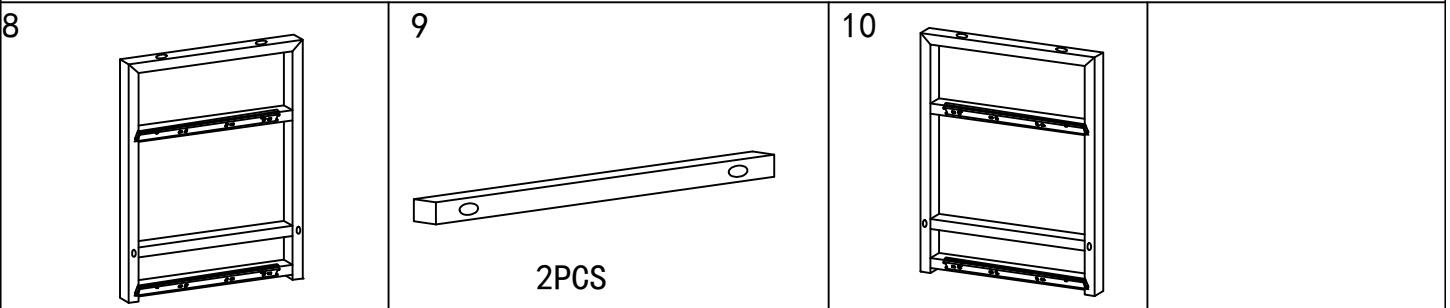
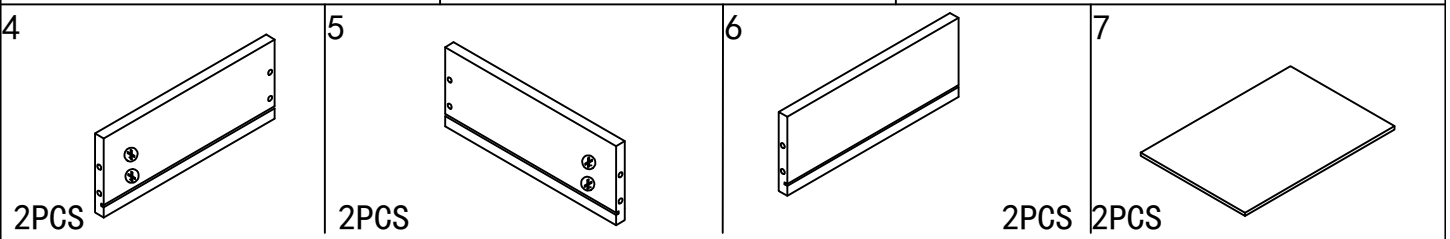
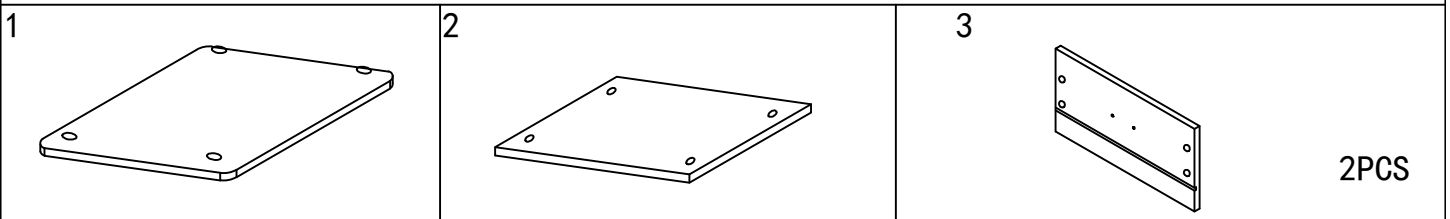


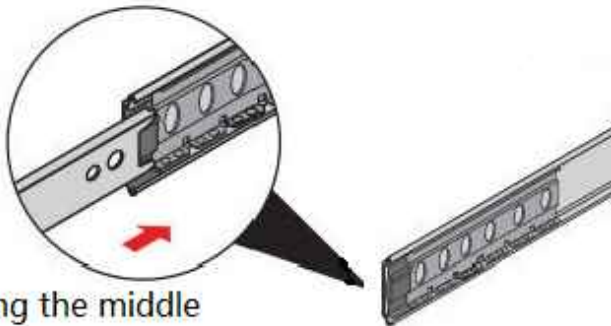
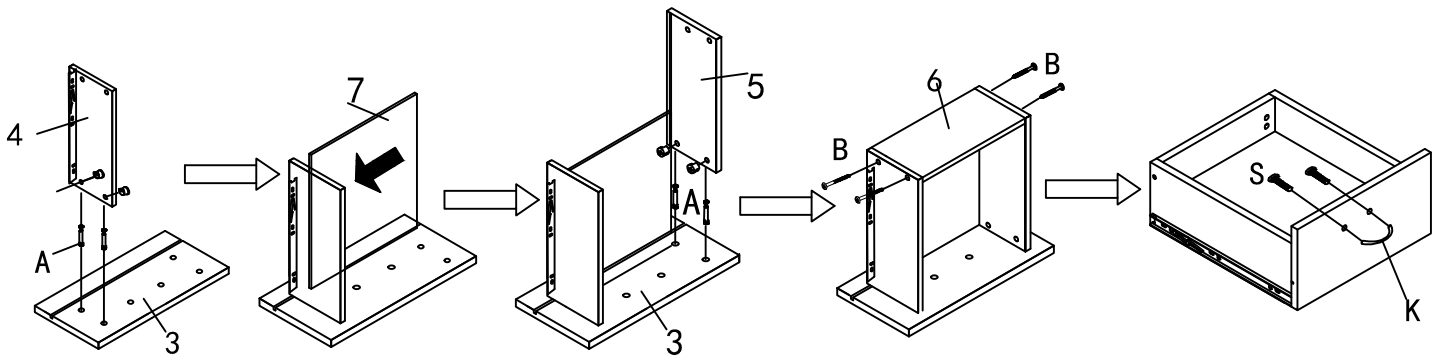
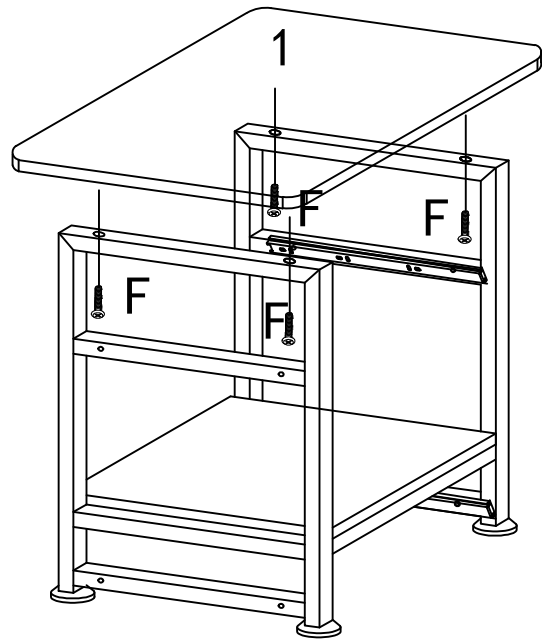
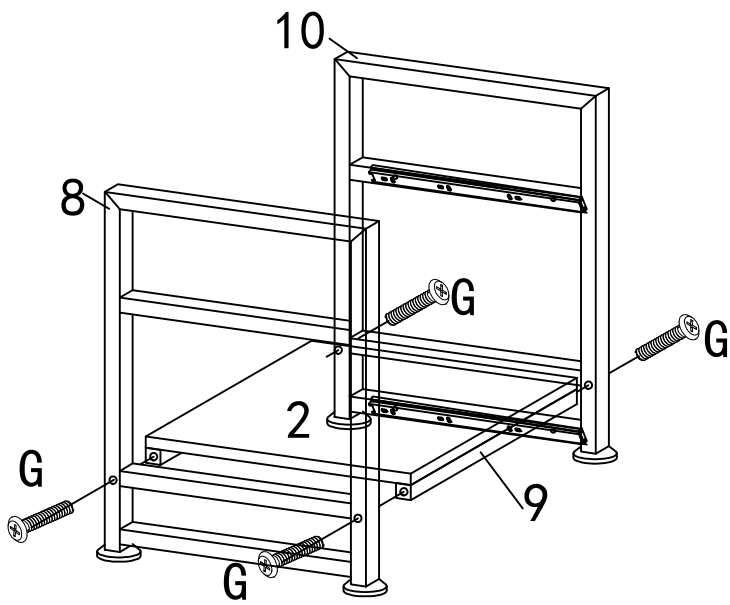
ASSEMBLY INSTRUCTION

P1



Notes: Don't tighten screws completely at first, just in case parts were assembled wrong and need disassemble. Tighten screws at last when all parts are put together





locking the middle
fixing rail in order
to move in

