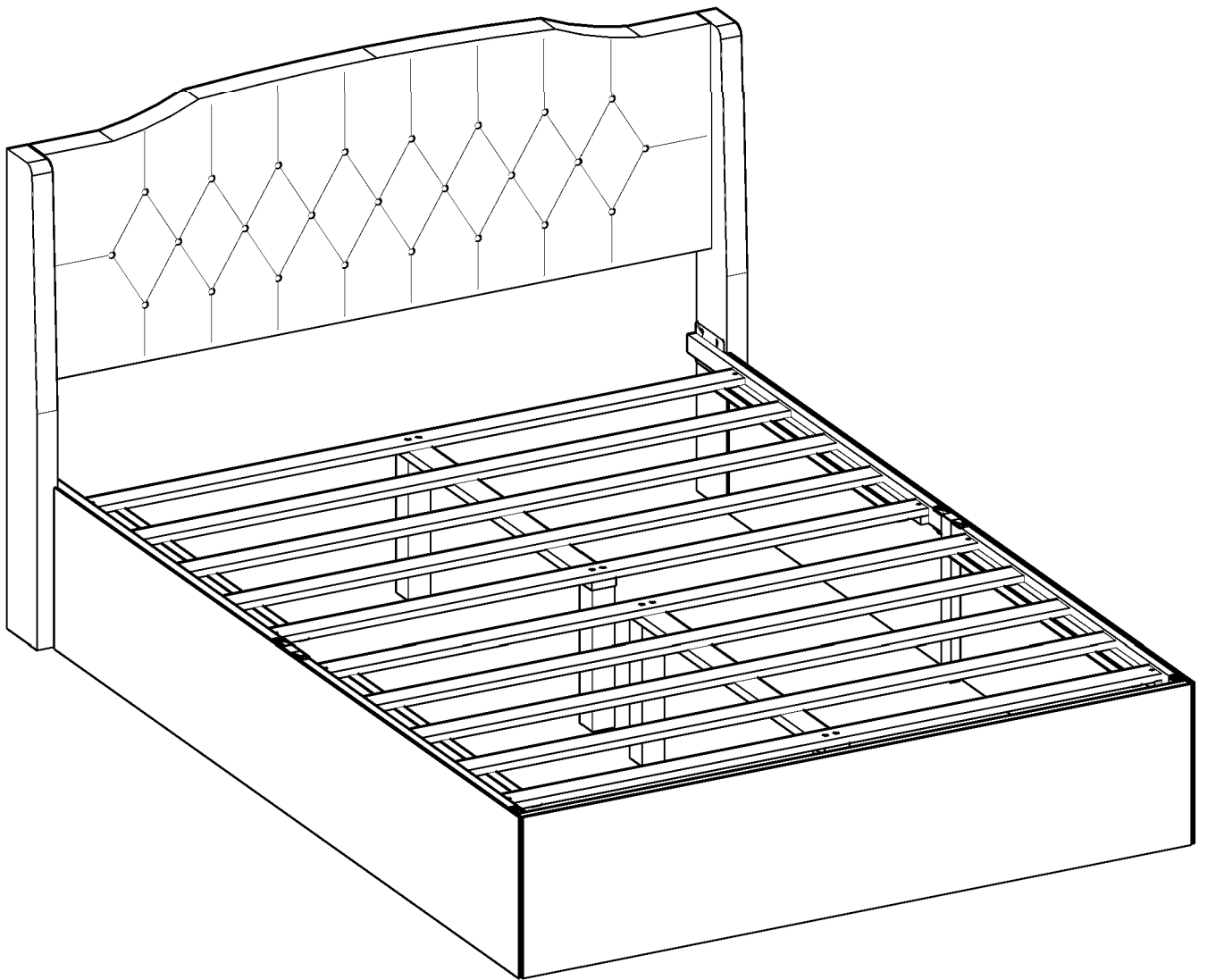
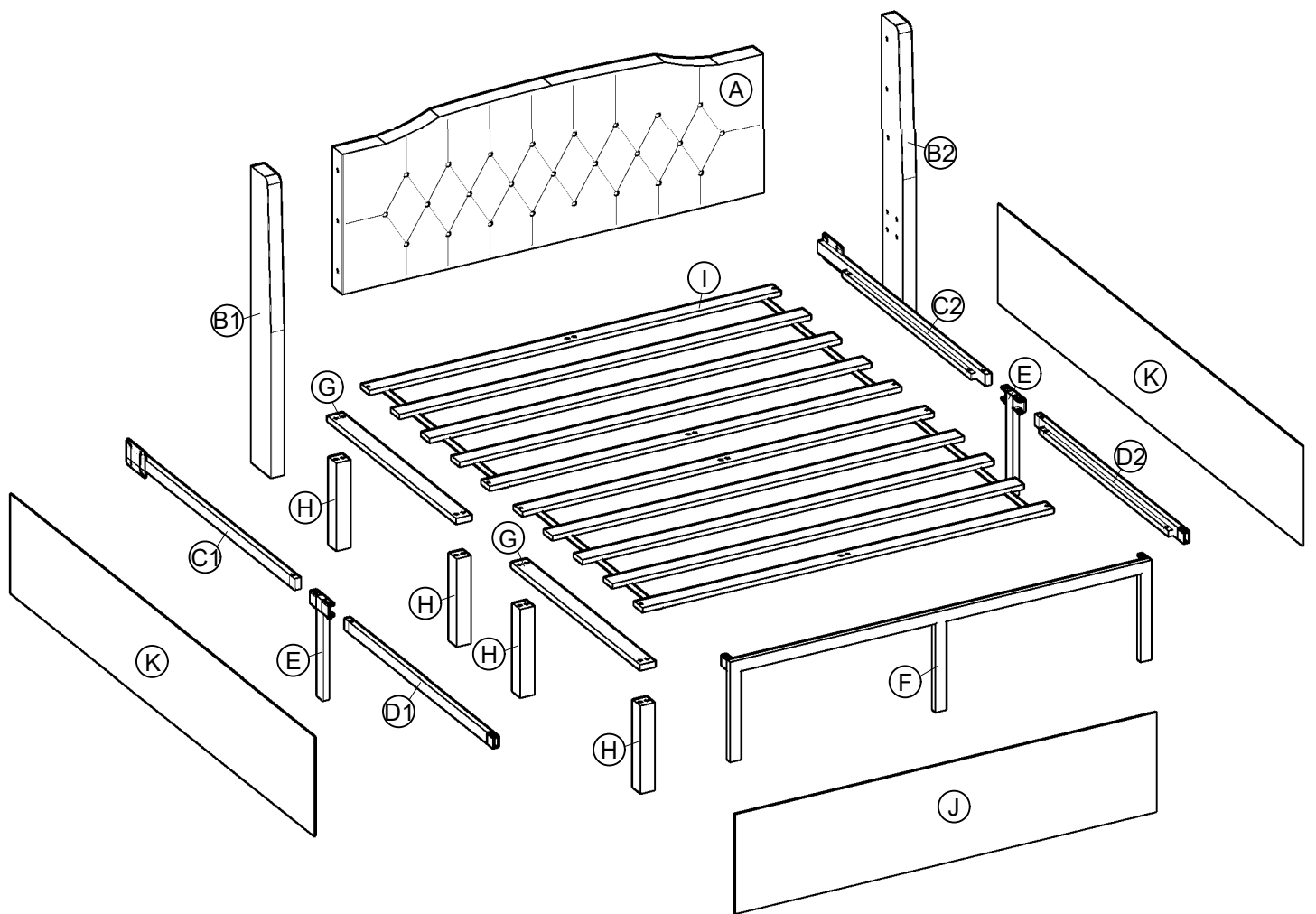


ASSEMBLY INSTRUCTION/INSTRUCTIONS D'ASSEMBLAGE



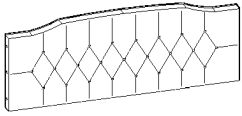
ASSEMBLY INSTRUCTION/INSTRUCTIONS D'ASSEMBLAGE



ASSEMBLY INSTRUCTION/INSTRUCTIONS D'ASSEMBLAGE

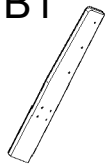
PART LIST

A



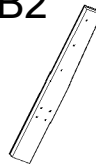
Headboard
Tête de lit
x 1

B1



Headboard Side -L
Côté tête de lit -L
x 1

B2



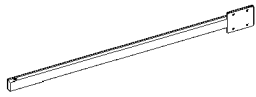
Headboard Side -R
Côté tête de lit -R
x 1

C1



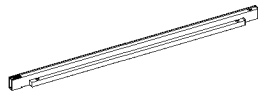
Side Rail Metal -L
Rail latéral en métal -L
x 1

C2



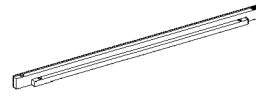
Side Rail Metal -R
Rail latéral en métal -R
x 1

D1



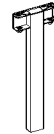
Side Rail Metal -L
Rail latéral en métal -L
x 1

D2



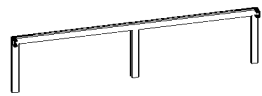
Side Rail Metal -R
Rail latéral en métal -R
x 1

E



Side Rail Leg
Pied de rail latéral
x 2

F



Footboard Metal
métallique du pied de lit
x 1

G



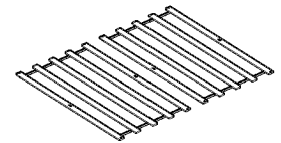
Center Rail
Barre de support centrale
x 2

H



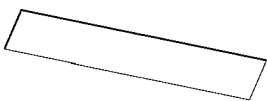
Center Leg
Pieds de support centrales
x 4

I



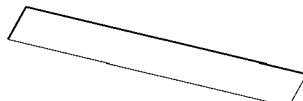
Slats
Lattes
x 10

J



Footboard Fabric
Tissu du pied de lit
x 1

K

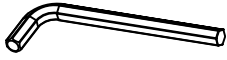


Side Rail Fabric
Tissu de rail latéral
x 2

ASSEMBLY INSTRUCTION/INSTRUCTIONS D'ASSEMBLAGE

HARDWARE LIST

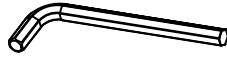
①



Allen Key M4
Clé Allen M4

x 1

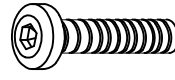
②



Allen Key M5
Clé Allen M5

x 1

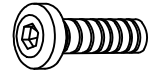
③



JCBC Bolt M6 x 50mm
Boulon JCBC M6 x 50mm

x 9

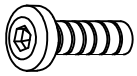
④



JCBC Bolt M6 x 40mm
Boulon JCBC M6 x 40mm

x 7

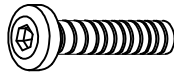
⑤



JCBC Bolt M6 x 25mm
Boulon JCBC M6 x 25mm

x 9

⑥



JCBB BOLT M8 x 50mm
(Black)
Boulon JCBC M8 x 50mm
(Noir)

x 5

⑦



JCBB BOLT M8 x 16mm
(Black)
Boulon JCBC M8 x 16mm
(Noir)

x 5

⑧



JCBC BOLT M6 x 25mm
(Black)
Boulon JCBC M6 x 25mm
(Noir)

x 9

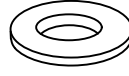
⑨



M6 Spring Washer
Rondelle ressort M6

x 7

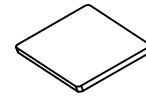
⑩



M6 Flat Washer
Rondelle plate M6

x 7

⑪




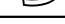


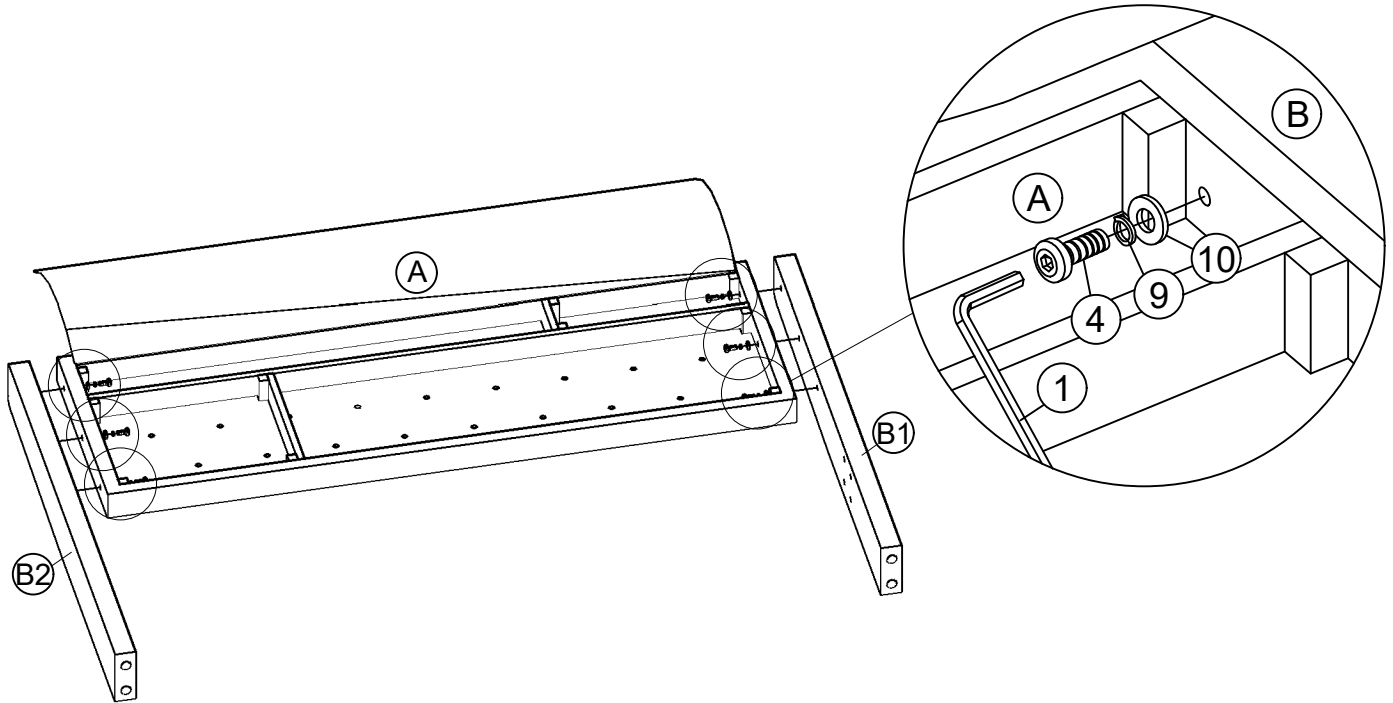
Foot Pads
Coussinets de pieds

x 6



ASSEMBLY INSTRUCTION/INSTRUCTIONS D'ASSEMBLAGE

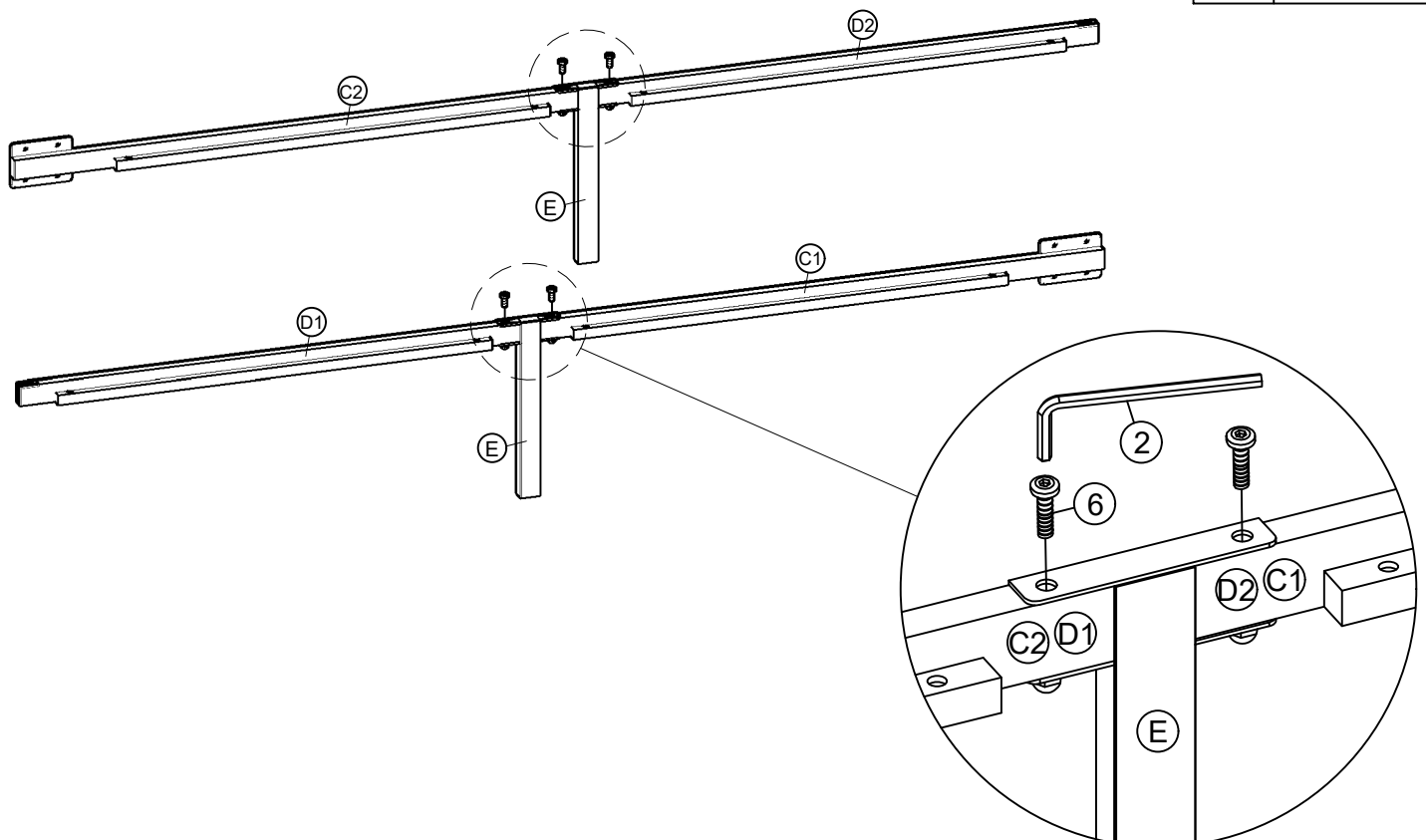
STEP 1/ÉTAPE 1

REQUIRED/REQUIS/REQUERIDO		
x1	(1)	
x6	(4)	
x6	(9)	
x6	(10)	




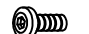
STEP 2/ÉTAPE 2

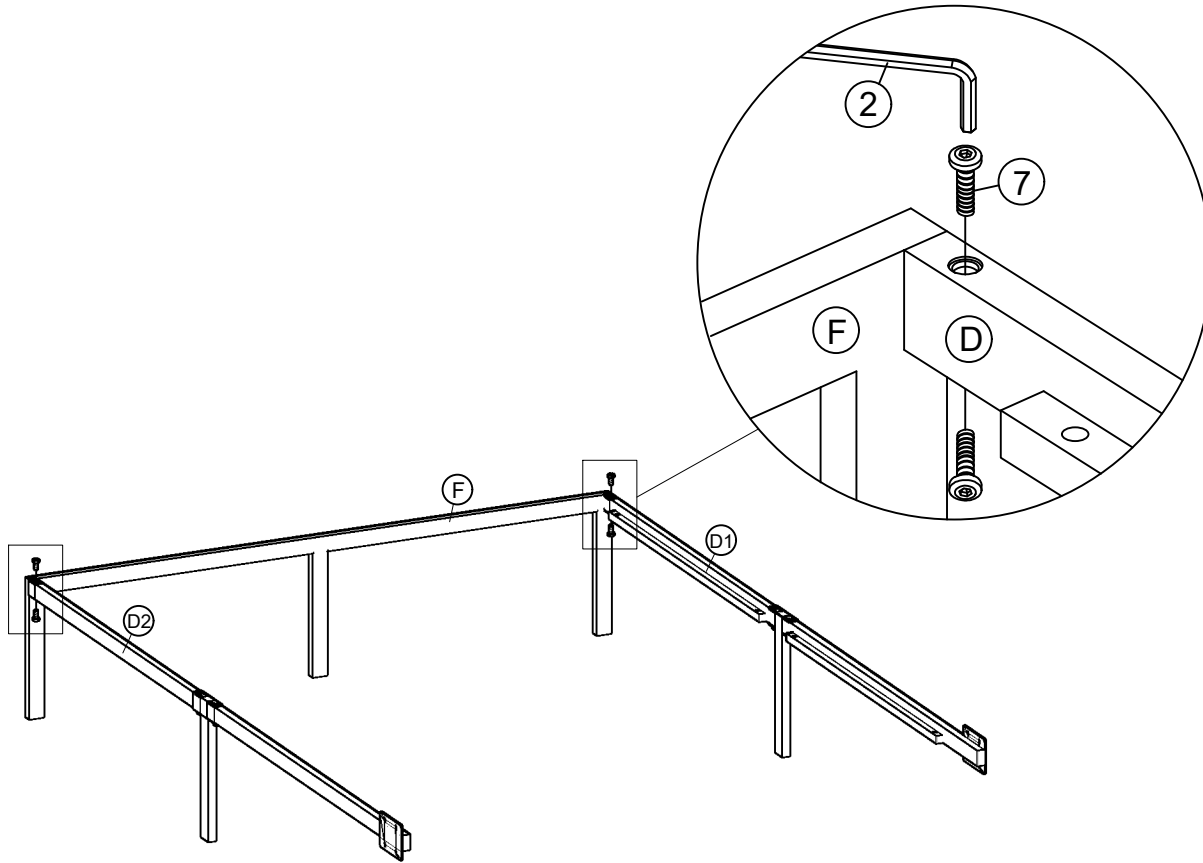
REQUIRED/REQUIS/REQUERIDO		
x1	(2)	
x4	(6)	





ASSEMBLY INSTRUCTION/INSTRUCTIONS D'ASSEMBLAGE

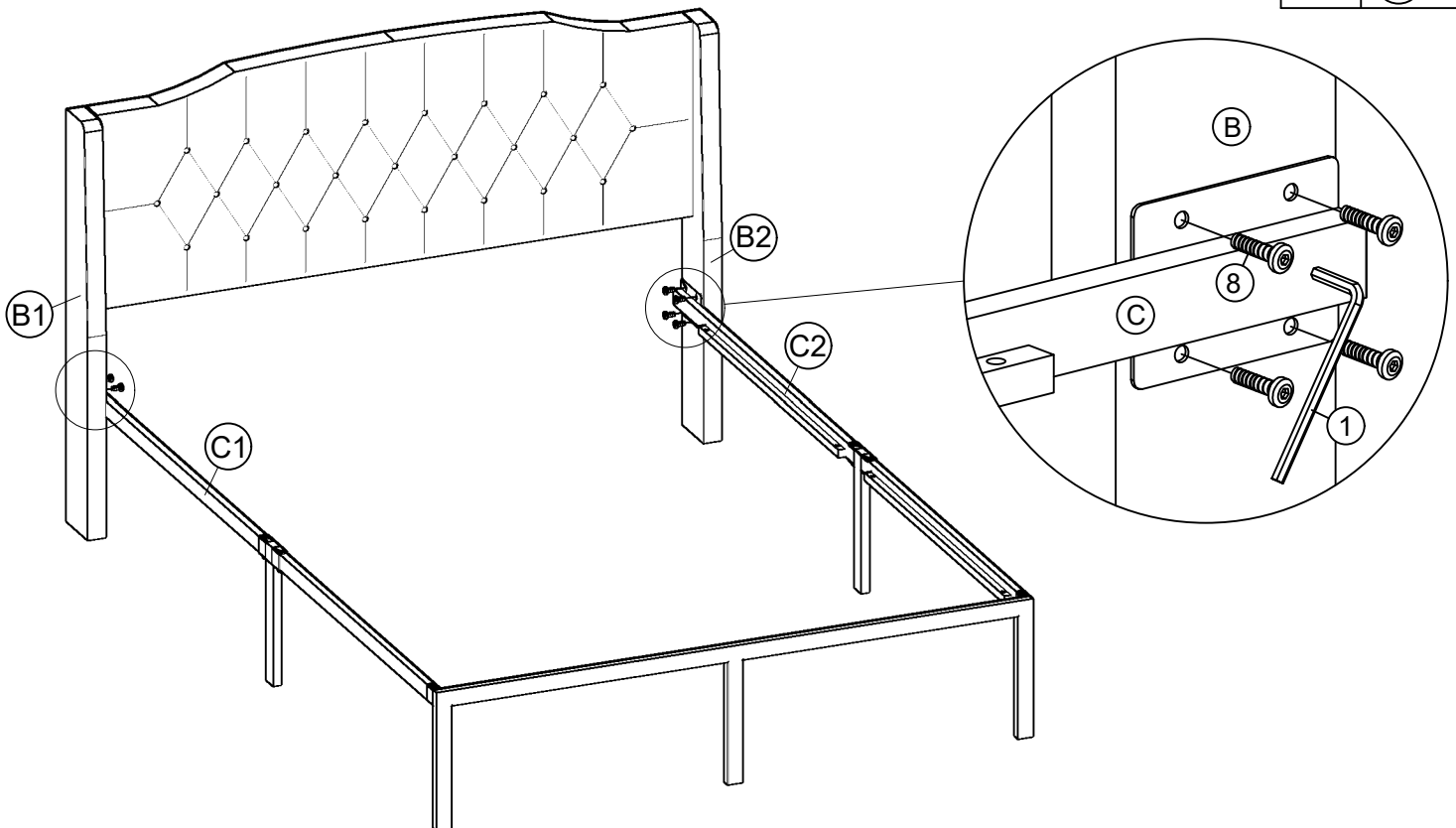
STEP 3/ÉTAPE 3

REQUIRED/REQUIS/REQUERIDO		
x1	(2)	
x4	(7)	




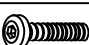
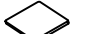
STEP 4/ÉTAPE 4

REQUIRED/REQUIS/REQUERIDO		
x1	(1)	
x8	(8)	



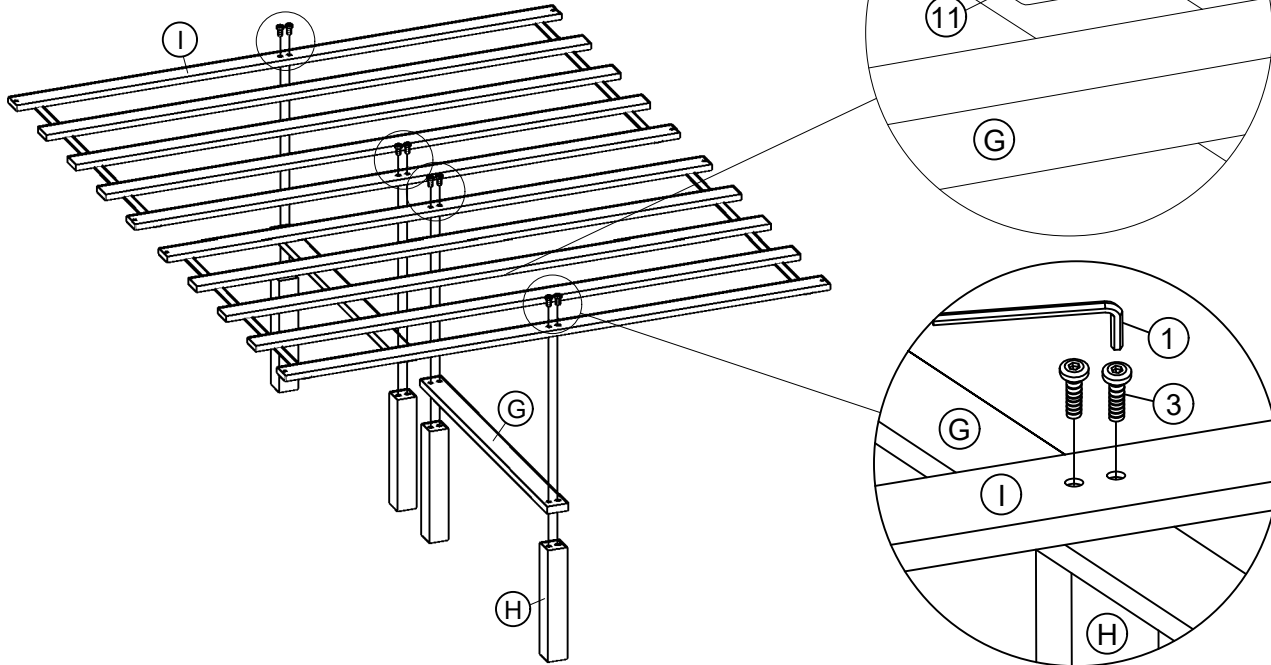
ASSEMBLY INSTRUCTION/INSTRUCTIONS D'ASSEMBLAGE

STEP 5/ÉTAPE 5



REQUIRED/REQUIS/REQUERIDO		
x1	(1)	
x8	(3)	
x6	(11)	

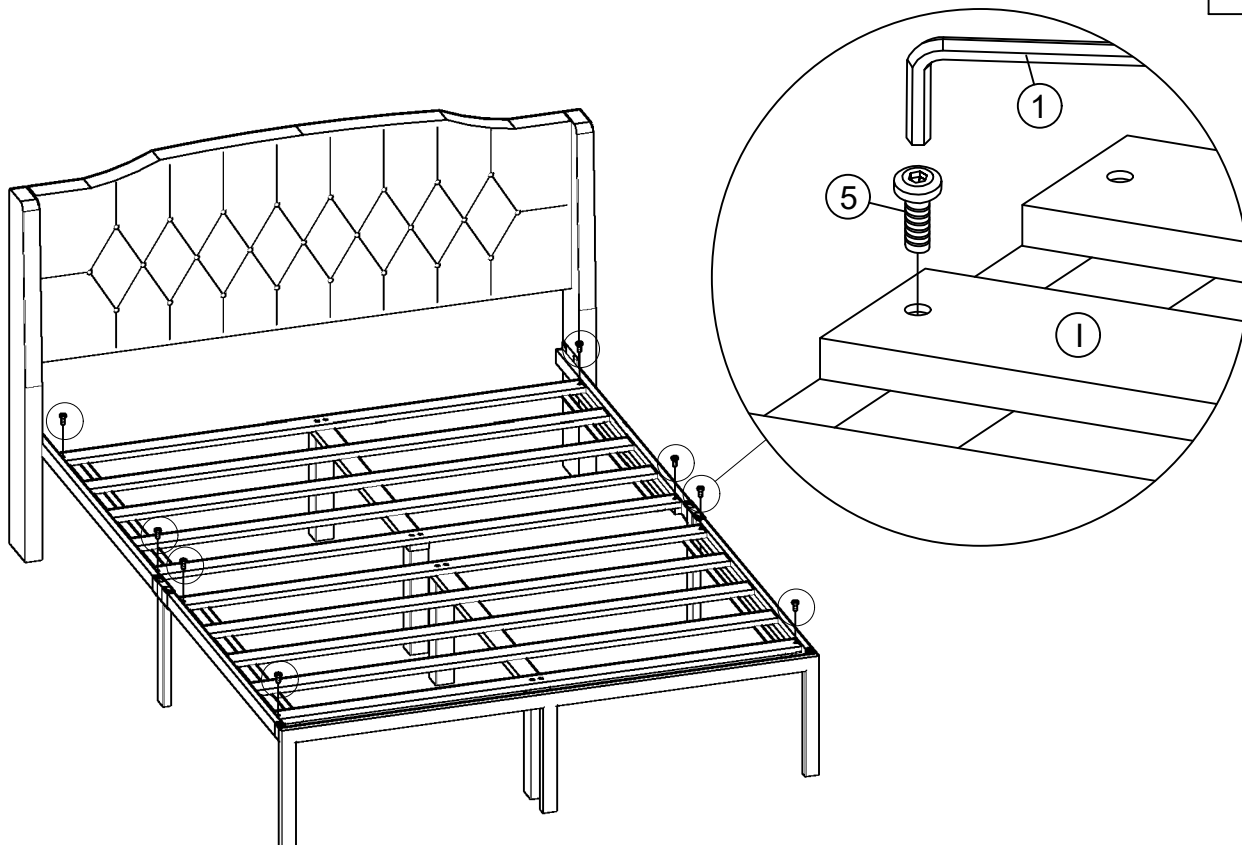
Foot Pads (11) need to be paste under the slats
no.2,3,4,7,8,9.

Les repose-pieds (11) doivent être collés sous les lattes.
n°2,3,4,7,8,9.



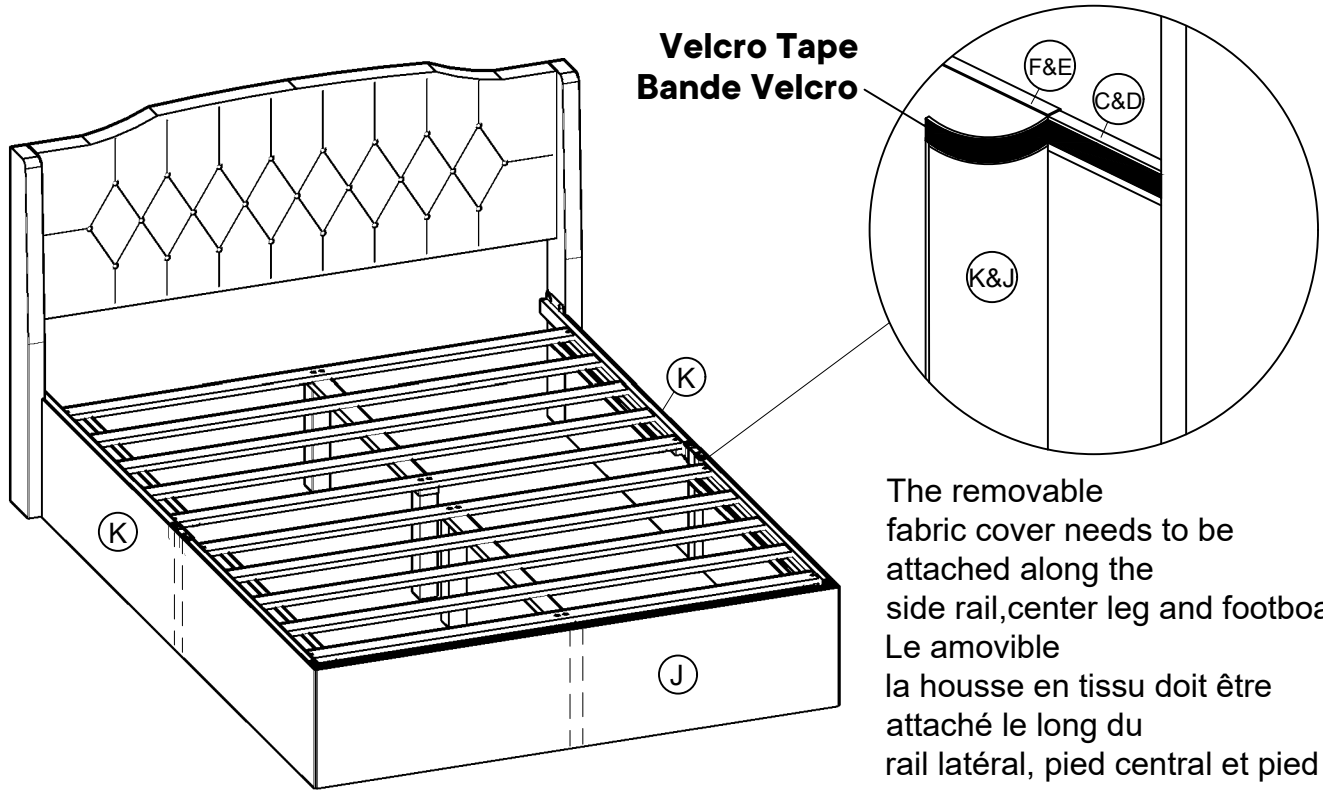
STEP 6/ÉTAPE 6

REQUIRED/REQUIS/REQUERIDO		
x1	(2)	
x8	(5)	



ASSEMBLY INSTRUCTION/INSTRUCTIONS D'ASSEMBLAGE

STEP 7/ÉTAPE 7



COMPLETE/COMPLÈTE

