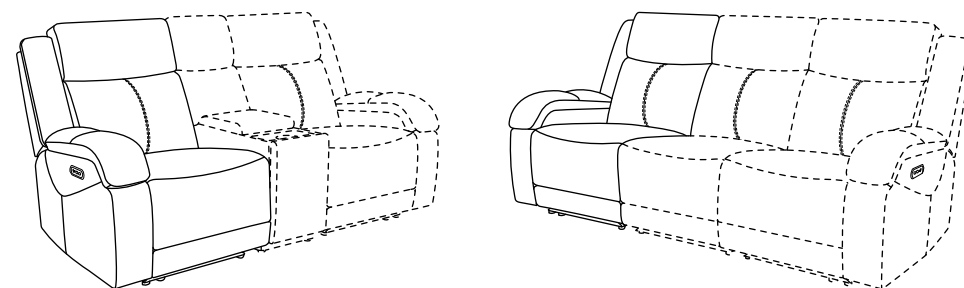

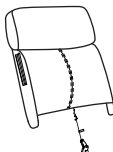

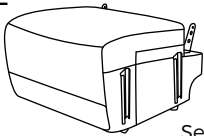




Power Left Chair **Assembly Manual**

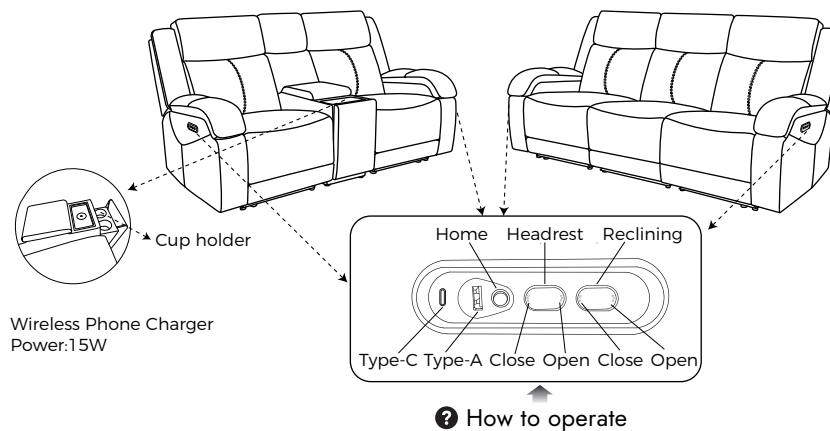
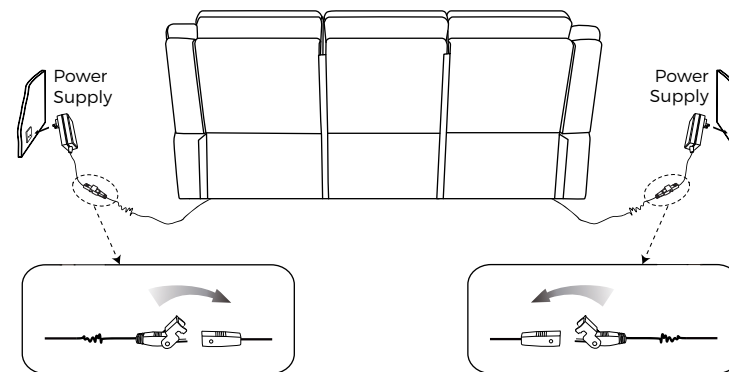
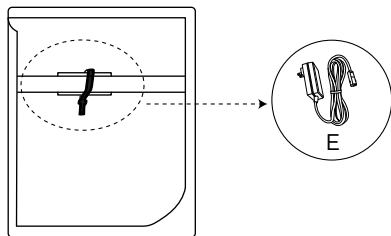


 **CAUTION** THIS ASSEMBLY MANUAL CONTAINS IMPORTANT SAFETY INFORMATION.
PLEASE READ AND KEEP FOR FUTURE REFERENCE.

Parts

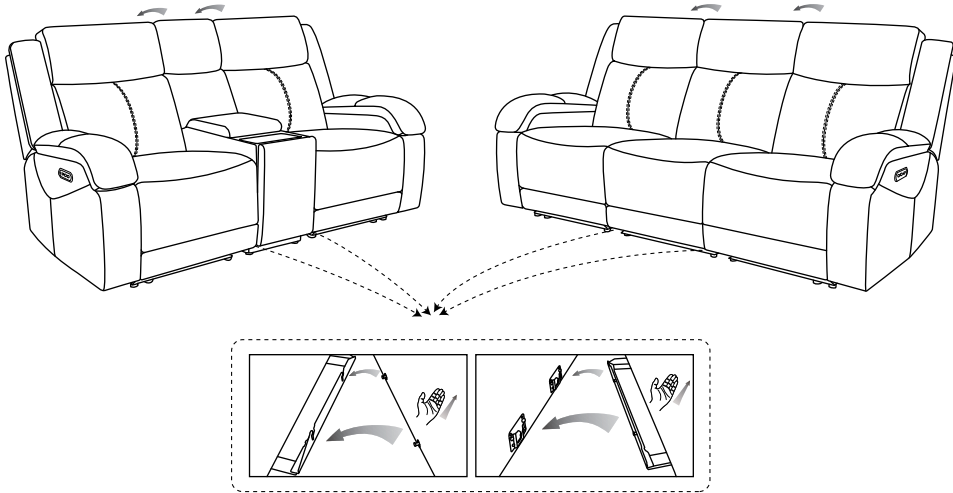
<p>A-L</p>  <p>Back</p>	<p>B-L</p>  <p>Left Armrest</p>	<p>C-L</p>  <p>Seat</p>
<p>D-L</p>  <p>Left Wing</p>	<p>E</p>  <p>Power Supply</p>	

Before you begin: Locate the Power Supply (E) at the bottom of Power Left Chair Seat.

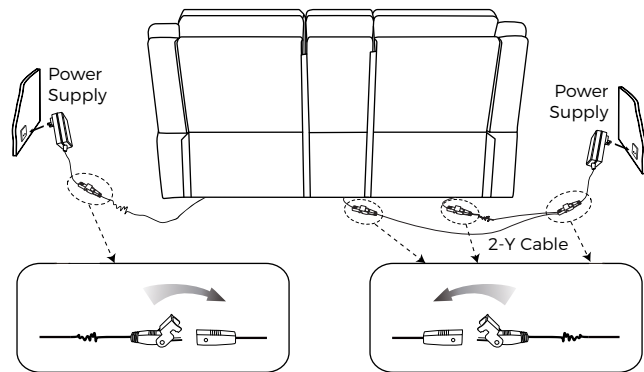


How to Connect

Step 1: Attach each piece with brackets on the side. Kindly note to attach from Right hand to Left hand. **(Note: First lift the sofa up.)**

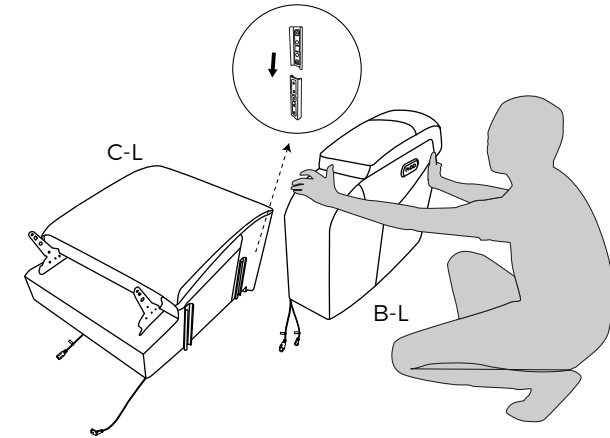


Step 2: Using 2-Y cable (from Console parts) to connect your Console and Power Left Recliner together. Plug the Power Supply into the power outlet.

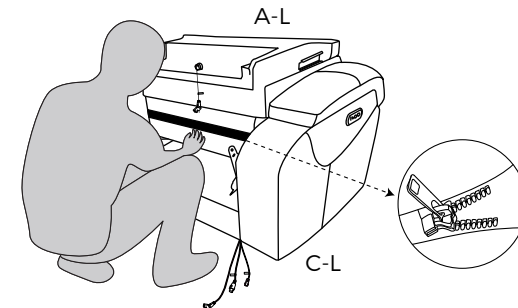


Step 1: Slide the Left Armrest (B-L) into the Seat (C-L). Push down the Left Armrest (B-L) firmly until it is locked into place.

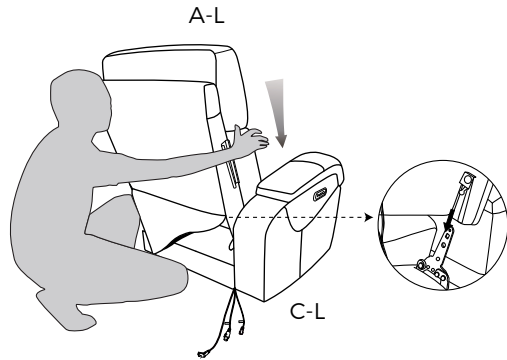
Note: Not allow to sit on the armrest after it is installed.



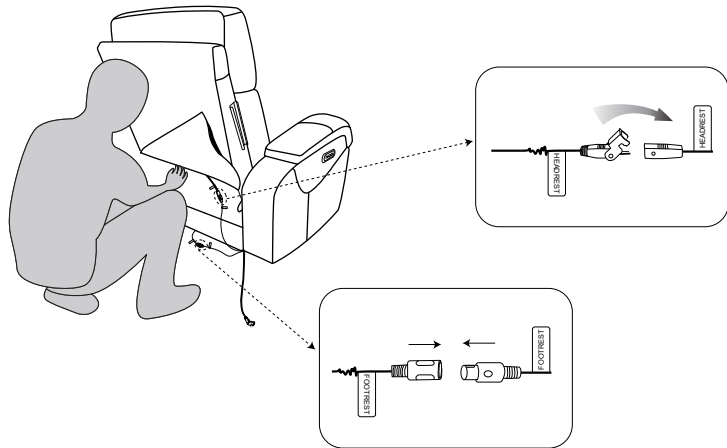
Step 2: Zip up the Back (A-L) and the Seat (C-L) together.



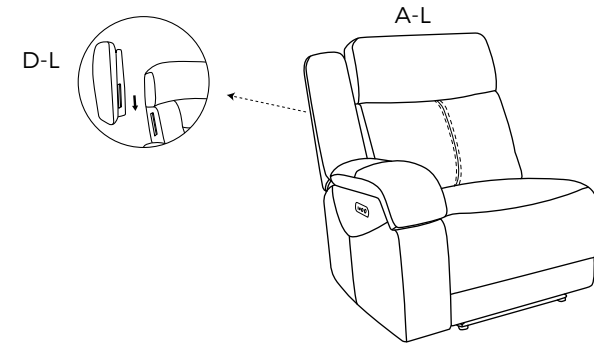
Step 3: Slide the Back (A-L) into the metallic quick connectors of the Seat (C-L). Push down the Back (A-L) firmly until each side is locked into place and an audible "click" is heard.



Step 4: Connect the Headrest cable into the Headrest cable. Connect the Footrest cable into the Footrest cable.



Step 5: Slide the Left Wing (D-L) into the Back (A-L).



Step 6: Attach the back cover to the bottom of the Seat (C-L) with Velcro.

