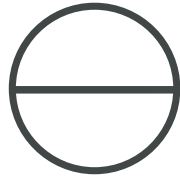


# FRONT LOADING

---



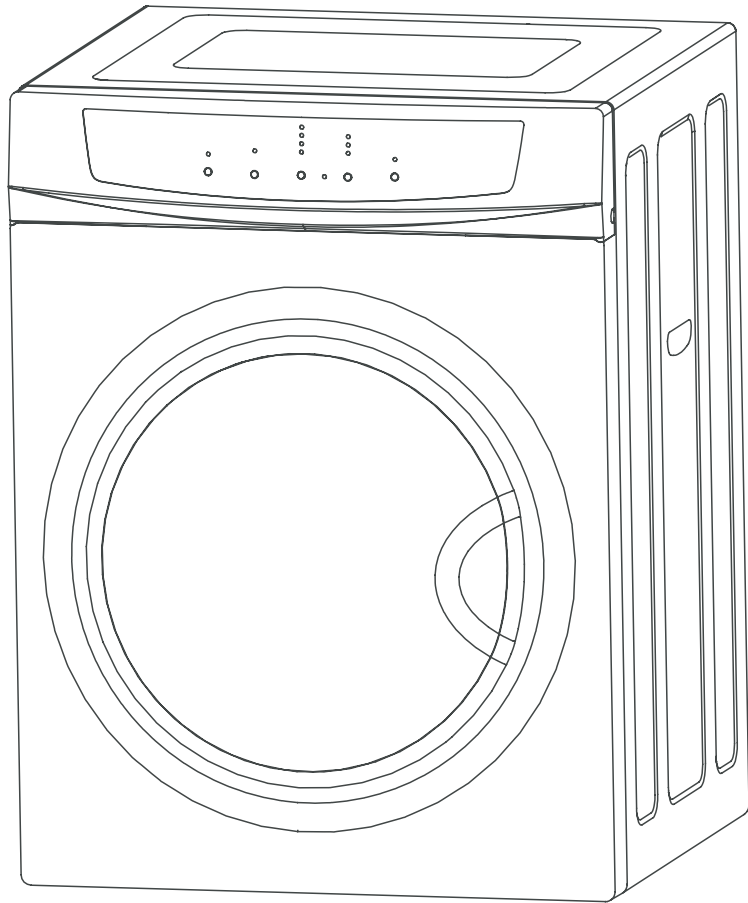
**EQUATOR**<sup>®</sup>

ADVANCED Appliances ≡

## COMPACT STANDARD DRYER

Model 860

## OWNER'S MANUAL



# TABLE OF CONTENTS

1. Warranty and Service.....	3
2. Safety Instructions.....	4
3. Components.....	6
4. Operating your Dryer.....	7
5. Control panel functions.....	8
6. Operation precautions.....	9
7. Installation instructions.....	11
8. Maintenance.....	14
9. Troubleshooting and Specs.....	15

## WARRANTY SERVICE

---

This warranty is given by:

**Equator Appliances**  
**10216 Georgibelle Drive, Suite 900D**  
**Houston, TX 77043-5249**

**For Service:**

Call 1-800-776-3538  
Email: [service@appliancedesk.com](mailto:service@appliancedesk.com)  
Web: [www.ApplianceDesk.com](http://www.ApplianceDesk.com)  
Business hours (9:00 a.m. to 5:00 p.m. weekdays).

## GENERAL

---

Since it is responsibility of the consumer-owner to establish the warranty period by verifying the original purchase date, the Equator Appliances recommends that a receipt, delivery slip or some other appropriate payment record be kept for that purpose. Remember to send to send in your Warranty Registration Card so that a proof of your purchase exists with the Equator Appliances. You can also register online by typing the following link **[www.ApplianceDesk.com](http://www.ApplianceDesk.com)**. This warranty gives you specific legal rights, and you may also have other rights which vary from State to State.

*All rights reserved. Manual subject to change without notice.*



**Electrical Testing Laboratories**

**US N° [REDACTED] CANADA**

*The ETL Listed Mark is the legal equivalent to the UL and CSA Listed Marks*

# Safety Instructions

**When using electrical appliances, in order to reduce the risk of fire, electric shock, and/or injury to persons, basic safety precautions should always be followed.**

***Read all instructions carefully, even if you are quite familiar with the appliance.***

- This appliance is not intended for use by people (including children) with reduced physical, sensory or mental capabilities, or lack of experience and knowledge, unless they have been given supervision or instruction concerning use of the appliance by a person responsible for their safety.
- Young children should be supervised to ensure that they do not play with the appliance.
- **INDOOR USE ONLY** this appliance is not intended for outdoor use.
- Do not place naked flame sources, such as candles, on the appliance.
- Do not place the appliance or cord near heat sources such as radiators, heaters, air ducts or direct sunlight.
- Do not block any of the ventilation openings. Ensure that vents are not covered by newspapers, tablecloths, curtains, etc.
- Do not run the cord under floor coverings. Instead, arrange the cord away from traffic areas where it will not become a trip hazard.
- To disconnect the appliance, turn the appliance off, switch off the power outlet and remove the plug from the power outlet.
- Do not misuse the cord. Never carry the appliance by the cord or pull to disconnect it from the outlet. Instead, grasp the plug and pull to disconnect.
- Do not operate the appliance if it has a damaged cord or plug; after the appliance malfunctions; or has been dropped or damaged in any way. Consult the manufacturer.
- Do not attempt to repair, disassemble or modify this appliance. The warranty becomes void if not serviced or repaired by a Qualified person.
- Do not place items that have been soiled with flammable liquids inside the dryer without washing them with detergent thoroughly before hand.
- Do not excessively bend, stretch, twist or bind the power cord or place heavy objects on it.
- This appliance is only to be serviced by a qualified person. There are no user-serviceable parts inside.
- Do not use an extension cord with this appliance.
- Do not install in a tight fitting cabinet.
- Do not overload the tumble dryer.
- Ensure foreign objects do not find their way into the tub of the tumble dryer.
- The door window may be hot after a long drying cycle. Please ensure children are kept away from the machine.
- If the tumble dryer is not wall mounted, place in a flat, firm, dry and drafty place. Use the adjustable front legs to assist in leveling the dryer if need be. Do not place it on any soft material such as foam or plastic
- Do not use flammable or combustible materials such as gas, petrol, alcohol or liquor in the tumble dryer.
- After turning off the power supply to the tumble dryer, wait at least 2 minutes before turning it back on again.
- Please remove the transport packaging at the rear of the tumble dryer, prior to use.
- If the supply cord is damaged, it must be replaced by the manufacturer, its service agent or similarly qualified persons in order to avoid a hazard.

**CAUTION:** If this appliance is supplied from a cord extension set or an electrical portable outlet device, the cord extension set or electrical portable outlet device must be positioned so that it is not subject to splashing or ingress of moisture.



**Oil-affected items can ignite spontaneously, especially when exposed to heat sources such as in a tumble dryer. The items become warm, causing an oxidation reaction in the oil. Oxidation creates heat. If the heat cannot escape, the items can become hot enough to catch fire. Piling, stacking or storing oil-affected items can prevent heat from escaping and so create a fire hazard.**

- If it is unavoidable that fabrics that contain vegetable or cooking oil or have been contaminated by hair care products be placed in a tumble dryer they should first be washed in hot water with extra detergent-this will reduce, but not eliminate, the hazard.
- Do not dry unwashed items in the tumble dryer.
- Items that have been soiled with substances such as cooking oil, acetone, alcohol, petrol, kerosene, spot removers, turpentine, waxes and wax removers should be washed in hot water with an extra amount of detergent before being dried in the tumble dryer.
- Items such as foam rubber (latex foam), shower caps, waterproof textiles, rubber backed articles and clothes or pillows fitted with foam rubber pads should not be dried in the tumble dryer.
- Fabric softeners, or similar products, should be used as specified by the fabric softener instructions.
- The final part of a tumble dryer cycle occurs without heat (cool down cycle) to ensure that the items are left at a temperature so that the items will not be damaged.
- Remove all flameable objects from pockets such as lighters and matches.

**WARNING:** Never stop a tumble dryer before the end of the drying cycle unless all items are quickly removed and spread out so that heat is dissipate.

- The maximum mass of dry textile material in pounds to be used in the appliance;
- The tumble dryer is not to be used if industrial chemicals have been used for cleaning;
- The lint trap has to be cleaned frequently, if applicable.
- Lint must not be allowed to accumulate around the tumble dryer (not applicable for appliances intended to be vented to the exterior of the building);
- Adequate ventilation has to be provided to avoid the back flow of gases into the room from appliances burning other fuels, including open fires.

**NOTE** This instruction is not required if the tumble dryer discharges the air into the room.

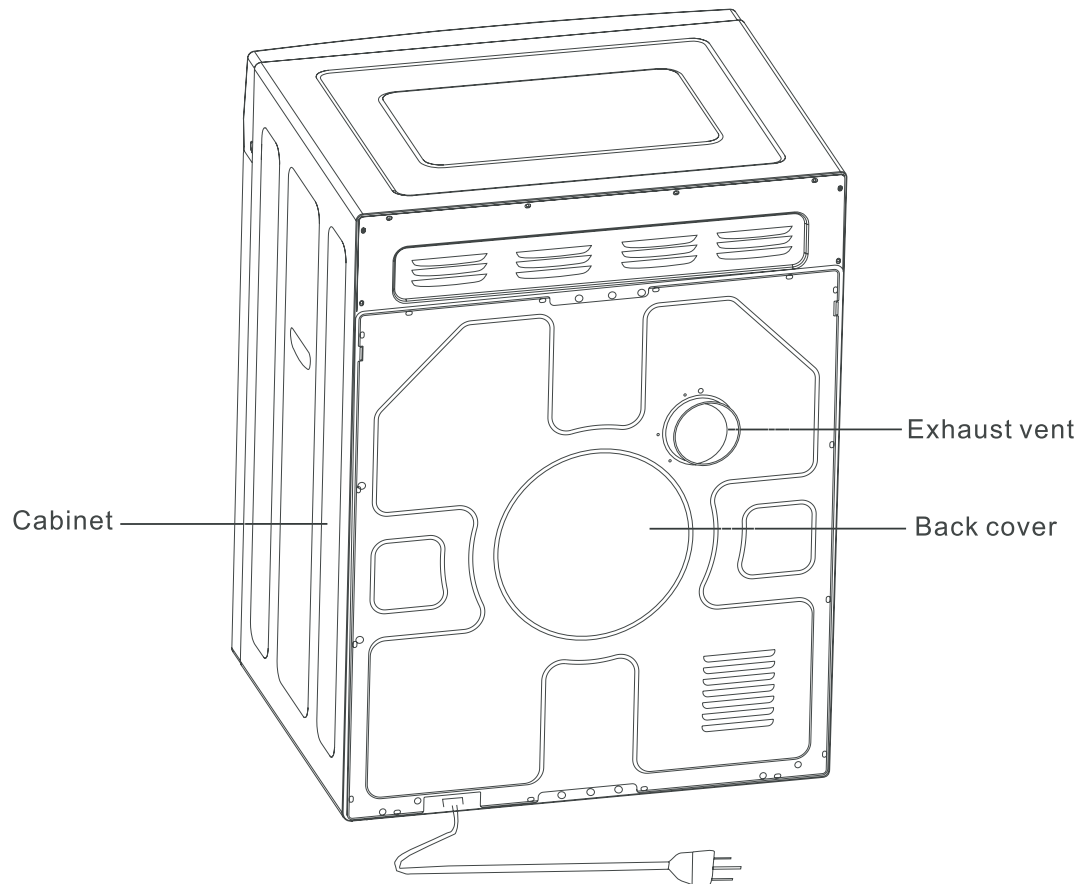
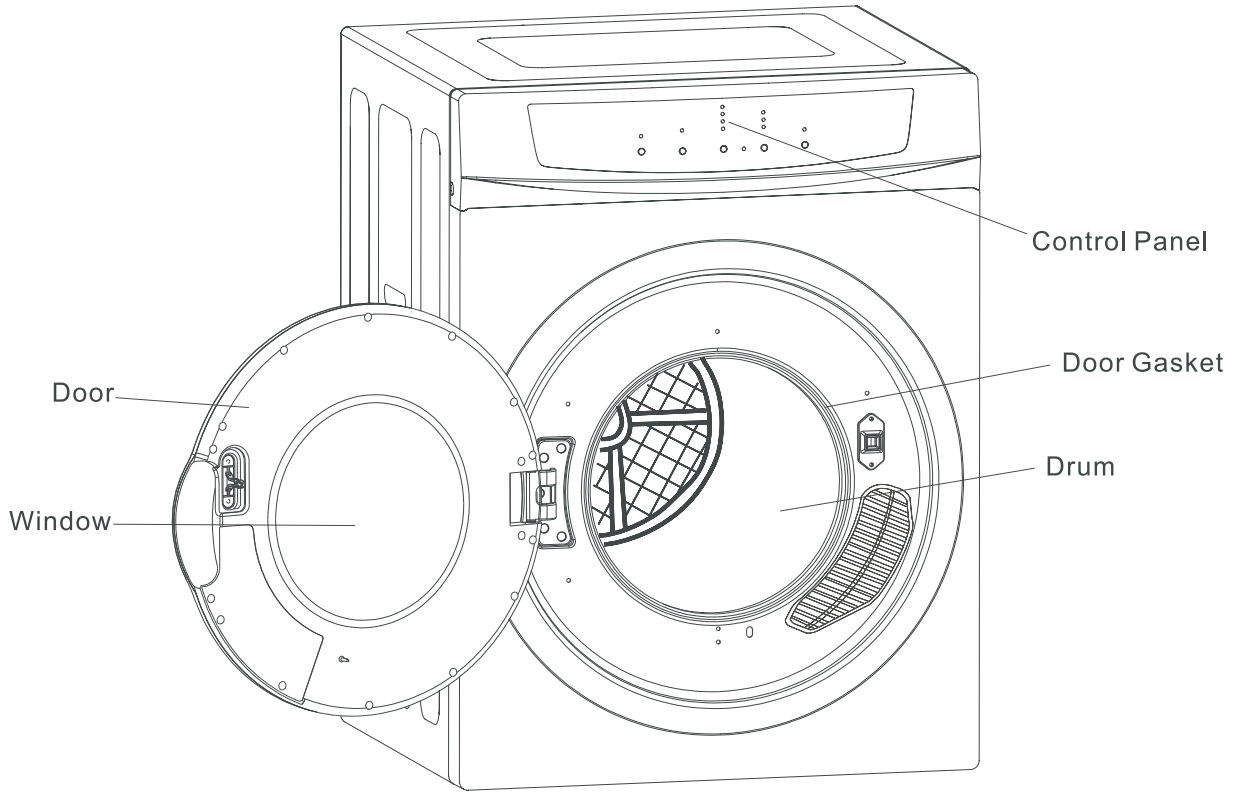
- For appliances with ventilation openings in the base, a carpet must not obstruct the openings.
- Exhaust air must not be discharged into a flue which is used for exhausting fumes from appliances burning gas or other fuels.

**NOTE** This instruction is not required if the tumble dryer discharges the air into the room.

- The appliance must not be installed behind a locked door, a sliding door or a door with a hinge on the opposite side to that of the tumble dryer, in such a way that a full opening of the tumble dryer door is restricted.

*Save These Instructions*

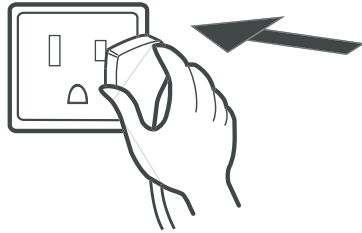
# Name of the Components



# Operating your dryer

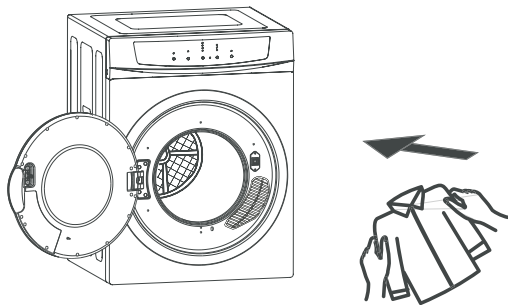
## Electrical Requirements

The unit is required to be plugged into a 110 V three pin socket that is reliably grounded. Plug the power cord into the socket.



## Loading the dryer

It is recommended that items are placed into the dryer one at a time. This ensures they are not tangled which results in uneven drying. When closing the dryer door prior to starting the unit ensure that items are not jammed in the door.

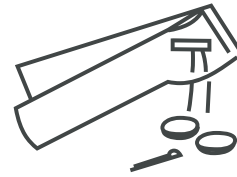


## Tips before drying

Prior to loading the dryer check that the items do not have the following symbols anywhere on them. If they do, do not tumble dry these items.



- Check the items to be dried do not have combustible materials or foreign objects within them i.e.: lighters, hair pins, coins.



- Turn items with zippers inside out and fasten buckles.



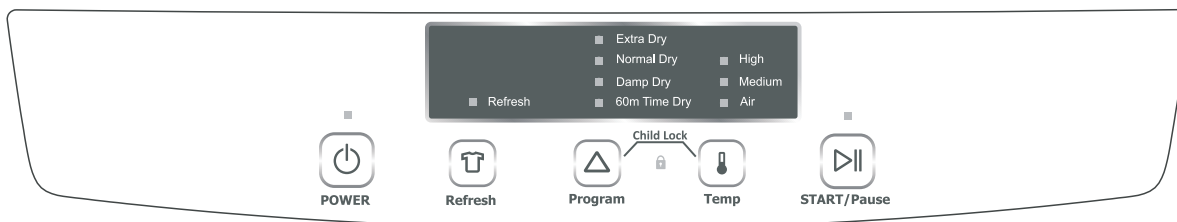
- Dryer heat may permanently set stains, ensure you check prior to drying that stains are removed
- Separate dark and light colored items as you would do when washing.
- For best results load the dryer with similar fabrics. Place small delicate items in a mesh bag and do not overload the dryer.
- The maximum mass is 13 lbs of dry textile material for the dryer and do not overload. The tumble dryer is intended only for drying textile material washed in water.

## Drying time reference table

Drying Capacity	Dry time	
	Regular	Airing
Approx. 4 lbs	Approx. 60min	Approx. 90min
Approx. 7 lbs	Approx. 90min	Approx. 150min
Approx. 9 lbs	Approx. 150min	
Approx. 13 lbs	Approx. 200min	

Drying times can be affected by many factors, such as material, bulkiness, how full the dryer is etc. The above list is only a guide only.

# Control Panel Functions



## POWER Button

Press this button to power on or off the dryer.

When you are done using the dryer, the light will still be on. Please push this button to turn off the power.

## Refresh Button

Press this button when you want to fluff clothes.

This function can be operated after the drying procedure ends. It runs for 10mins.

## Program Button

Press the program button to cycle through the options.

- a) **Extra Dry:** Sensor Dry. It automatically identifies whether the clothes are dry or not (humidity  $\leq 35\%$ ). If they are dry, it stops heating and runs a 10 min air cooling. The dryer then stops running.
- b) **Normal Dry:** Sensor Dry. It automatically identifies whether the clothes are dry or not (humidity  $\leq 40\%$ ). If they are dry, it stops heating and runs a 10 min air cooling. The dryer then stops running.
- c) **Damp Dry:** Sensor Dry. It automatically identifies whether the clothes are dry or not (humidity  $\leq 45\%$ ). If they are dry, it stops heating and runs a 10 min air cooling. The dryer then stops running.
- d) **60m Time Dry:** The dryer runs for a fixed 60 min, heating under full power for 50 min and runs a 10 min air cooling  
Note: During this program, “temp” feature is deactivated.

## Temp Button

Press this button to cycle through the temp options.

- a) **High:** full power heating.
- b) **Medium:** the dryer alternatively works between full and half power in 10 min cycles.
- c) **Air:** no heat - air circulation only.

## START/Pause Button

Press this button to start or pause the dryer operation.

If the door is opened during operation, close the door and push this button to restart the dryer.

Push “Pause” button to change the program, then push “start” to restart a new program.

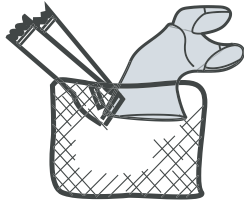
## Child Lock

Push “Program” and “Temp” at the same time for 3 seconds until “Child lock” light comes on and the program is locked. All other buttons are locked. Push “program” and “temp” at the same time for 3 seconds to unlock.



# Operation Precautions

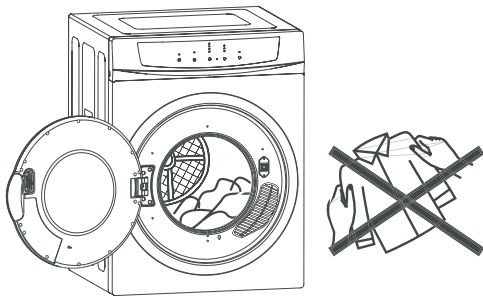
Delicate items should be placed in a nylon net bag prior to drying. It is not recommended to dry underwire bras in this unit.



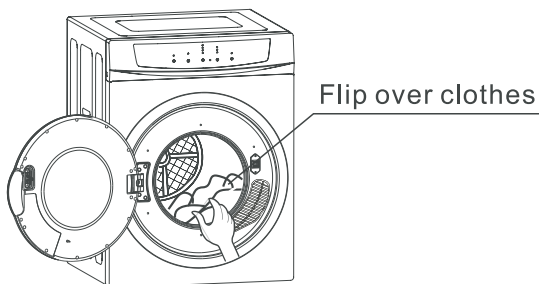
Ensure that foreign objects do not find their way into the dryer. All pockets should be emptied, buttons, buckles and zips fastened. This will also help reduce impact noise when the items hit against the turning drum.



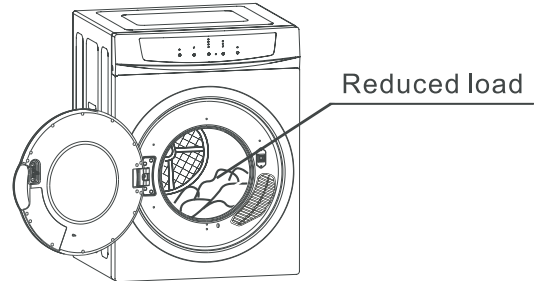
Do not add items into the dryer while it is in operation.



If drying large items such as a blanket, it is recommended that from time to time you open the dryer door, shake the item, place the item back in the dryer and close the door. This will ensure even drying



To ensure you get the most out of the wrinkle guard function do not overload the dryer. Remove the dried items from the dryer immediately and hang on coat hangers. Iron the items if desired.



To minimize the risk of fire in a tumble dryer, the following should be observed:

- Items that have been spotted or soaked with vegetable or cooking oil constitute a fire hazard and should not be placed in a tumble dryer.
- Oil-affected items can ignite spontaneously, especially when exposed to heat sources such as in a tumble dryer. The items become warm, causing an oxidation reaction in the oil. Oxidation creates heat. If the heat cannot escape, the items can become hot enough to catch fire. Piling, stacking or storing oil-affected items can prevent heat from escaping and so create a fire hazard.

- If it is unavoidable for fabrics to contain vegetable or cooking oil or have been contaminated by hair care products be placed in a tumble dryer they should first be washed in hot water with extra detergent. This will reduce the hazard but not eliminate it.
- The 'cool down' cycle of tumble dryers should be used to reduce the temperature of the items. They should not be removed from the tumble dryer or piled or slacked while hot.
- Items that have been previously cleaned in, washed in, soaked in or spotted with petrol/gasoline, dry-cleaning solvents or other flammable or explosive substances should not be placed in the tumble dryer.
- Highly flammable substances commonly used in domestic environments include acetone, denatured alcohol, petrol/gasoline, kerosene, spot removers(some brands), turpentine, waxes and wax removers should not be present in the clothes.
- Items containing foam rubber (also known as latex foam) or similarly textured rubber, like materials should not be dried in a tumble dryer on a heat setting.
- Foam rubber materials can produce fire by spontaneous combustion when heated.
- Fabric softeners or similar products should not be used in a tumble dryer to eliminate the effects of static electricity unless this practice is specifically recommended by the manufacturer of the fabric softener or product.
- Undergarments that contain metal reinforcements should not be placed in the tumble dryer.
- Damage to the tumble dryer can result if metal reinforcements come loose during drying. When available a drying rack could be used for such items.
- Plastic articles such as shower caps or babies' waterproof napkin covers should not be placed in the tumble dryer.
- Rubber-backed articles, clothes fitted with foam rubber pads, pillows, galoshes and rubber-coated tennis shoes should not be placed in the tumble dryer.

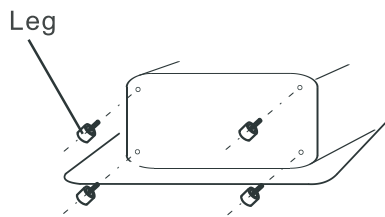
# Installation Instructions

## THIS DRYER CAN NOT BE USED UPSIDE DOWN WHERE TO PLACE YOUR DRYER ?

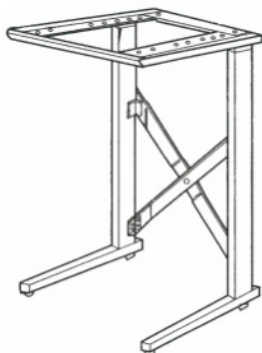
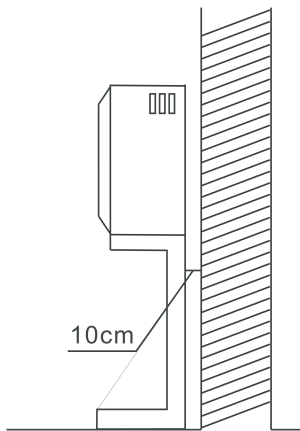
Place the dryer in a dry well ventilated area. It should be positioned away from heat and direct sunlight.

If the dryer is not wall mounted, or stacked on a dryer it must be placed on firm horizontal ground. Do not place the dryer on carpet as this will block the intake. There should be at least 3.9" between the dryer and the wall.

The dryer comes with fixed legs that need to be assembled to ensure stability



If the dryer is rack mounted. A secure bracket is required to ensure stability and prevent vibration. At least 10cm between the dryer and walls is required (The bracket is not included).



**Bracket**

# Wall Mounting Instructions

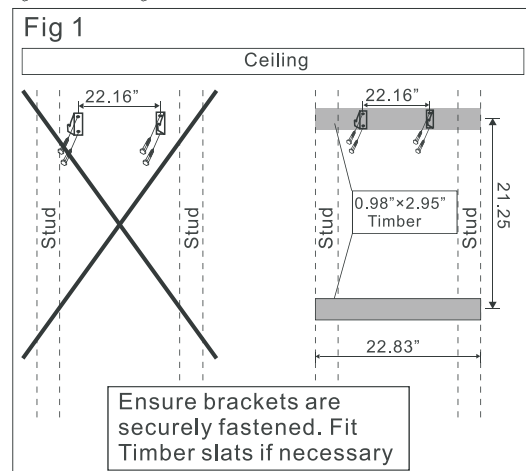
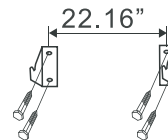
1. Determine the dryer position on wall and mark required bracket positions. This dryer is not suitable to be directly placed on top of a washing machine.

- \* A minimum 1.96" is needed between the top of the dryer and the ceiling for ease of installation.
- \* If mounting above a washing machine, allow sufficient room to open the lid of the washer.

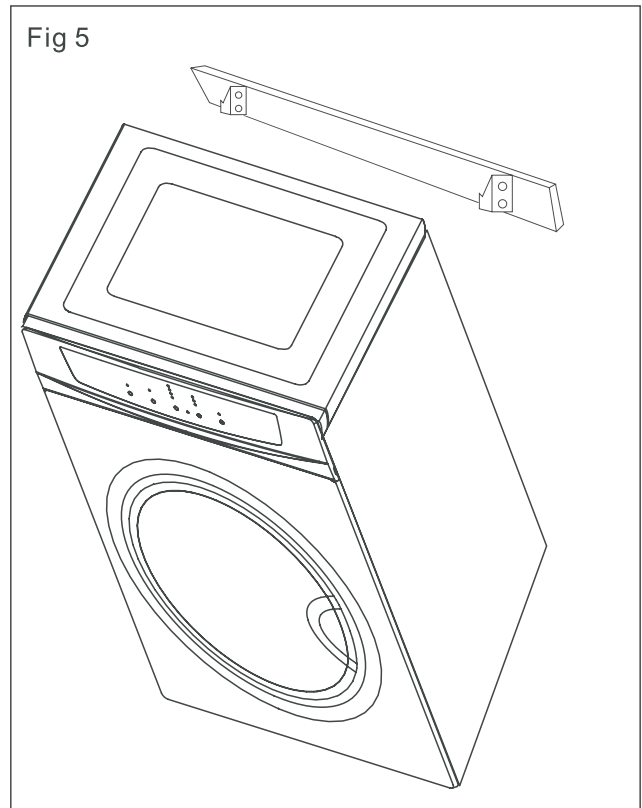
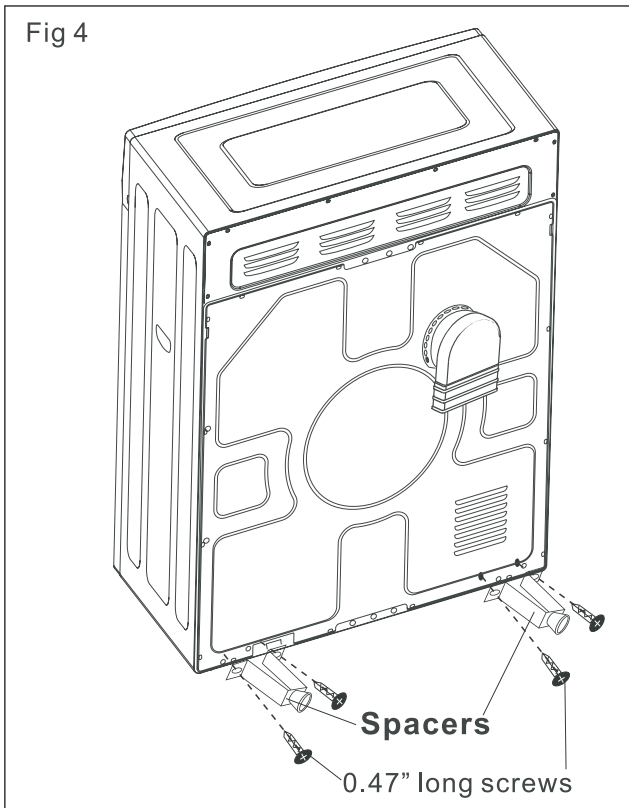
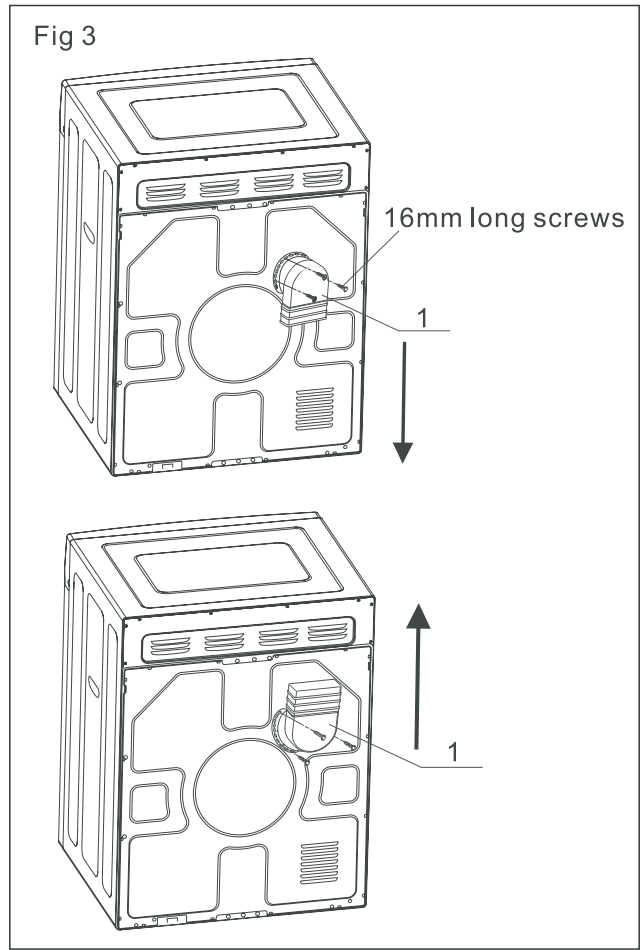
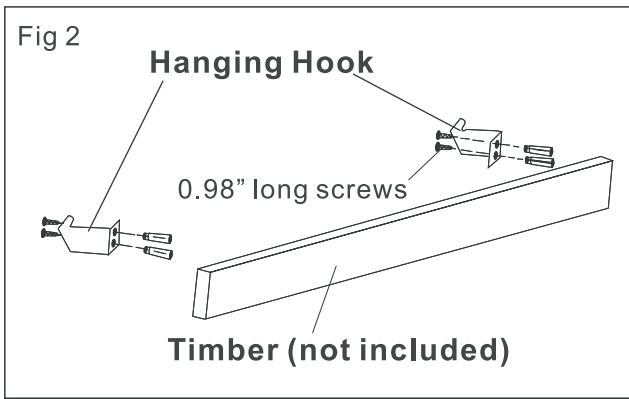
Tools Required		
Tools & parts required for plaster/ wooden wall	Drill & 0.11" Bit	1
	Philips Head screw Driver	1
	Wood Screws, $\Phi 0.47"$ x 1.96" Timber screws	4
	Helper to lift dryer onto wall	1

Wall Mounting Kit Includes			
Description	Hanging brackets		2
	Plastic spacers		2
	Exhaust connector		1
	0.47" Long Screws		4
	0.98" Long Screws		4
	0.62" Long Screws		3

2. Fix the wall hanging brackets (2 supplied) to the wall securely (e.g. into the stud.) Fit a timber slat between the studs to mount the brackets if the stud position is too wide.



3. To install the hanging hook to wood, start at Fig 2.
4. Align hanging hooks and fasten screws tightly.
5. Install exhaust pipe: Adjust the direction of the exhaust outlet (1) as shown in Fig 3.
6. Using 0.11" x 0.62" mm screws (provided) to fix the outlet in place firmly.
7. Using 0.15" x 0.47" screws (provided) to fix the 2 spacers as per Fig 4.
8. With assistance, mount dryer on wall bracket See Fig 5.



## ***Additional Legs for the Dryer***

Side by side (non stacking) applications only



An additional set of legs for the dryer are also included in the package to increase its height when stacked next to our Washer so that both the units look equal in height.

It can also be used to increase the height to reduce bending.

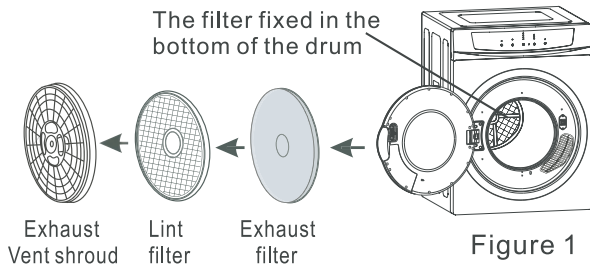
# Maintenance

## 1. Cleaning the Lint Filter

Please unplug the power cord prior to any cleaning. The lint filter must be in place whenever drying. It must be cleaned before each use.

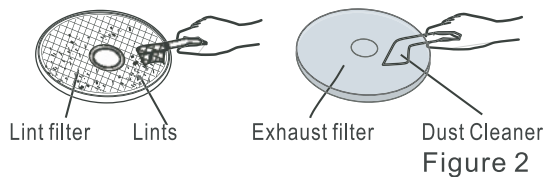
### Removing the filters

Remove by pulling outwards with fingers, inserted into the four holes around the exhaust vent shroud. The filter is in 3 parts: Exhaust vent shroud, lint filter and exhaust filter (as shown in figure 1)



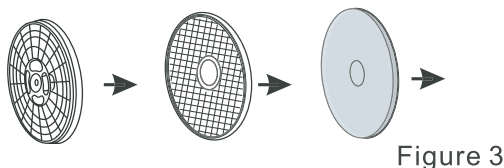
### Cleaning the filter

Separate "exhaust vent shroud", "lint filter" and "exhaust filter". Clean the lint on the lint filter and exhaust filter with a soft brush or vacuum cleaner. Do not damage the filters (as shown in figure 2).



### Re-installing the filter

After cleaning, assemble in the sequence of "exhaust filter - lint filter - exhaust vent shroud", align the recesses in the center with the projection in the center of the drum. Make sure that it is firmly inserted (as shown in figure 3).

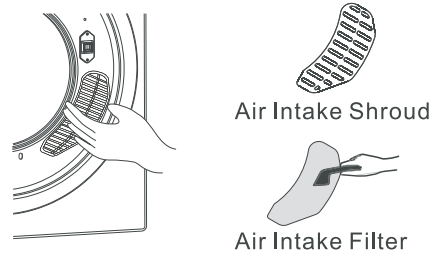


**Note: The filter fixed in the bottom of the drum should also be cleaned with a soft brush.**

## 2. Cleaning of the Air Intake Filter

The filter should be cleaned once a month.

Remove by pulling outwards holding the upper and lower ends of the air intake shroud. Remove the filter inside the shroud and clean it with a soft brush. Reassemble and install as before.



Slightly push upwards with your thumb until the latch hook disconnects, then remove.

### Cleaning the interior & exterior of the Dryer

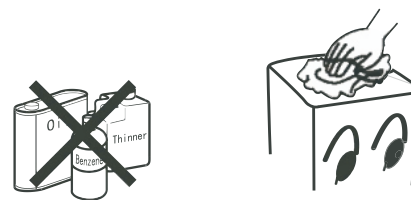
Do not wash directly with water.

Do not use thinner, gasoline or alcohol.

Do not use any type of spray cleaner when cleaning the interior. If dryer drum becomes stained, clean the drum with a damp cloth.

Remove any residue before drying the next load.

Clean cabinet with mild soap and water. Do not use harsh or abrasive cleaners, this could damage the dryer.



**WARNING: Regularly clean the lint trap**



#### CAUTION! HOT SURFACE

- Do not touch the intake during the drying cycle due to high temperatures

READ THE INSTRUCTIONS

To purchase the accessories log on to [www.ApplianceDesk.com](http://www.ApplianceDesk.com)



# Troubleshooting

If your clothes dryer has a problem or is not working properly or you think it should work better, use the list below to identify and solve any problems. If you still cannot solve the problem, contact our after sales support line. Do not attempt to dismantle or repair the dryer yourself.

Problem	Possible Cause	Solution
There is no response when pressing buttons.	<ul style="list-style-type: none"> <li>● Is the power plug inserted firmly into the wall socket?</li> </ul>	<ul style="list-style-type: none"> <li>● Insert the power plug firmly.</li> </ul>
The drum does not turn.	<ul style="list-style-type: none"> <li>● Is the door closed?</li> <li>● Is the power plug firmly inserted?</li> <li>● Does the socket have power?</li> </ul>	<ul style="list-style-type: none"> <li>● Close the door.</li> <li>● Insert the power plug firmly.</li> <li>● If power is switched on at the wall socket, check the socket with another appliance.</li> </ul>
Hot air is not blowing out.	<ul style="list-style-type: none"> <li>● Is the temperature incorrectly set to airing?</li> </ul>	<ul style="list-style-type: none"> <li>● Set the temperature to Half or Regular heat.</li> </ul>
The laundry is not thoroughly dried.	<ul style="list-style-type: none"> <li>● Are the front and back filters clogged?</li> <li>● Is there too much laundry in the dryer?</li> <li>● Have items been added while the dryer is in operation?</li> <li>● Has the laundry become twisted while drying?</li> <li>● Has the dryer been placed in a small and badly ventilated area?</li> </ul>	<ul style="list-style-type: none"> <li>● Check and clean the filter.</li> <li>● Reduce the amount in the dryer.</li> <li>● Re-dry the items again.</li> <li>● Untwist the items and re-dry.</li> <li>● Place the dryer in a well-vented area.</li> </ul>
The dryer does not start.	<ul style="list-style-type: none"> <li>● Is there a power failure?</li> <li>● Is the power cord inserted firmly?</li> <li>● Is the door closed?</li> </ul>	<ul style="list-style-type: none"> <li>● Try again when there is power.</li> <li>● Insert the power cord firmly.</li> <li>● Close the door.</li> </ul>

## Dryer Technical Specifications

<b>Model</b>	<b>860</b>
<b>Drying Capacity</b>	<b>13 lbs</b>
<b>Voltage</b>	<b>120V~ 60Hz</b>
<b>Rated Input</b>	<b>1500 W</b>
<b>Net Weight</b>	<b>55 lbs</b>
<b>Dimensions (HxWxD)</b>	<b>32.2 x 23.6 x 21.4 inch</b>

**NOTE: Consistent with our continuing product development policy, improvements may have been made which render the contents of this package slightly different to that shown.**