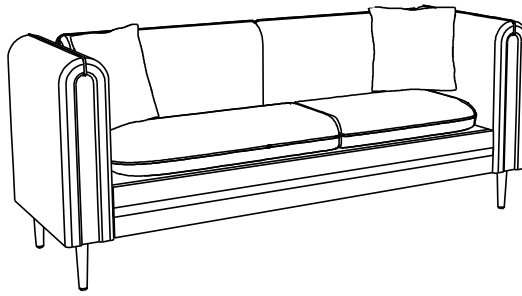


ASSEMBLY INSTRUCTION

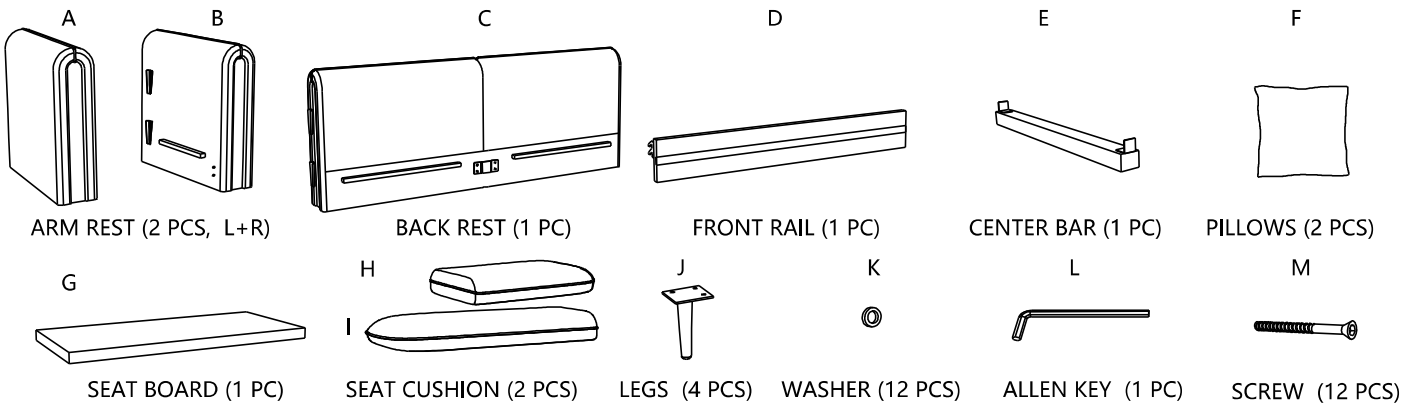


PARTS LIST

All parts are packed in 2 cartons.

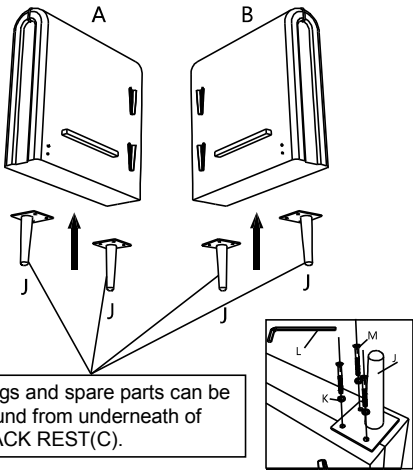
Carton 1/2 Content: Part C,D,E,F,G,H,I,J,K,L,M (Part J,K,L,M are packed in the underneath of Part C).

Carton 2/2 Content: Part A and B.

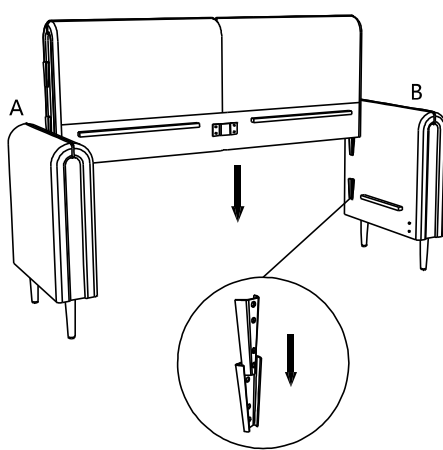


ASSEMBLY

STEP 1

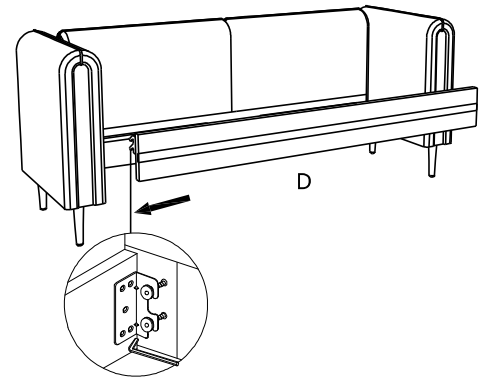


STEP 2

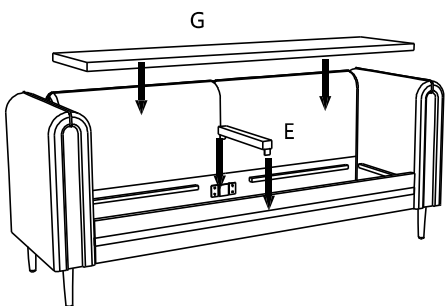


STEP 3

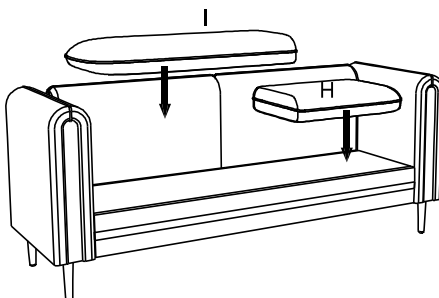
Slightly loose the 4 screws on (A&B) armrest, hook on front rail (D), and tighten all screws.



STEP 4



STEP 5



STEP 6

The Pillows are packed in Vacuum Compressed, please make them loose after taking out of package.

