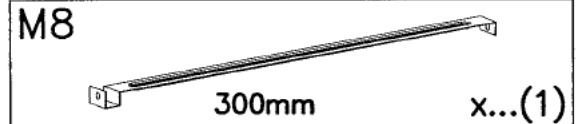
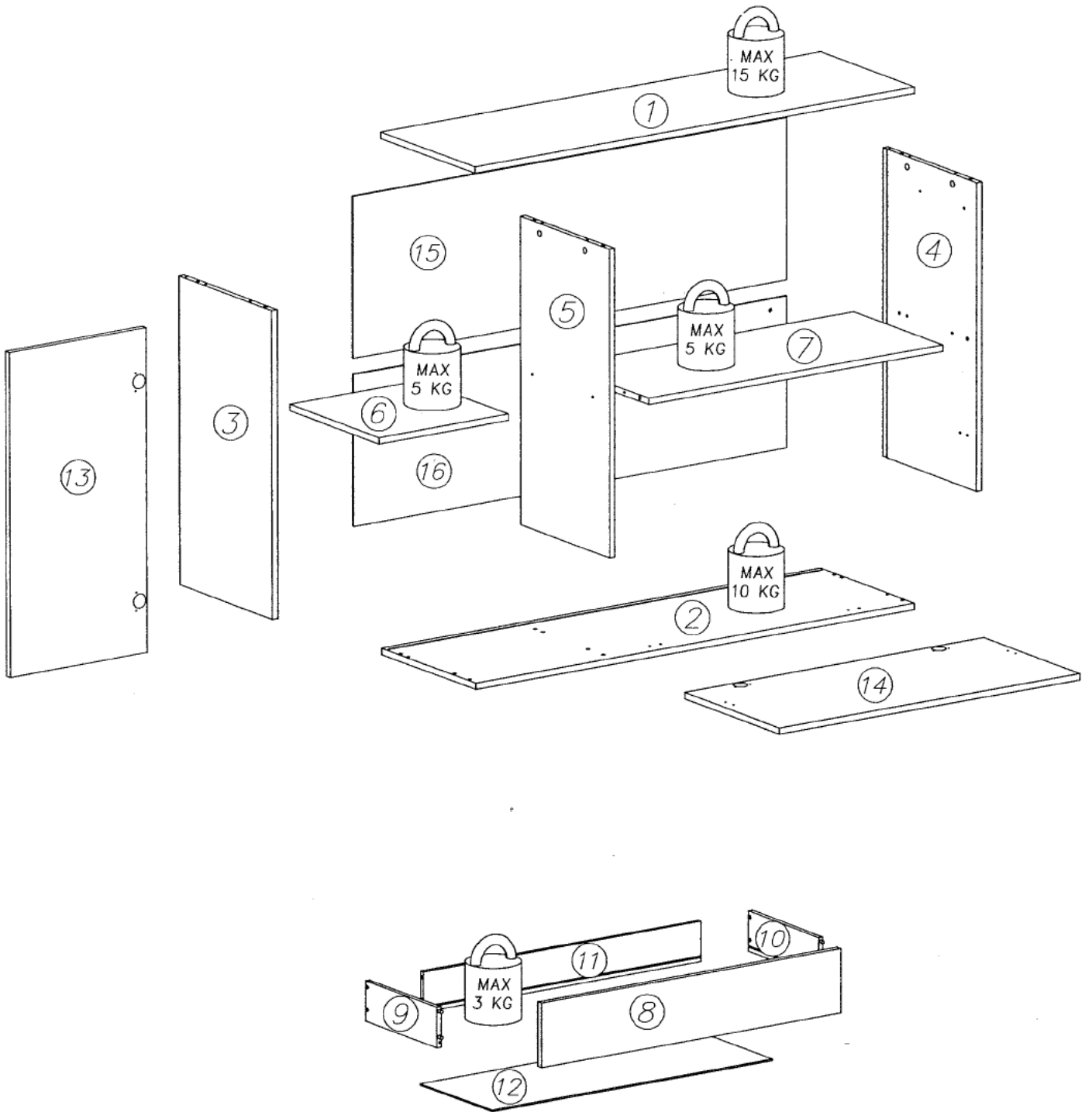
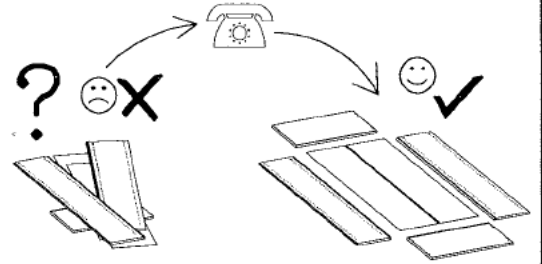
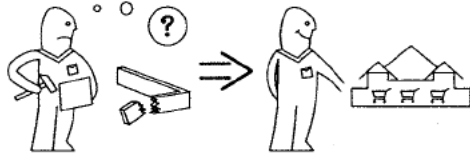
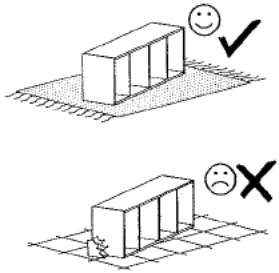


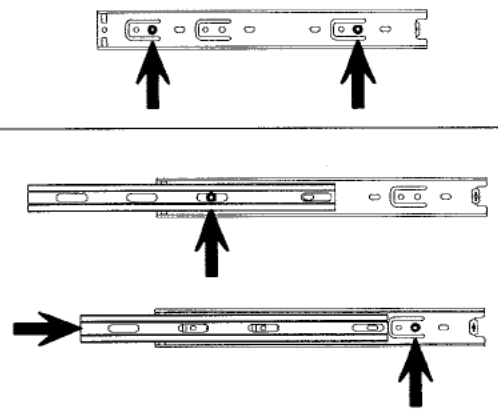
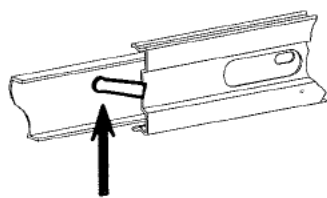
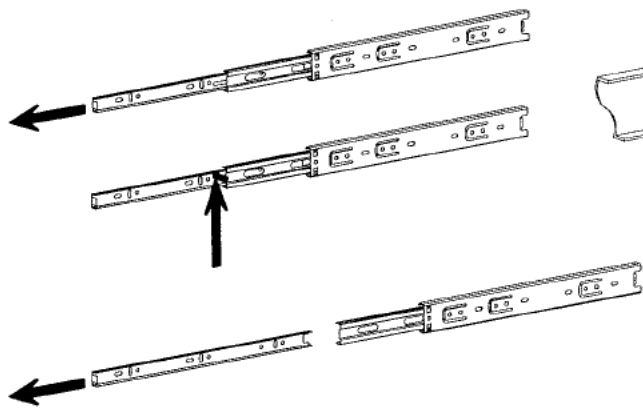
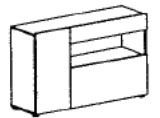
nr	L[mm]	B[mm]	T[mm]	Menge	Coili
1	1300	396	16	1	2/2
2	1300	396	16	1	2/2
3	768	396	16	1	1/2
4	768	396	16	1	1/2
5	768	376	16	1	1/2
6	380	328	16	2	1/2
7	871	376	16	1	2/2
8	889	160	16	1	1/2

nr	L[mm]	B[mm]	T[mm]	Menge	Coili
9	300	100	12	1	1/2
10	300	100	12	1	1/2
11	821	100	12	1	1/2
12	831	301	3	1	1/2
13	807	402	16	1	1/2
14	889	402	16	1	1/2
15	1279	403	3	1	2/2
16	1279	377	3	1	2/2

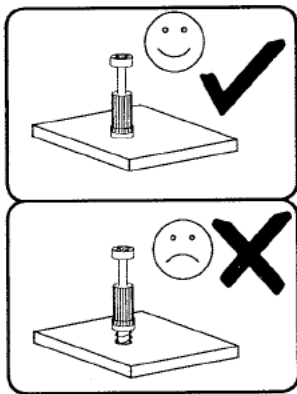
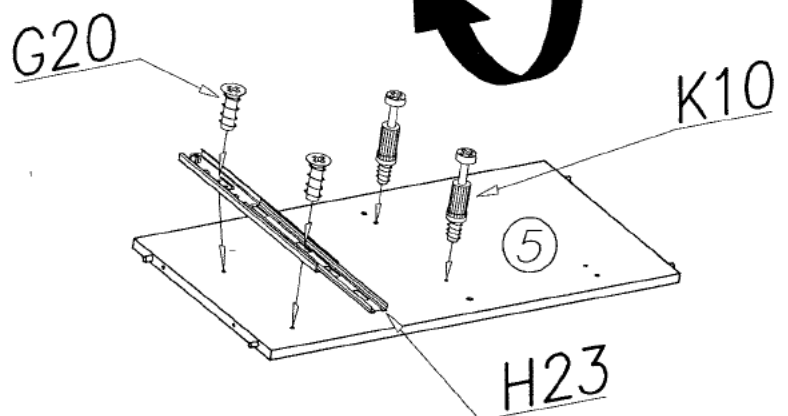
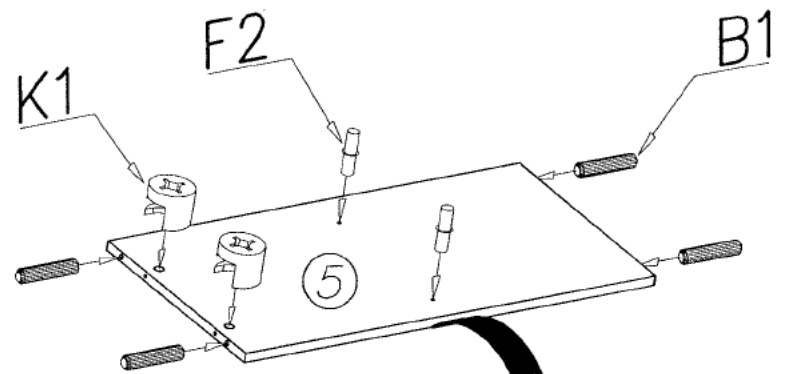
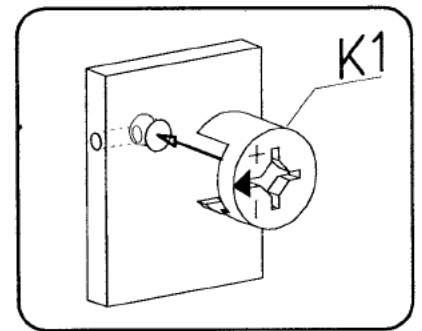
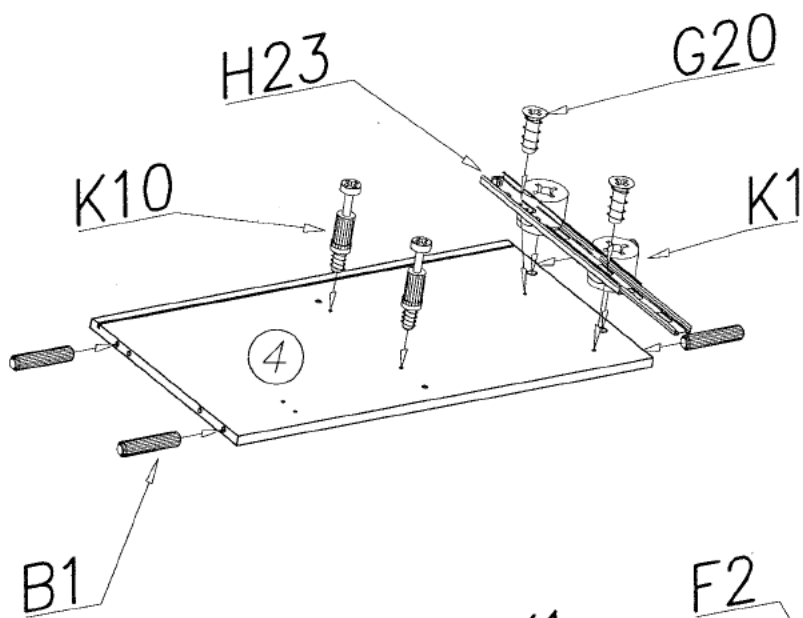


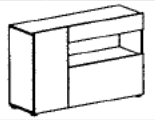
<b>L6</b>  x...(2)	<b>G20</b>  5x13 x...(8)	<b>W2</b>  x...(1)	<b>A1</b>  ø7x50 x...(6)	<b>A6</b>  ø7x40 x...(4)
	<b>G28</b>  4x60 x...(1)	<b>U6</b>  ø8x40 x...(1)	<b>M11</b>  x...(1)	<b>F2</b>  x...(4)
<b>H23</b>  H35-300mm x...(1)	<b>G34</b>  3,5x16 x...(32)	<b>S2</b>  x...(8)	<b>P20</b>  x...(5)	<b>G12</b>  4x25 x...(5)
	<b>B1</b>  ø8x35 x...(16)	<b>S1</b>  379mm x...(1)	<b>I1</b>  x...(6)	<b>W1</b>  GLUE, LEIM, LEPIDLO, LIM x...(1)
<b>K10</b>  x...(10)	<b>K1</b>  ø15x12 x...(10)	<b>C3</b>  Z35PR x...(4)	<b>D3</b>  PZ35PR x...(4)	<b>I7</b>  x...(10)



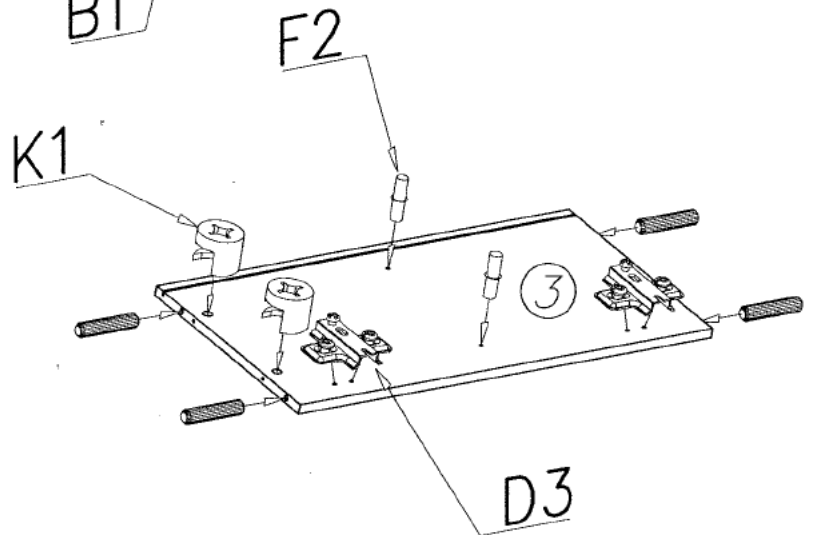
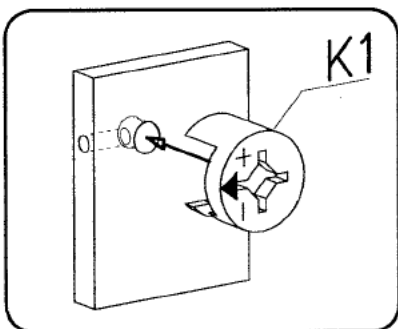
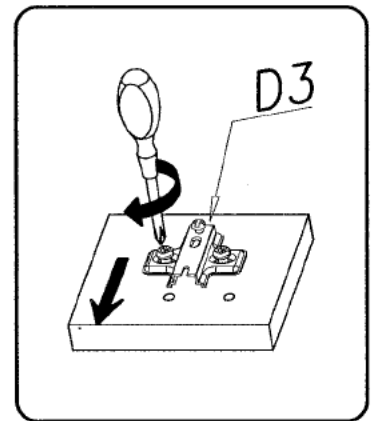
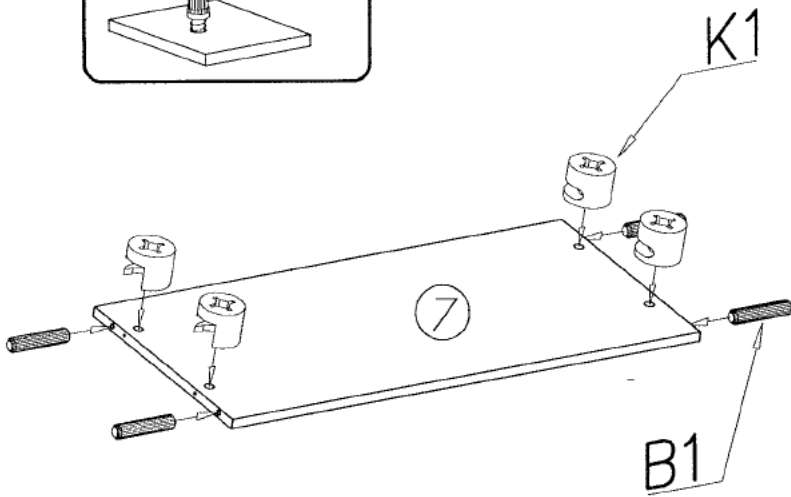
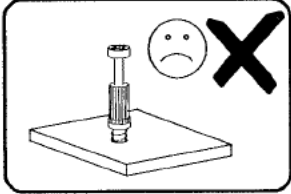
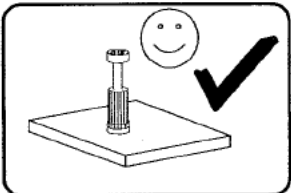
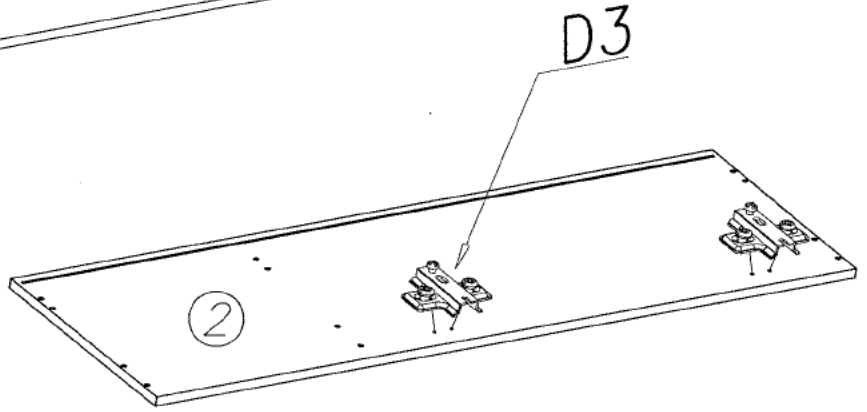
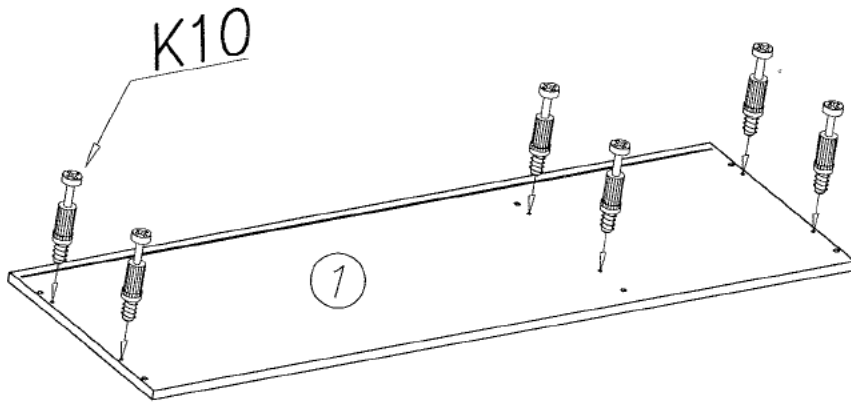


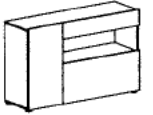
I



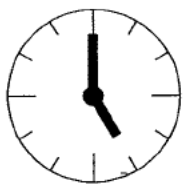
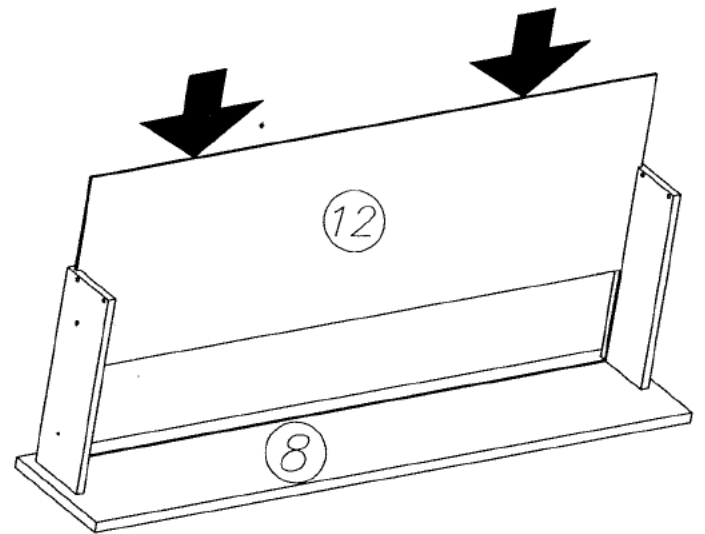
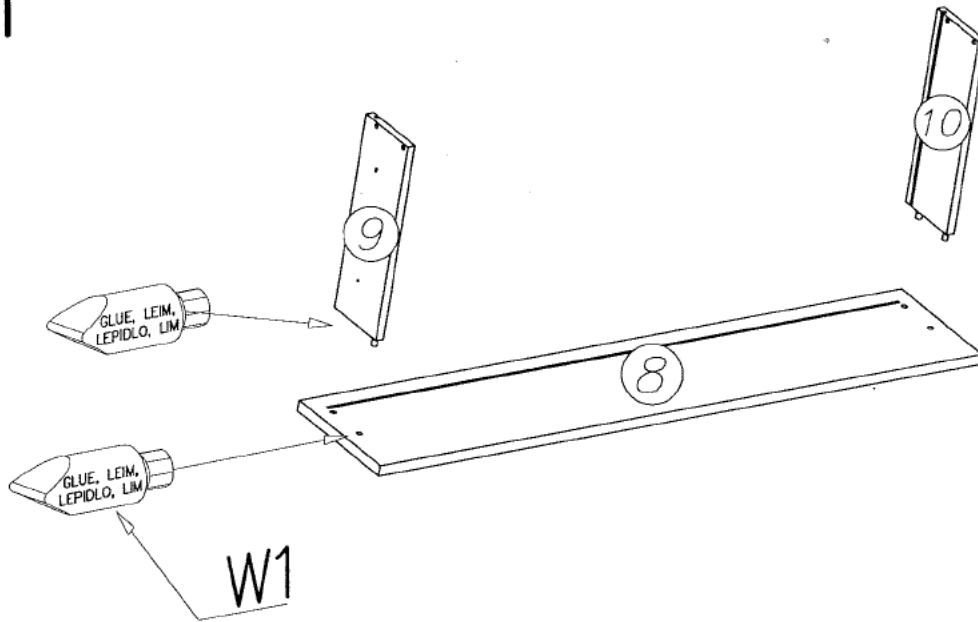


II

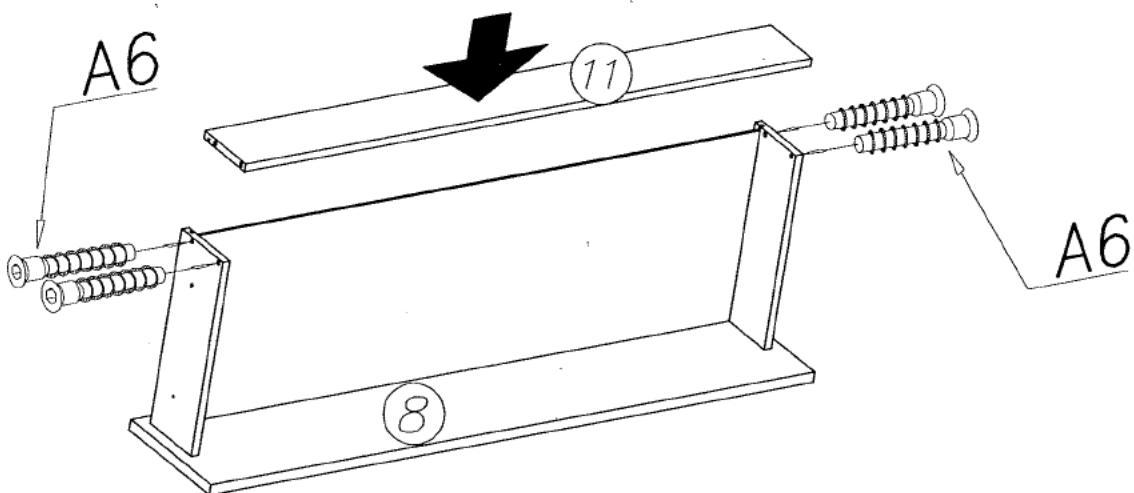


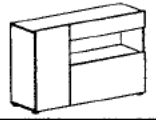


III

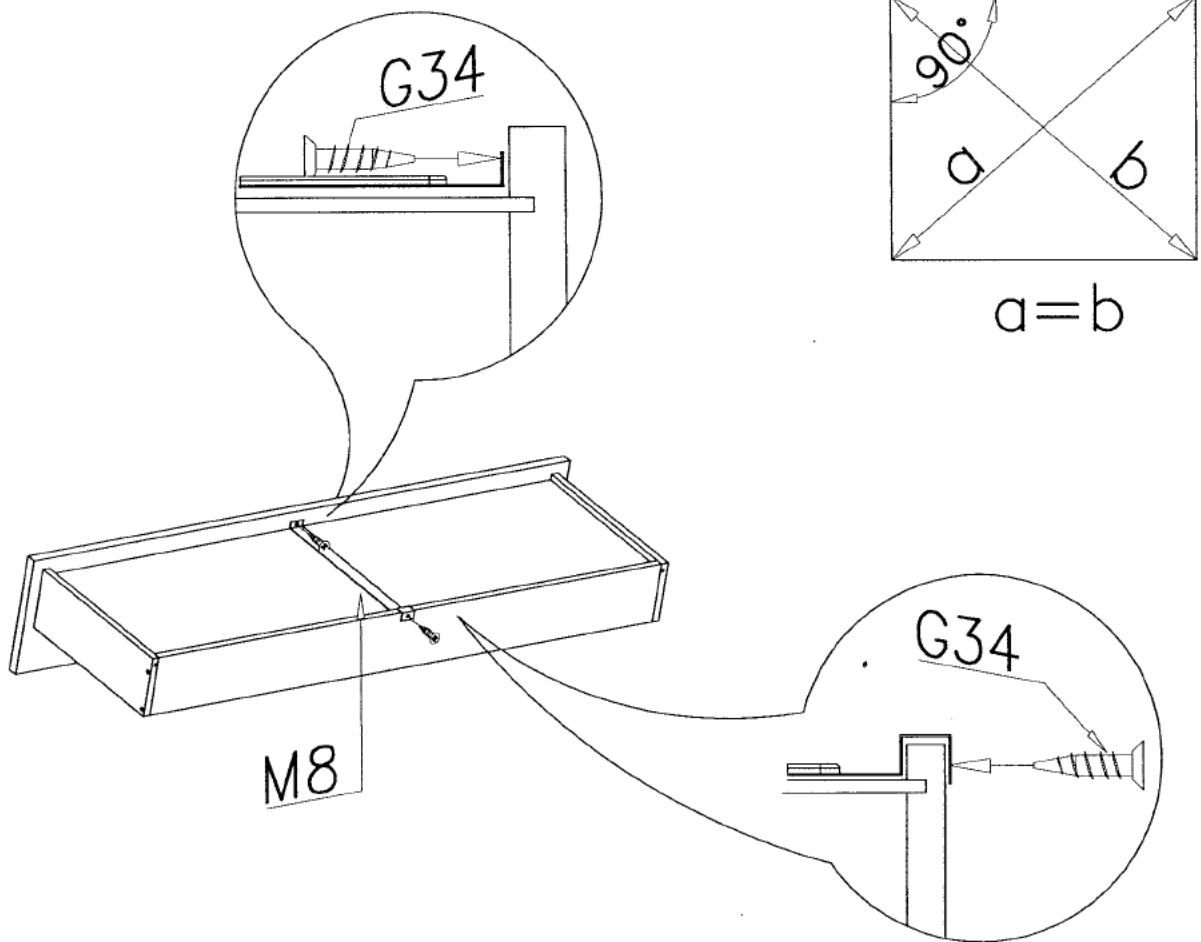


0,5h

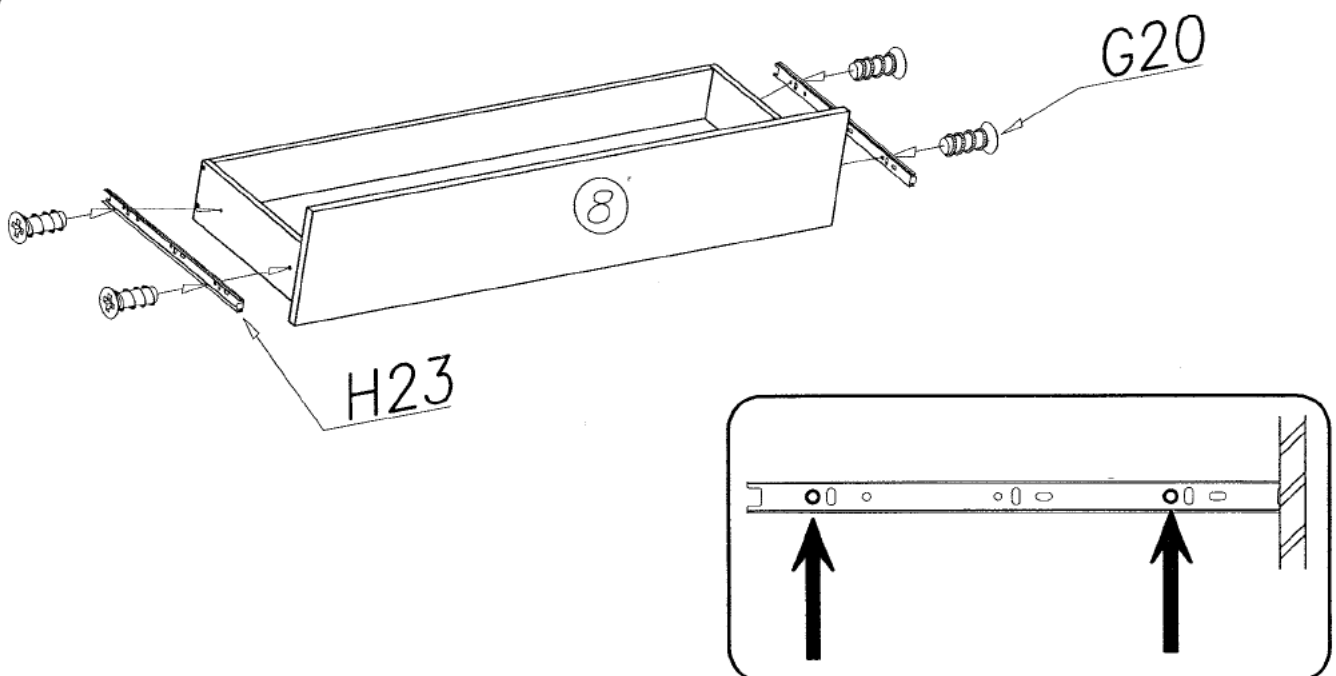


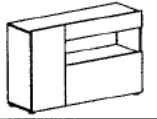


## IV

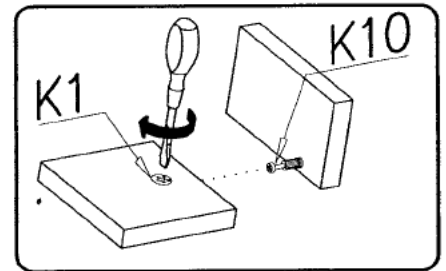
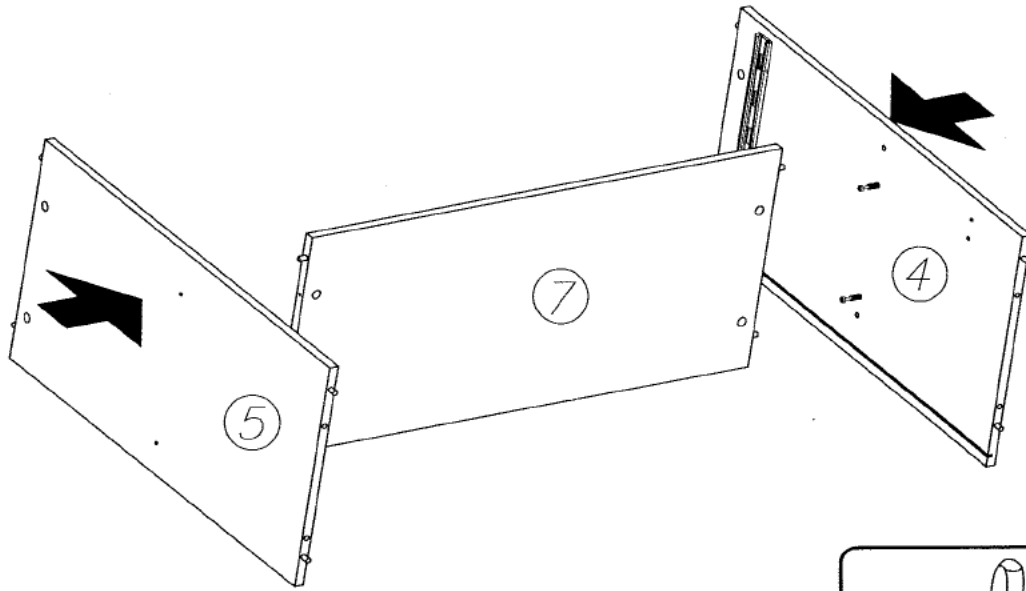


## V

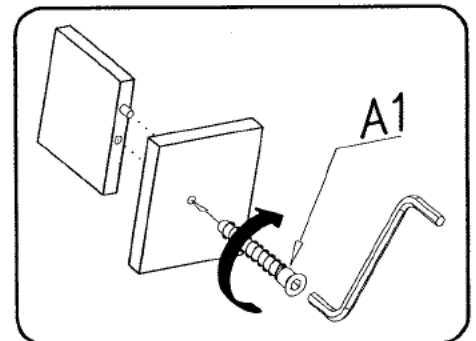
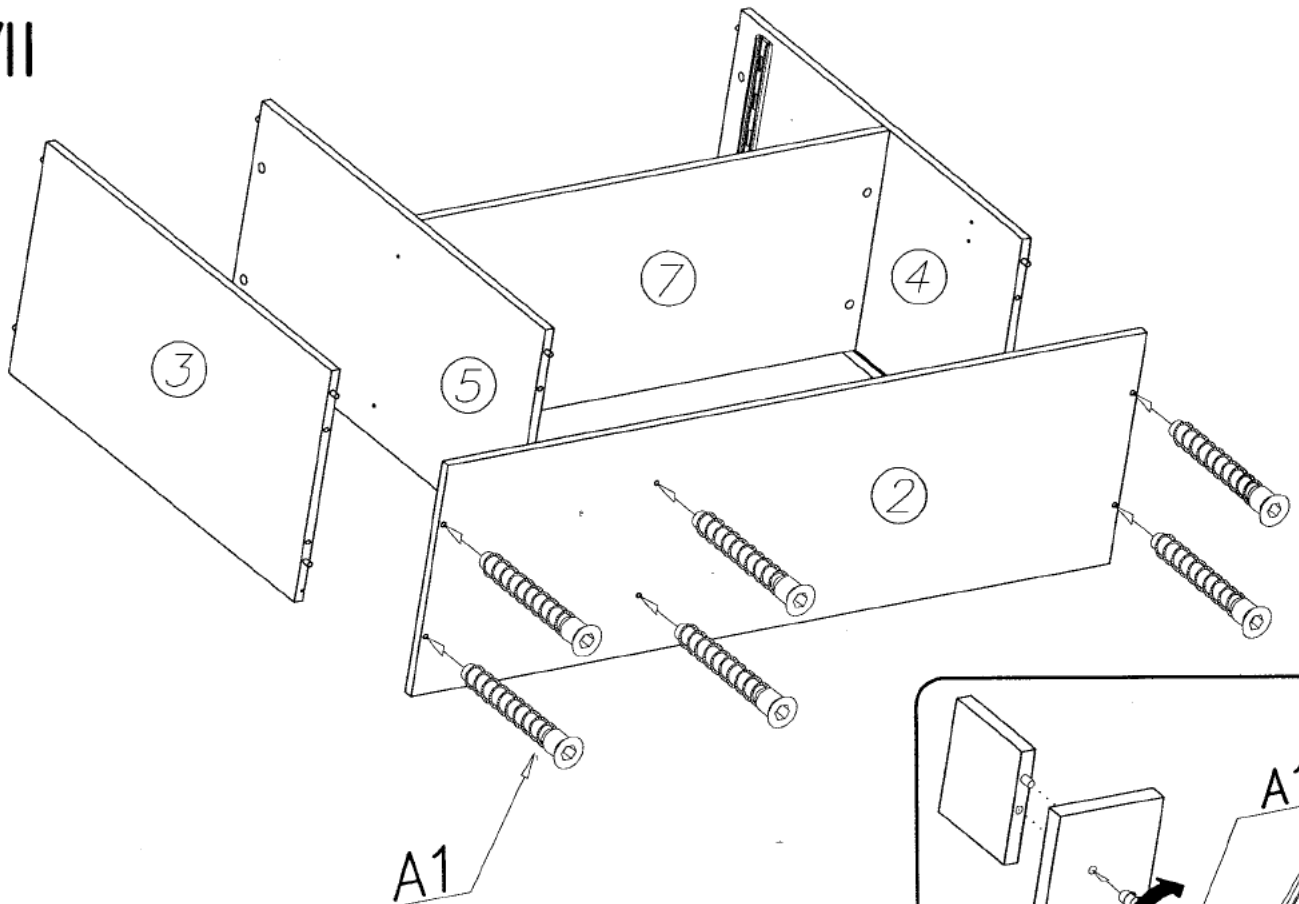


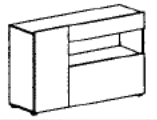


VI

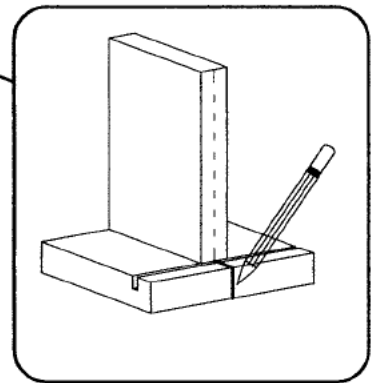
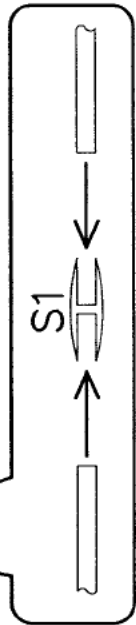
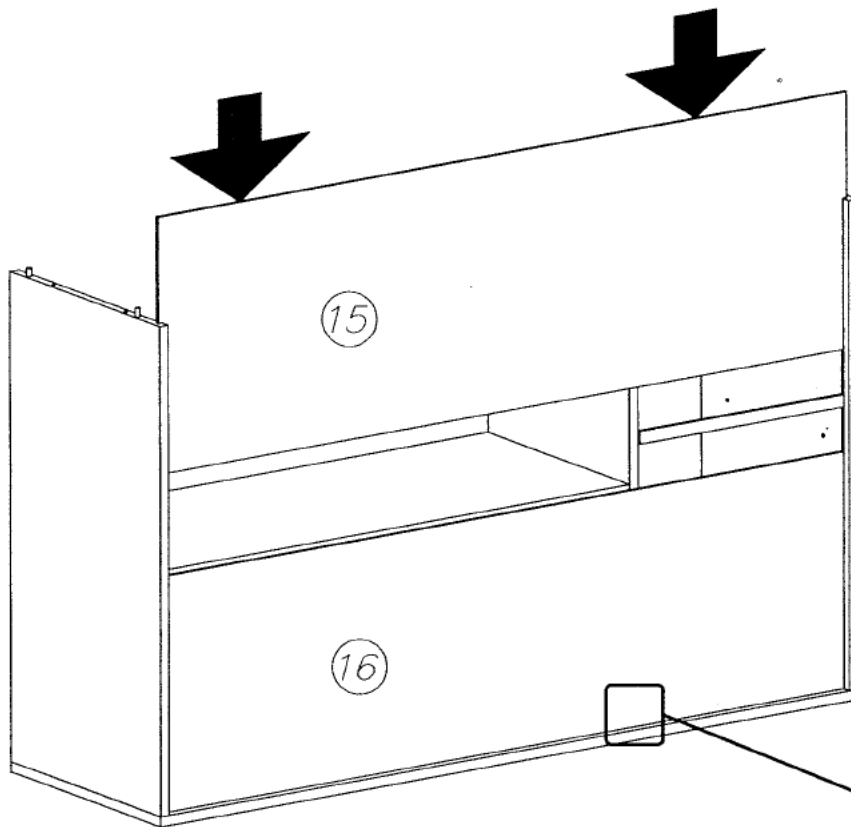


VII

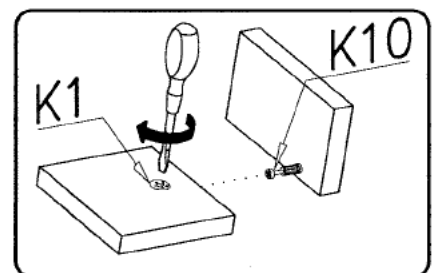
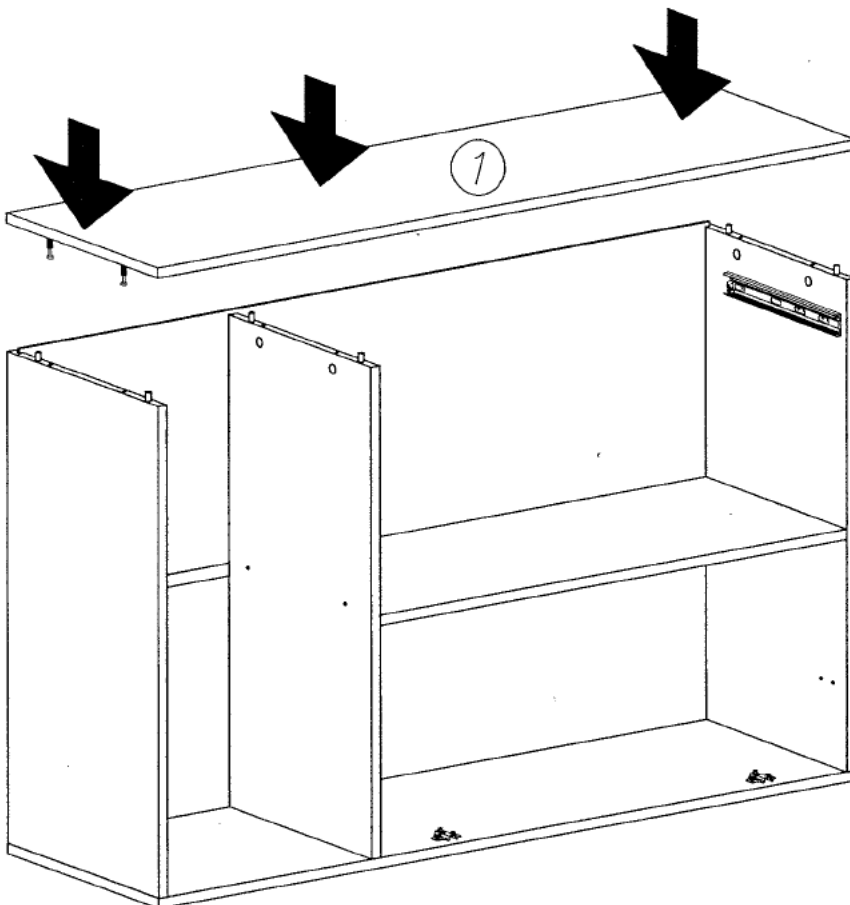


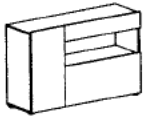


# VIII

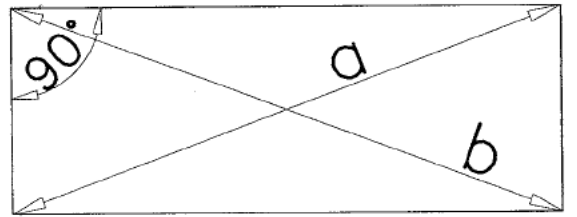
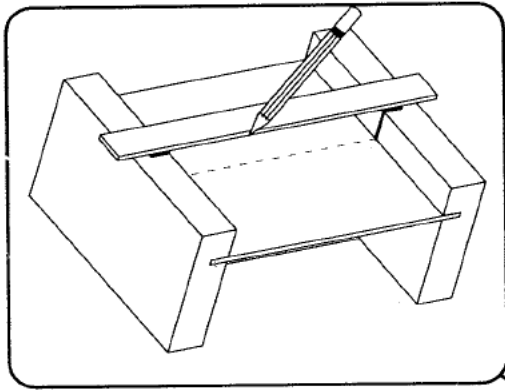


# IX





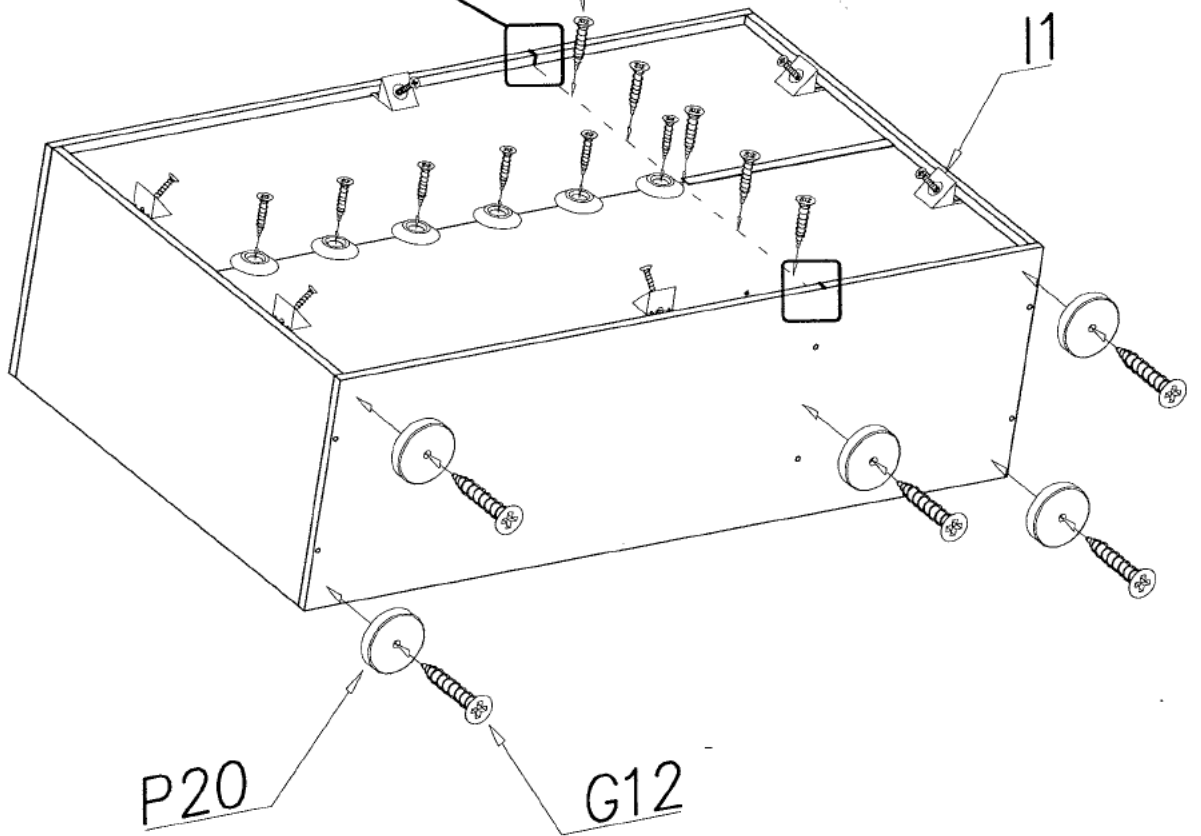
X



$a=b$

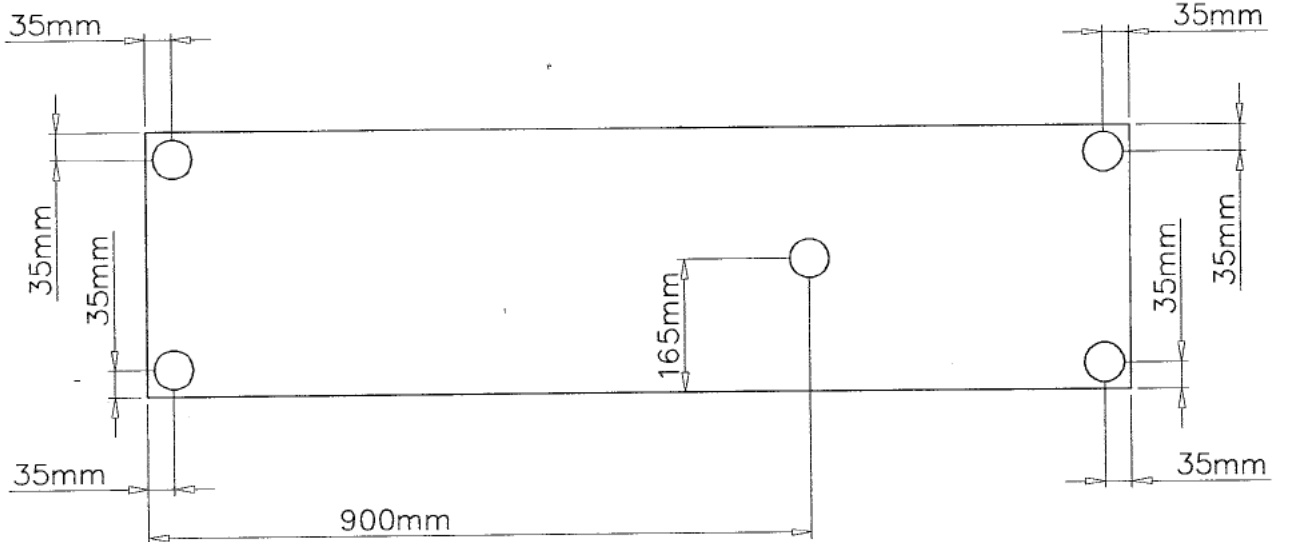
G34

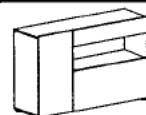
11



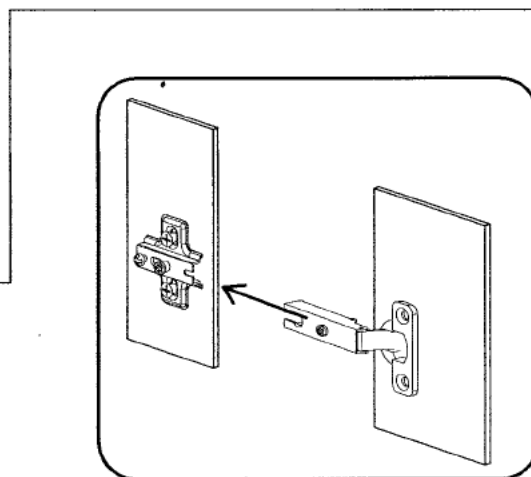
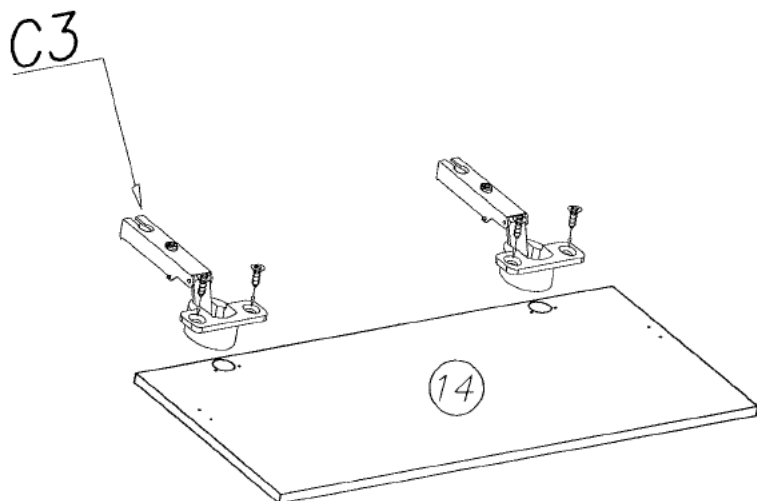
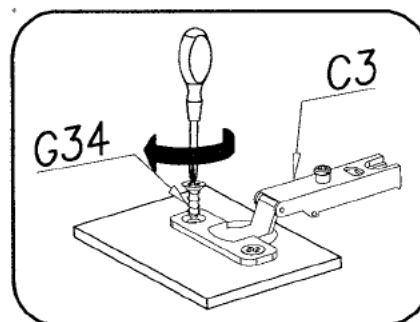
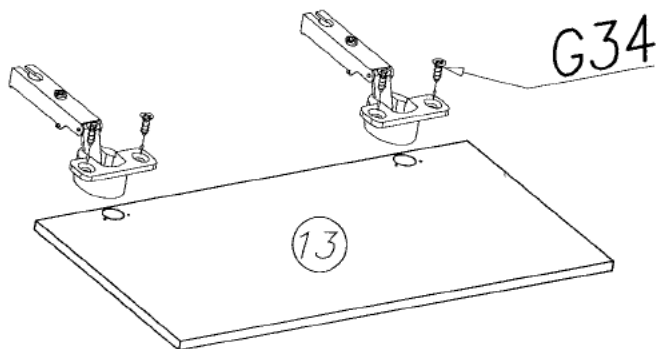
P20

G12

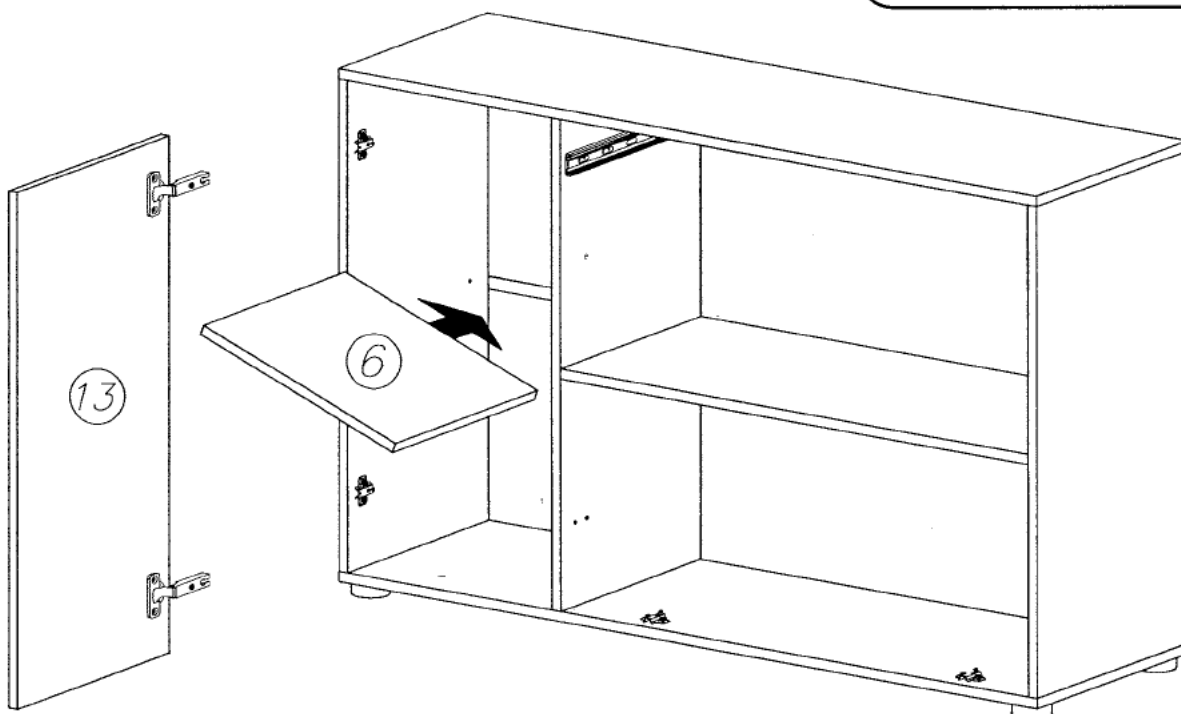


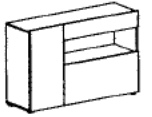


# XI

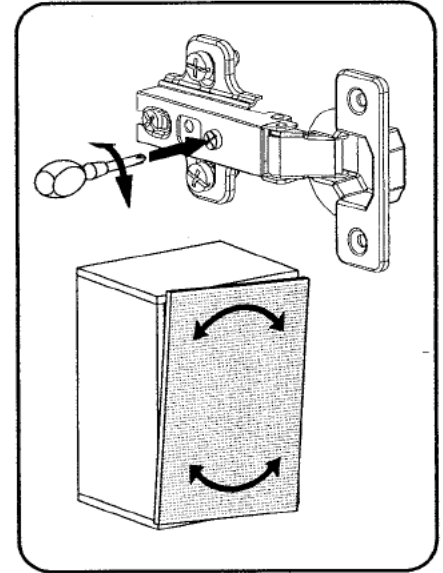
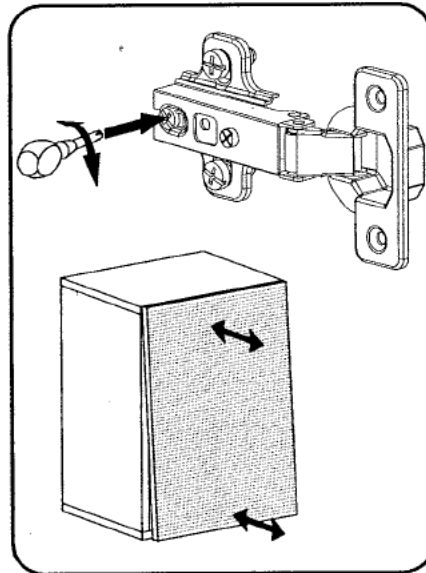
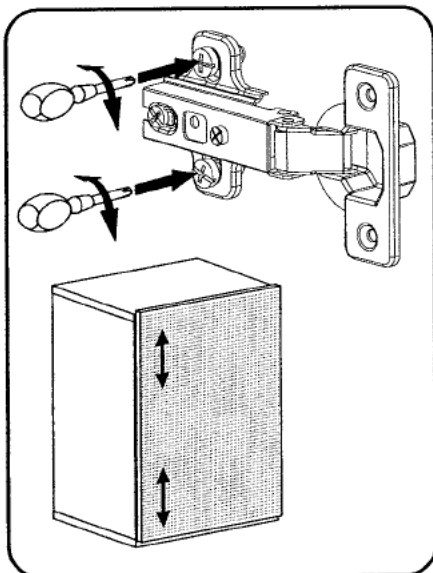
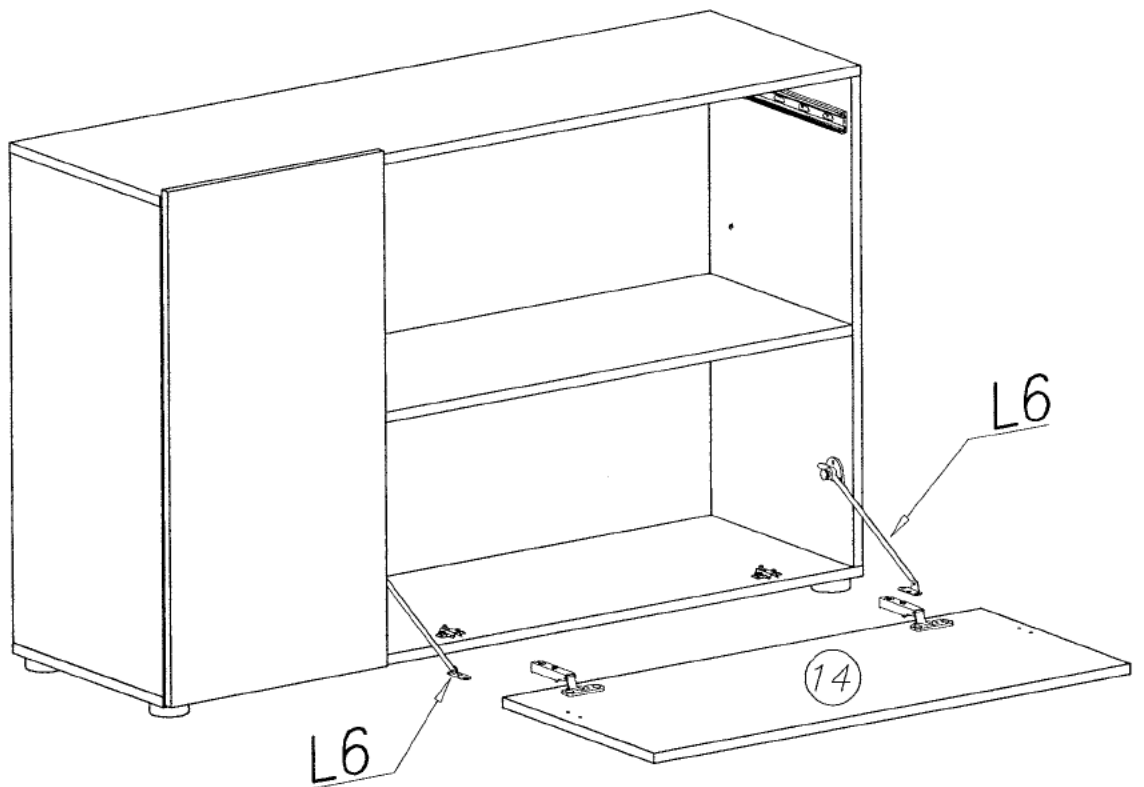
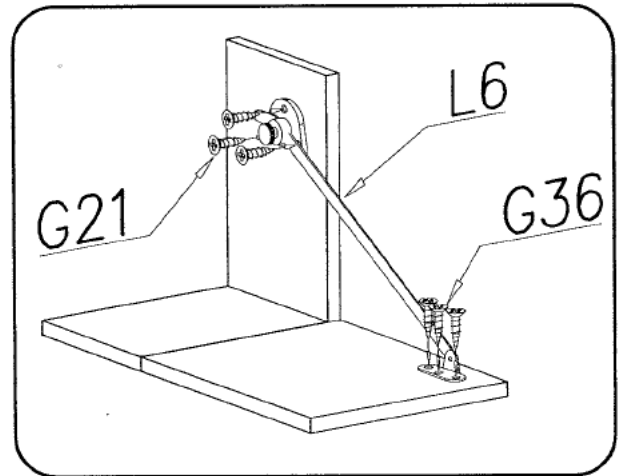
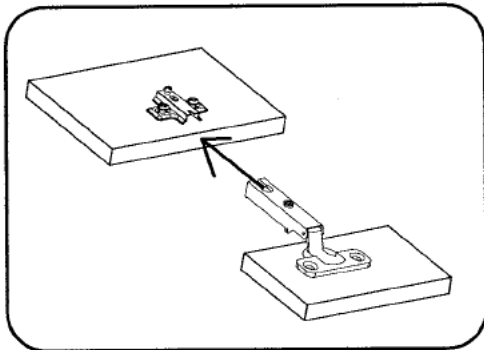


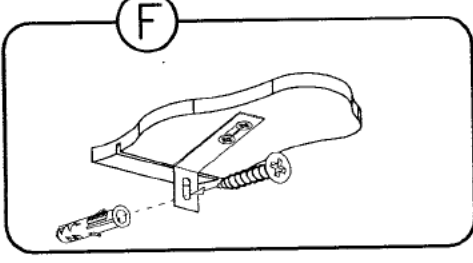
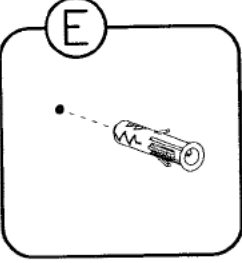
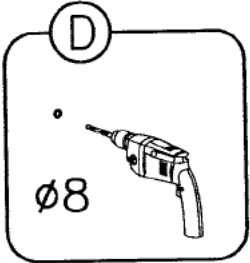
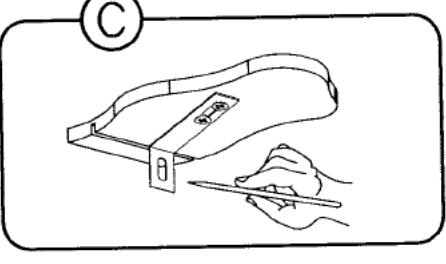
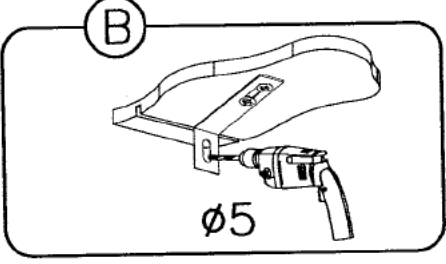
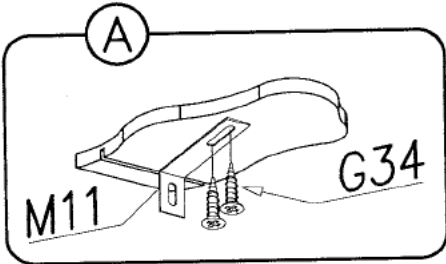
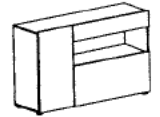
# XII





# XIII





# XIV

