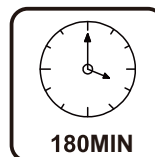
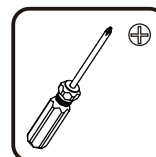
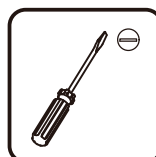
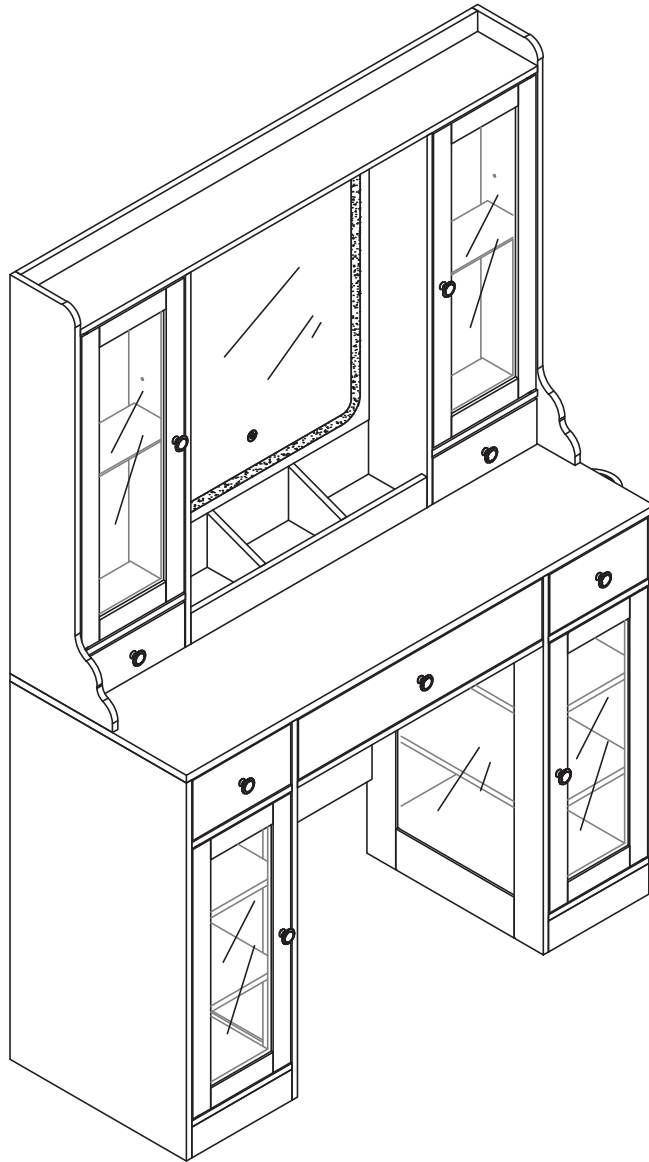


HLG095

Version:1.1



EN_IMPORTANT, RETAIN FOR FUTURE REFERENCE: READ CAREFULLY.

. THANK YOU FOR PURCHASE! .

FREE REPLACEMENT PARTS AVAILABLE!



---NEED HELP WITH YOUR FURNITURE?---

Scan the QR code to contact us!



If you're experiencing any issues—whether due to shipping, assembly, or any other reason
—we're here to help.

For any damaged or missing components, we're happy to provide FREE replacement parts.



WhatsApp

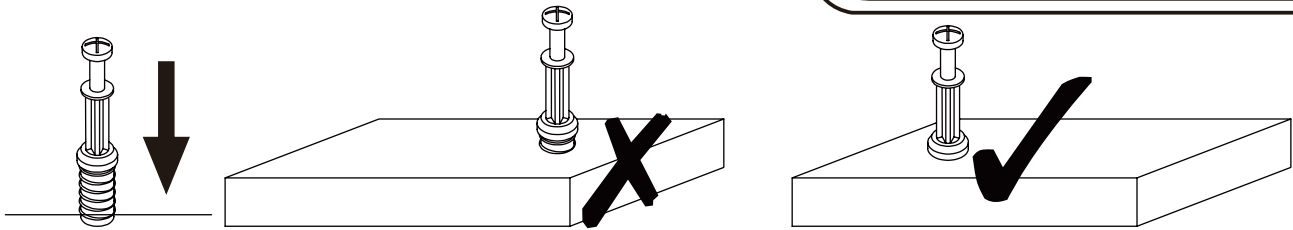
Email: support@anymaple.com

WANT TO CONTACT US THROUGH AMAZON?

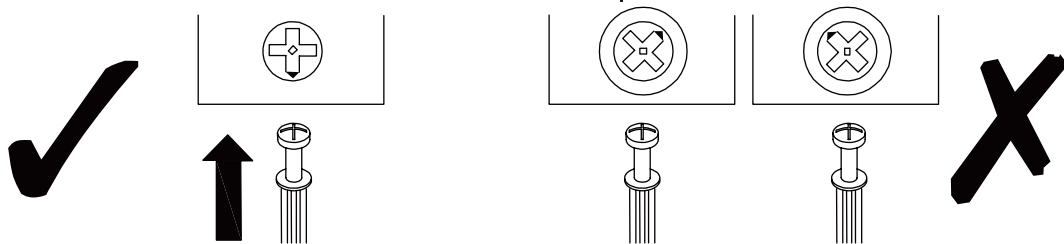
- ▶ Log in to your Amazon account.
- ▶ Go to “Your Orders” and locate your furniture order.
- ▶ Click on “Get Help with Order” to send us a message directly.

Our customer support team is ready to assist you and we will respond within 12-24 HOURS to resolve your concerns quickly!

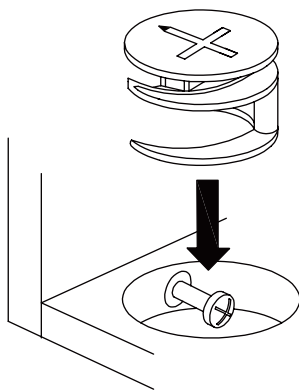
USING CAM LOCK AND QUICKFIT



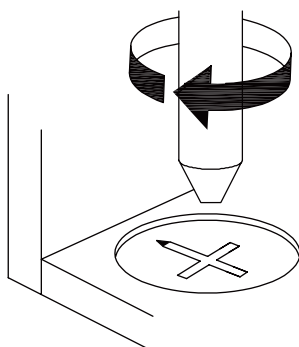
EN_QUICKFIT: Tighten quickfit until shoulder is flush with panel. Do not overtighten or undertighten.



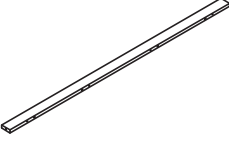
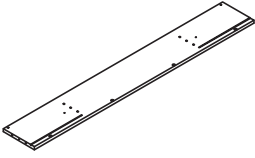
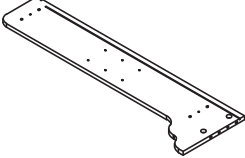
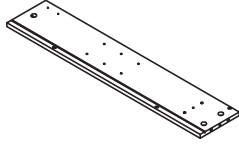
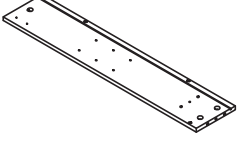
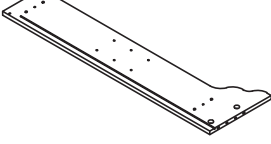
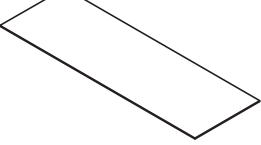
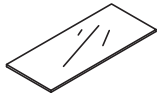
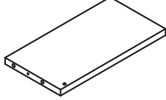
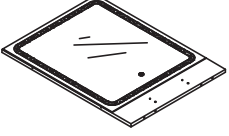
EN_CAM LOCK: When fitting cam lock, ensure starting position is correct before you insert connecting quickfit.

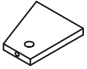
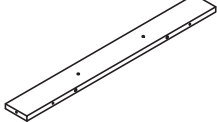
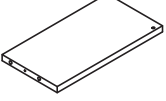
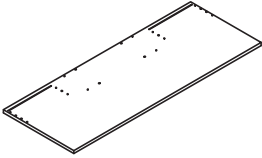
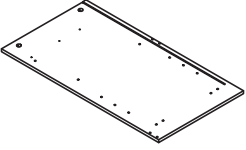
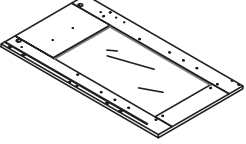
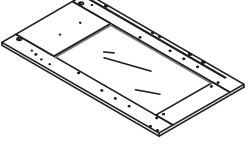
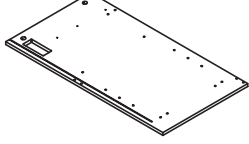
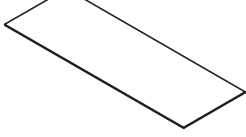
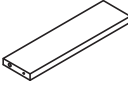


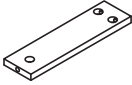
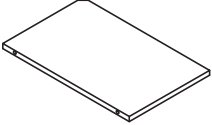
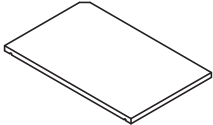
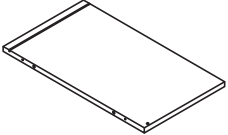
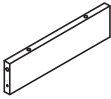
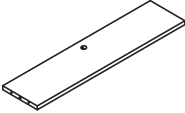
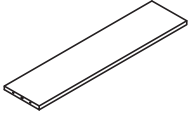
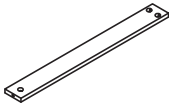
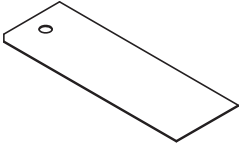
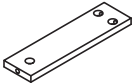
EN_Quickfit head should be in the centre of the cam lock when the two panels are joined.
Cam lock should be inserted before quickfit.

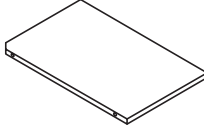
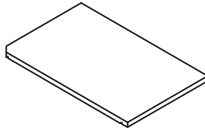
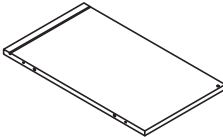
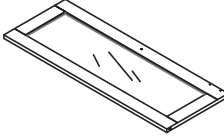
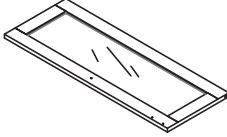
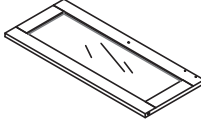
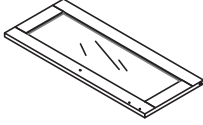
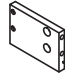

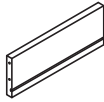


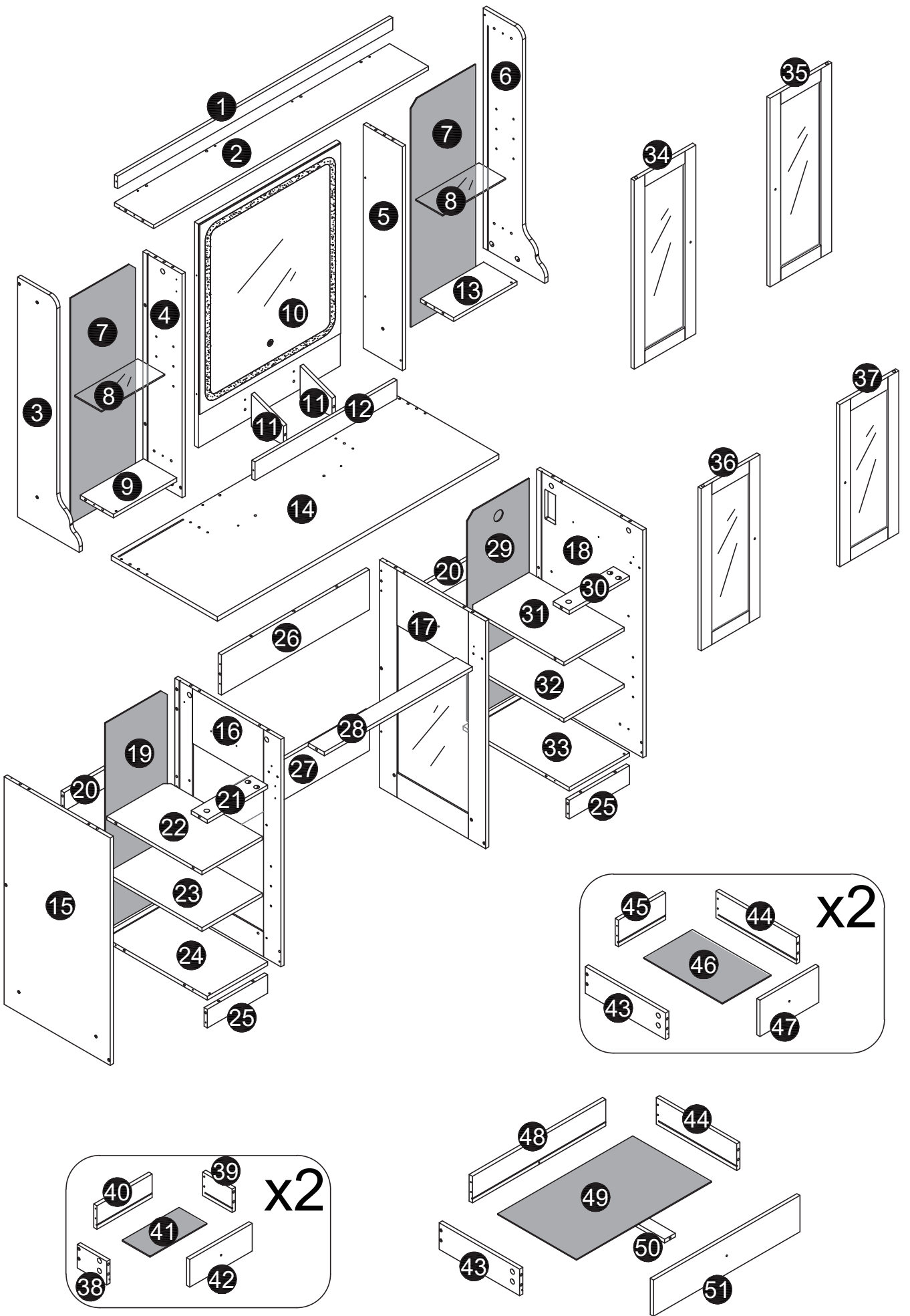
EN_Turn cam lock clockwise to tighten.

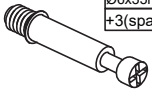


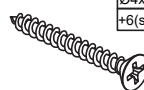

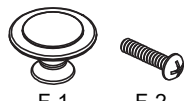

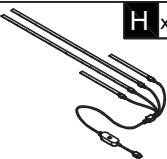






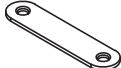
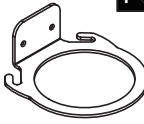

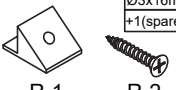
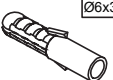
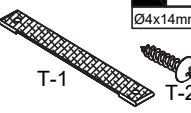

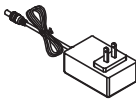
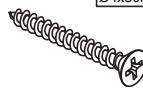
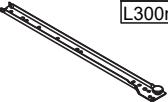
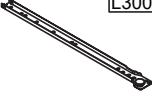

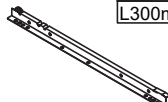
NO.	PARTS	QTY	SPARE
①		x1	
②		x1	
③		x1	
④		x1	
⑤		x1	
⑥		x1	
⑦		x2	
⑧		x2	
⑨		x1	
⑩		x1	

NO.	PARTS	QTY	SPARE
⑪		x2	
⑫		x1	
⑬		x1	
⑭		x1	
⑮		x1	
⑯		x1	
⑰		x1	
⑱		x1	
⑲		x1	
⑳		x2	

NO.	PARTS	QTY	SPARE
21		x1	
22		x1	
23		x1	
24		x1	
25		x2	
26		x1	
27		x1	
28		x1	
29		x1	
30		x1	

NO.	PARTS	QTY	SPARE
31		x1	
32		x1	
33		x1	
34		x1	
35		x1	
36		x1	
37		x1	
38		x2	
39		x2	
40		x2	



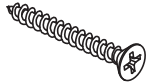
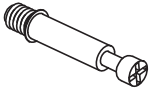
<p>A x61 Ø6x35mm +3(spare)</p> 	<p>B x61 Ø15x10mm +3(spare)</p> 	<p>C x66 Ø6x30mm +6(spare)</p> 	<p>D x65 Ø4x35mm +6(spare)</p> 	<p>E x44 Ø3.5x12mm +4(spare)</p> 	<p>F x9</p>  <p>F-1 F-2</p>
<p>G x4 Ø3x14mm</p>  <p>G-1 G-2</p>	<p>H x1</p> 	<p>I x1</p> 	<p>J x2 Ø3.5x12mm</p> 	<p>K x6 Ø3x12mm</p>  <p>K-1 K-2</p>	<p>L x8</p> 
<p>M x8</p> 	<p>N x8</p> 	<p>O x4</p> 	<p>P x1</p> 	<p>Q x2</p> 	<p>R x16 Ø3x16mm +1(spare)</p>  <p>R-1 R-2</p>
<p>S x2 Ø6x30mm</p> 	<p>T x2 Ø4x14mm</p>  <p>T-1 T-2</p>	<p>U x28 +2(spare)</p> 	<p>V x1</p> 	<p>W x4 Ø4x30mm</p> 	
<p>CL x3 L300mm</p> 	<p>CR x3 L300mm</p> 	<p>DL x3 L300mm</p> 	<p>DR x3 L300mm</p> 		

A x8

B x8

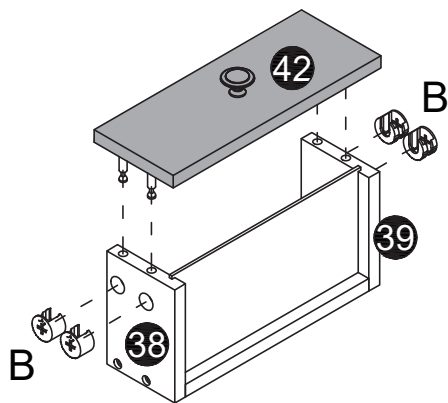
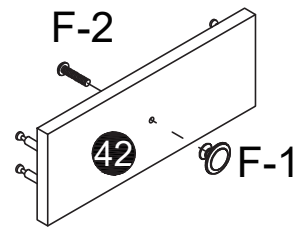
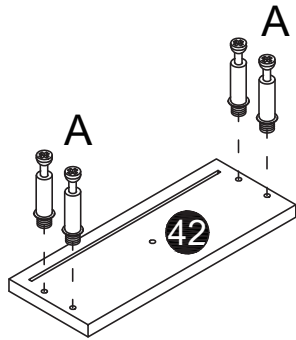
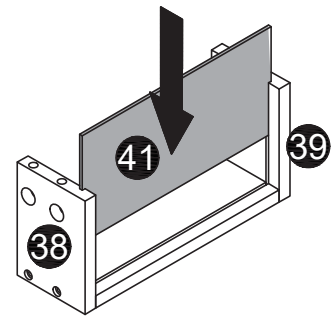
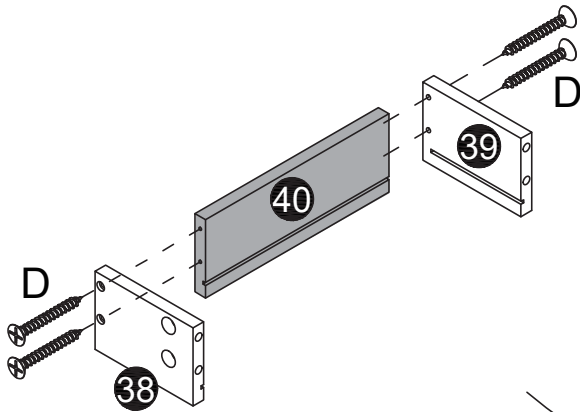
D x8

F x2

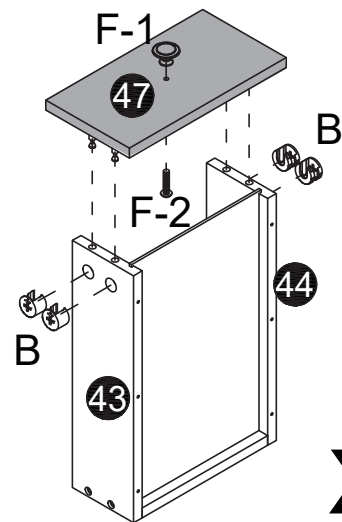
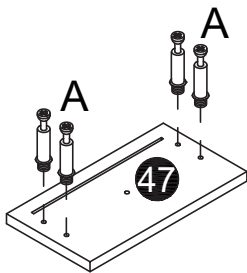
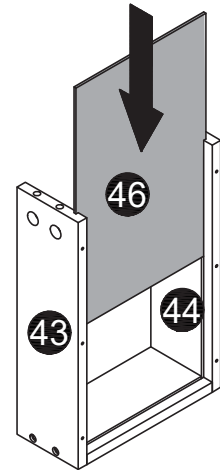
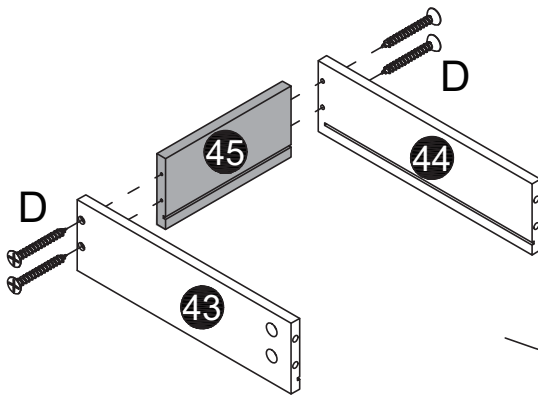
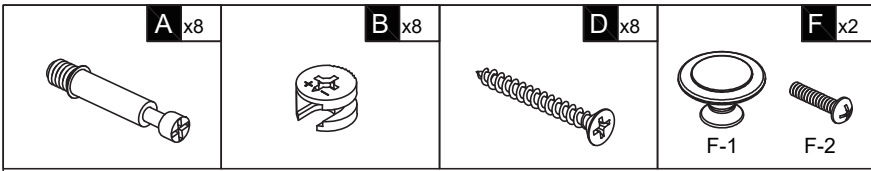


F-1

F-2

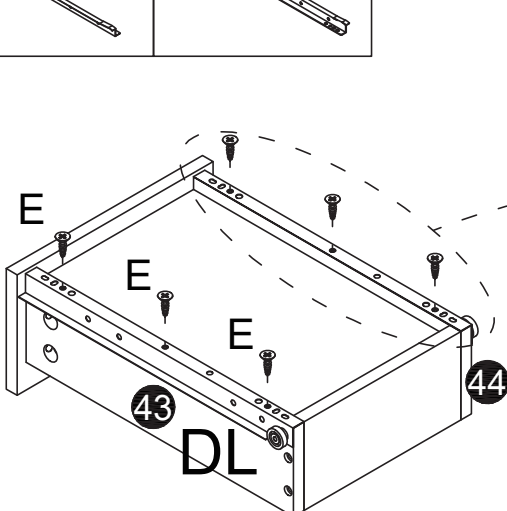
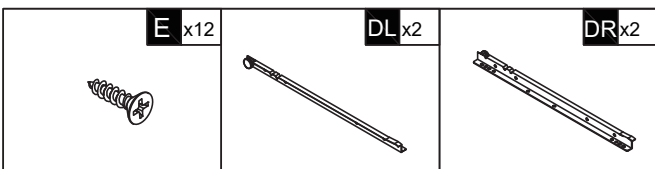


x2



Handle front-end features a swivel design.

x2



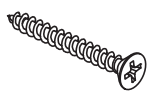
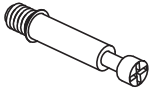
x2

A x5

B x5

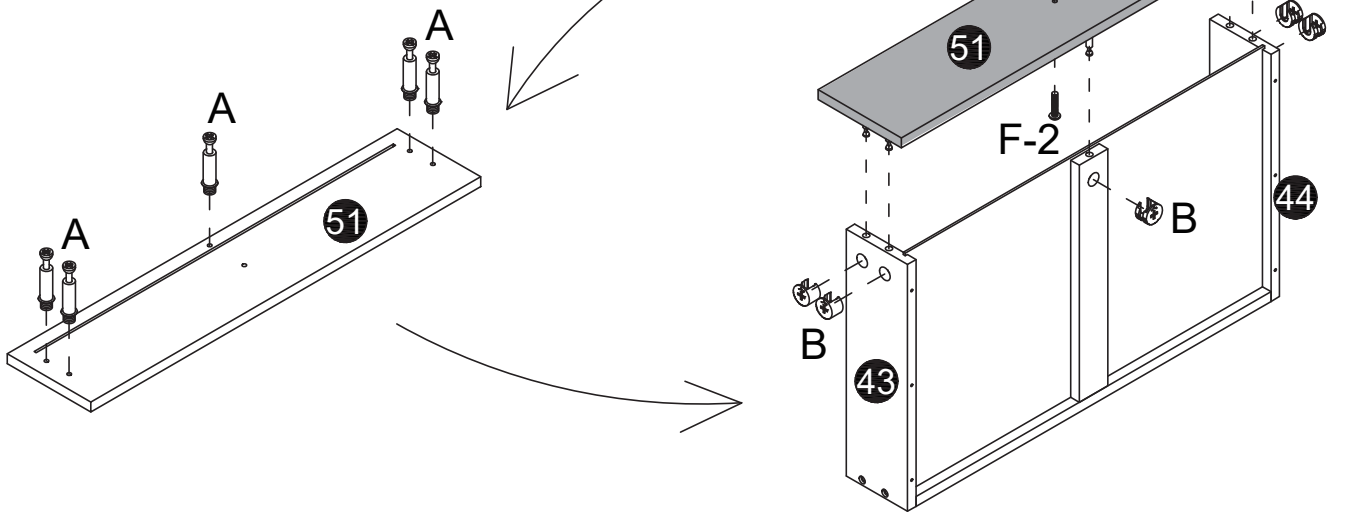
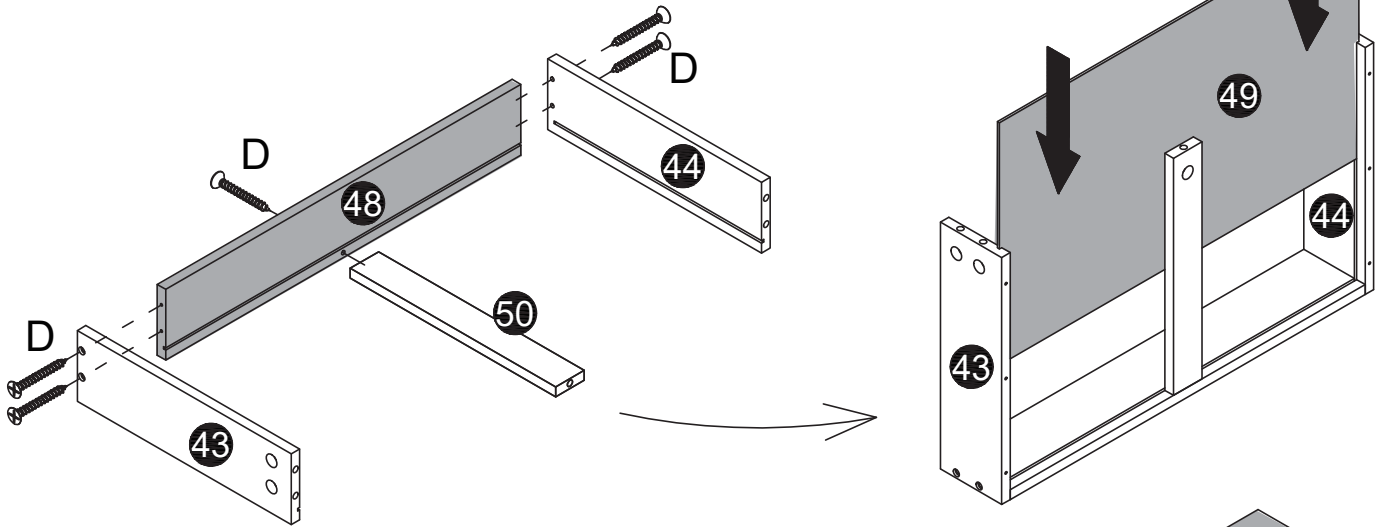
D x5

F x1



F-1

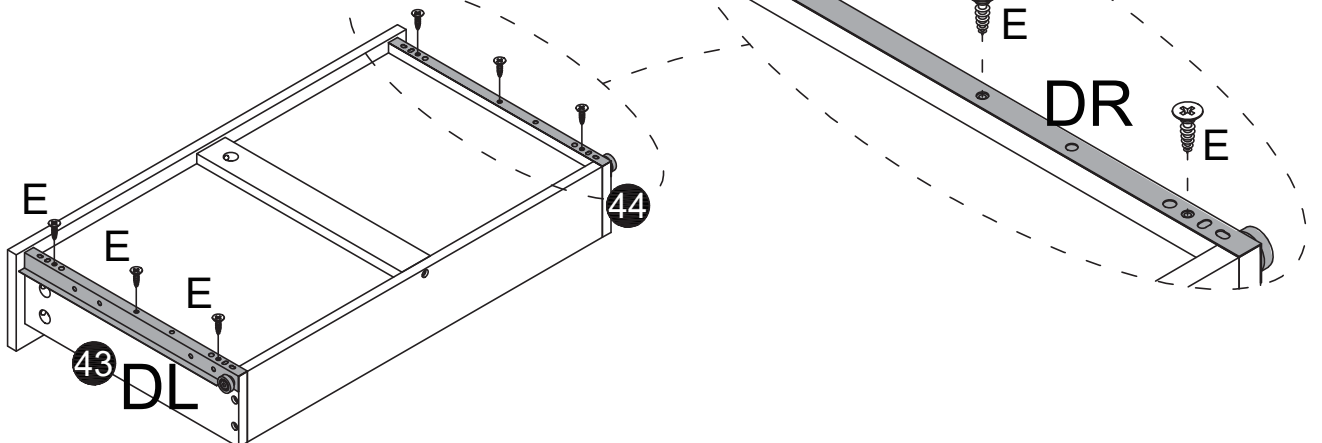
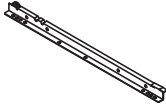
F-2



E x6

DL x1

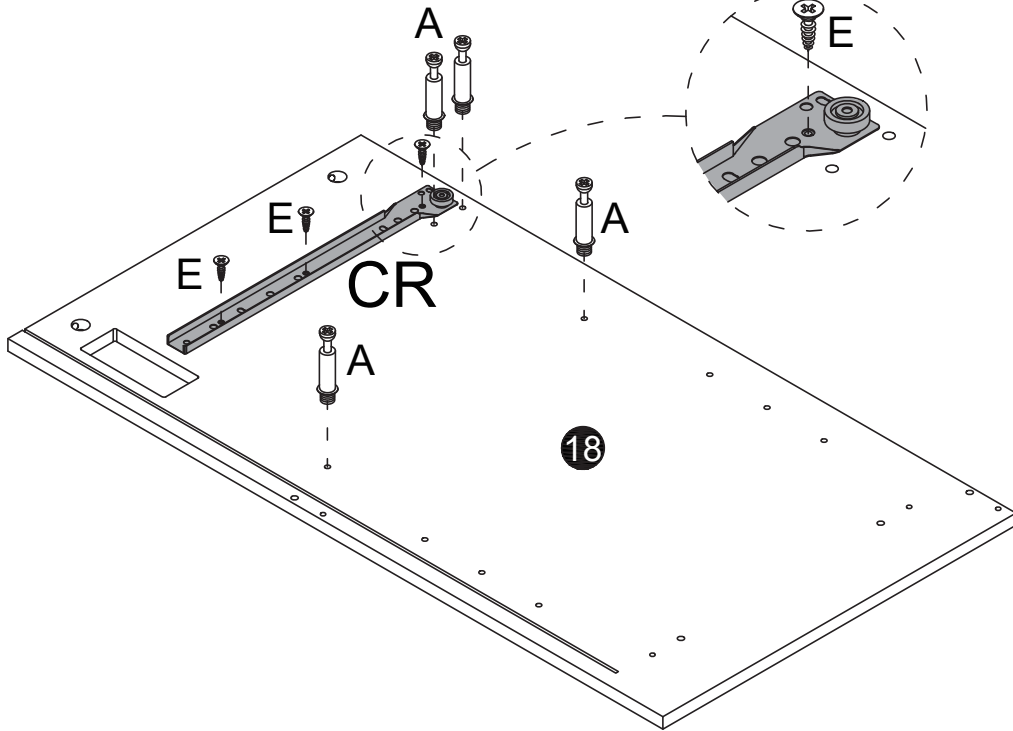
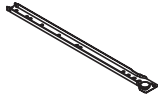
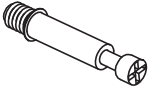
DR x1



A x4

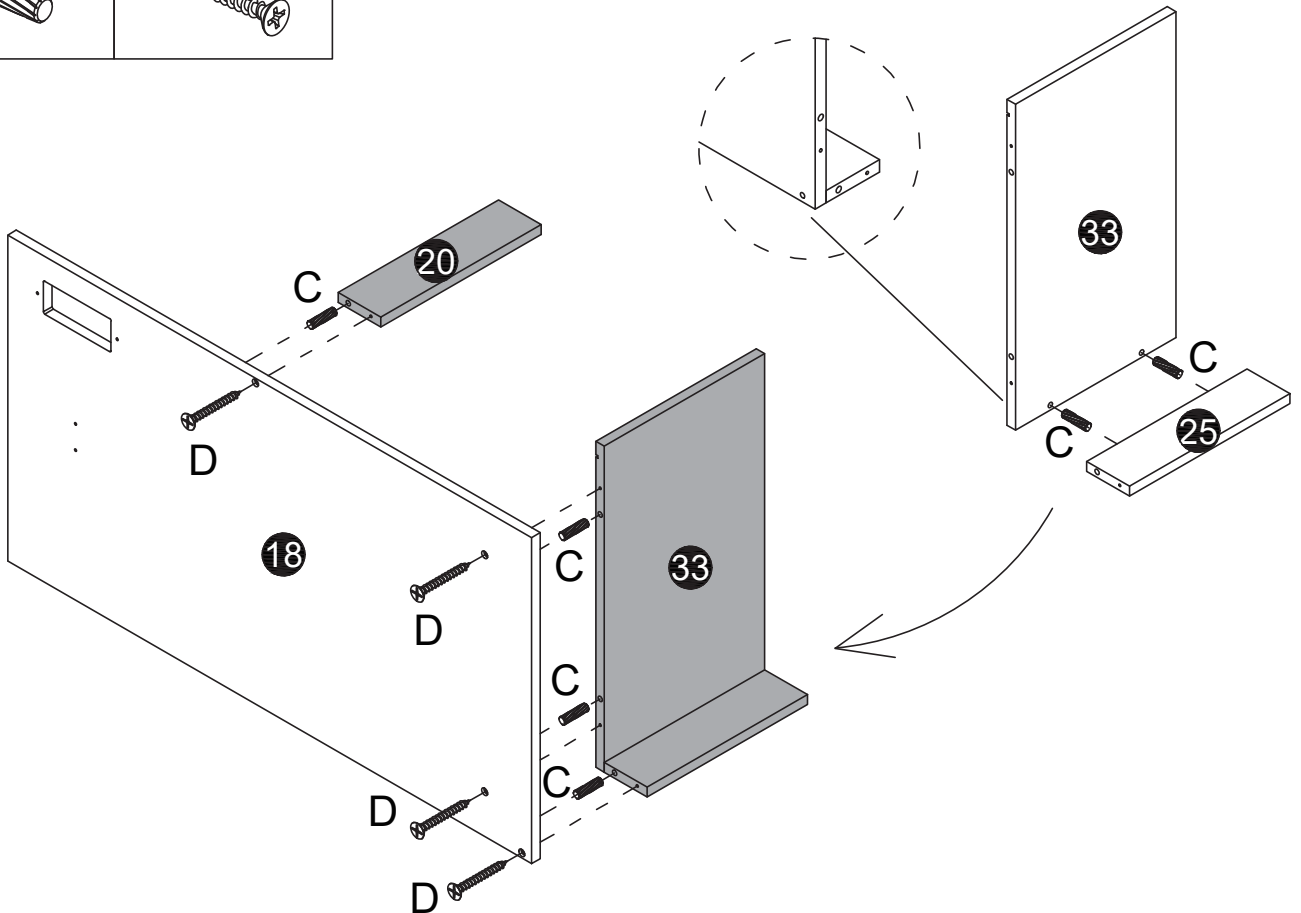
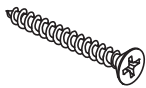
E x3

CR x1



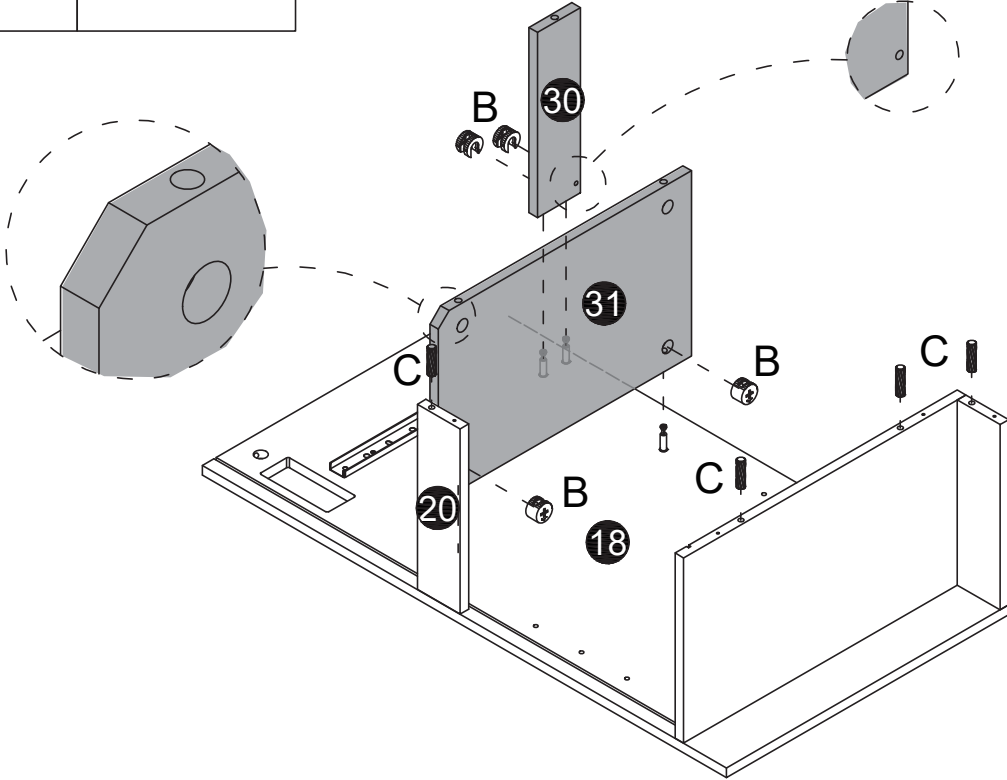
C x6

D x4



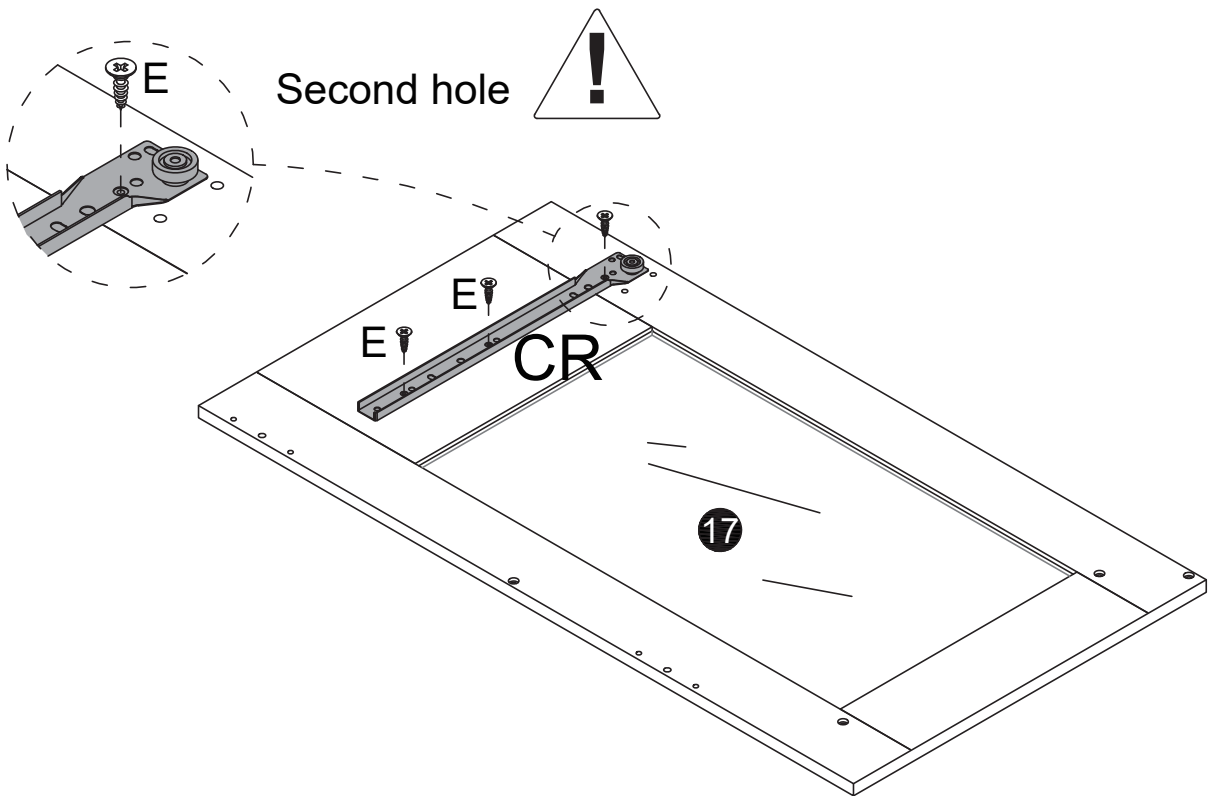
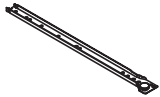
B x4

C x4



E x3

CR x1

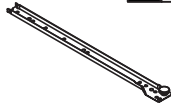
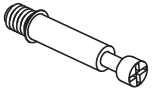


A x3

E x3

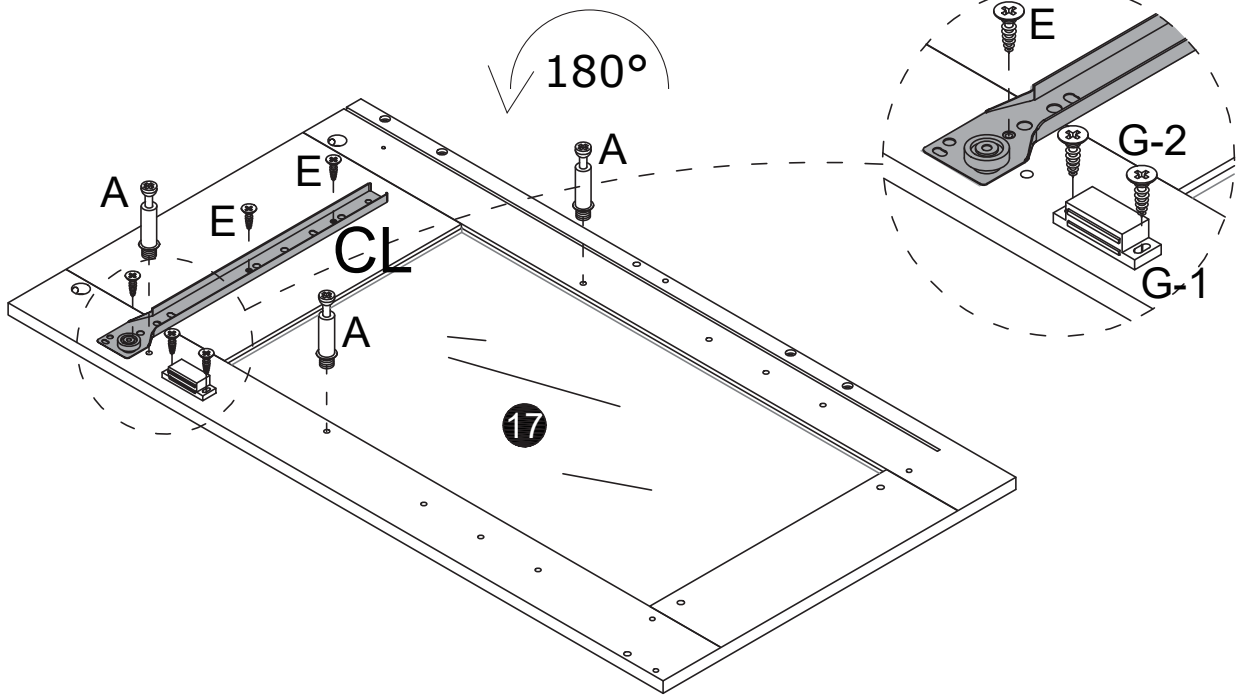
G x1

CL x1



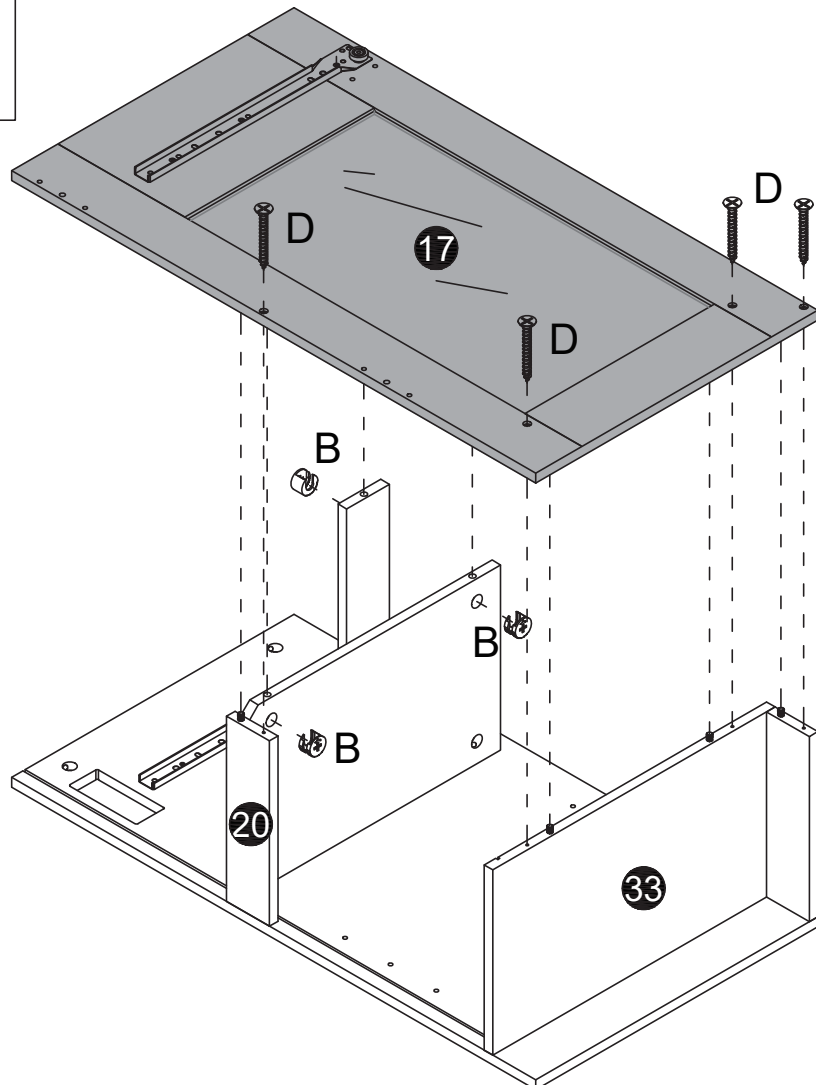
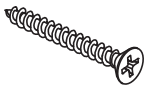
G-1

G-2

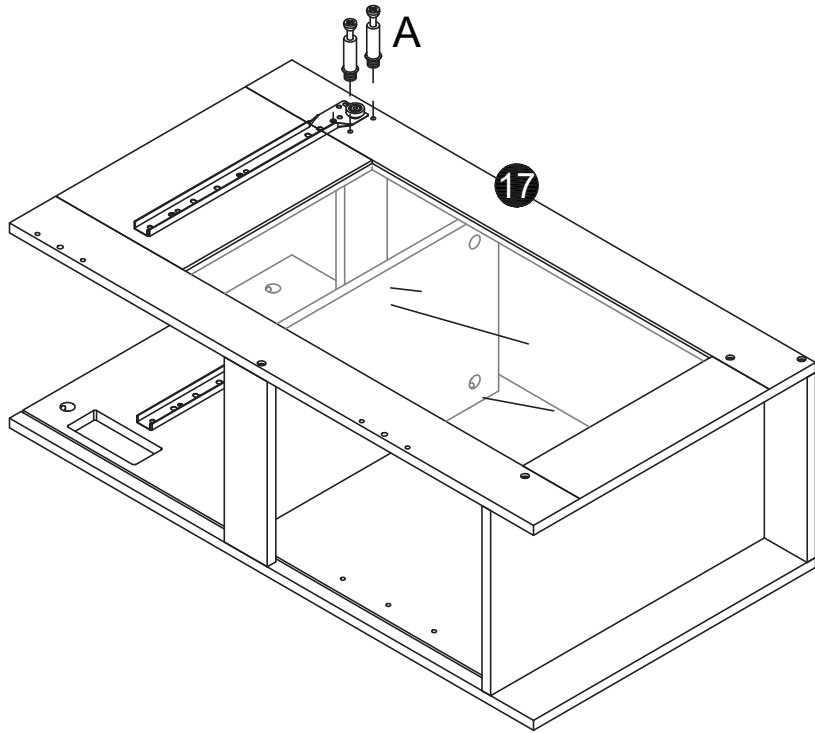
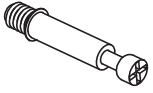


B x3

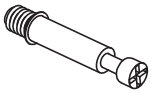
D x4



A x2



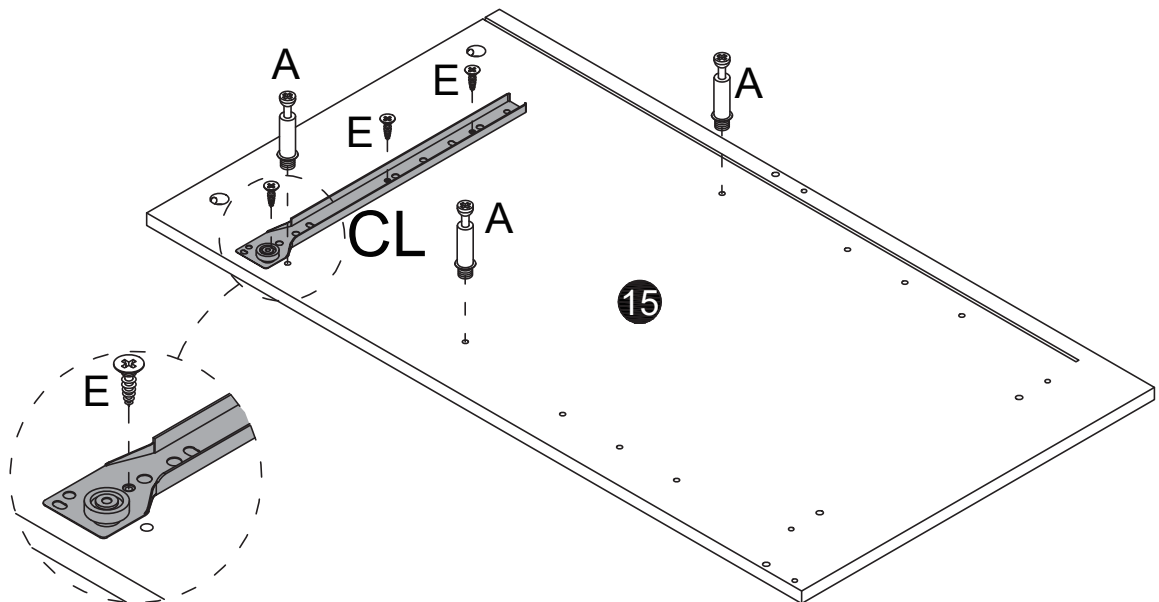
A x3



E x3

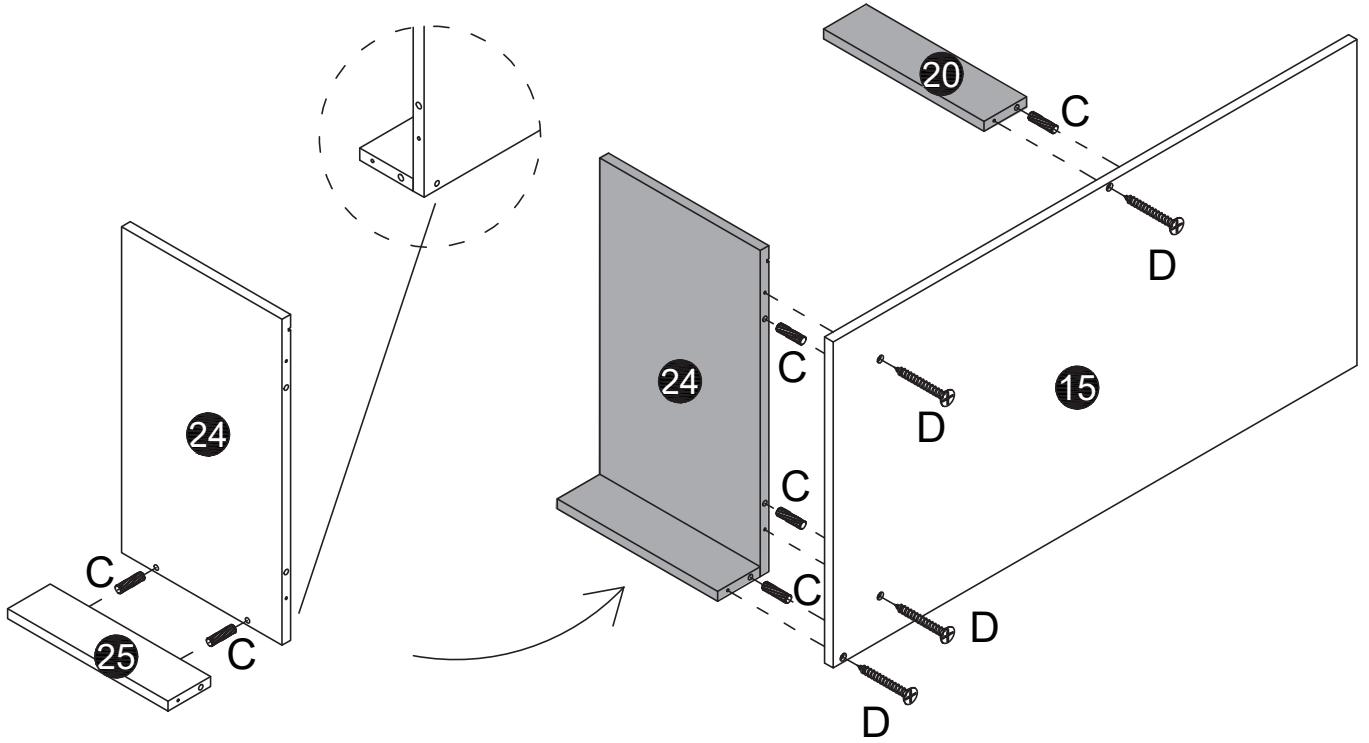
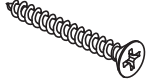


CL x1



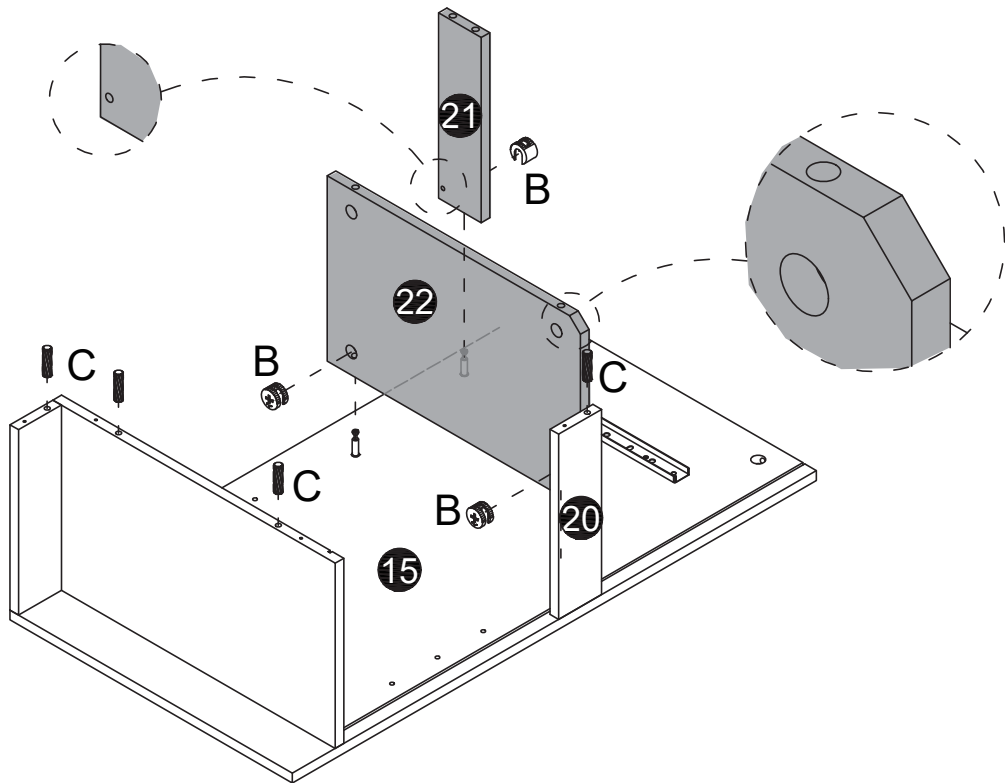
C x6

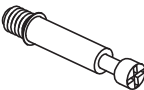



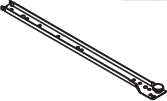

D x4

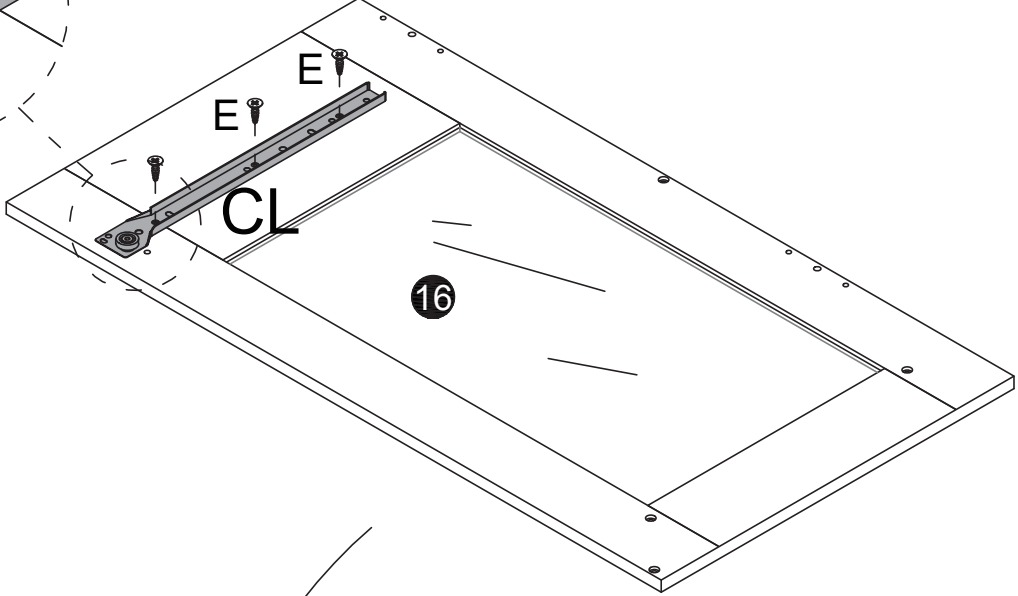
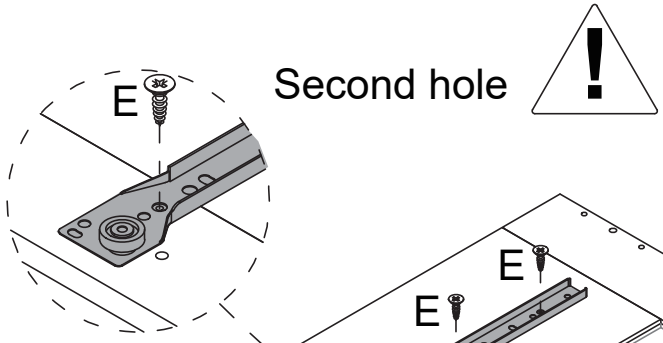


B x3

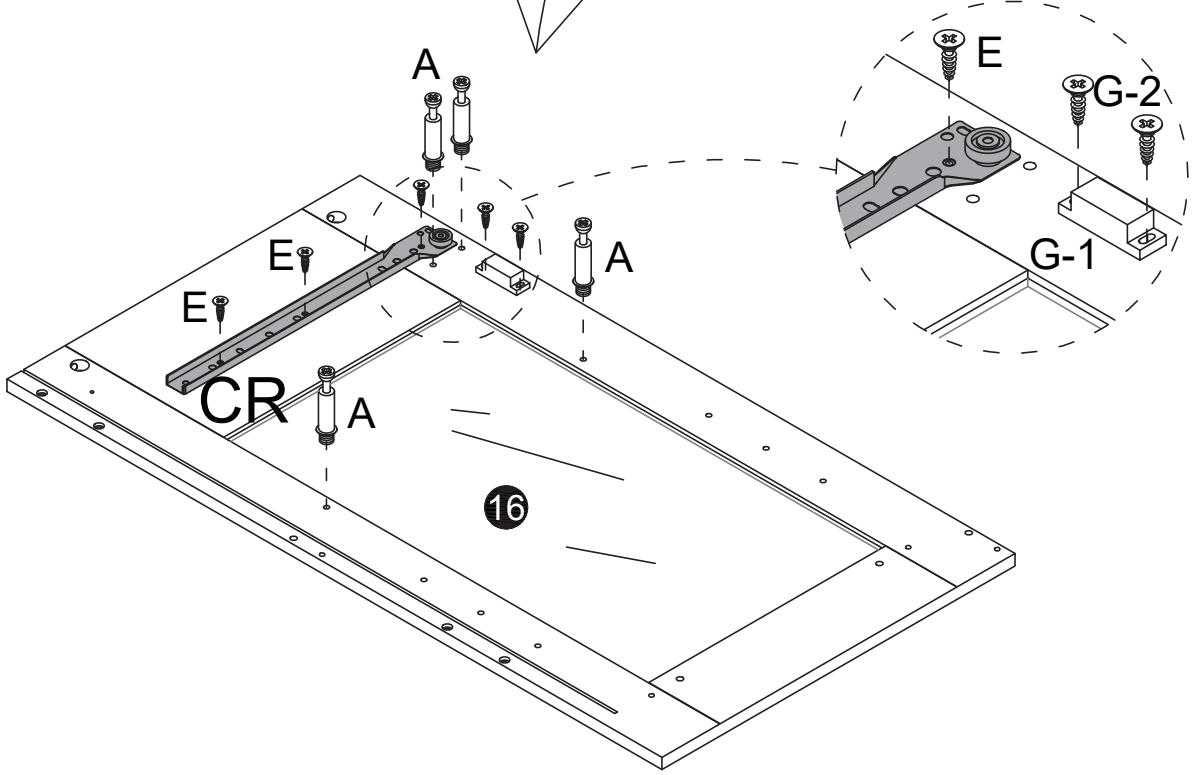
C x4



<p>A x4</p> 	<p>E x6</p> 	<p>G x1</p> <p>G-1 </p> <p>G-2 </p>	<p>CL x1</p> 	<p>CR x1</p> 
--	--	--	---	--

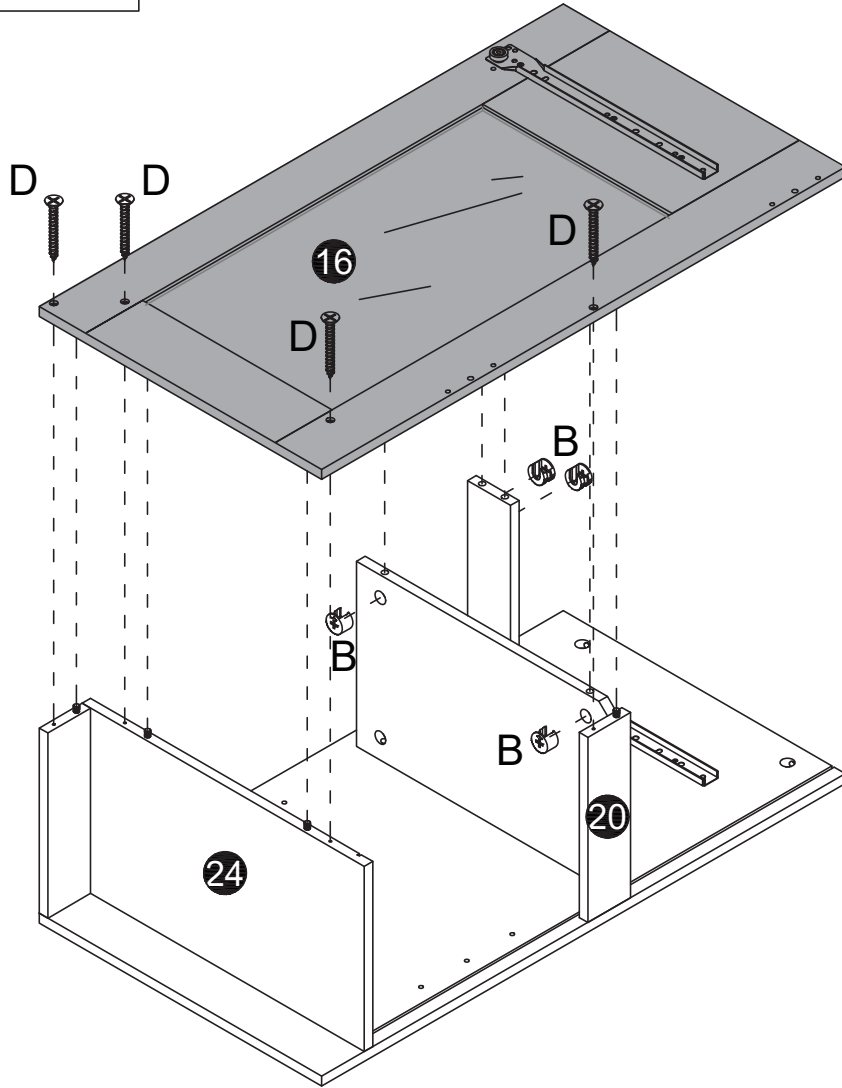
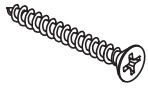


180°

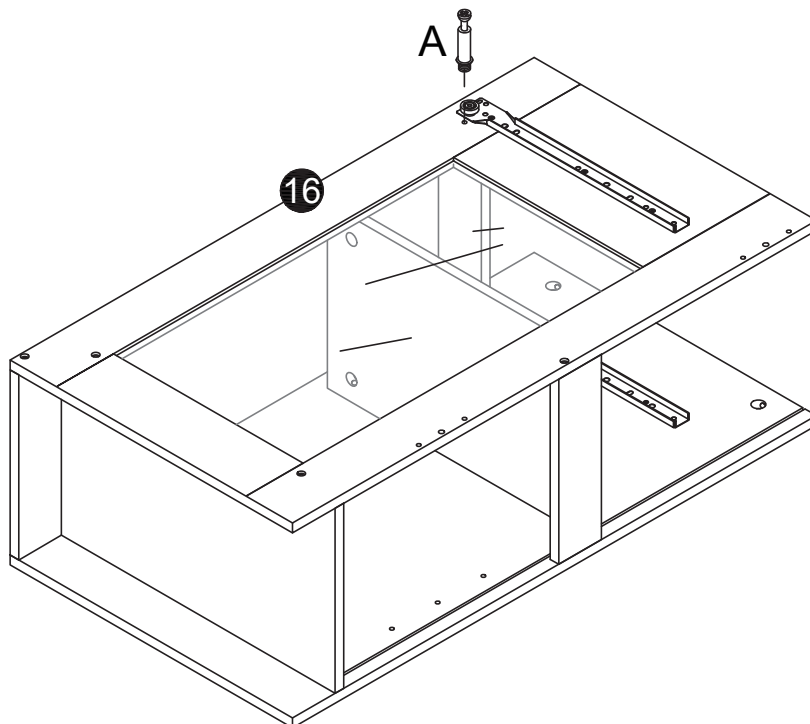
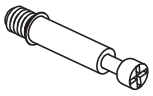


B x4

D x4



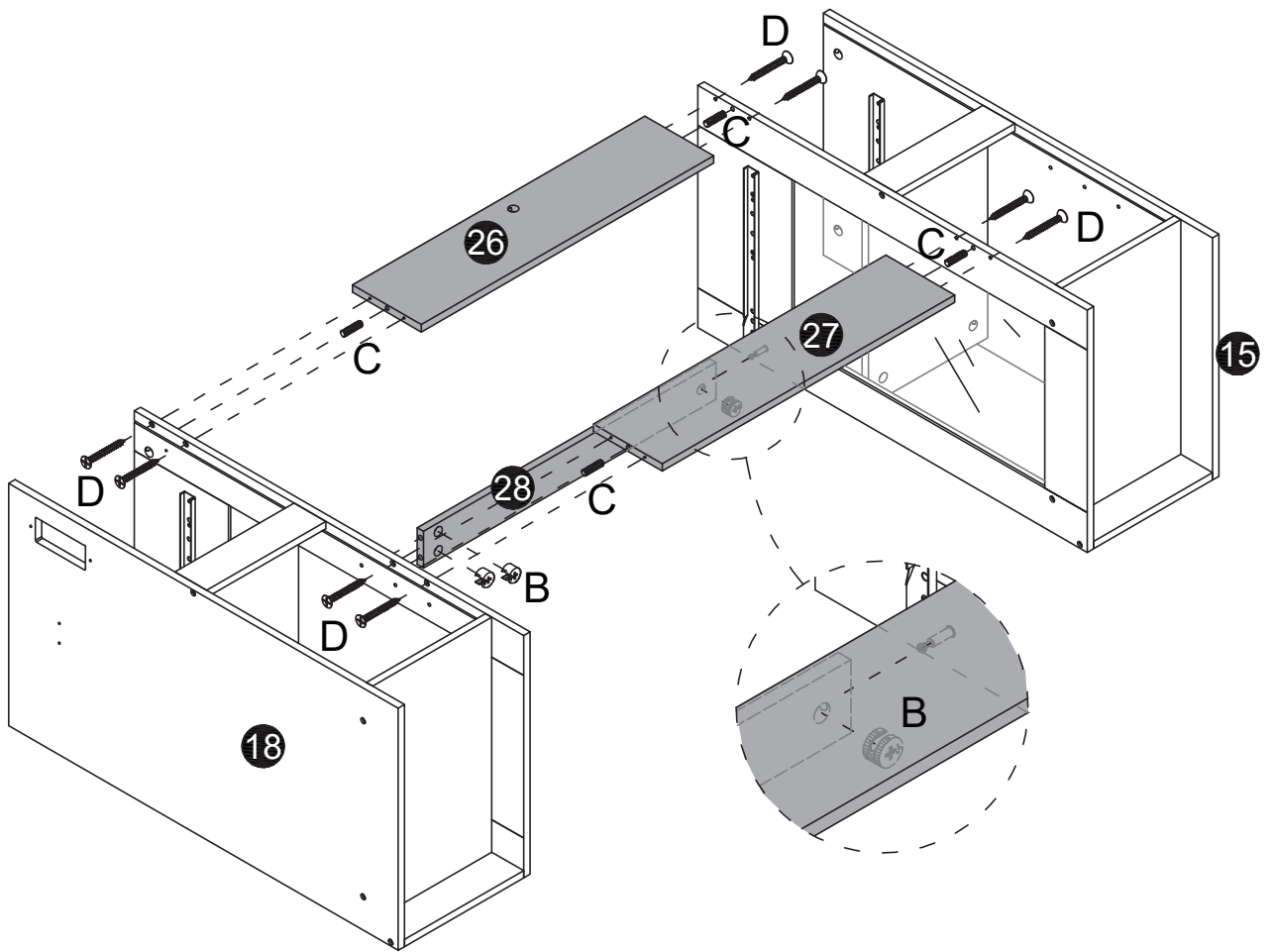
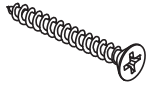
A x1

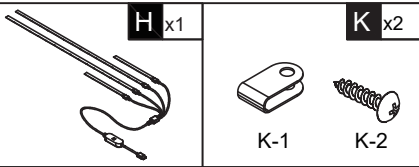


B x3

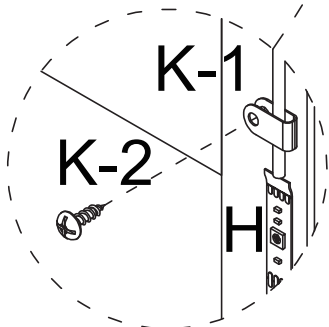
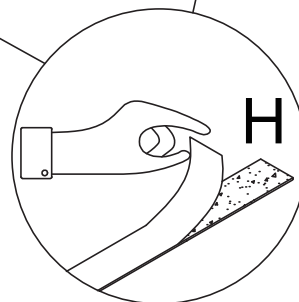
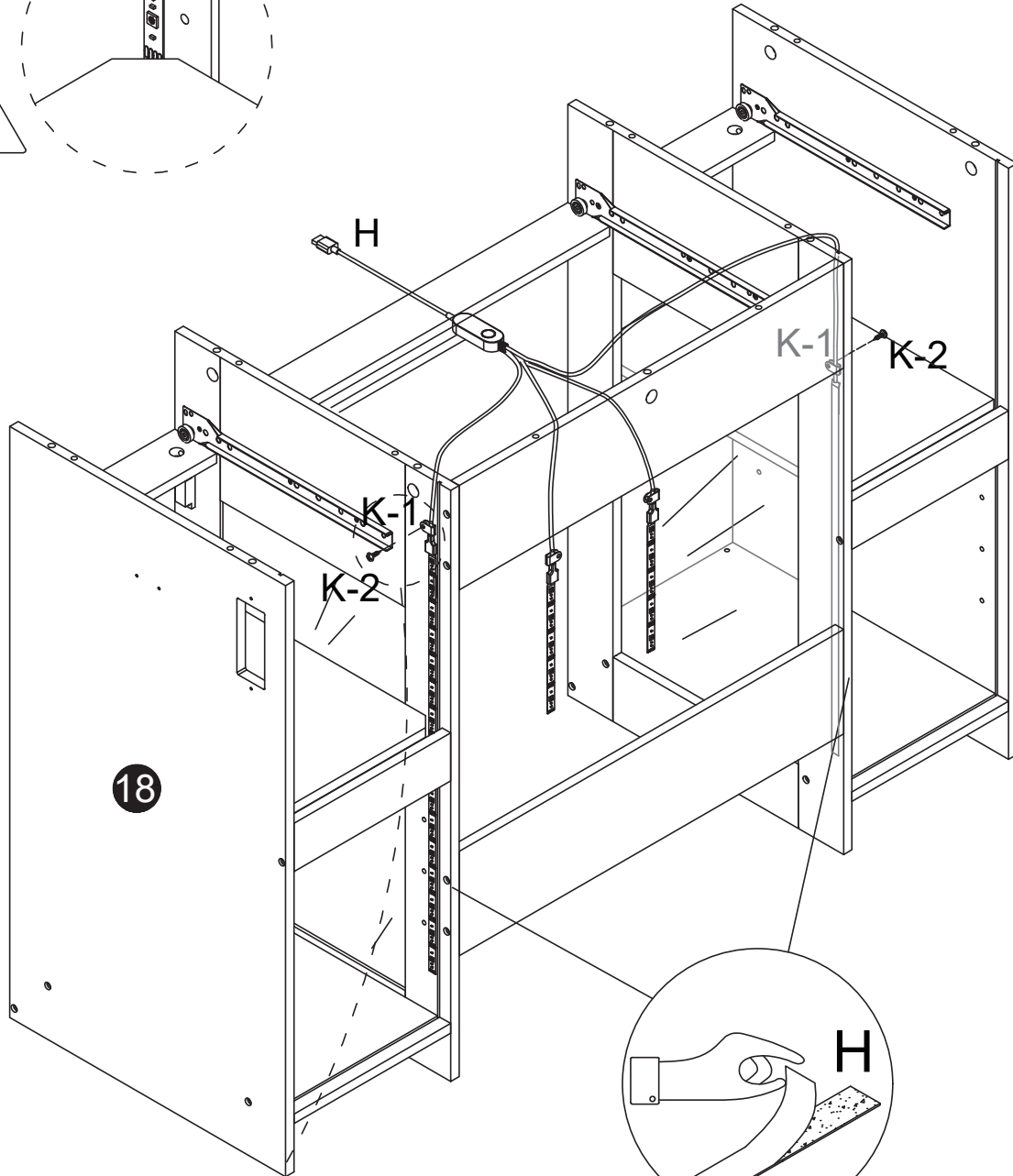
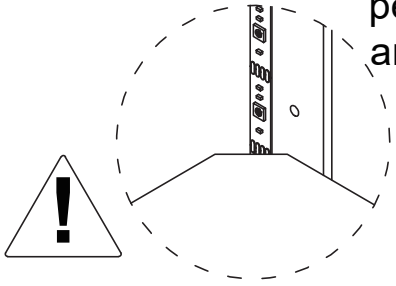
C x4

D x8

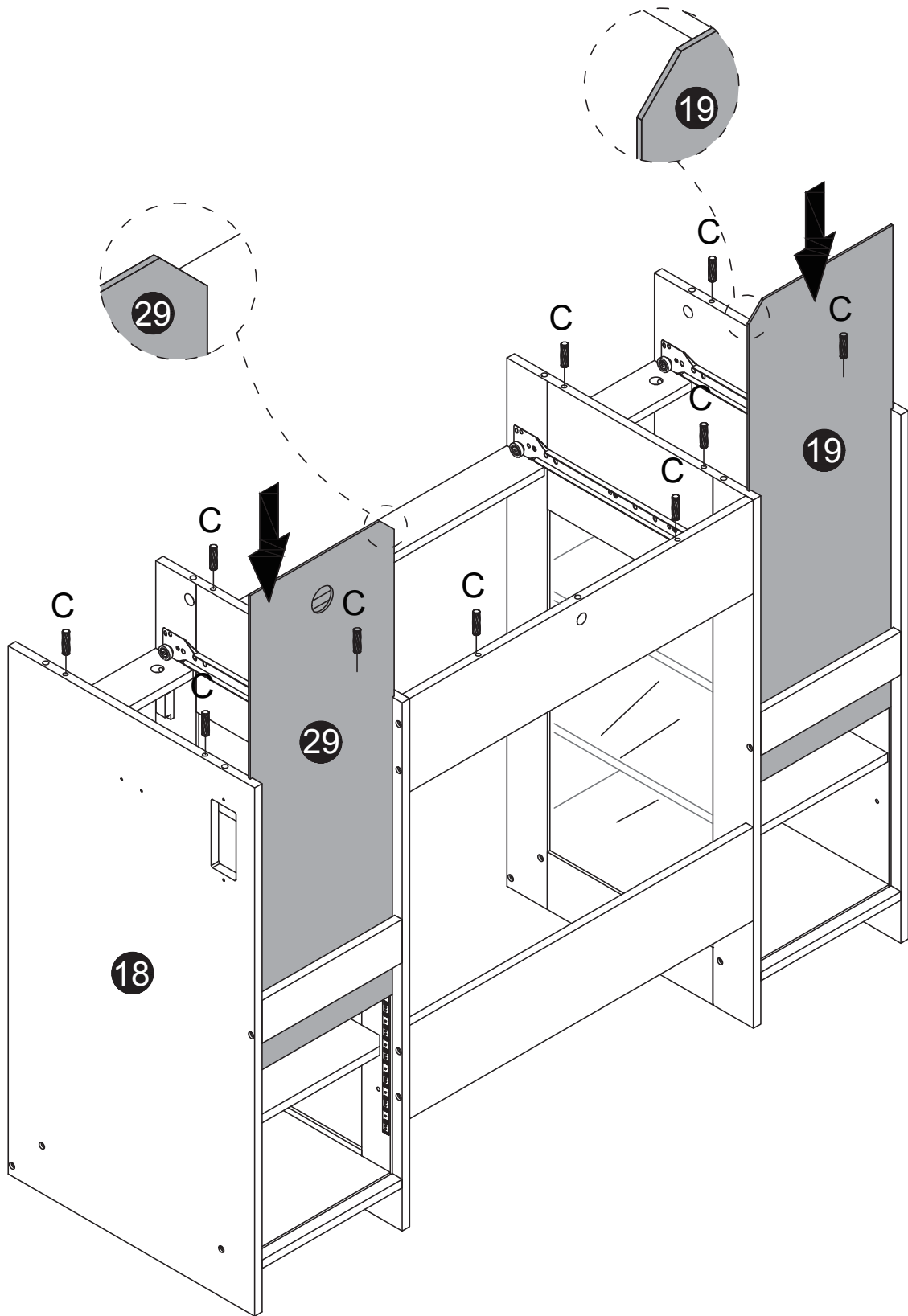




The final effect is that it is perpendicular to the ground and through the triangular cut.

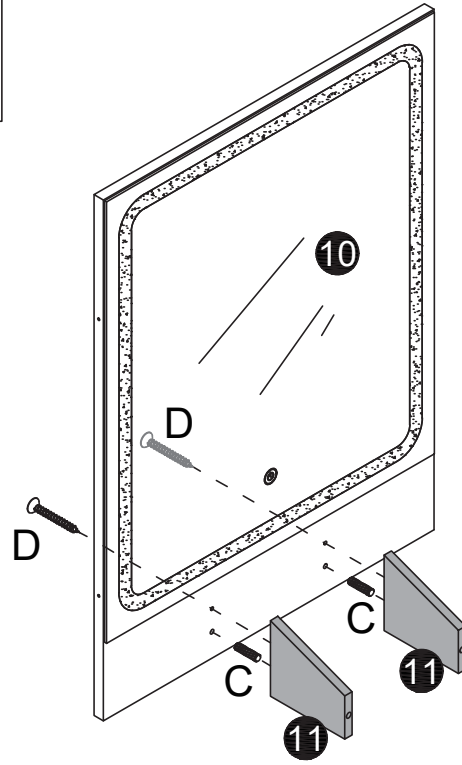
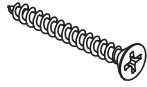


Note Plan the position before pasting. After removing the glue protective film on the back of the lamp belt, attach it to the side panel along the edge of the side panel, and finally lock the cable buckle to secure the lamp belt.



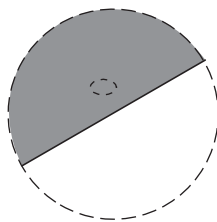
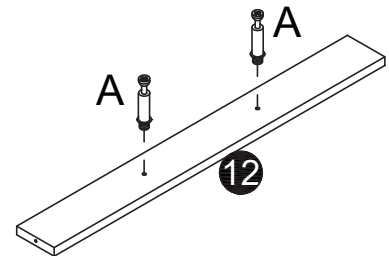
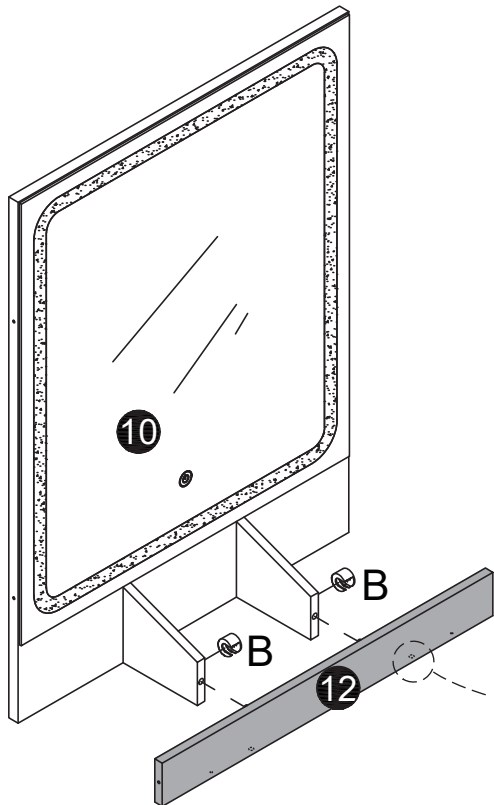
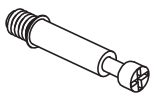
C x2

D x2

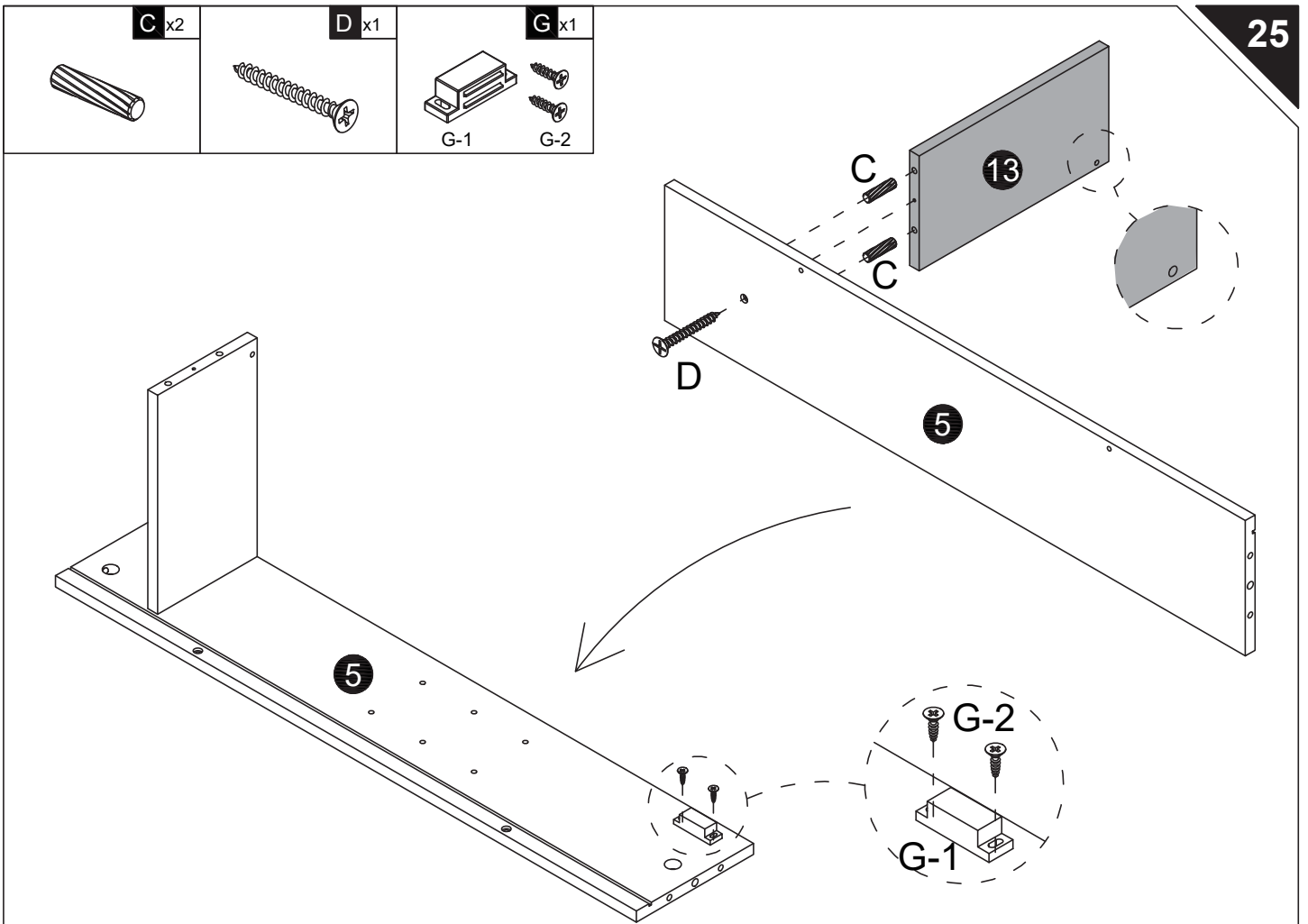
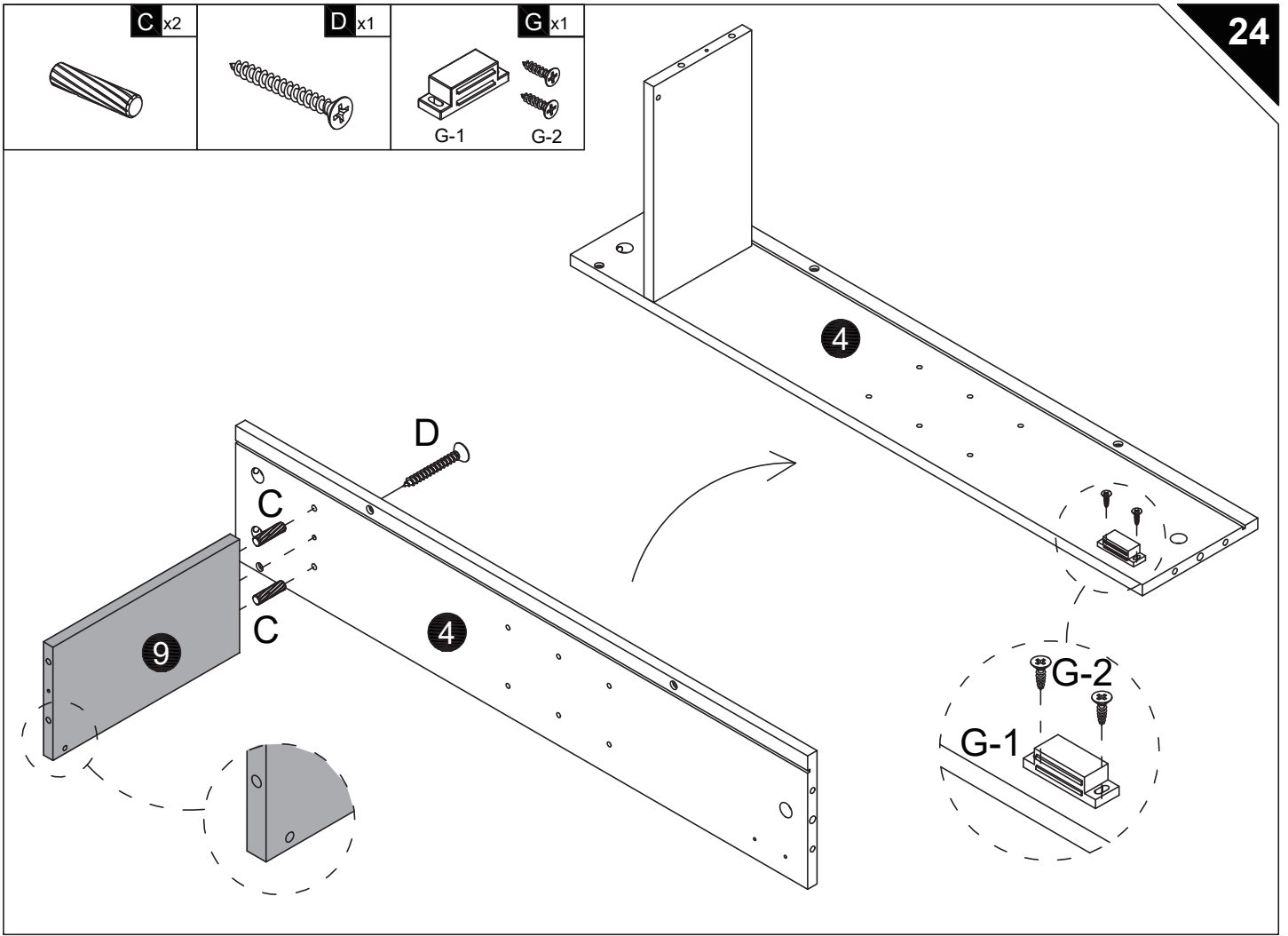


A x2

B x2



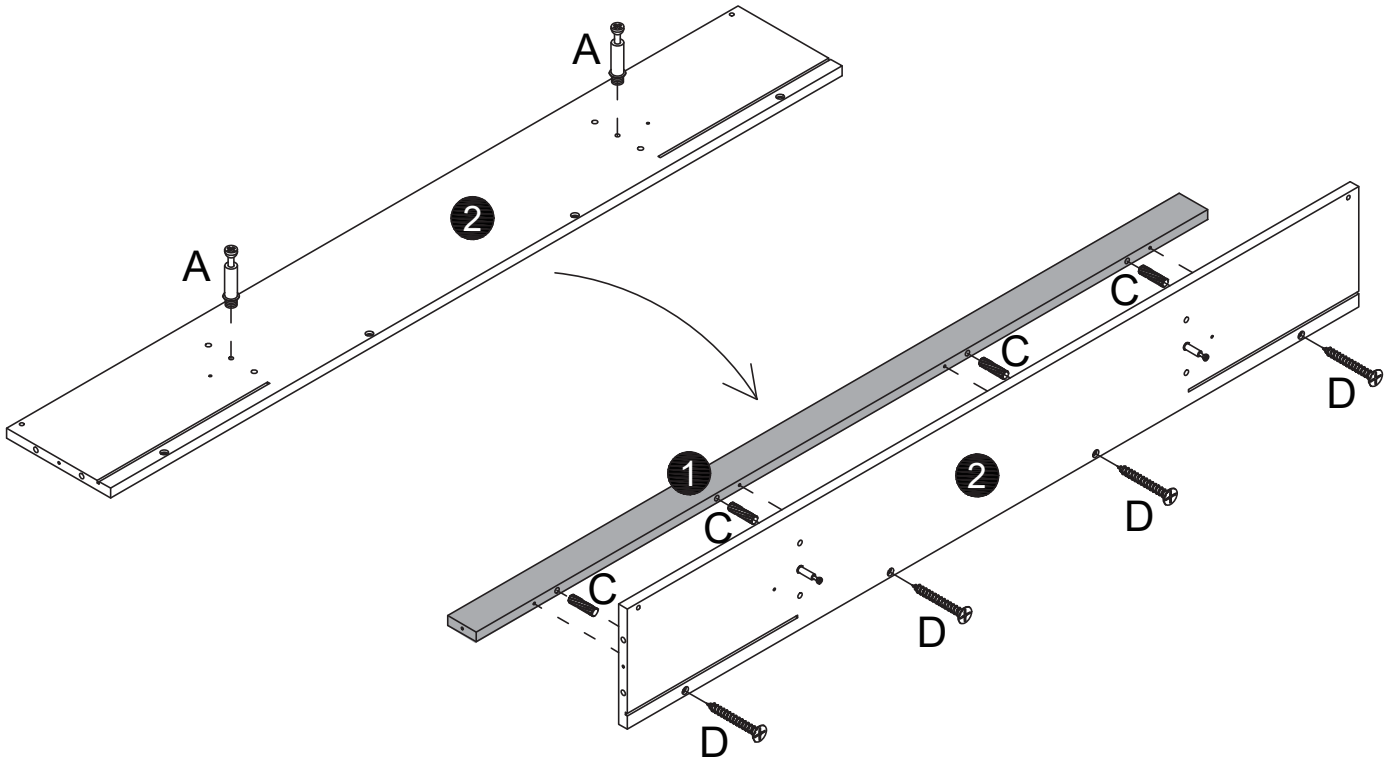
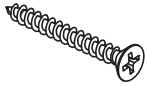
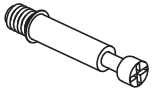
Hole side down!



A x2

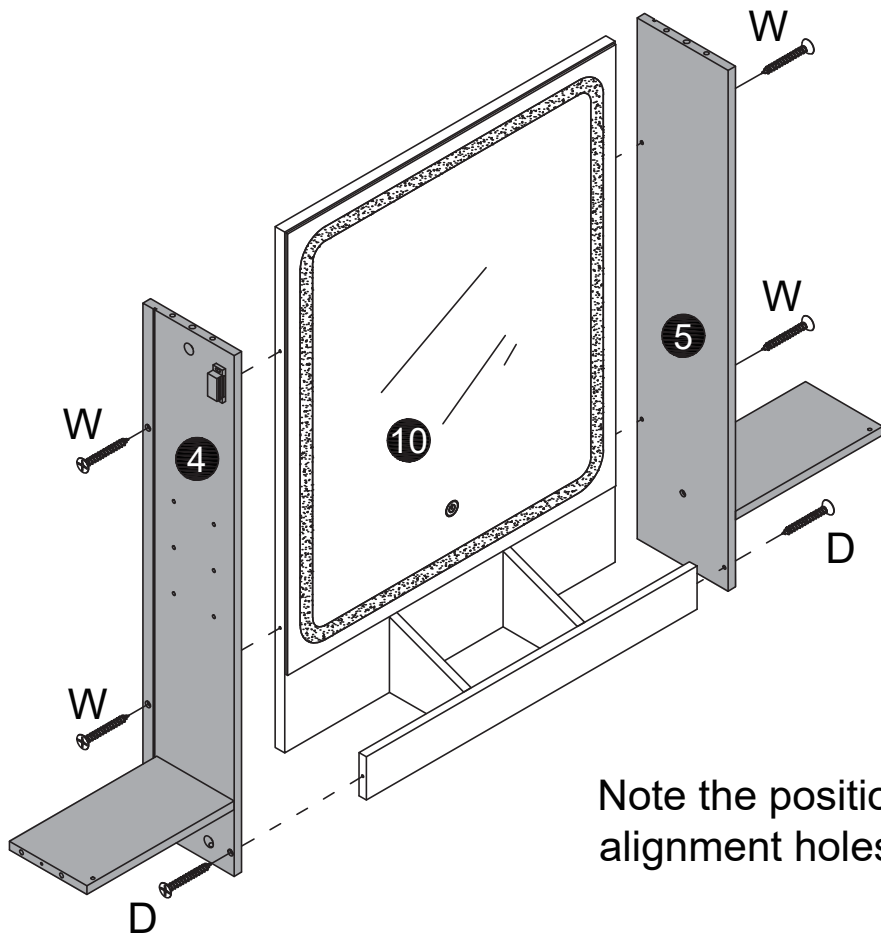
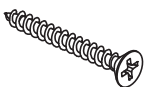
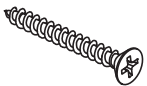
C x4

D x4



D x2

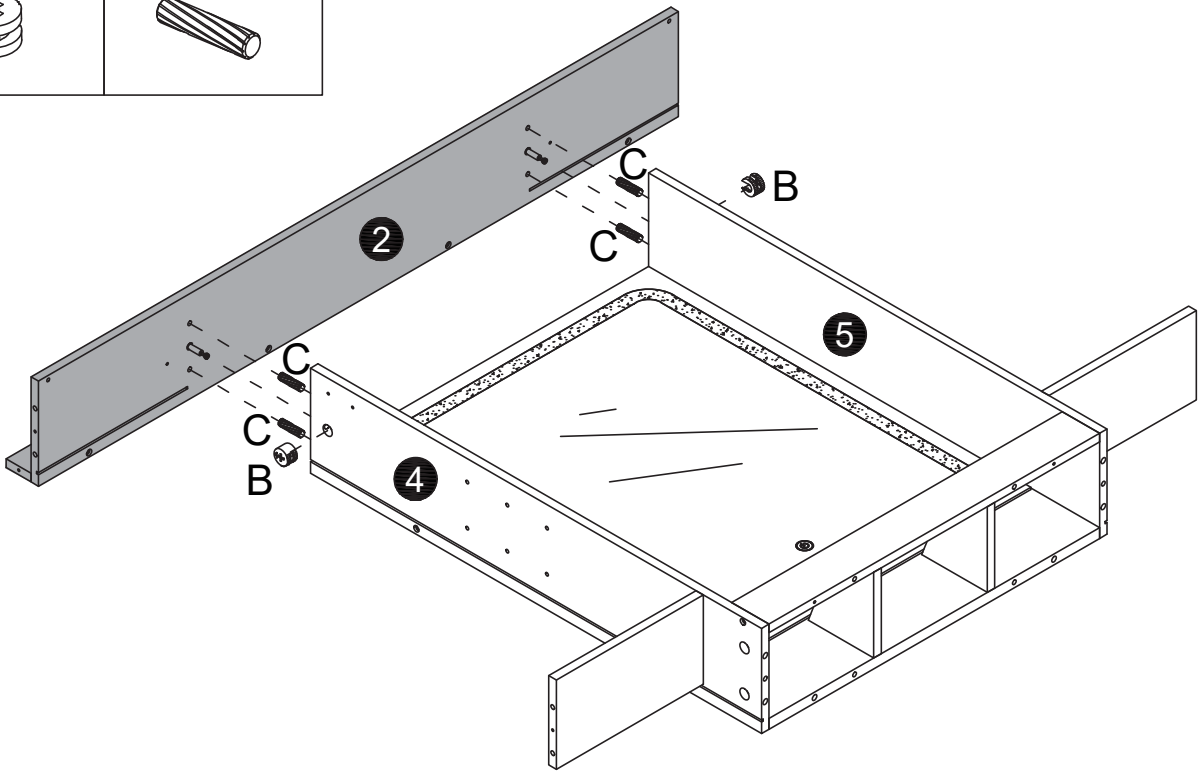
W x4



Note the position of the alignment holes

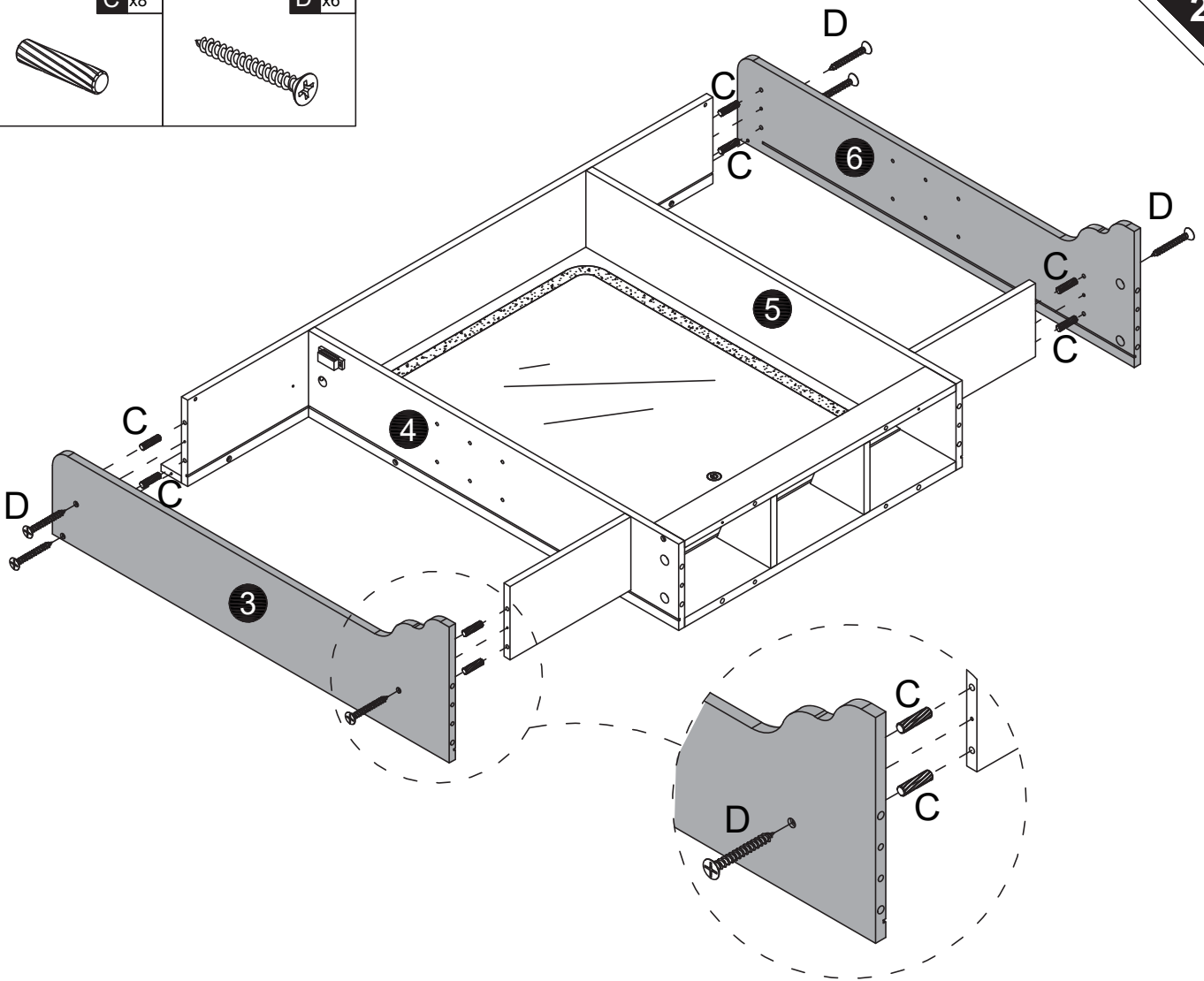
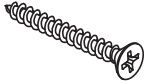
B x2

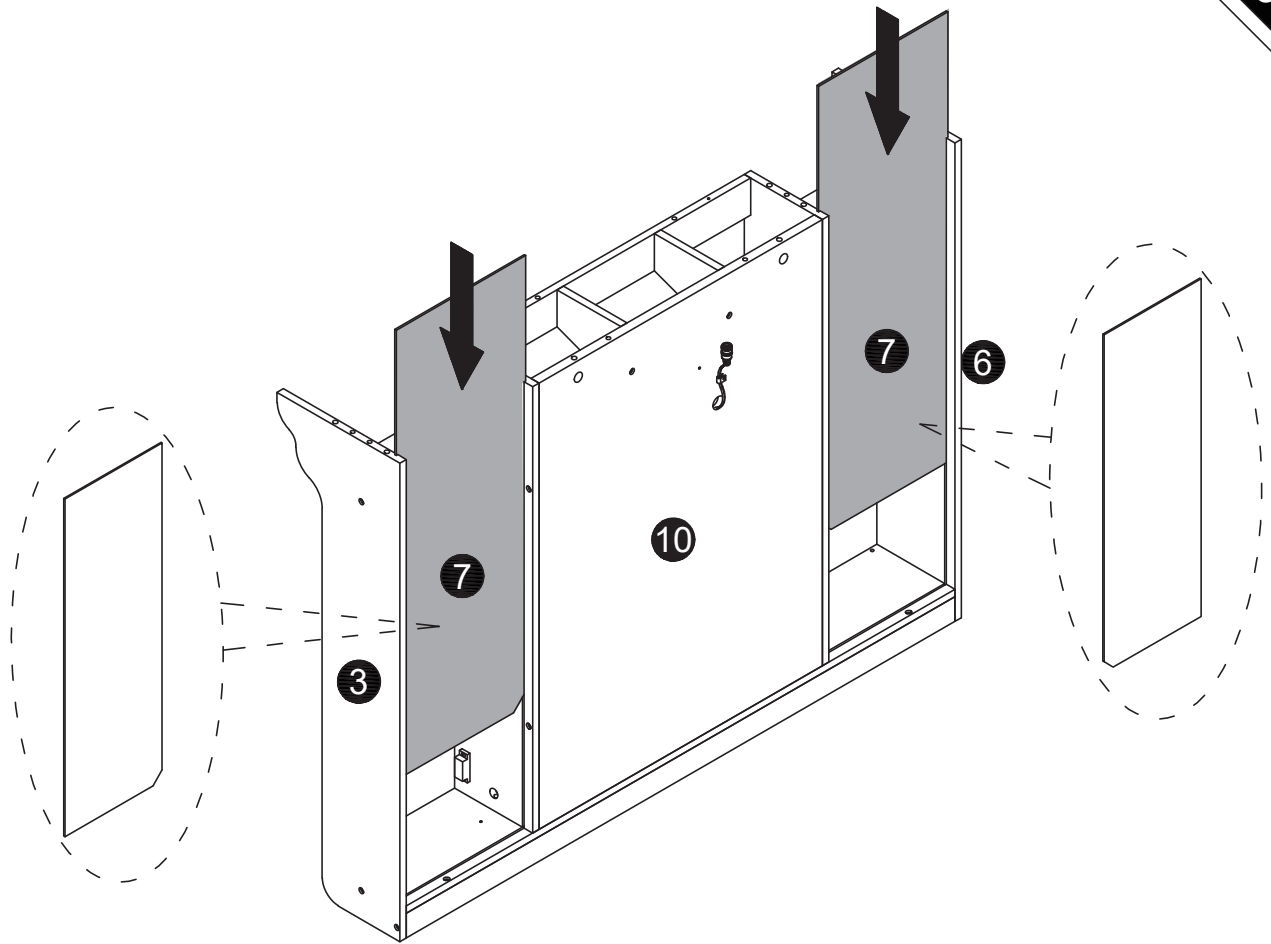
C x4



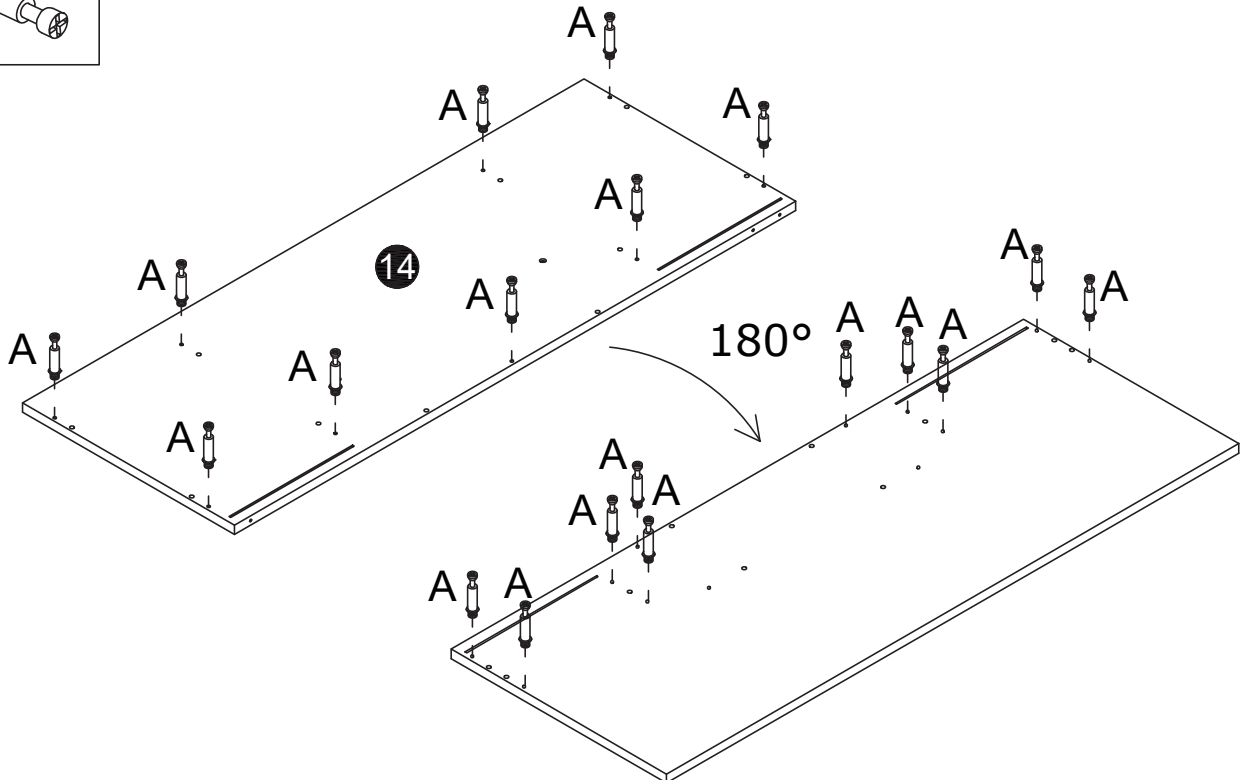
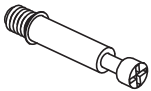
C x8

D x6





A x19



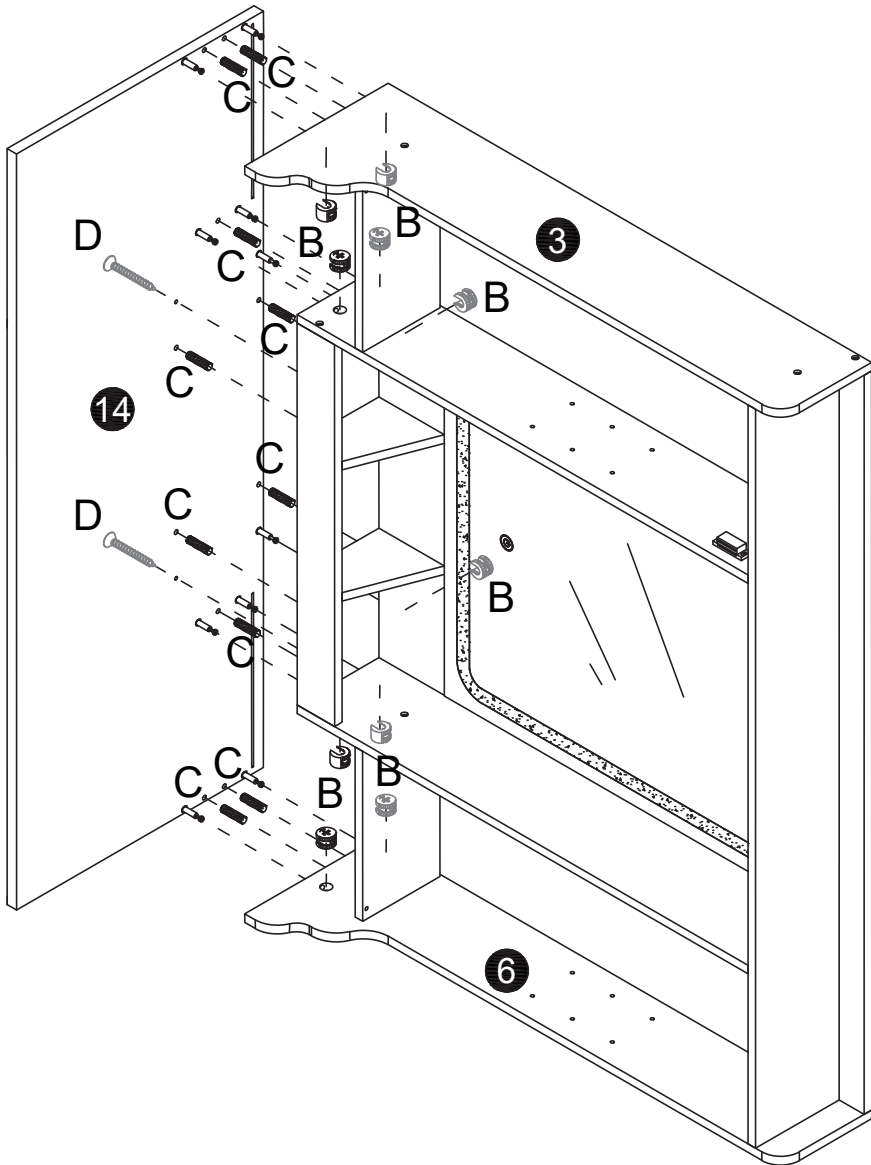
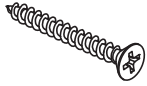
B x10

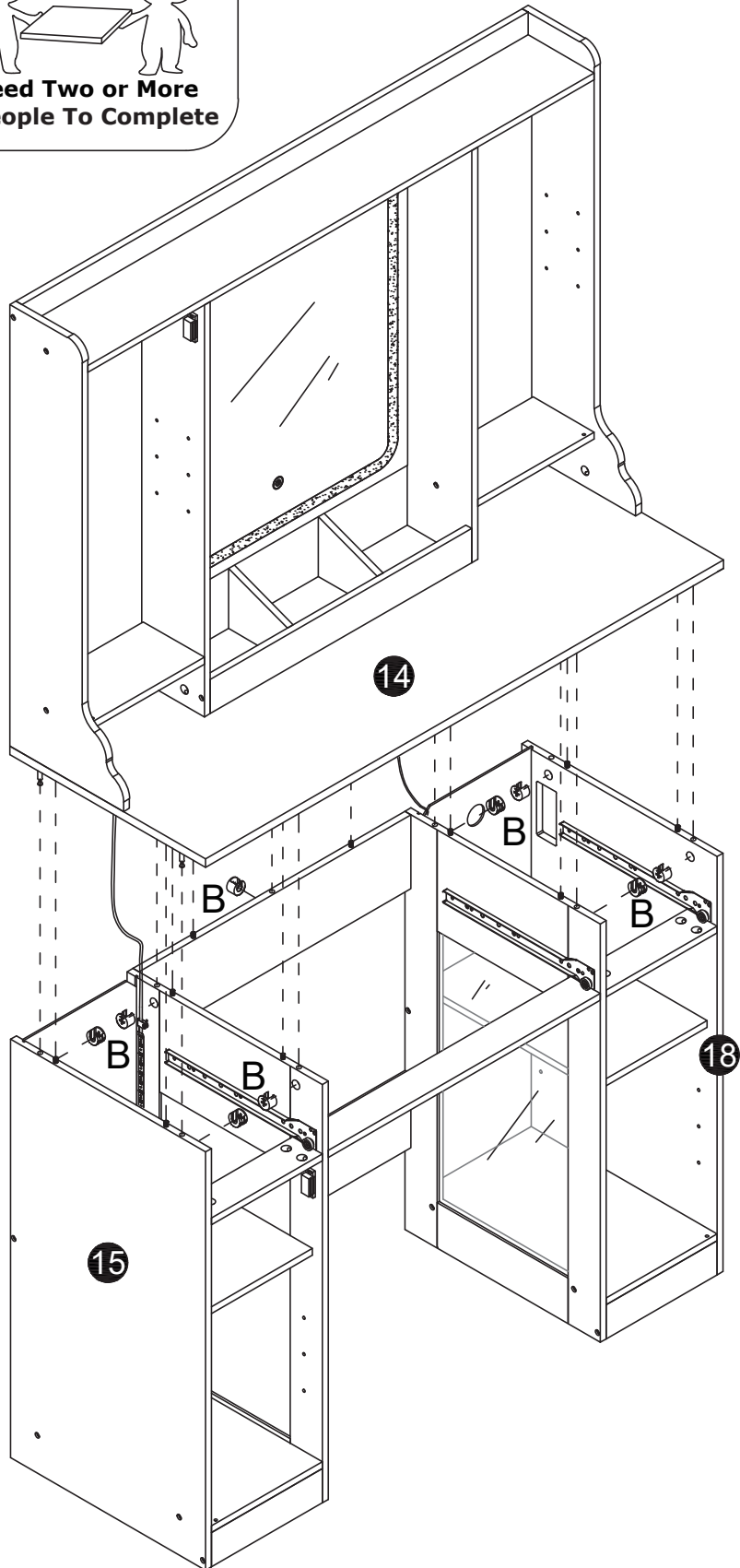
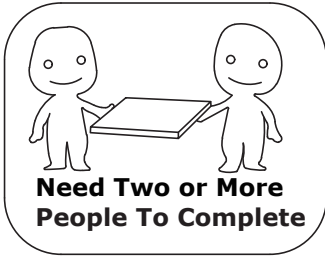


C x10



D x2





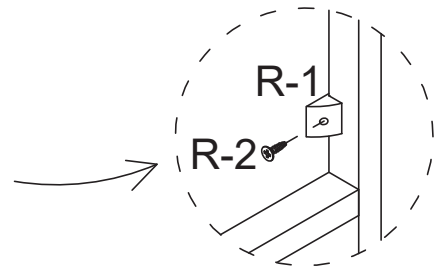
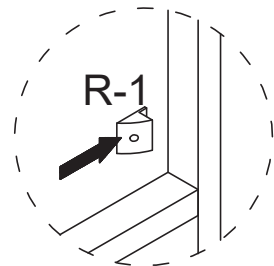
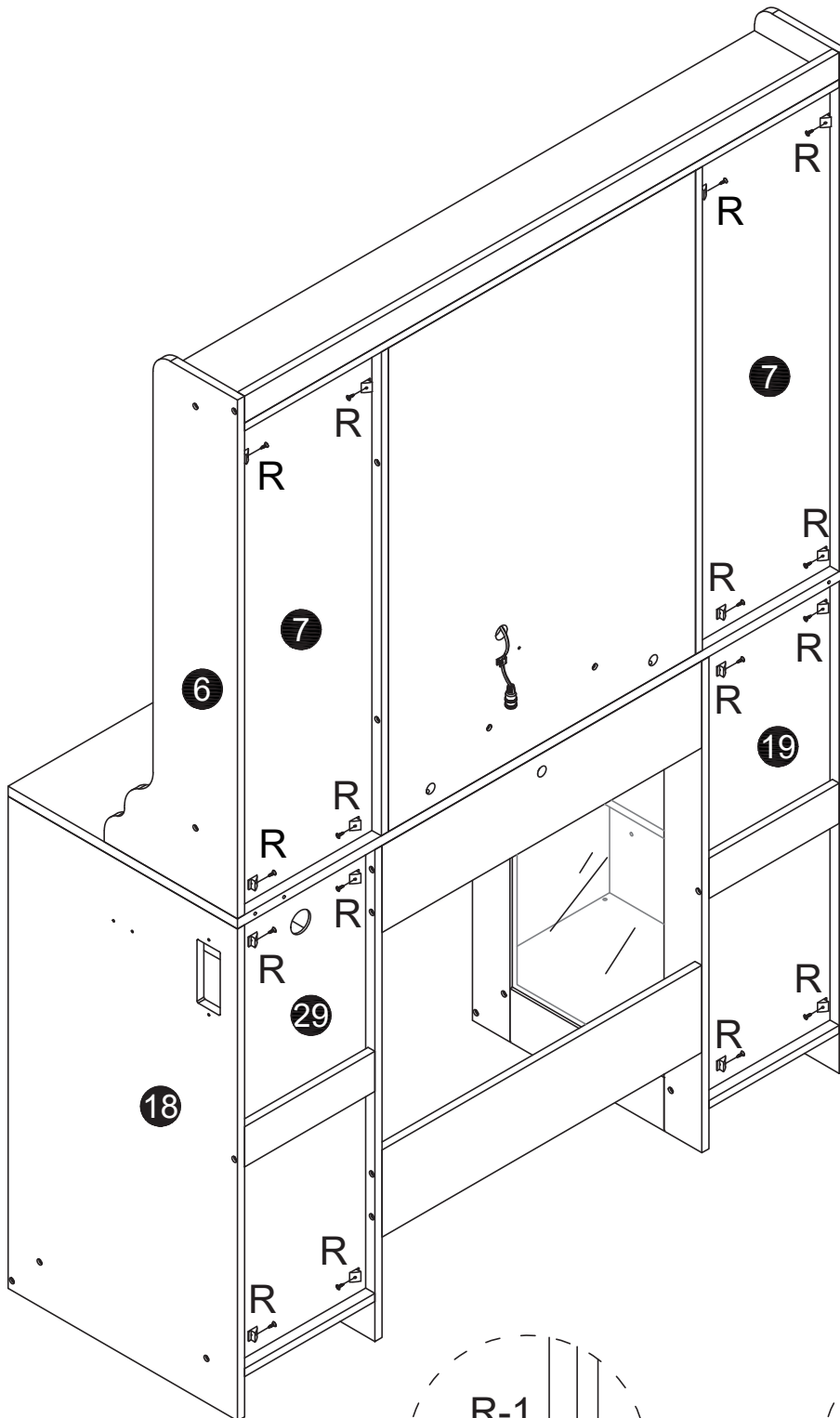
R x16

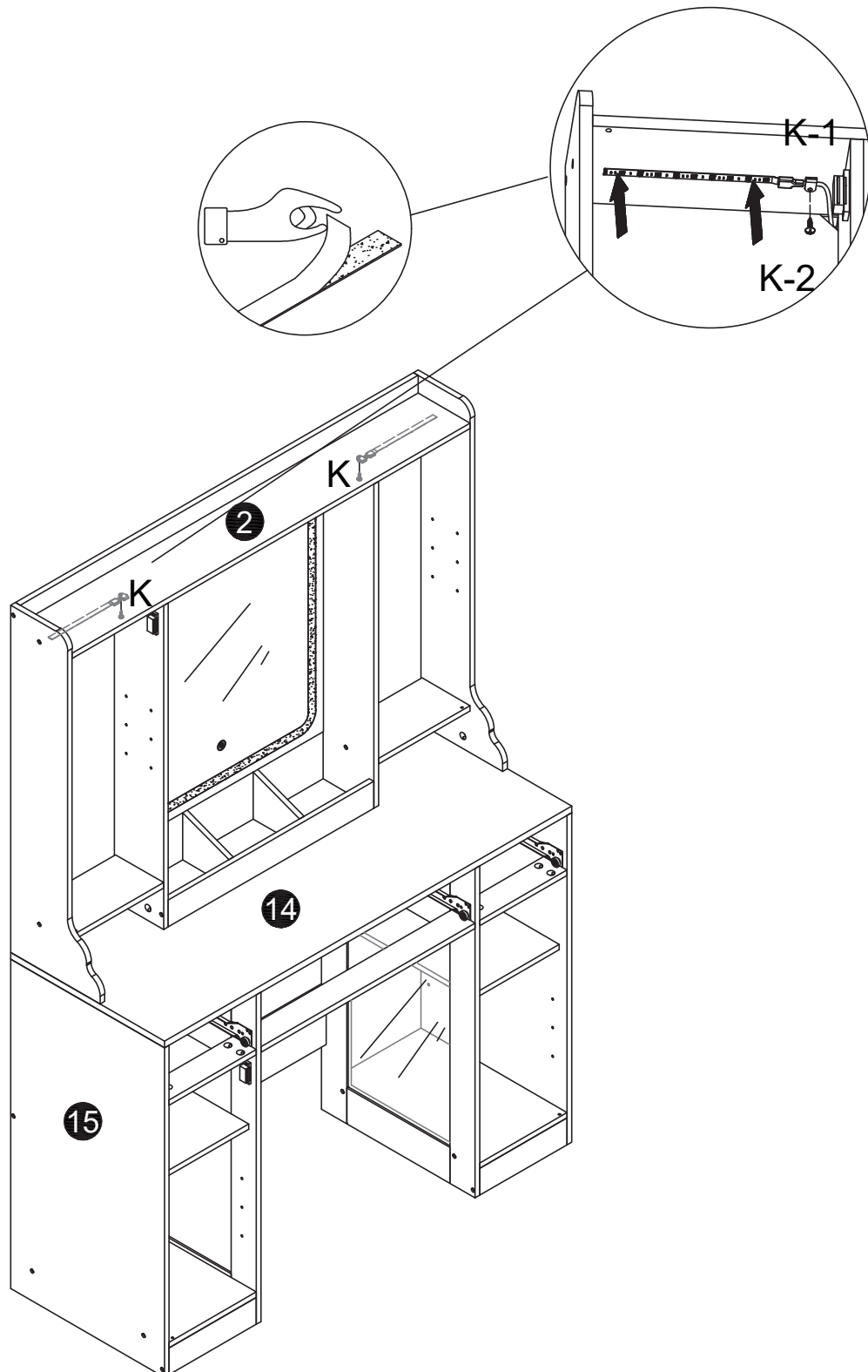
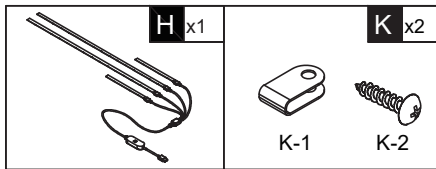


R-1



R-2





Note Plan the position before pasting. After removing the glue protective film on the back of the lamp belt, attach it to the side panel along the edge of the backplane, and finally lock the cable buckle to secure the lamp belt.

I x1

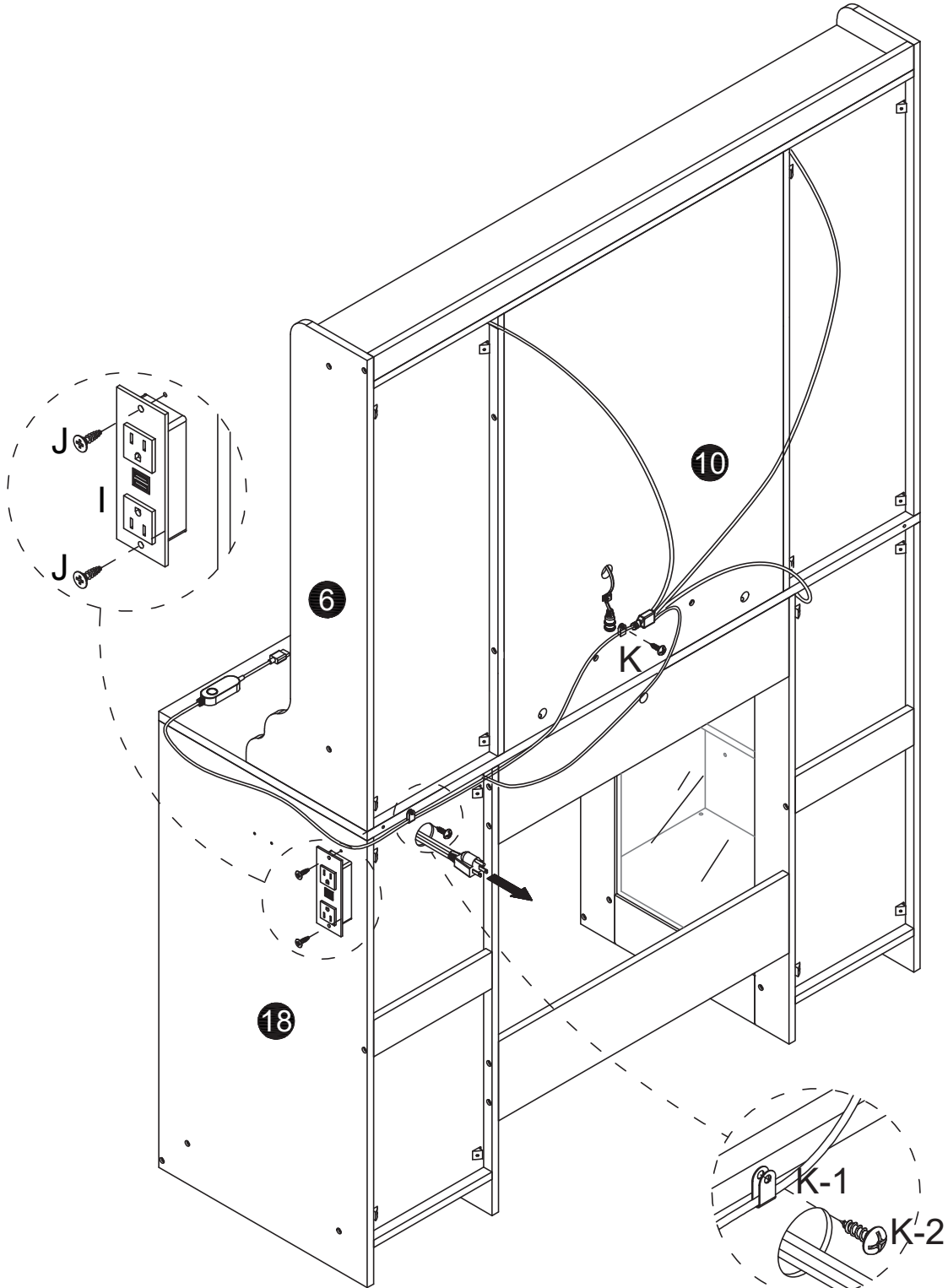
J x2

K x2



K-1

K-2



6

10

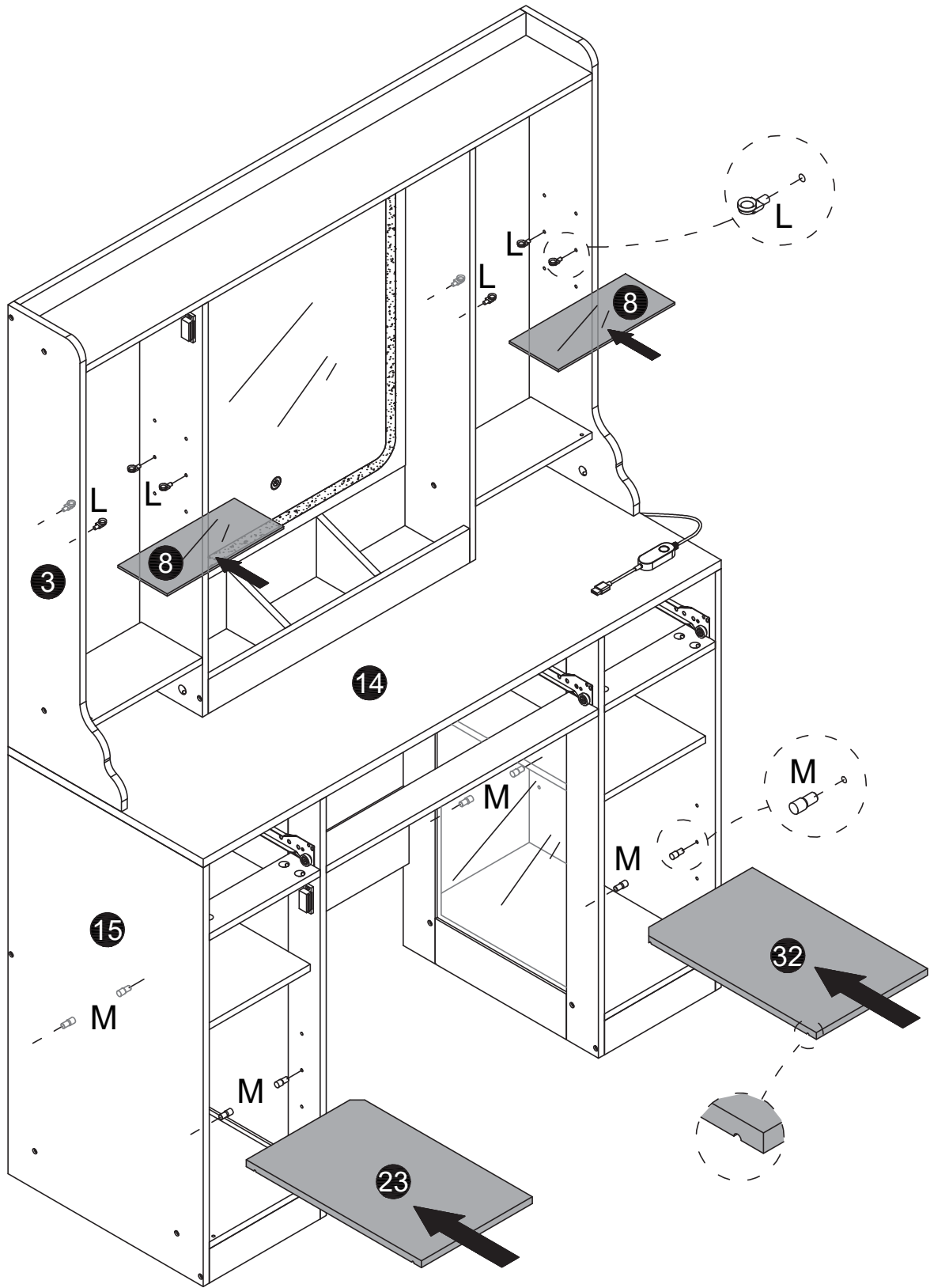
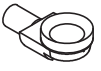
18

K-1

K-2

L x8

M x8

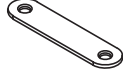


E x8

F x4

N x8

O x4



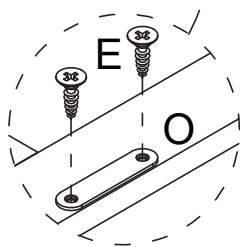
34

F-2

F-1

N

N



F-2

F-1

35

O

N

N

36

F-2

F-1

N

E

O

N

F-2

F-1

37

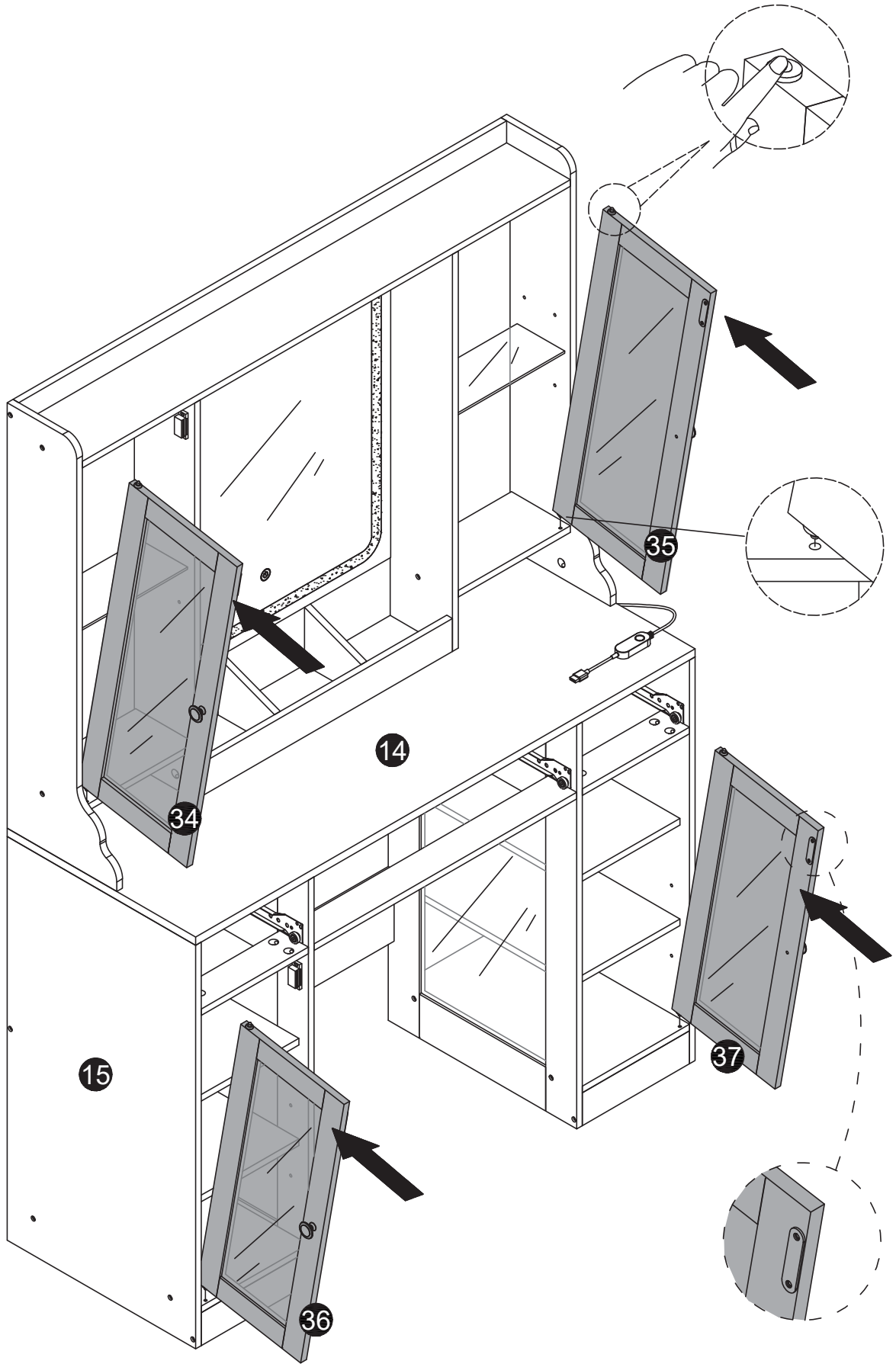
E

O

N



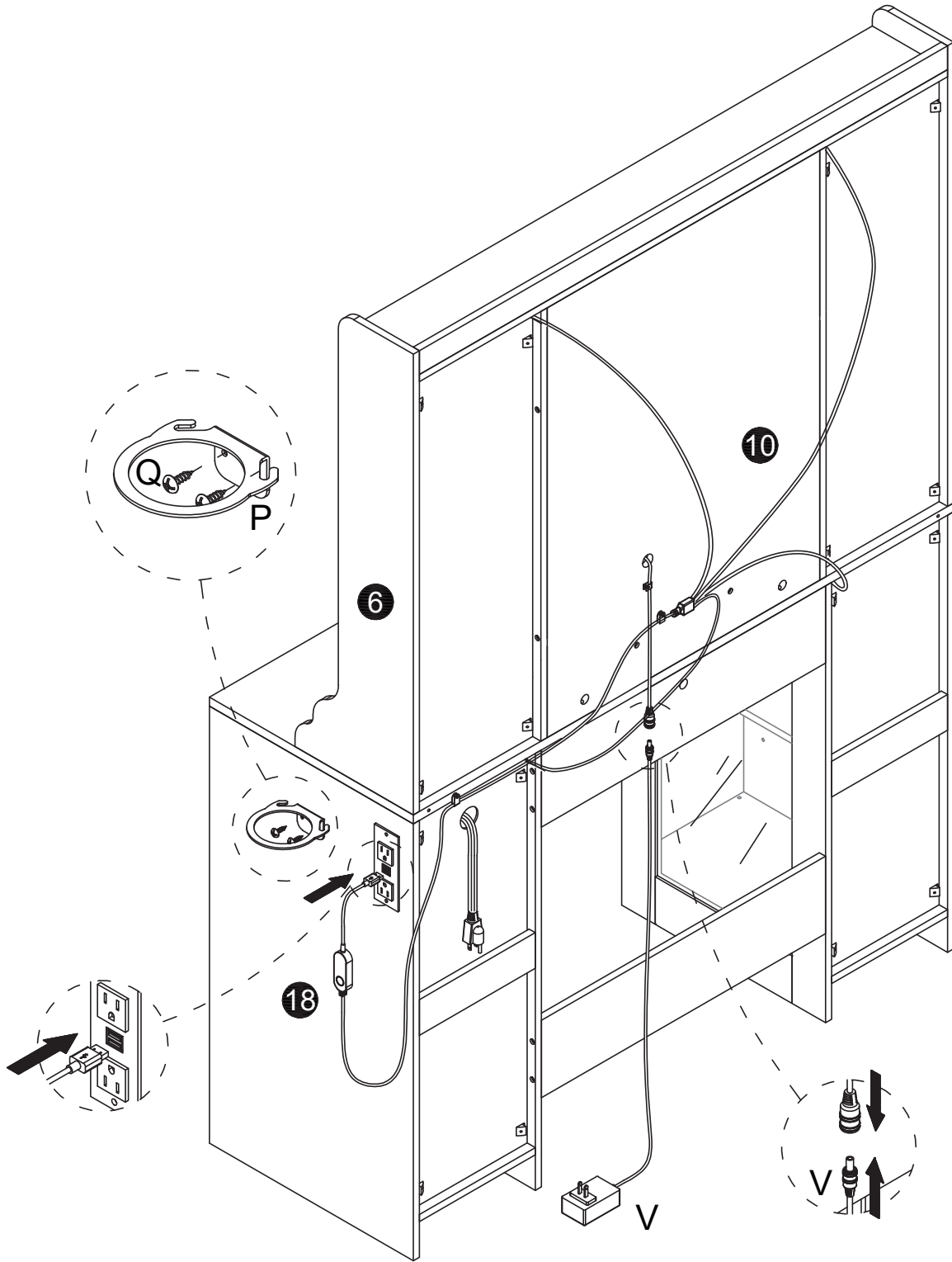
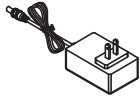
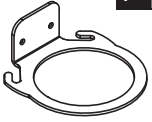
Handle front-end features a swivel design.



P x1

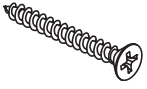
Q x2

V x1

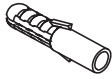


Done

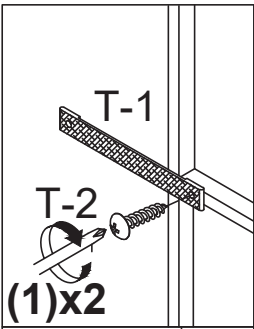
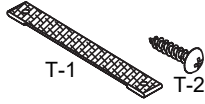
D x2



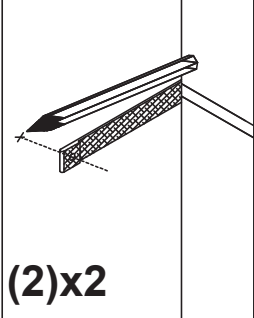
S x2



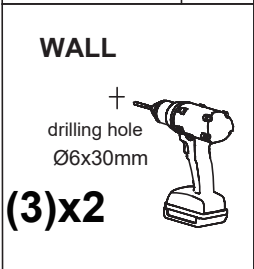
T x2



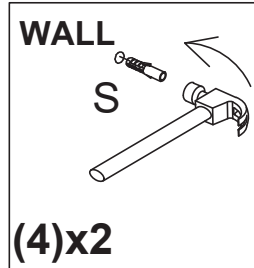
First fix the anti-rewind screw in the reserved hole of the product.



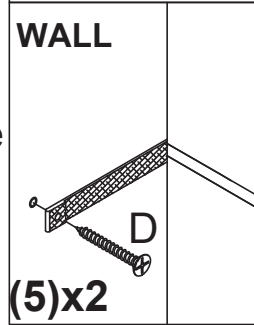
then, use a ruler to measure the approximate height of the product on the wall, and then mark it with a pen.



Then use a tape drill to make holes in the wall that are suitable for the product screws.

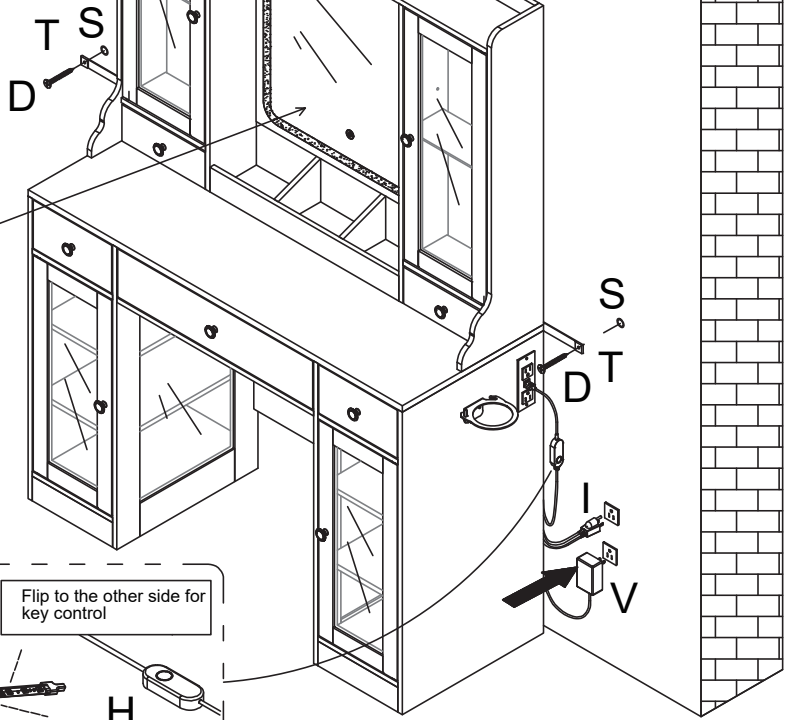


Then, put the expansion bolt into the hole



Finally, pass the matching screws through the "anti-rewind" and tighten them to fix them on the wall.

Please tear off the film on the outside of the mirror.



Scan qr code to download APP Bluetooth control

OR

Flip to the other side for key control

