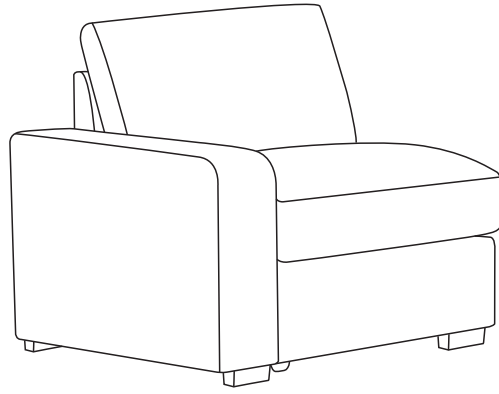
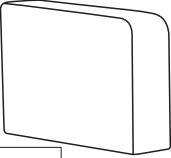
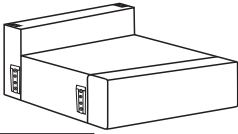
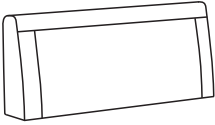
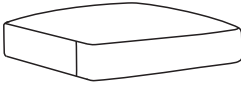
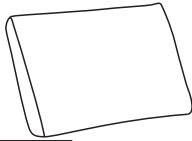


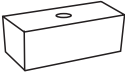




ASSEMBLY INSTRUCTION



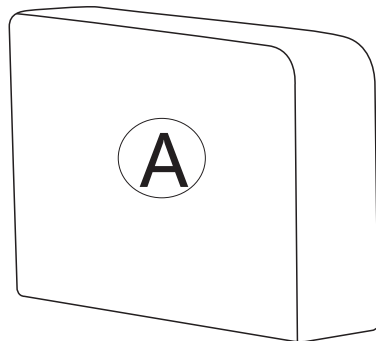
PARTS LIST

					
A	B	C	D	E	
X1	X1	X1	X1	X1	

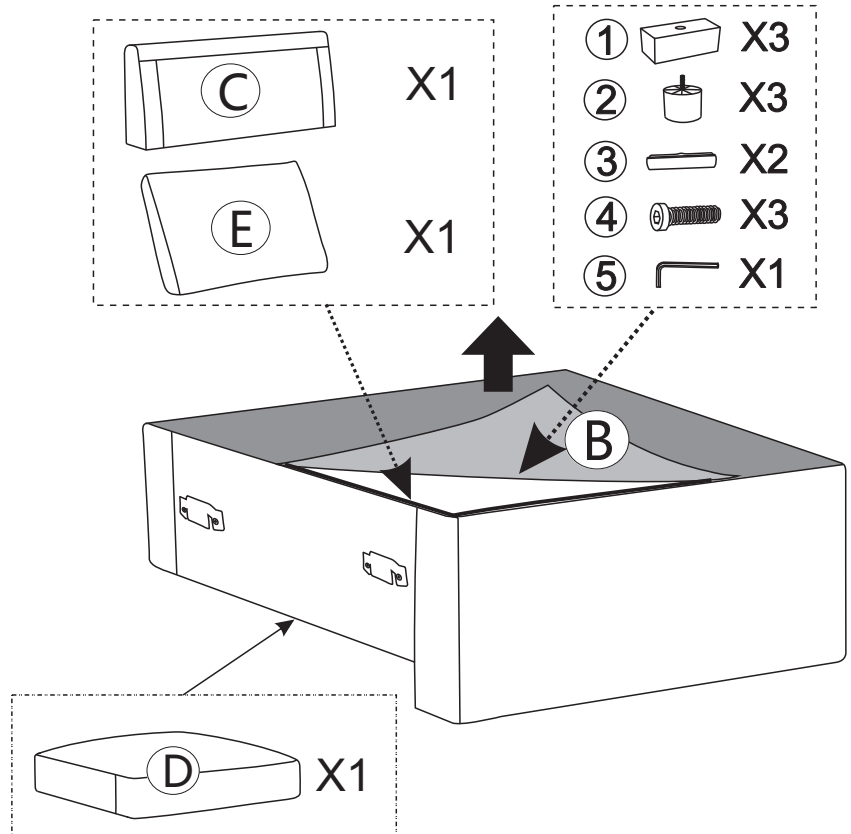
HARDWARE LIST

					
1	2	3	4	5	
X3	X3	X2	M8X60 X3	M5 X1	

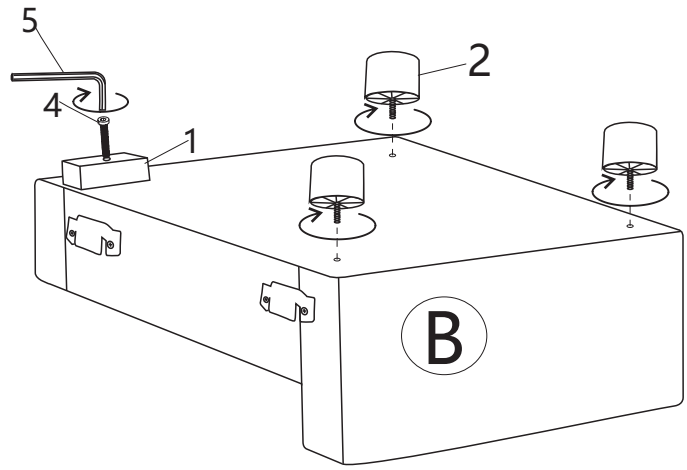
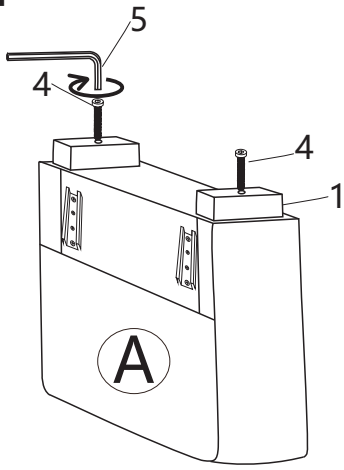
BOX-1



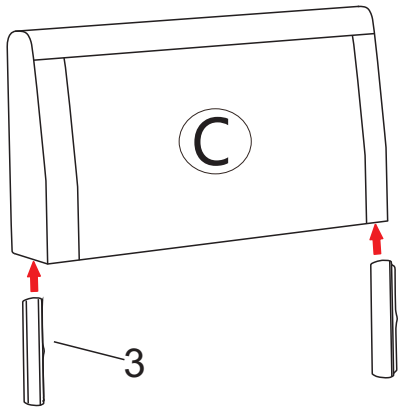
BOX-2



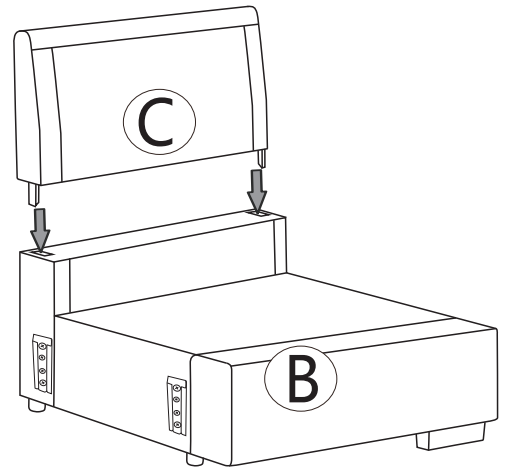
Step1



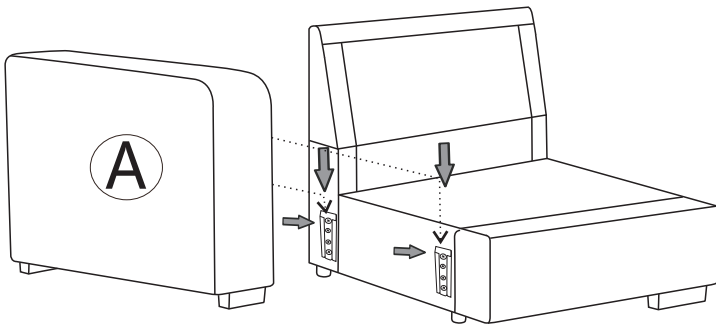
Step2 Please pay attention to follow this step to assemble!



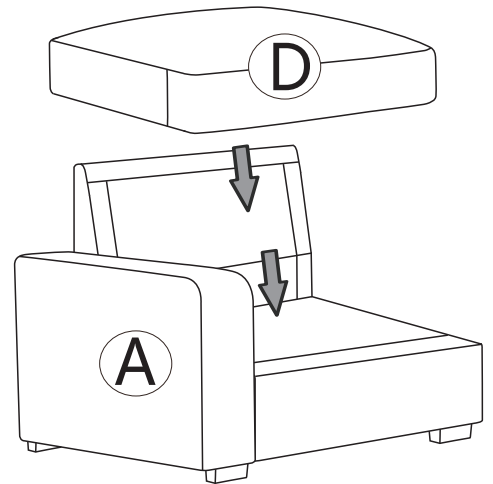
Step3



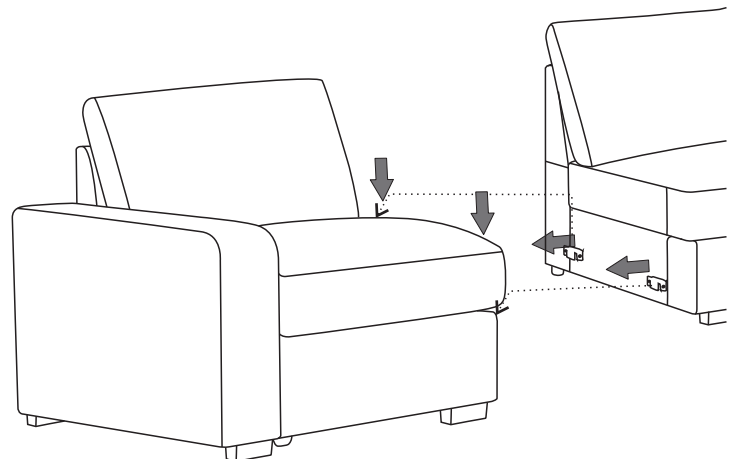
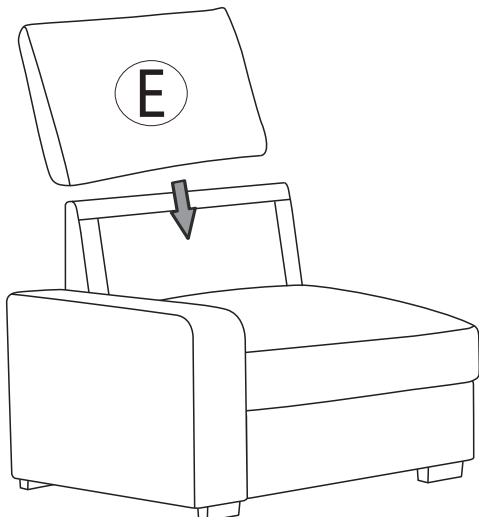
Step4



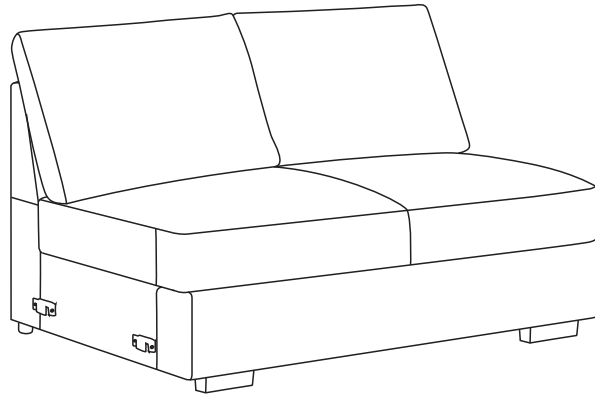
Step5



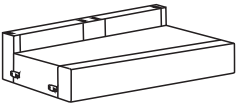
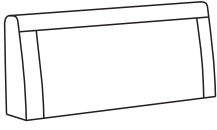

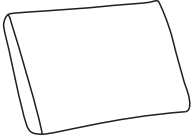
Step6



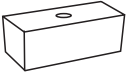


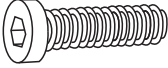

ASSEMBLY INSTRUCTION

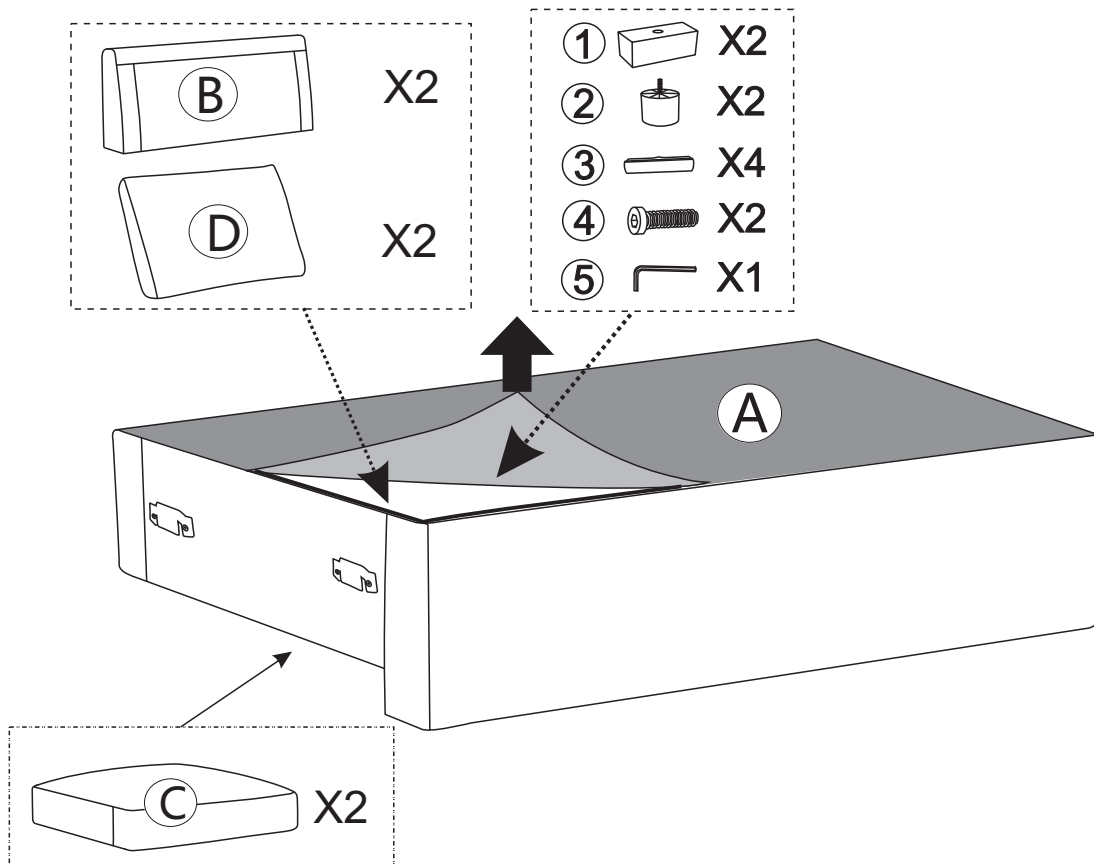


PARTS LIST

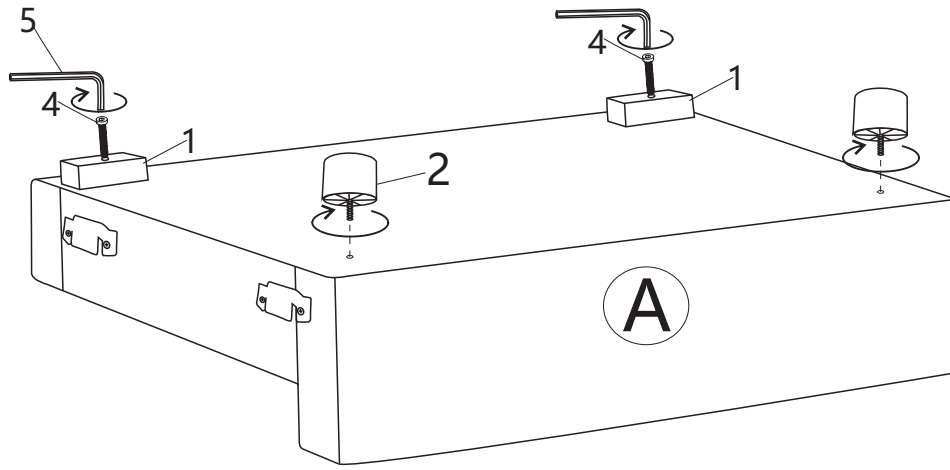
			
A	B	C	D
X1	X2	X2	X2

HARDWARE LIST

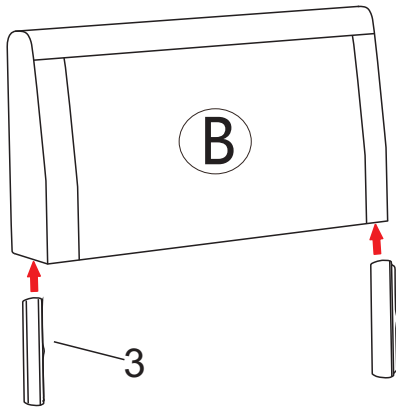
				
1	2	3	4	5
X2	X2	X4	M8X60 X2	M5 X1



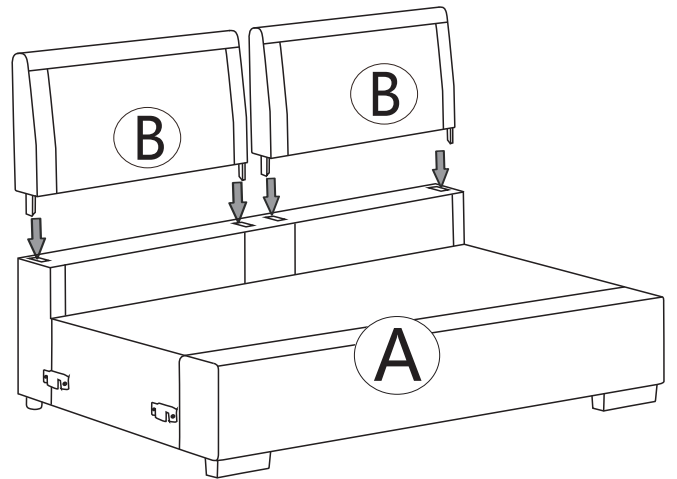
Step1



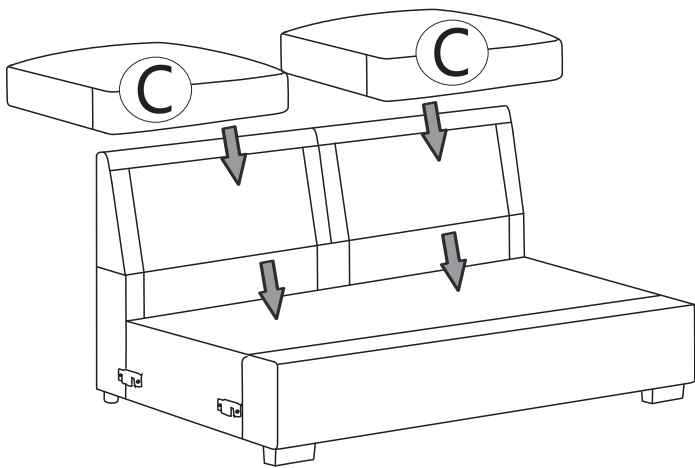
Step2 Please pay attention to follow this step to assemble!



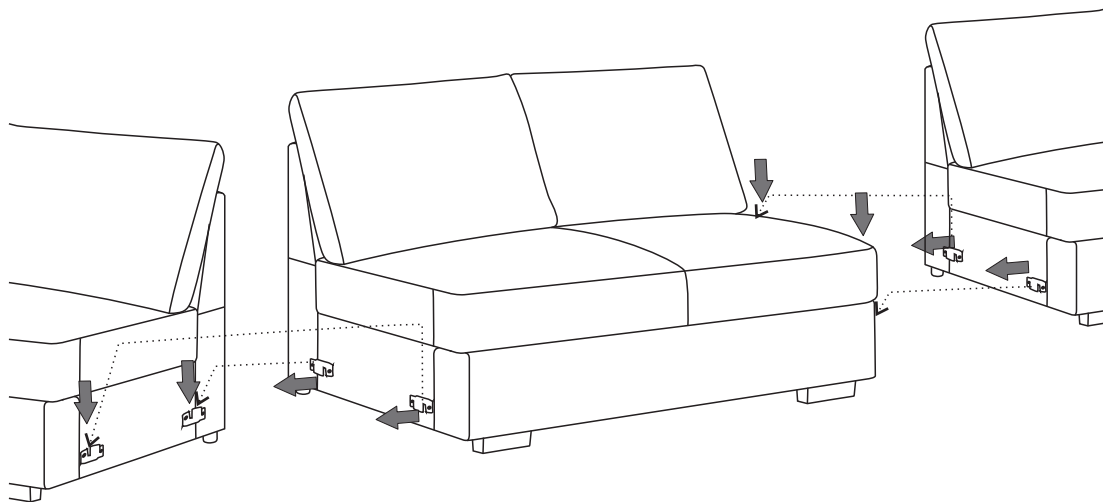
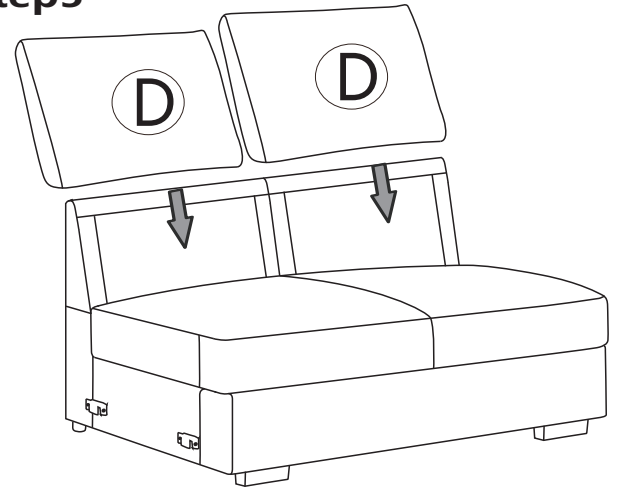
Step3



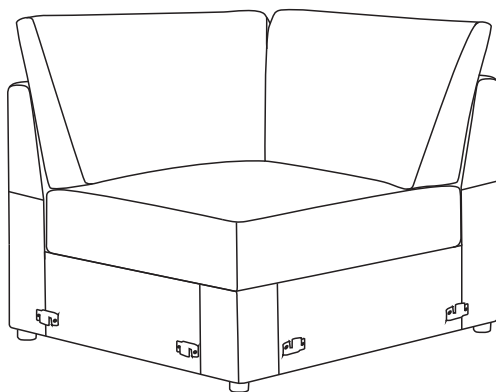
Step4



Step5



ASSEMBLY INSTRUCTION

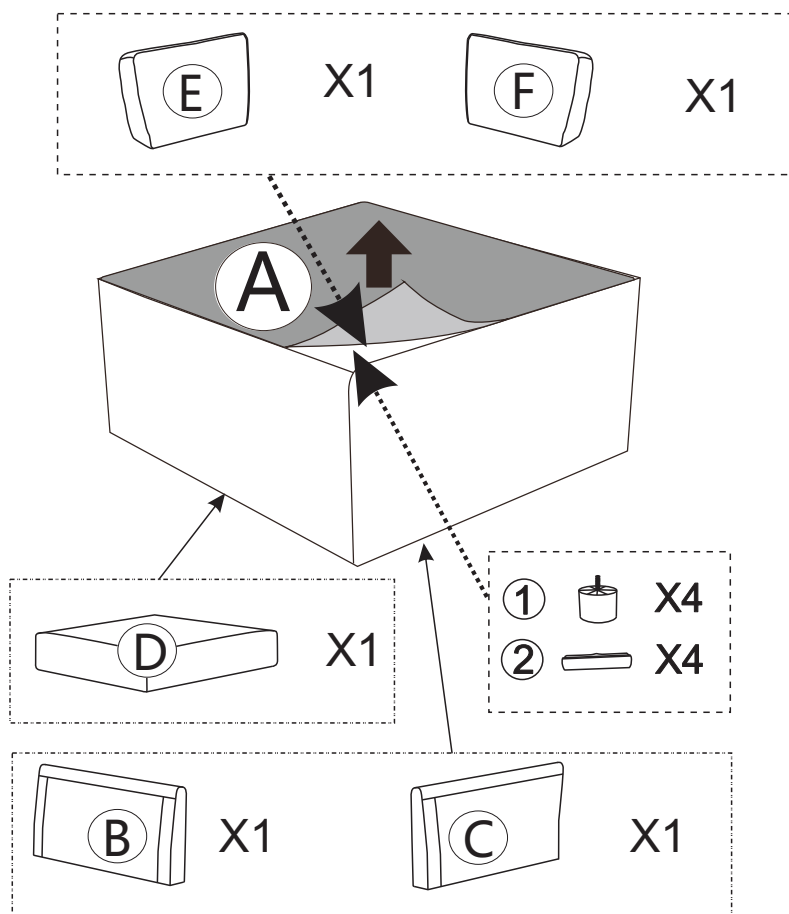


PARTS LIST

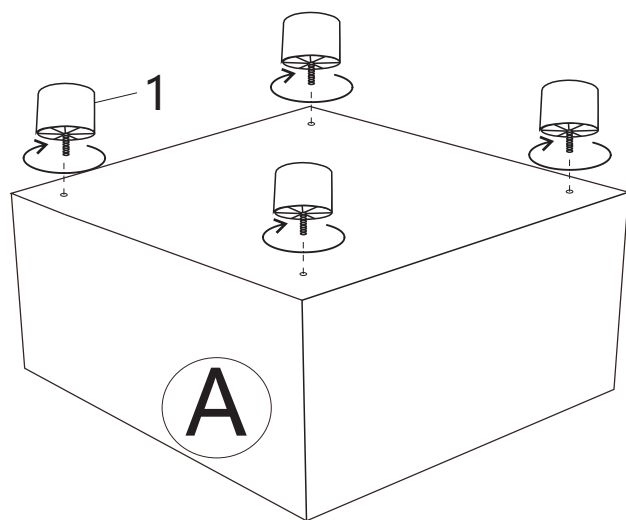
A	B	C	D	E	F
X1	X1	X1	X1	X1	X1

HARDWARE LIST

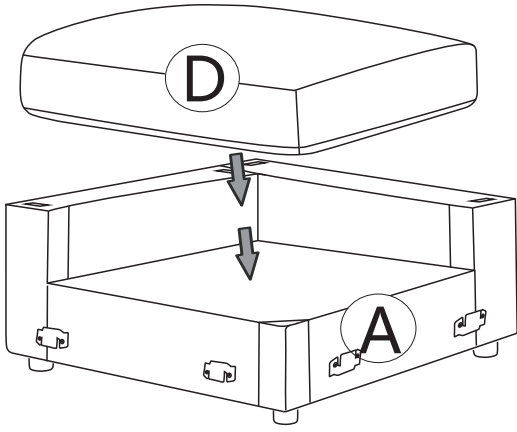
1	2
X4	X4



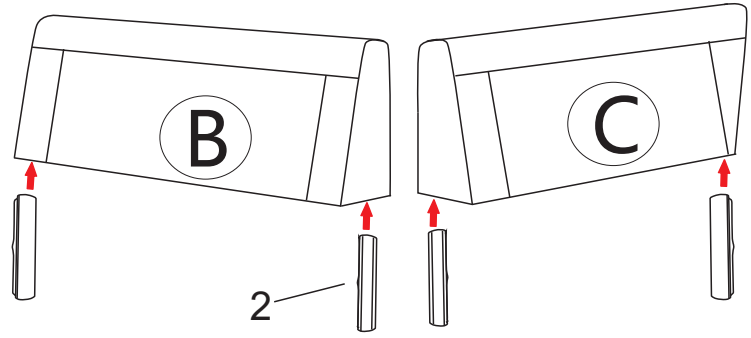
Step 1



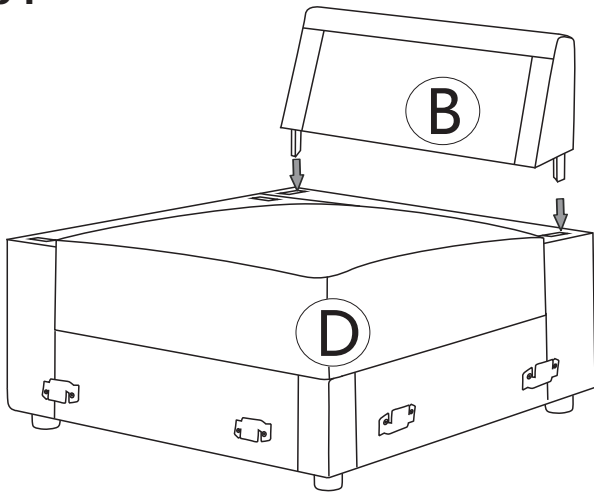
Step2



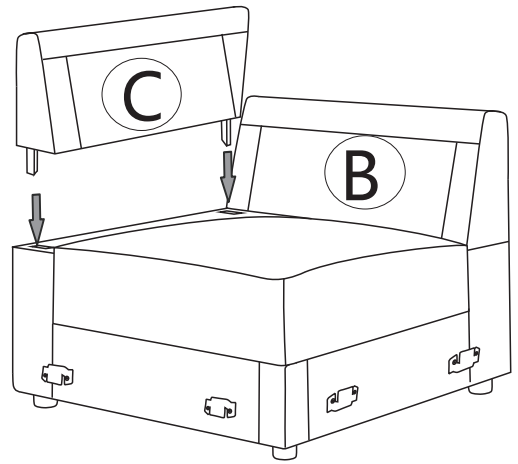
Step3 Please pay attention to follow this step to assemble!



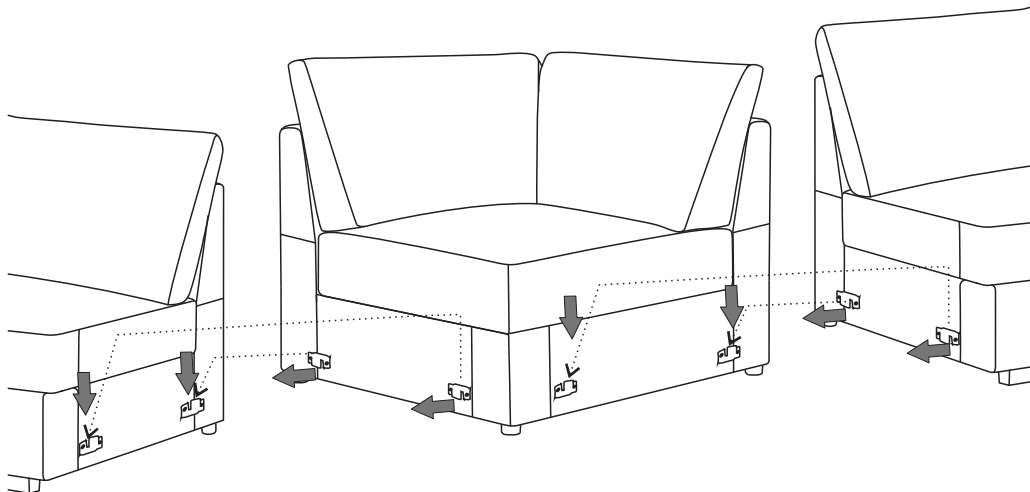
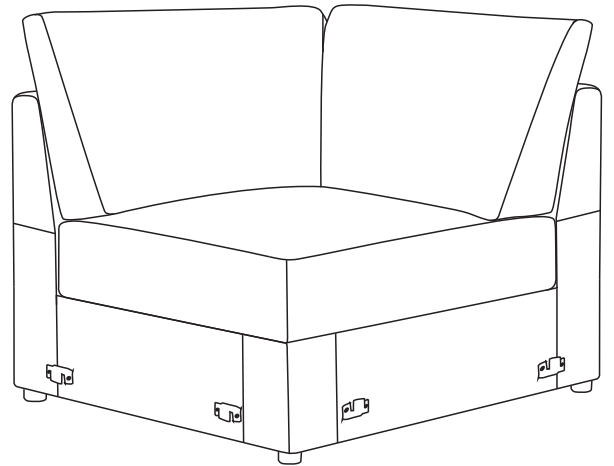
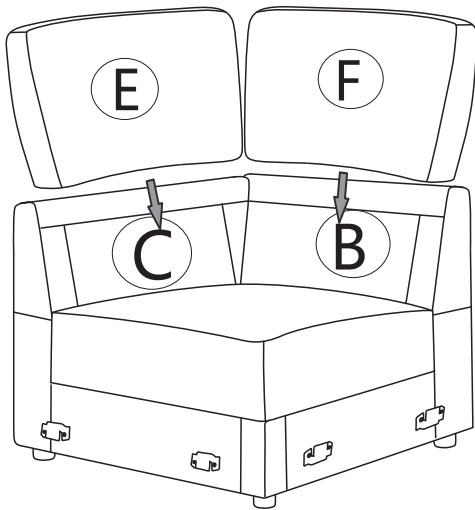
Step4



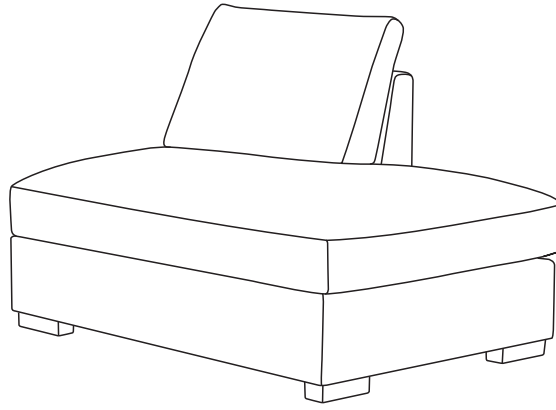
Step5



Step6



ASSEMBLY INSTRUCTION

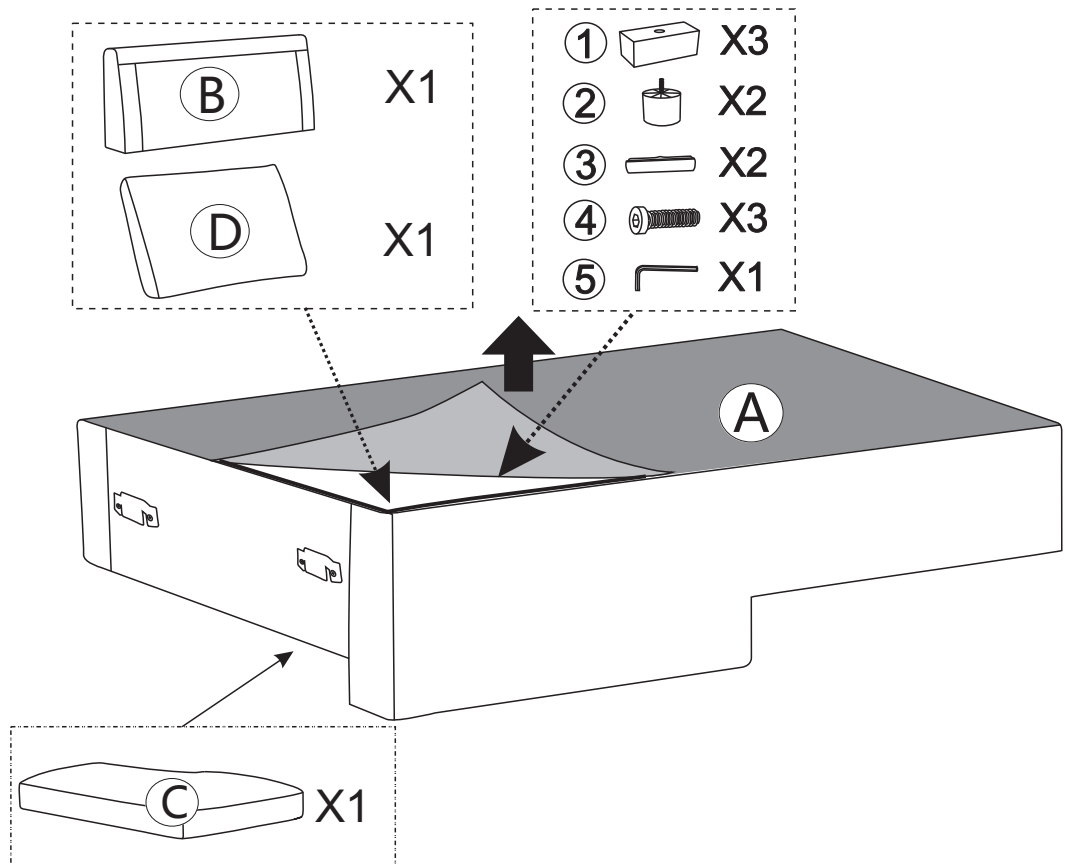


PARTS LIST

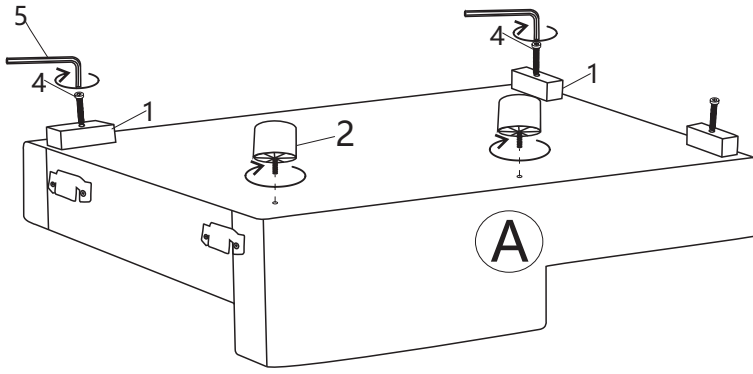
A	B	C	D
X1	X1	X1	X1

HARDWARE LIST

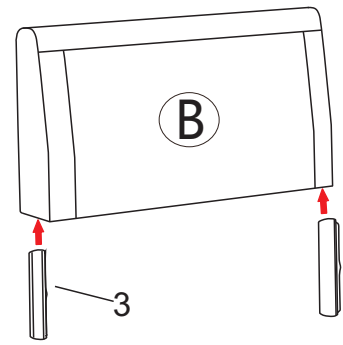
1	2	3	4	5
X3	X2	X2	M8X60 X3	M5 X1



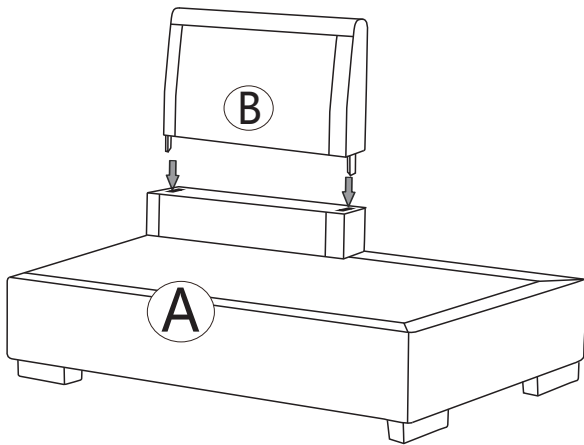
Step1



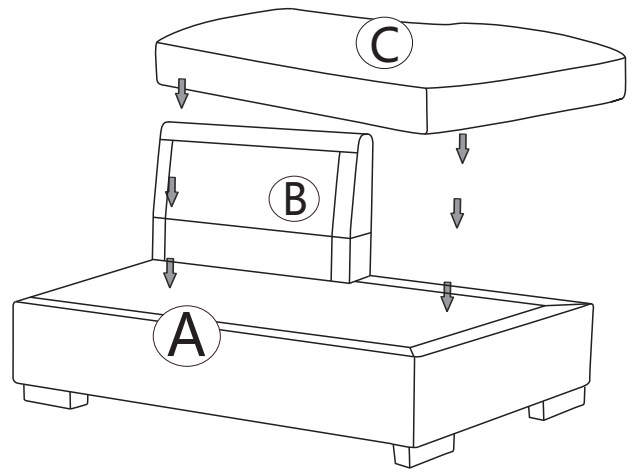
Step2 Please pay attention to follow this step to assemble!



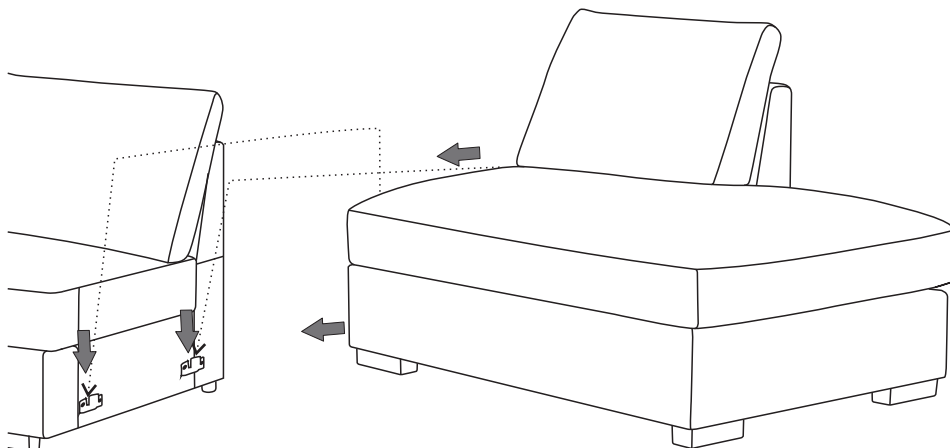
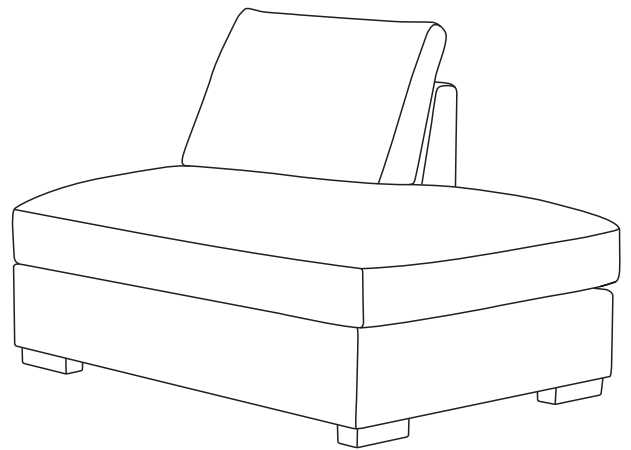
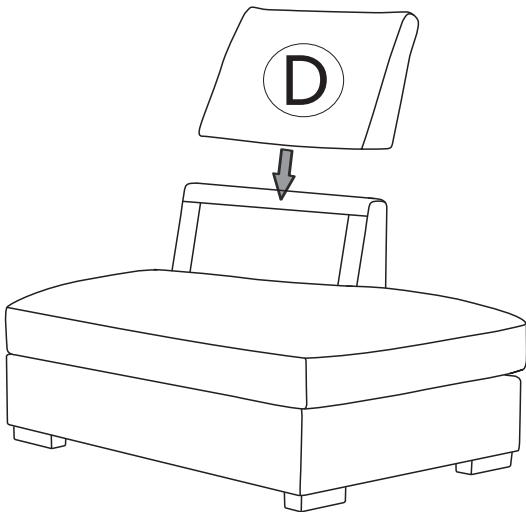
Step3



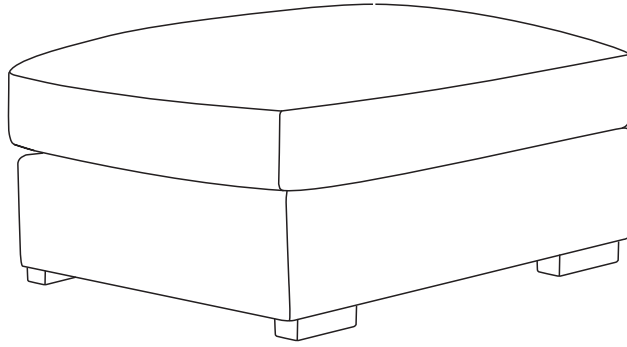
Step4



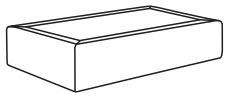
Step5



ASSEMBLY INSTRUCTION



PARTS LIST



A

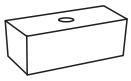
X1



B

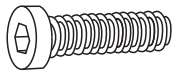
X1

HARDWARE LIST



1

X4



M8X60

2

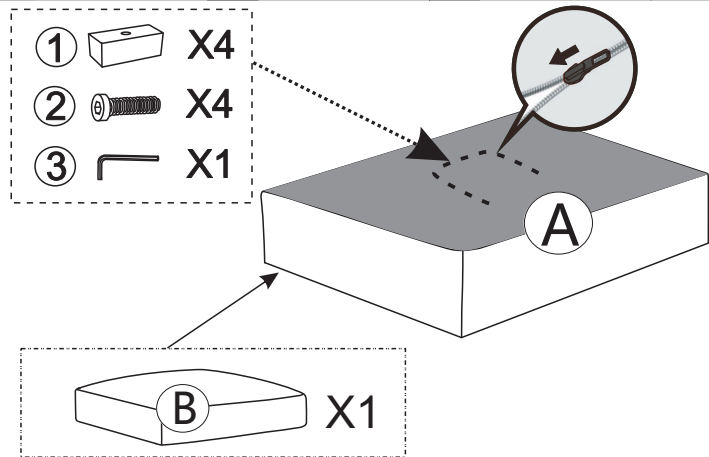
X4



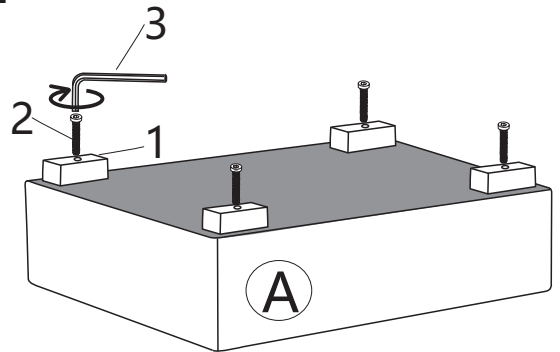
M5

3

X1



Step1



Step2

