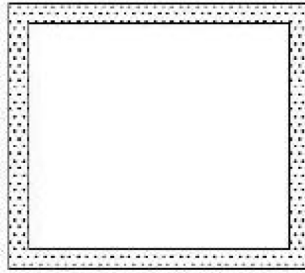


# INSTALLATION INSTRUCTIONS

Apply to the below style of LED Backlit Mirrors



Please read carefully and save these instructions.

Don't discard any of the packaging until you are sure that you have all of the parts and the fittings.

**Make sure power to the junction box is off before commencing installation.**

## IMPORTANT

- Unpack mirror. DO NOT lay mirror on tiled or concrete surface prior to installation. Mirror must be on protected surface to prevent chipping of the corners.
- Care must be taken before drilling pilot holes to avoid any existing wiring or pipe work that may be concealed.
- A certified electrician must perform all work. The mirror must be connected to a GFI.
- The anti-fog mat operates only when the LED light is turn on by the touch sensor.

## INSTALLATION

Please refer the installation diagram on the back of the page.

- 1) Unpack the LED mirror and prepare tools needed.( See Pic.1 )
- 2) Make sure the measurement on the carboard screw holes are matching up with aluminum base on the mirror back, then mark the screw holes according from the carboard with pencil.(See Pic.2)
- 3) Drill holes, and put in the plastic plugs, then fix the aluminum bar by screws and twisting the T shape nail to the wall.(See Pic.3&Pic.4);
- 4) Plug to the socket in the wall.(Make sure the power off)
- 5) Hanging the LED mirror with aluminum bar and lock it with the anti-pull iron sheet by using the spanner provided at the fittings bag.(See Pic.5&Pic.6)
- 6) Turn the light and anti-fog function by the dimmable sensor switch, see details as below:

Button:

- 1: Power control for LED Light and anti-fog, press the button (tip on it);
- 2: Long press for color tempereture control, 3000K~6000K adjusting. It will change gradually (3000k~6000k); level(warm yellow 3000K-warm white 4000K- cold white 6000k)

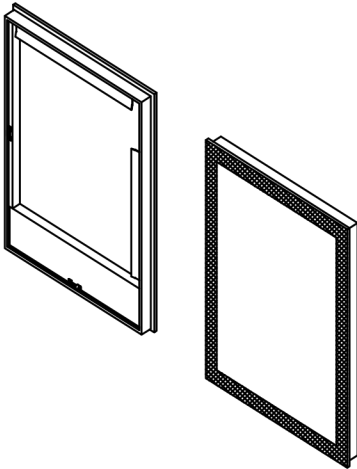
## MAINTENANCE

Wipe clean with a soft damp cloth. Apply glass cleaner to cloth and do not apply directly to mirror.

**Never use abrasive cleaners as these could damage the finish or exposed LED strips.**

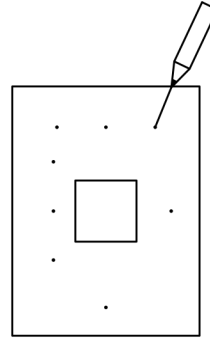
# INSTALLATION DIAGRAM

1

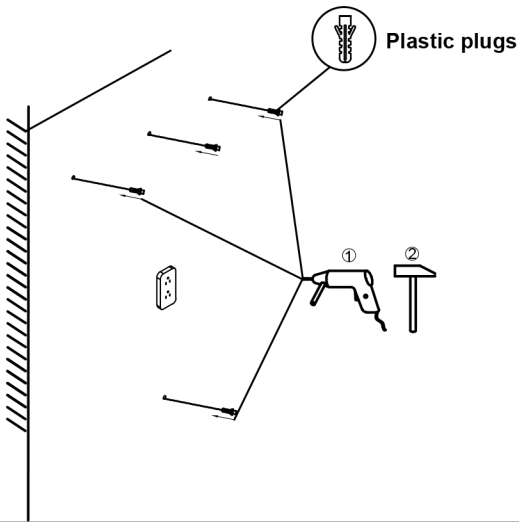


2

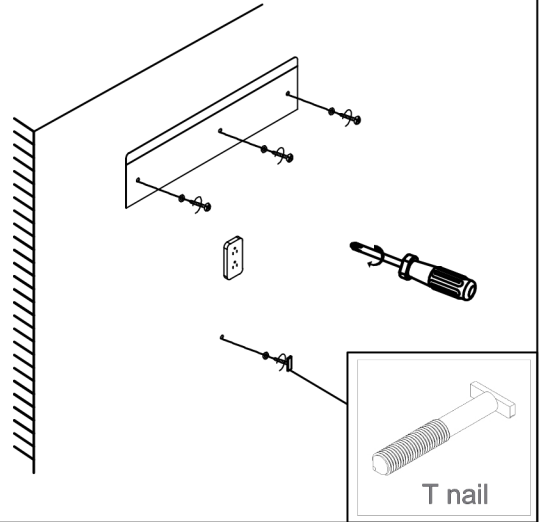
Horizontal and Vertical measurement



3



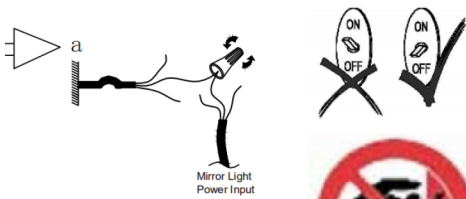
4



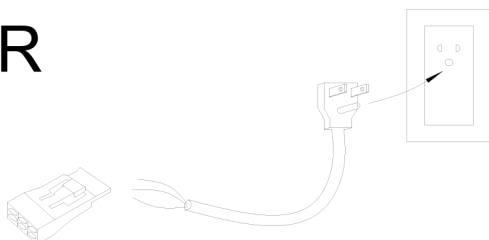
5

## WIRING DETAILS

INCOMING SUPPLY		MIRROR WIRING	
SWITCHED LIVE	L	BLACK or LABELED - L	
EARTH (GREEN/YELLOW SLEEVED COPPER)	⊕	GREEN - E	
NEUTRAL	N	WHITE or LABELED - N	

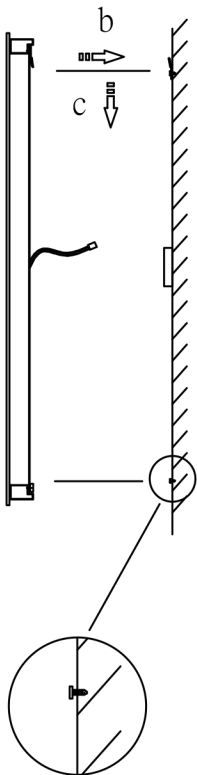


OR



## WIRING DETAILS

MIRROR WIRING		WIRE WITH PLUG	
BLACK or LABELED - L	L	BLACK or LABELED - L	
GREEN - E	⊕	GREEN - E	
WHITE or LABELED - N	N	WHITE or LABELED - N	



6

