

NOTE:

This brochure contains IMPORTANT safety info. Please read and keep for future reference.

MAINTAINANCE

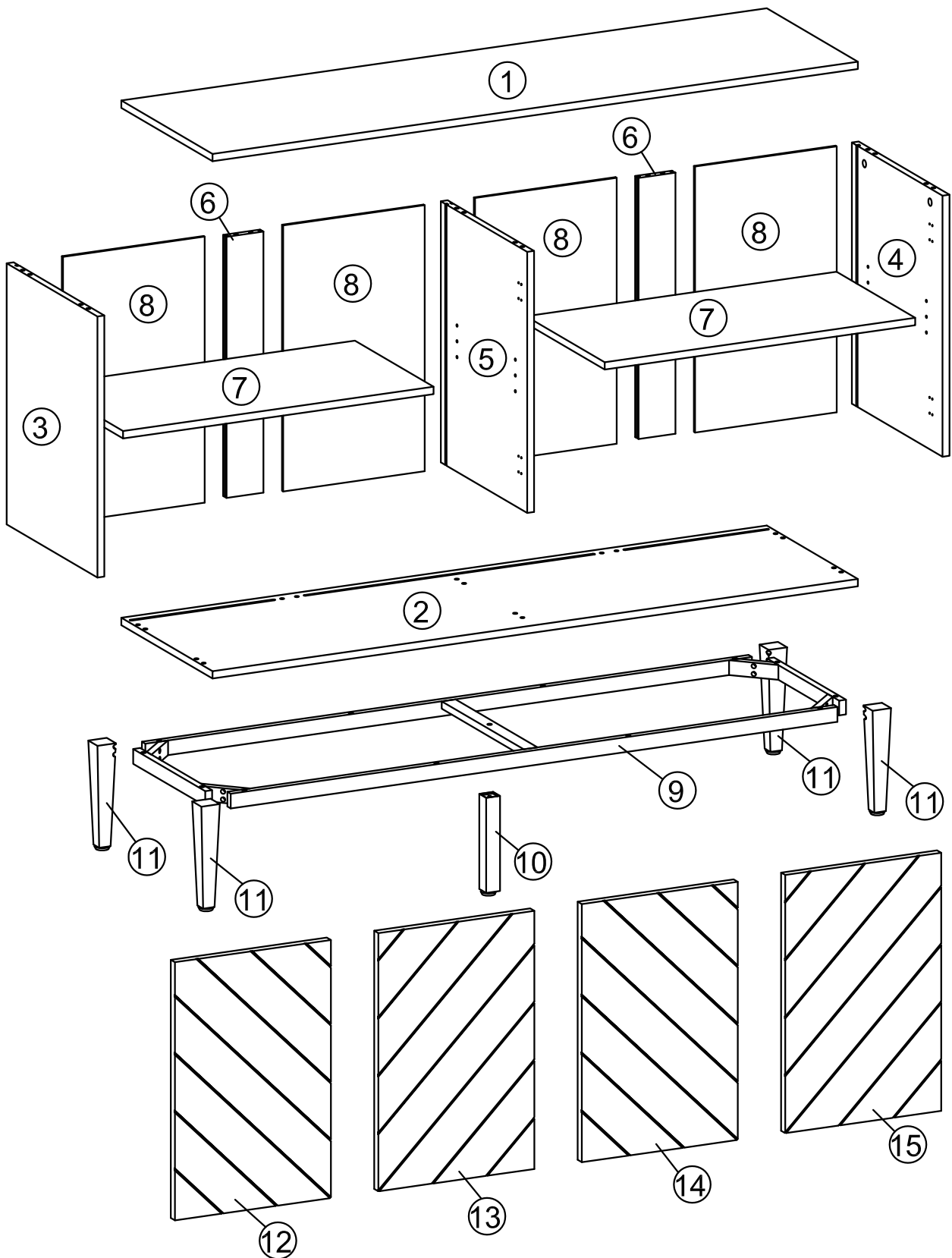
AND WARNING

- Keep furniture away from heat.
- Do not clean furniture with harsh cleansers or polish. Do not use detergents, Solvents, abrasives, spray packs or leather cleaner. Use non-color mild soap with warm water clean spills(Mix 1:10 soap to water)
- Do not place furniture under direct sunlight, material will possibly fade over time.
- Do not use on site dry Cleaning machine.
- Children should not climb or jump on the furniture.
- Do not write on furniture without a padded barrier to protect the surface.
- Not for commercial use, For residential use only.



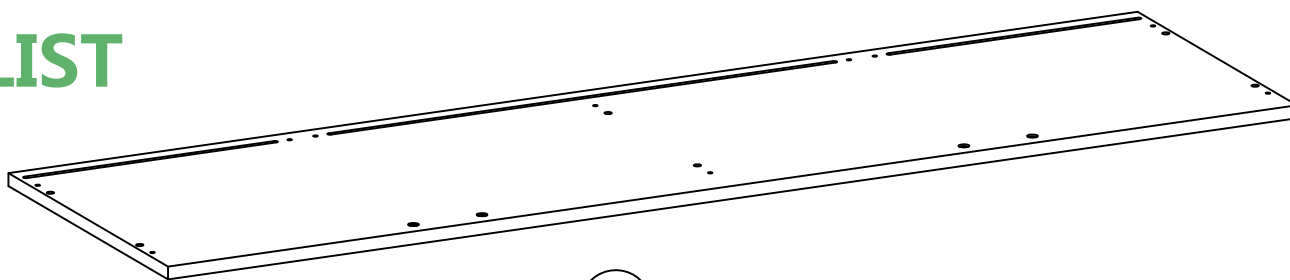
Weight Limitation

80LBS

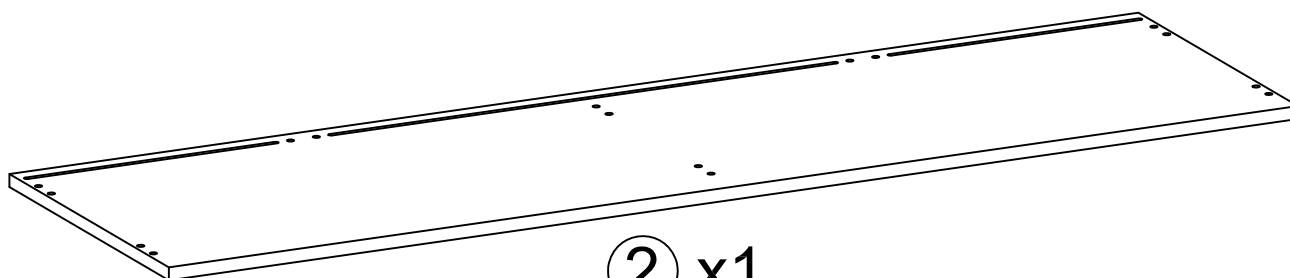


OVERVIEW

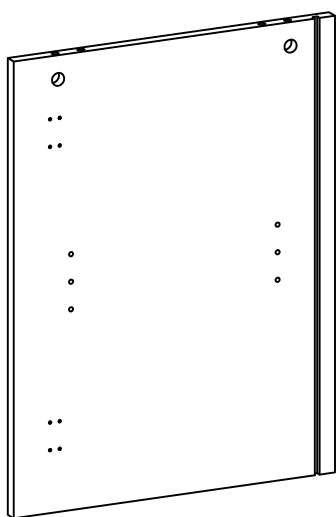
PARTS LIST



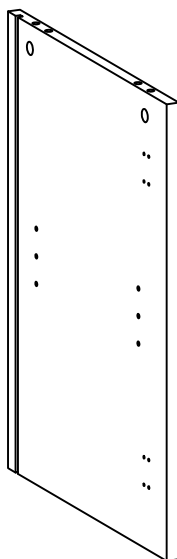
① x1



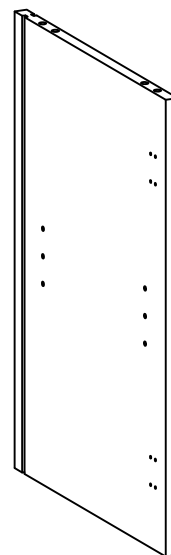
② x1



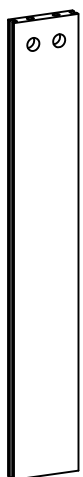
③ x1



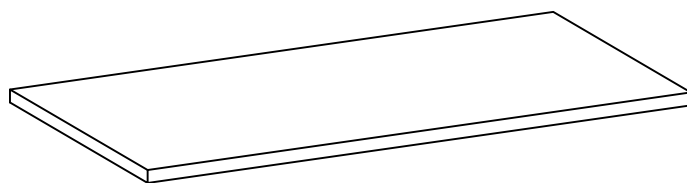
④ x1



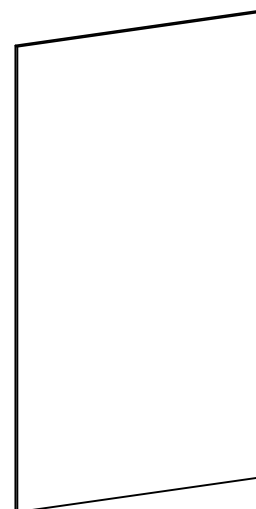
⑤ x1



⑥ x2

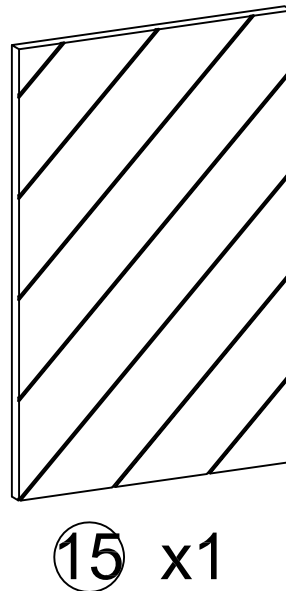
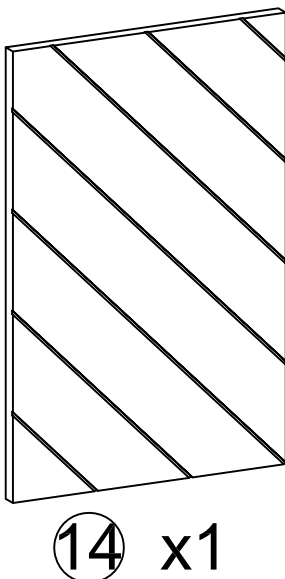
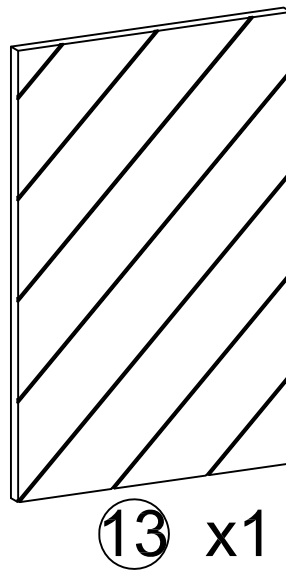
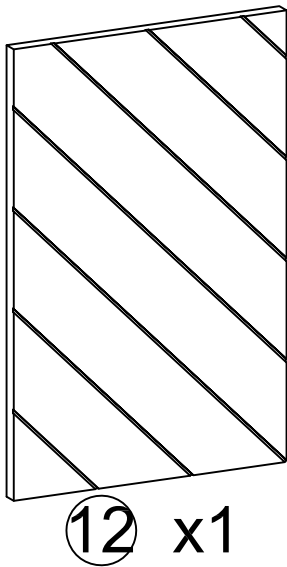
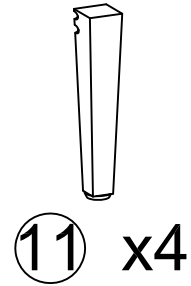
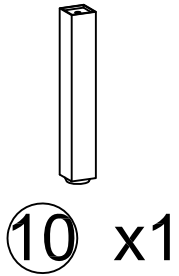
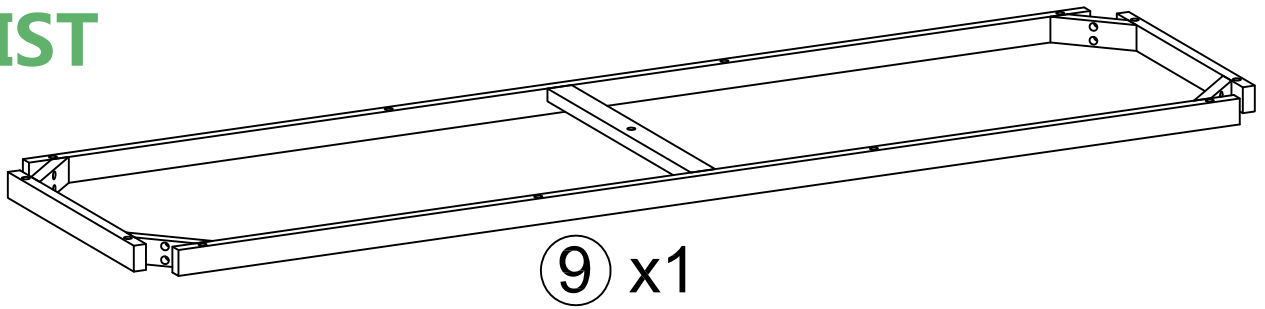


⑦ x2



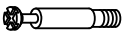


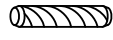

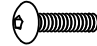

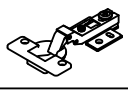
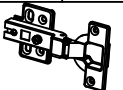




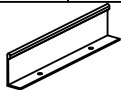





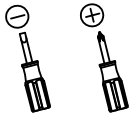
⑧ x4

PARTS LIST

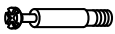


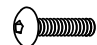





HARDWARE

LIST

A	x10	B	x10	C	x10	D	x12	E	x76	F	x20	G	x1	H	x4
															
M6*35mm		φ15mm		M7*50mm		φ8*30mm		M3.5*14mm		M6*50mm		M6*30mm			
I	x4	J	x6	K	x1	L	x16	M	x8	N	x4	O	x4	P	x4
															
		φ20mm		M4										φ4*35mm	
Q	x4	R	x2	S	x4	T	x1								
															

SPARE

A	x1	C	x1	E	x7	F	x2	G	x1	O	x1	P	x1
													
M6*35mm		M7*50mm		Ø3.5*14mm		M6*50mm		M6*30mm				φ4*35mm	

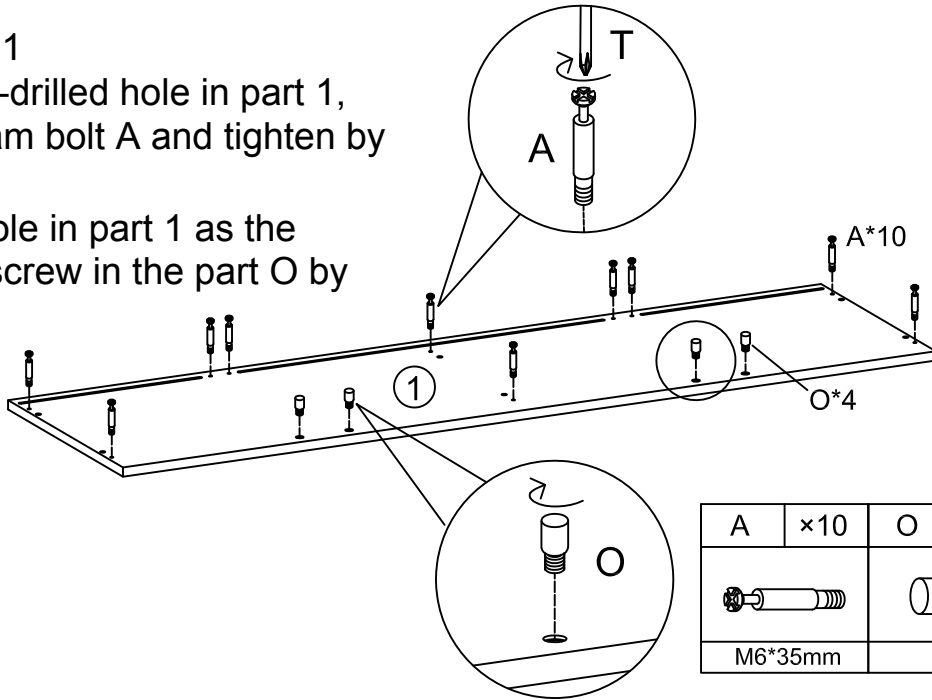
Be sure to check all packing material carefully for small parts, which may have come loose inside the carton during shipment.

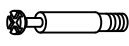
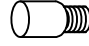

ASSEMBLY INSTRUCTIONS

STEP 1

Preparing part 1

- 1) Align the pre-drilled hole in part 1, screw in the cam bolt A and tighten by screwdriver T.
- 2) Align the hole in part 1 as the picture show, screw in the part O by hand.

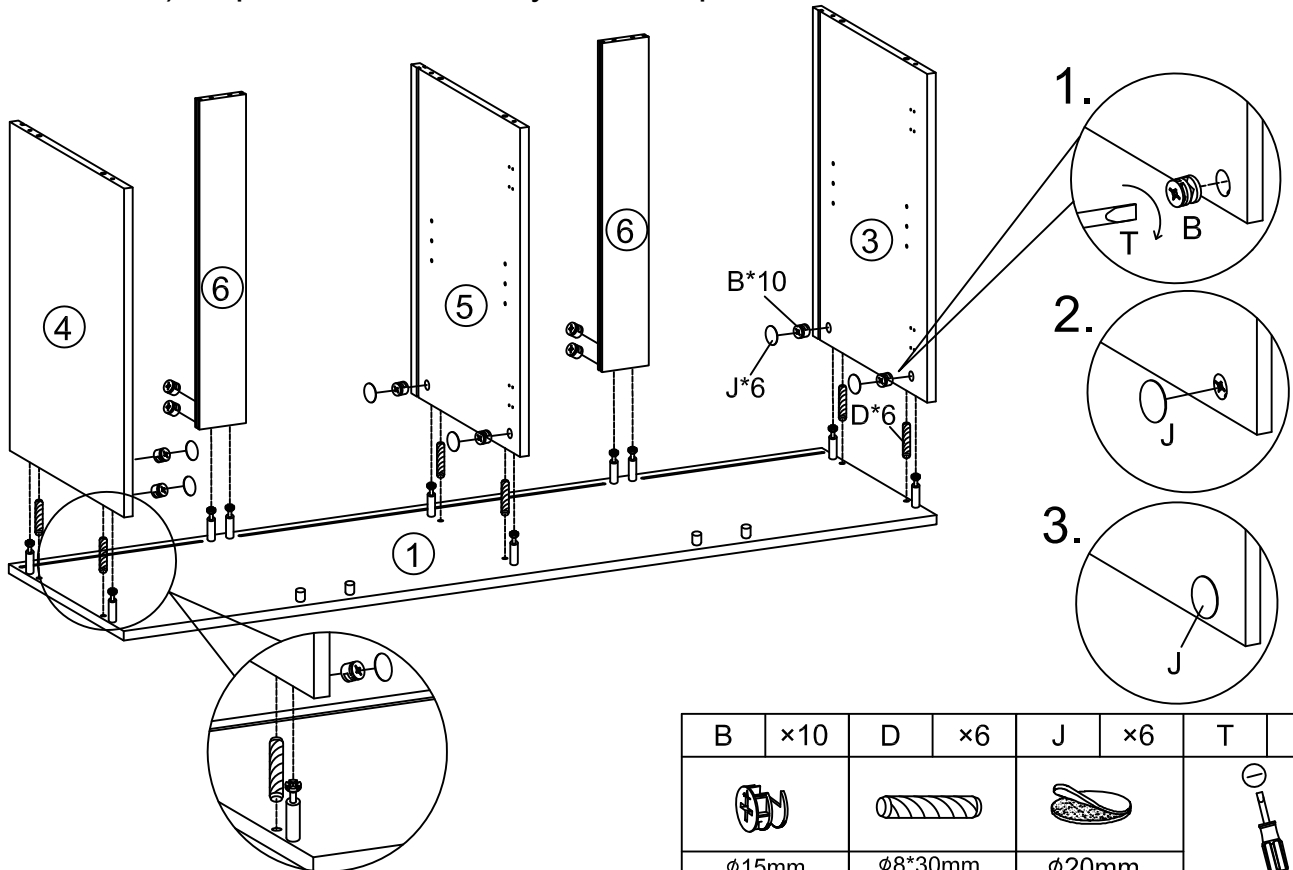






A	x10	O	x4	T	x1
					
M6*35mm					

STEP 2

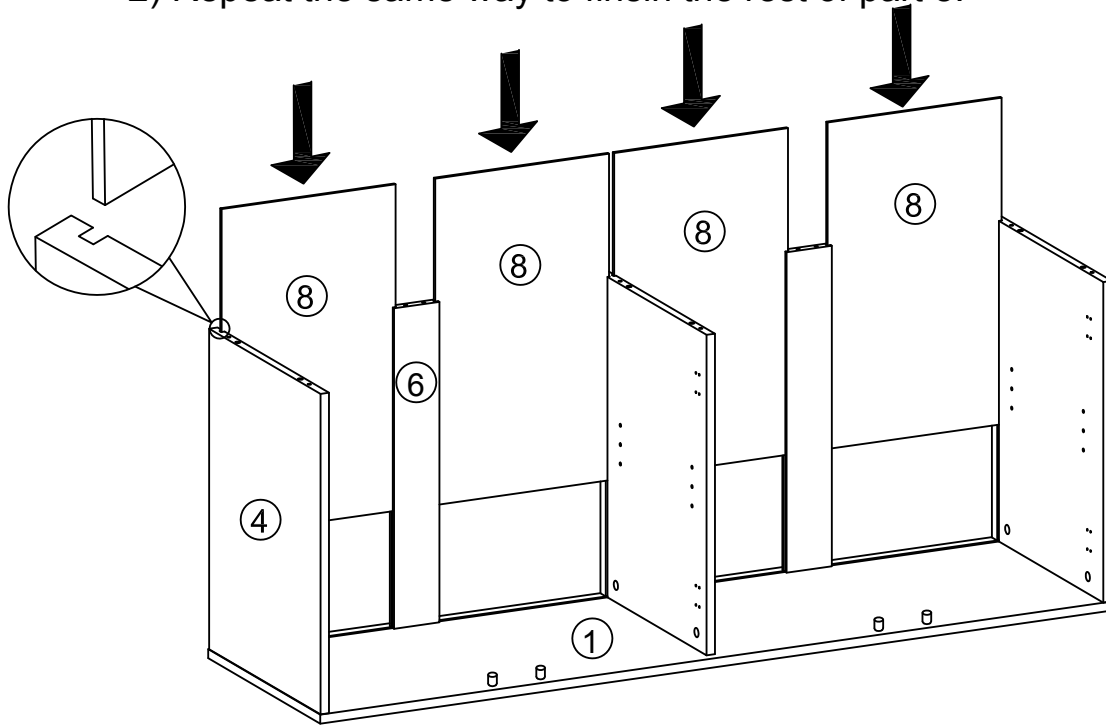
Connect part 3,4,5,6 to the part 1

- 1) Align the hole in the part 1, insert the part D into the hole by hand;
- 2) Align the hole in part 3, insert the part D and cam bolt A at the same time, then put nut B and tighten by screwdriver T
- 3) Cover the nut B by part J for good looking.
- 4) Repeat the same way to finish part 4, 5, 6.

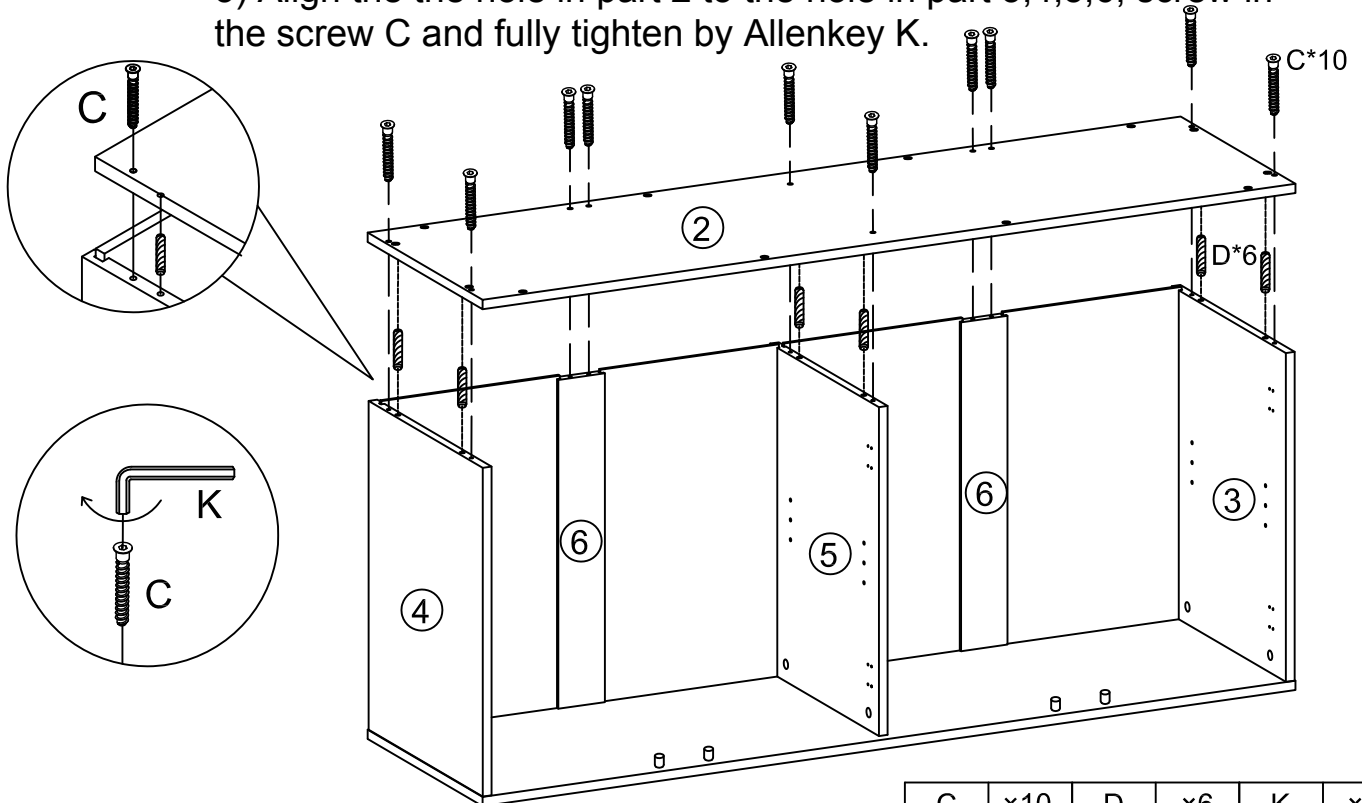



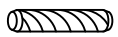

B	x10	D	x6	J	x6	T	x1
							
φ15mm		φ8*30mm		φ20mm			

STEP 3 Install part 8
 1) Align the groove in part 4, 6 and 1, insert part 8 into the groove and slide down to the end. be sure the part 8 in the groove of part 1.
 2) Repeat the same way to finish the rest of part 8.



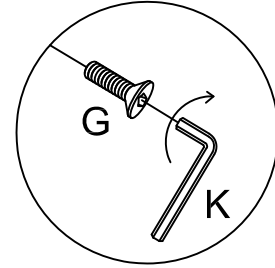
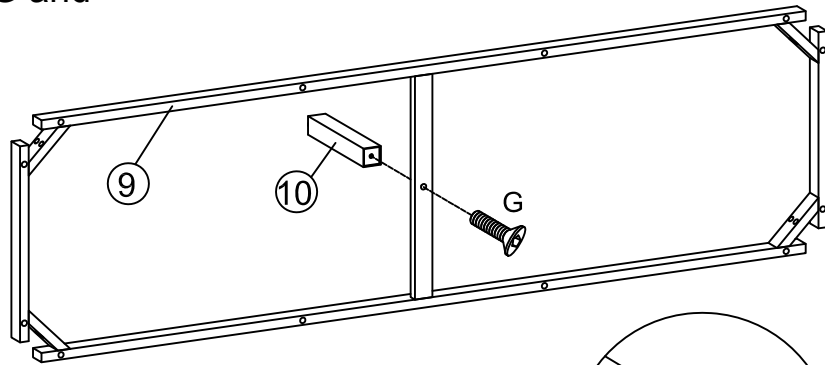
STEP 4 Install part 2
 1) Align the hole in part 3,4,5, insert the part D by hand;
 2) Align the hole in part 2, insert the part D into the part 2 at the same time, then
 3) Align the the hole in part 2 to the hole in part 3,4,5,6, screw in the screw C and fully tighten by Allenkey K.





C	×10	D	×6	K	×1
					
M7*50mm		∅8*30mm		M4	

STEP 5

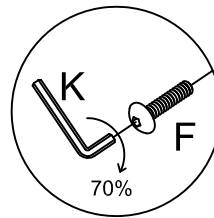
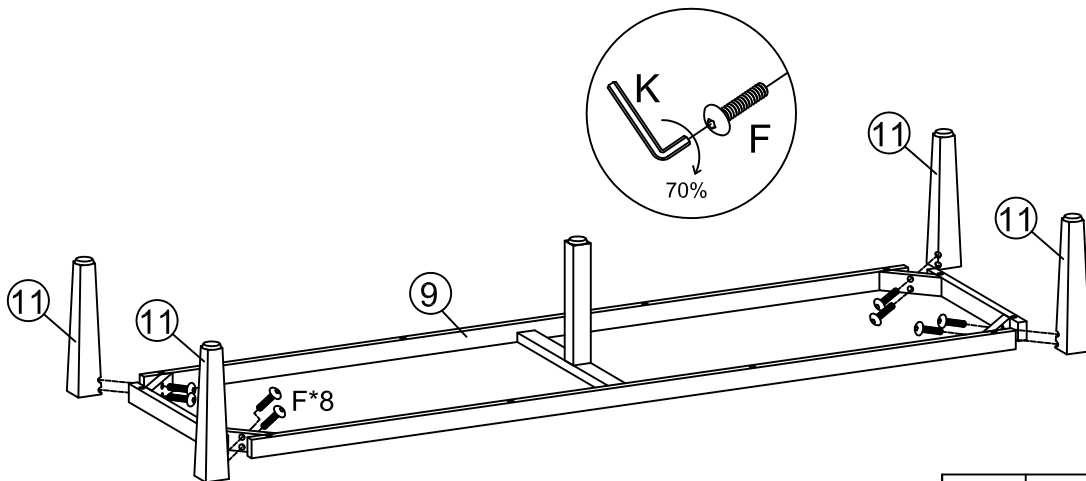
Connect the part 9 to part 10
align the hole in part 10 to the hole in
part 9, screw in the screw G and
tighten by Allenkey K.





G	×1	K	×1
			
M6*30mm		M4	

STEP 6

Assemble legs(part 11)
Align the hole in part 9 to the hole
in the part 11, screw in the screw
F and tighten by Allenkey K.
Do not fully tighten at this step!

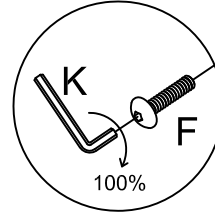
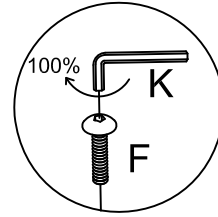
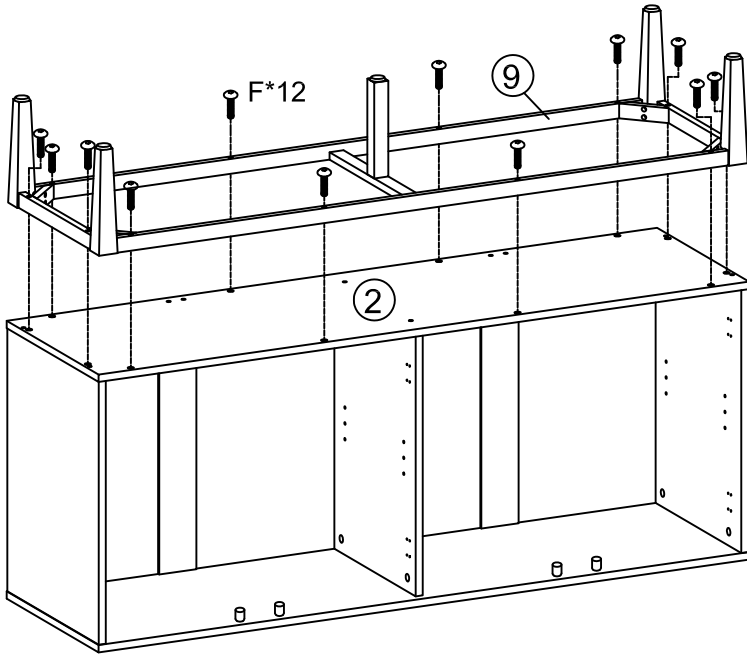


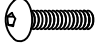
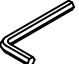
F	×8	K	×1
			
M6*50mm		M4	

STEP 7

install the leg frame(finished part in step 6)

align the hole in part 9 to the hole in part 2, screw in the ALL screw F(including not fully tighten in step 6) and fully tighten by Allenkey K in sequence.

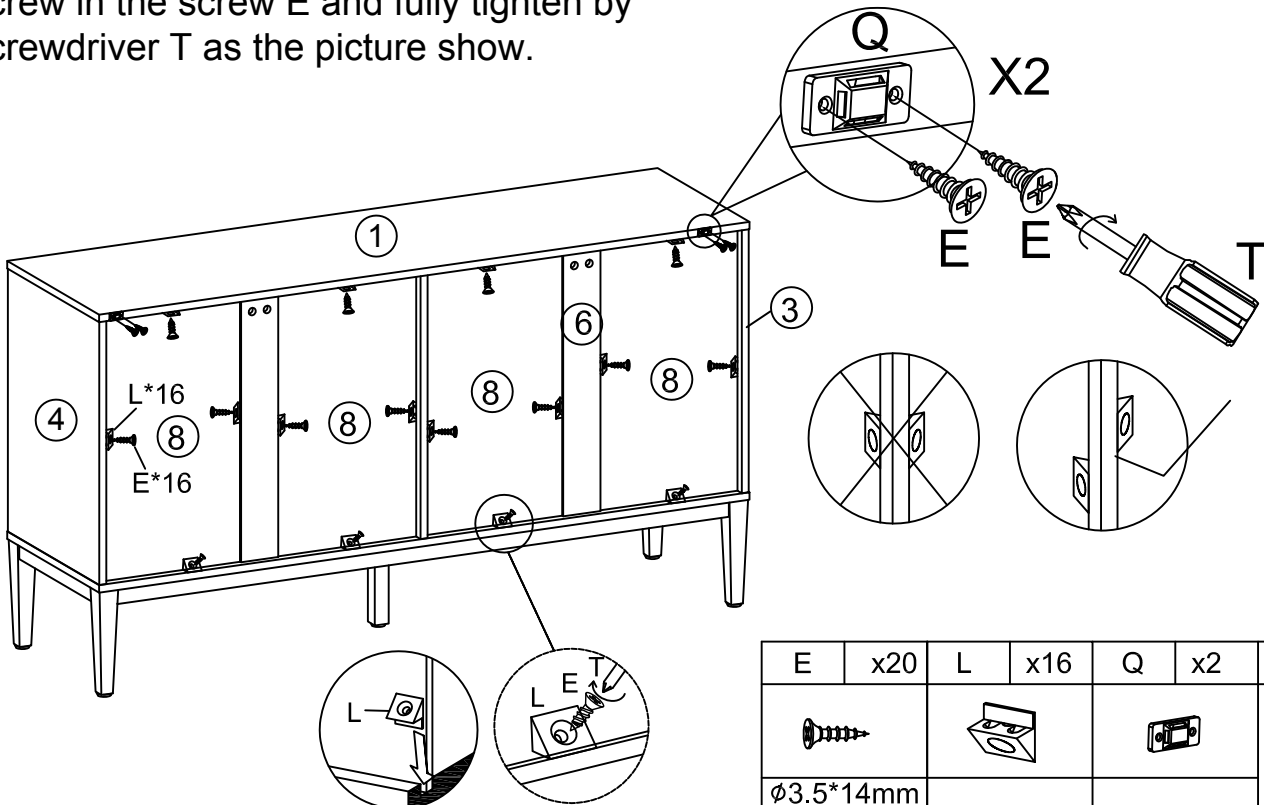






F	x12	K	x1
			
M6*50mm		M4	

STEP 8

Assemble part Q and part L

1) Align the hole in part Q to the part 1, screw in the screw E and fully tighten by screwdriver T;
 2) Insert the part L into the space between the part 1,2 and 3,4,6,8, align the hole in part L, screw in the screw E and fully tighten by screwdriver T as the picture show.



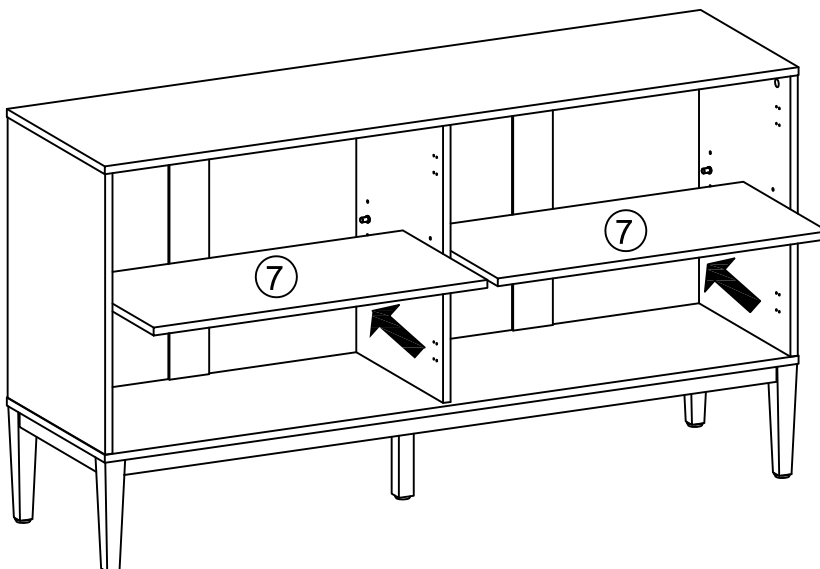
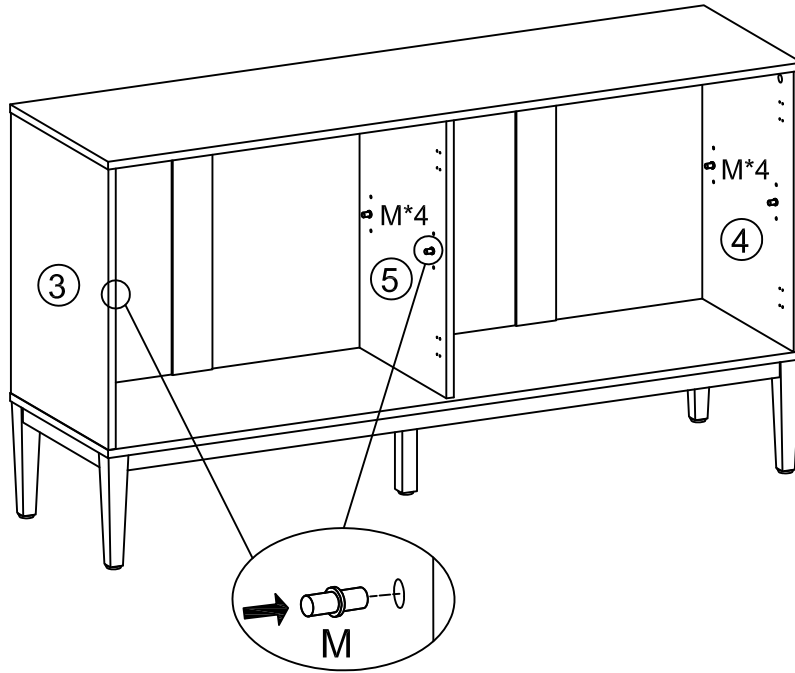
E	x20	L	x16	Q	x2	T	x1
							
Ø3.5*14mm							


STEP 9

Install part M

1) Align the pre-drilled hole in part 3,4,5, insert the part M into the hole(you have 3 options according to your expectation of height), but you must be sure they are in the same level both left and right after you finished)

2) Separately put the part 7 on the part M.

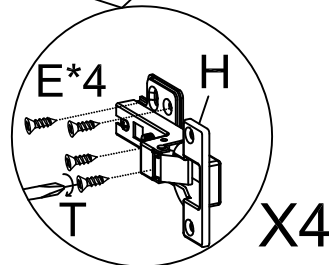
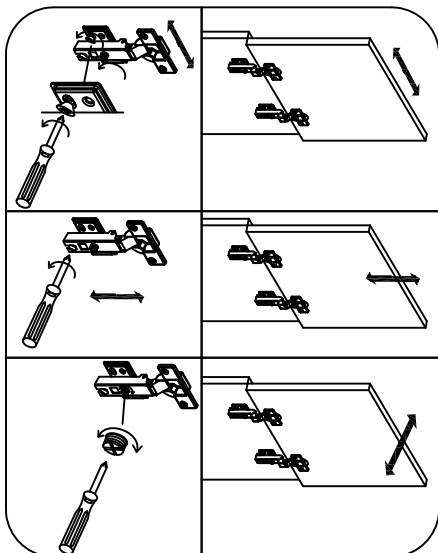
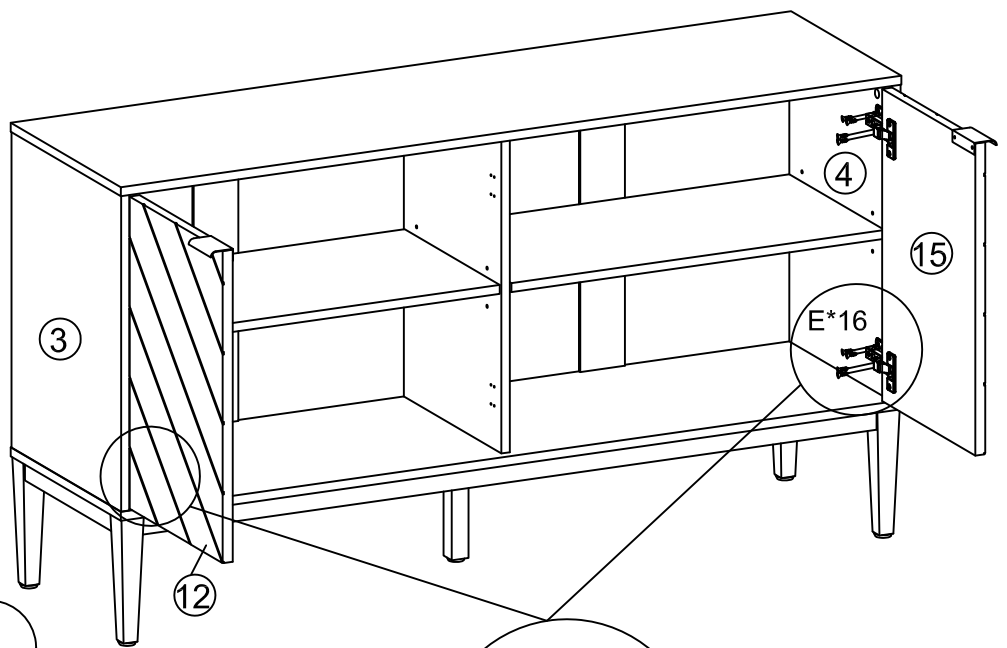
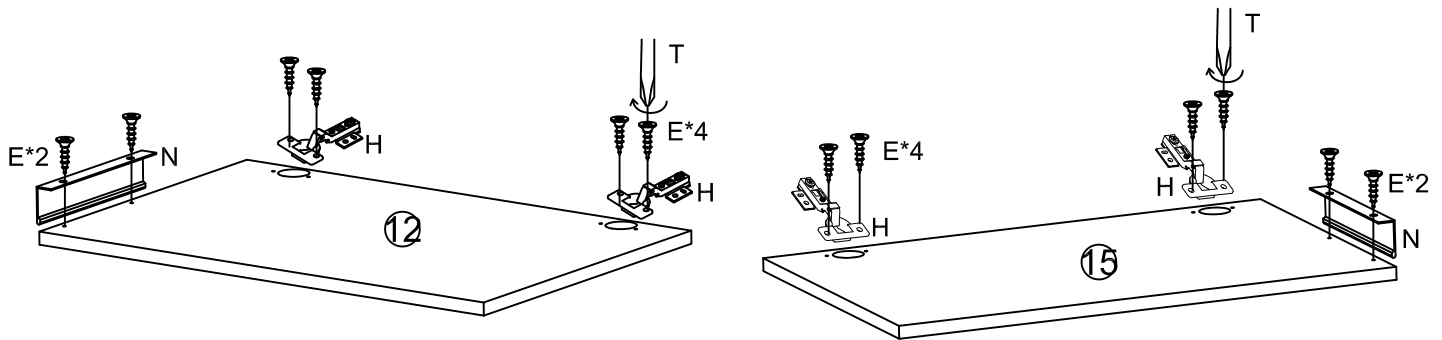






M	x8
	

STEP 10

Prepare the part H and part N

- 1) Align the hole in part H to the pre-drilled hole in part 12, screw in the screw E and fully tighten by screwdriver T;
- 2) Align the hole in part N to the pre-drilled hole in part 12, screw in the screw E and fully tighten by screwdriver T;
- 3) Repeat the same way to finish part 15 with part H and N.
- 4) Align the hole in part H to the predrilled hole in part 3 and 4, screw in the screw E and fully tighten by screwdriver T
- 5) you can adjust the door to fit the cabinet as the picture show.

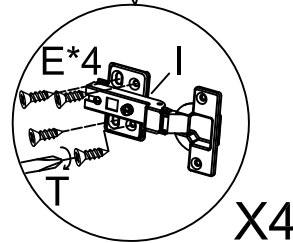
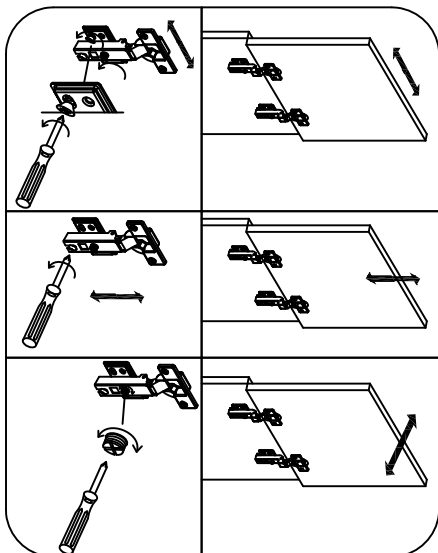
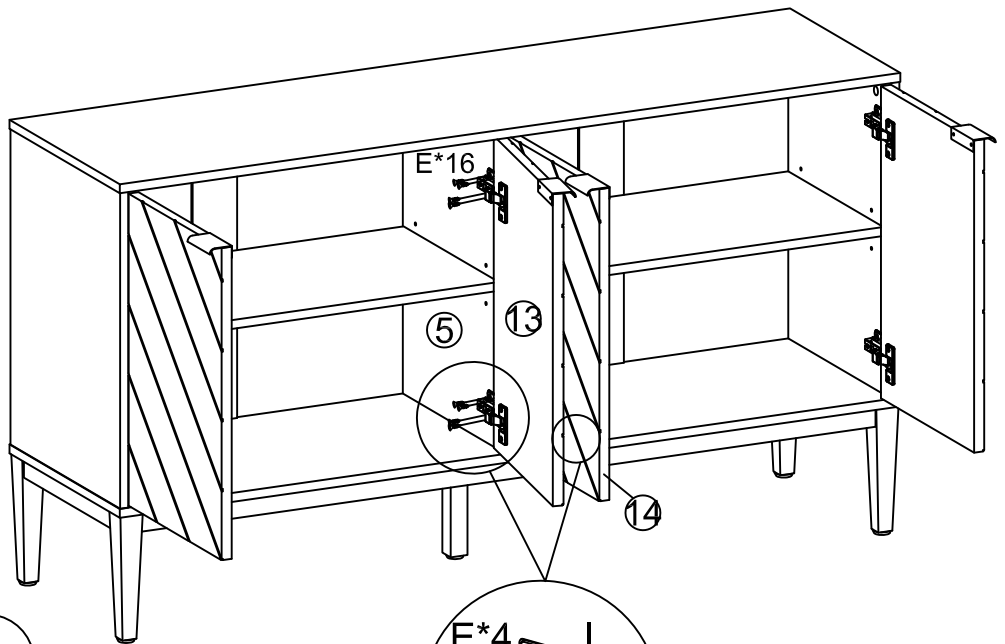
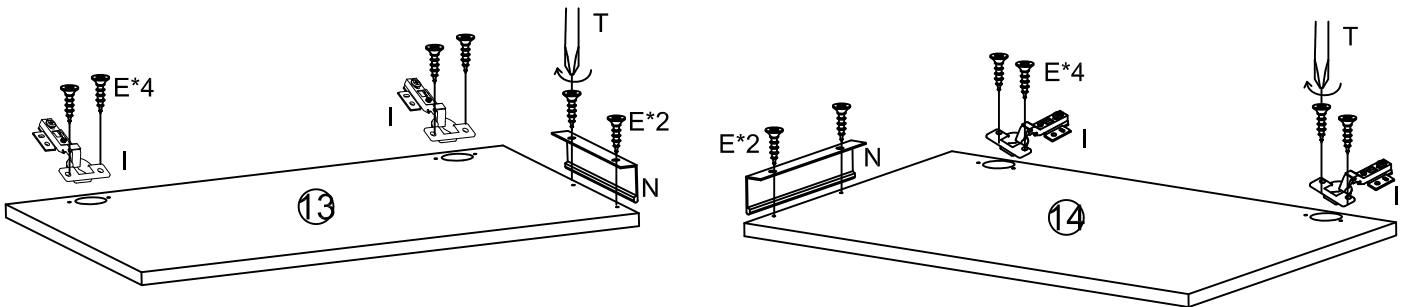



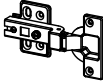


E	x28	H	x4	N	x2	T	x1
							
M3.5*14mm							

STEP 11

Prepare the doors(part 13 and 14)

- 1) Align the hole in part I to the pre-drilled hole in part 13, screw in the screw E and fully tighten by screwdriver T;
- 2) Align the hole in part N to the pre-drilled hole in part 13, screw in the screw E and fully tighten by screwdriver T;
- 3) Repeat the same way to finish part 14 with part I and N.
- 4) Align the hole in part I to the predrilled hole in part 5, screw in the screw E and fully tighten by screwdriver T
- 5) You can adjust the door to fit the cabinet as the picture show.



E	x28	I	x4	N	x2	T	x1
							
M3.5*14mm							

STEP 12

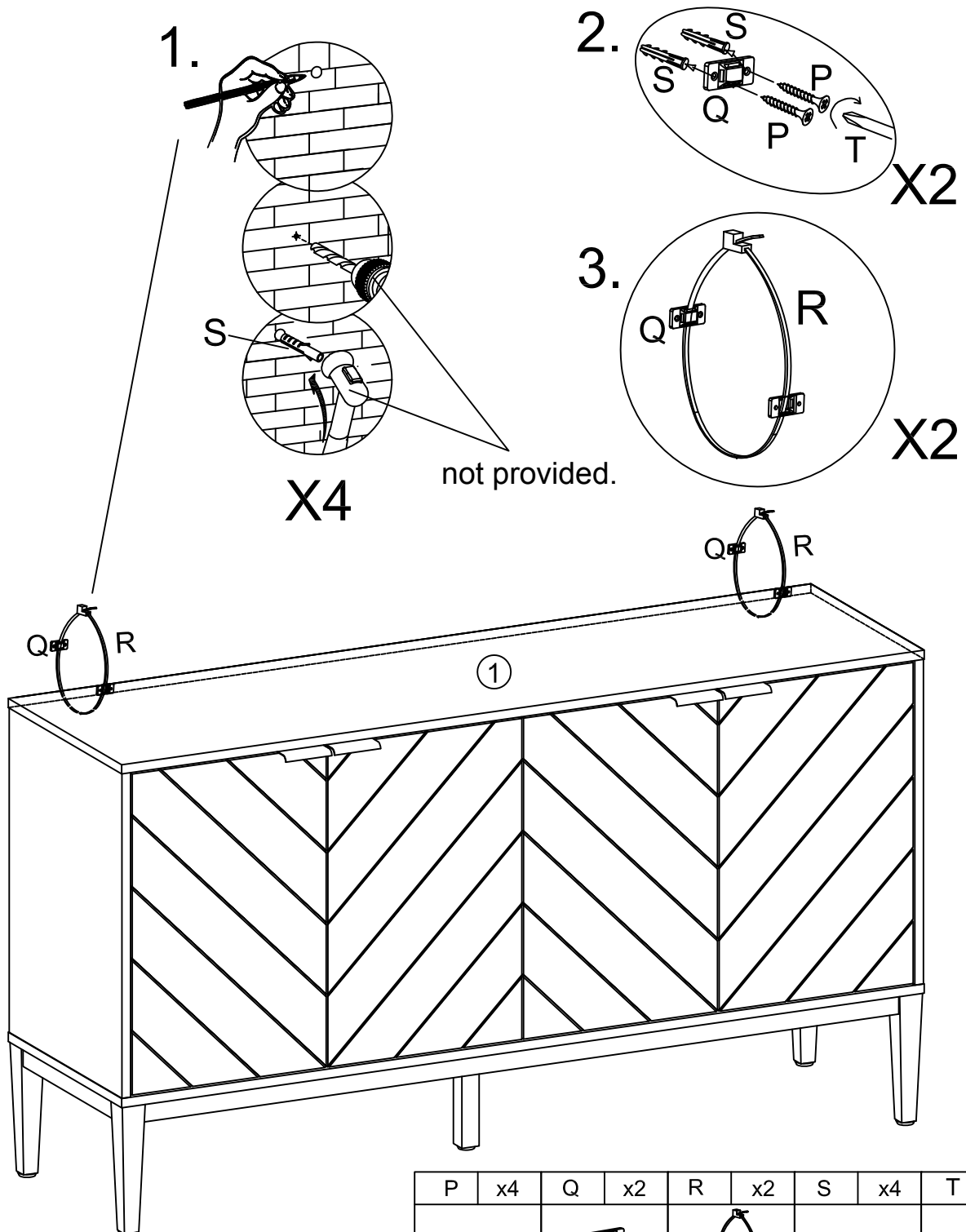
Install the anti-collapse device.

1. Mark the position on the wall, this should be same as the position of Q where are on the back of panel 1; Drilled and insert the expandable screw S by hammer;

2. Assemble the part Q on the wall screw in the screw P and tighten by screwdriver T.

3. let the plastic belt R go through the both Q and pull to tighten.

Finish the Anticollapse device.



Assembly Completed

P	x4	Q	x2	R	x2	S	x4	T	x1
Ø4*35mm									

WARRANTY

We strive to offer high-quality products, and we also try our best to satisfy each and every customer that orders from us with product or service as needed. We provide 30 days warranty starting from the time you receive the item. Each customer must provide a record of their order such as the order number, or item receipt for any items that are out of the warranty period you may also still receive replacement parts by purchasing them with our company if they are available.

**Are you having difficulty
with assembly? Missing parts?**

Please send email with your order No

**For return, Please check the return policy with
the retailer or MarketPlace you bought from.**

**Appreciated your purchasing from us.
Pop up your life by our furniture piece!**