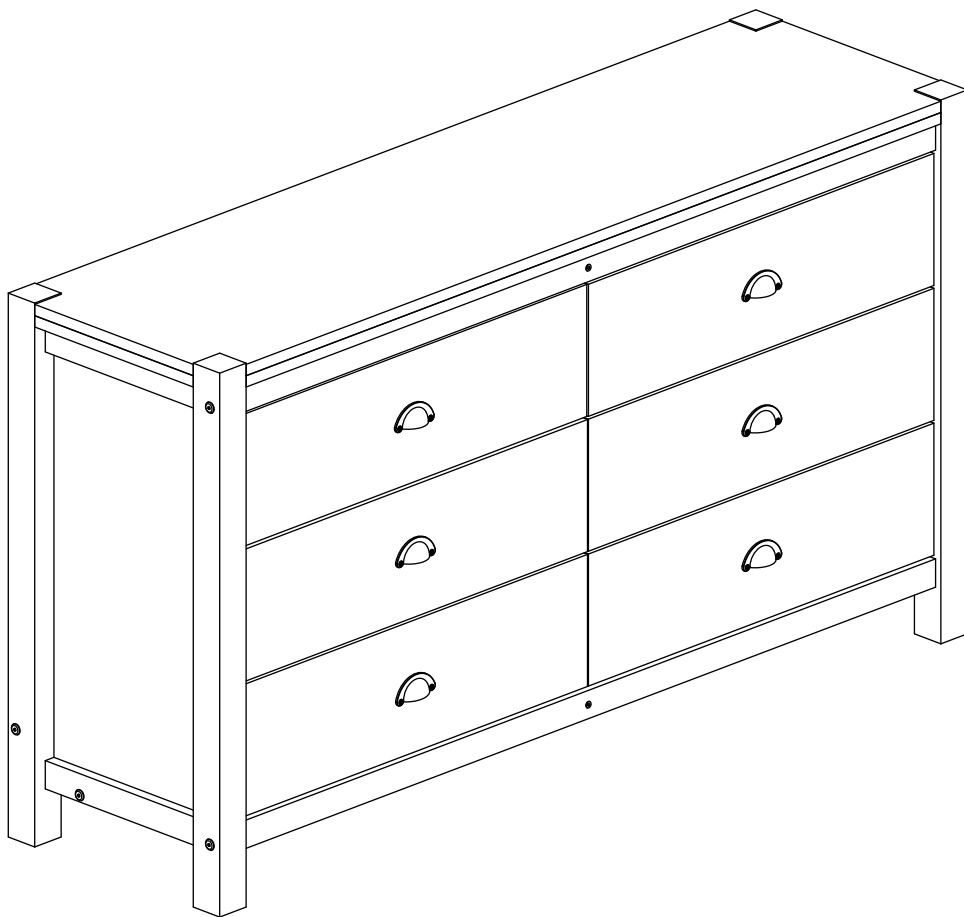


# RUSTIC 6 DRAWER CHEST

## ASSEMBLY INSTRUCTIONS

SKU 6521KK Rustic Dark

SKU 6527KK Rustic Light



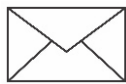
# IMPORTANT PLEASE READ BEFORE YOU CONTINUE FURTHER FOR DOMESTIC USE ONLY CARE AND MAINTENANCE

- After unpacking this product please keep the original packaging in case it needs to be returned for any reason.
- Please ensure all fittings and parts are present before commencing with assembly.
- We recommend that you lay a blanket or sheet on the floor to avoid damage to both your floor and the product.
- We strongly recommend that you keep children away from your work area.
- Assemble this product as close to its final position as possible
- Never drag or push products as this could cause damage to the joints making it inferior.
- Do not drag or push items across your furniture as this may cause the surface to scratch.
- Do not place this product next to radiator or in direct sunlight.
- Wood is a natural product and may expand if subjected to damp and may shrink or crack if subjected to heat. Therefore it is recommended that room temperature is maintained, with no sudden temperature fluctuations.
- Make sure any spillage is Wiped off immediately.
- Do not place hot or chilled items directly on to the surface, use a place mat or marking will occur.
- For general cleaning use soft cotton or micro fibre cloth and do not use detergents of any kind.
- Do not place on a wet or damp floor as staining may occur to your floor.
- From time to time it may be necessary to tighten fittings, regular inspections should be carried out.

---

## how to contact us:

More details how to assemble your product at: [seconique-us.com](http://seconique-us.com) then follows:



[info@seconiqueus.com](mailto:info@seconiqueus.com)



[seconique-us.com](http://seconique-us.com)

---

[seconique-us.com](http://seconique-us.com)



[seconique-us.com](http://seconique-us.com)

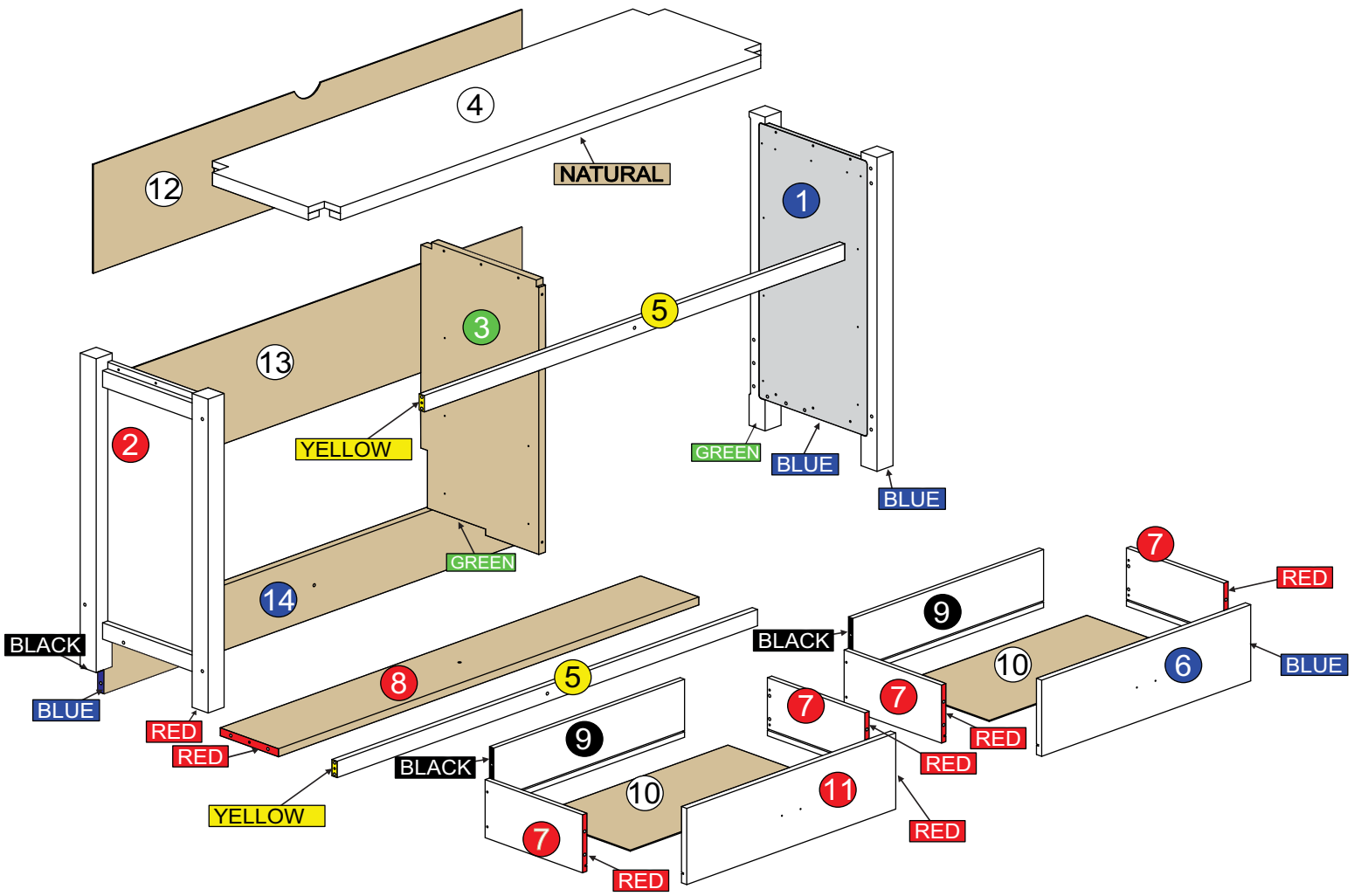
 YouTube



seconique US



@seconiqueus



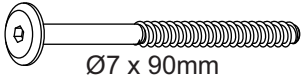


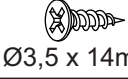
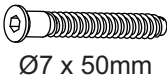



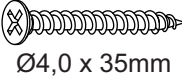
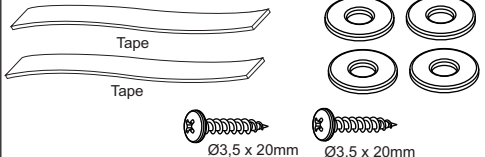

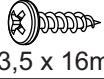
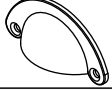
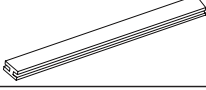

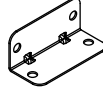
**Please Note:**

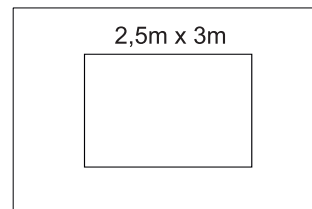
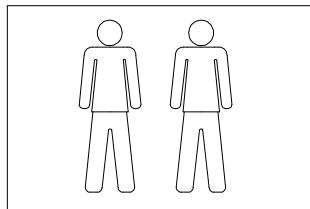
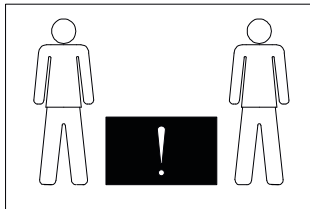
The parts below have been stamped with the part number/color to help identify them during assembly

**PARTS LIST**

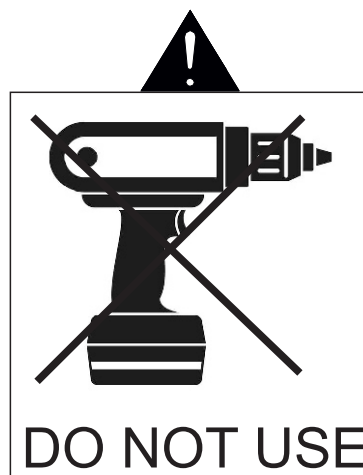
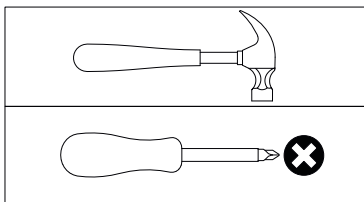
Part Number/ Color	Part Description	Quantity	Carton
1	Right side panel (BLUE) (GREEN)	1	2/2
2	Left side panel (RED) (BLACK)	1	2/2
3	Divider panel	1	2/2
4	Top panel (NATURAL)	1	1/2
5	Connecting rail (YELLOW)	2	1/2
6	Right drawer front (BLUE) (NUMBER)	3	1/2 - 2/2
7	Side panel (RED)	12	2/2
8	Lower rail (RED)	1	1/2
9	Drawer back panel (BLACK) (NUMBER)	6	1/2 - 2/2
10	Drawer bottom panel (NATURAL)	6	1/2
11	Left drawer front (RED) (NUMBER)	3	1/2 - 2/2
12	Upper back panel	1	1/2
13	Down back panel	1	1/2
14	Lower back rail (BLUE)	1	1/2

# FITTINGS

A	 Ø7 x 90mm	06	J		06
B	 Ø7 x 70mm	02	K	 Ø3,5 x 14mm	108
C	 Ø7 x 50mm	04	L		01
D	 Ø8 x 30mm	64	M	 Glue	01
E	 Ø4,0 x 35mm	33	N	Anti - Rollover Kit  Tape Tape  Ø3,5 x 20mm    Ø3,5 x 20mm	01
F	 Ø3,5 x 16mm	12			
G	 Cup handle	06	O		01
H	 Nail 10x10	28			
I	 Metal bracket	12			



## TOOLS REQUIRED

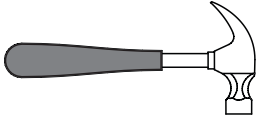


**\* Use of power tools to assemble this product will invalidate any claim and damage this product making it unsafe !!!**  
**\* Please assemble on a clean soft surface to avoid damage.**

**\* Please check contents and read the instructions before commencing assembly.**  
**\* Assemble this product following the enclosed instructions carefully.**  
**\* Please take care to avoid damaging panels during assembly.**

# STEP 1

## TOOLS REQUIRED



## PARTS REQUIRED

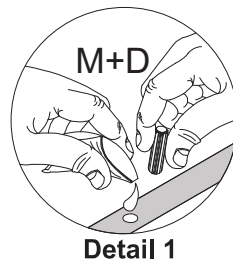
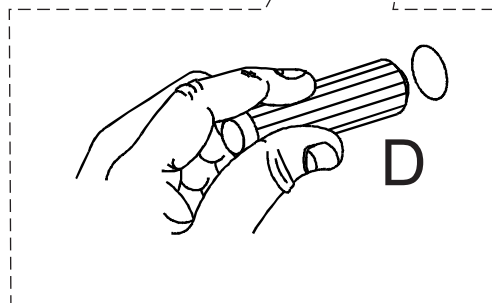
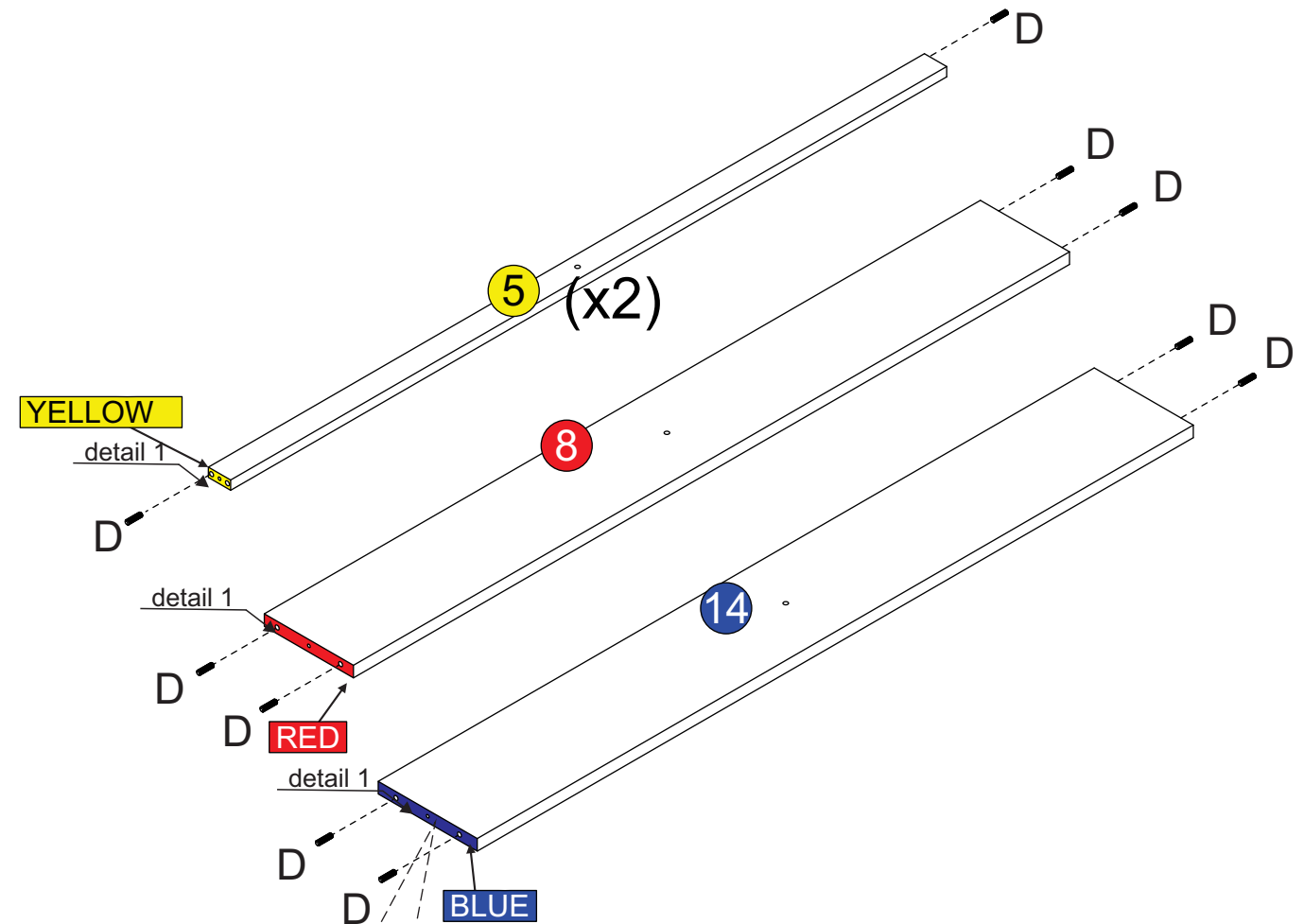
5 - Connecting rail (YELLOW) x2

8- Lower back rail (RED) x1

14 - Lower rail (BLUE) x1

## HARDWARE REQUIRED

D	 Ø8 x 30mm	12
M	 Glue	01





Please assemble on a clean soft surface to avoid damage.

# STEP 2

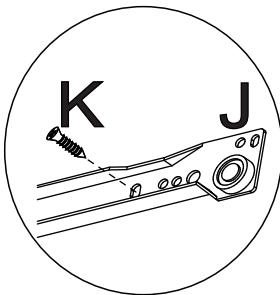
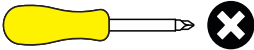
## PARTS REQUIRED

1 - Right side panel (BLUE / GREEN) x1

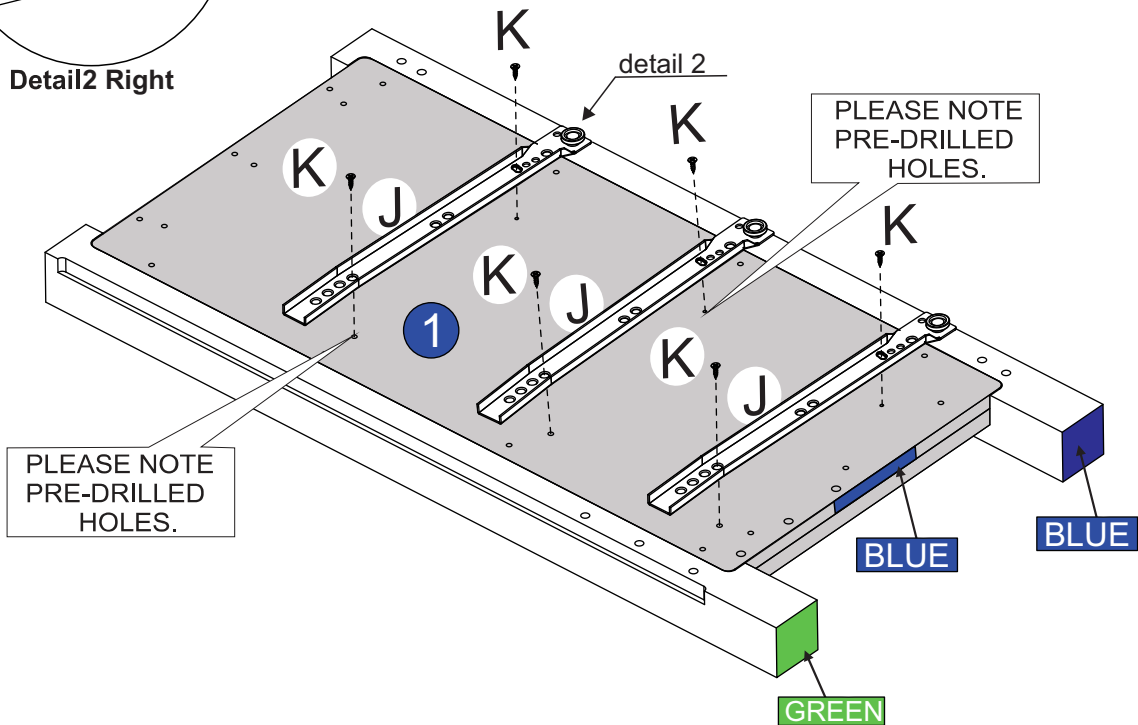
## HARDWARE REQUIRED

J		03
K	 Ø3,5 x 14mm	06

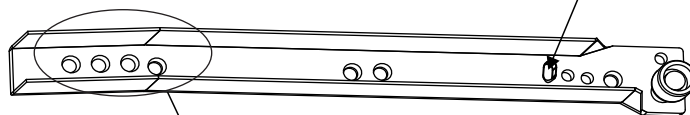
## TOOLS REQUIRED



Detail2 Right



FOURTH HOLE (LINE UP WITH PRE-DRILLED HOLE)



PRE MARKING HOLE




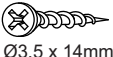
Please assemble on a clean soft surface to avoid damage.

# STEP3

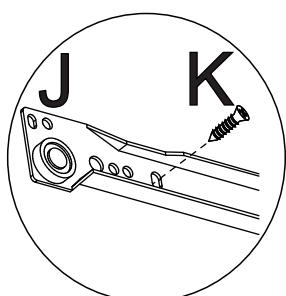
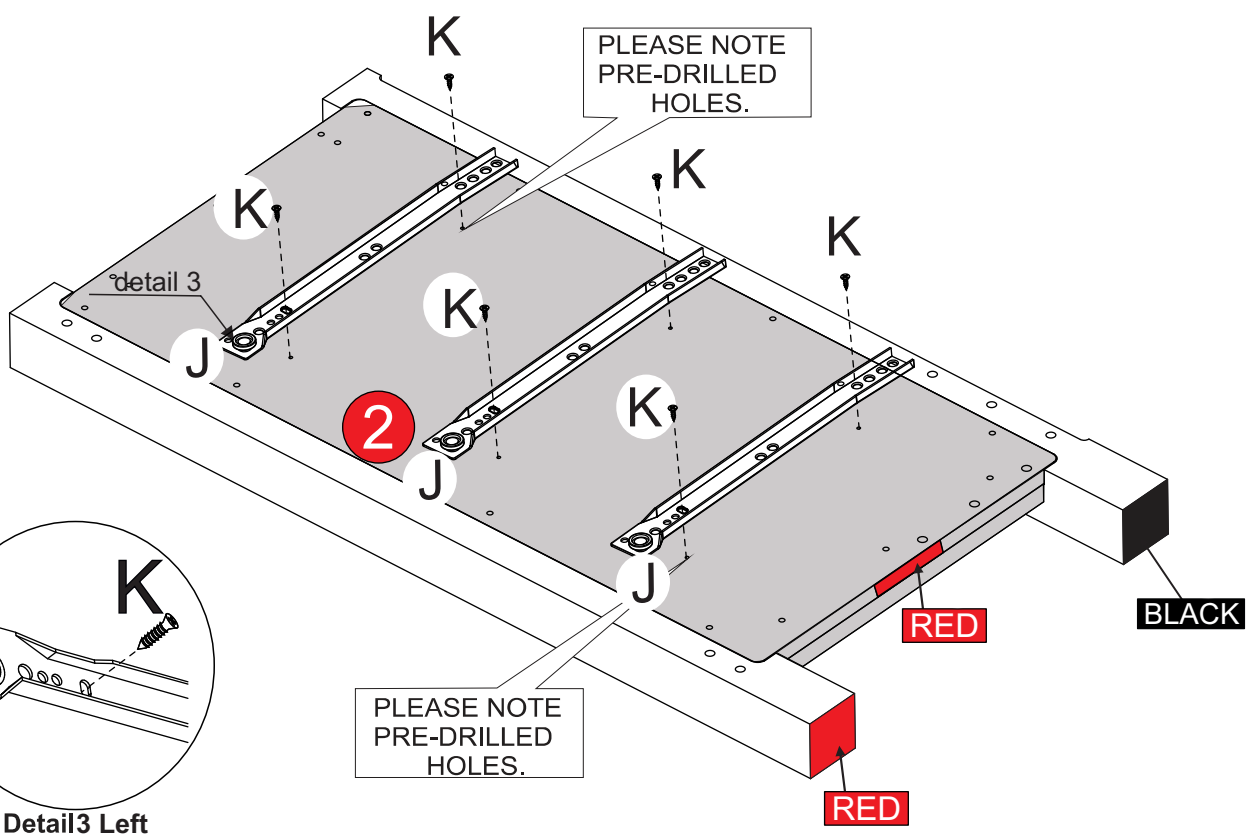
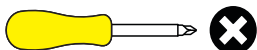
## PARTS REQUIRED

2 - Left side panel (RED / BLACK) x1

## HARDWARE REQUIRED

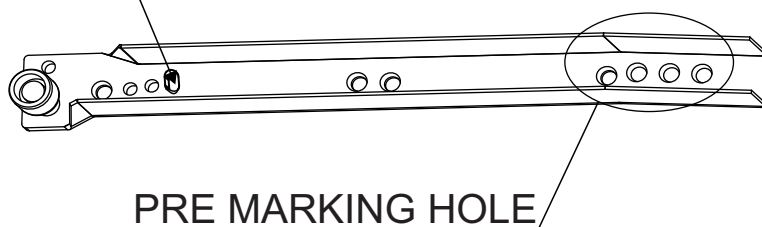
J		03
K	 Ø3,5 x 14mm	06

## TOOLS REQUIRED



Detail3 Left

## FOURTH HOLE (LINE UP WITH PRE-DRILLED HOLE)





Please assemble on a clean soft surface to avoid damage.

# STEP 4

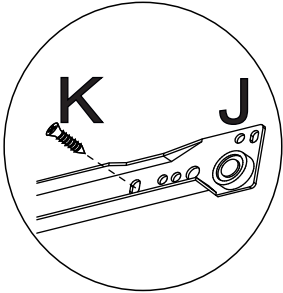
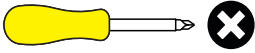
## PARTS REQUIRED

1 - Divider panel (GREEN) x1

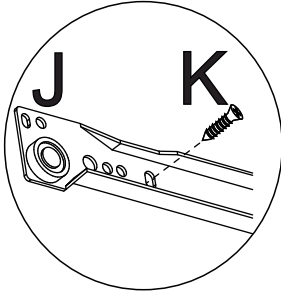
## HARDWARE REQUIRED

J		06
K	 Ø3,5 x 14mm	12

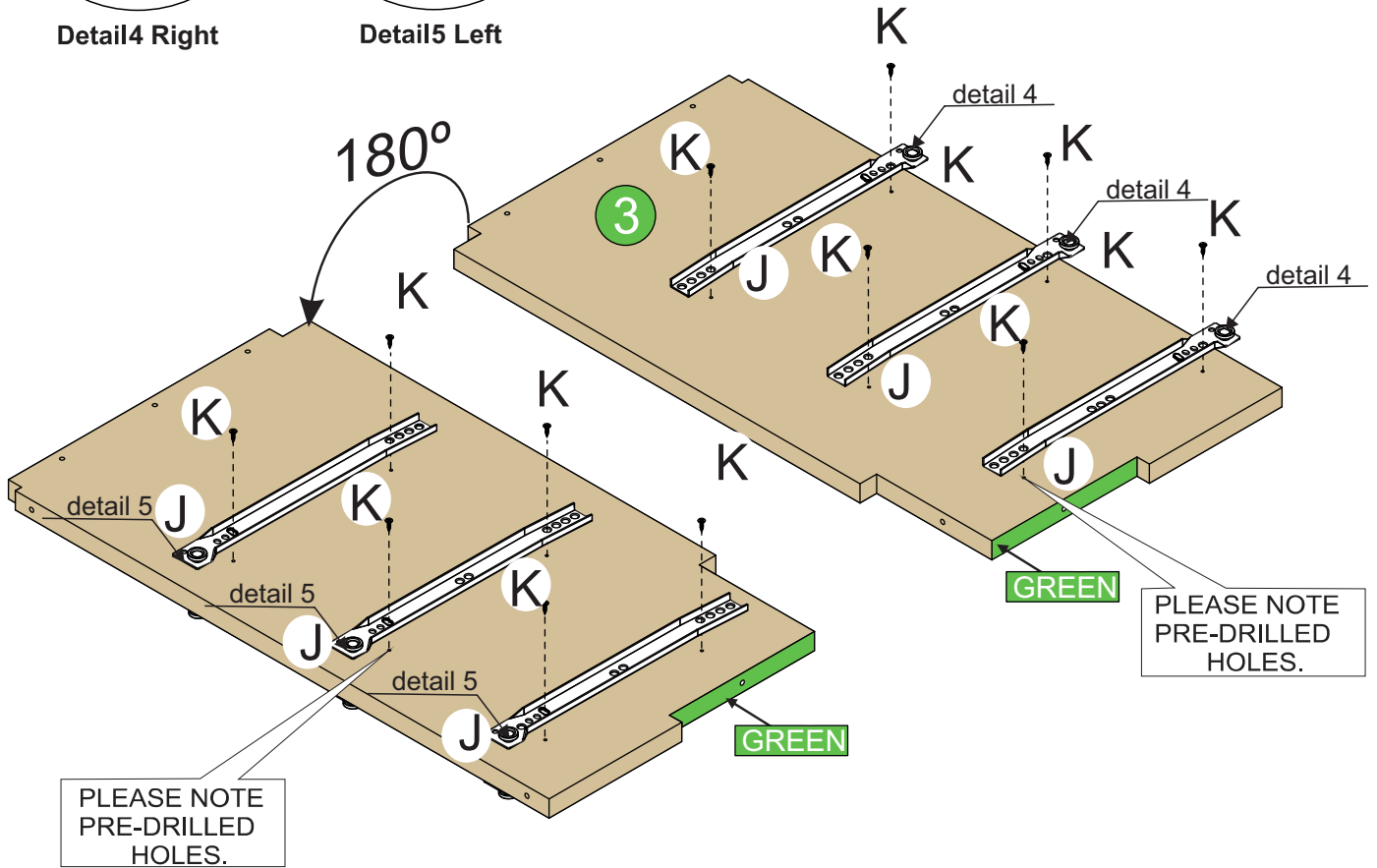
## TOOLS REQUIRED



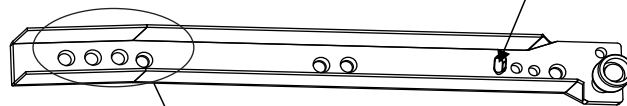
Detail 4 Right



Detail 5 Left

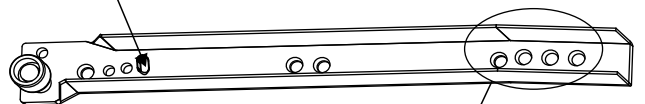


FOURTH HOLE (LINE UP WITH PRE-DRILLED HOLE)



PRE MARKING HOLE **Detail 4 Right**

FOURTH HOLE (LINE UP WITH PRE-DRILLED HOLE)



**Detail 5 Left**

PRE MARKING HOLE



Please assemble on a clean soft surface to avoid damage.

# STEP5

## TOOLS REQUIRED

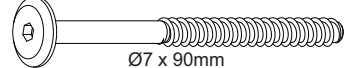

### PARTS REQUIRED

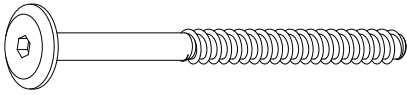
1 - Right side panel (**BLUE / GREEN**) x1

8 - Lower rail (**RED**) x1

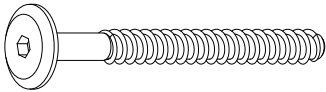
14 - Lower back rail (**BLUE**) x1

### HARDWARE REQUIRED

A		01
B		01



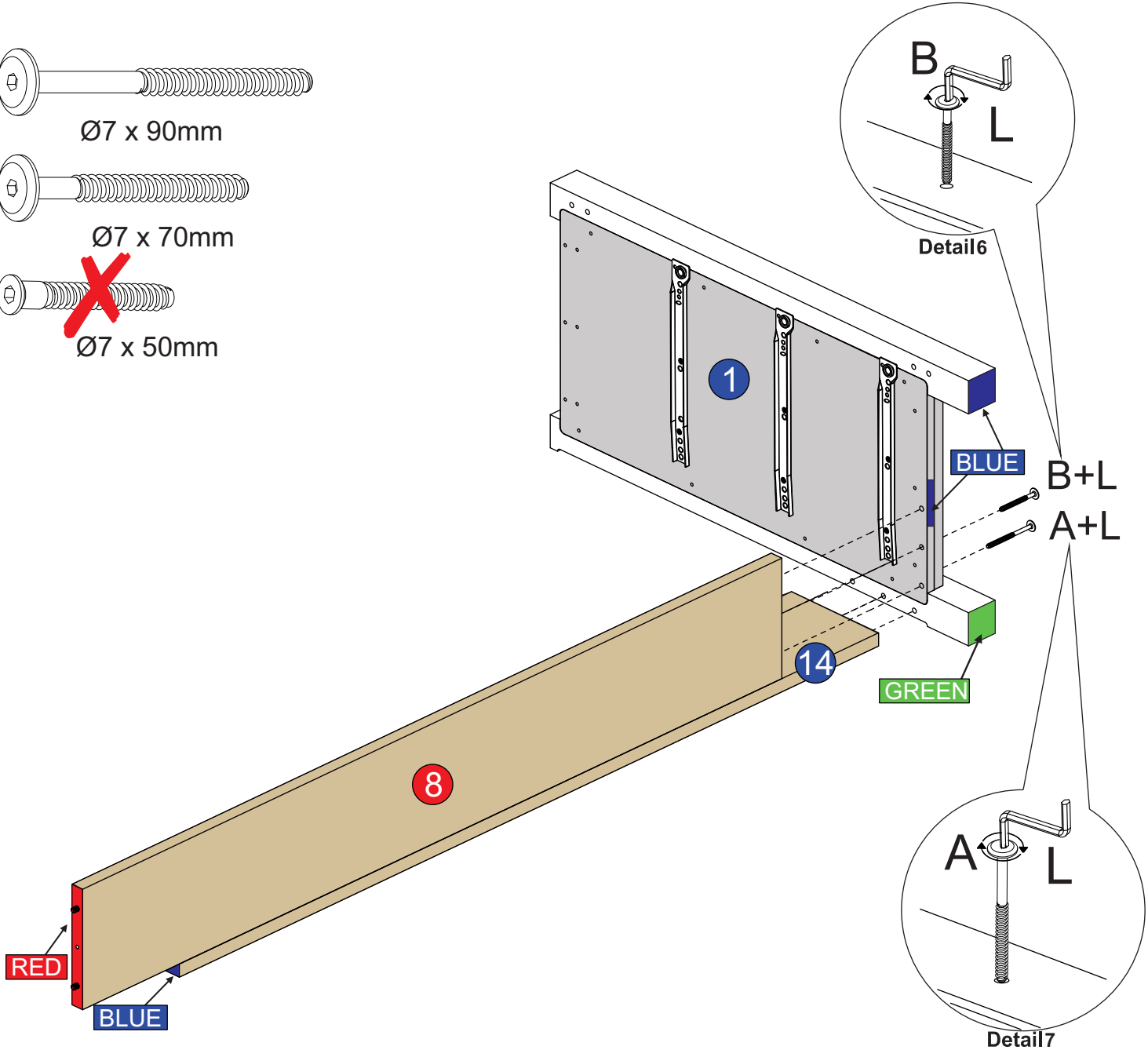
Ø7 x 90mm



Ø7 x 70mm



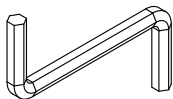
Ø7 x 50mm



Please assemble on a clean soft surface to avoid damage.

# STEP 6

## TOOLS REQUIRED



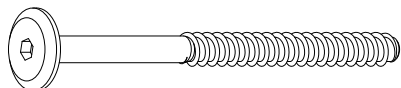
## PARTS REQUIRED

3 - Divider panel (GREEN) x1

5 - Connecting rail (YELLOW) x2

## HARDWARE REQUIRED

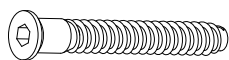
A		02
C		03



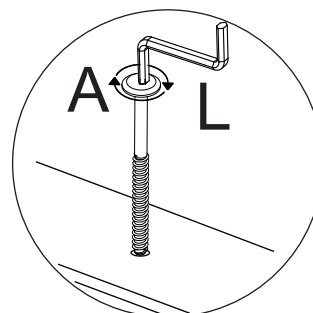
Ø7 x 90mm



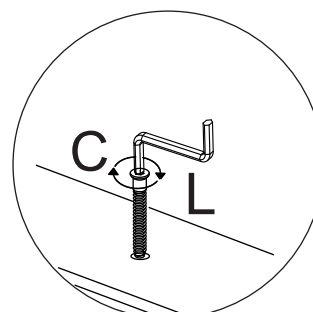
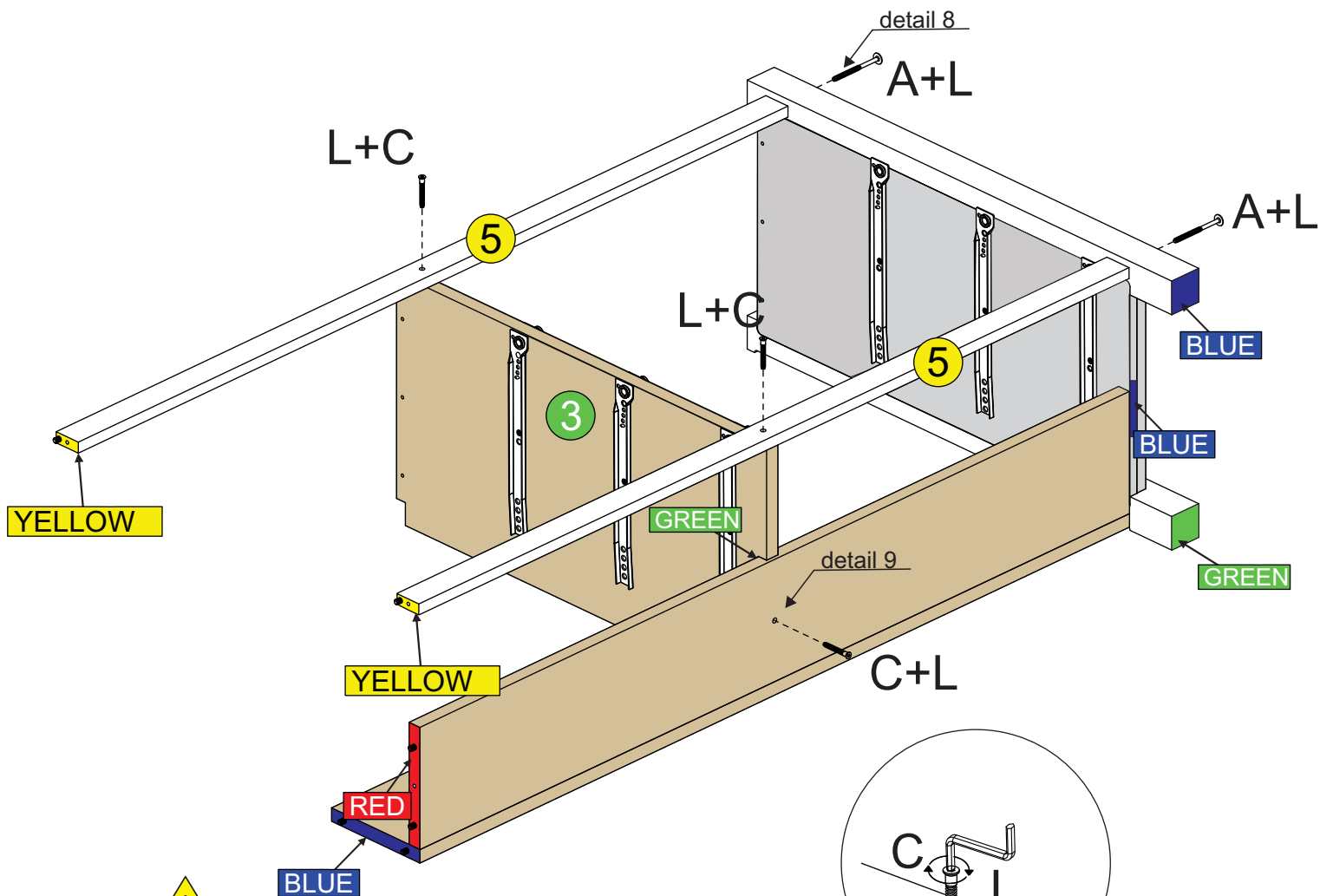
Ø7 x 70mm



Ø7 x 50mm



Detail 8



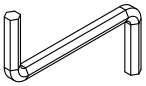
Detail 9



Please assemble on a clean soft surface to avoid damage.

# STEP 7

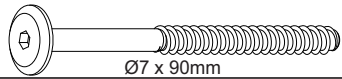

## TOOLS REQUIRED

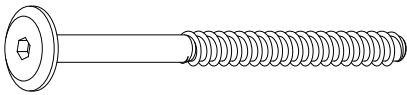


## PARTS REQUIRED

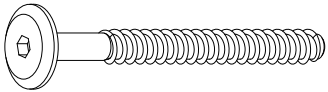
2 - Left side panel (RED) (BLACK) x1

## HARDWARE REQUIRED

A		03
B		01



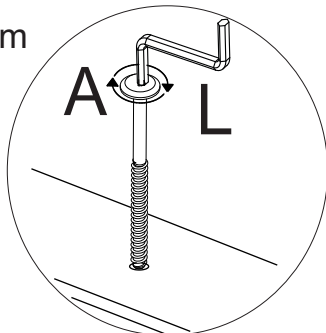
Ø7 x 90mm



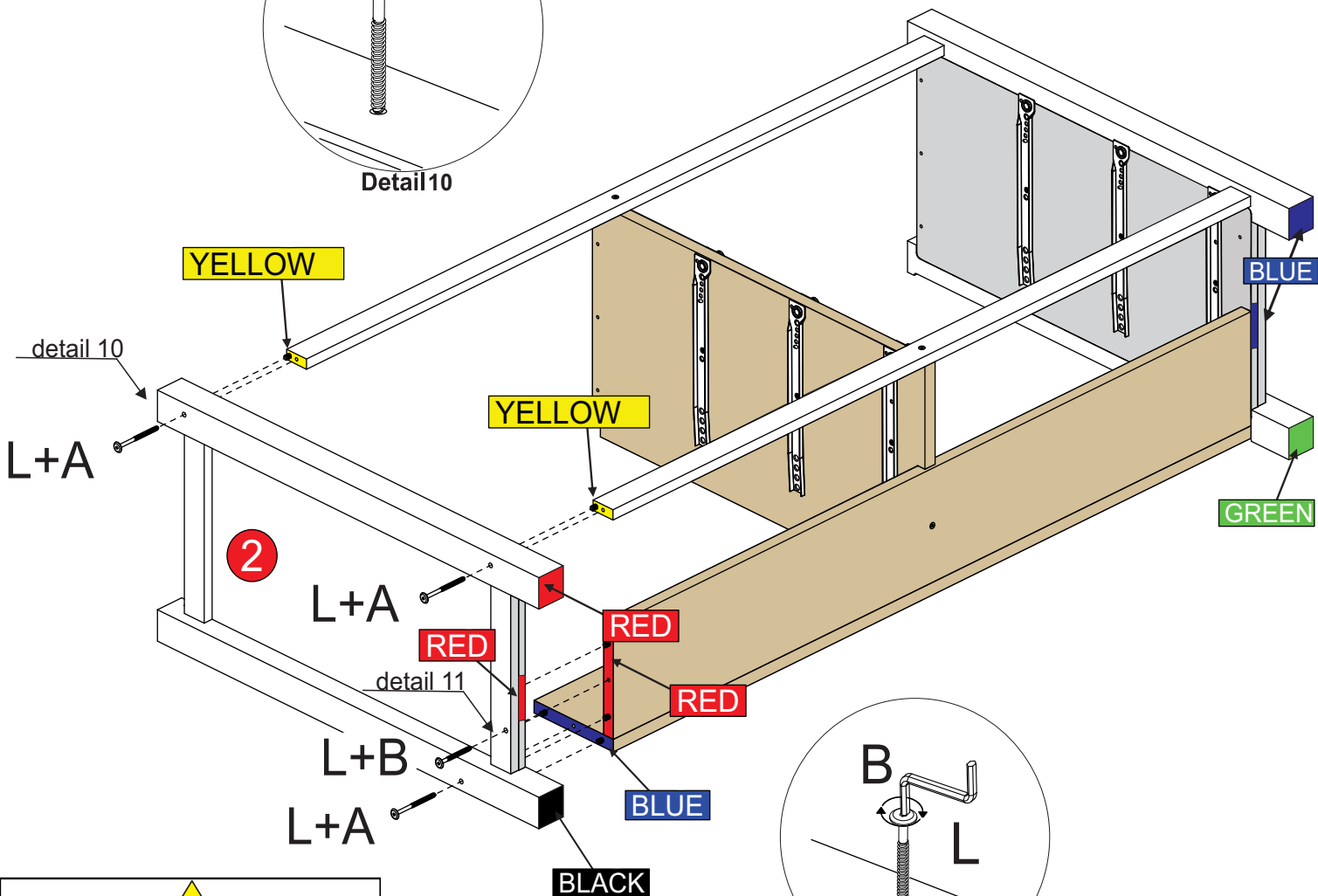
Ø7 x 70mm



Ø7 x 50mm



Detail 10



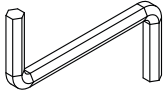
Please assemble on a clean soft surface to avoid damage.

# STEP 8

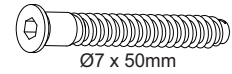
## PARTS REQUIRED

## HARDWARE REQUIRED

### TOOLS REQUIRED

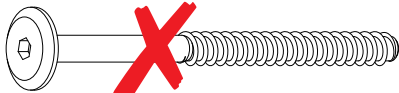


C



01

Ø7 x 50mm



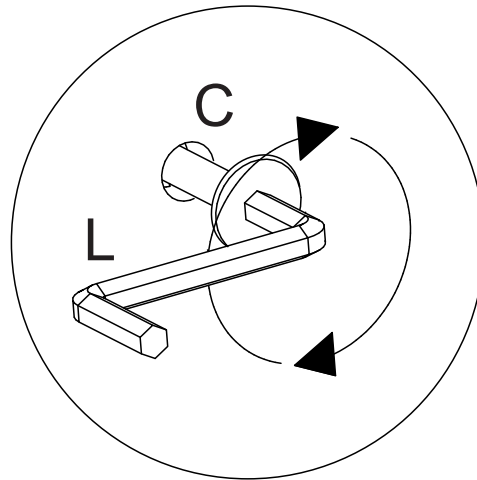
Ø7 x 90mm



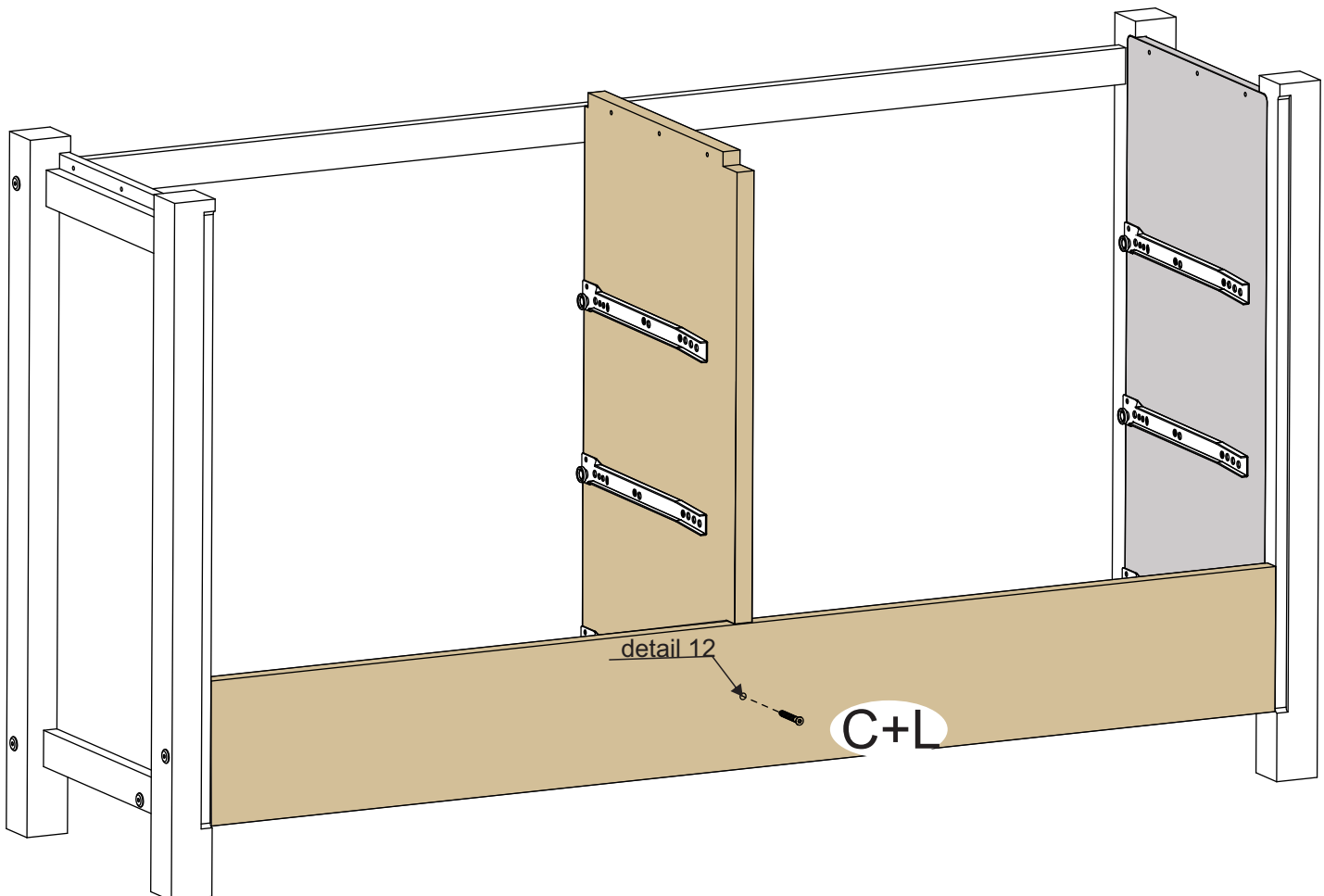
Ø7 x 70mm



Ø7 x 50mm

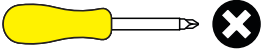


Detail 12



# STEP 9

TOOLS REQUIRED

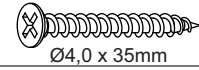


## PARTS REQUIRED

4 - Top panel (NATURAL) x1

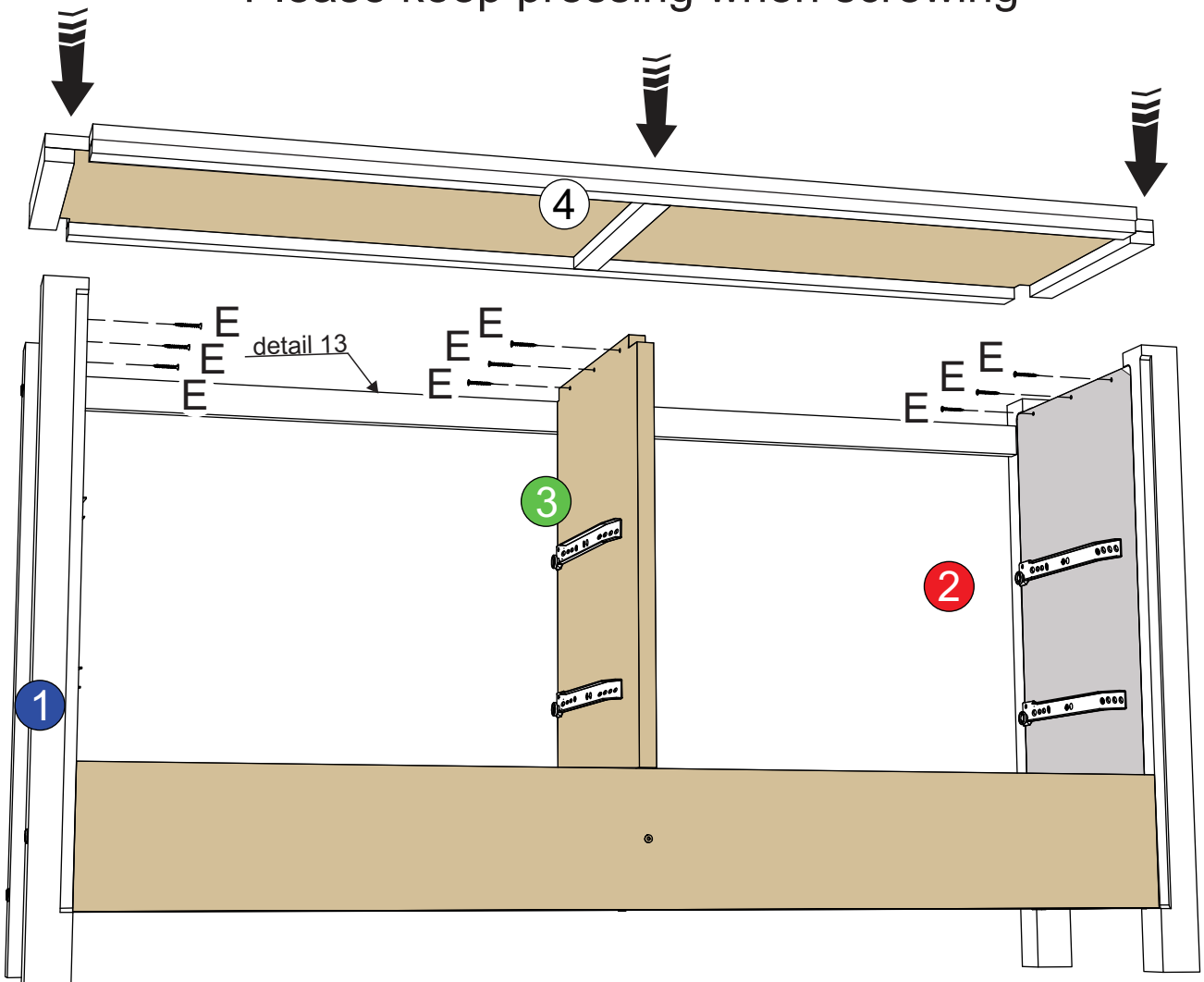
## HARDWARE REQUIRED

E

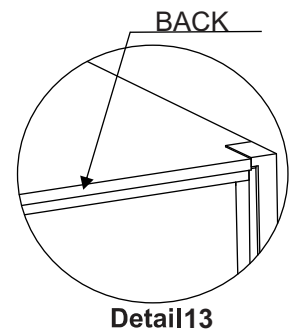


09

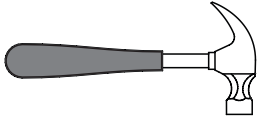
Please keep pressing when screwing



Please assemble on a clean soft surface to avoid damage.



# STEP 10



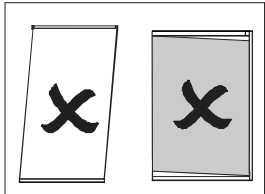
## PARTS REQUIRED

12 - Upper back panel (NATURAL) x1

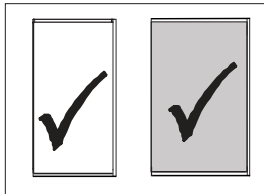
13 - Down back panel (NATURAL) x1

## HARDWARE REQUIRED

H		33
O		01

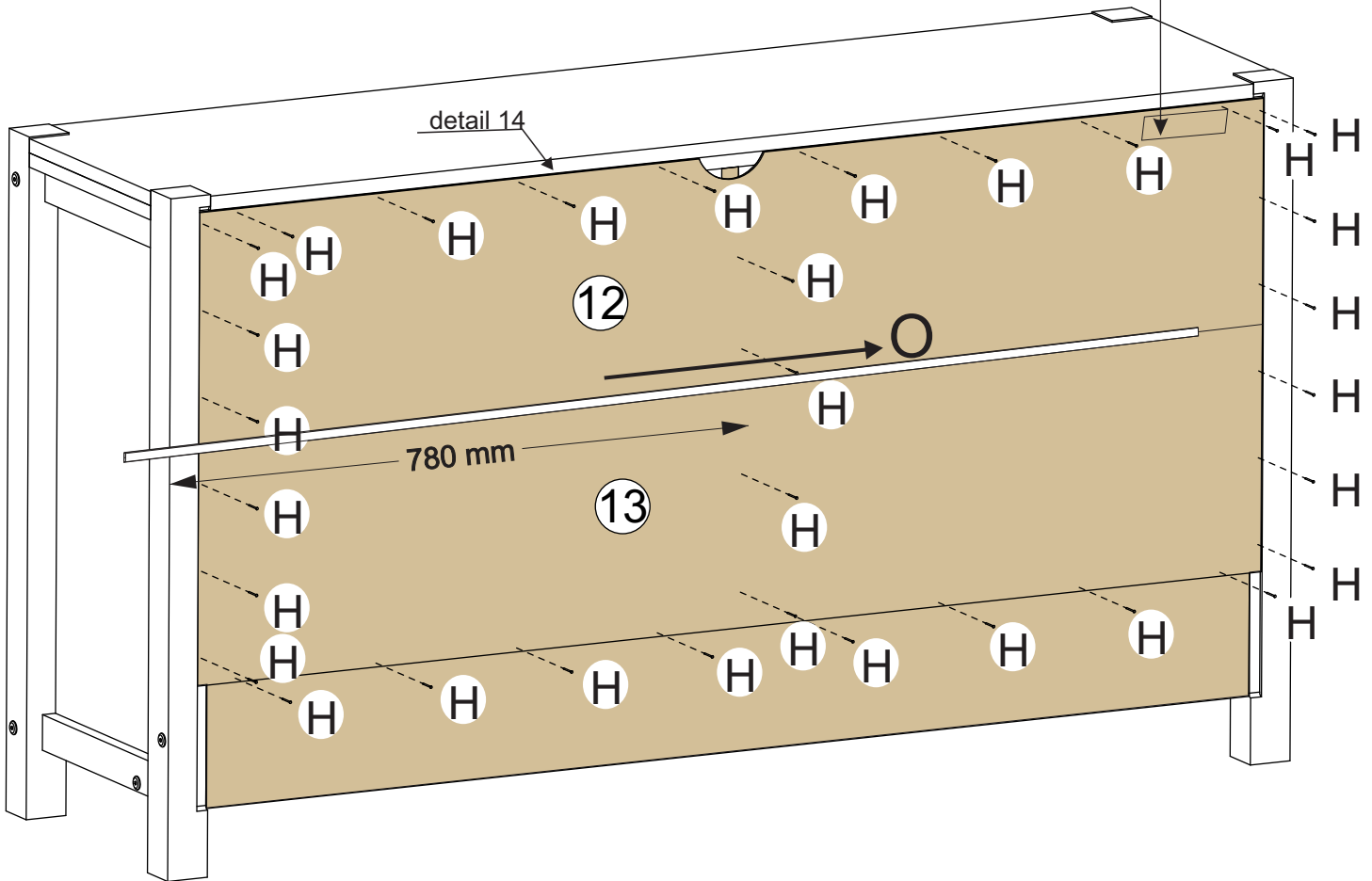


detail 14



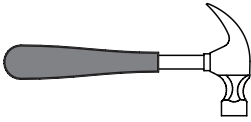
detail 14

\* For your future reference  
Order Number should be here



# STEP 11

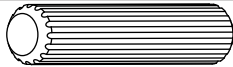

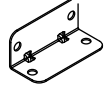

## TOOLS REQUIRED

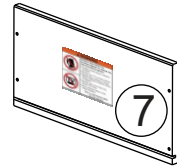


## PARTS REQUIRED

7 - side panel x2 (x12)

## HARDWARE REQUIRED

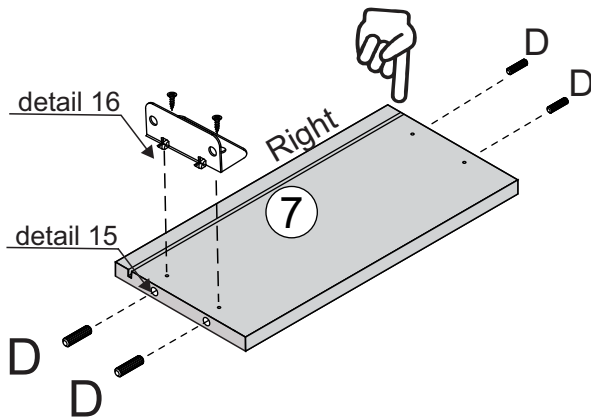
D	 Ø8 x 30mm	48
M		01
I	 Metal bracket	12
K	 Ø3,5 x 14mm	24



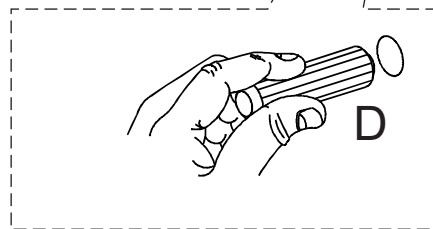
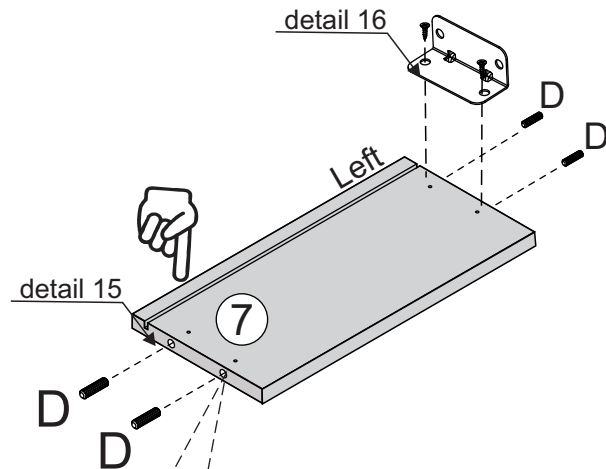
**1x**

The side drawer with WARNING LABEL, should be mounted in highest drawer.

**(x6)**



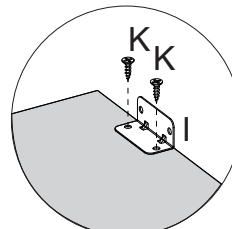
**(x6)**



Please assemble on a clean soft surface to avoid damage.



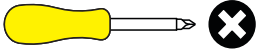
Detail 15



Detail 16

# STEP12

## TOOLS REQUIRED



## PARTS REQUIRED

9 - Drawer back panel (**BLACK**) x6

7 - Side panel x 12

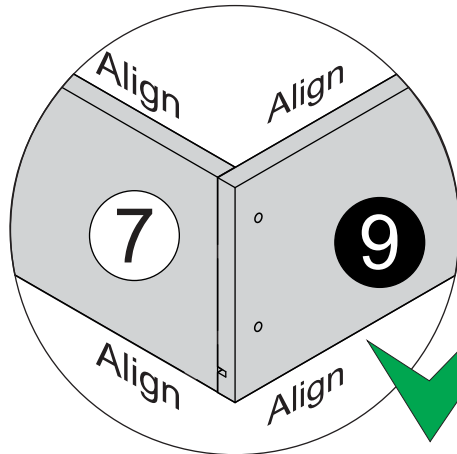
## HARDWARE REQUIRED

E

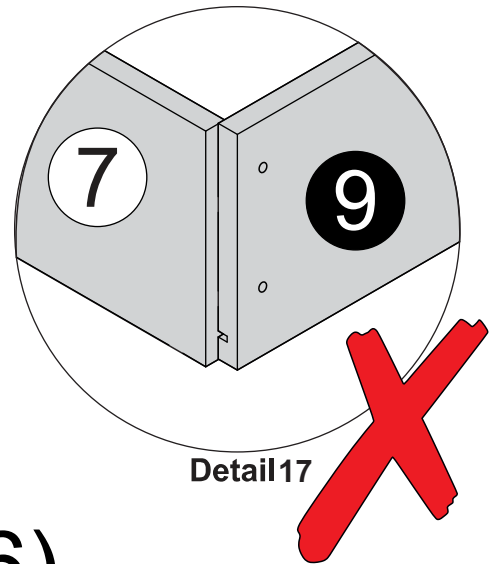


Ø4,0 x 35mm

24

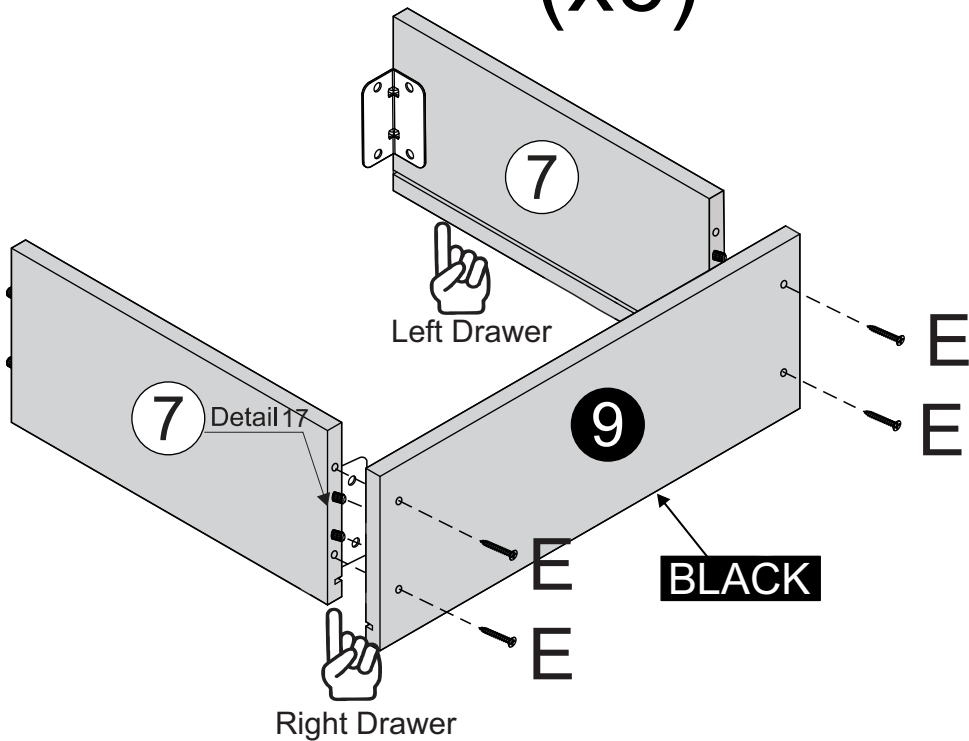


Detail17

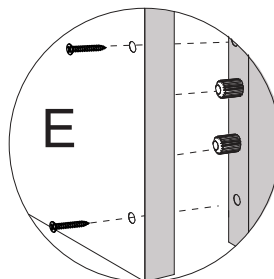


Detail17

(x6)



Please assemble on a clean soft surface to avoid damage.

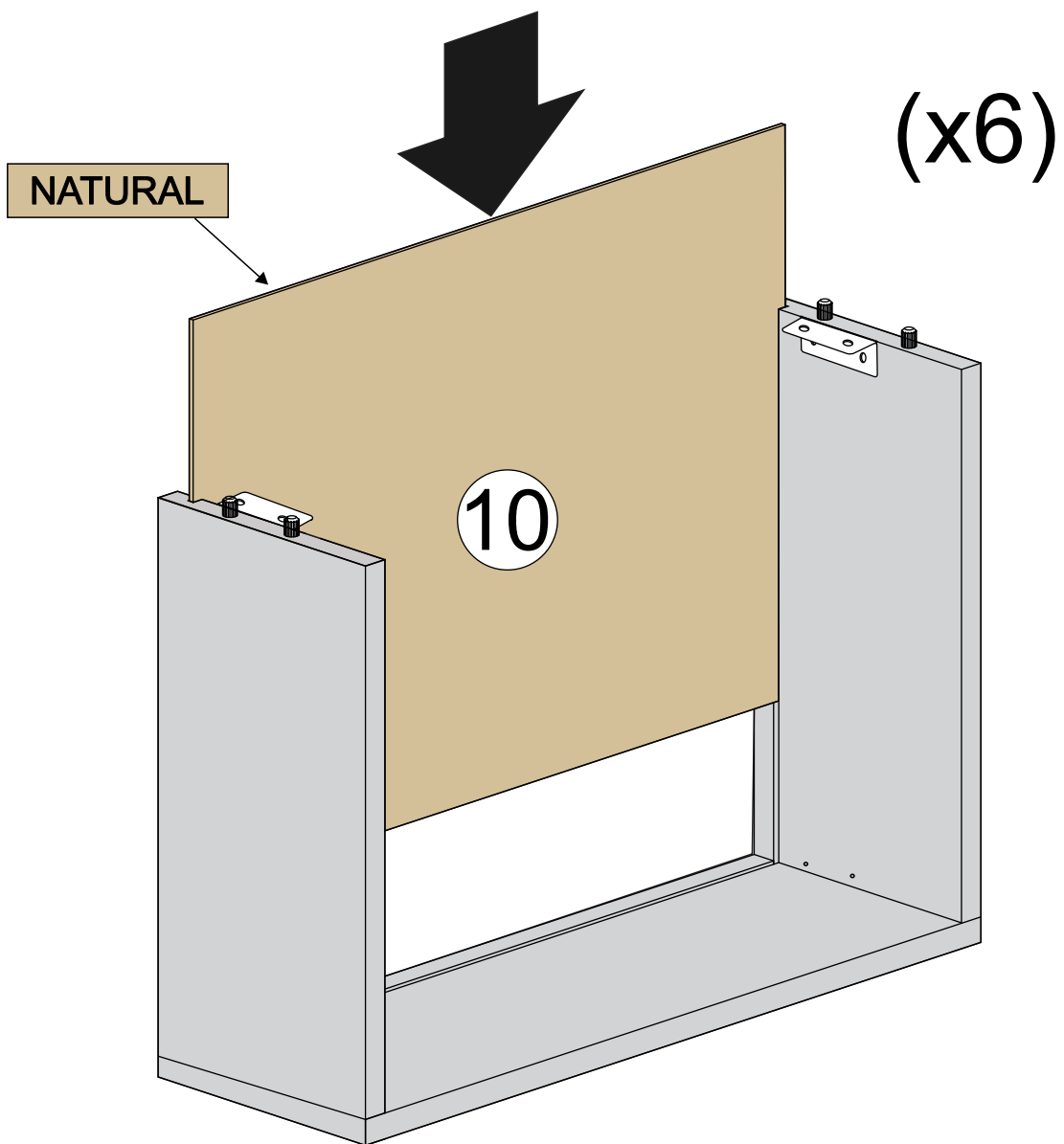
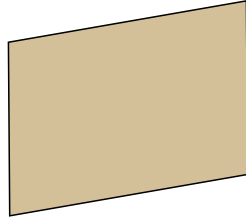


Detail17

# STEP13

## PARTS REQUIRED

10 - Drawer bottom panel (NATURAL) x6



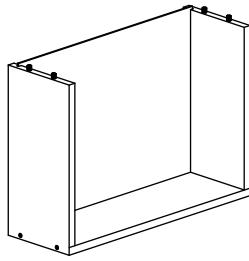
Please assemble on a clean soft surface to avoid damage.

# STEP 14

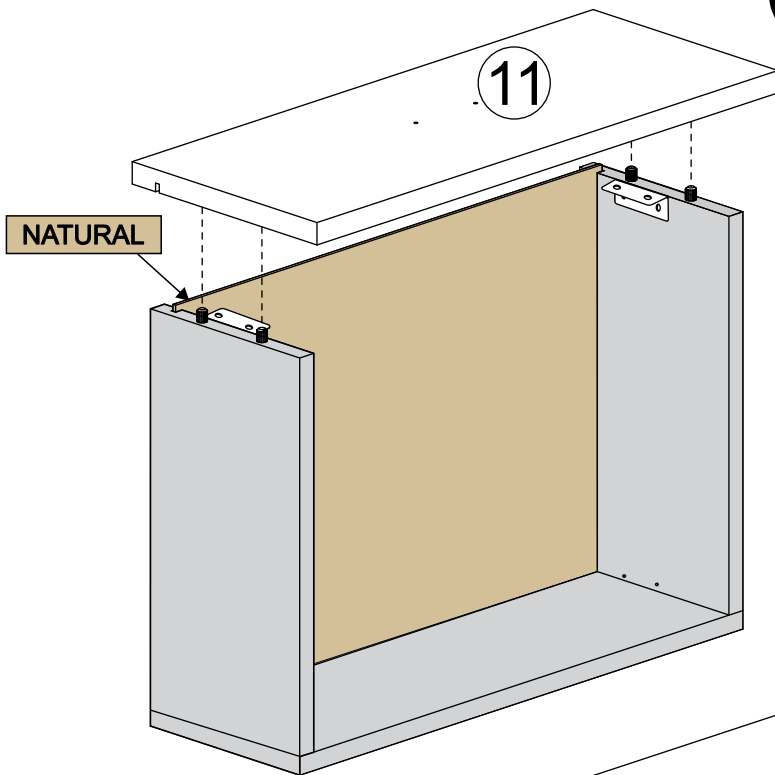
## PARTS REQUIRED

6 - Drawer front x3

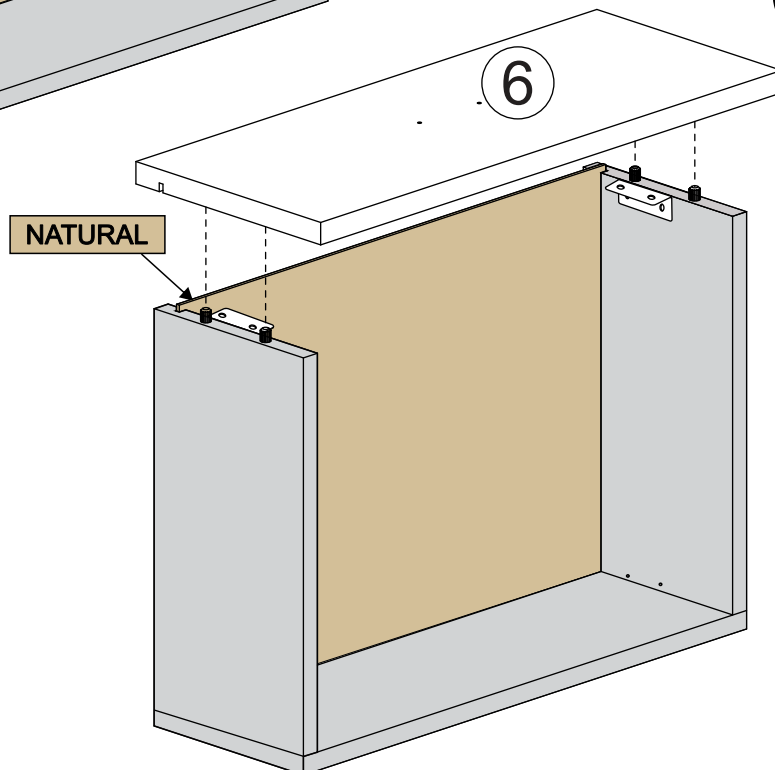
11 - Drawer front x3



(x3)



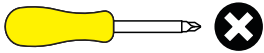
(x3)




Please assemble on a clean soft surface to avoid damage.

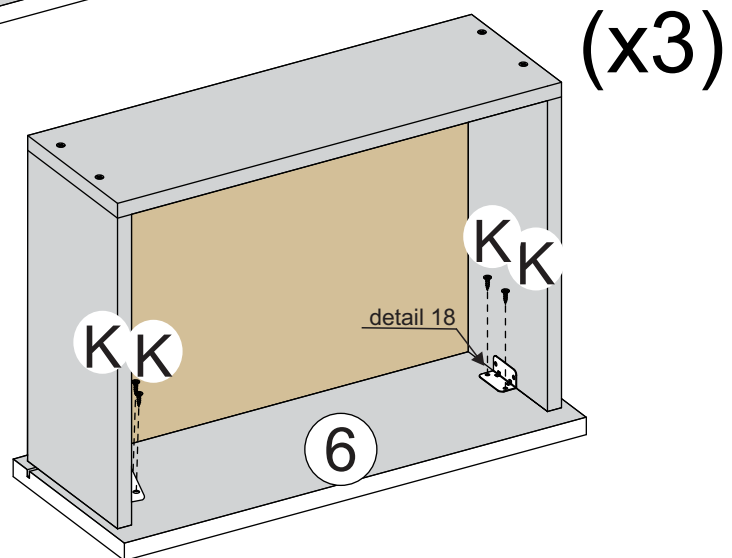
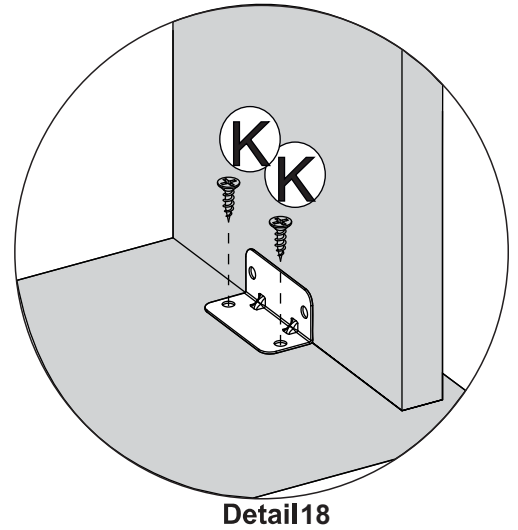
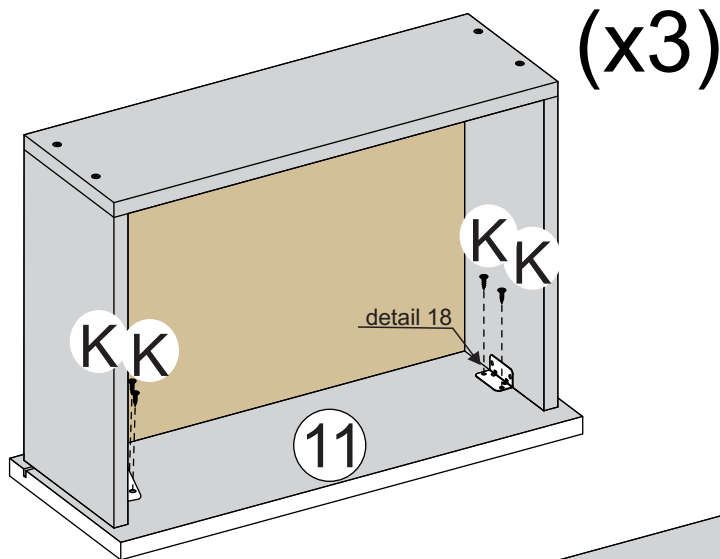
# STEP 15

TOOLS REQUIRED



HARDWARE REQUIRED

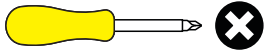
K	 Ø3,5 x 14mm	24
---	--	----



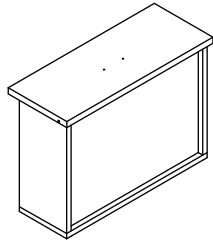
Please assemble on a clean soft surface to avoid damage.

# STEP 16


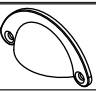
## TOOLS REQUIRED

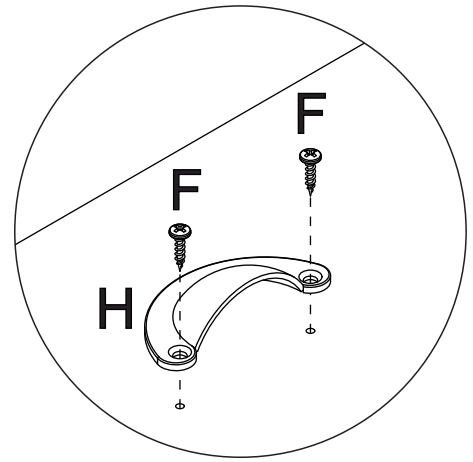


## PARTS REQUIRED



## HARDWARE REQUIRED

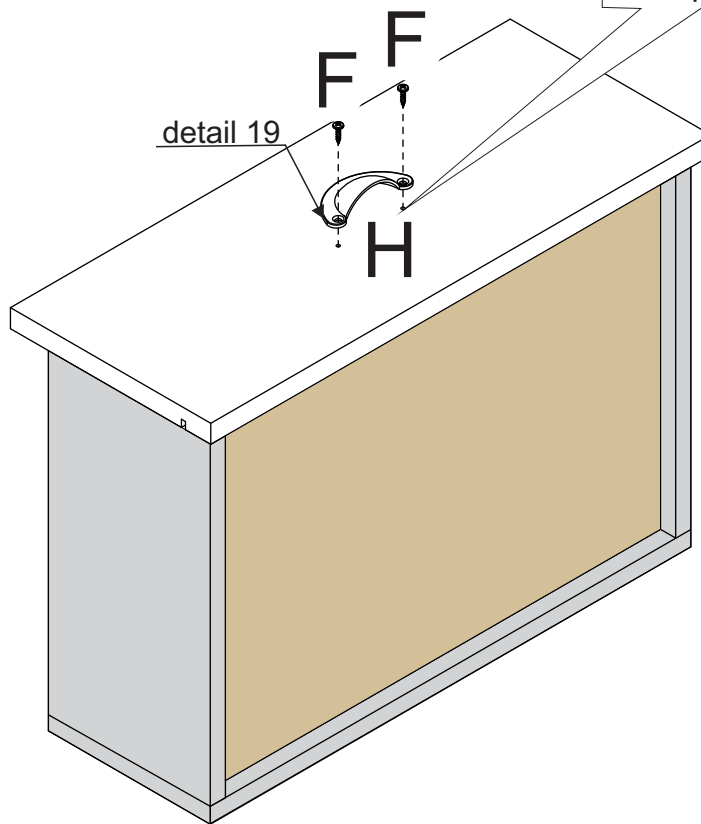
F	 Ø3,5 x 16mm	12
G	 Cup handle	06



Detail 19

(x6)

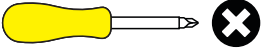
PLEASE NOTE  
PRE-DRILLED  
HOLES.



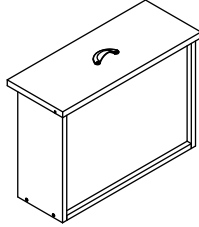
Please assemble on  
a clean soft surface  
to avoid damage.

# STEP 17

TOOLS REQUIRED

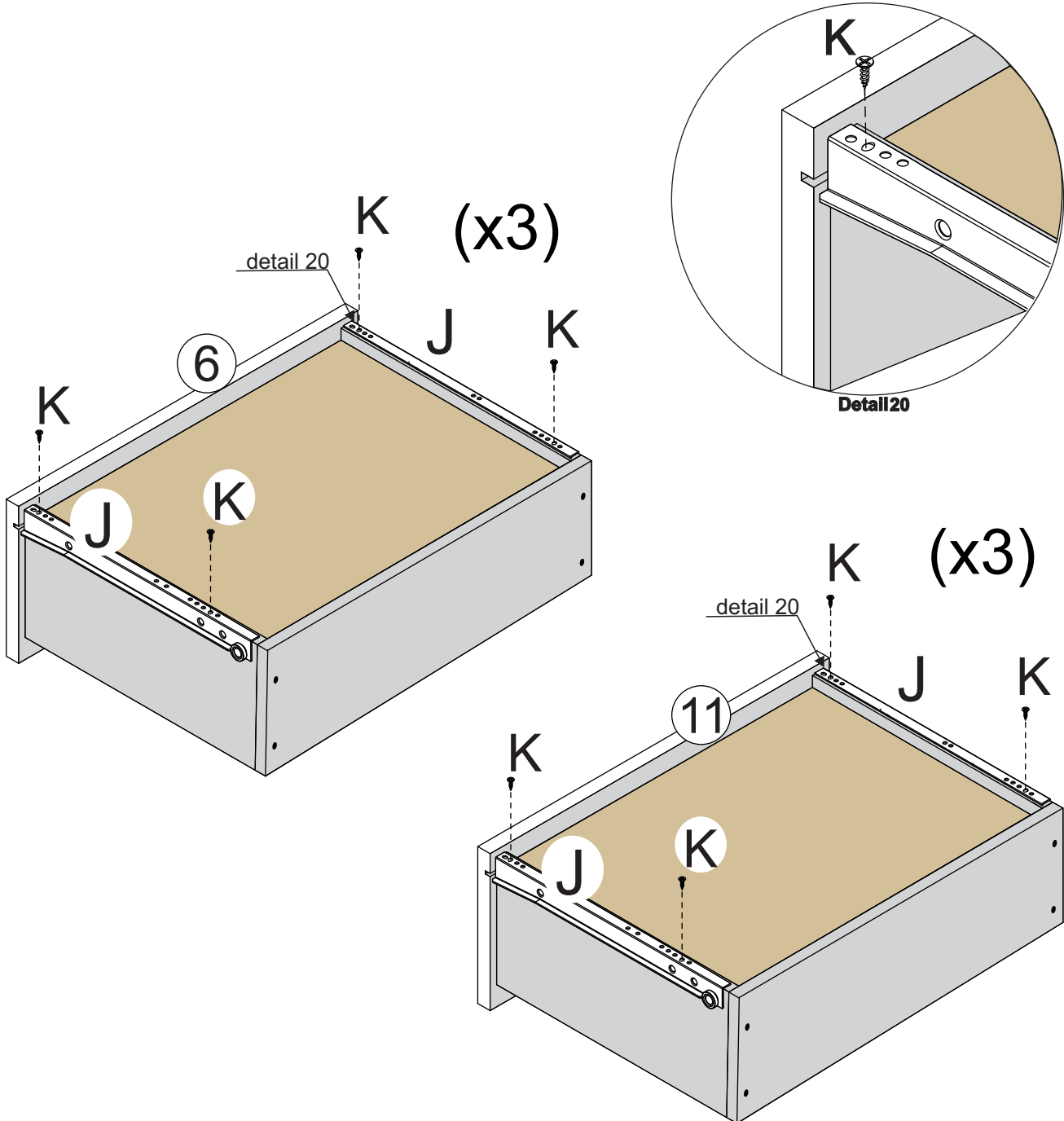


PARTS REQUIRED

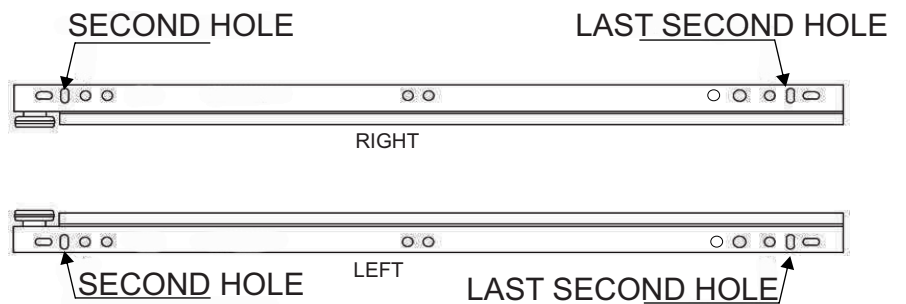


HARDWARE REQUIRED

J		06
K		24

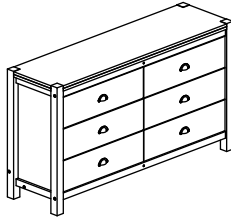


**!**  
Please assemble on a clean soft surface to avoid damage.




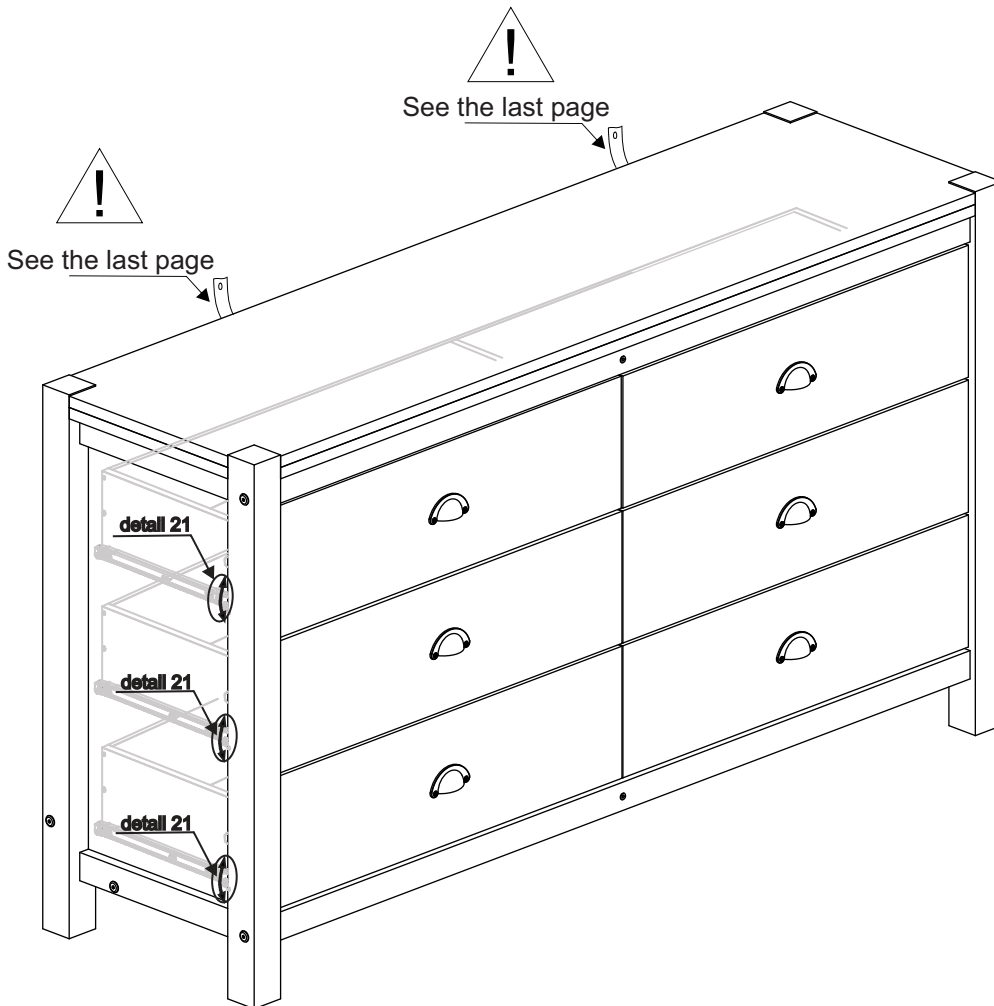
# STEP 18

## PARTS REQUIRED

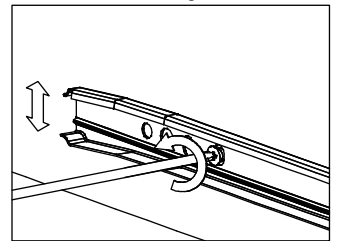


## HARDWARE REQUIRED

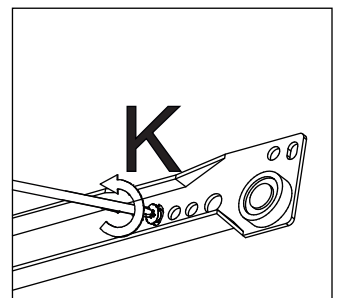
K	 Ø3,5 x 14mm	12
---	--	----



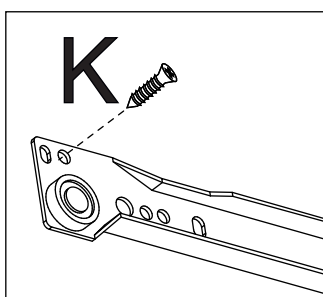
### Drawer Adjustment



### Drawer Adjustment Right Side

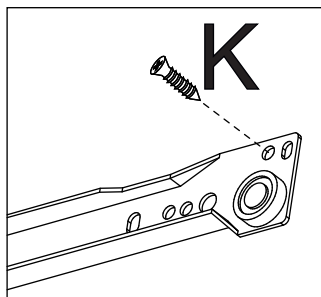


### Drawer Lock Left Side



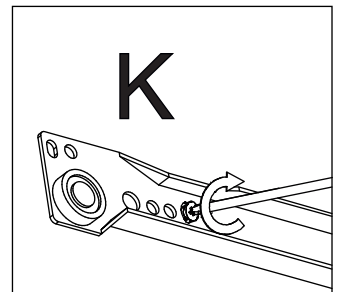
Detail 21

### Drawer Lock Right Side



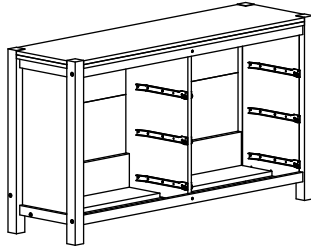
Detail21

### Drawer Adjustment Left Side



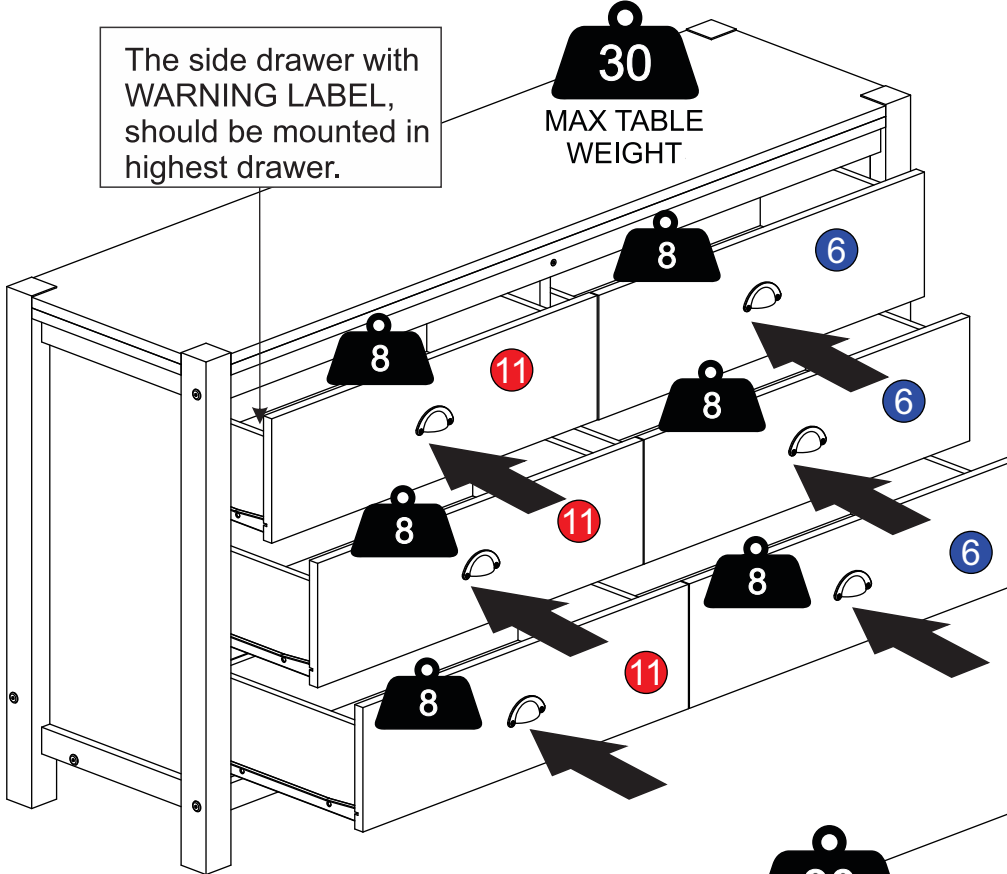
# STEP19

## PARTS REQUIRED

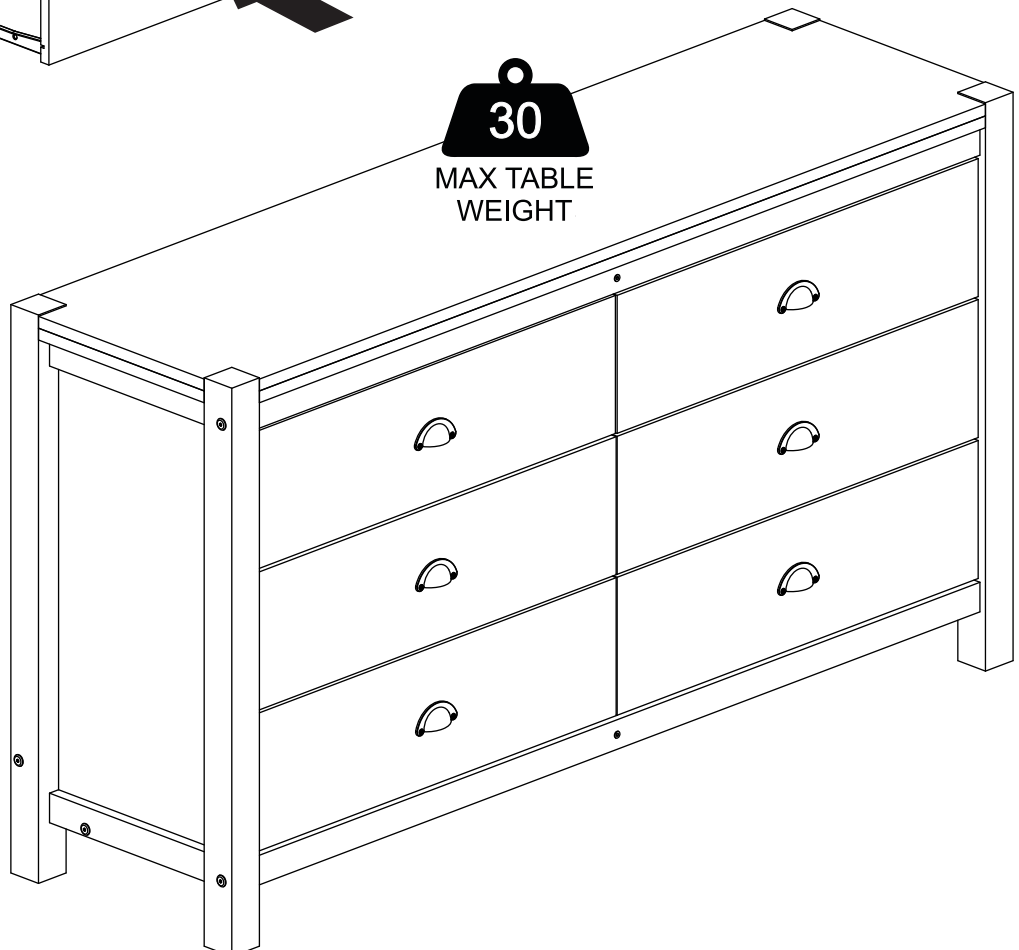


The side drawer with WARNING LABEL, should be mounted in highest drawer.

**30**  
MAX TABLE  
WEIGHT



**30**  
MAX TABLE  
WEIGHT



# WARNING

**Serious or fatal injuries can occur from furniture tipping over. To prevent the furniture from tipping over we recommend that it is permanently fixed to the wall.**

Wall fixings are not supplied with this product as different wall materials require different types of fixing devices. Please make sure you use fixings suitable for the walls in your home.

