

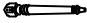






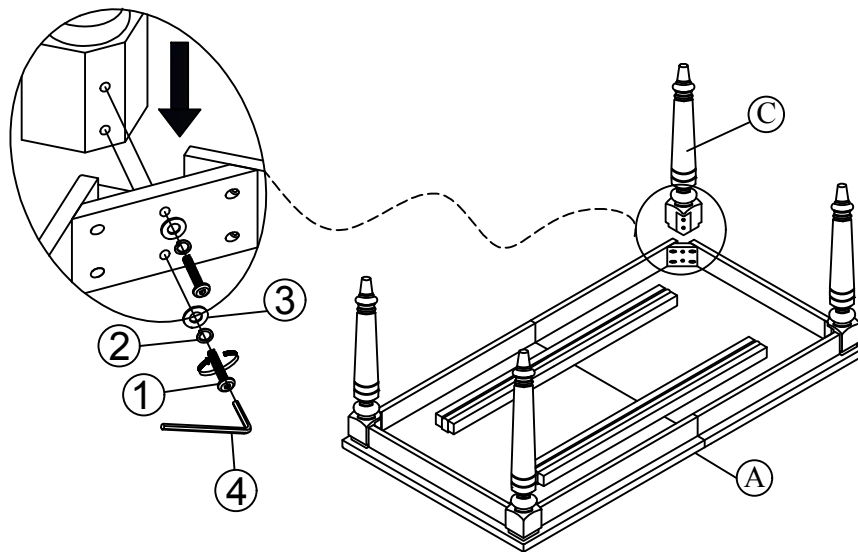
# ASSEMBLY INSTRUCTIONS

**NOTE: THIS ITEM NOT RECOMMENDED FOR COMMERCIAL USE  
KEEP THIS DOCUMENT FOR REFERENCE IN CASE PARTS ARE NEEDED  
DO NOT TIGHTEN SCREWS UNTIL COMPLETELY ASSEMBLED! !**

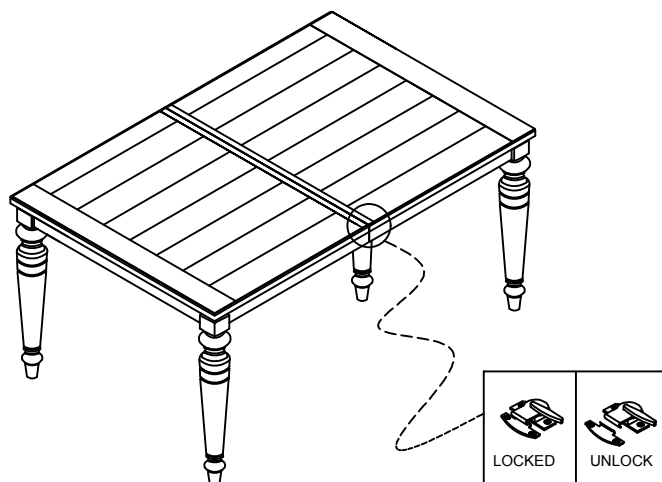
No		PARTS LIST	Q'TY
A		TABLE TOP	1PC
B		TABLE LEAF	1PC
C		LEGS	4PCS

No				Q'TY
1		BOLT	Ø5/16" x 2-3/4"	8PCS
2		LOCK WASHER	Ø5/16" x 10 x 1.1mm	8PCS
3		FLAT WASHER	Ø5/16" x 18 x 2mm	8PCS
4		LOCK WASHER	M4mm	1PC

STEP 1



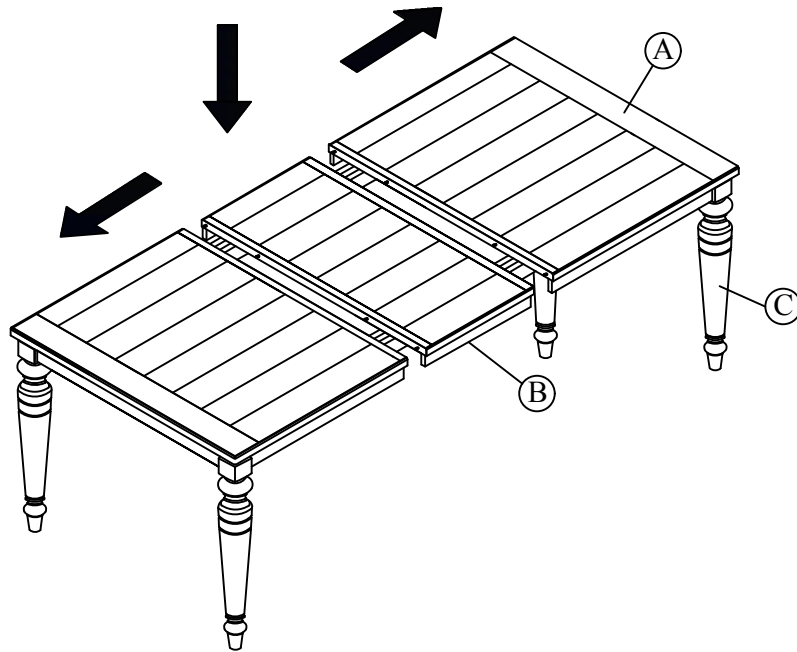
STEP 2



# ASSEMBLY INSTRUCTIONS

**NOTE: THIS ITEM NOT RECOMMENDED FOR COMMERCIAL USE  
KEEP THIS DOCUMENT FOR REFERENCE IN CASE PARTS ARE NEEDED  
DO NOT TIGHTEN SCREWS UNTIL COMPLETELY ASSEMBLED!!**

## STEP 3



## FINAL

