

Please read these instructions and warranty information carefully before use and keep them properly for future reference.

OPERATING I NSTRUCTI ONS

Assembling Instruction

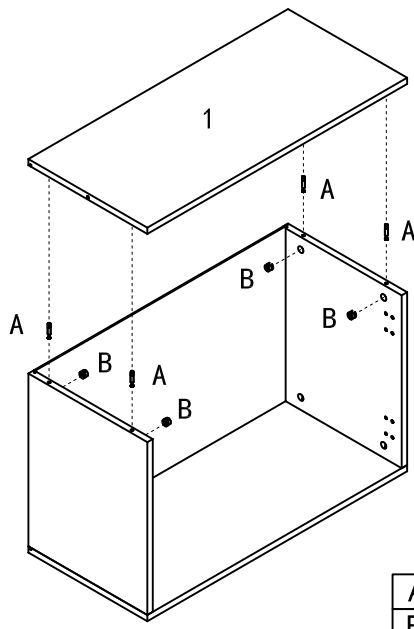
Attention: Do not tighten the screws until all of them are in right positions

1 X1	2 X1	3 X1	4 X1	5 X1
6 X1	7 X1	8 X3	9 X6	10 X2
11 X2	12 X2	13 X2	A M6X40 X8	C M6X35 X20
D M6X25 X4	F M4X14 X12	H M5X50 X2	B M15X11 X8	K X2
E M6X12 X16	G M4X14 X28	J X4	L X2	

1 	2
-------	-------

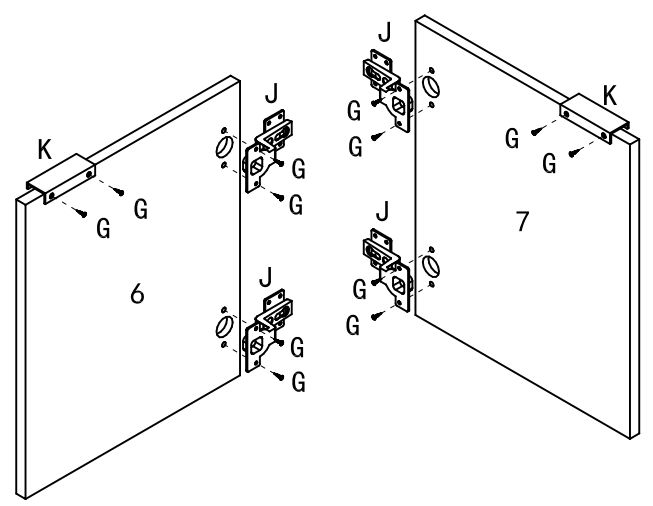
A	X4
B	X4

3



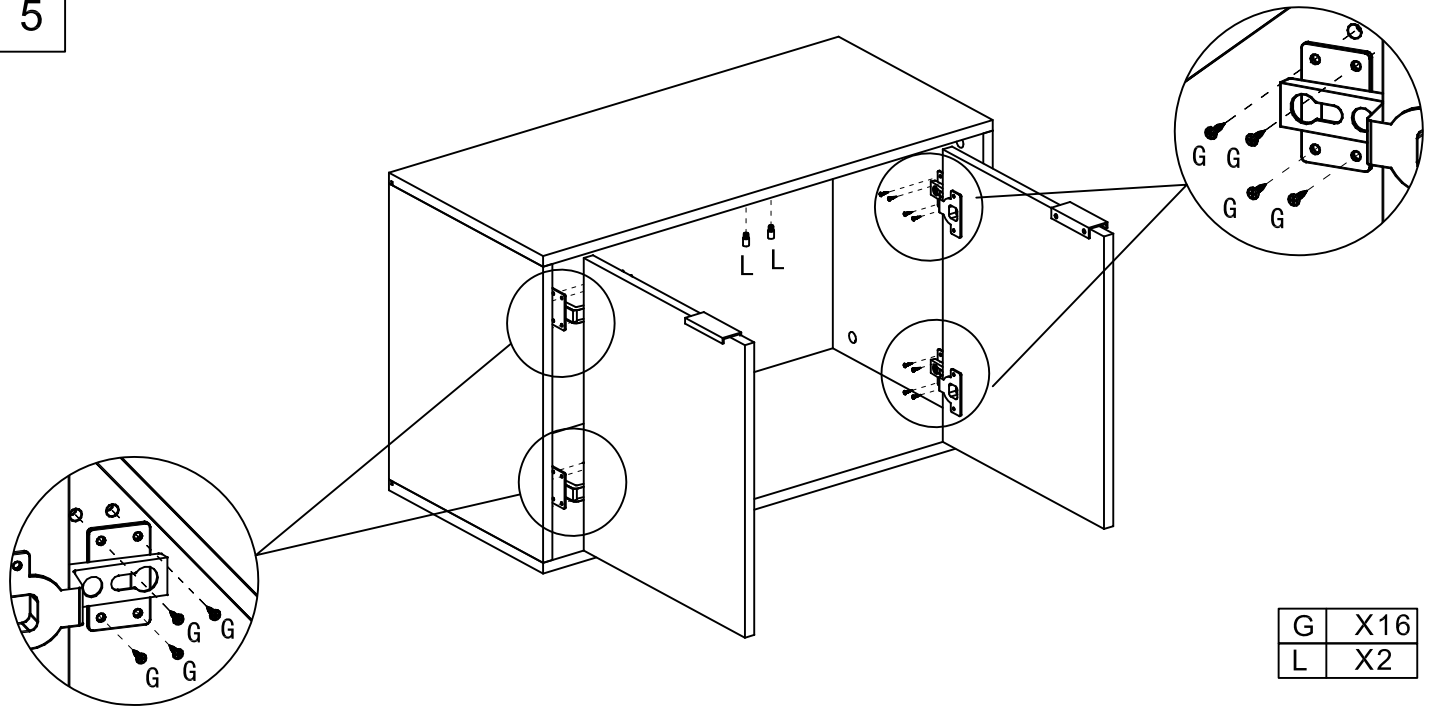
A	X4
B	X4

4



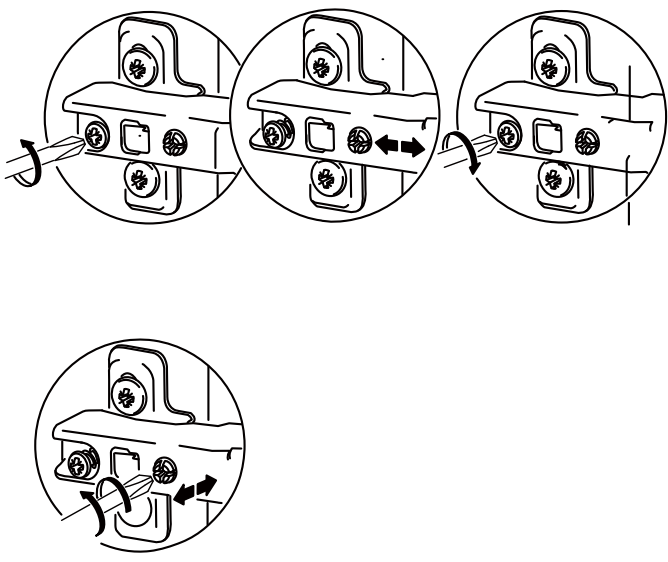
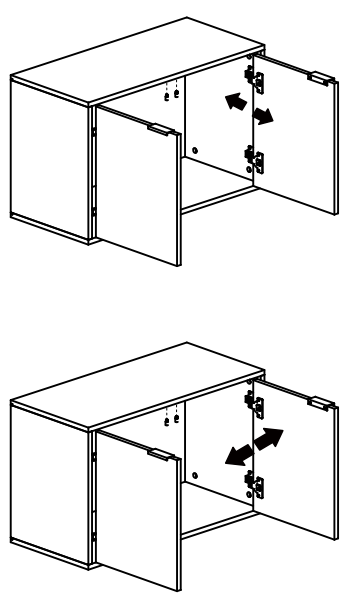
G	X12
J	X4
K	X2

5

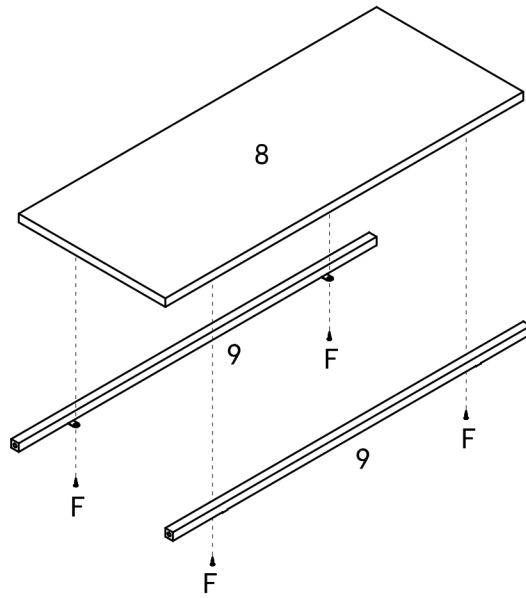


G	X16
L	X2

6



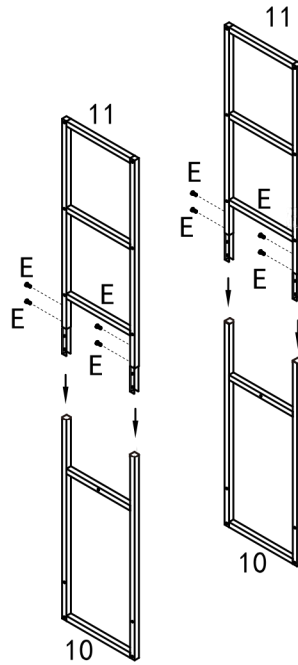
7



X3

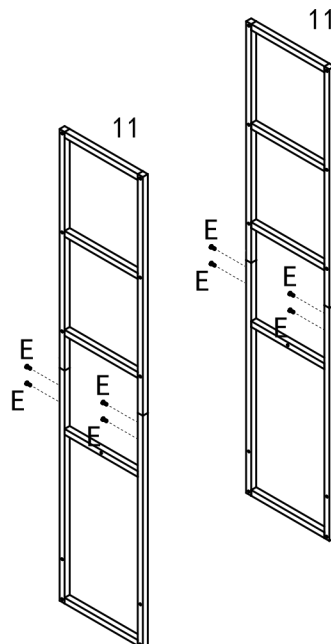
F	X12
---	-----

8



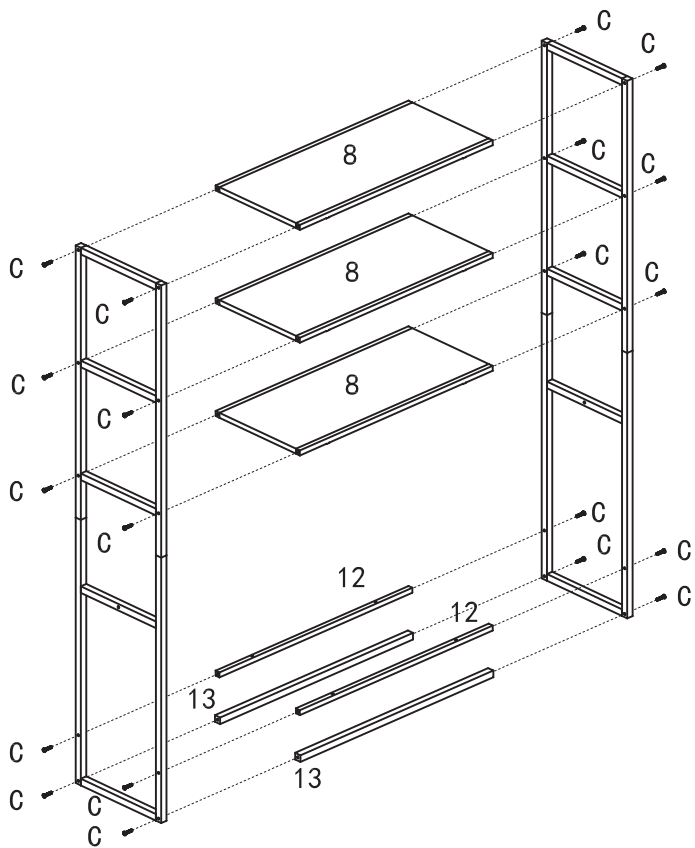
E	X 8
	X 4

9



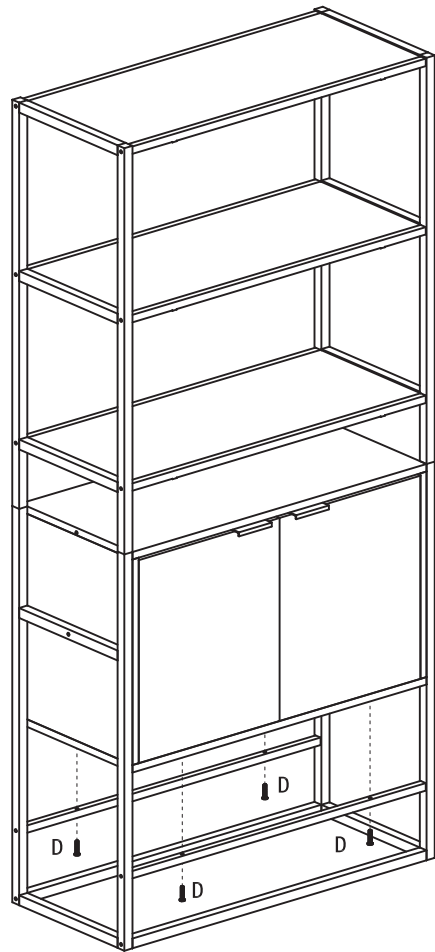
E	X 8
---	-----

10



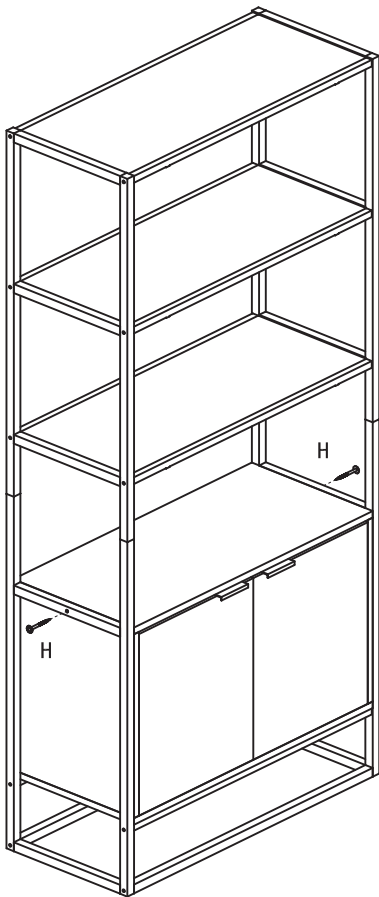
C X20

11



D X4

12



H X2

