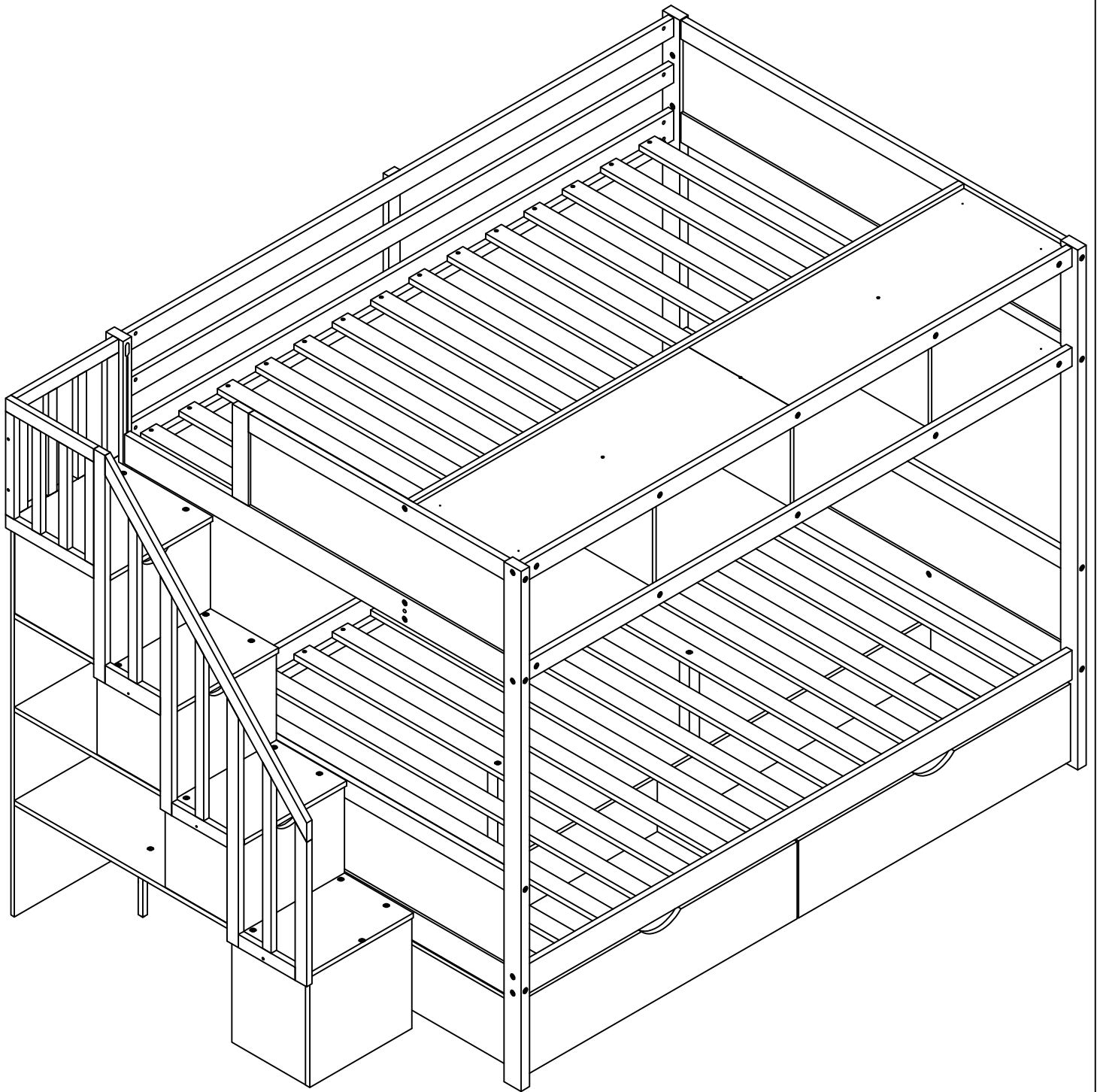


ASSEMBLY INSTRUCTION



! SAFETY WARNINGS !

1. This bed is designed for use only mattress (es) meeting the following specifications on the upper bunk, and lower bunk

Upper bed

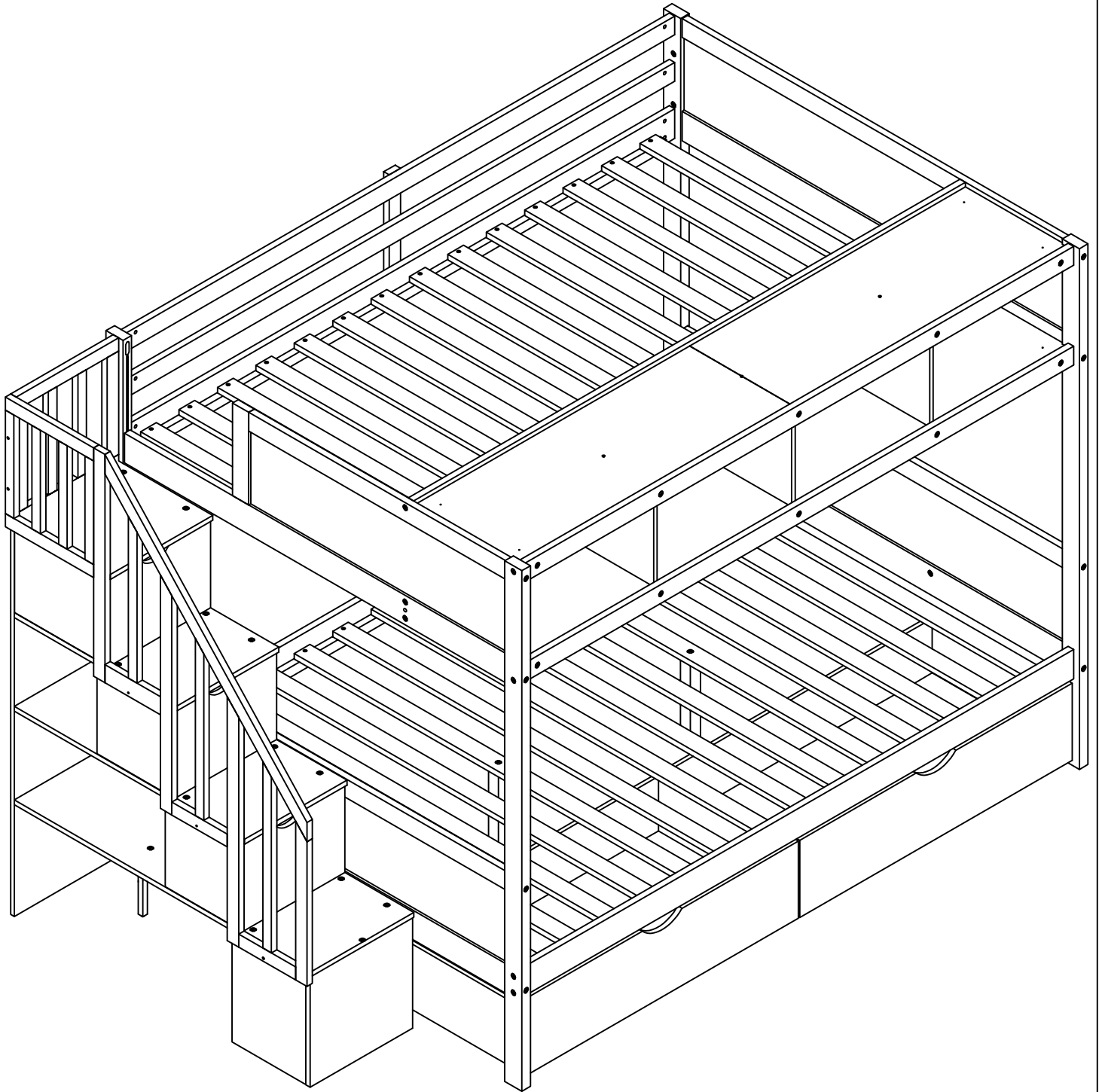
Bed Type	Length	Width	Thickness
<i>Twin Standard</i>	<i>74" - 75"</i>	<i>38 1/2"</i>	<i>6" max</i>

Lower bed

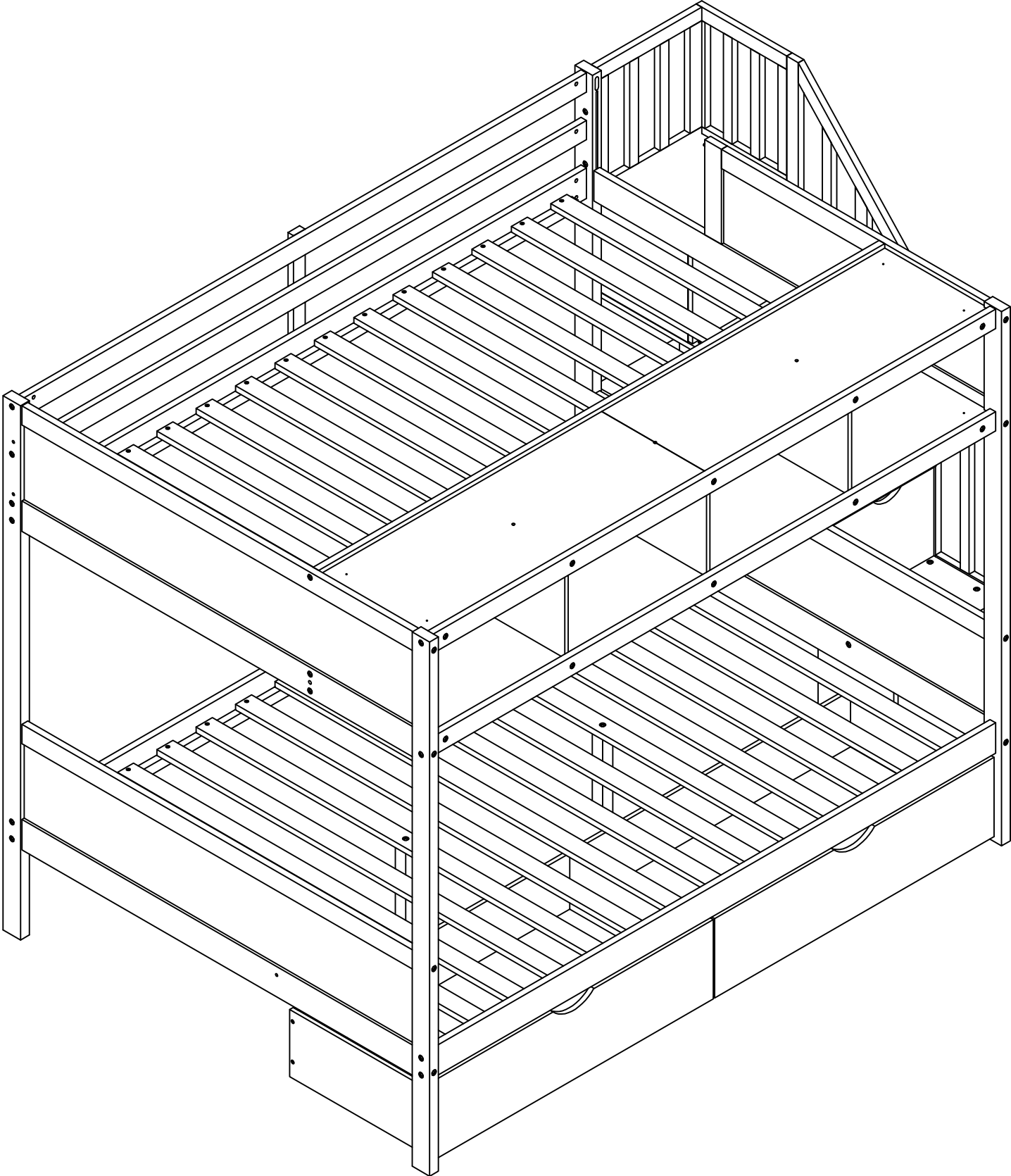
Bed Type	Length	Width	Thickness
<i>Full Standard</i>	<i>74" - 75"</i>	<i>53 1/2"</i>	<i>8" max</i>

2. Replacement parts, including additional guardrails, maybe obtained from any of our dealers
3. Follow the information on the warnings appearing on the upper bunk bed end structure and on the carton. Do not remove warning label from bed
4. Always use the recommended size mattresses or mattress supports, or both, to help prevent the likelihood of entrapment or falls.
5. Surface of mattress must be at least 5" (127mm) below the upper edge of guardrails
6. Do not allow children under 6 years of age to use the upper bunk.
7. Periodically check and ensure that the guardrail, ladder, and other components are in their proper position, free from damage, and that all connectors are tight.
8. Do not allow horseplay on or under the bed and prohibit jumping on the bed.
9. Always use the ladder for entering and leaving the upper bunkAlways use the ladder for entering and leaving the upper bunk.
10. Do not use substitute part. Contact the manufacture or dealer for replacement part
11. Use of a night light may provide added safety precaution for a child using the upper bunk..
12. Always use guardrails on both long sides of the upper bunk. If the bunk bed will be placed next to the wall, the guardrail that runs the full length of the bed should be placed against the wall to prevent entrapment between the bed and wall.
13. The use of water or sleep flotation mattresses is prohibited
14. **STRANGULATION HAZARD** - Never attach or hang items to any part of the bunk bed that are not designed for use with the bed; for example, but not limited to, hook, belts and jump ropes
15. Keep these instruction for future reference
16. Prohibit more than one person on upper bunk
17. We recommend assembling your bunk bed on the shipping carton to protect your floor or carpet
18. Be certain all staples are out of the box before beginning assembly on the shipping carton.

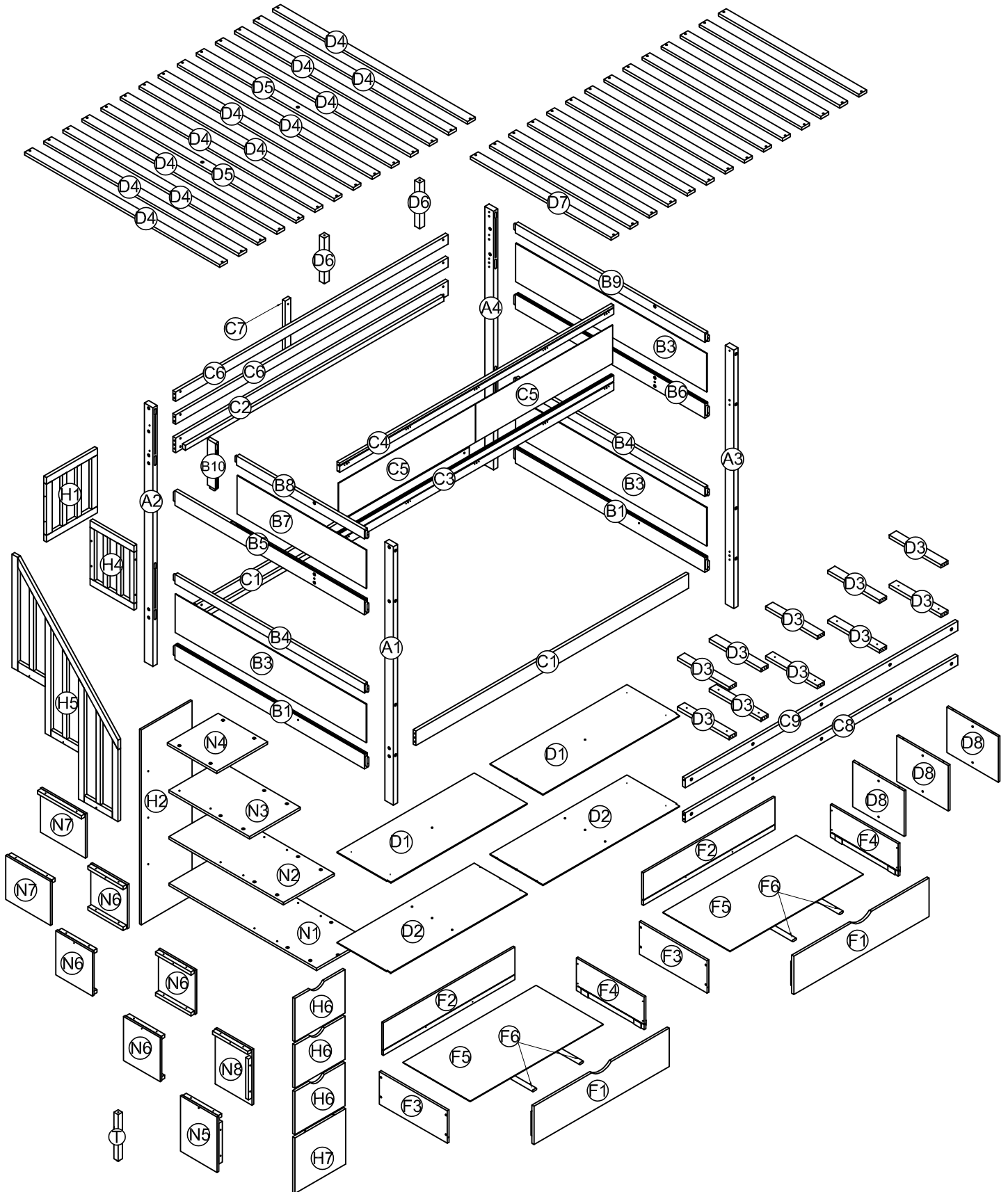
OPTION 1: STAIR IN LEFT




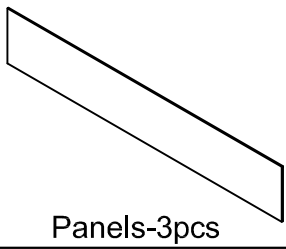
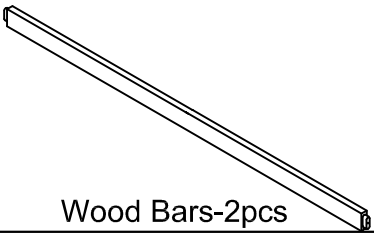
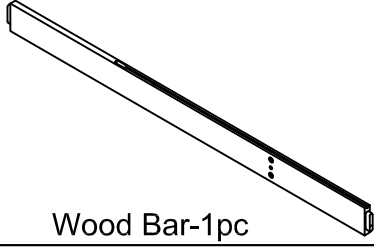
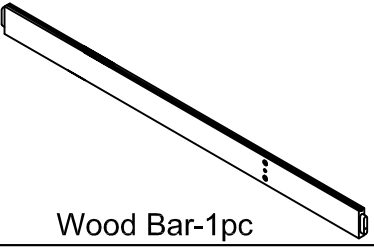
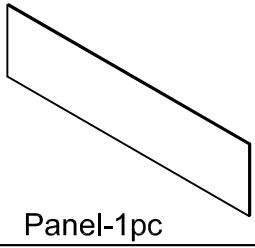
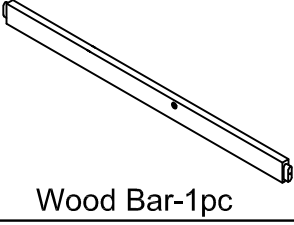
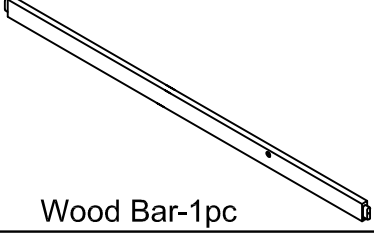

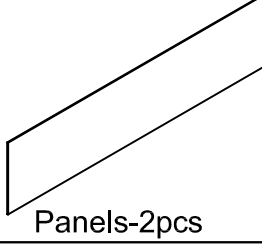
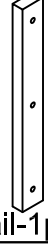
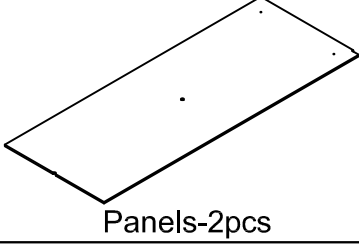
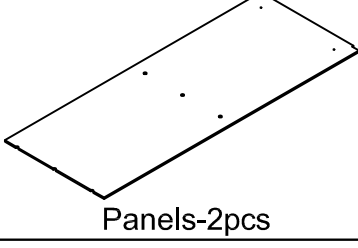
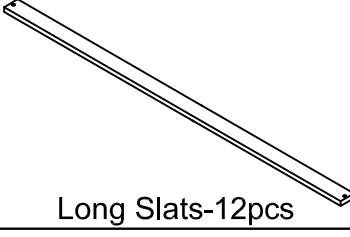
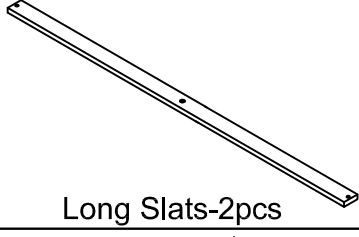

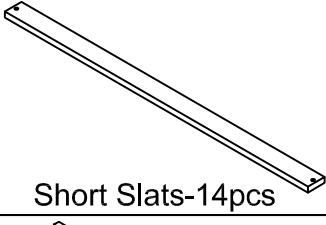
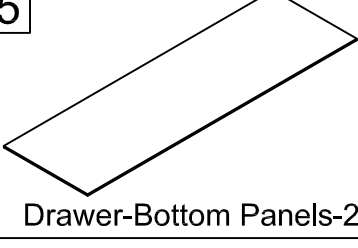
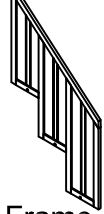
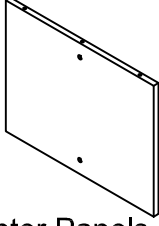
OPTION 2: STAIR IN RIGHT







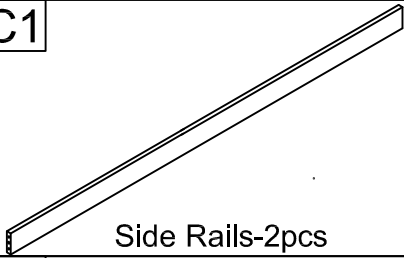
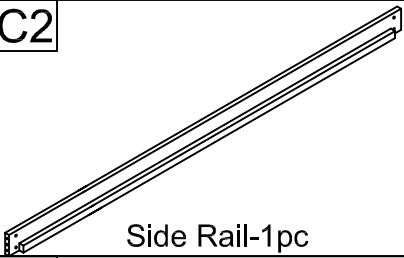
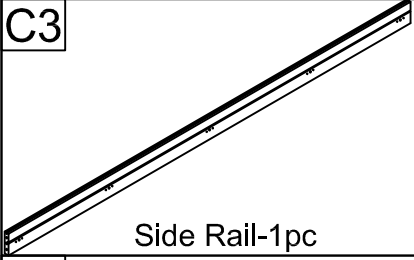
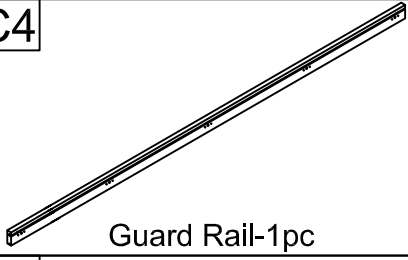
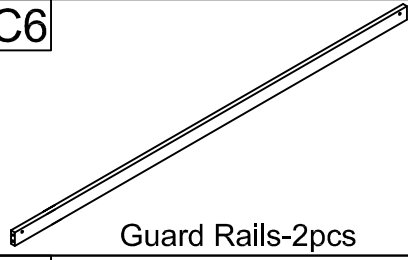
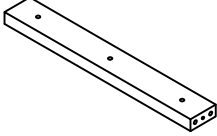
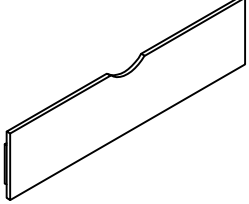
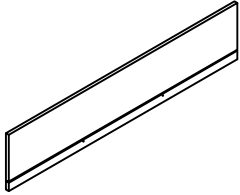
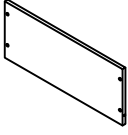
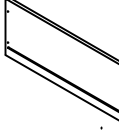
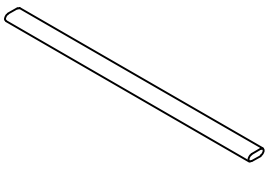
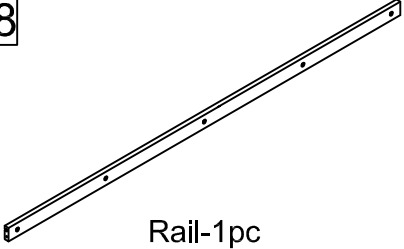
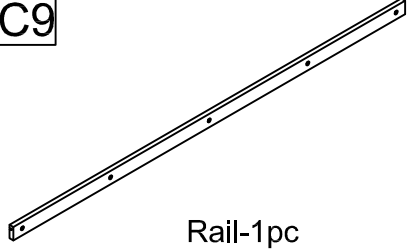
ASSEMBLY INSTRUCTION



Part List & Hardware List

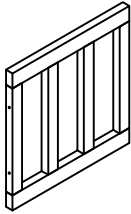
<p>B1</p>  <p>Wood Bars-2pcs</p>	<p>B3</p>  <p>Panels-3pcs</p>	<p>B4</p>  <p>Wood Bars-2pcs</p>
<p>B5</p>  <p>Wood Bar-1pc</p>	<p>B6</p>  <p>Wood Bar-1pc</p>	<p>B7</p>  <p>Panel-1pc</p>
<p>B8</p>  <p>Wood Bar-1pc</p>	<p>B9</p>  <p>Wood Bar-1pc</p>	<p>B10</p>  <p>Wood Bar-1pc</p>
<p>C5</p>  <p>Panels-2pcs</p>	<p>C7</p>  <p>Rail-1pc</p>	<p>D1</p>  <p>Panels-2pcs</p>
<p>D2</p>  <p>Panels-2pcs</p>	<p>D4</p>  <p>Long Slats-12pcs</p>	<p>D5</p>  <p>Long Slats-2pcs</p>
<p>D6</p>  <p>Support Slats-2pcs</p>	<p>D7</p>  <p>Short Slats-14pcs</p>	<p>F5</p>  <p>Drawer-Bottom Panels-2pcs</p>
<p>H5</p>  <p>Stair-Side Frame-1pc</p>	<p>D8</p>  <p>Center Panels-3pcs</p>	

Part List

<p>A1</p>  <p>Leg-1pc</p>	<p>A2</p>  <p>Leg-1pc</p>	<p>A3</p>  <p>Leg-1pc</p>
<p>A4</p>  <p>Leg-1pc</p>	<p>C1</p>  <p>Side Rails-2pcs</p>	<p>C2</p>  <p>Side Rail-1pc</p>
<p>C3</p>  <p>Side Rail-1pc</p>	<p>C4</p>  <p>Guard Rail-1pc</p>	<p>C6</p>  <p>Guard Rails-2pcs</p>
<p>D3</p>  <p>Rails-10pcs</p>	<p>F1</p>  <p>Drawer-Front Panels-2pcs</p>	<p>F2</p>  <p>Drawer-Back Panels-2pcs</p>
<p>F3</p>  <p>Drawer-Side Panels-2pcs</p>	<p>F4</p>  <p>Drawer-Side Panels-2pcs</p>	<p>F6</p>  <p>Drawer-Support Bottom-4pcs</p>
<p>C8</p>  <p>Rail-1pc</p>	<p>C9</p>  <p>Rail-1pc</p>	

Part List

H1



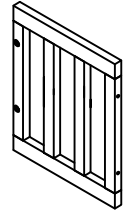
Stair-Back Frame-1pc

H2



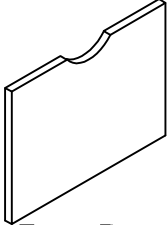
Stair-Back Panel-1pc

H4



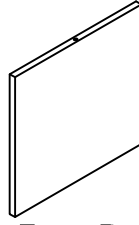
Stair-Side Frame-1pc

H6



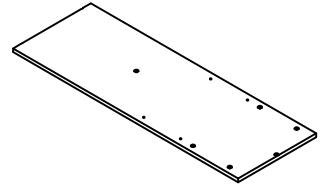
Stair-Front Panels-3pcs

H7



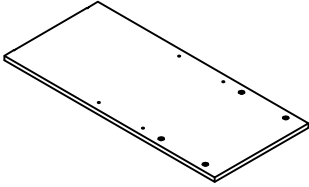
Stair-Front Panel-1pc

N1



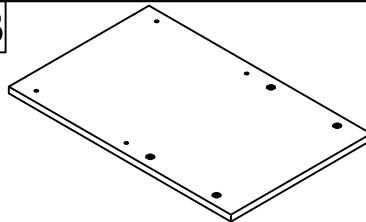
Stair-Panle-1pc

N2



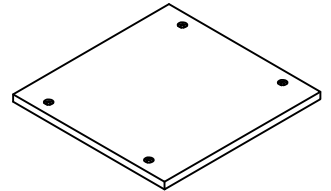
Stair-Panle-1pc

N3



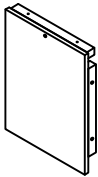
Stair-Panle-1pc

N4



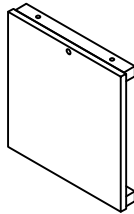
Stair-Panle-1pc

N5



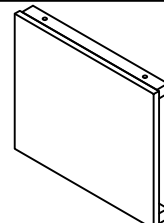
Stair-Side Frame-1pc

N6



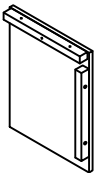
Stair-Side Frames-4pcs

N7



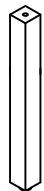
Stair-Side Frames-2pcs

N8




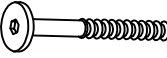
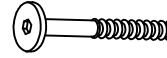
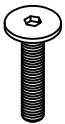
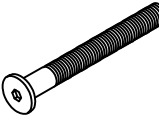
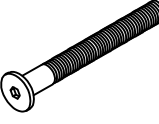
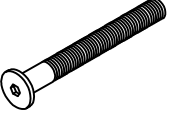
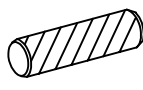
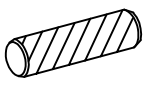
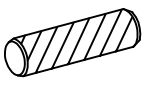

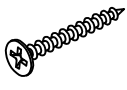
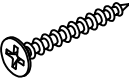
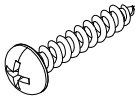
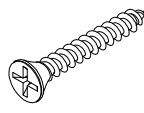
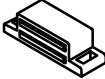
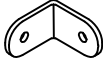
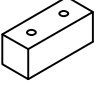
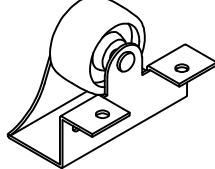

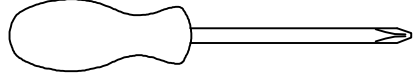
Stair-Side Frame-1pc

T


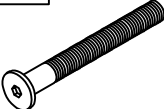


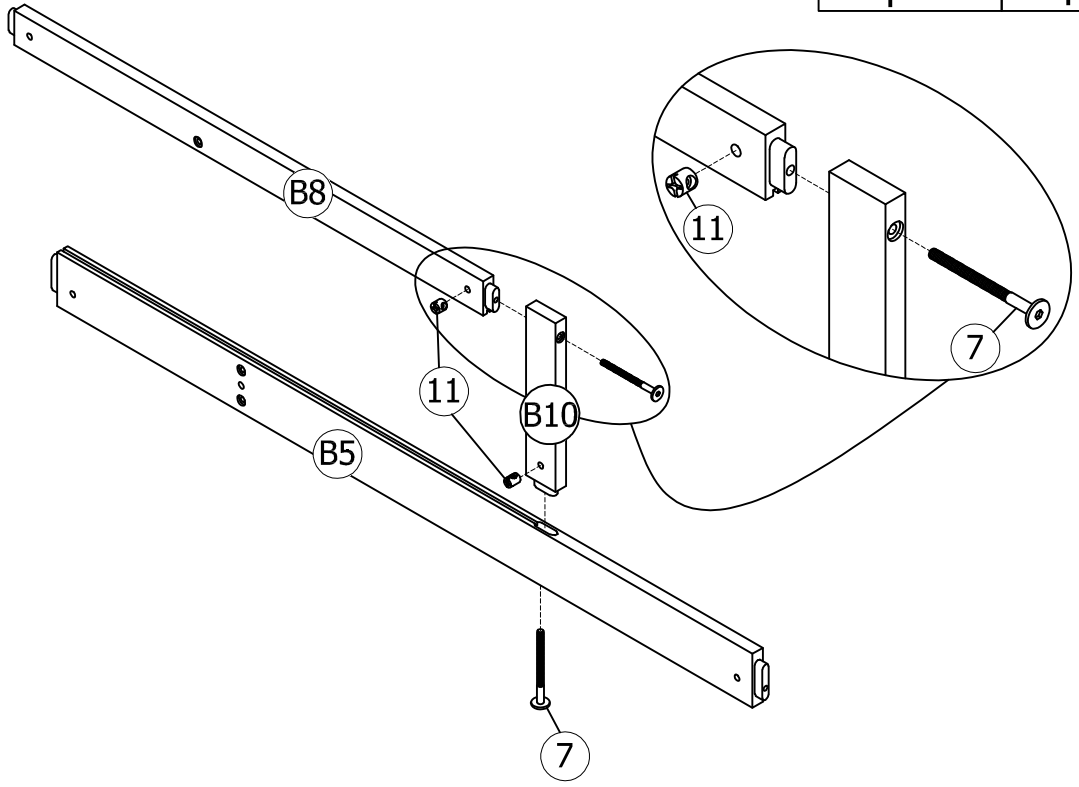
Center Leg-1pc

Hardware List

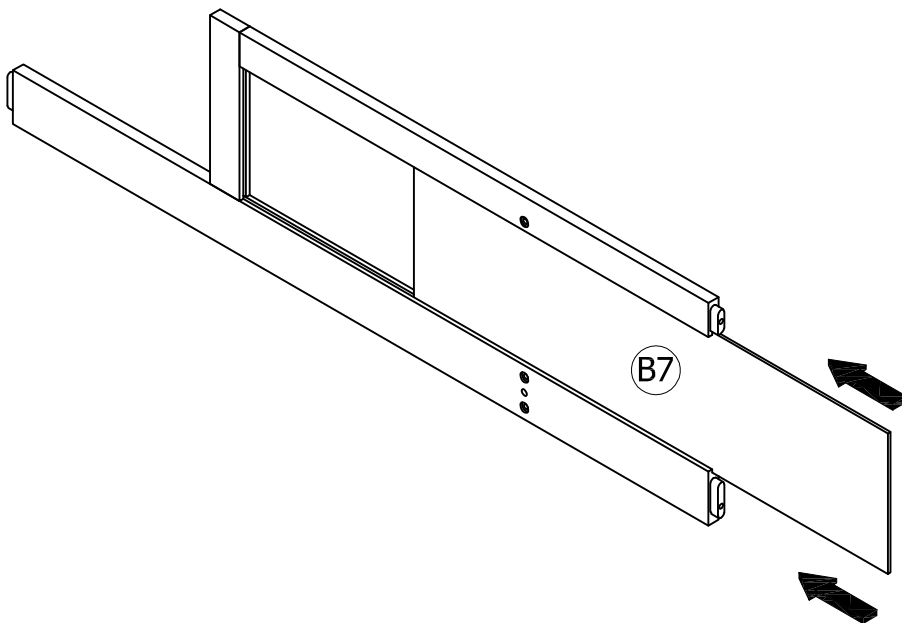
<p>1</p>  <p>Screws 1/4" x30 32pcs</p>	<p>2</p>  <p>Screws 1/4" x40 2pcs</p>	<p>3</p>  <p>Screws 1/4" x50 28pcs</p>
<p>4</p>  <p>Ø1/4" x 30 mm Hex-Head bolts 7pcs</p>	<p>5</p>  <p>Ø1/4" x 60 mm Hex-Head bolts 12pcs</p>	<p>6</p>  <p>Ø1/4" x 80 mm Hex-Head bolts 26pcs</p>
<p>7</p>  <p>Ø1/4" x 100 mm Hex-Head bolts 17pcs</p>	<p>8</p>  <p>Ø6 x 30 mm Wood dowel 12pcs</p>	<p>9</p>  <p>Ø8 x 30 mm Wood dowel 40pcs</p>
<p>10</p>  <p>Ø10 x 40 mm Wood dowel 14pcs</p>	<p>11</p>  <p>Ø1/4" x 13 mm Horizontal-Hole bolts 55pcs</p>	<p>12</p>  <p>M3 x 12 mm Wood Screws 22pcs</p>
<p>13</p>  <p>M3 x 15 mm Wood Screws 32pcs</p>	<p>14</p>  <p>M4 x 15 mm Wood Screws 20pcs</p>	<p>15</p>  <p>M4 x 30 mm Wood Screws 84pcs</p>
<p>16</p>  <p>Door Catches 45x17x13 6pcs</p>	<p>17</p>  <p>Steel Bracket 2pcs</p>	<p>18</p>  <p>Stop Drawers 4pcs</p>
<p>19</p>  <p>Wheels 8pcs</p>	<p>20</p>  <p>Allen Key 1pc</p>	 <p>Assembly Tools Required (Not Included)</p>

STEP 1: Following below illustration :

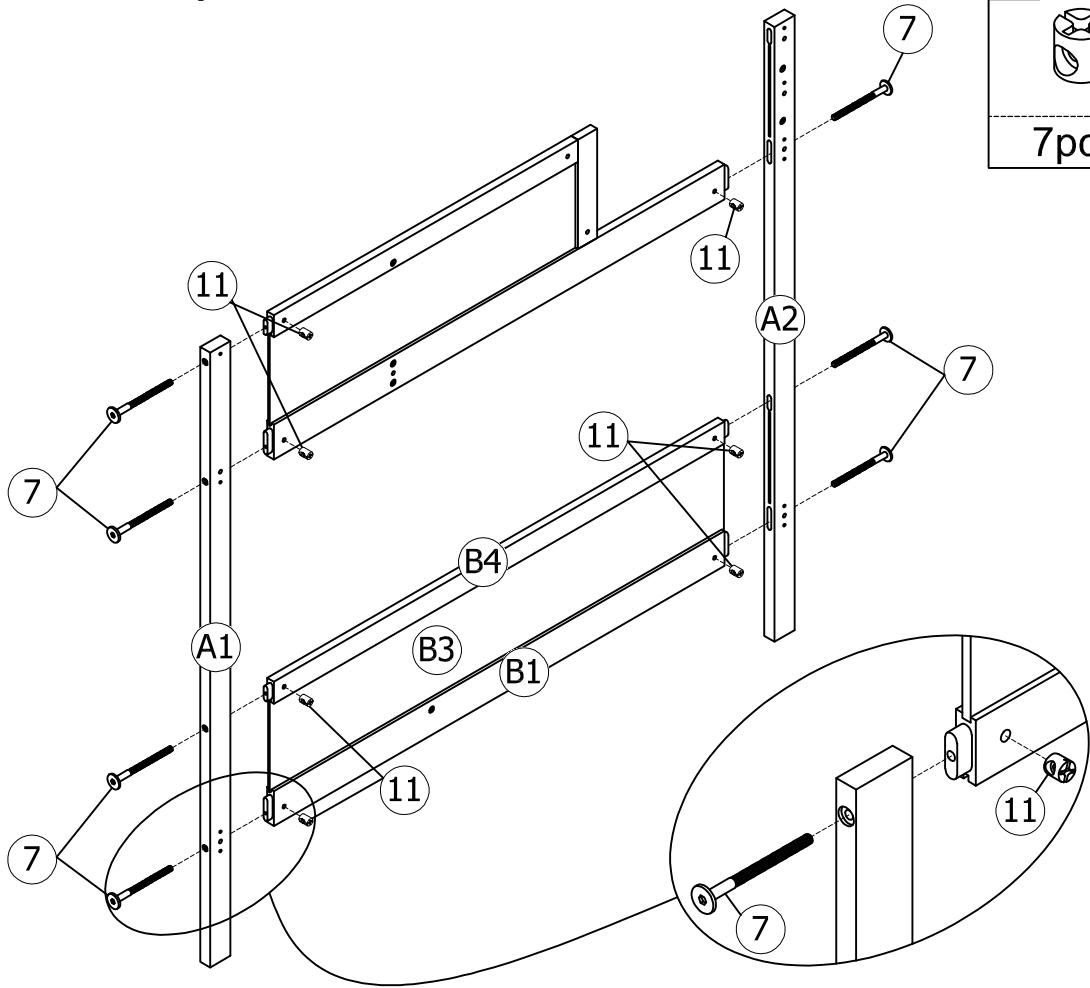
11	7
	
2pcs	2pcs


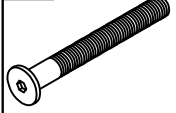


STEP 2: Following below illustration :

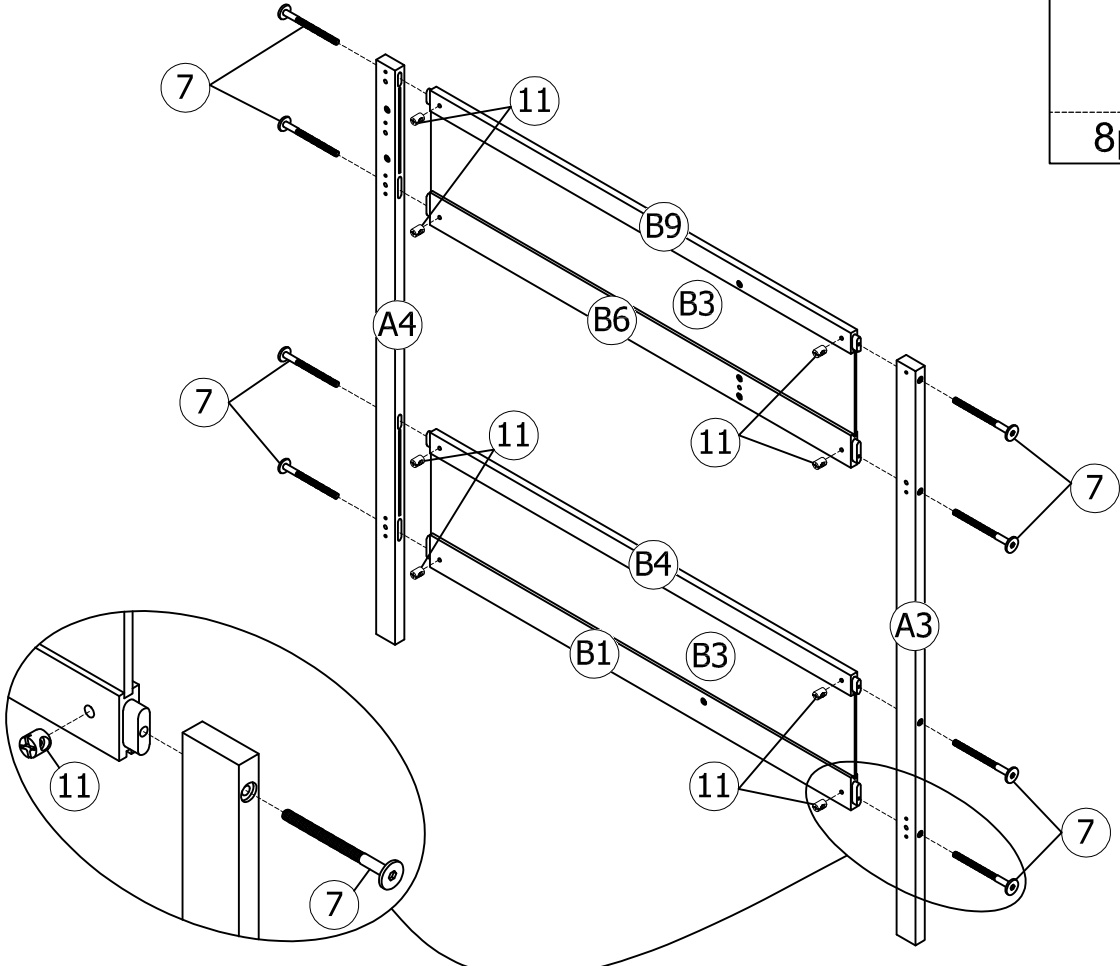



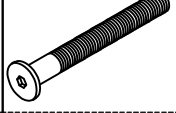
STEP 3: Following below illustration :



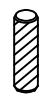

11 	7 
7pcs	7pcs

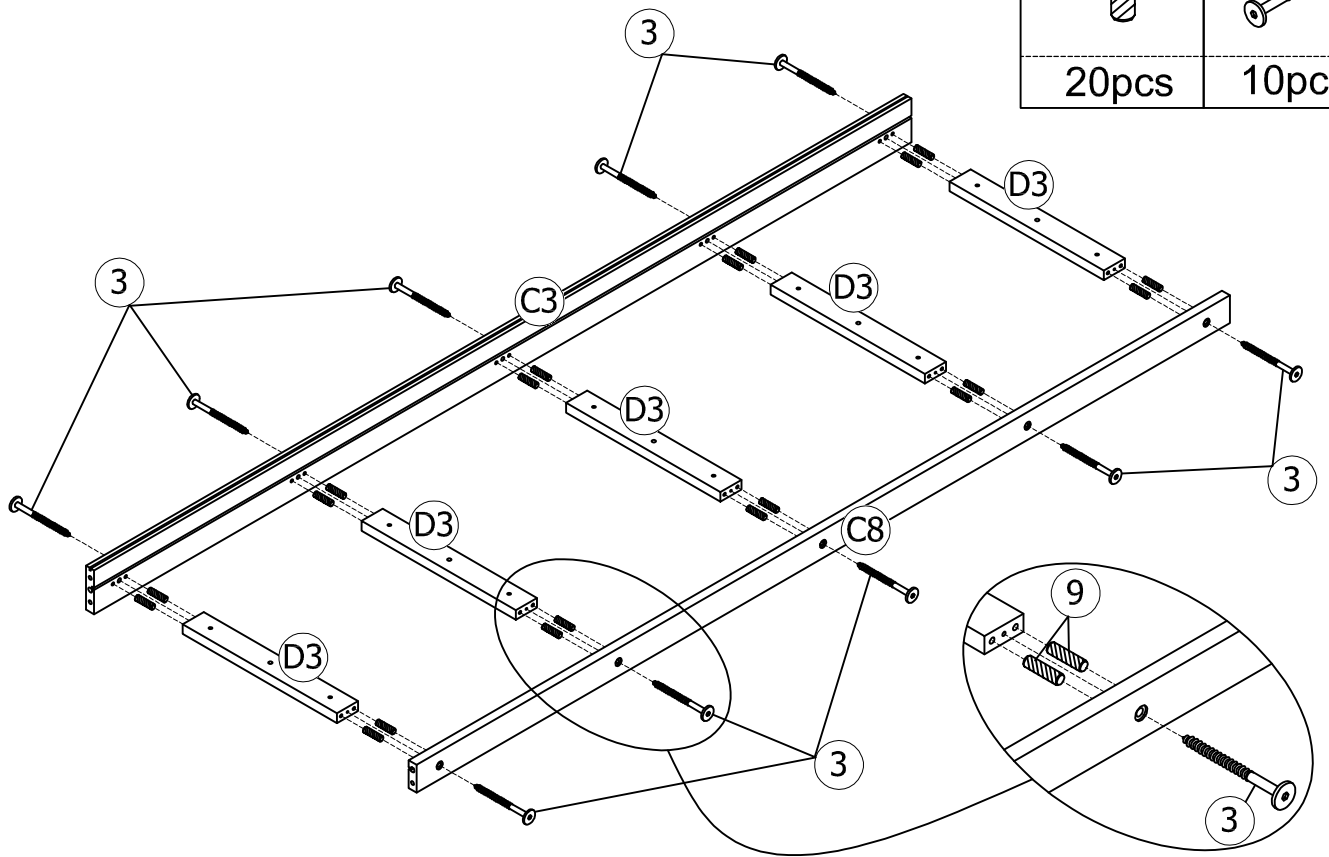
STEP 4: Following below illustration :



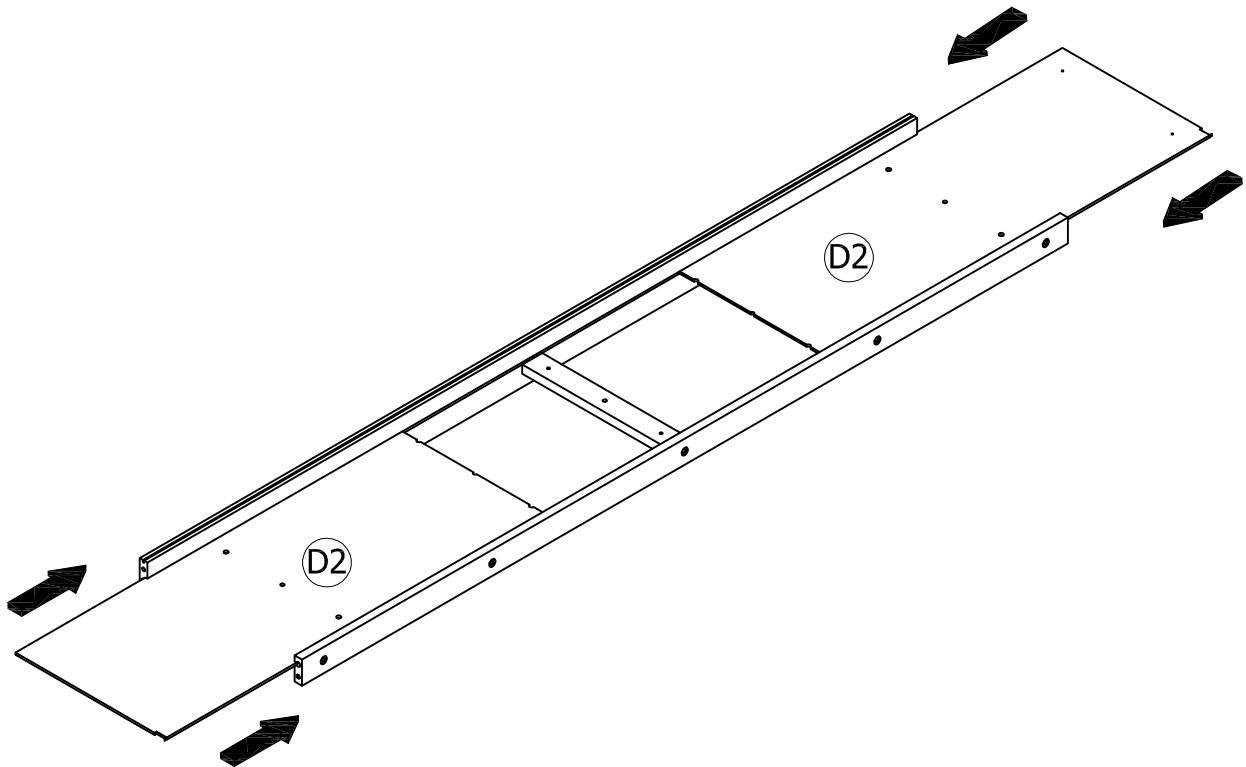
11 	7 
8pcs	8pcs

STEP 5: Following below illustration :

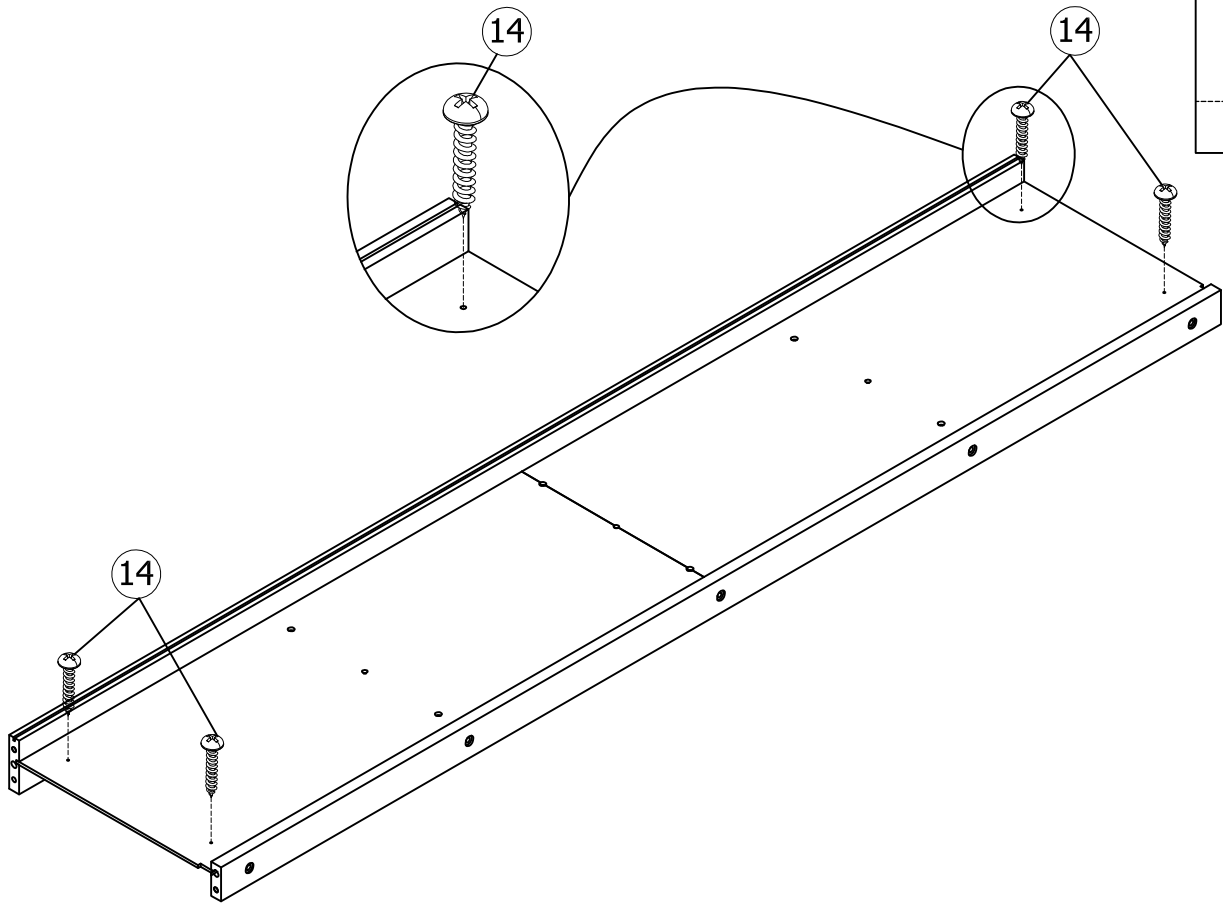
9		3	
20pcs		10pcs	



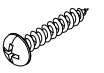
STEP 6: Following below illustration :



STEP 7: Following below illustration .:

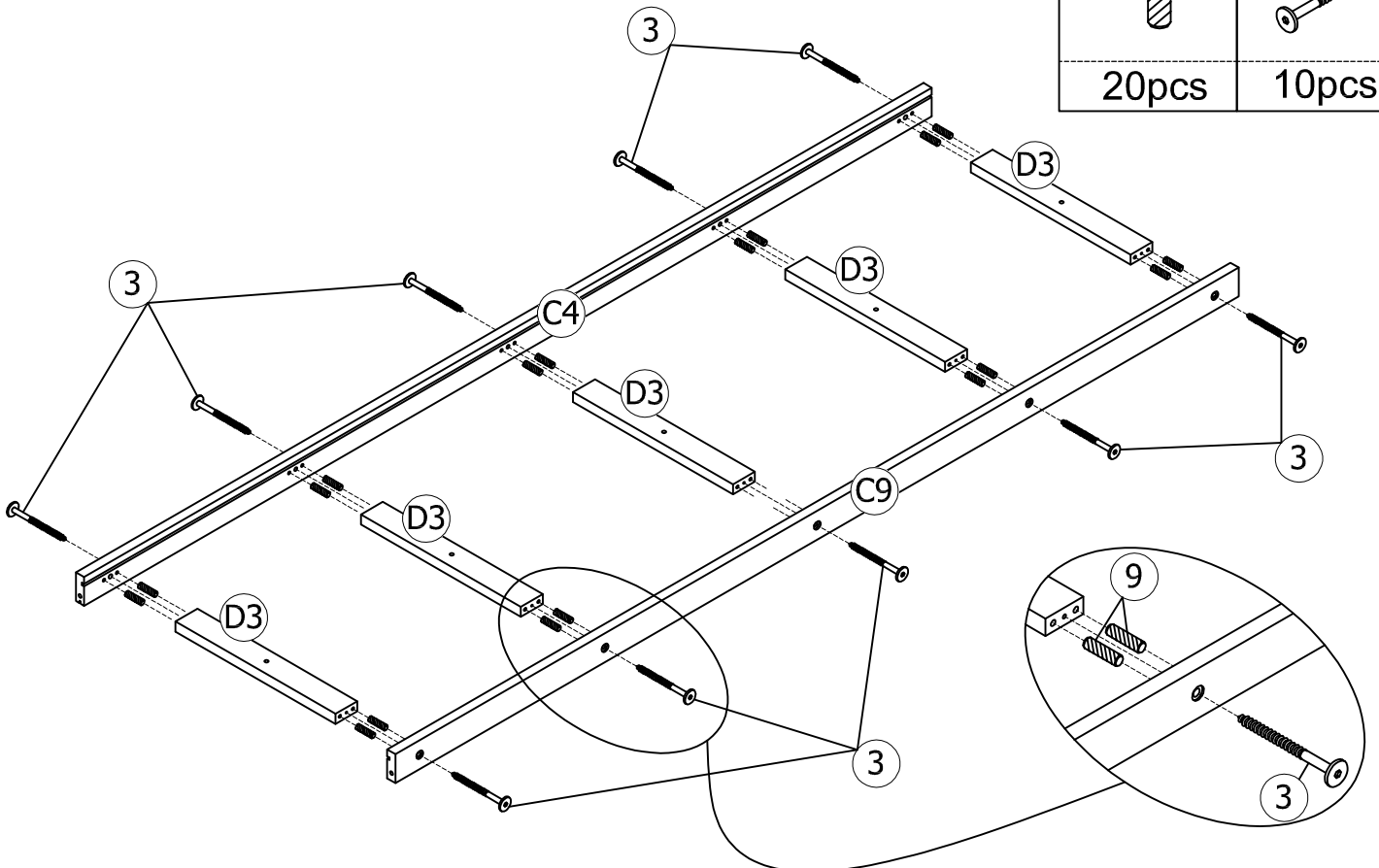


14

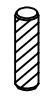


4pcs

STEP 8: Following below illustration .:



9



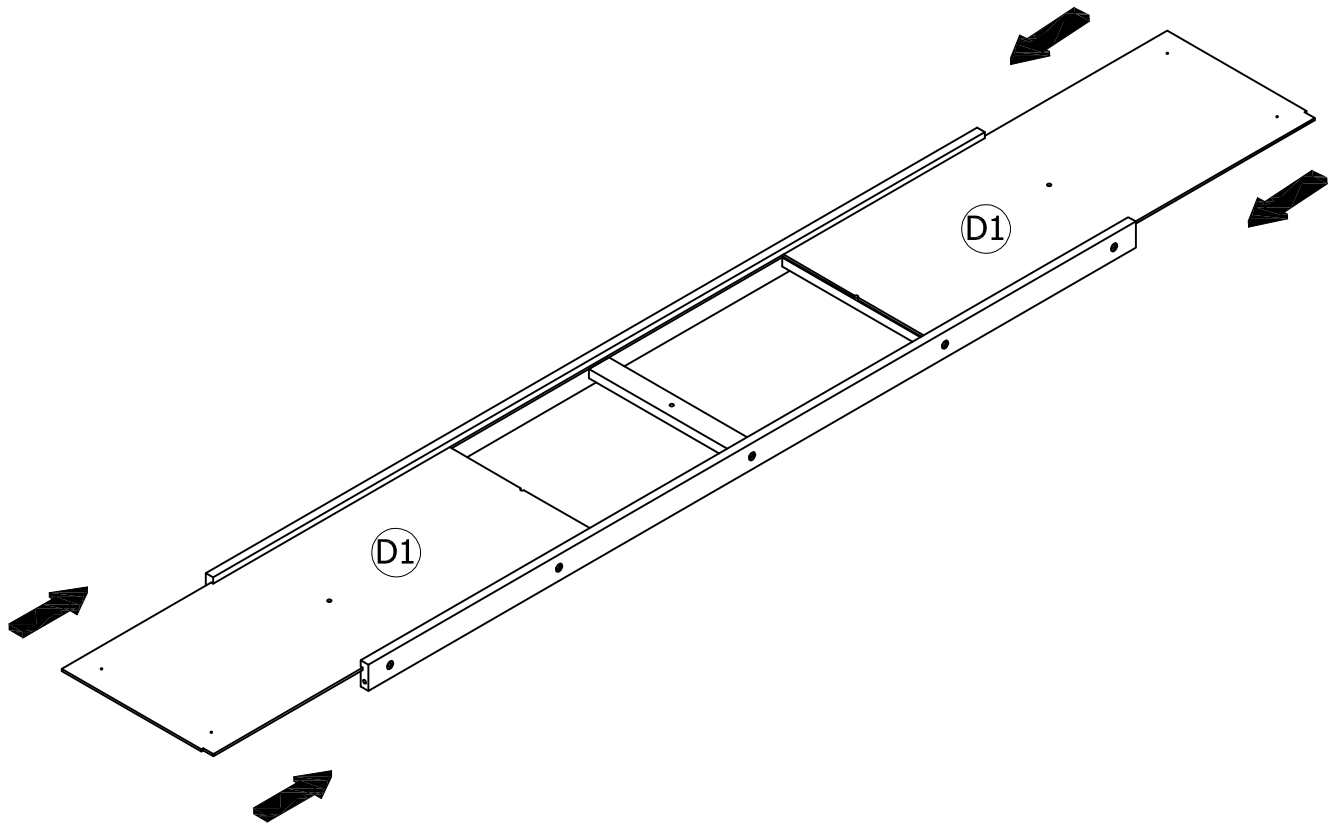
20pcs

3

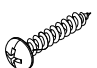


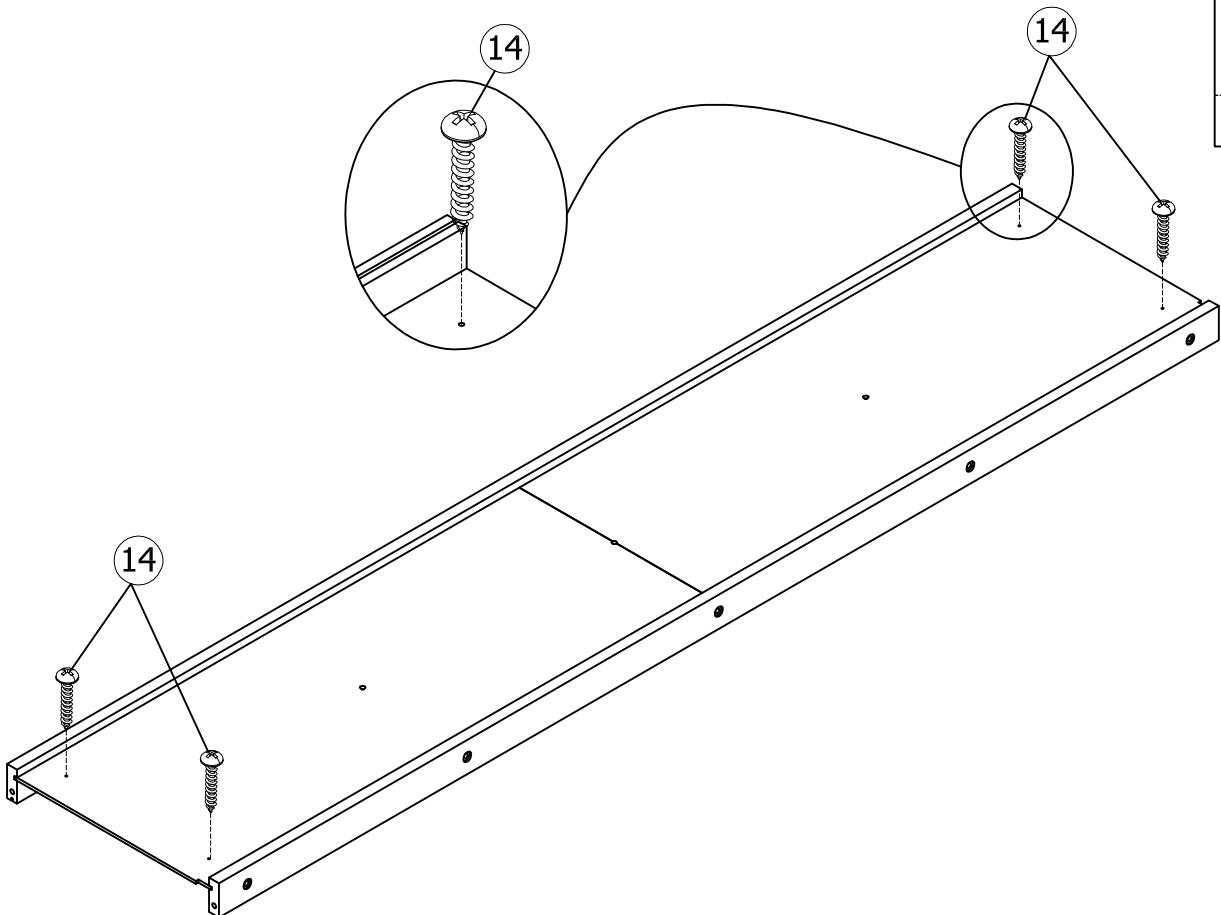
10pcs

STEP 9: Following below illustration .:



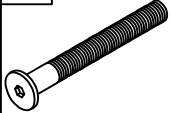


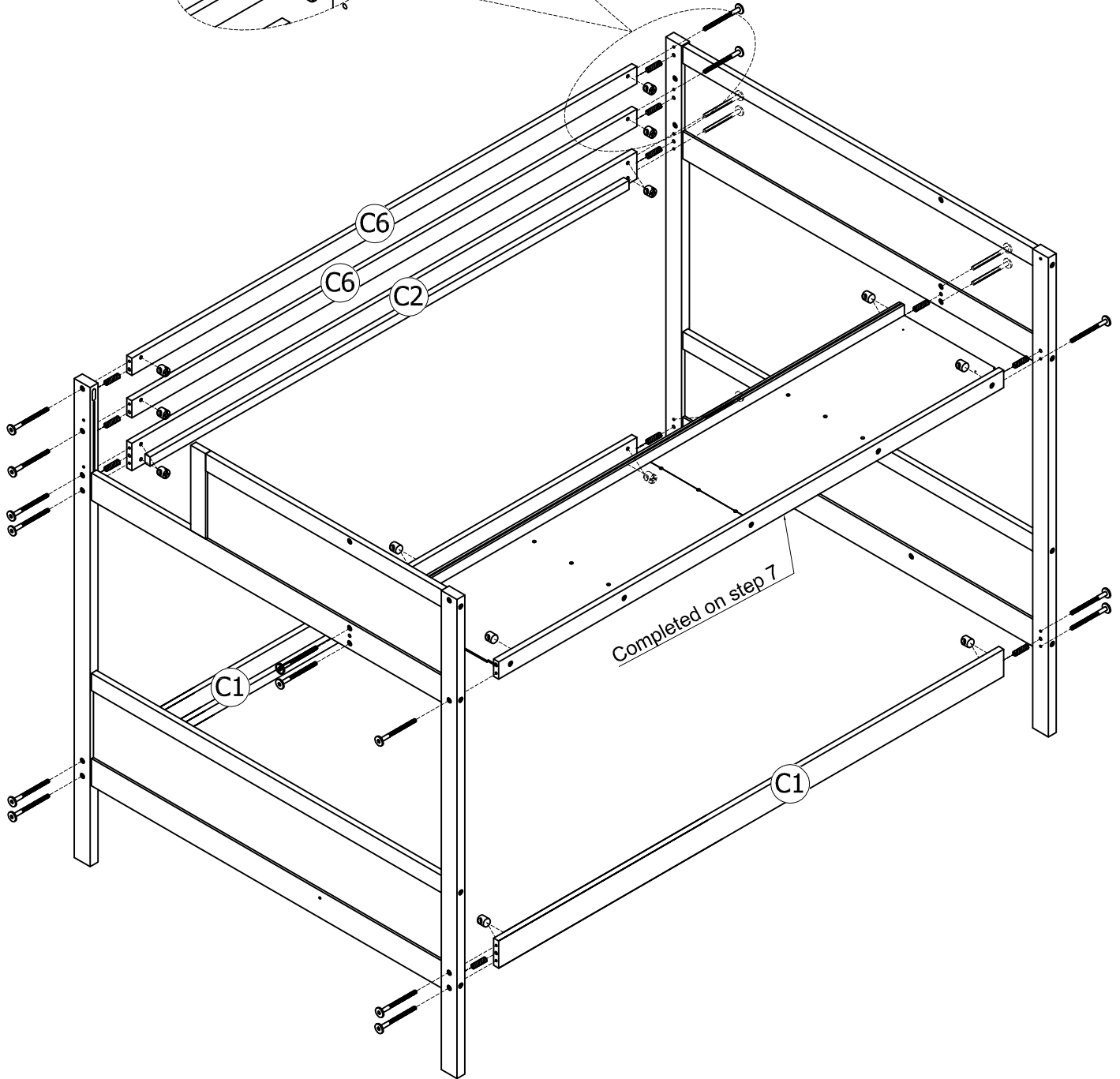
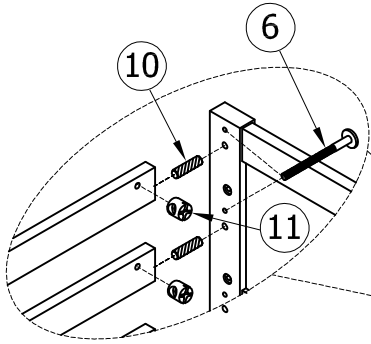
STEP 10: Following below illustration .:

14

4pcs



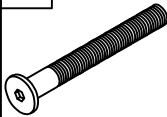


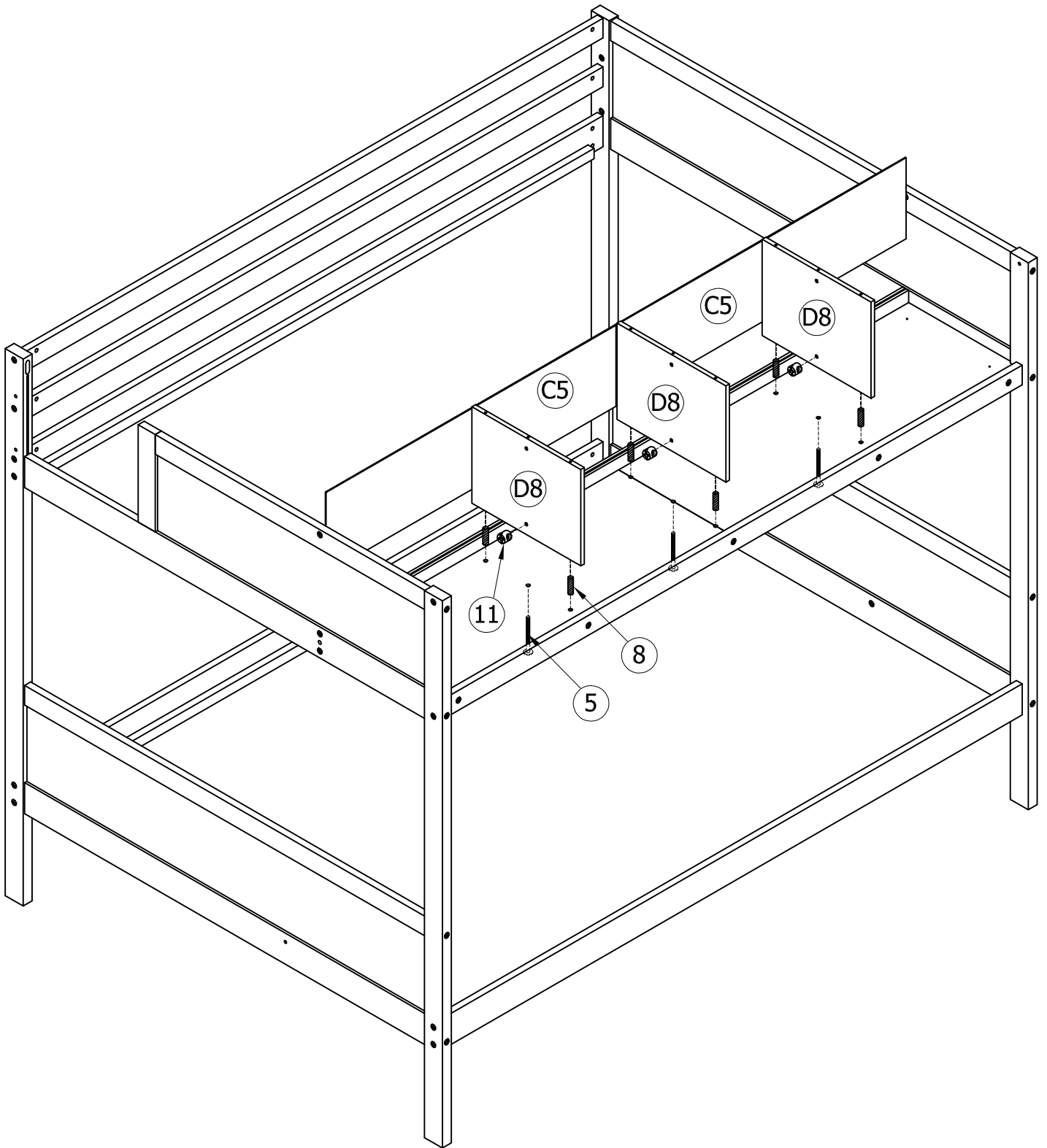
STEP 11: Following below illustration .:

11		10		6	
	22pcs		14pcs		22pcs

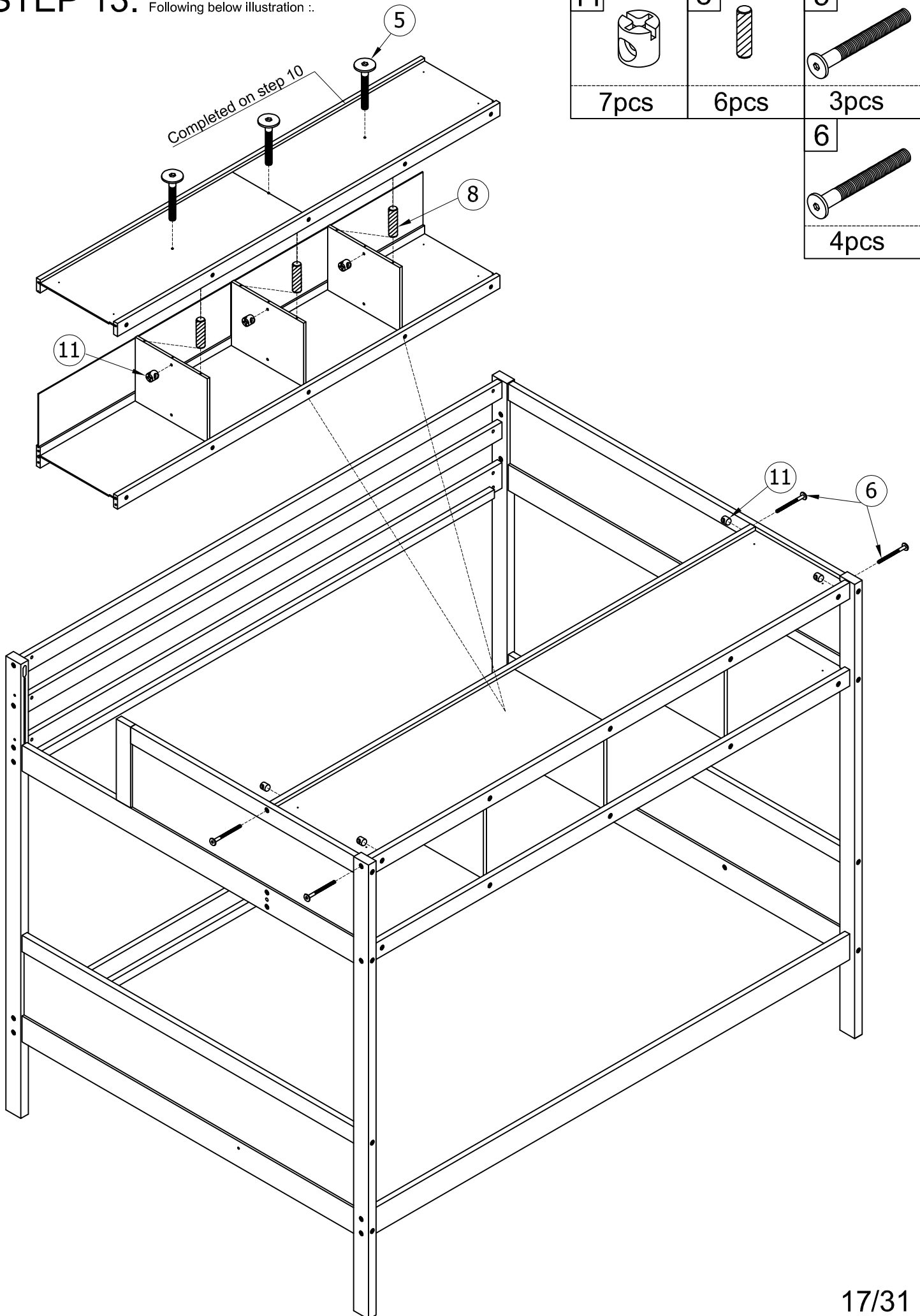


STEP 12: Following below illustration ..

11		8		5	
3pcs		6pcs		3pcs	

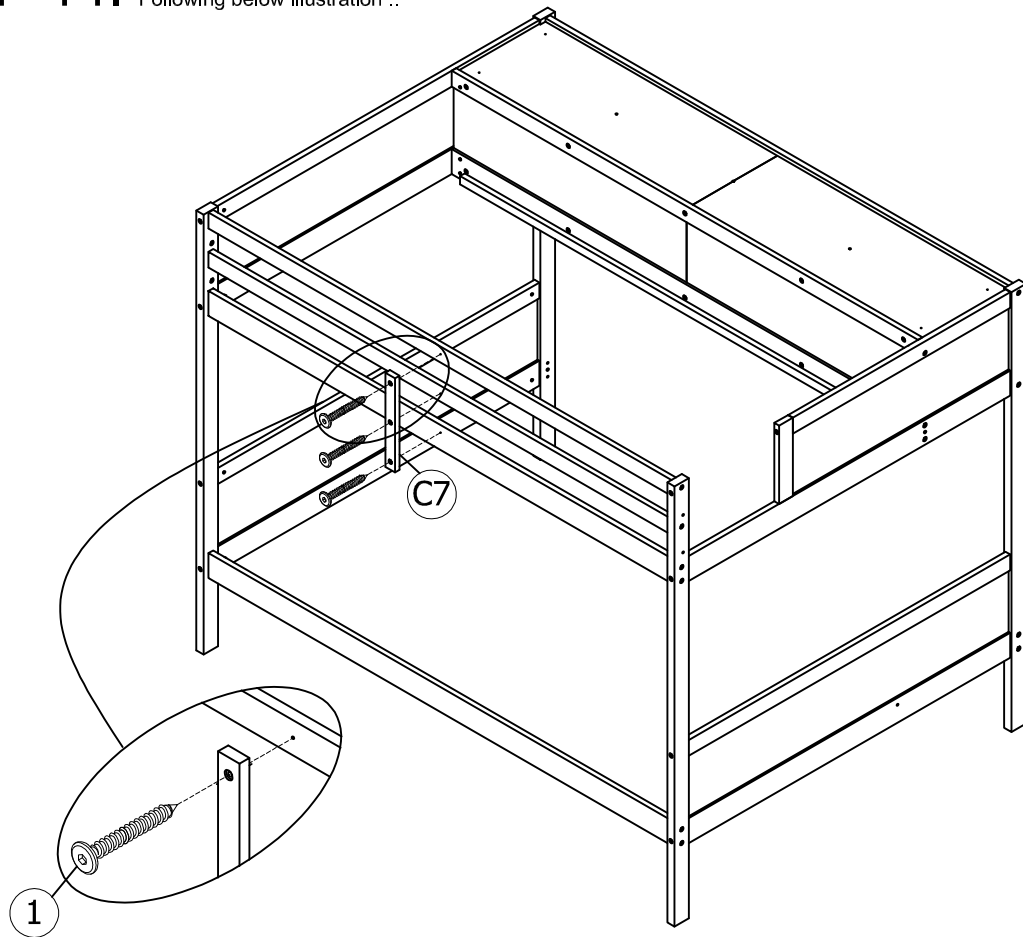


STEP 13: Following below illustration ..



STEP 14:

Following below illustration :



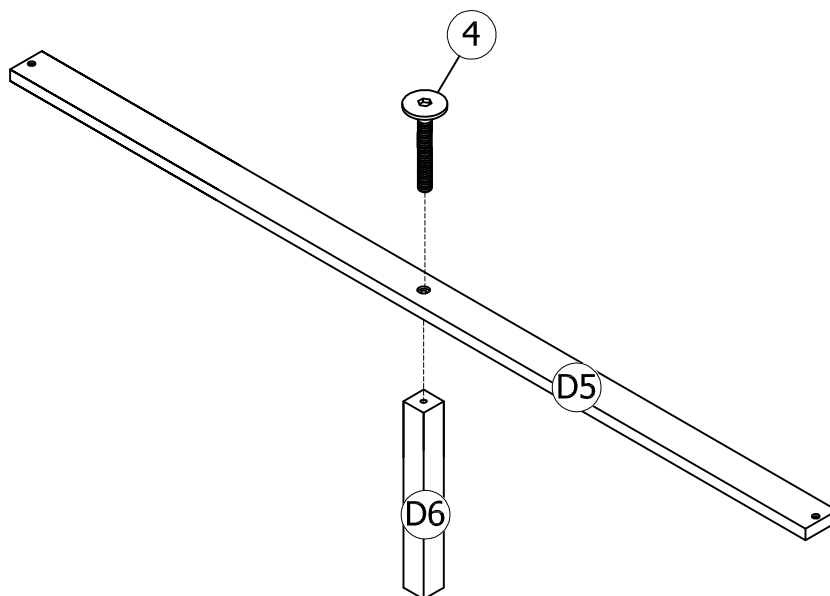
1



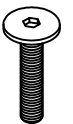
3pcs

STEP 15 x 2:

Following below illustration :



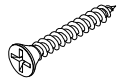
4



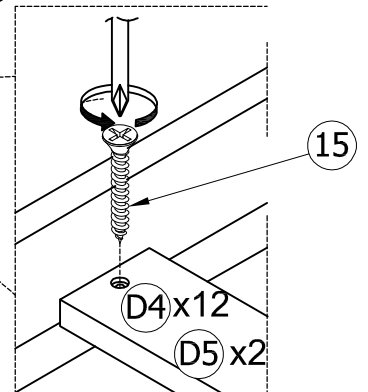
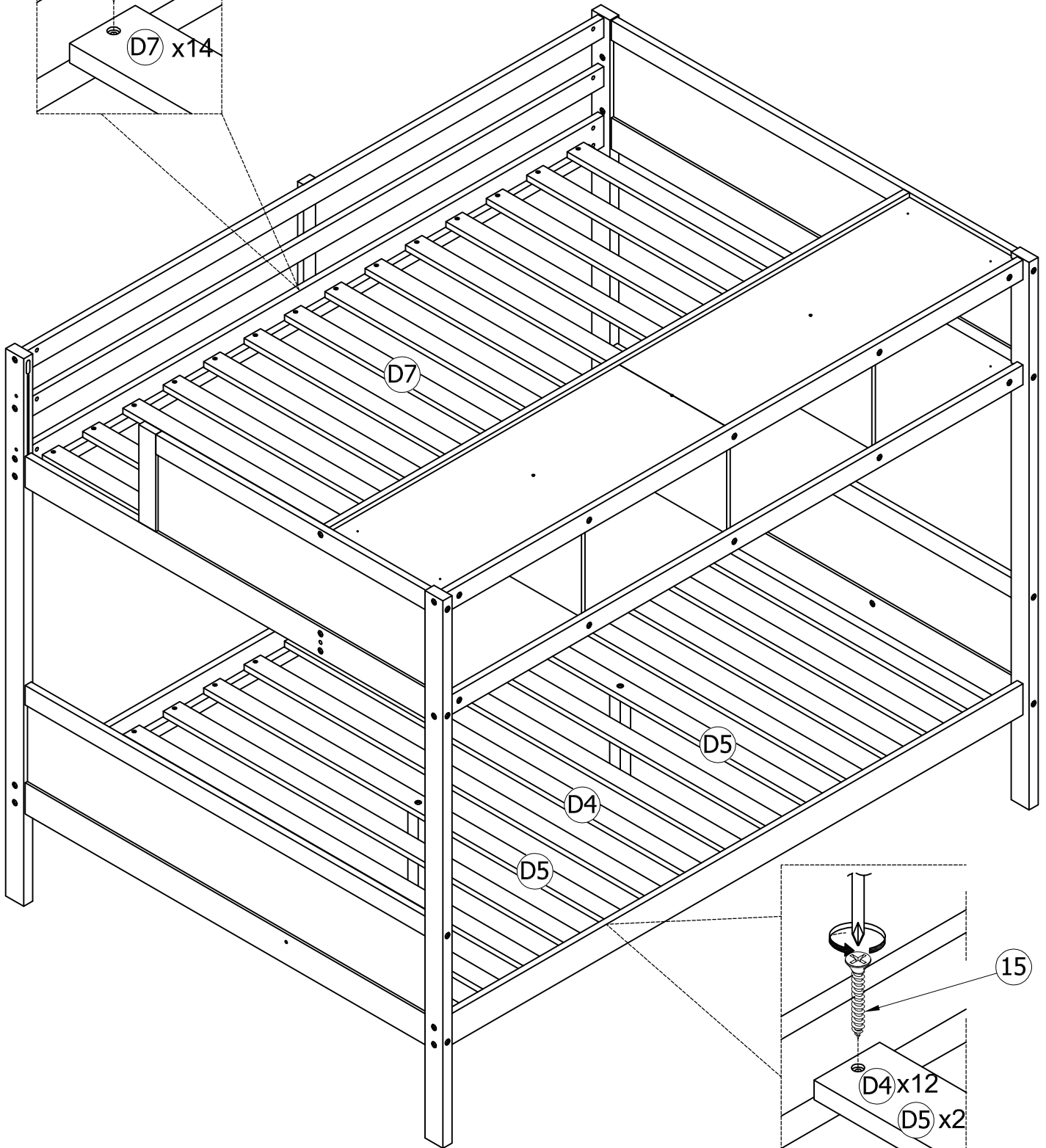
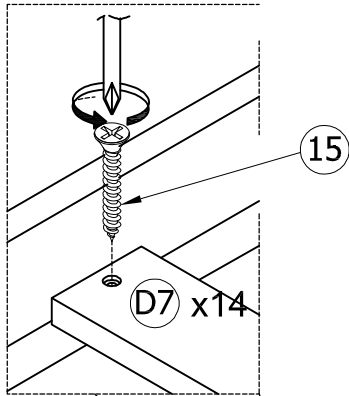
2pcs

STEP 16: Following below illustration :

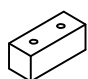
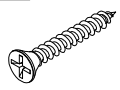
15

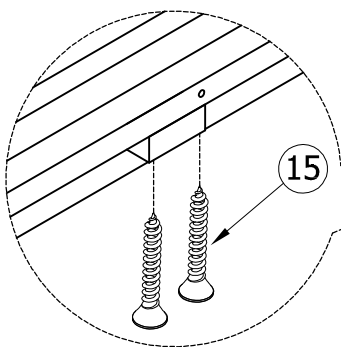
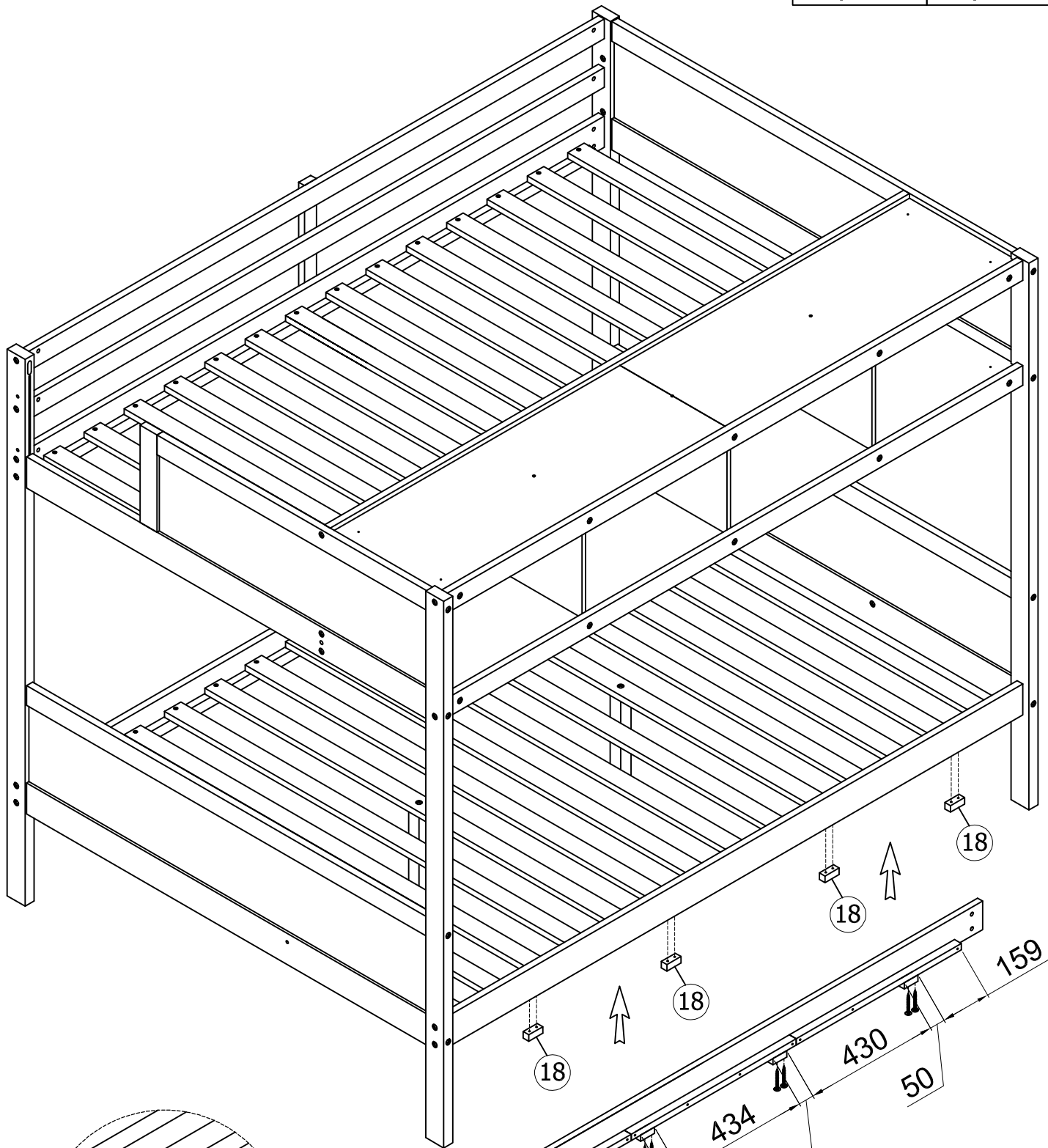


56pcs

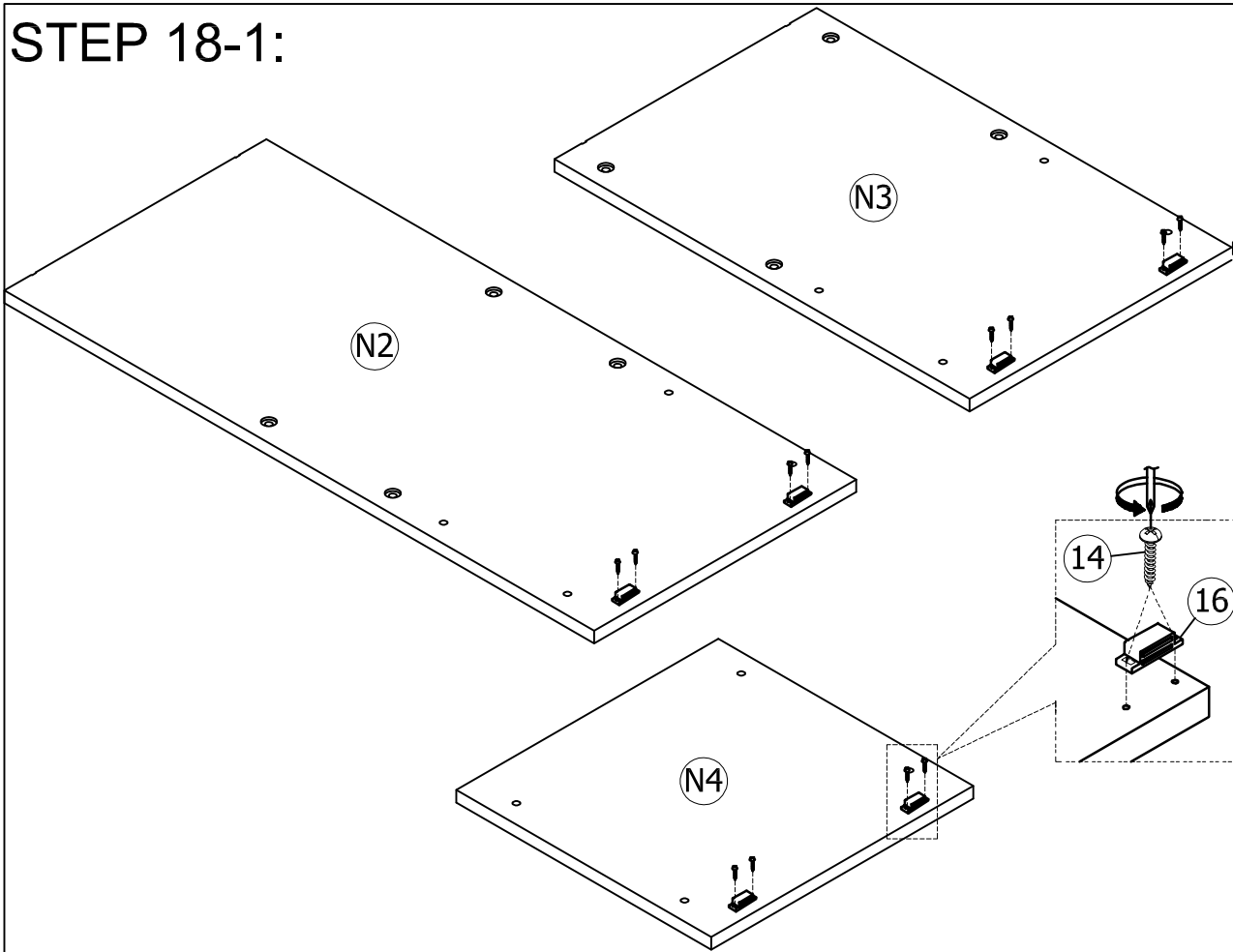


STEP 17: Following below illustration :

18	15
	
4pcs	8pcs



STEP 18-1:

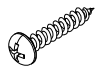


16

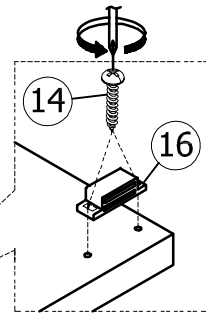


6pcs

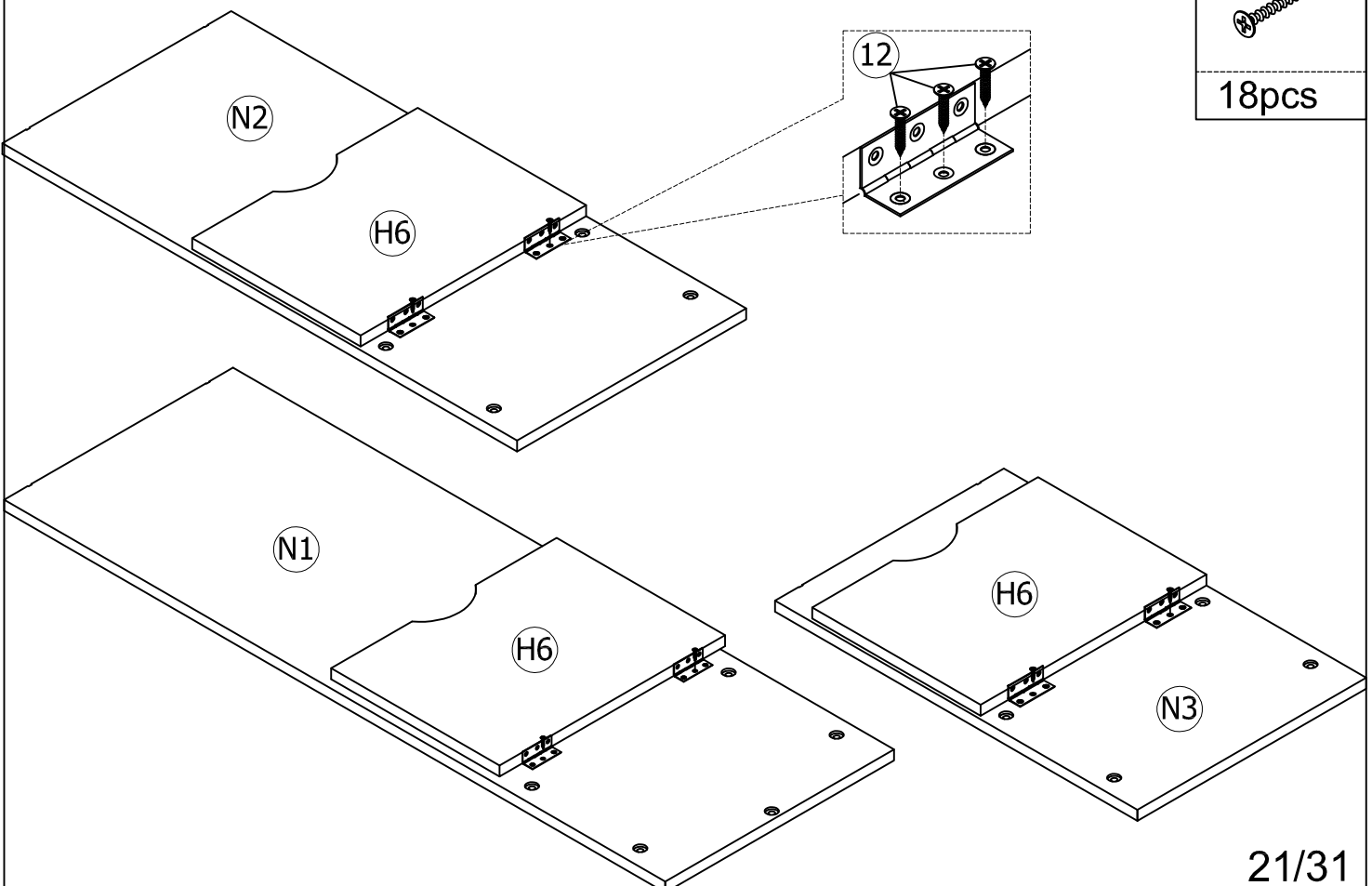
14



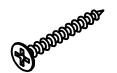
12pcs



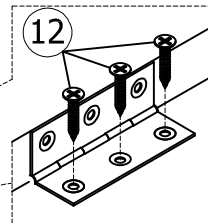
STEP 18-2:




12

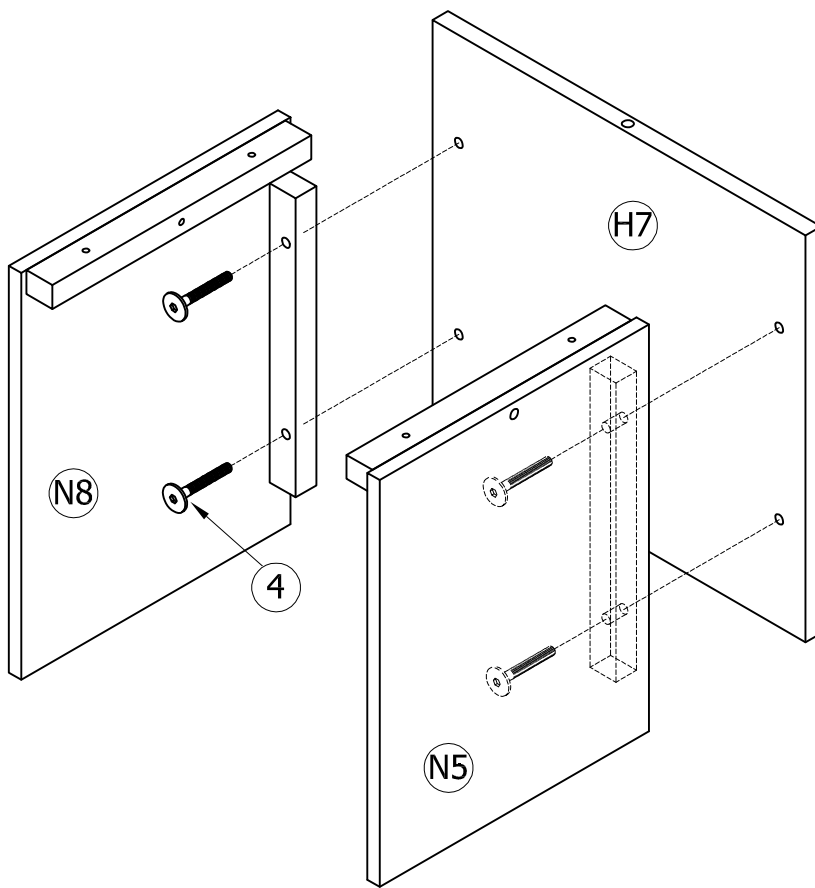


18pcs





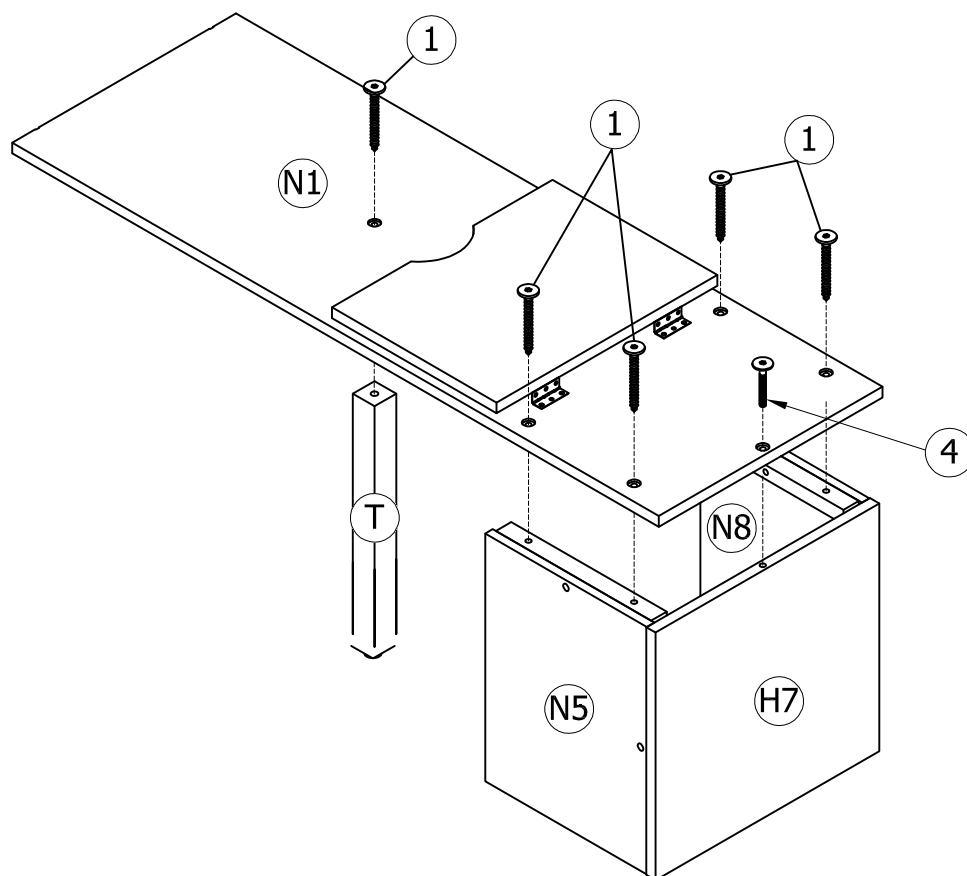
STEP 18-3:

4

4pcs

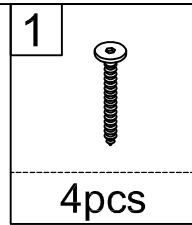
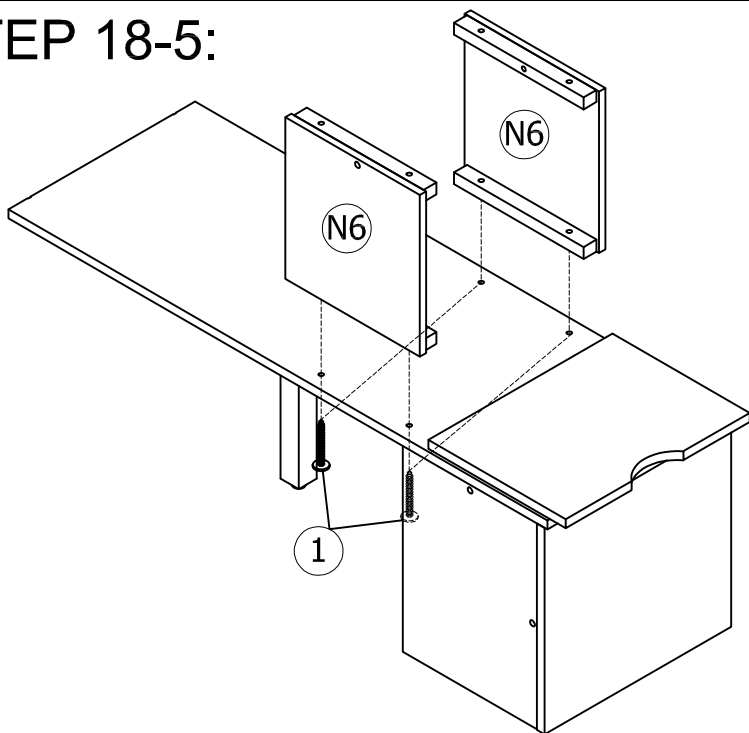


STEP 18-4:

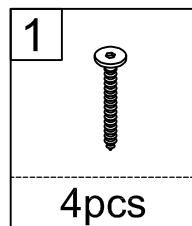
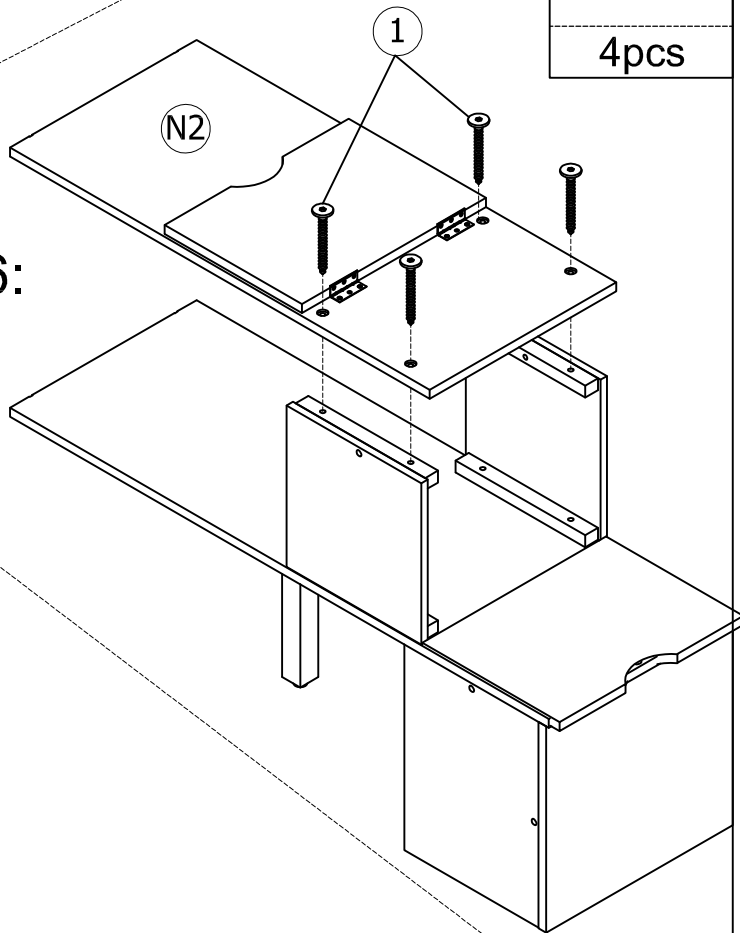
4

1pc
1

5pcs



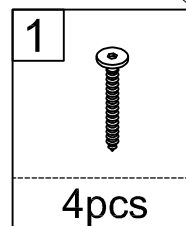
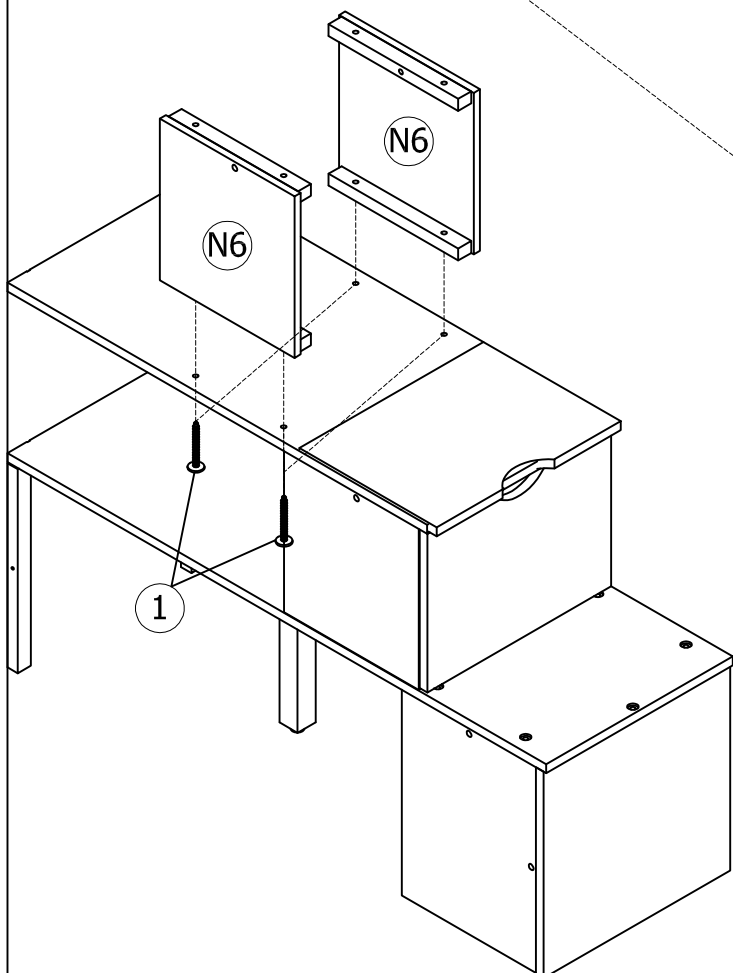
STEP 18-5:



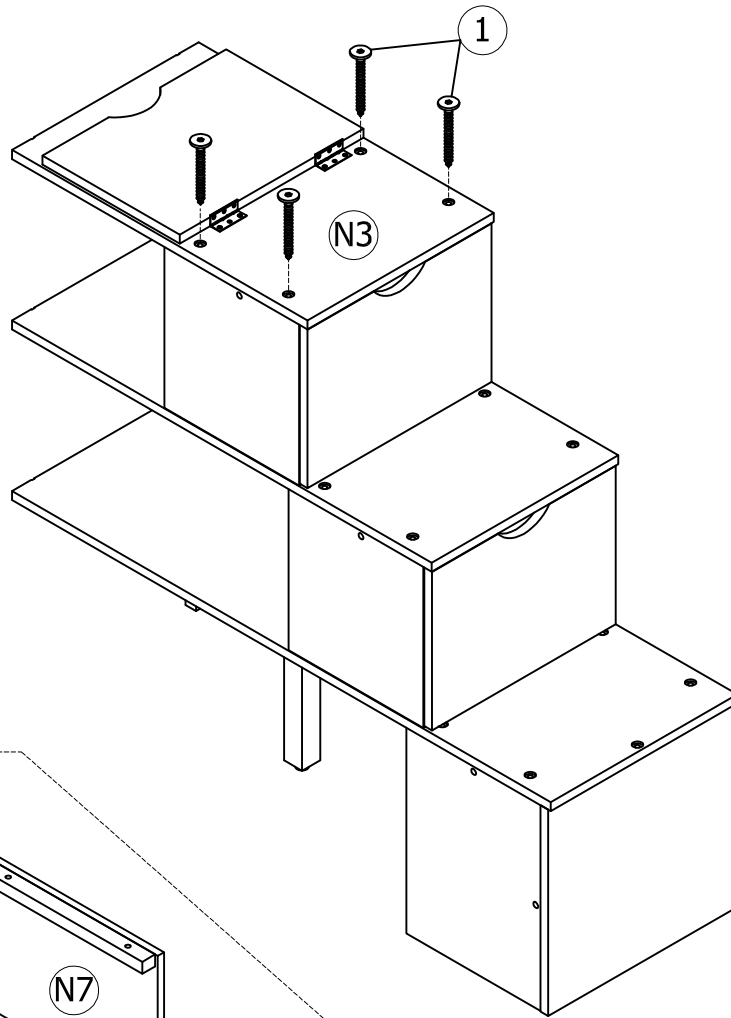
STEP 18-6:




STEP 18-7:

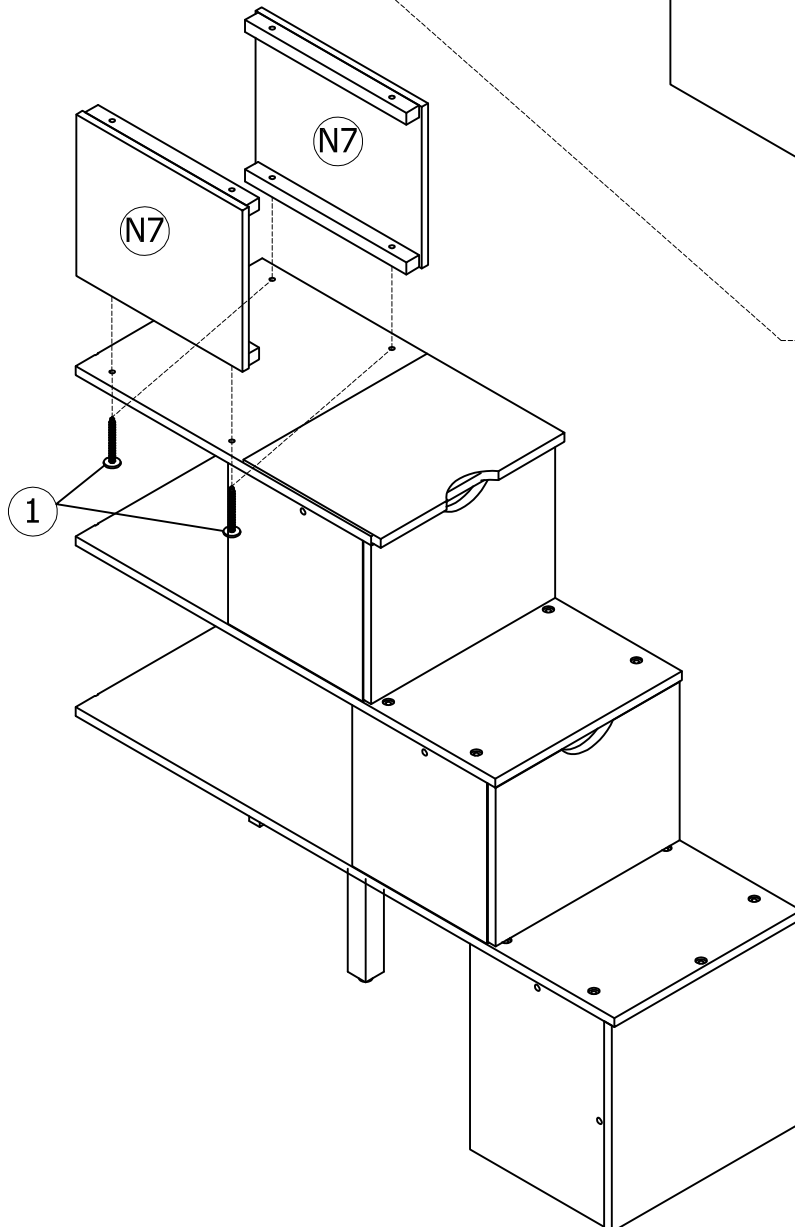



STEP 18-8:



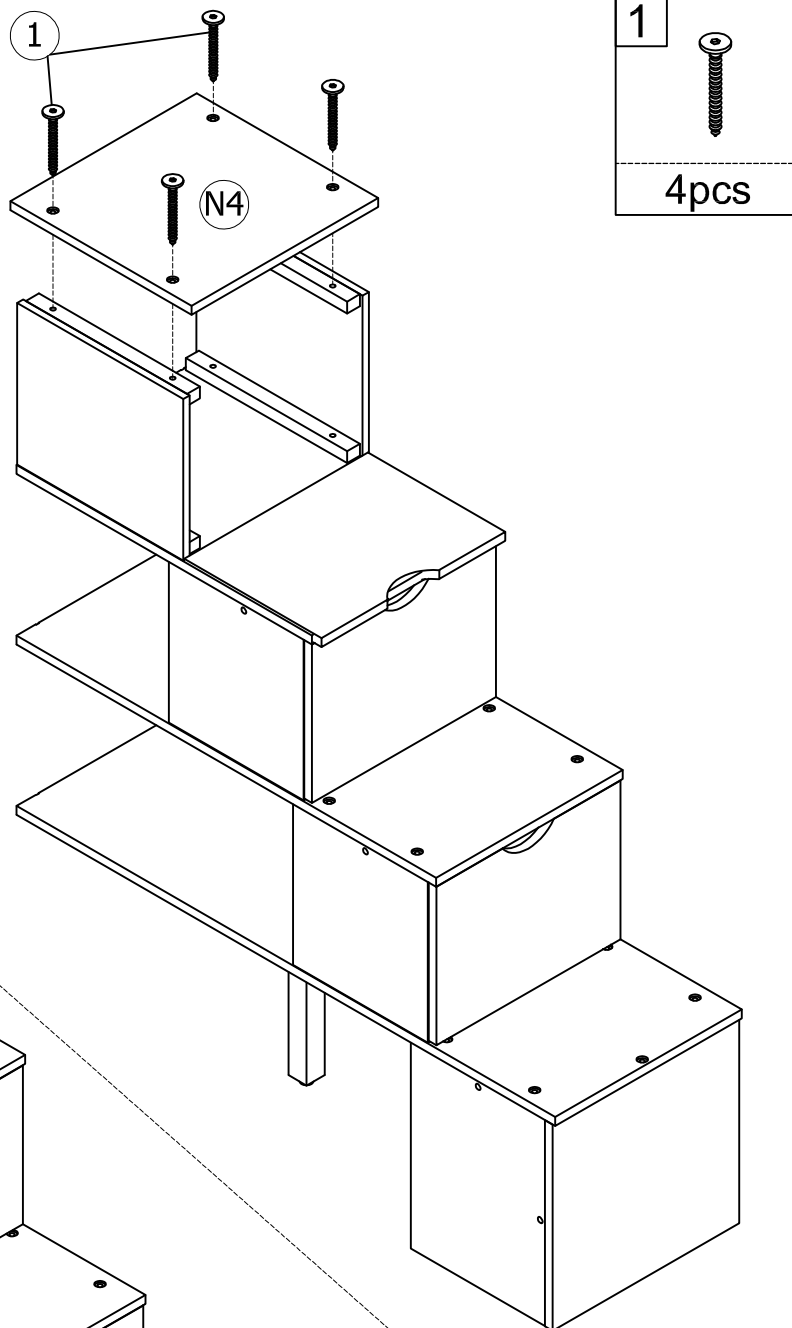
1

4pcs

STEP 18-9:

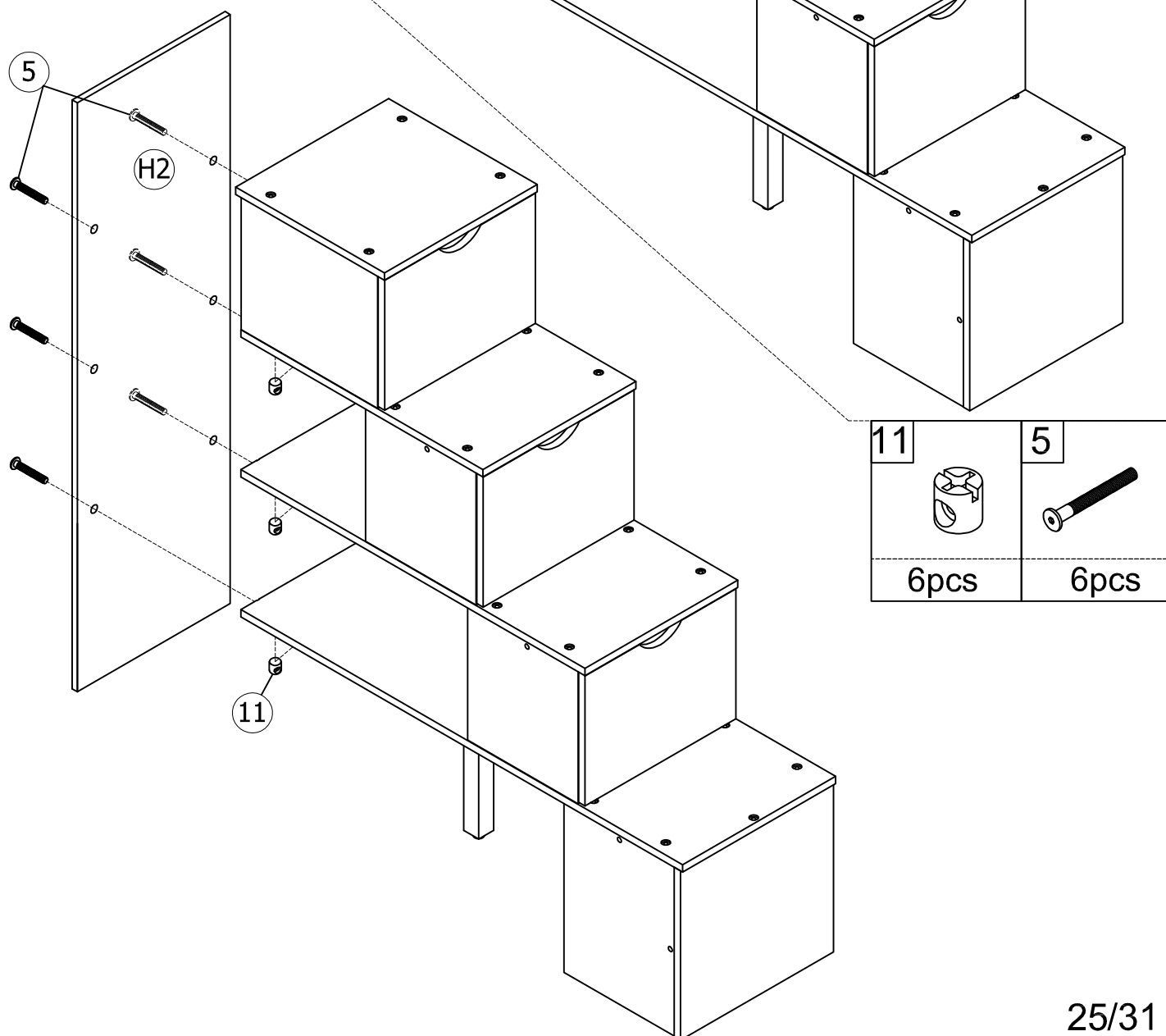


1

4pcs

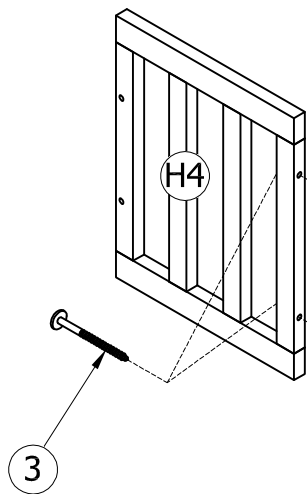
STEP 18-10:

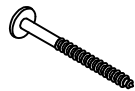


STEP 18-11:

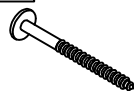


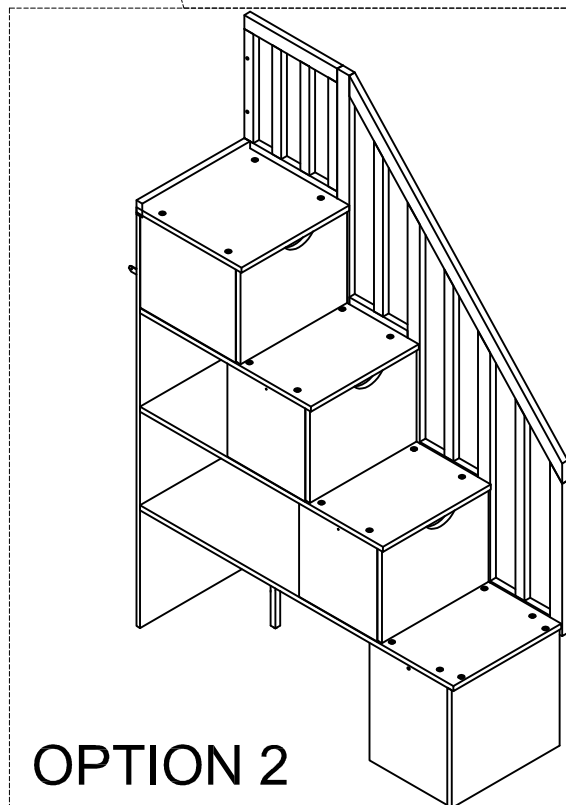
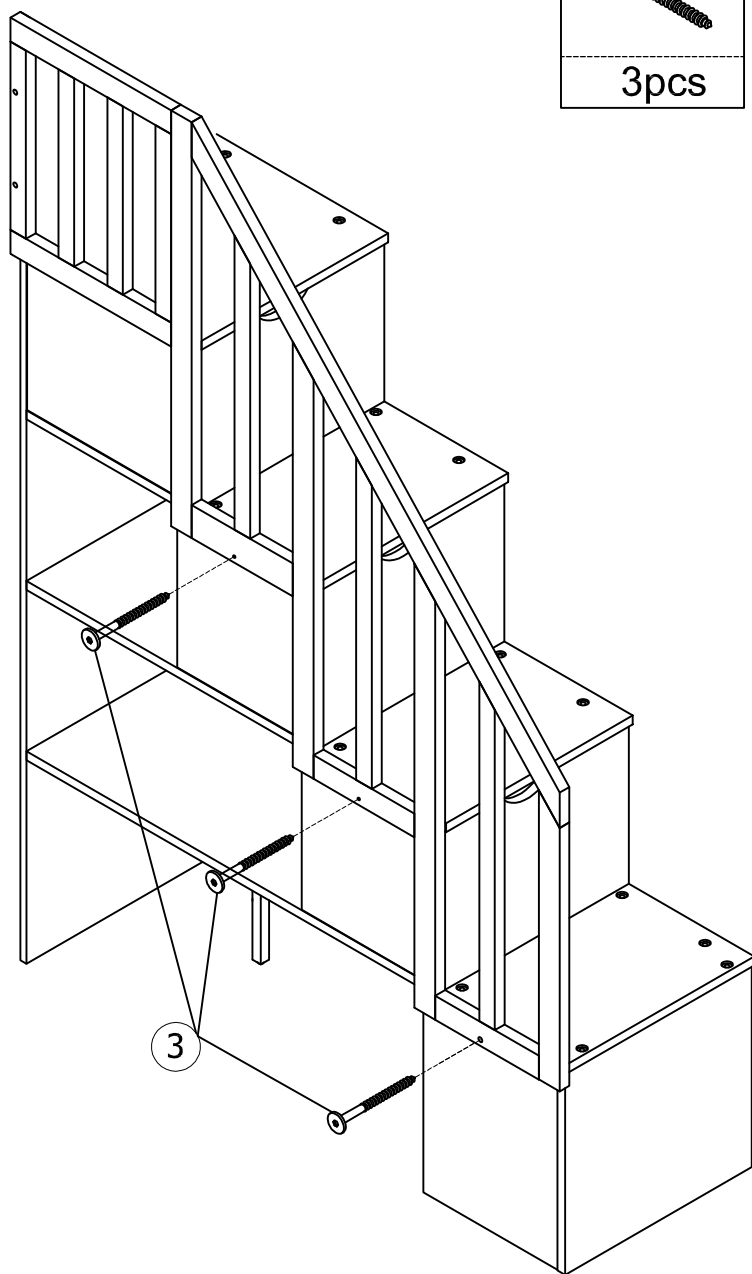
STEP 18-12:



3

2pcs



STEP 18-13:

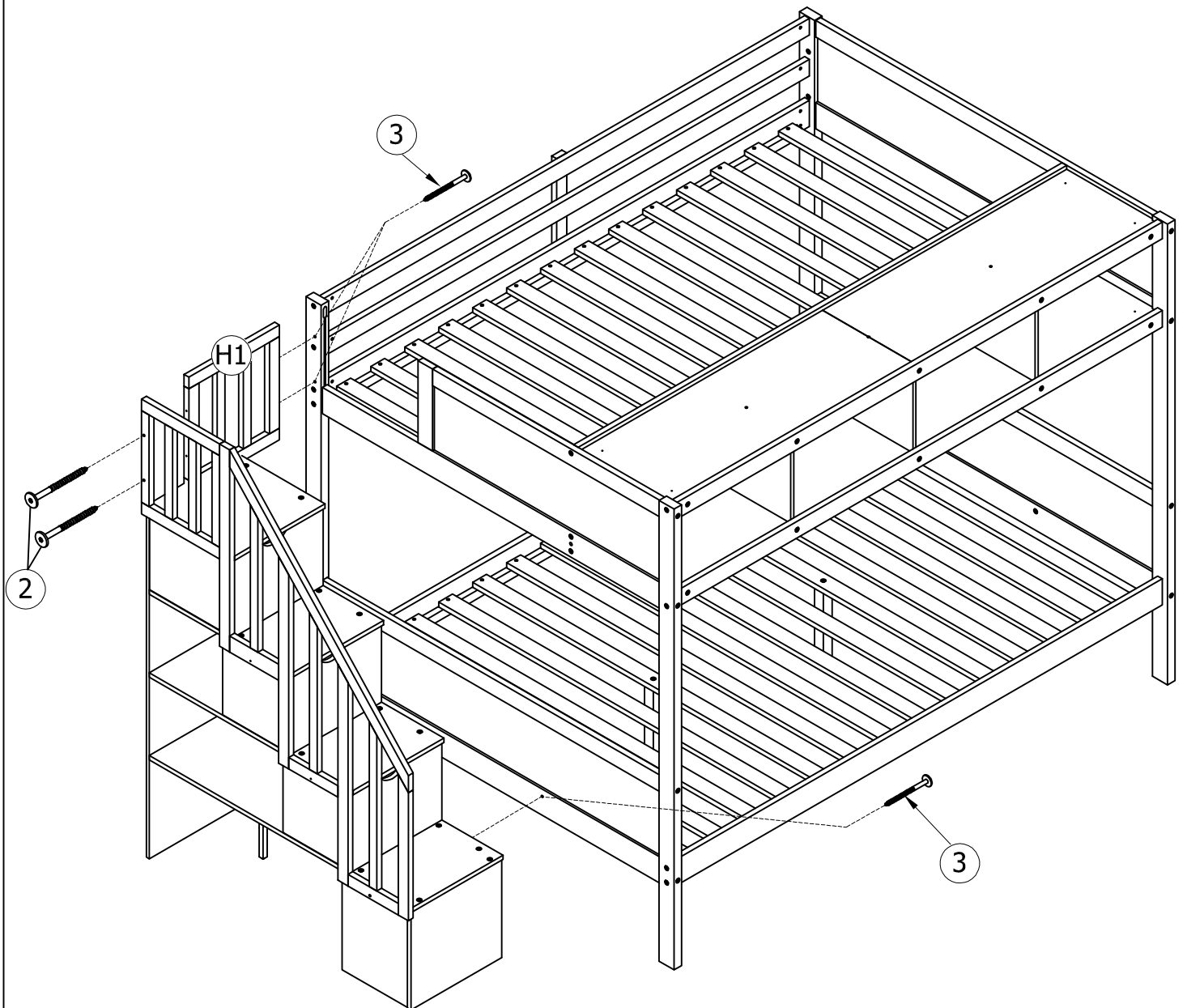
3

3pcs



OPTION 2

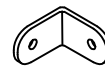
STEP 19: Following below illustration:

3	2
	
3pcs	2pcs



STEP 20: Following below illustration:

17

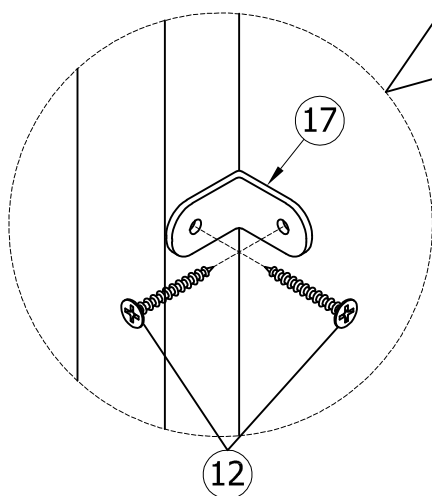
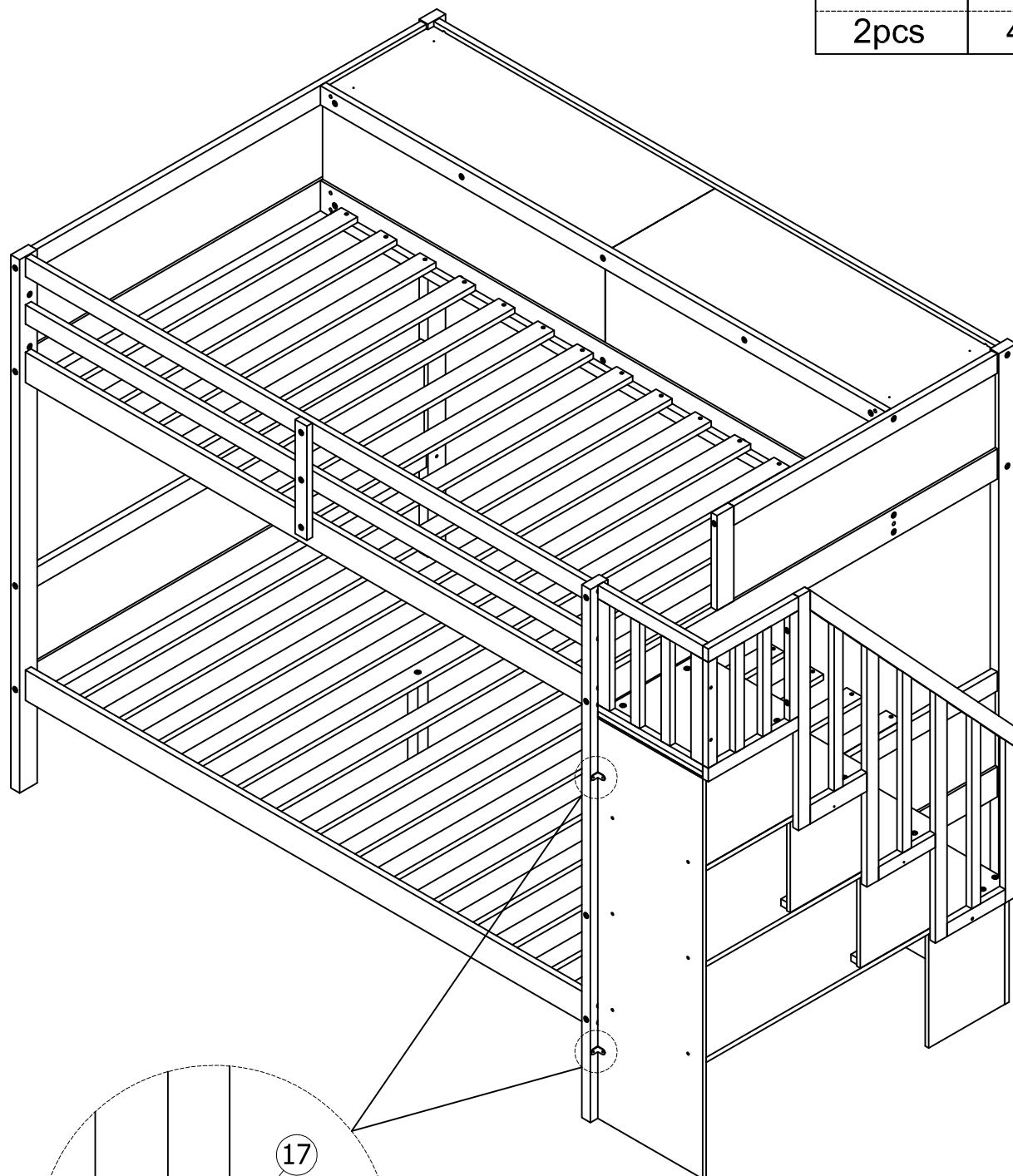


2pcs

12

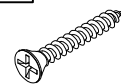


4pcs

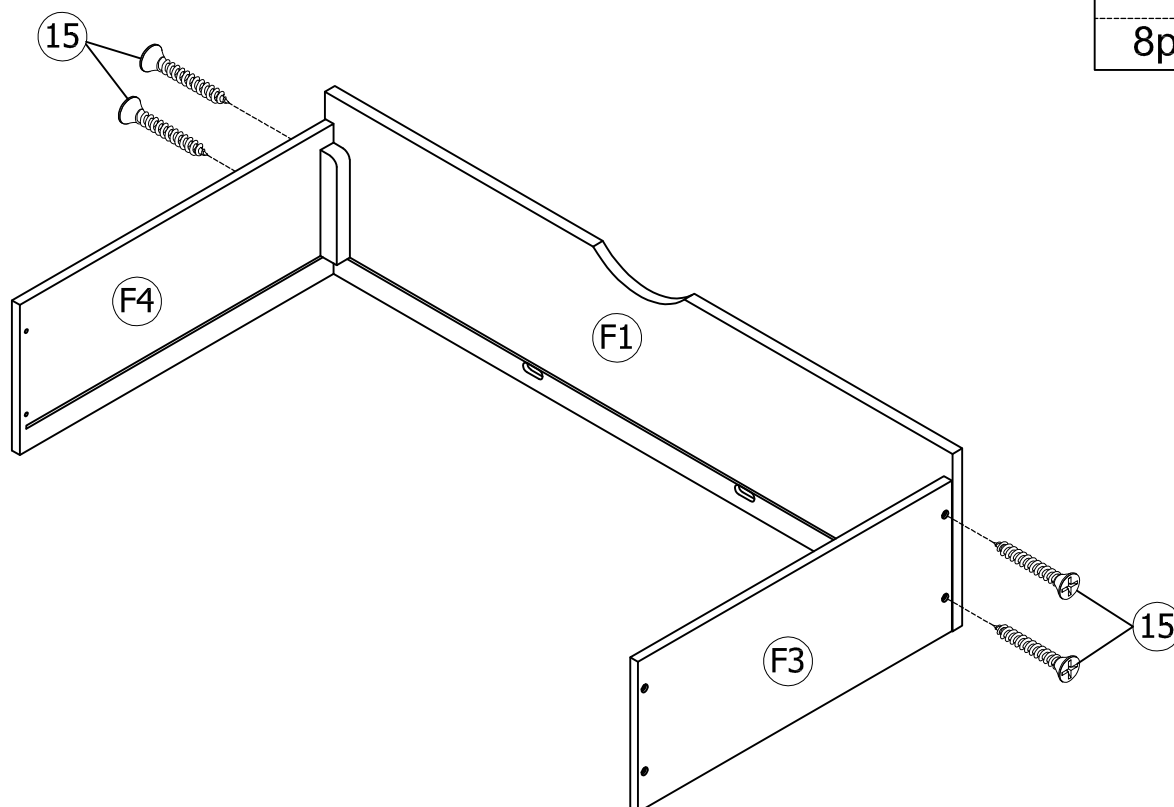


STEP 21 x 2: Following below illustration ..

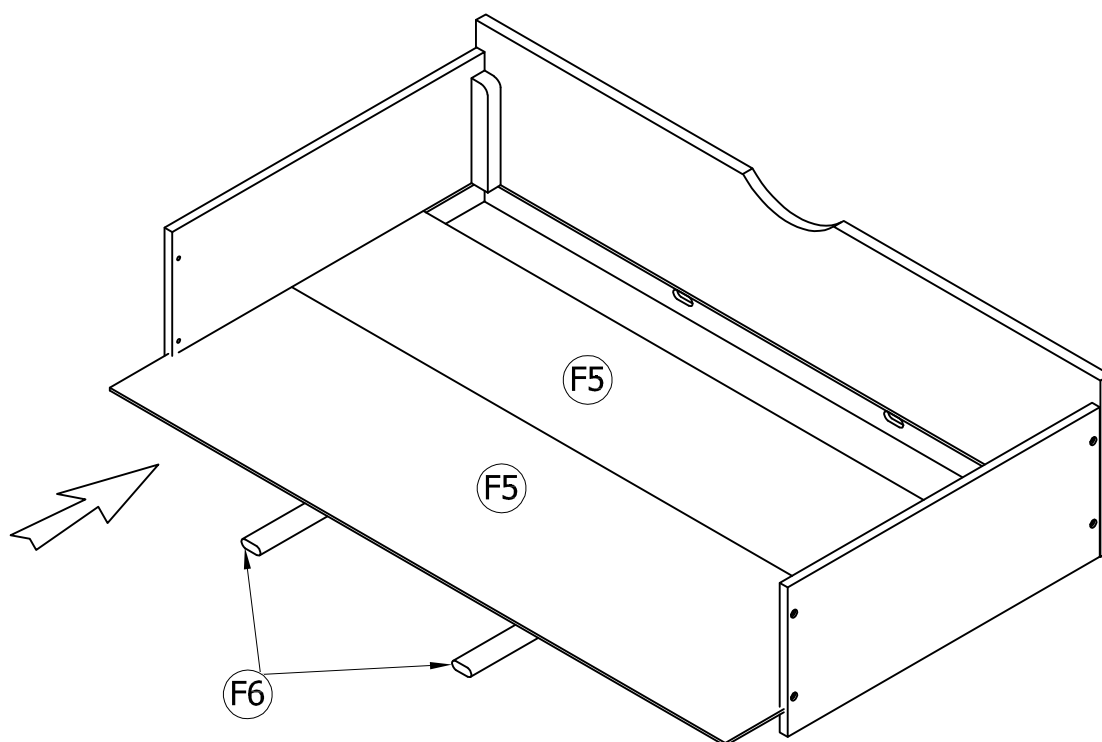
15



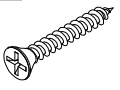
8pcs

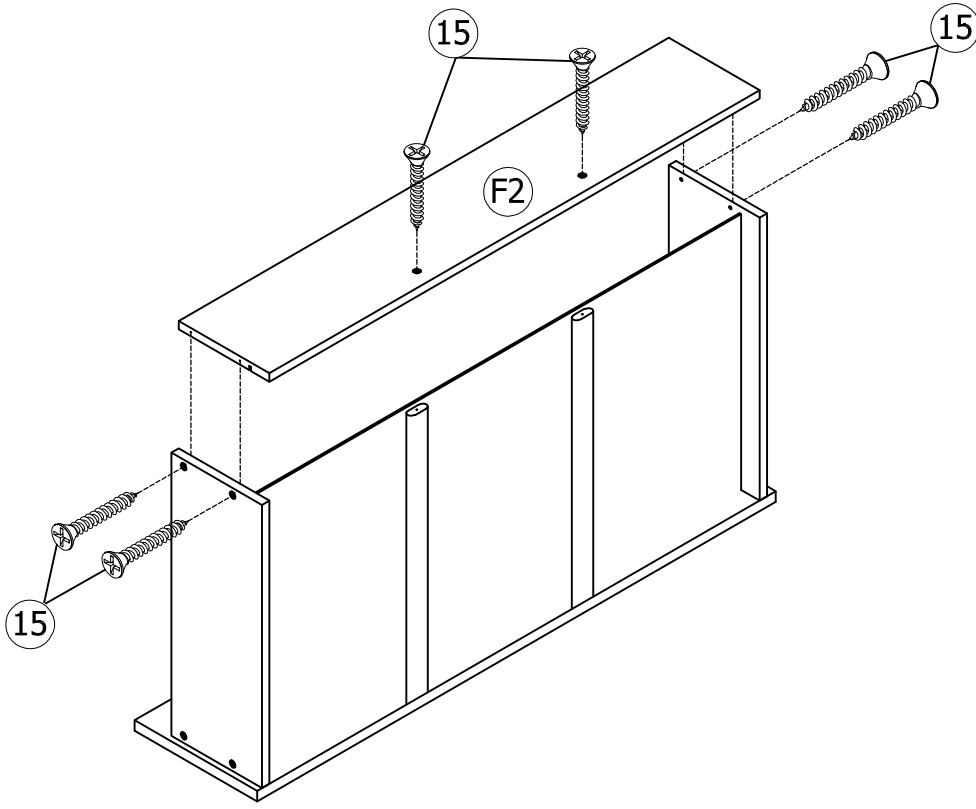


STEP 22 x 2: Following below illustration ..


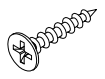


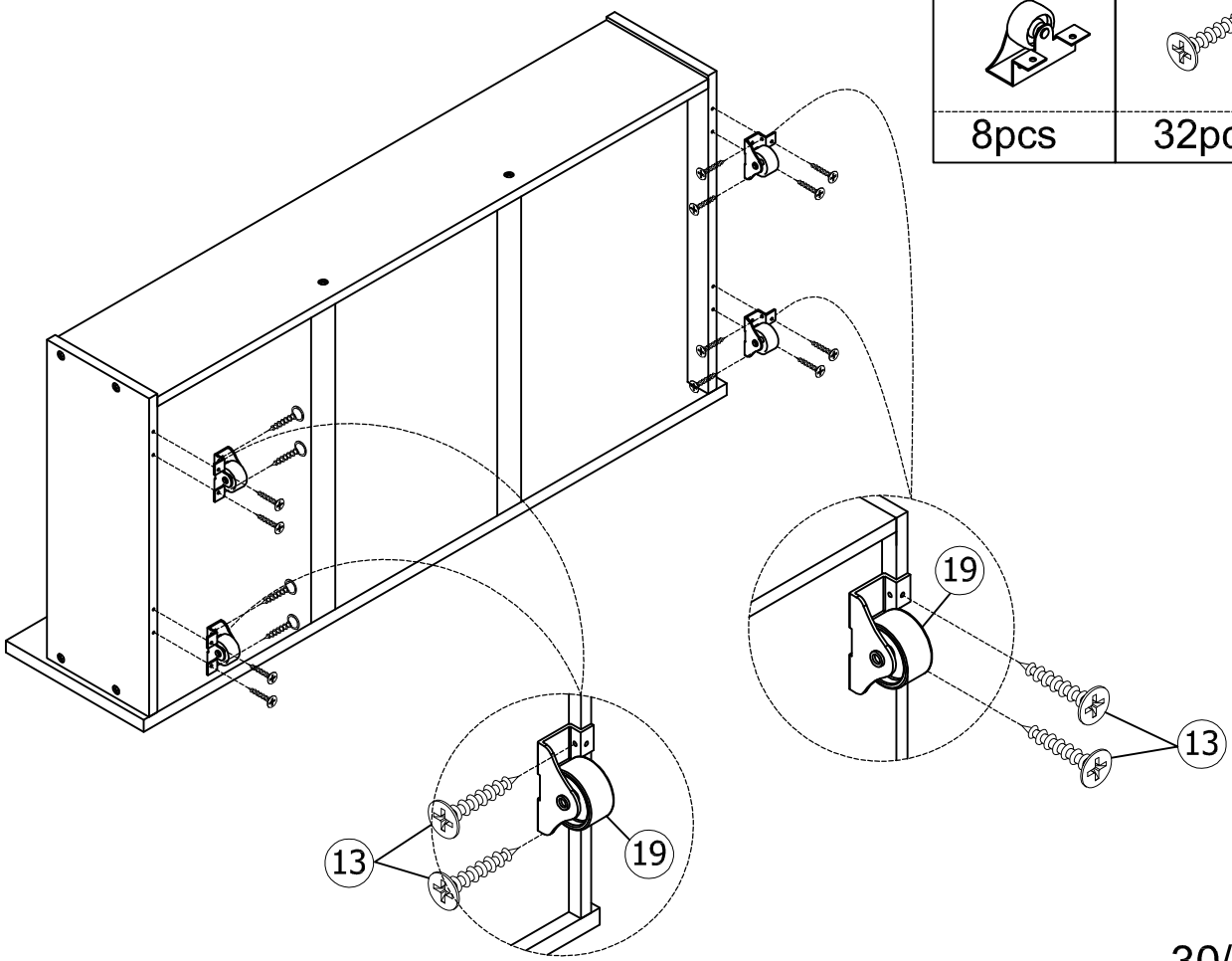
STEP 23 x 2: Following below illustration ..

15

12pcs



STEP 24 x 2: Following below illustration ..

19	13
	
8pcs	32pcs



STEP 25: CONGRARULATION. YOU HAVE COMPLETED THE BED.

