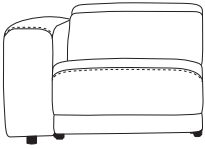
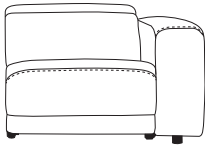
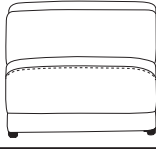
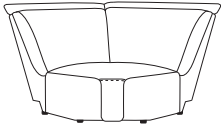




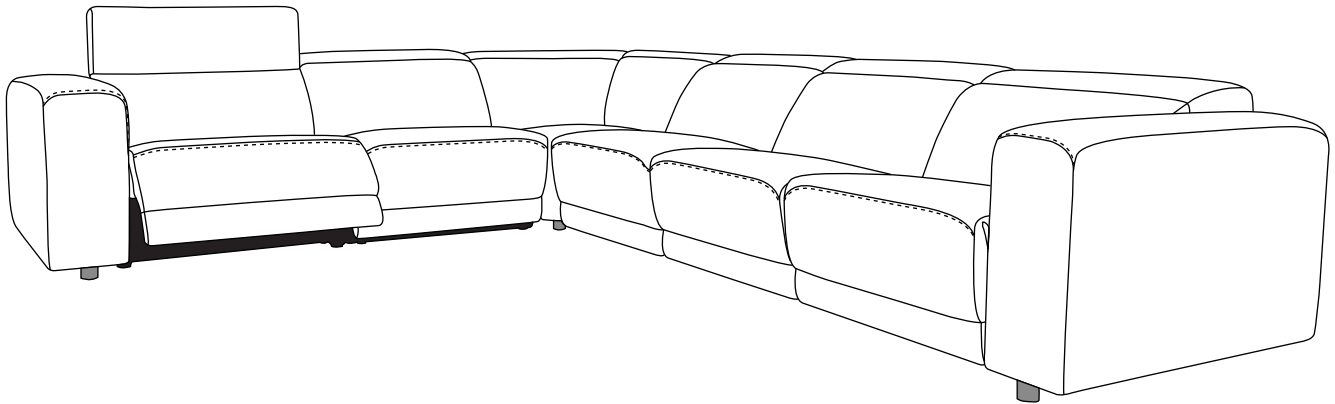


ASSEMBLY INSTRUCTIONS

SKU # 2186SC11

PARTS LIST

A	KNOXVILLE LAF POWER RECLINER CHAIR 218611231					<p>Before Beginning</p> <p>1 - Carefully unpack and position the item on a clean, non-marring surface to assemble.</p> <p>2 - Read this Assembly Instructions from beginning to end before starting to assemble.</p> <p>3 - Take an inventory of the required parts to ensure all are available.</p> <p>4 - To prevent accidental choking hazards, keep all packing materials away from small children.</p> <p>5 - Only tighten hardware until ALL hardware are fully engaged on their locations. Overtighten bolts will damage the bolt threads.</p> <p>6 - Use only factory provided hardware to assemble. Unapproved hardware can damage product or jeopardize the structural integrity of the product.</p> <p>7 - The use of power tool to assemble is not recommended due to high risk of over-torque, which can damage the product.</p>
B	KNOXVILLE RAF POWER RECLINER CHAIR 218611331					
C	KNOXVILLE ARMLESS CHAIR 218611531					
D	KNOXVILLE CORNER 218611954					
Z	HARDWARE	Z1  2160MM X1	Z2  300MM X1	Z3  1800MM X1	Z4  2250MM X1	



ASSEMBLY REQUIRES
TWO PEOPLE



15-MINUTE
ASSEMBLY TIME



KEEP INSTRUCTIONS
FOR FUTURE USE



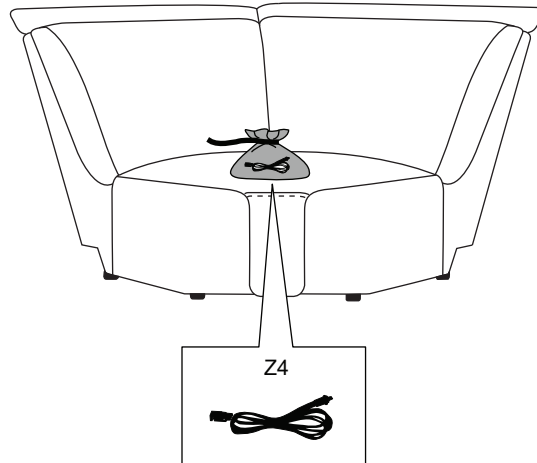
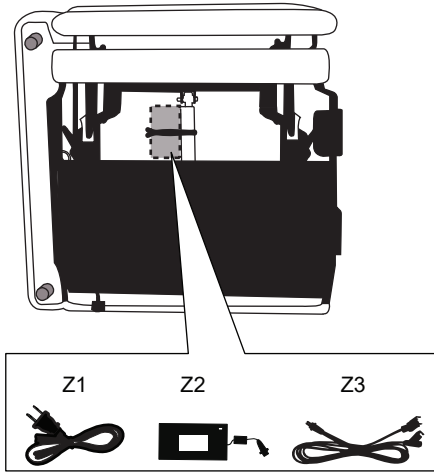
ASSEMBLY INSTRUCTIONS

SKU # 2186SC11

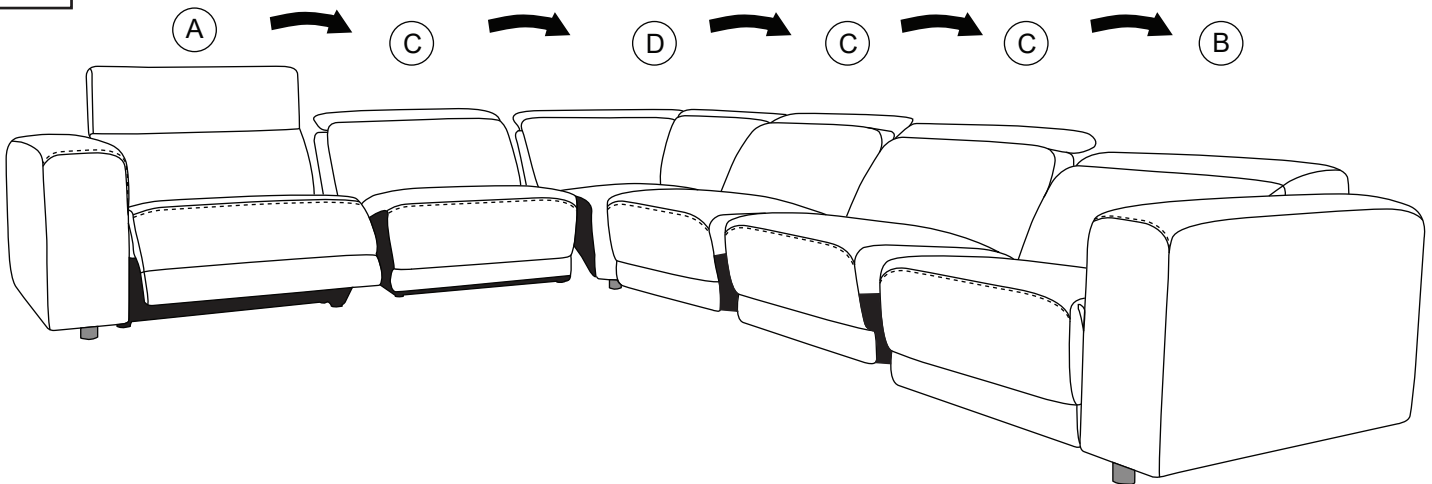
1

218611231

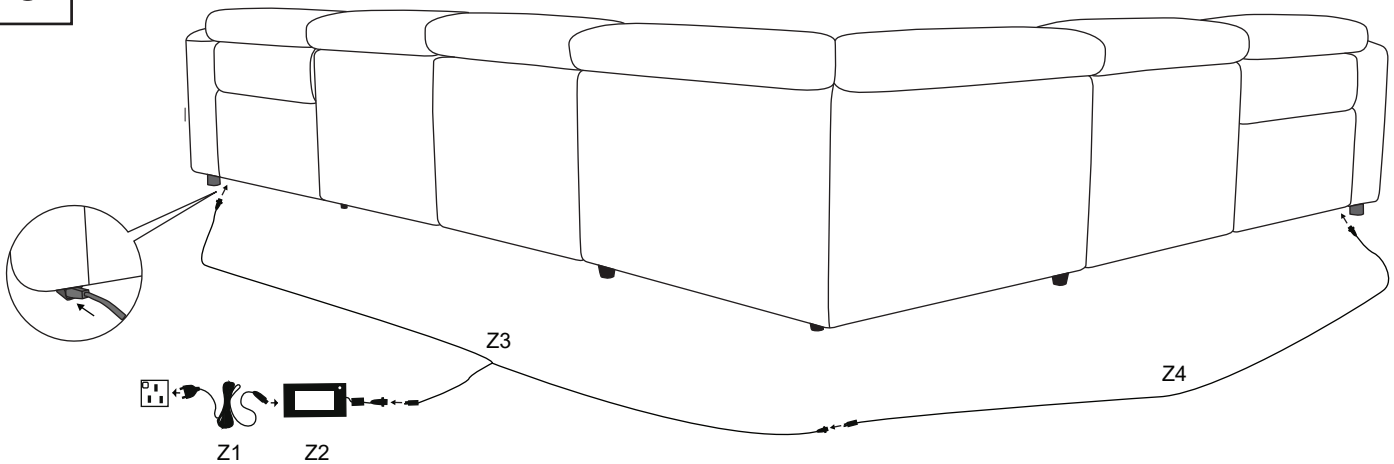
218611954



2



3



ASSEMBLY INSTRUCTIONS
SKU # 2186SC11

4

