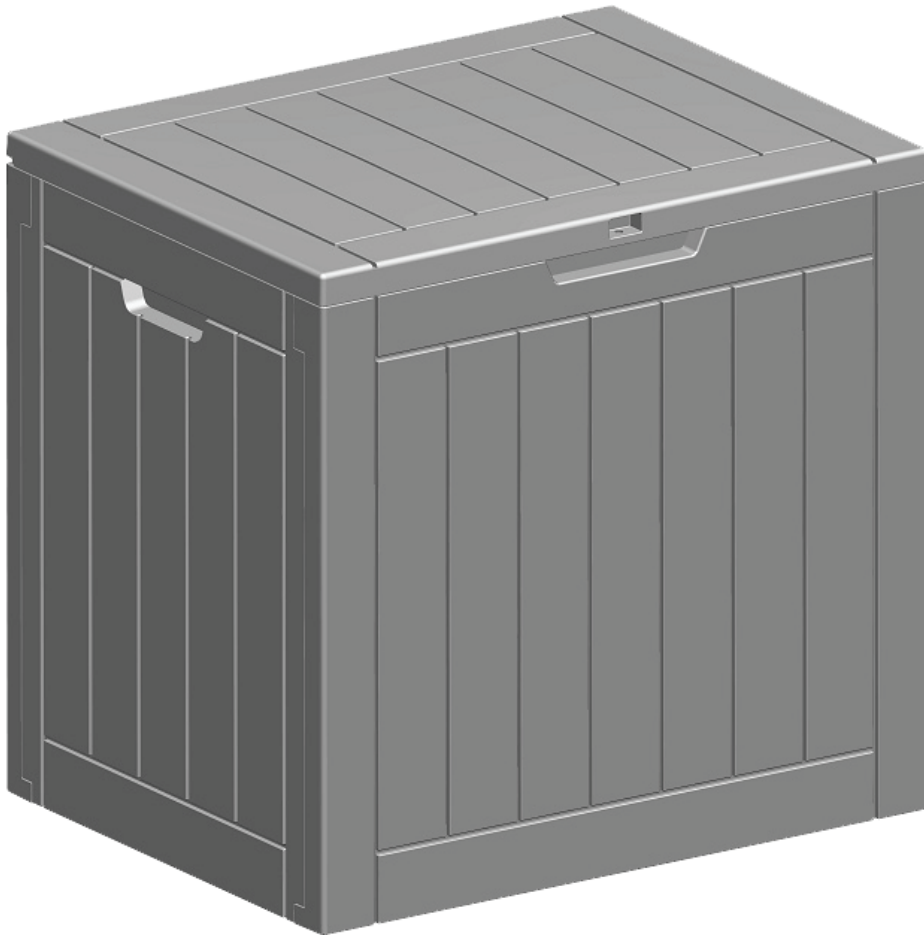


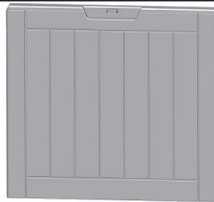
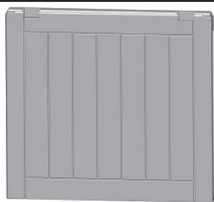

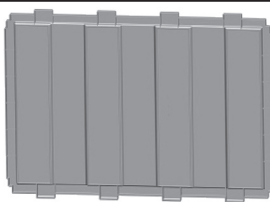

# WOOD GRAIN OUTDOOR STORAGE BOX

Review all assembly and care information before using this product. Save this manual for future reference.

**Assemble components on a soft, clean surface to avoid damaging the finish.**



Inspect packaging to ensure all parts are accounted for before disposing of packing materials.  
Save the packing slip.

No.	PARTS	QTY.
A	 Front Panel	1
B	 Back Panel	1
C	 Side Panel	2
D	 Bottom Panel	1
E	 Lid	1

**110**  
pounds  
50 kg  
Weight Capacity

## ! HELPFUL HINT

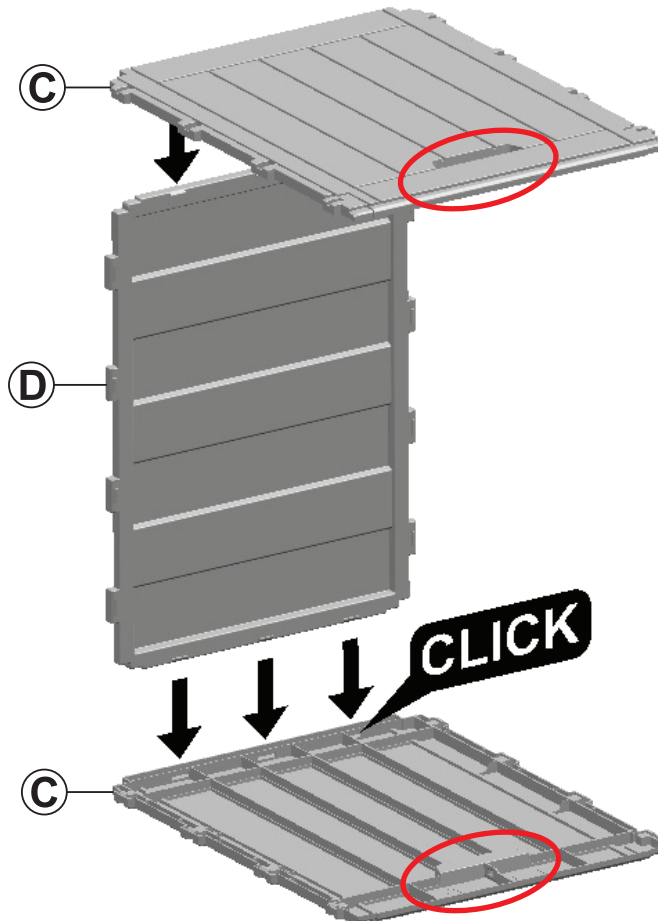
Sunnydaze Decor advises reading this manual fully, and assembling the unit soon after purchase. Check that all parts are accounted for and familiarize yourself with the assembly before beginning. Save this manual for future reference.

# ASSEMBLY

## STEP 1

C: 2

D: 1



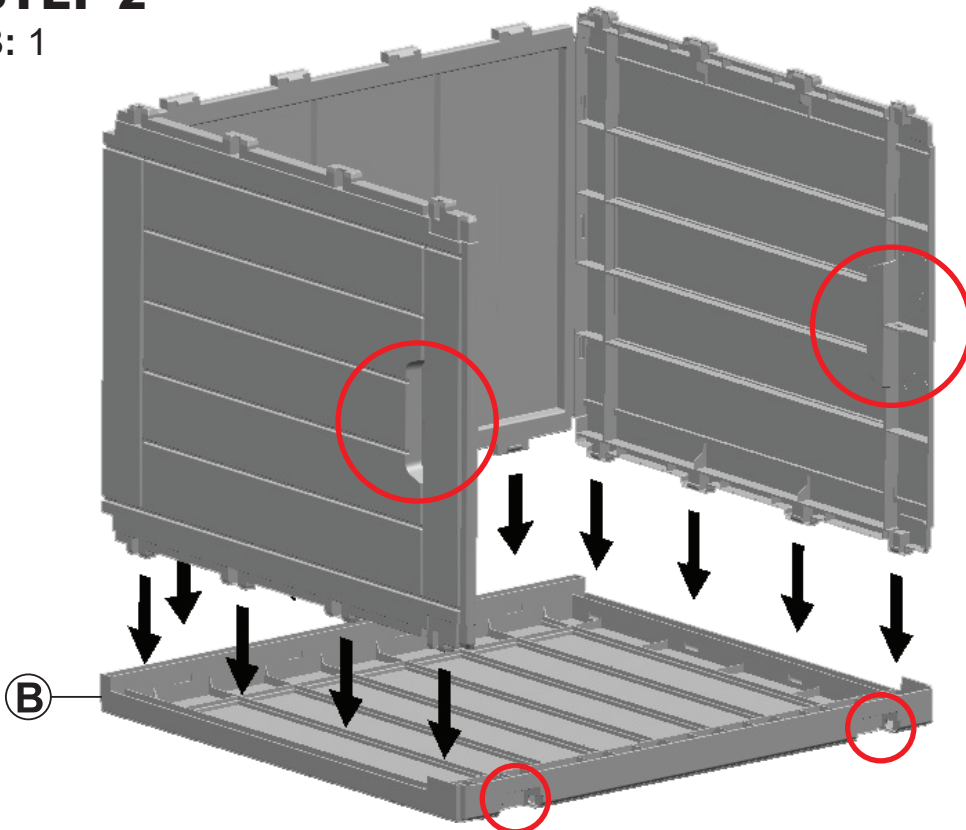
**IMPORTANT:** Ensure the handles in the side panels are installed on the opposite side of the bottom panel.

Firmly and evenly press the tabs on the shorter side of Bottom Panel (D) into the notches of Side Panel (C).

Firmly press remaining Side Panel (C) onto the opposite side of the bottom panel.

## STEP 2

B: 1

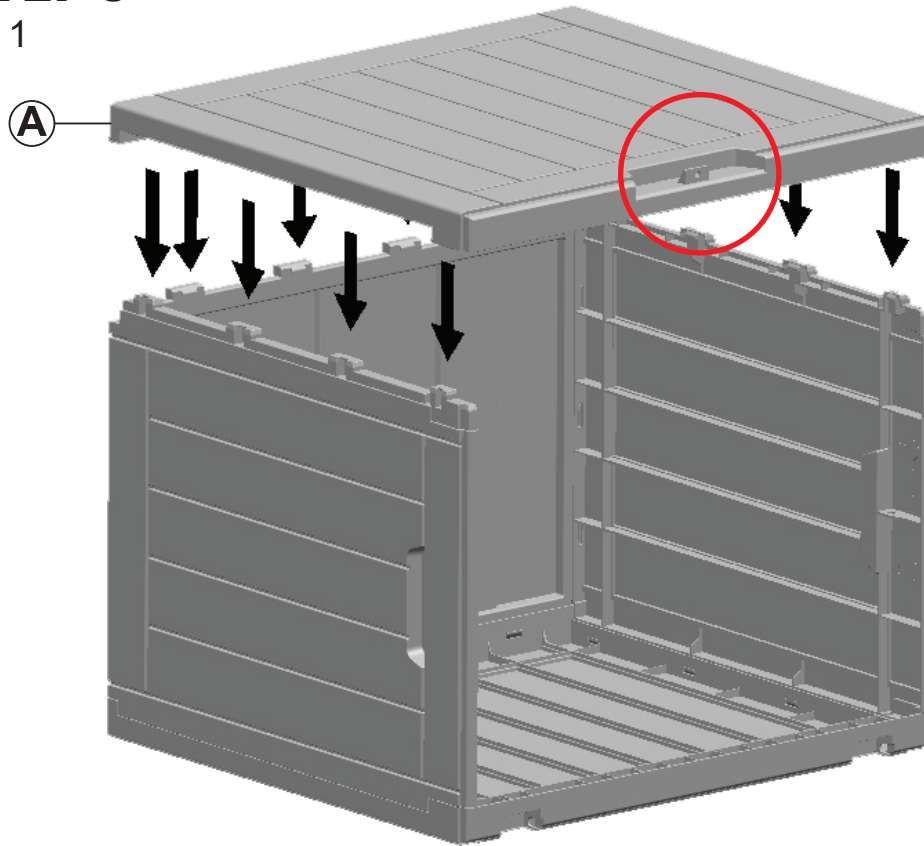


**IMPORTANT:** Ensure the handles in the side panels are installed on the same side as the hinge grooves in the back panel as indicated in the picture.

Firmly and evenly press the assembled components onto Back Panel (B) as shown.

### STEP 3

A: 1

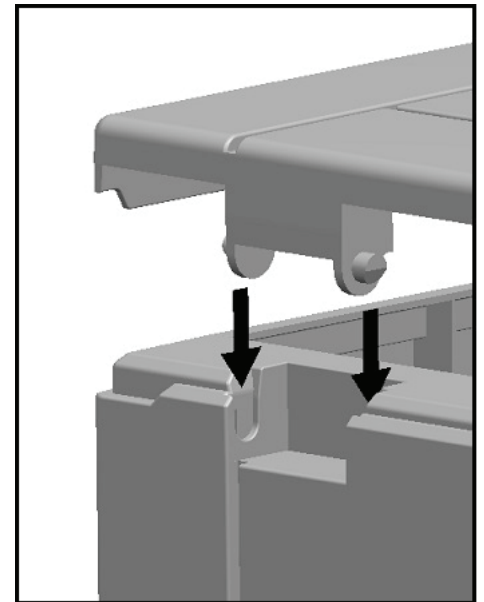
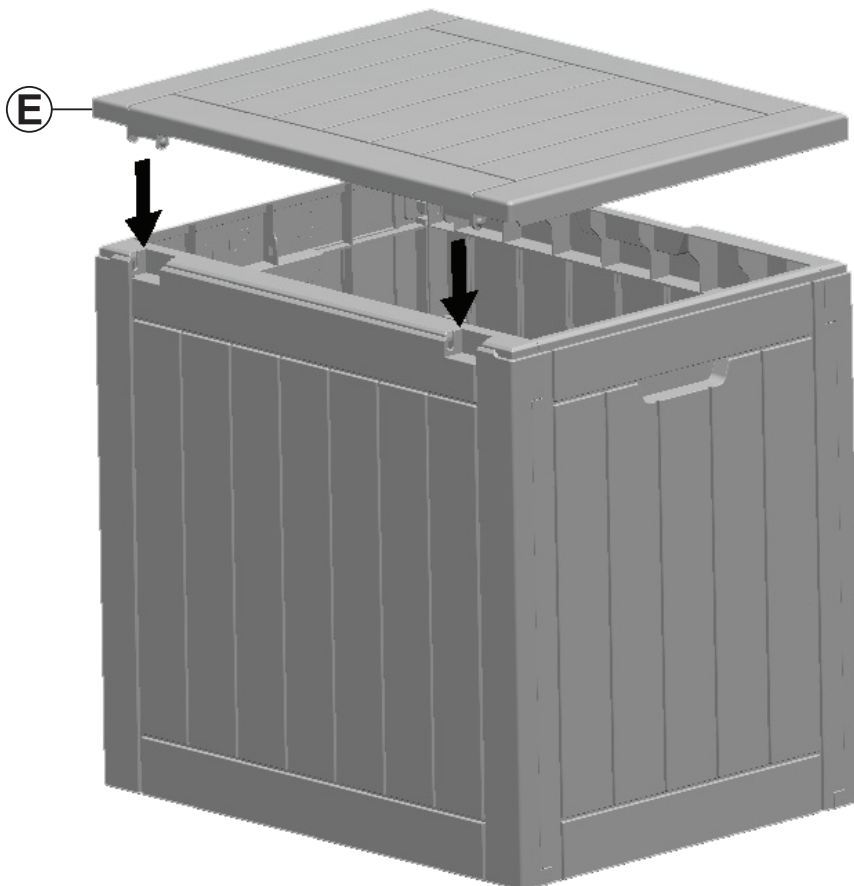


**IMPORTANT:** Ensure the groove on the front panel is installed on the same as the handles in the side panels as indicated in the picture.

Firmly and evenly press Front Panel (A) onto the assembled components as shown.

### STEP 4

E: 1



**IMPORTANT:** Use caution when attaching the lid; too much force may cause the resin to crack.

Firmly but carefully press the hinges on Lid (E) into the grooves of the back panel.

# Care & Maintenance

**SAFE USE:** Do not stand on the deck box. **DO NOT** allow children or pets to play on **OR** inside the **storage box**. Lock the deck box when not in use (lock not included).

**CLEAN:** Periodically washing the unit will maintain a fresh appearance and prevent damage that may result from the build-up of dust and debris.

**INSPECT:** Occasionally check the deck box to ensure all components are firmly secured and resin is intact.

**WINTER CARE:** Store indoors during freezing conditions. Covering with a breathable cover while in storage will help prevent dust and debris build-up.

## Cleaning

*Regular cleaning keeps your resin furniture looking stunning for many Sunnydaze to come!*

**Do not use harsh chemicals or abrasive materials to clean the furniture.**

 **DO NOT USE BLEACH**

 **DO NOT USE A PRESSURE WASHER**

- Brush, vacuum, or use a garden hose to remove loose dirt and debris.
- Mix 1/4 cup of soap or a mild detergent with 1 gallon of warm water. Use a soft-bristle brush to scrub dirt and grime from the surfaces.
- Thoroughly rinse the unit; spray with a garden hose or use a bucket of water to rinse all traces of soap residue from the unit.
- Dry the unit with a soft, lint-free cloth.

### **SAFETY STATEMENTS & WARNINGS**

- Do sit or stand on any part of this unit.
- Do not exceed the weight capacity of the unit.
- Do not use this item in the proximity of open flame or flammable/combustible chemicals.
- Keep furniture a safe distance from heat sources such as fire pits, patio heaters, and grills.
- Do not allow children to use this product.
- Locking the unit when adults are not present is recommended (lock not included).
- Do not use harsh chemicals or abrasive materials to clean this unit.
- This product is for residential use only; institutional or commercial use will void this warranty.

**Any modification to the product or failure to follow recommended care will void the product warranty.**

*If you experience issues with assembly or the product was damaged during shipping, please contact our customer service team through one of the methods mentioned at the top of page 1.*

*Please have the item number and order information ready to expedite response time.*

### **WARNING!**

**Manufacturer and seller expressly disclaim any and all liability from personal injury, property damage or loss, whether direct or indirect, or incidental, resulting from the incorrect attachment, improper use, inadequate maintenance, or neglect of this product.**