

# Assembly Instructions

## Office Chair

Model:OC037

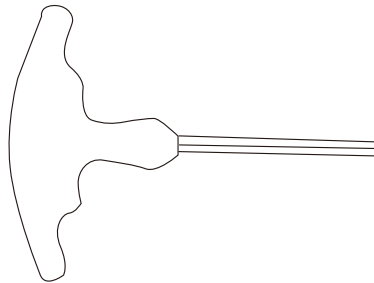


**MADE IN P.R.C.**

Thank you for your choice.If you encounter any problems, please feel free to contact us at **F.care.tech@outlook.com**.We will provide you with a solution.  
We greatly value your valuable suggestions and feedback.



## Tools required for assembly



## WARNING :

**Be careful not to let children swallow the assembling parts.**

**Please put the unpacked plastic bag or foam back into the carton for easy disposal**

**Achten Sie darauf, dass Kinder die Montageteile nicht verschlucken.**

**Bitte legen Sie die ausgepackte Plastiktüte oder den Schaumstoff zur einfachen Entsorgung wieder in den Karton.**

注意不要让儿童吞下组装部件

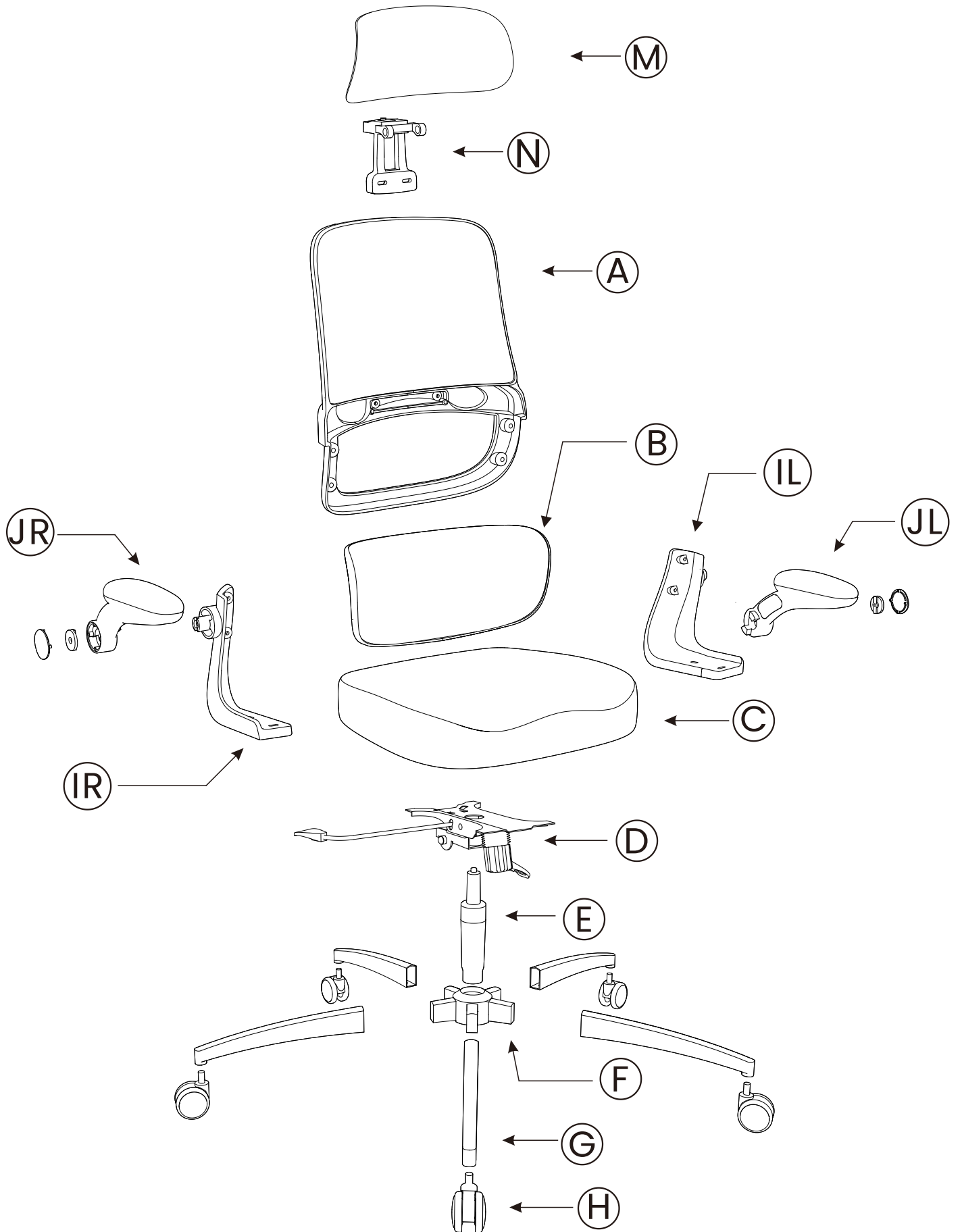
请将拆开的塑料袋或泡沫放回纸箱中，以便于处理

子供が組み立て部品を飲み込まないように注意してください

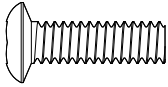
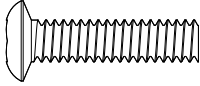
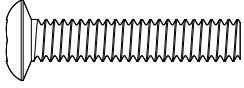
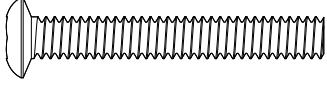
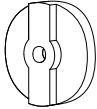
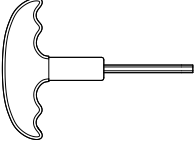
開封したビニール袋または発泡スチロールは、簡単に処分できるようにカートンに戻してください

어린이가 조립 부품을 삼키지 않도록 주의하세요

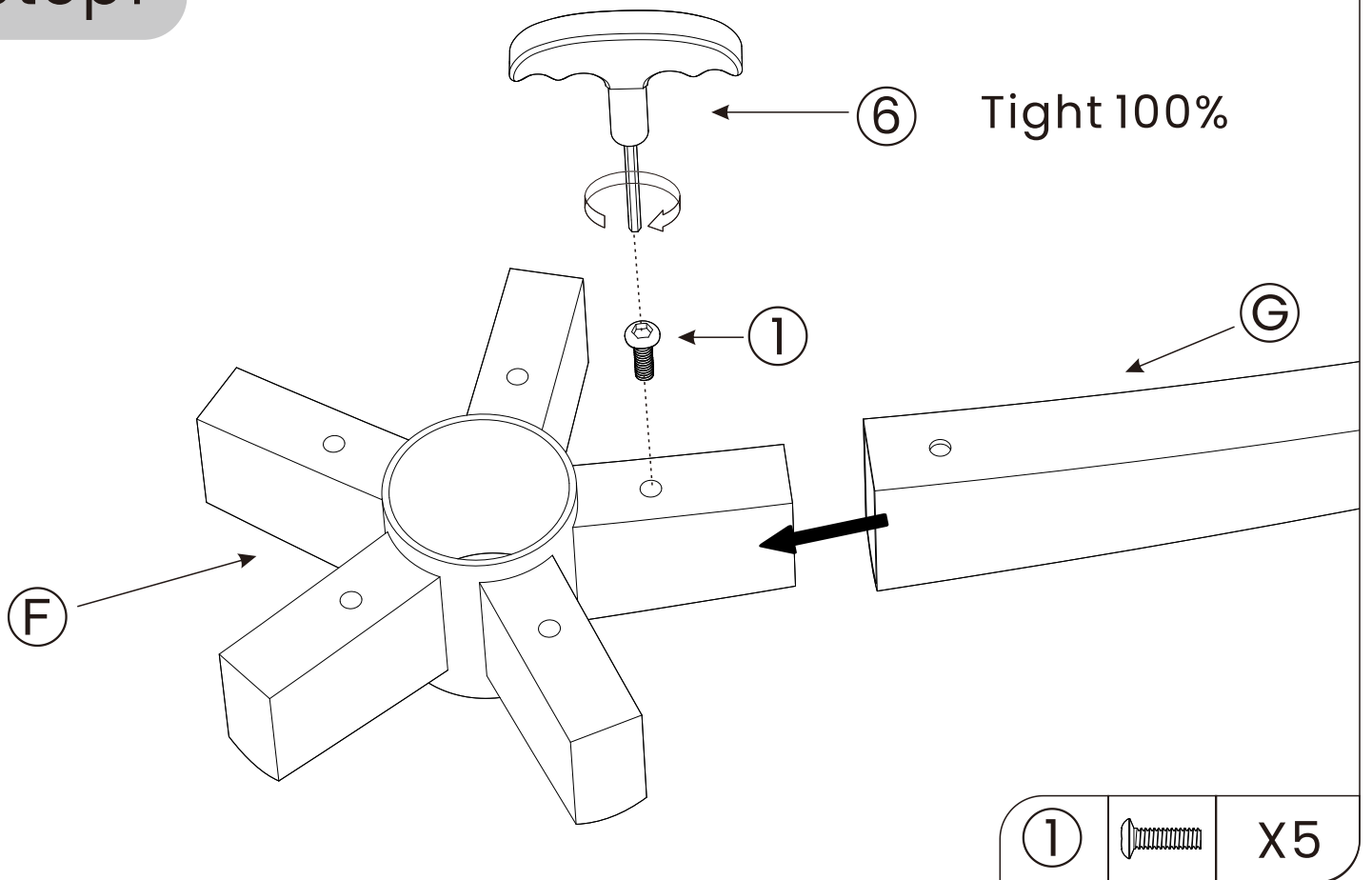
포장을 푼 비닐 봉지나 폼은 쉽게 폐기할 수 있도록 상자에 다시 넣어주세요



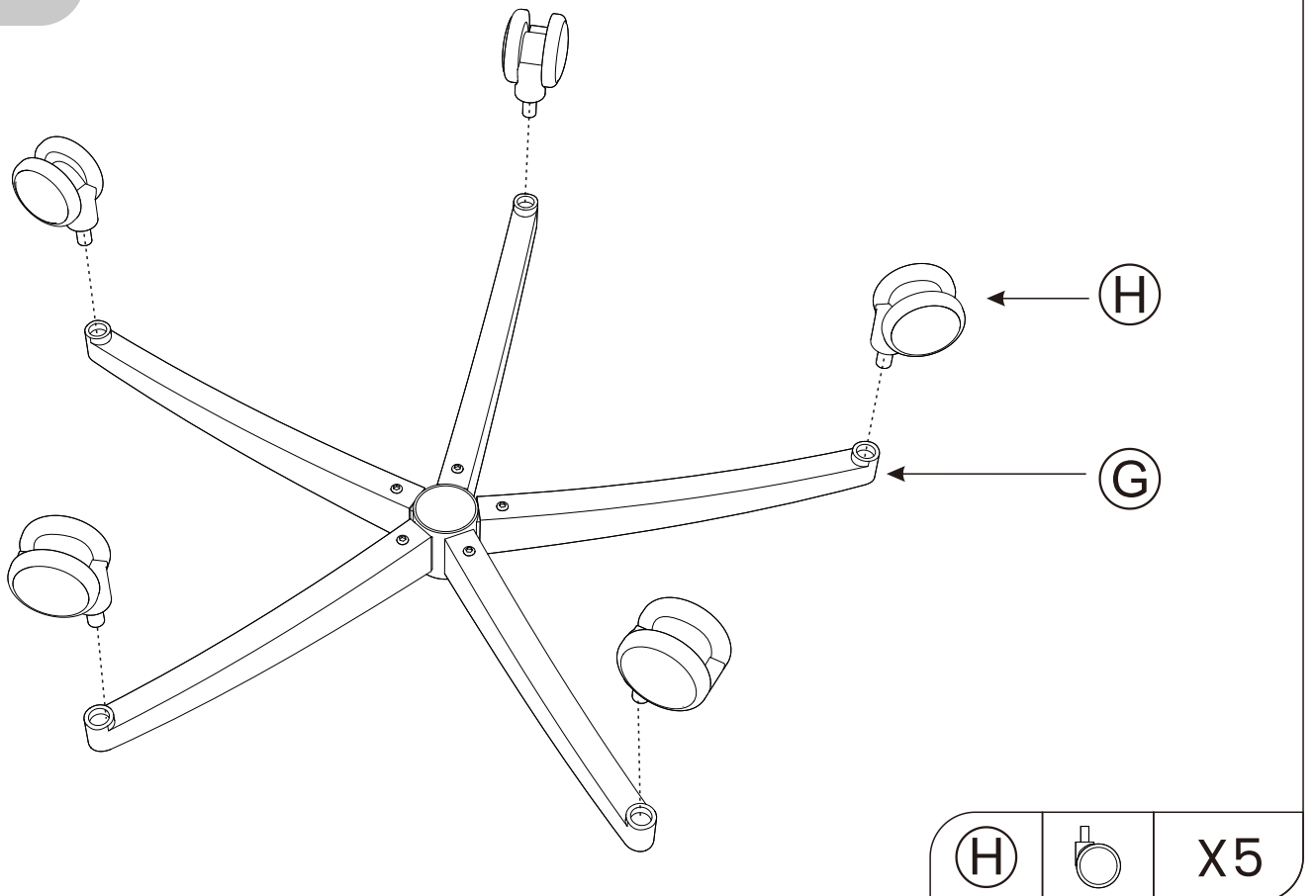
## Screws Pack

①		M6*16mm	5pcs+1
②		M6*20mm	8pcs+1
③		M6*25mm	8pcs+1
④		M6*35mm	4pcs+1
⑤		Plastic gasket	2pcs
⑥		M5	1pc

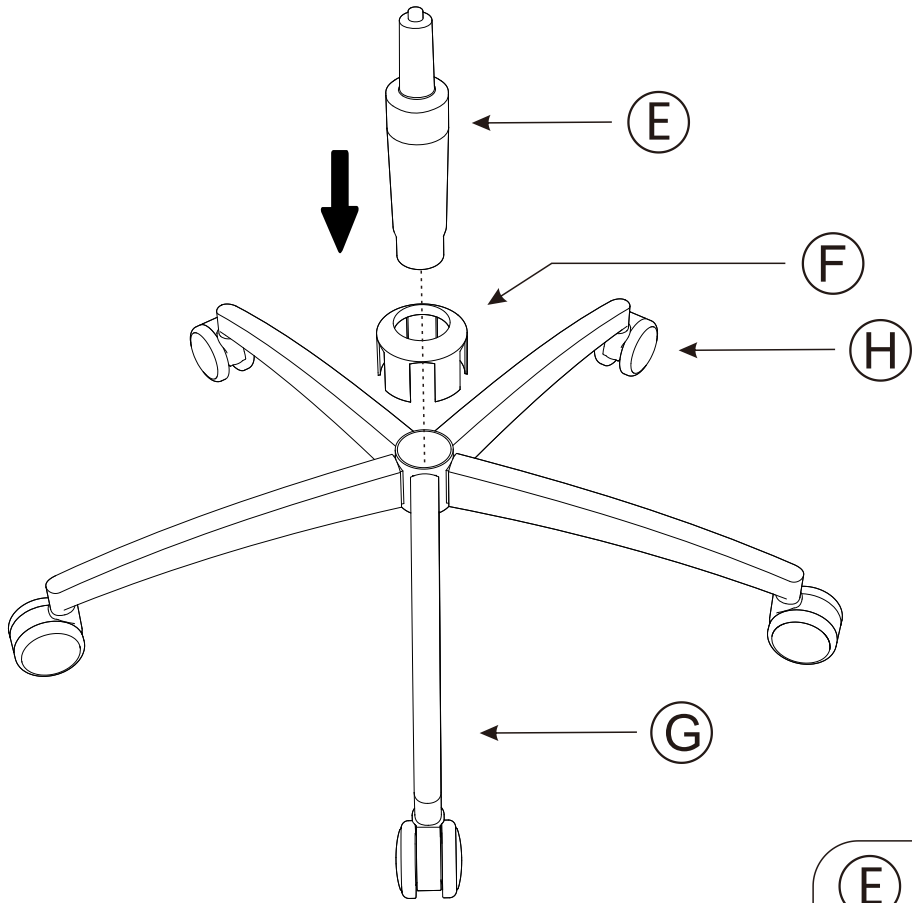
# Step1



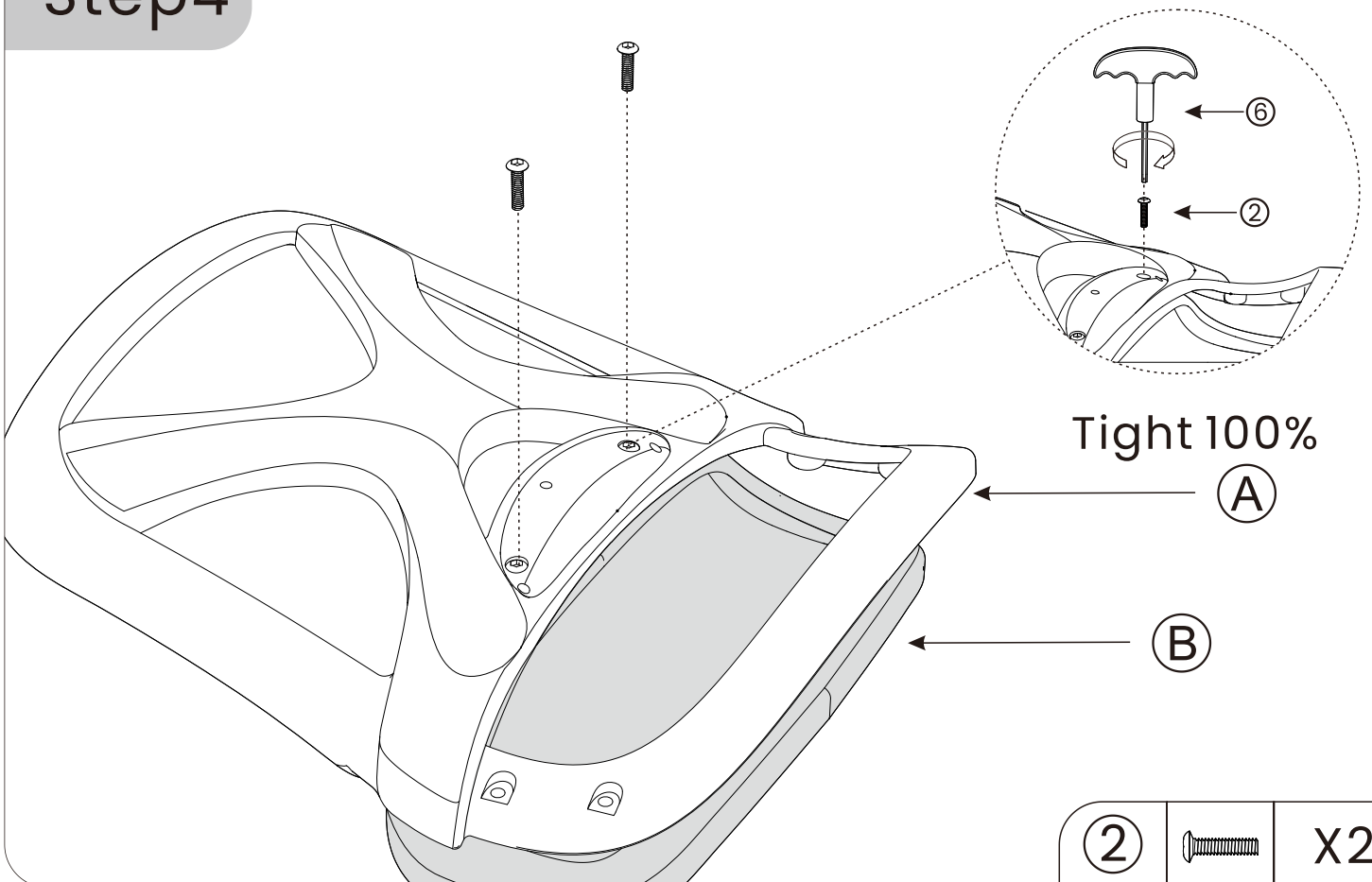
# Step2



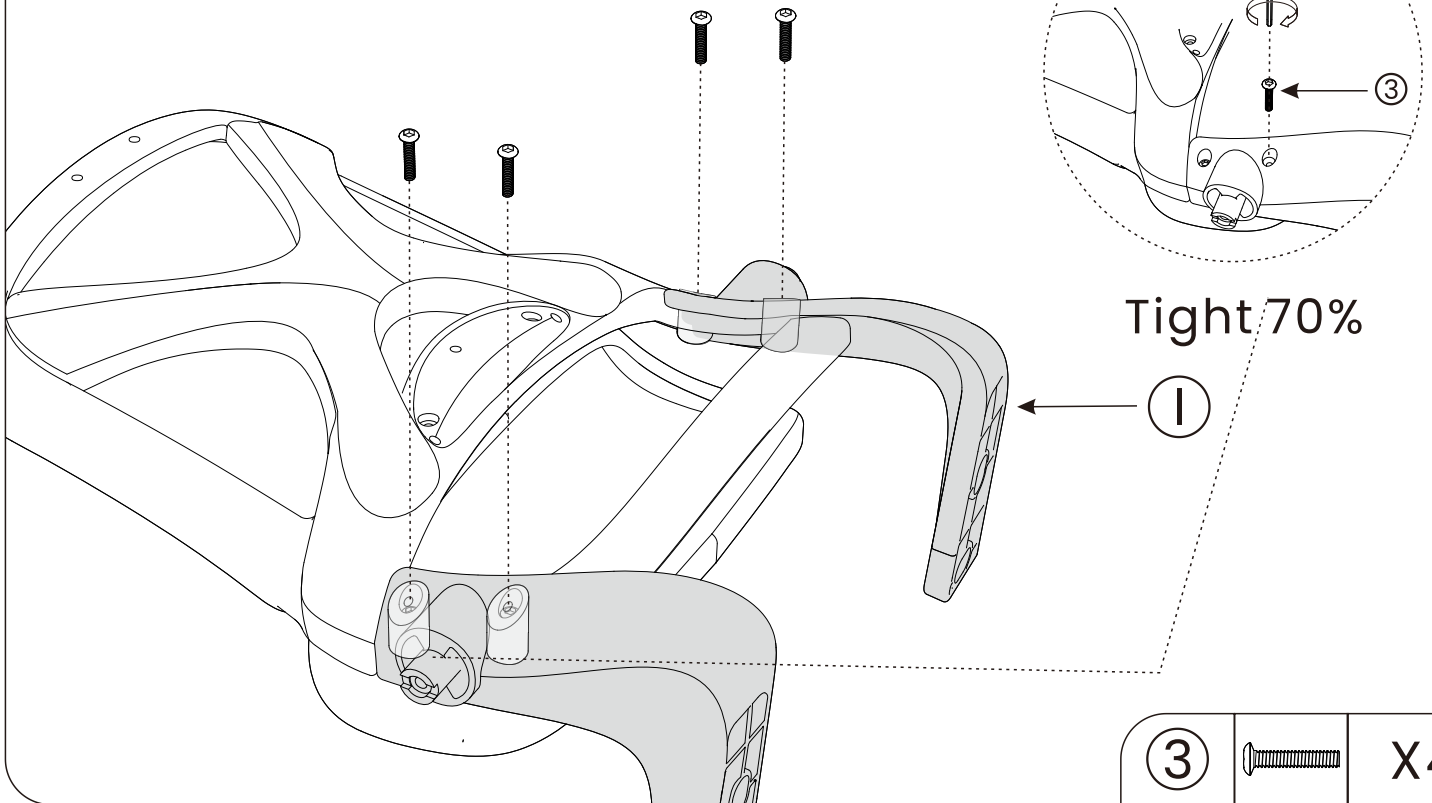
# Step3



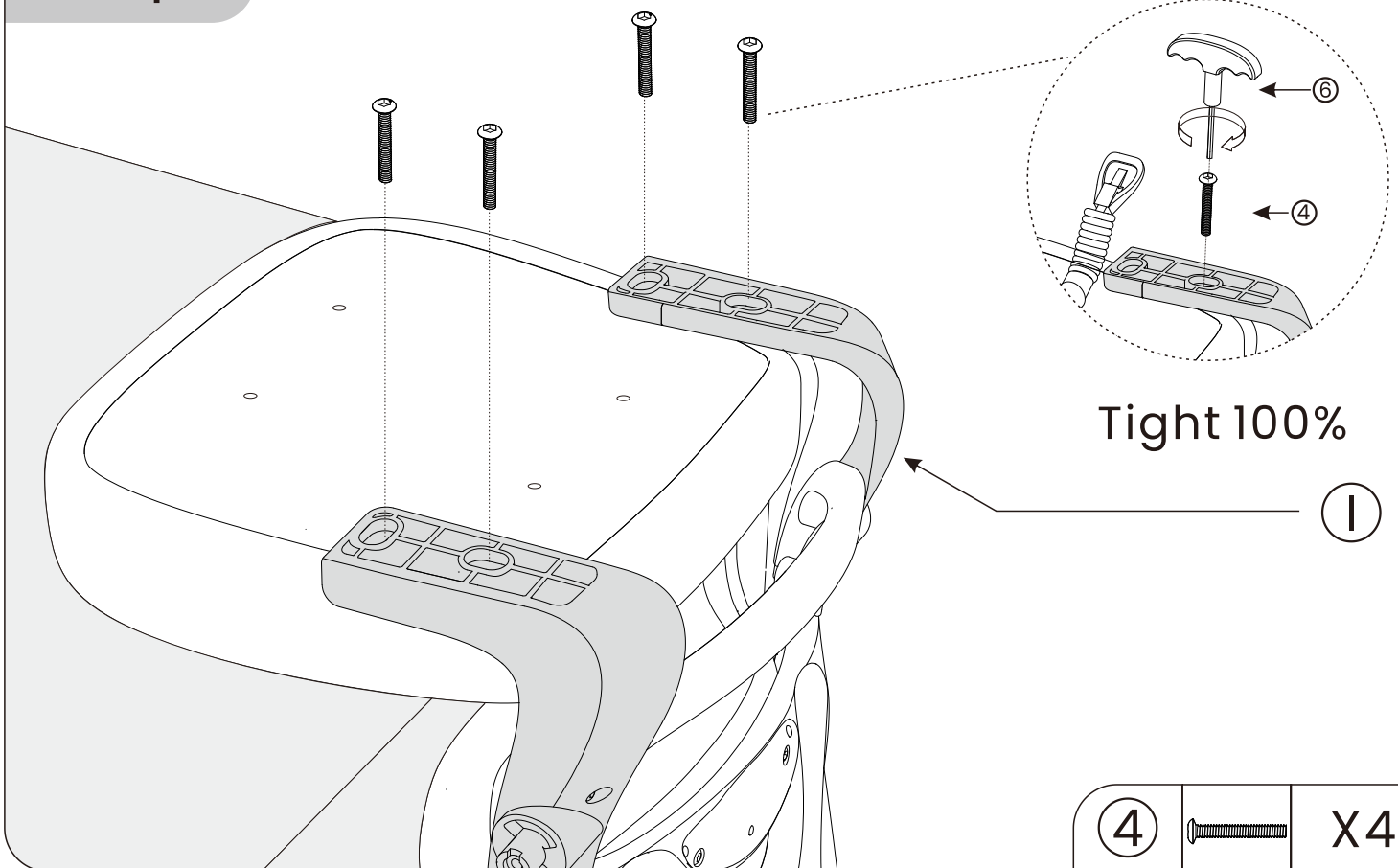
# Step4



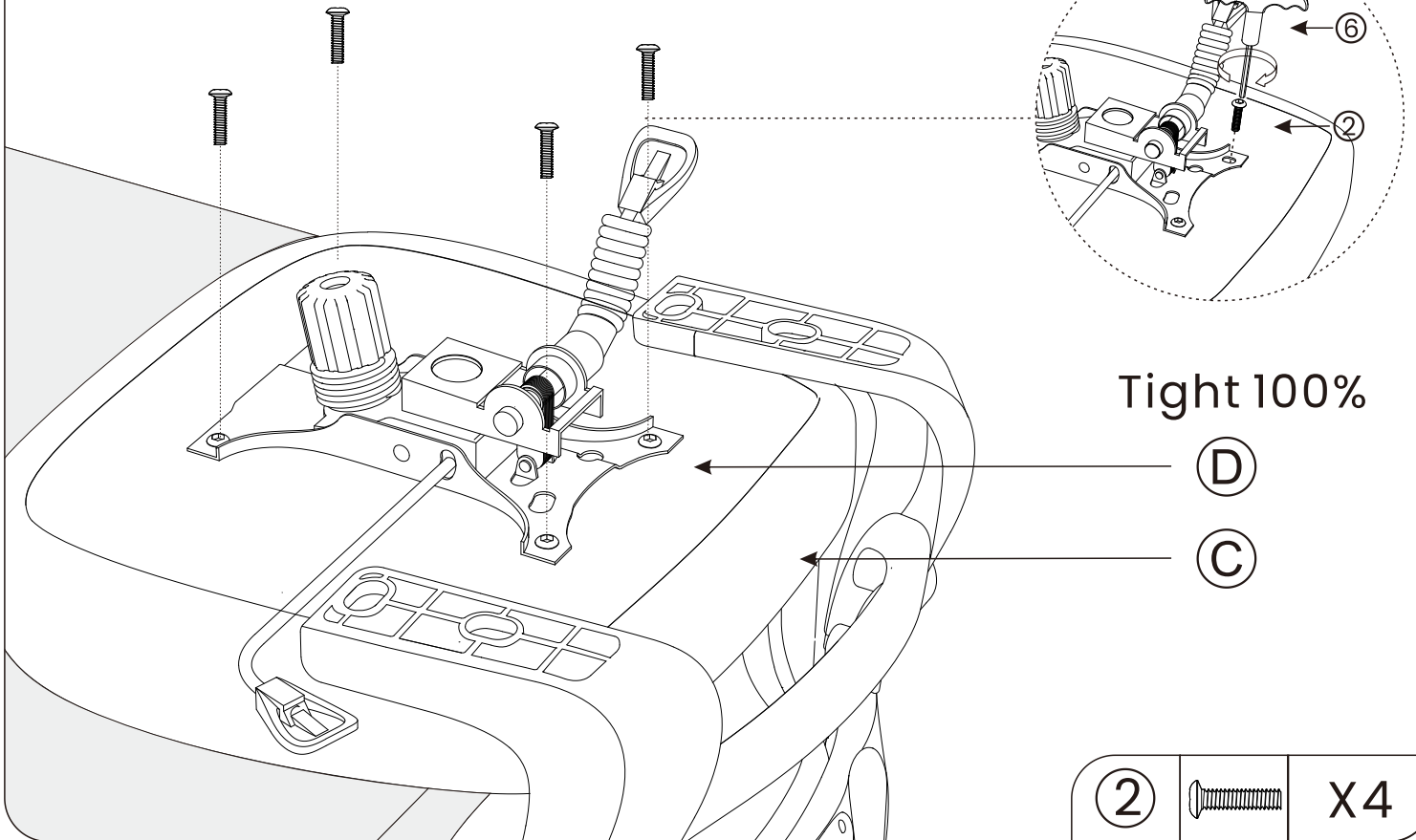
# Step5



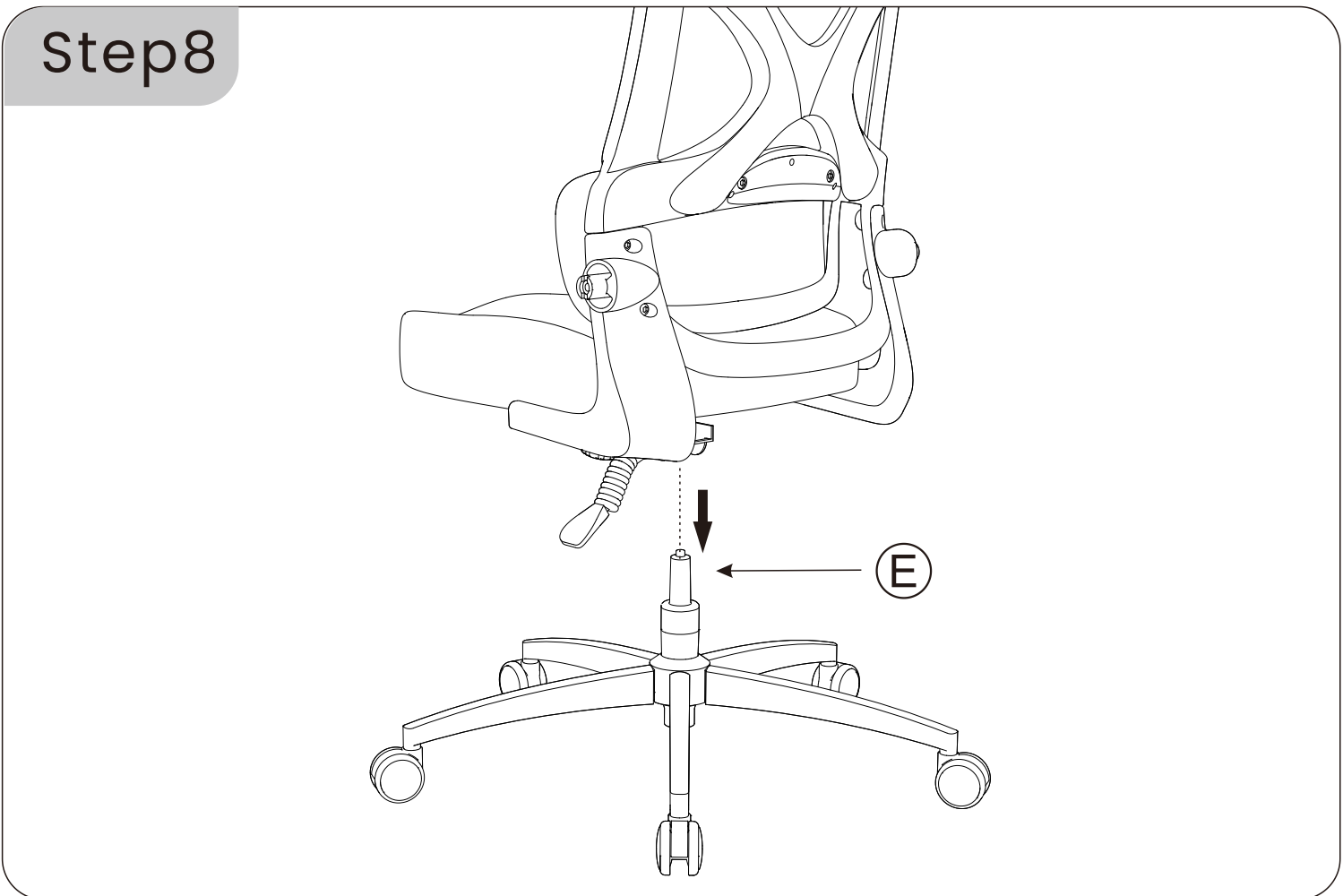
# Step6



# Step7

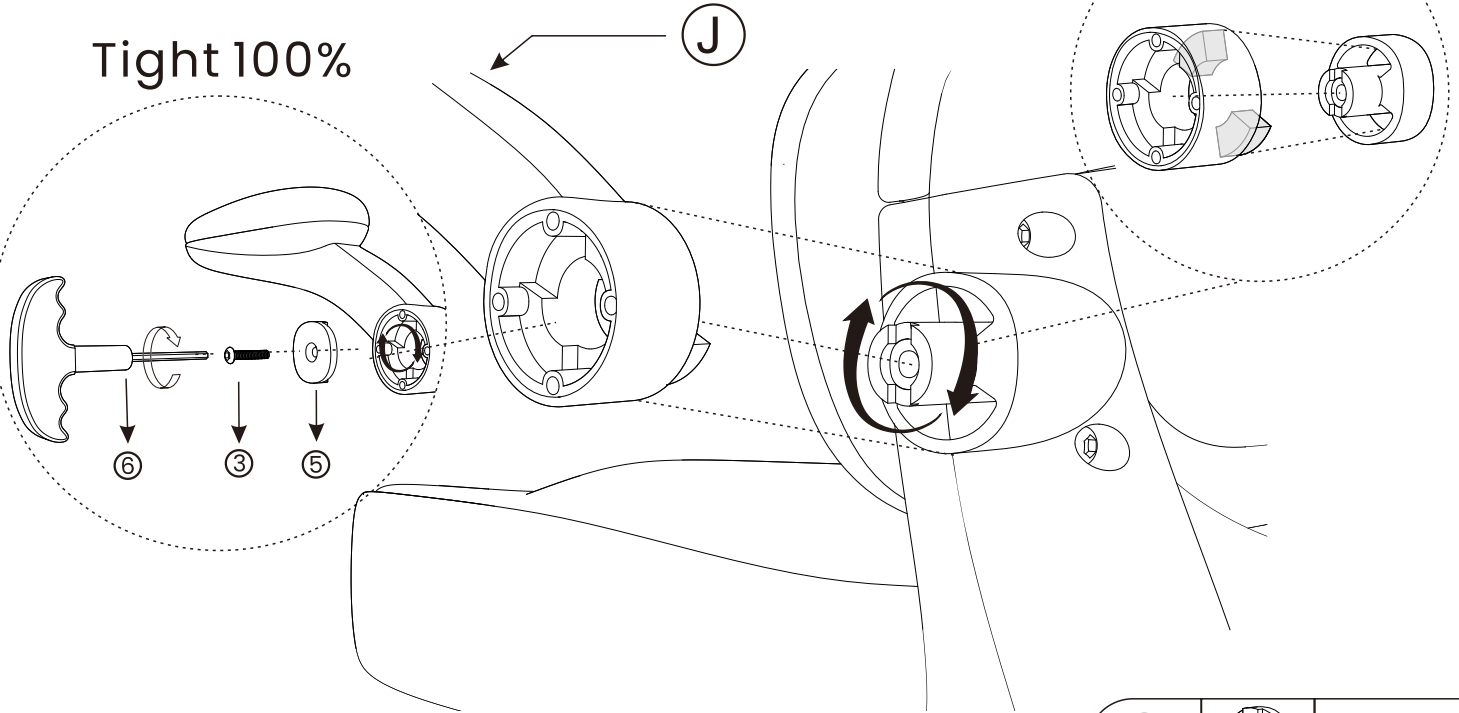


# Step8



# Step9

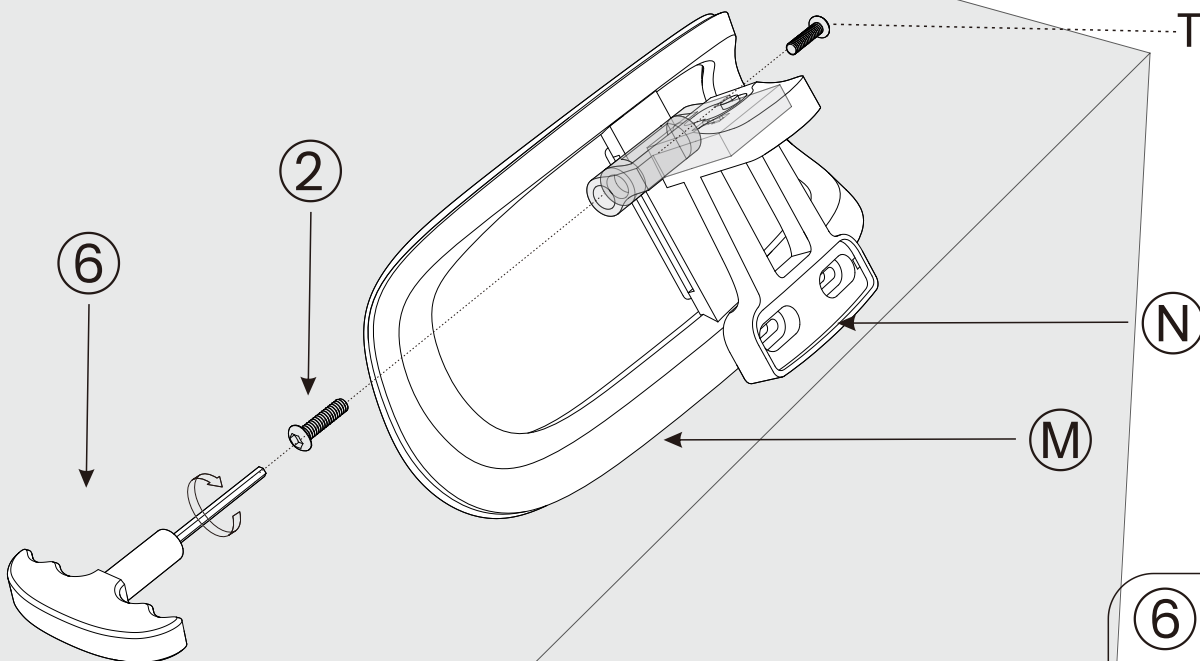
Tight 100%



⑤		X2
③		X2

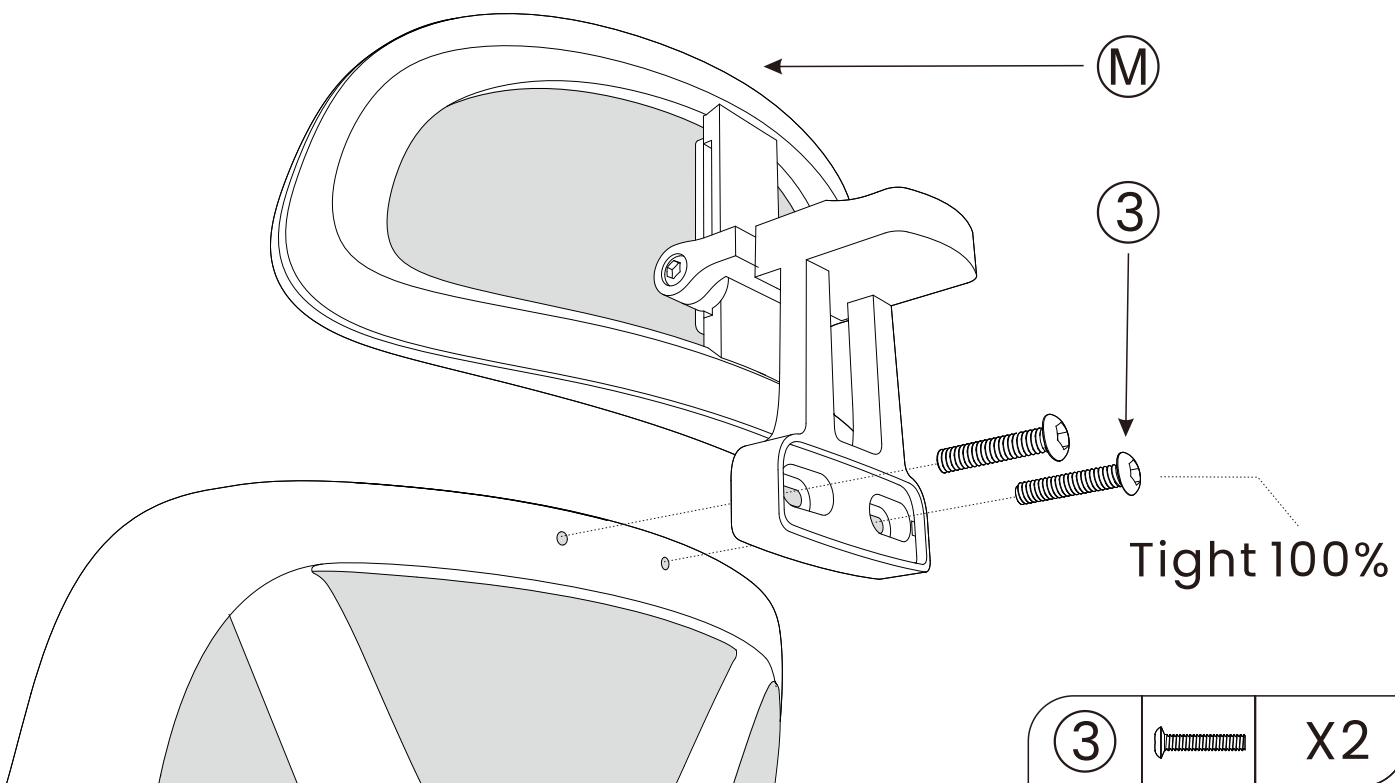
# Step10

Tight 100%



⑥		X1
②		X2

# Step11



# Step12

