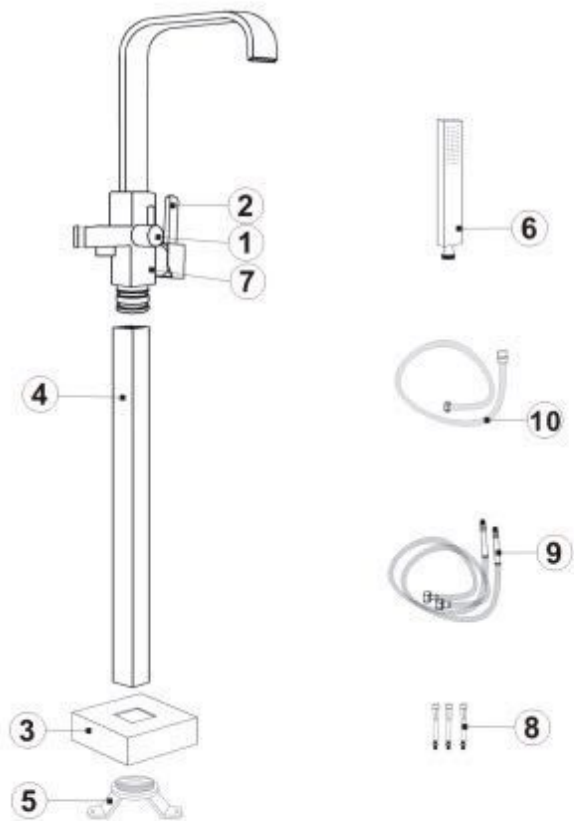
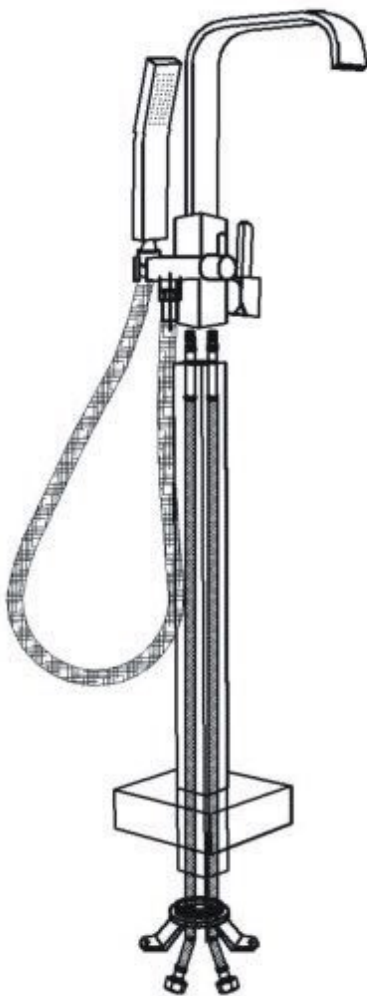


# Floor standing faucet installation instructions



1	Diverter	6	Shower handset
2	On/off	7	Faucet body
3	Decorative base	8	Screw
4	Stand column	9	Flexible hoses
5	Permanent seat	10	Shower hose

## Installation step

1. Put up the faucet handle to the right side, then cold water out more, to the left side, the hot water out more.
2. The exchange switch is between faucet and hand shower to the left is for hand shower water out, and to the right is for the faucet water out.
3. Put 3 to 4.
4. Fix 5 to 4.
5. Tighten 6 to 7.
6. Lock 4 to 7.
7. Connect inlet water pipe to water outlet, the left connect hot water, the right connect cold water.
8. Fix the floor standing faucet to the floor with bolt
9. Connect the hand shower and hose.