

Dear buyer, Thank you for choosing our products. Please carefully follow the assembly instructions below to ensure proper assembly and to avoid any potential issues.

Recommendations Before Beginning Assembly:

1. Read instructions, cover to cover
2. Check that you have all the necessary tools listed in the instruction manual.
3. Assemble on a clean non-marring surface.
4. Have at least 2-3 adults on hand for assembly.
5. Save all packaging until finished.
6. Keep small parts and tools away from children.

Assembly Notice:

- Lay out all the parts and hardware in an organized manner.
- Identify each part and match them with the corresponding labels in the manual.
- Assemble the cabinet in the sequence specified to ensure stability.
- Do not overtighten screws during assembly as it may damage the parts or strip the threads.
- Double-check each step before proceeding to the next one.
- When you have completed assembly, we suggest you have more than one person to assist you with lifting and placing the product.

IMPORTANT: Don't tighten all the screws at the beginning. Place each screw into their proper hole and use your hand to twist the screw halfway. Twist all the screws in halfway to ensure the holes will match up properly and the product is level on the ground. When everything seems fitted, then tighten the screws.

What should you do when you encounter problems?

If you encounter any difficulties (e.g., missing parts, damaged parts, unsuccessful assembly, etc.) during assembly, do not hesitate to contact the seller directly. The after-sales team will get back to you within 24 hours.

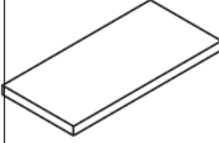

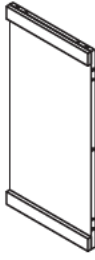
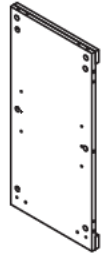
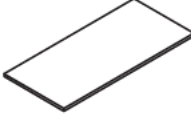
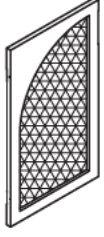


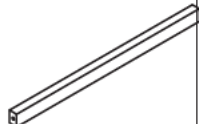





Return Policy

IMPORTANT: Dear, There's no need to rush to return the cabinet if you have any issues (quality or otherwise) that require a refund or exchange. Please contact the seller directly, and everything can be resolved through communication. Thank you!




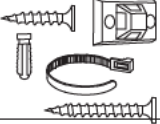






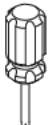
1. If you find that parts of your order are missing or damaged, we will gladly ship any needed replacement parts FREE of charge.
2. If product's quality does not meet your expectations or you have found any sort of defect, please contact our customer service department and let us know the details of your order and any issues encountered, we will try our best to provide you with a solution.

We hope these instructions help you successfully assemble the cabinet. If you have any further questions or concerns, please feel free to contact us for assistance. Enjoy your new sideboard cabinet!

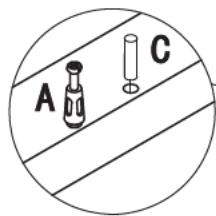
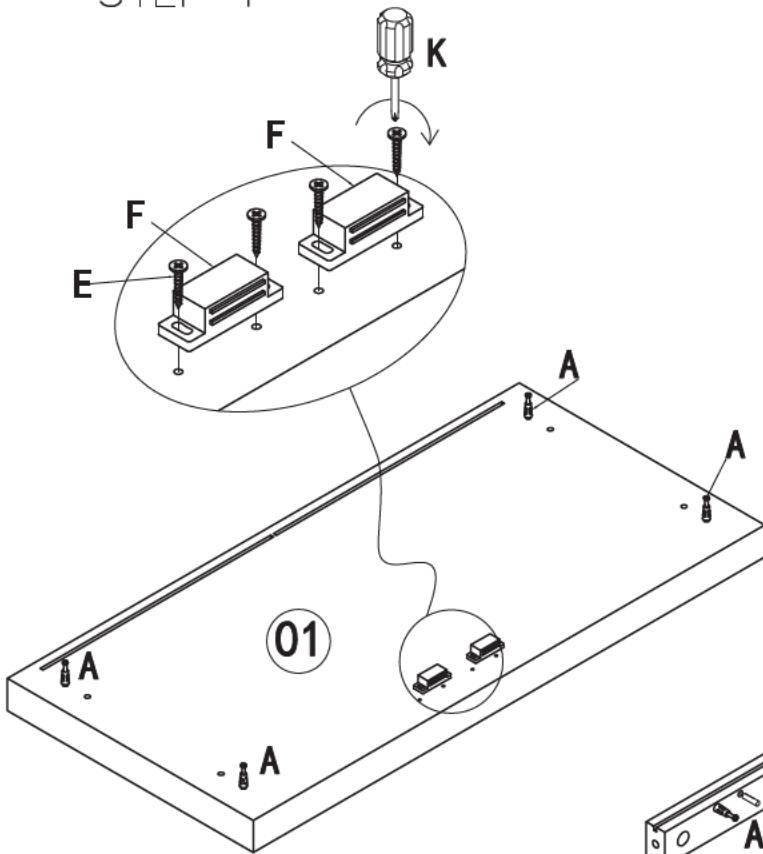
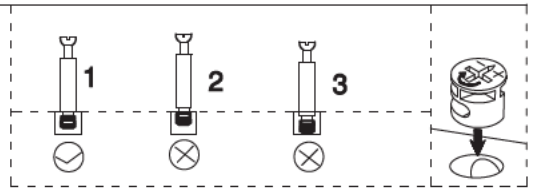
Parts & Hardware List

					
① *1pc	② *1pc	③ *1pc	④ *1pc	⑤ *1pc	⑥ *1 pc
					
⑦ *1 pc	⑨ *2 pcs	⑩ *1pc	⑪ *1 pc	⑫ *1 pc	⑬ *1 pc
					
⑭ *1 pc	⑮ *1 pc				

Hardware List

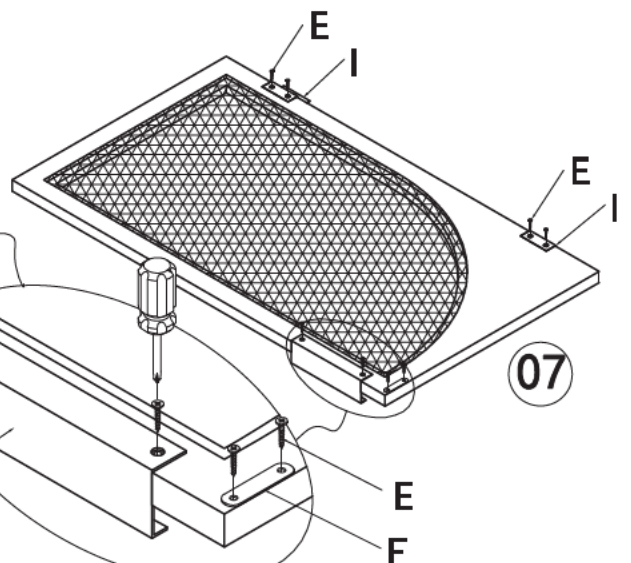
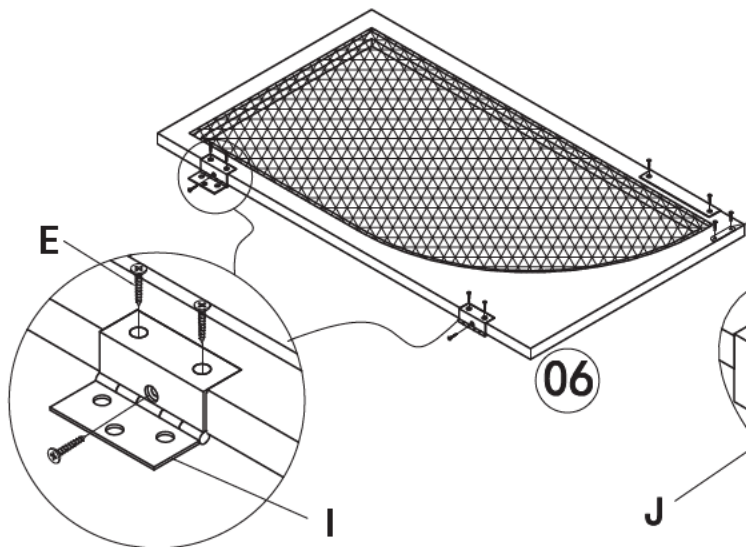
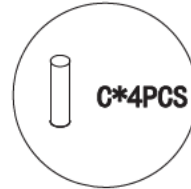
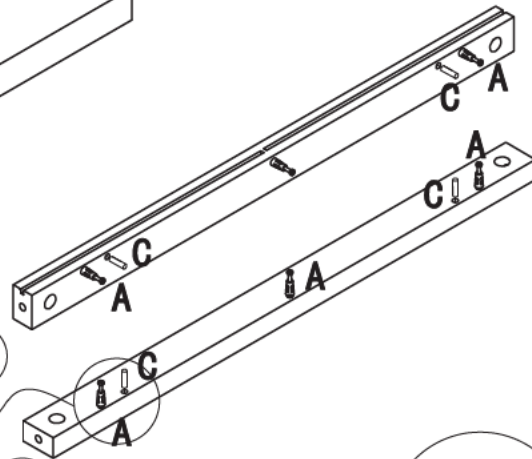
 M6*25	 φ15*9	 φ6*30		 3.0*14	 45*15
A*34pcs	B*34 pcs	C*20 pcs	D*2 sets	E*44pcs	F*2 pcs
	 φ5				
G*8 pcs	H*4 pcs	I*4 sets	J*2 pcs	K*1 pc	

STEP 1

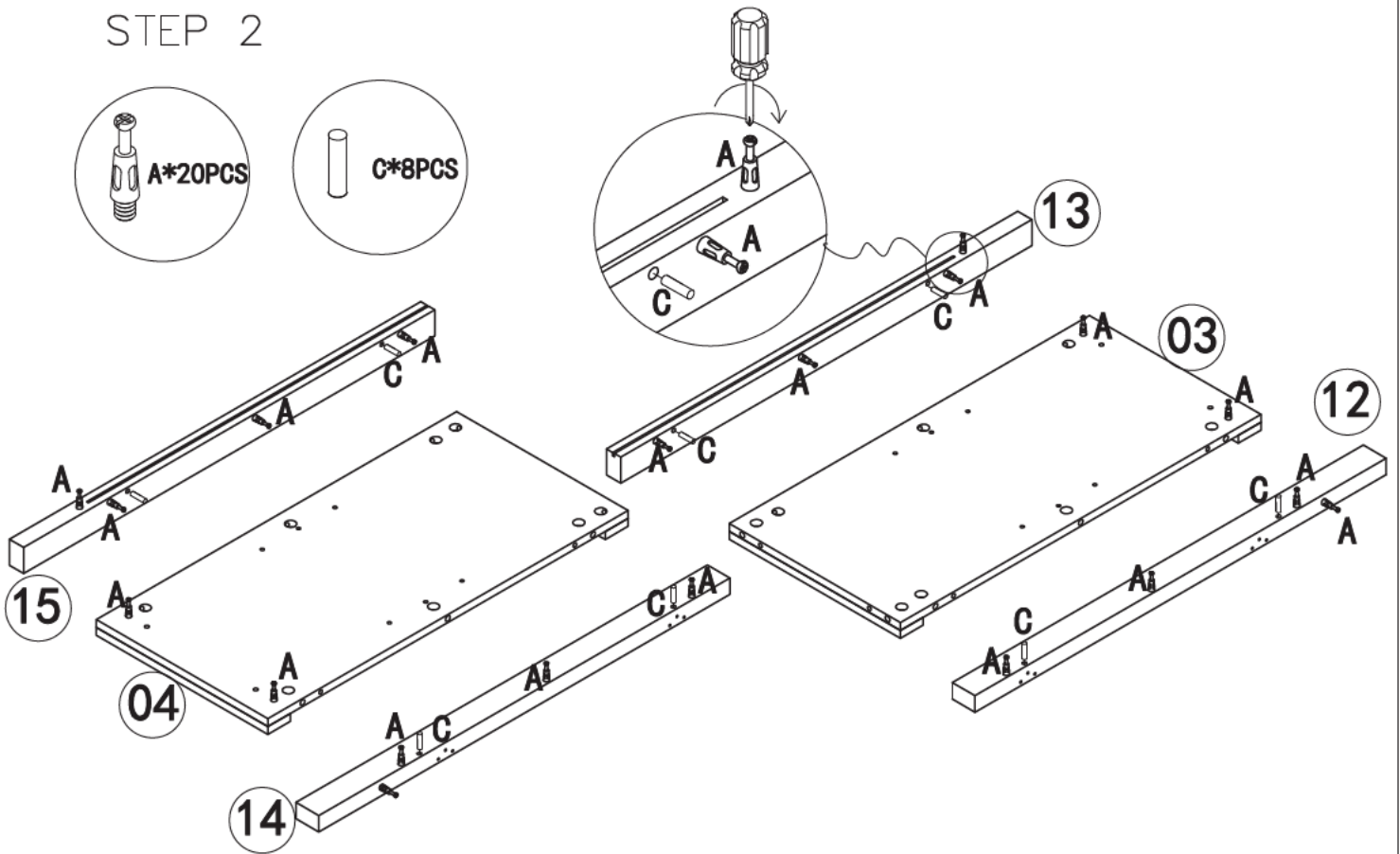


11

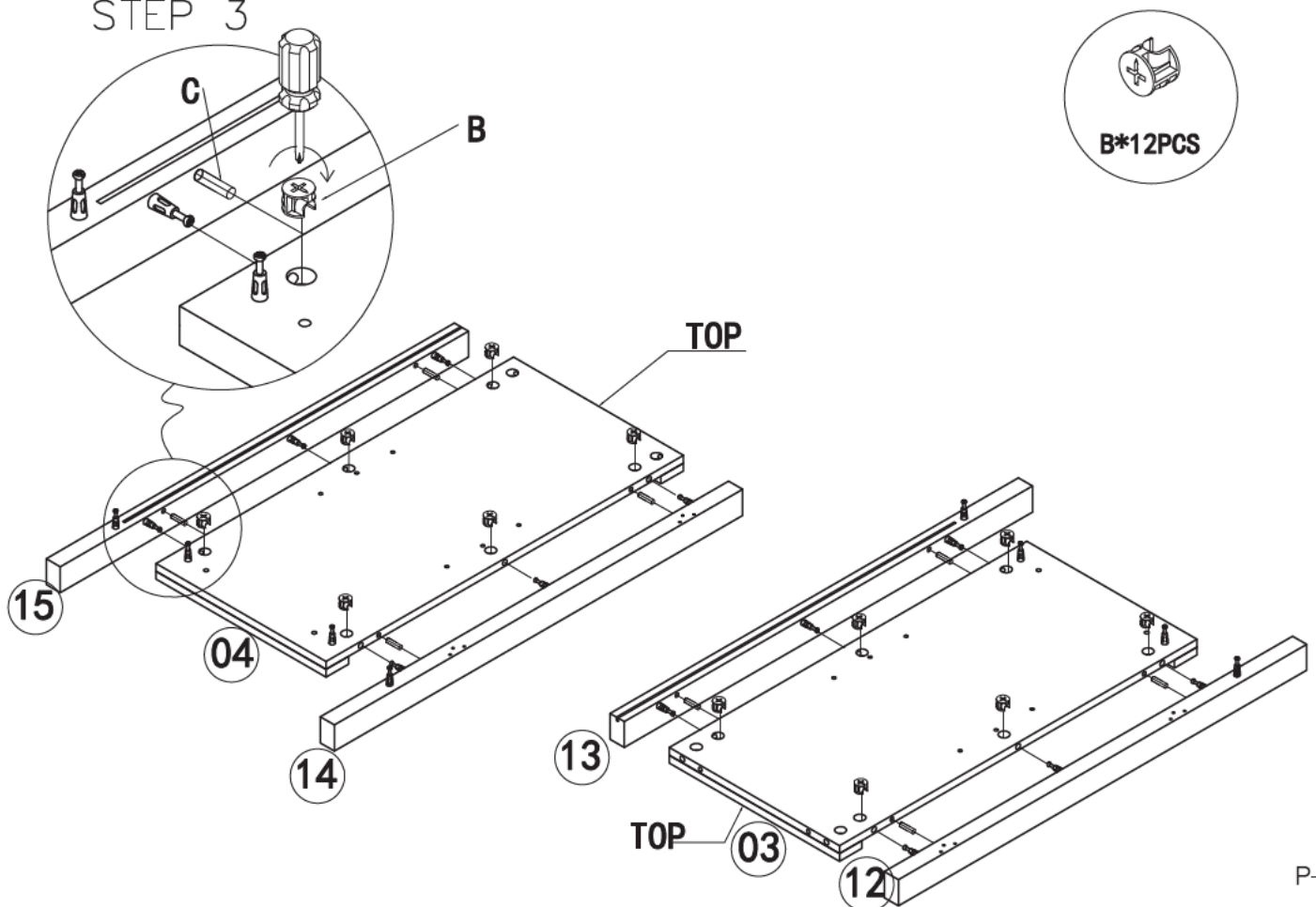
10



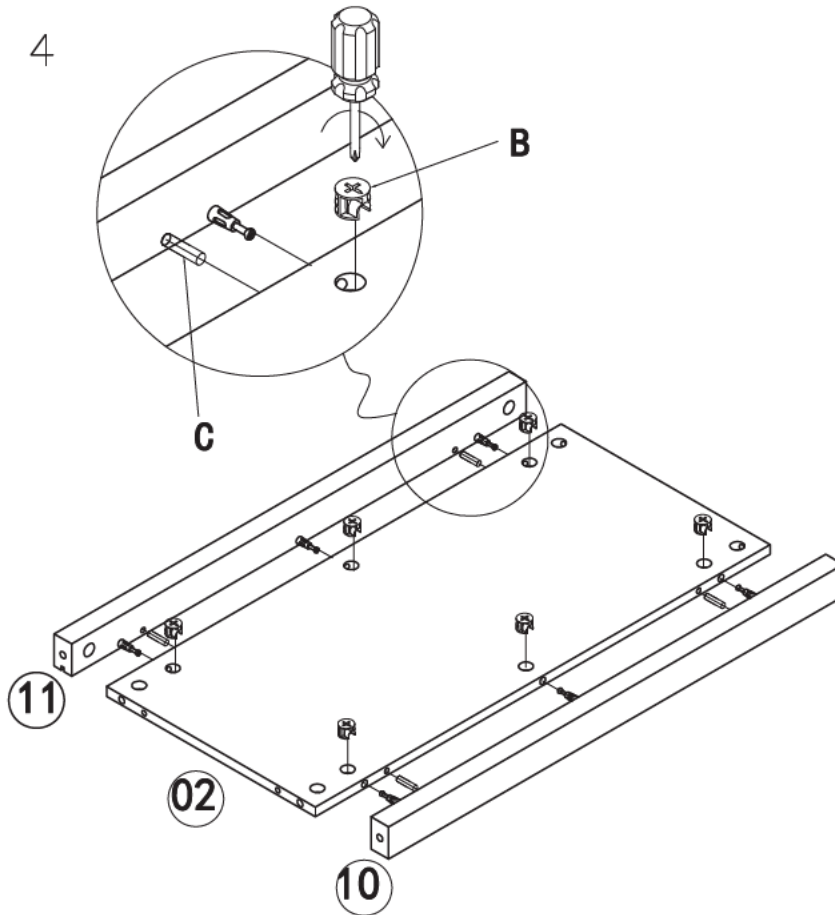
STEP 2



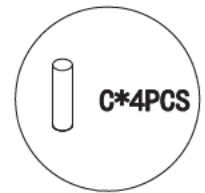
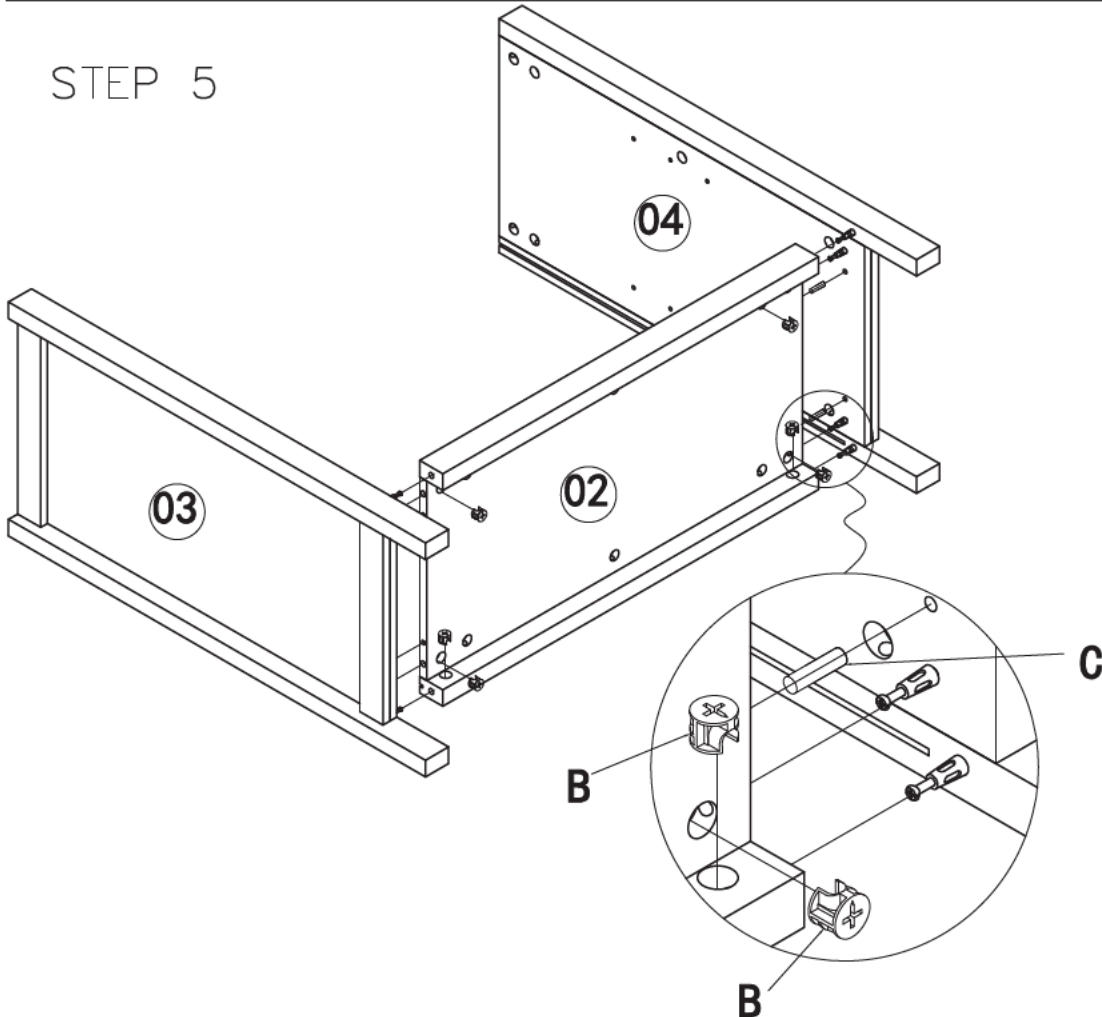
STEP 3



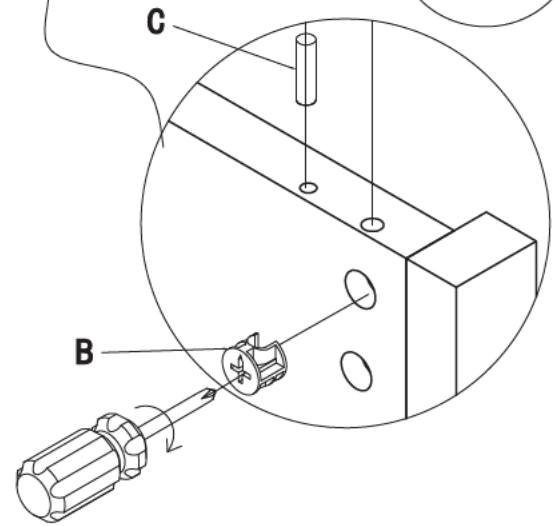
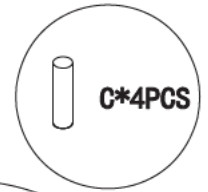
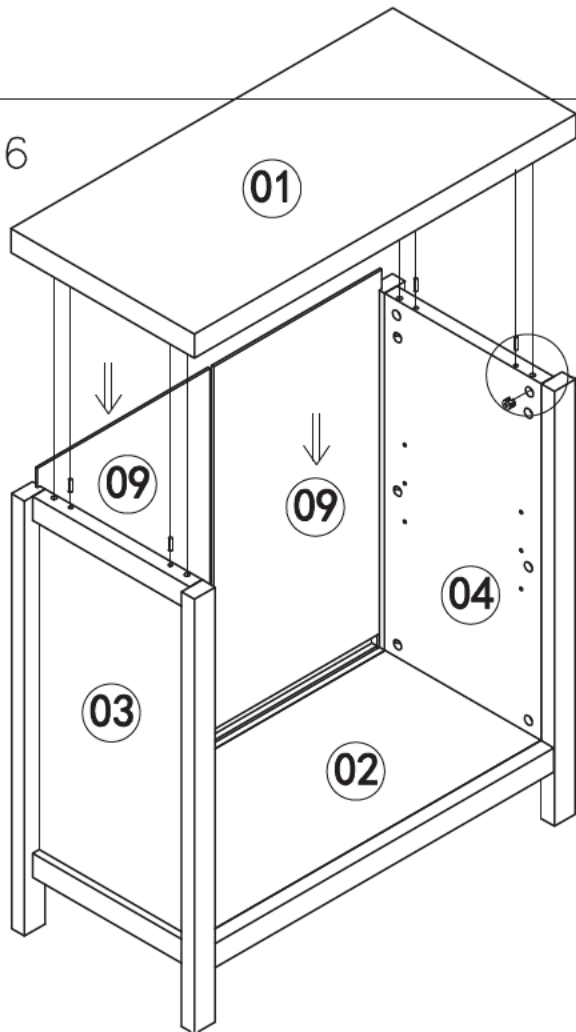
STEP 4



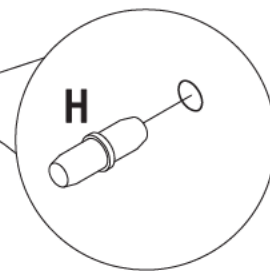
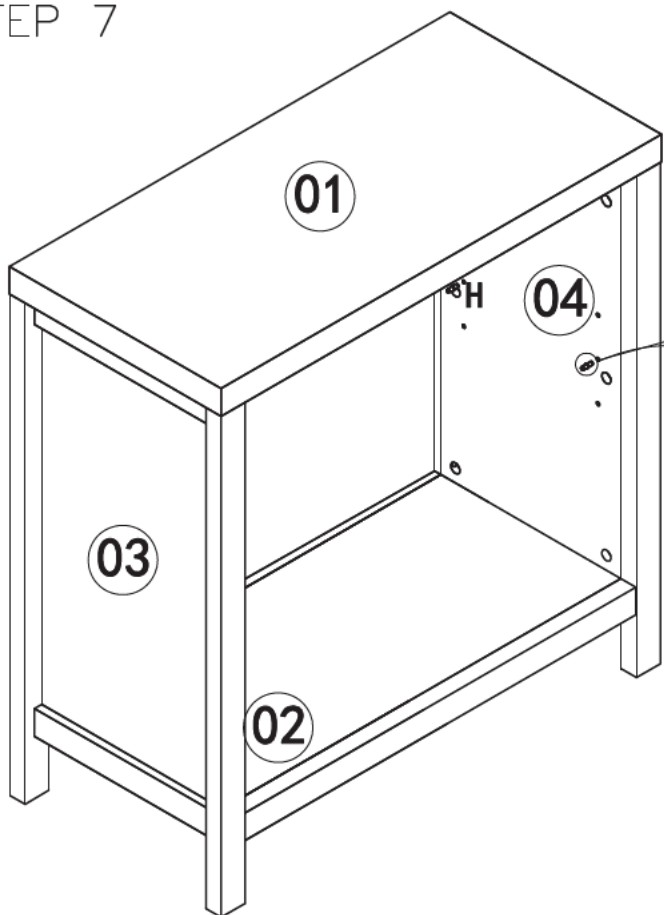
STEP 5



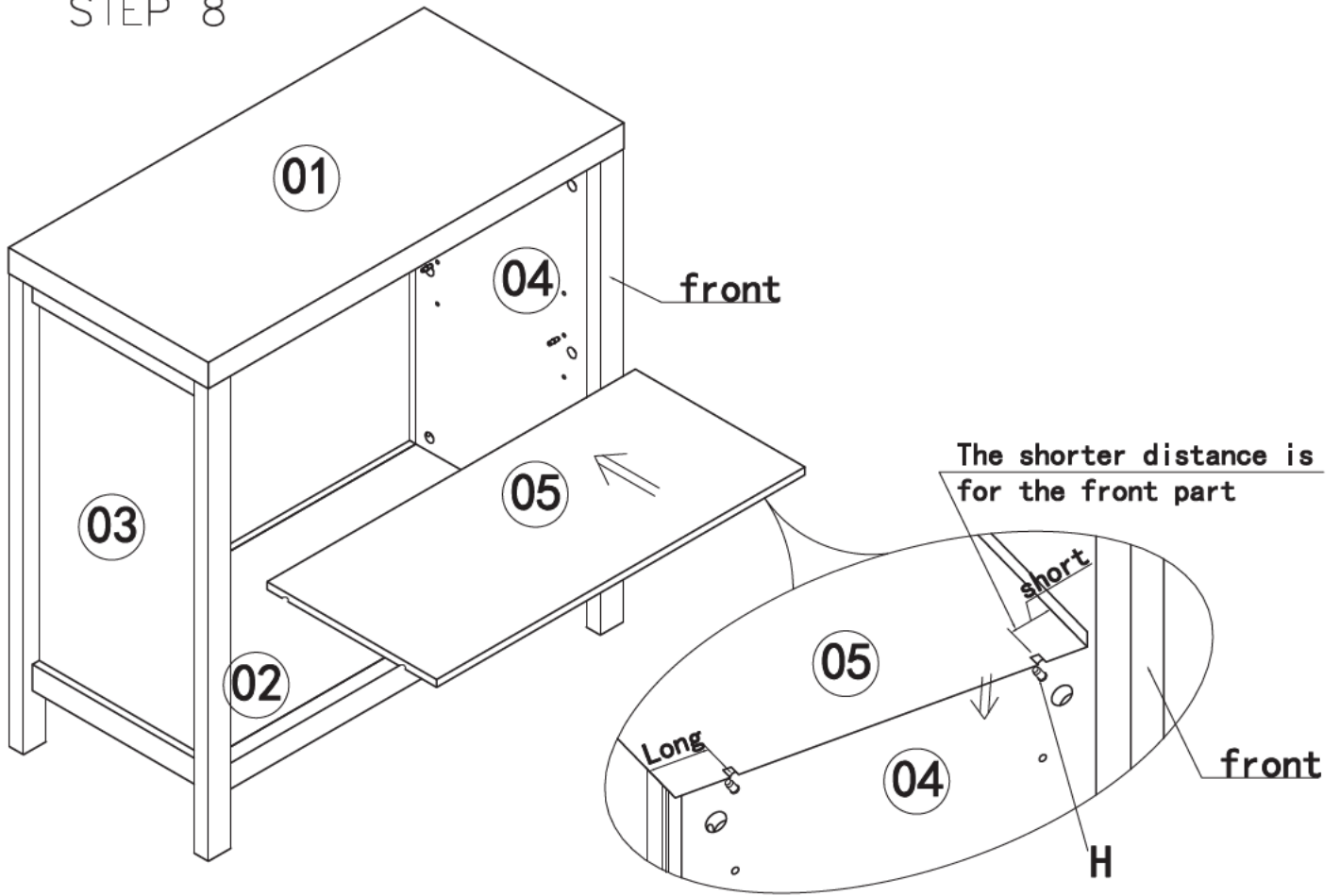
STEP 6



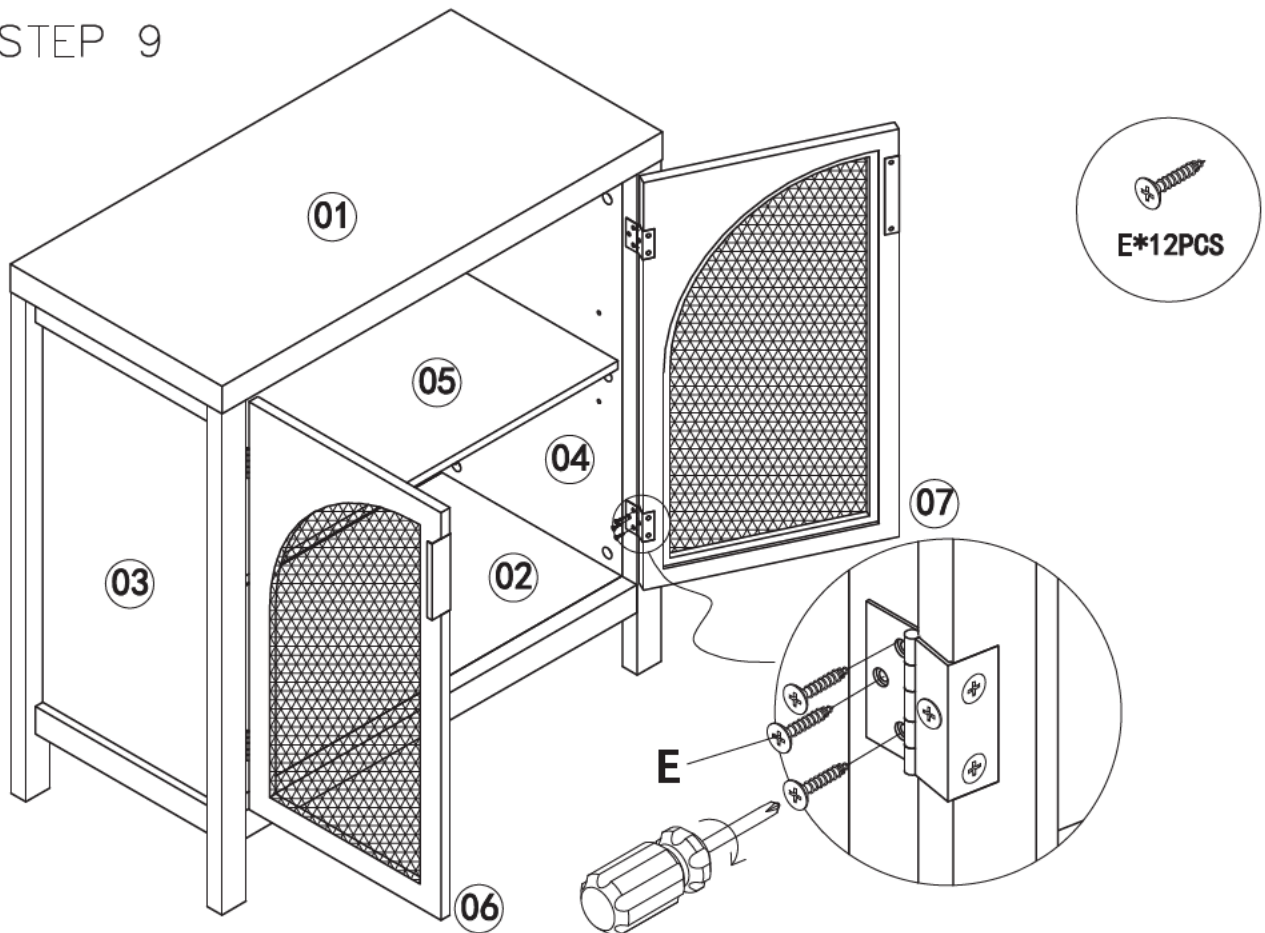
STEP 7



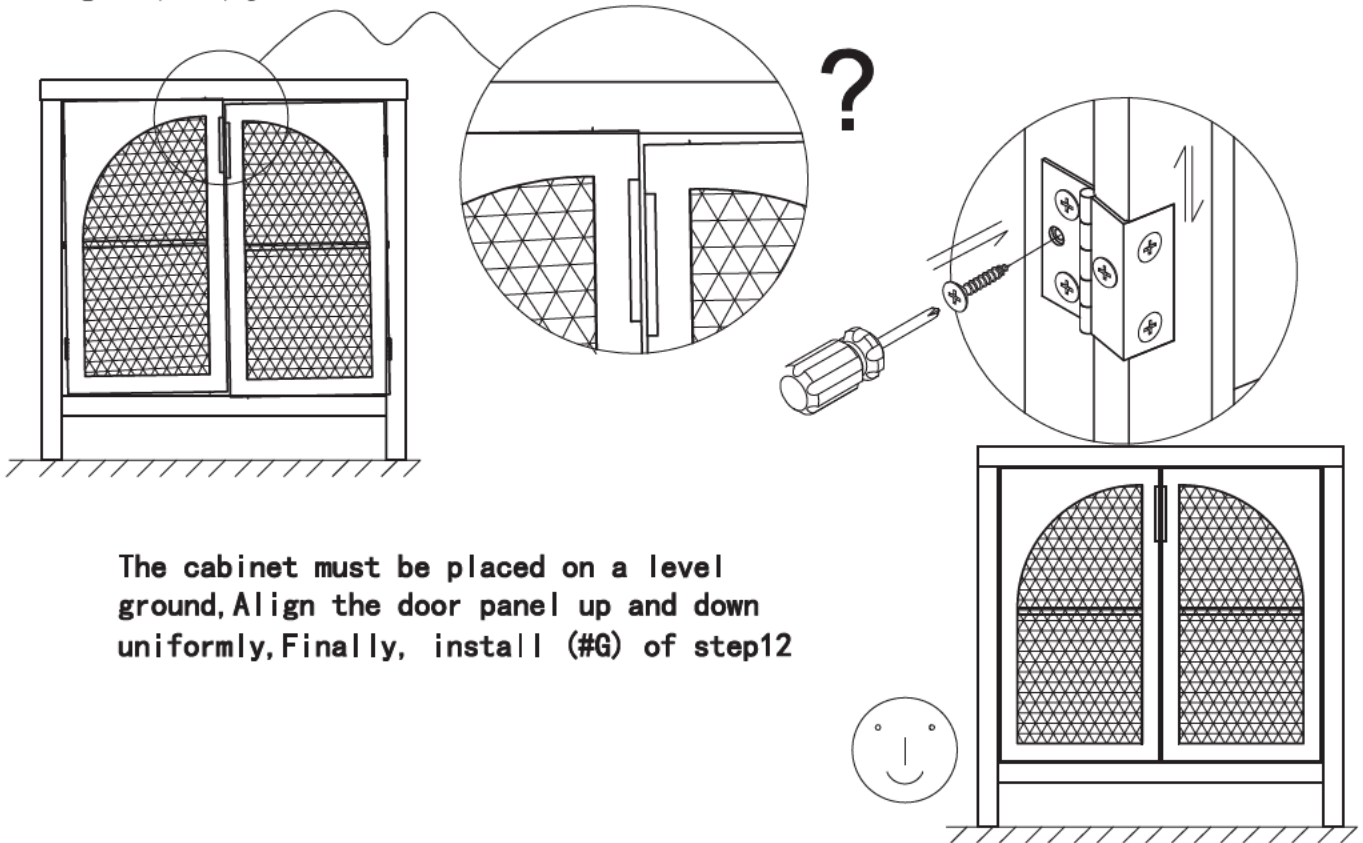
STEP 8



STEP 9



STEP 10



The cabinet must be placed on a level ground, Align the door panel up and down uniformly, Finally, install (#G) of step12

STEP 11

