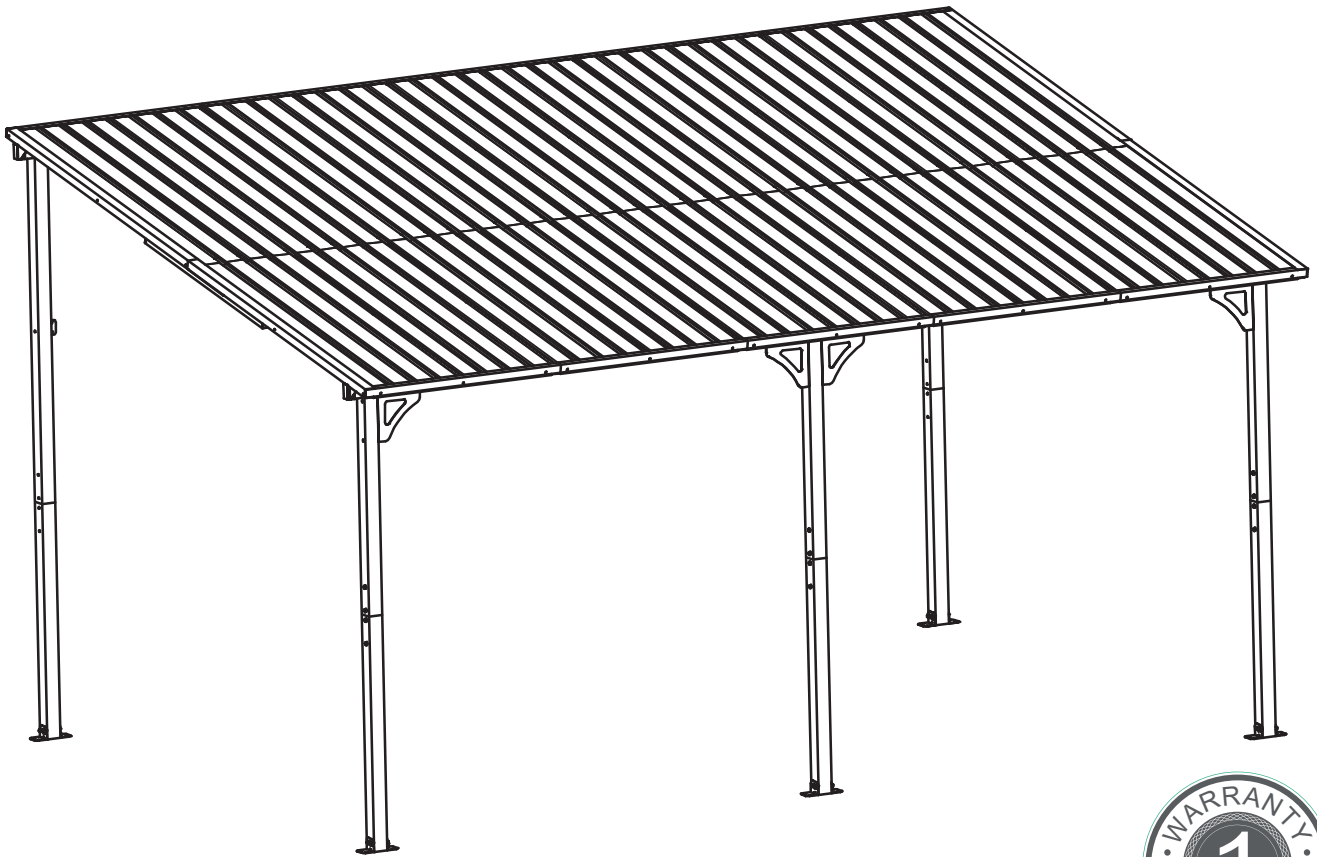


sku:GZXD1014N

10*14FT Gazebo



Thank you for choosing us!

Our goal is to provide high quality outdoor furniture with outstanding customer service-all at an affordable price.

Please let us know how we are doing!

Problems?

(Missing pieces, wrong pieces...)

We will fix it immediately. Send us an email at

aftersaledirect@gmail.com.

Happy?

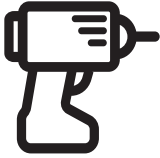
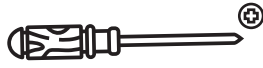



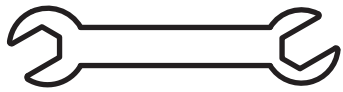
Please leave us a review!

You can make others happy too!



The product comes in two cartons. Please install after receiving all cartons.

Please prepare below tools before installation.

<p>Package not included</p>	 <p>Electric Screwdriver</p>	 <p>+ Manual Screwdriver</p>	 <p>Ladder</p>	 <p>Hardhat</p>
<p>Package included Tools</p>	 <p>Gloves X 1 Pair</p>		 <p>Spanner X 1</p>	

ATTENTION:

Please read this instruction carefully before installation and follow it strictly during installation. Ensure that there are no problems later due to installation errors.

Installation Notes

Keep all children and pets away from assembly area.

Do not assemble the product in days of wind or rain.

You must schedule enough time to complete the assembly.

Please check the quantity of all parts before installation (Please refer to the Parts Lists) and the appearance of the products. Please make sure the product is correct before installation. If there is any problem, please contact us directly.

Make sure the colored panels are facing outwards and all the holes match. The panels are textured, please install the panels in the order specified in the instructions. All lines and holes must be accurately matched to make the gazebo more stable. Please ensure that all screws are tightened to prevent the product from falling apart.

There is a protective film on the surface to protect the product, please tear it off after installation to get the final presentation. If you do not damage the film during installation, it can also remain on the product to protect the product.



Safety Precautions

We recommend at least two adults to complete the installation. Two adults installed together will make the installation process easier and safer.

The gloves must be carried to prevent hand cuts during installation.

Take care when using power tools near water the use of a residual current device (RCD) is advised. Please use the electric driver carefully during screwing to prevent the screw from slipping and hurting your hand. (We recommend that beginners use a manual screwdriver for installation.) Be careful not to fall when installing the roof. Please steady the ladder and make sure the product placed on a flat ground.

Check all screws for tightness before and during usage of the unit. Tighten the screws at least twice a year.

Care and Cleaning

For cleaning: use a domestic soap or a soft detergent and wash with warm water using a sponge or fabric cloth. Rinse with clean water.

Snow must always be removed from the roof of the unit.

Do not hang any items to the structure.

Disposing of the packaging

The packaging consists of cardboard and correspondingly marked plastics that can be recycled.

– Make these materials available for recycling.

PLEASE KEEP THIS INSTRUCTION FOR FUTURE REFERENCE.

Carton 1/2 Component List

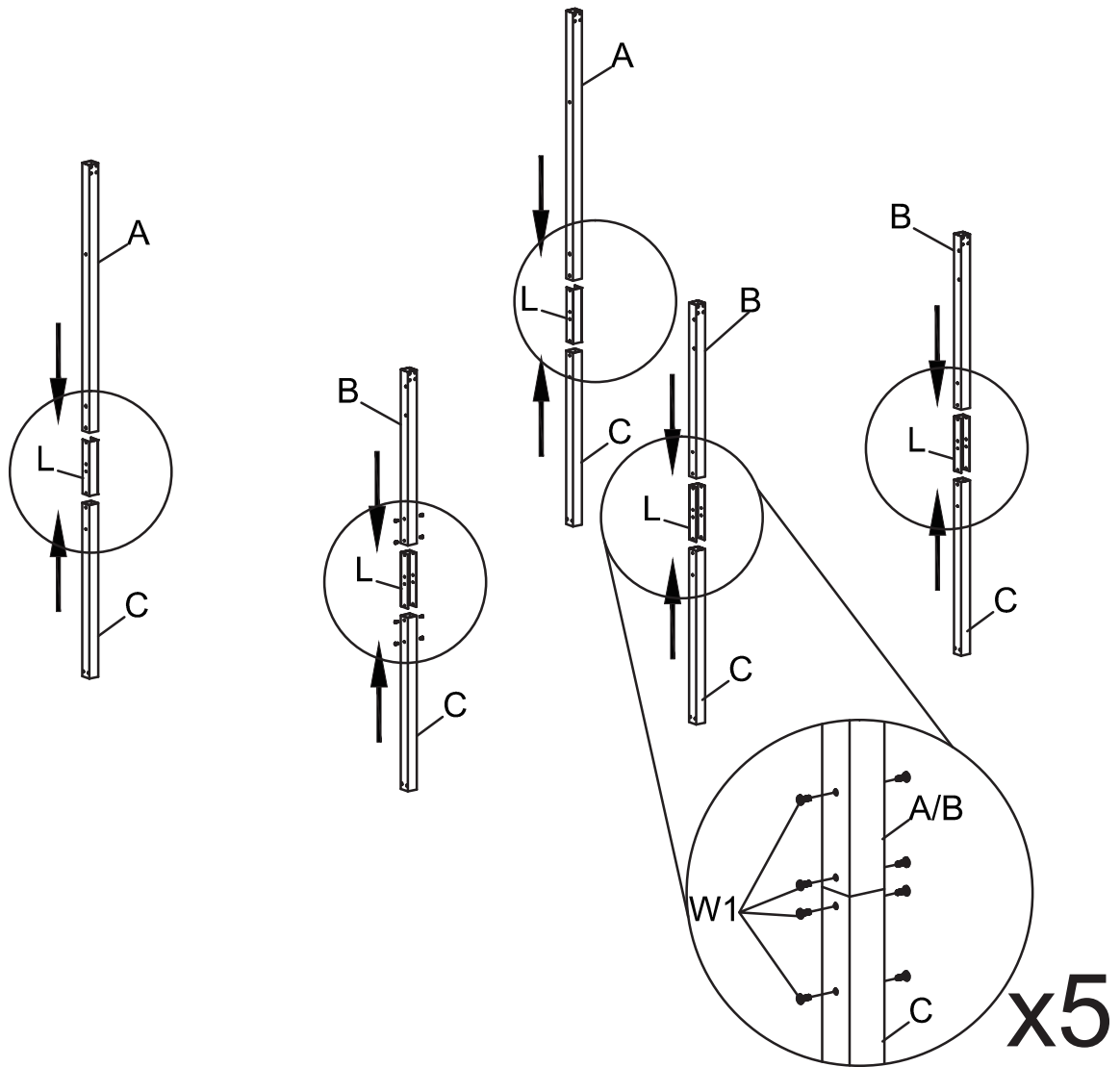
	A	2			O	2
	D	4			P	2
	E	6			K	10
	E1	6			K1	10
	F	4				

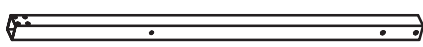
Carton 2/2 Component List

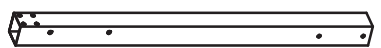
	B	3			W1	190
	C	5			W2	10
	D2	1			W4	12
	D3	1			X	85
	G	10			X1	90
	H	6			X2	85
	I	5			Y	20
	I1	20			Z	1
	L	5			Z2	20
	M	12			Z3	10
	N1	4			Z4	1
	Q	12			Z5	6
	S	6			T1	1
	U	4			T2	1
	V	12				

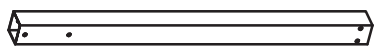
ASSEMBLY STEPS

1




 A x2

 B x3

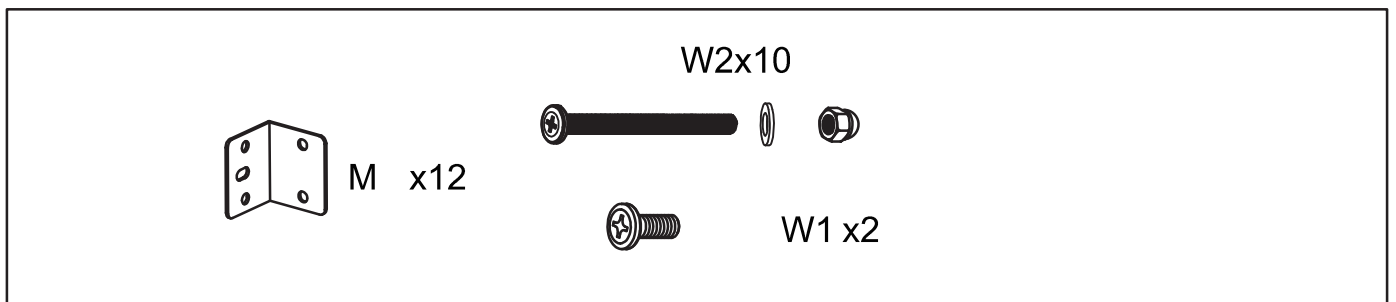
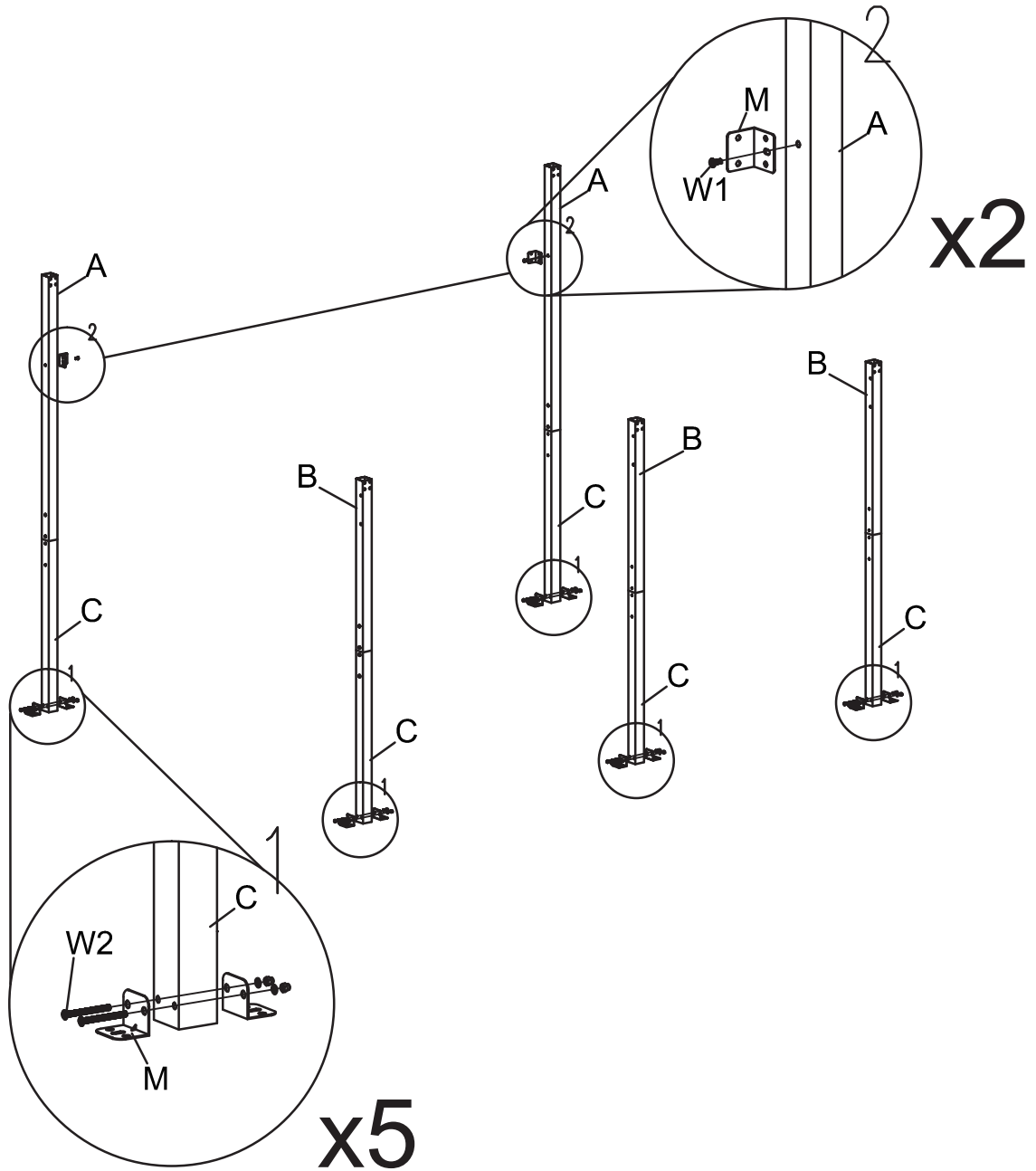
 C x5

 L x5

 W1 x40

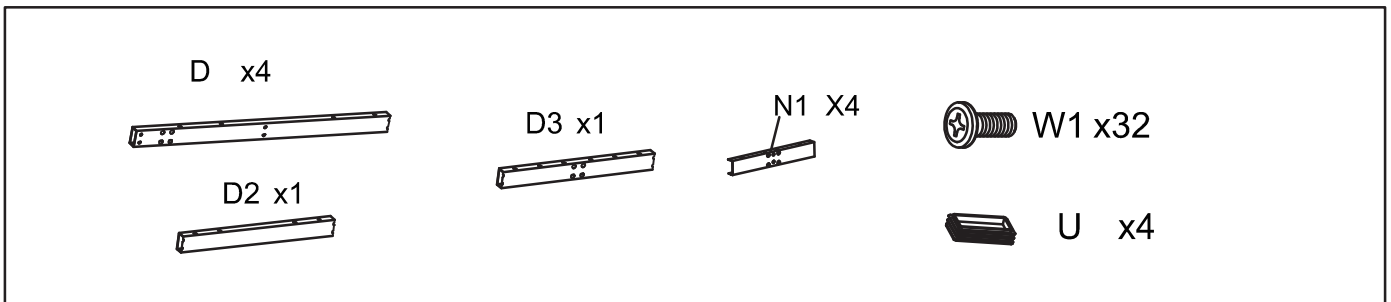
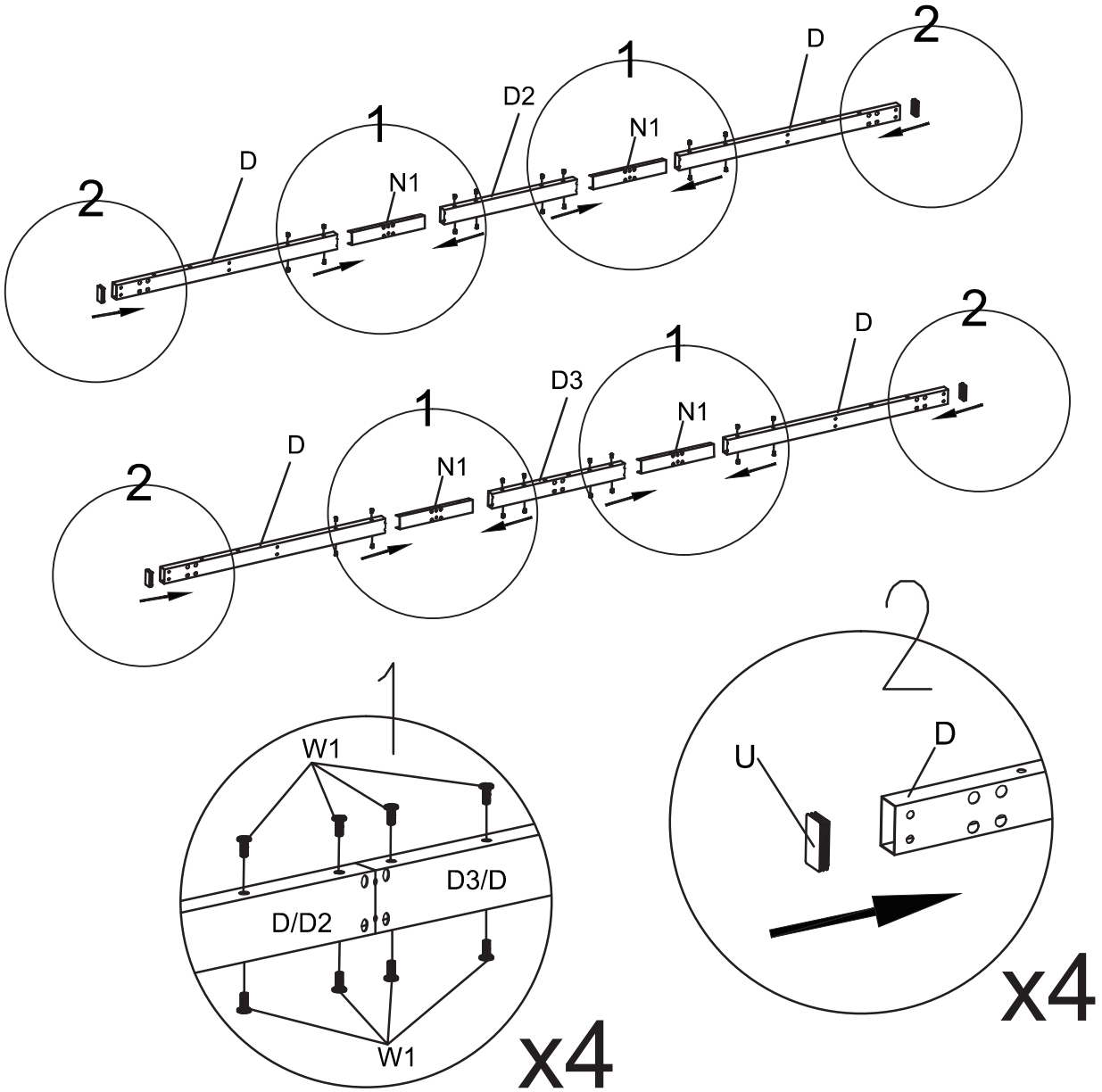
ASSEMBLY STEPS

2



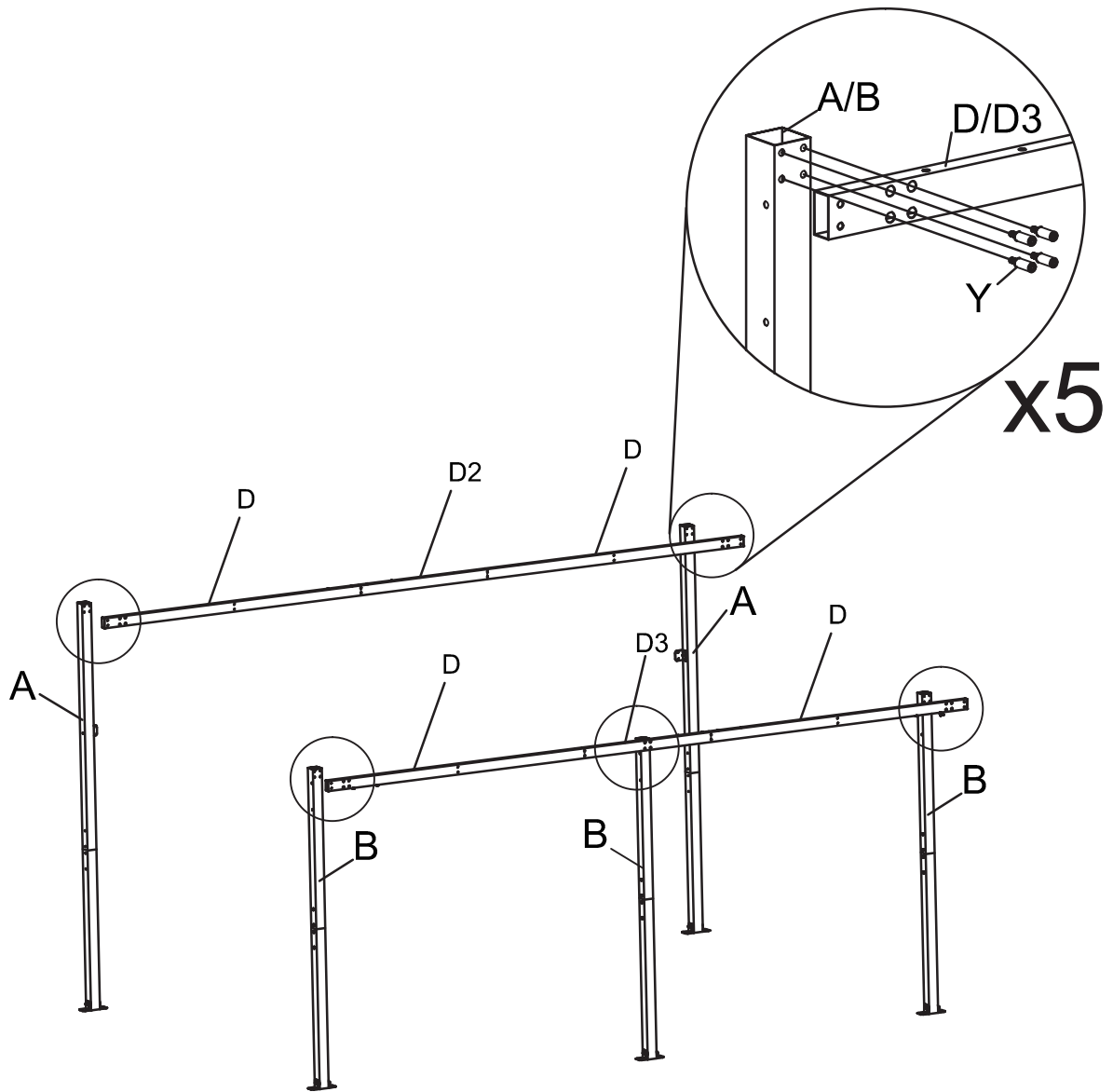
ASSEMBLY STEPS

3



ASSEMBLY STEPS

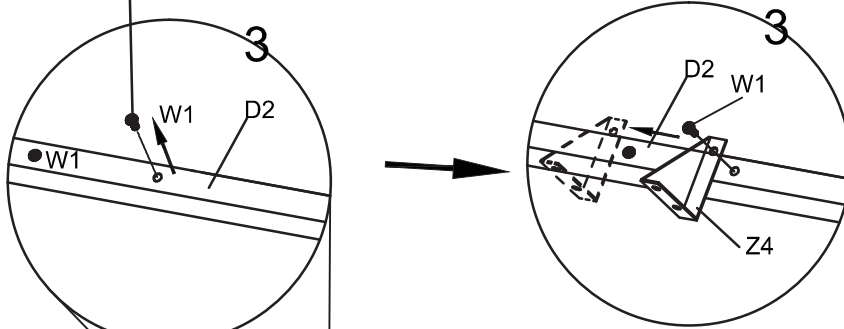
4



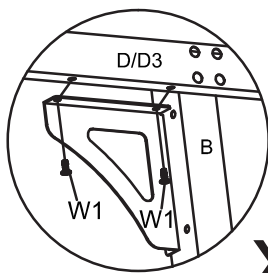
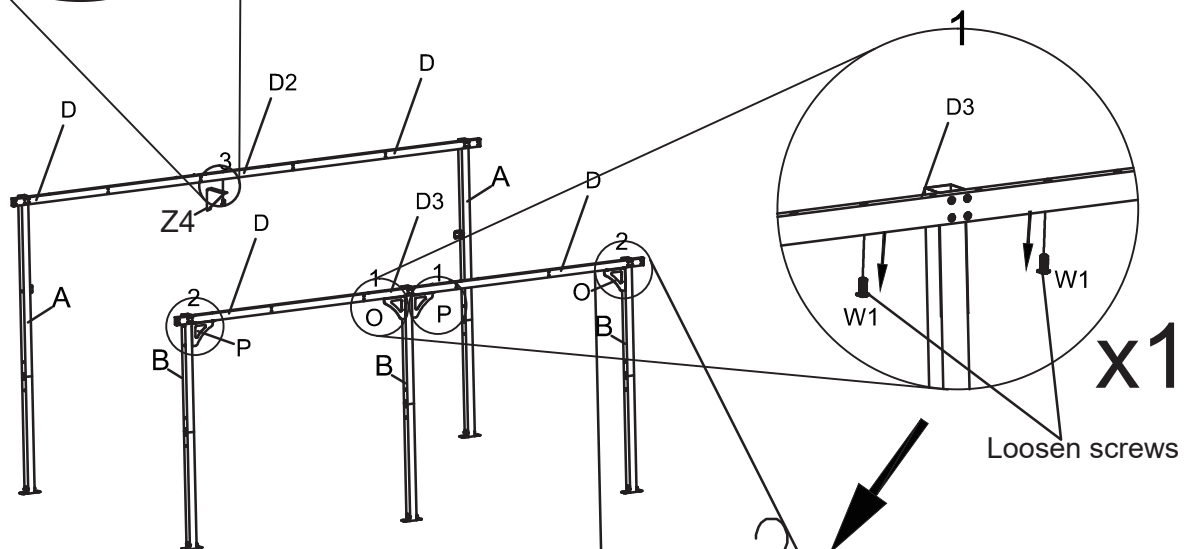
ASSEMBLY STEPS

5

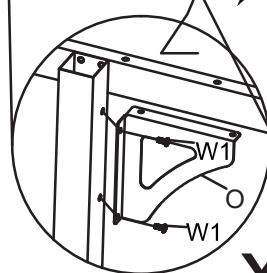
Loosen a screw



! The position of part Z4 can be adjusted.



x2



x2



O x2



P x2



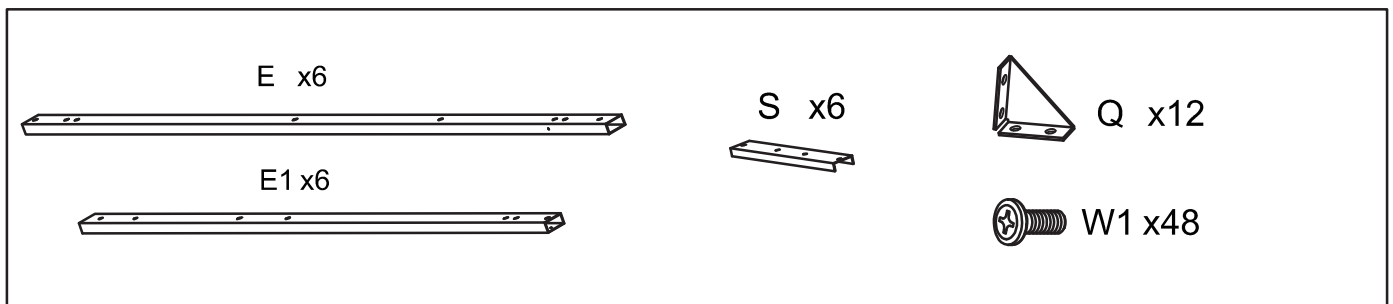
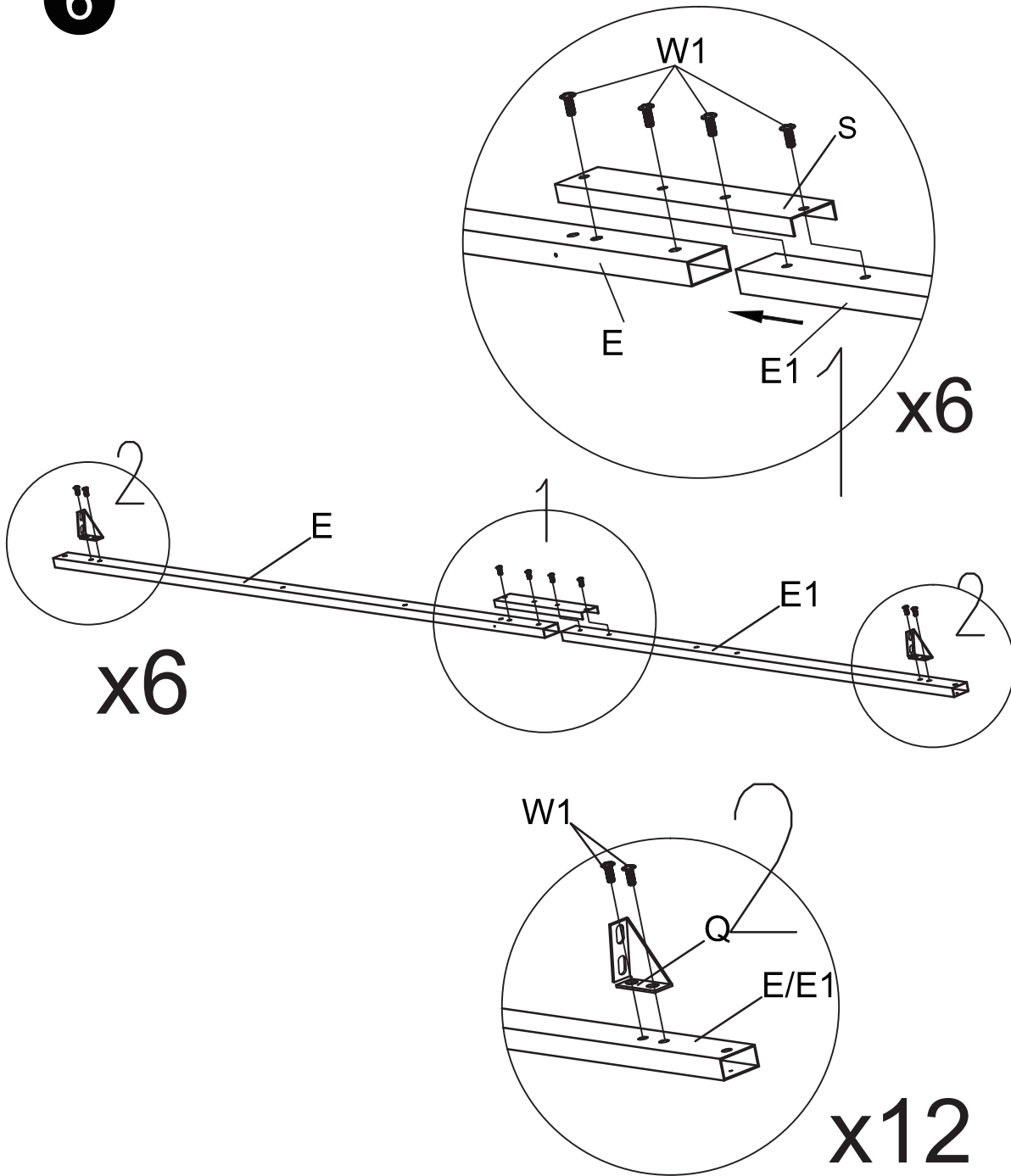
Z4 x1



W1 x14

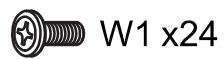
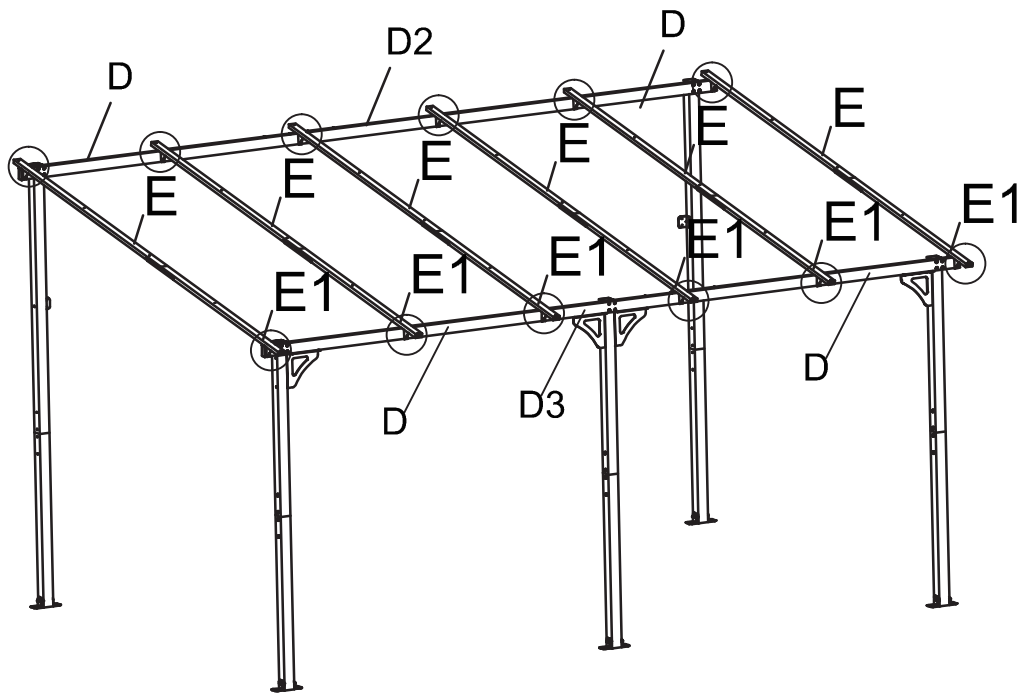
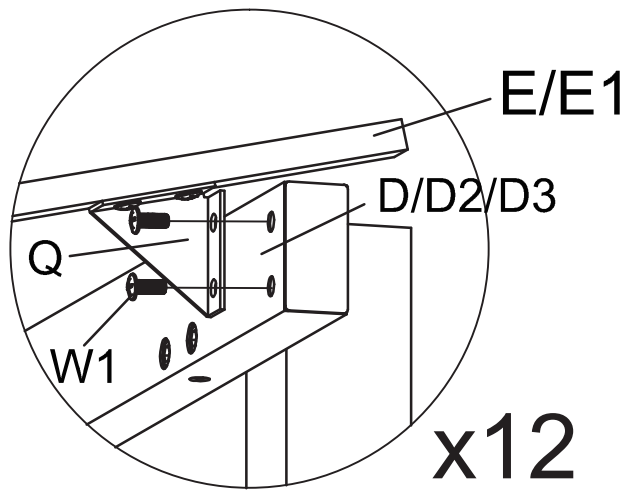
ASSEMBLY STEPS

6



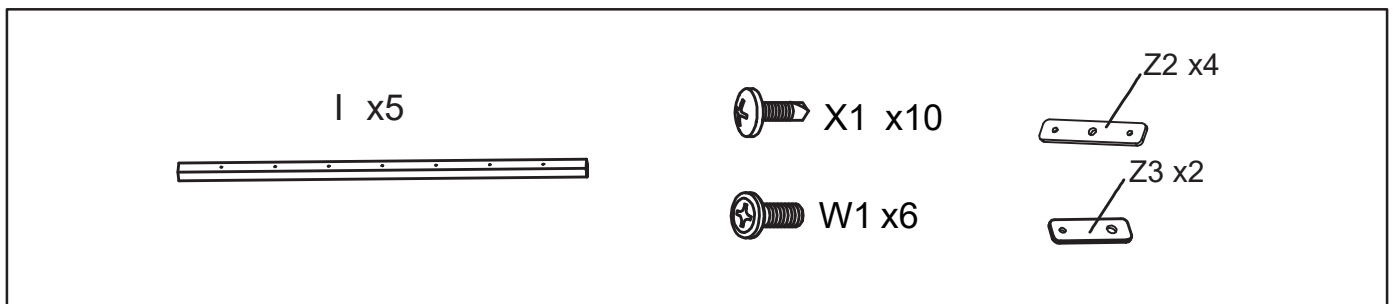
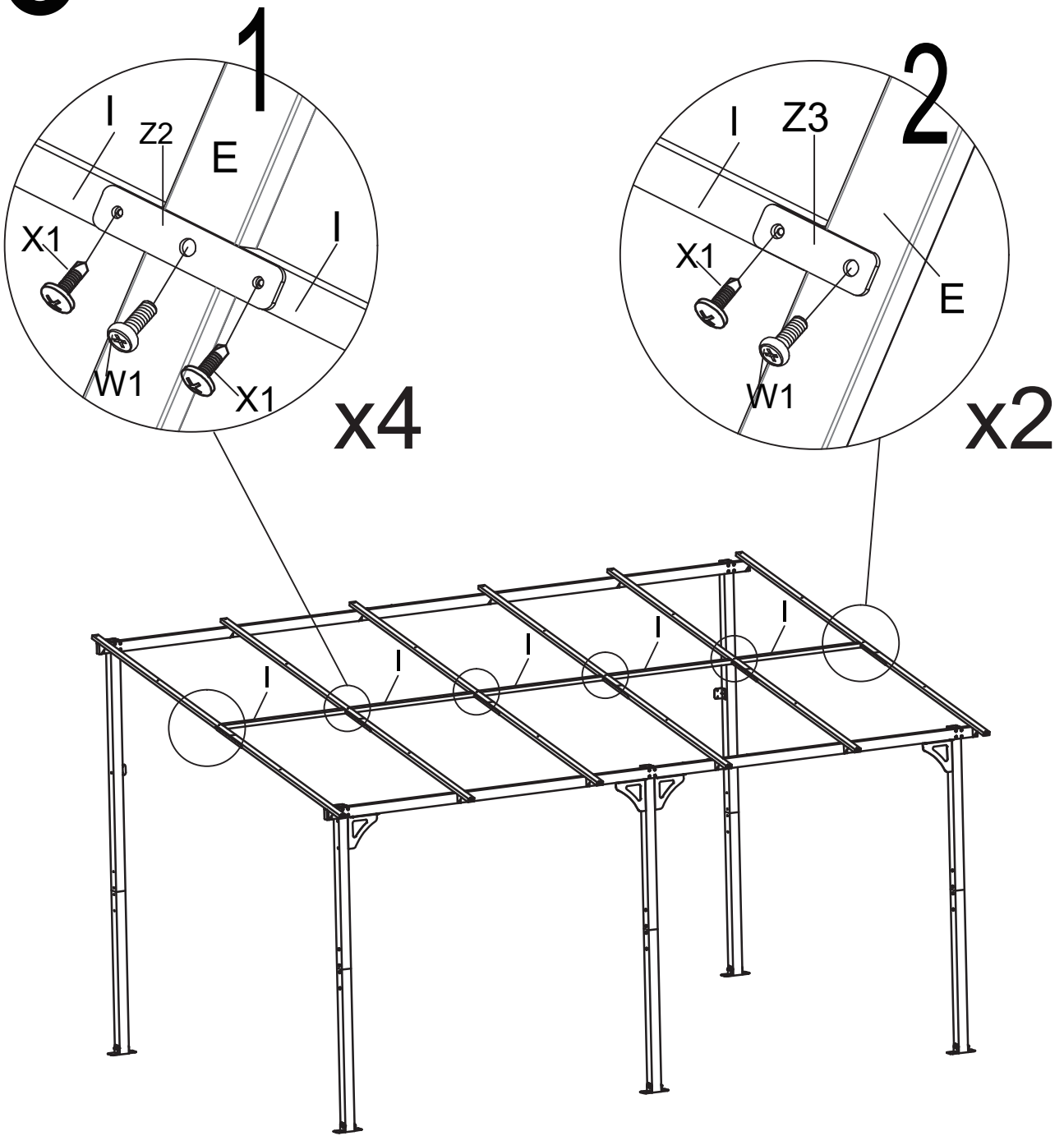
ASSEMBLY STEPS

7



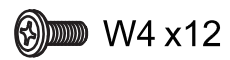
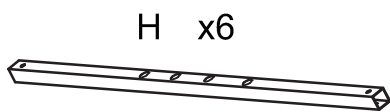
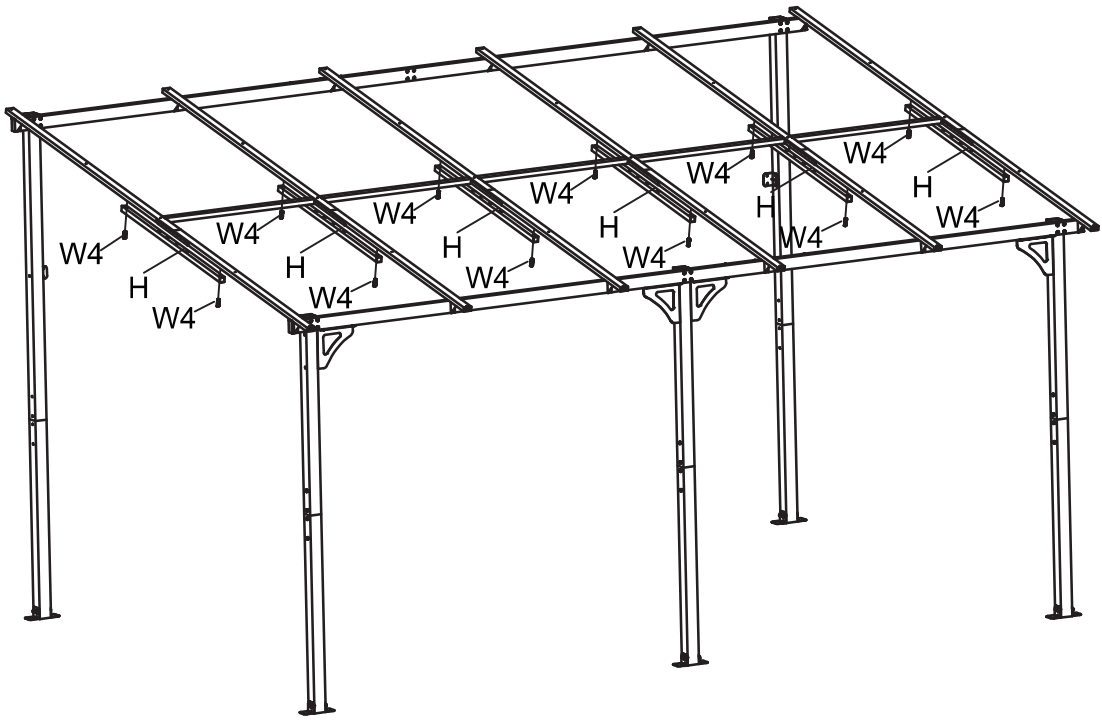
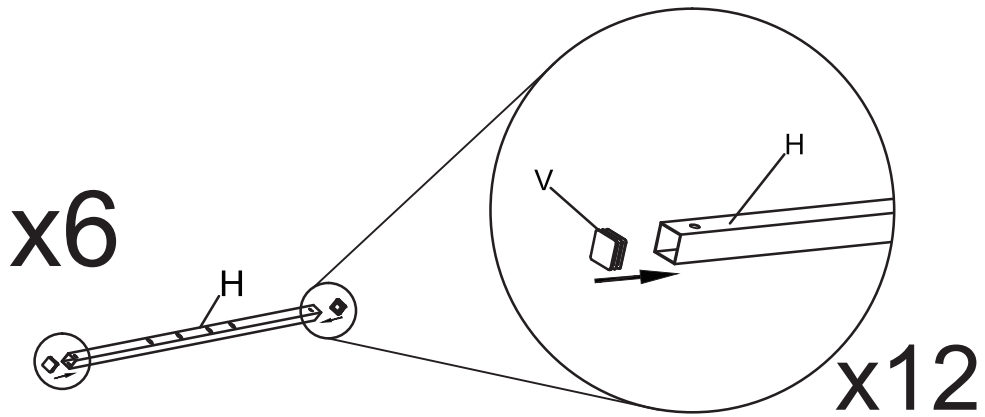
ASSEMBLY STEPS

8



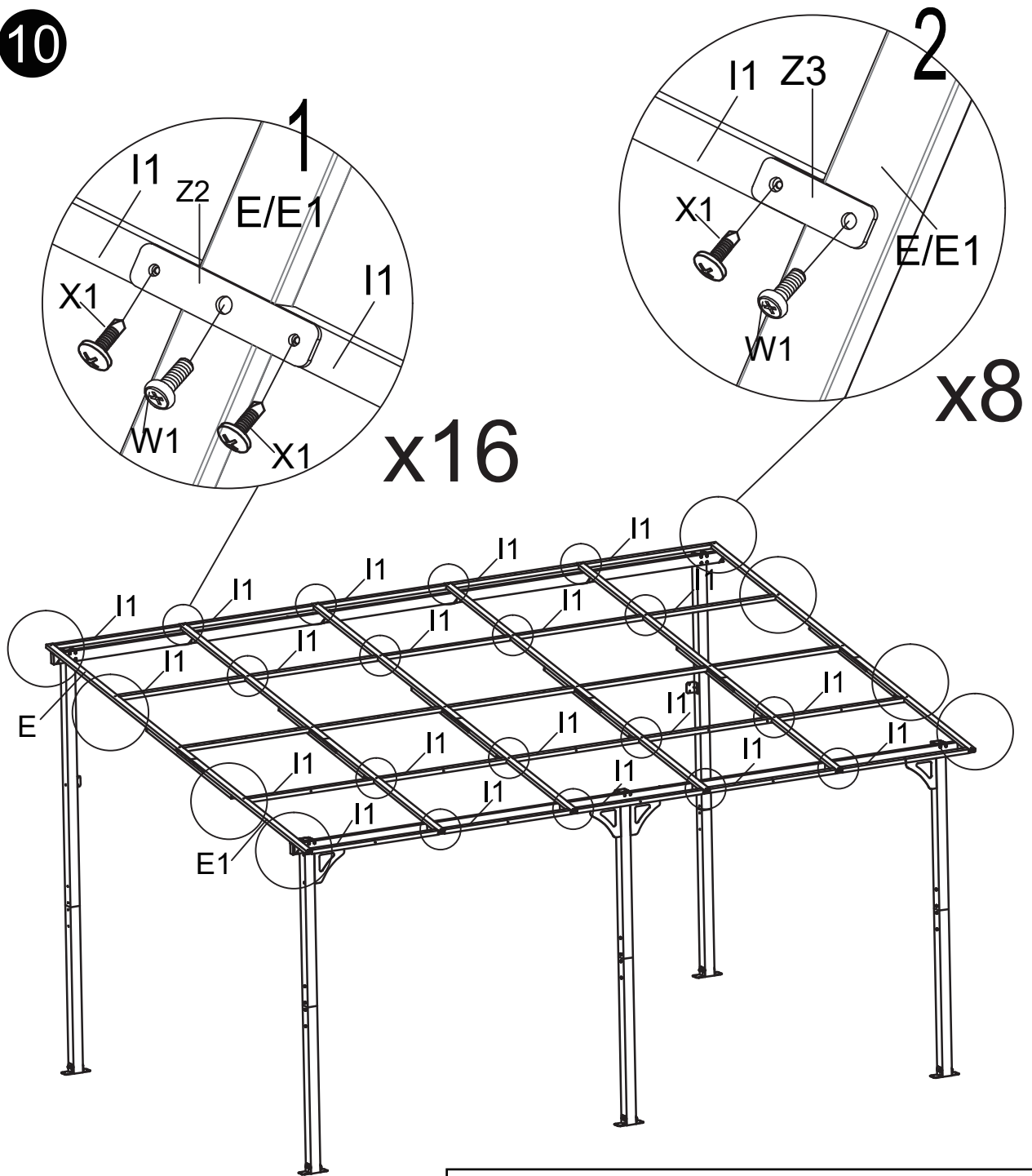
ASSEMBLY STEPS

9



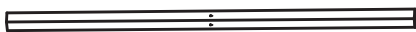
ASSEMBLY STEPS

10



Note: The side hole of I1 should be facing out.

I1 x20



X1 x40

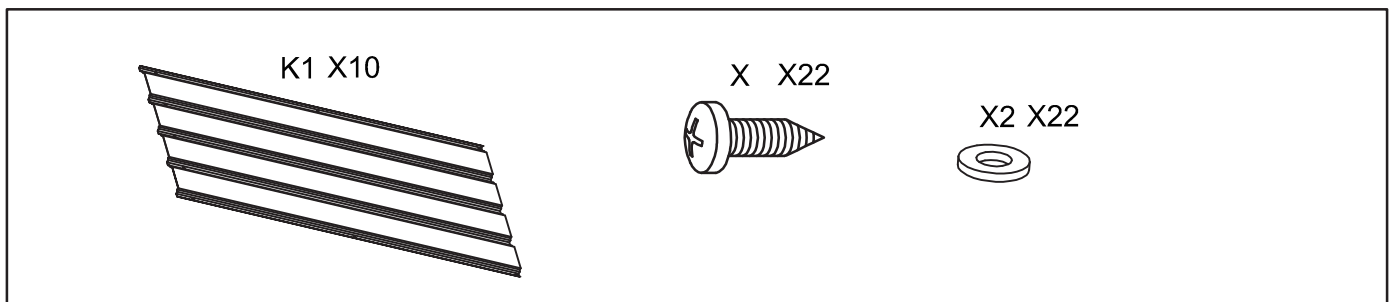
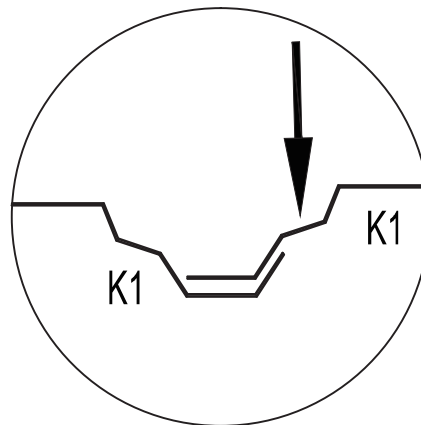
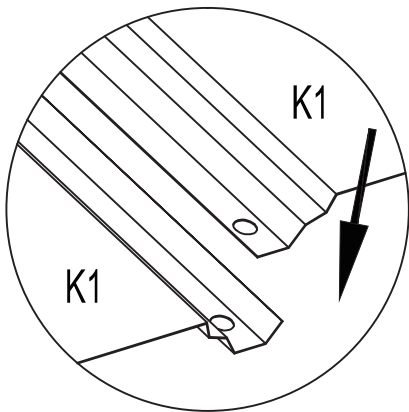
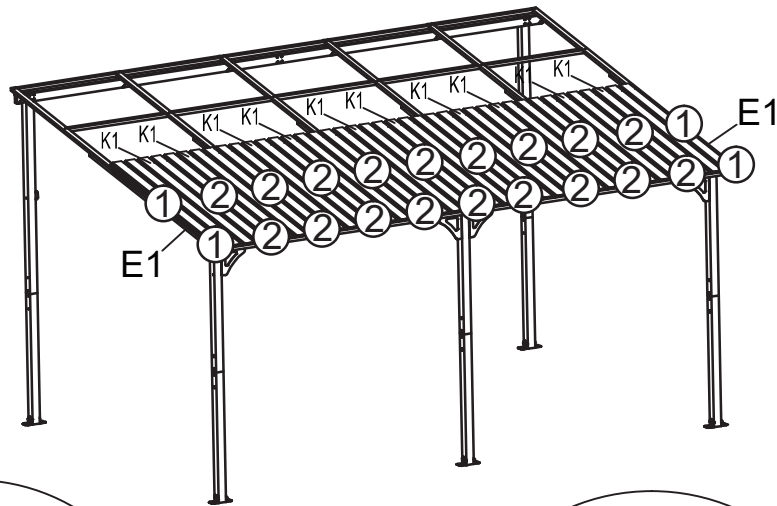
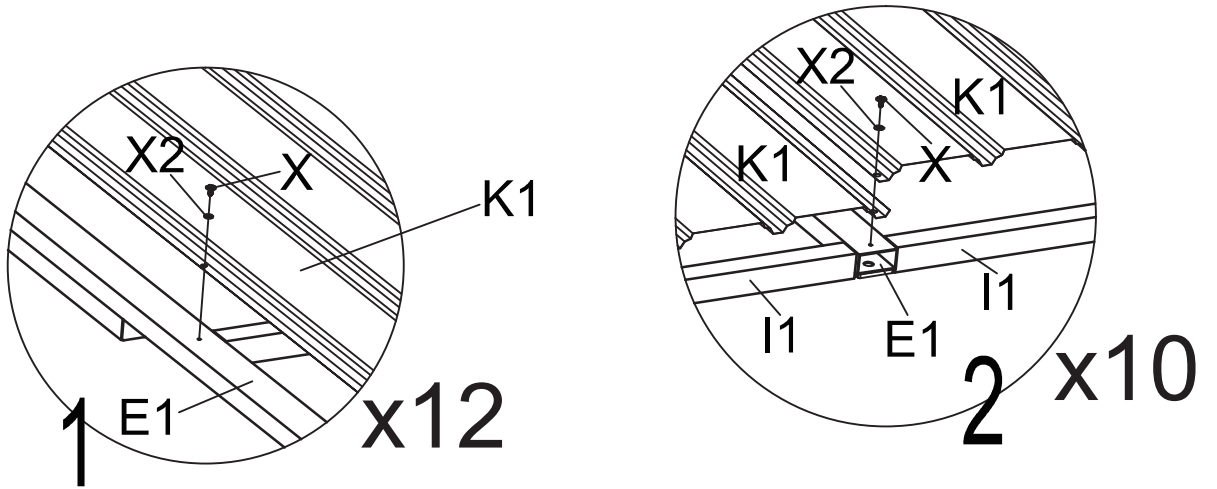
W1 x24

Z2 x16

Z3 x8

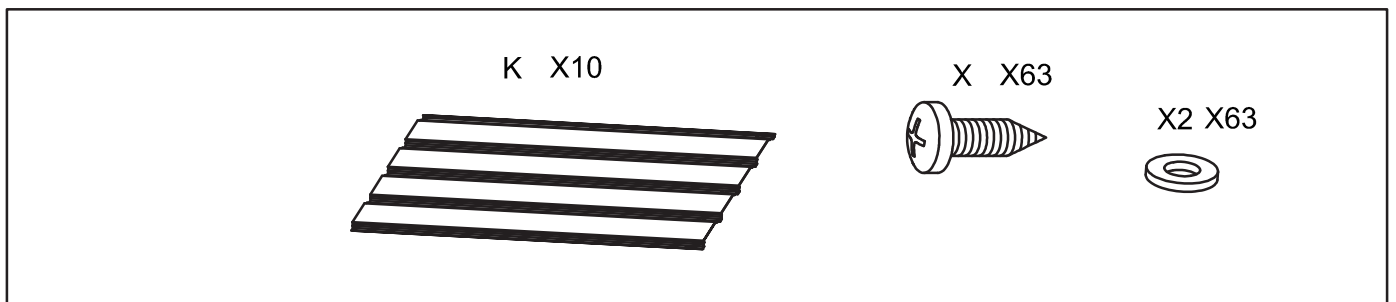
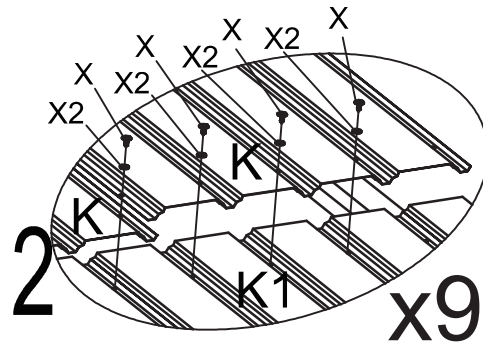
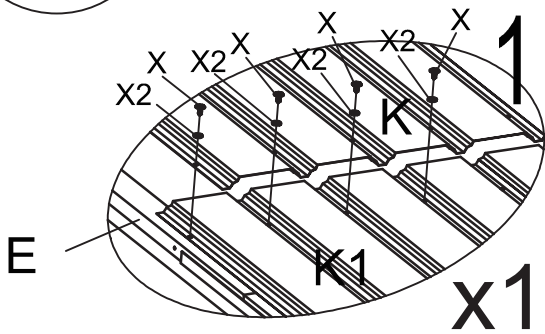
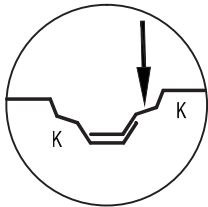
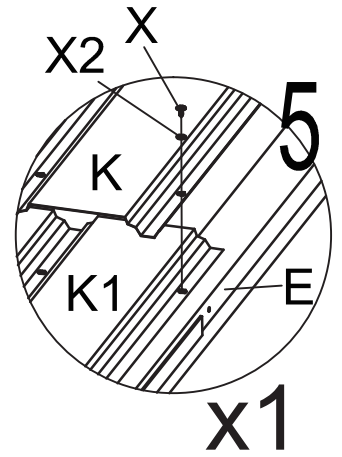
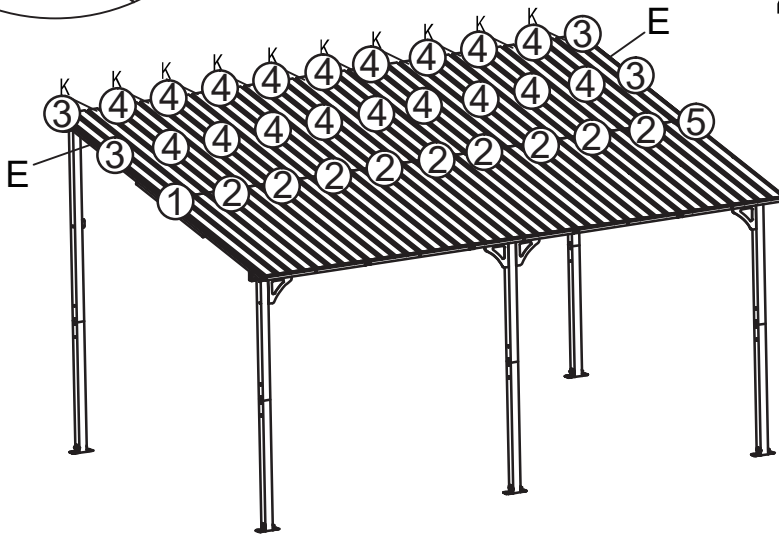
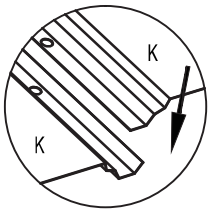
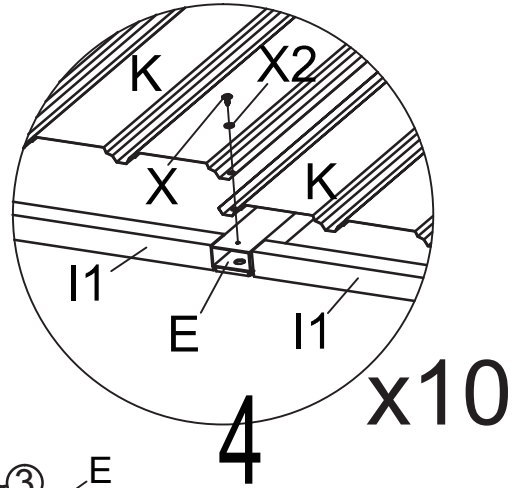
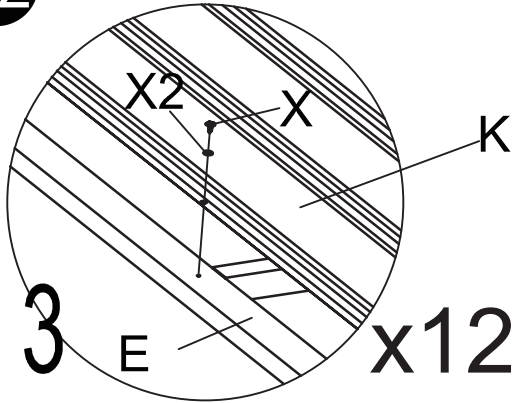
ASSEMBLY STEPS

11



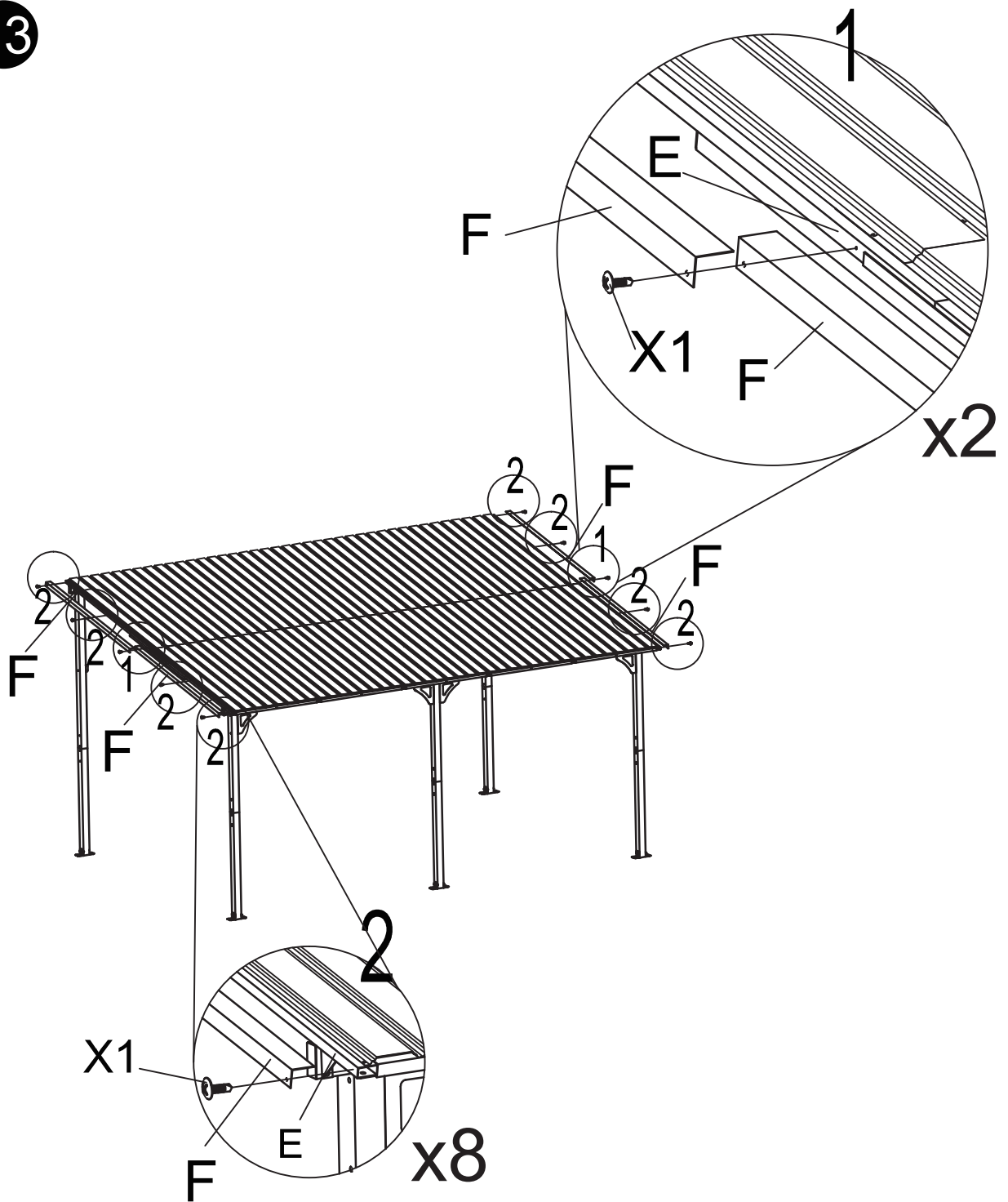
ASSEMBLY STEPS

12

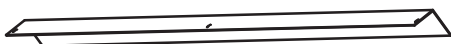


ASSEMBLY STEPS

13



F x4

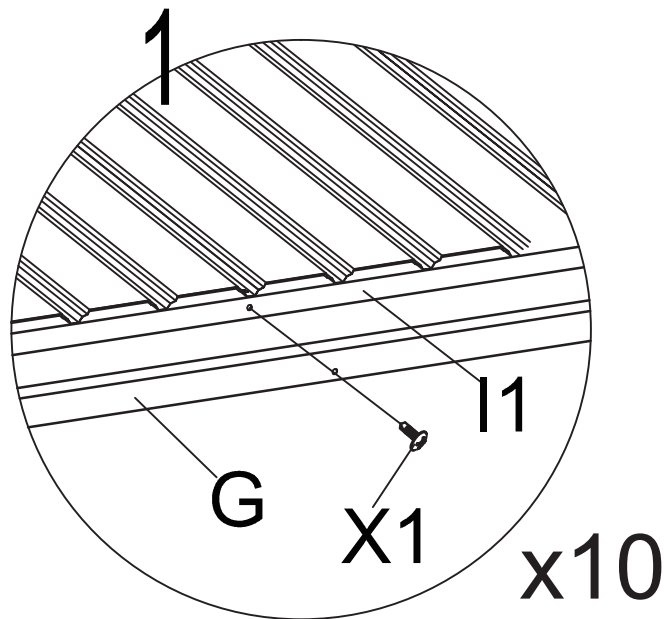
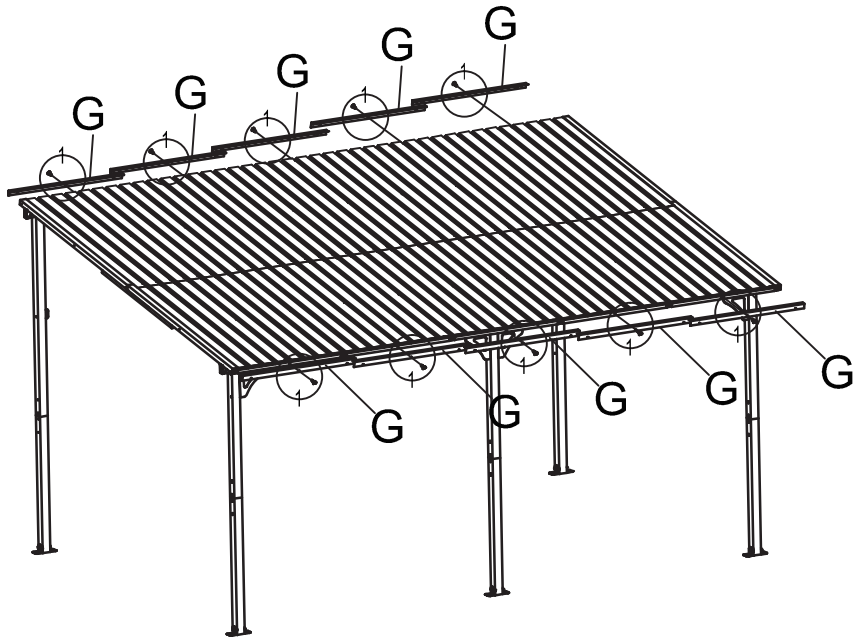


X1 x10

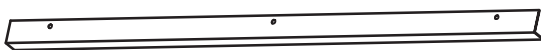


ASSEMBLY STEPS

14



G x10

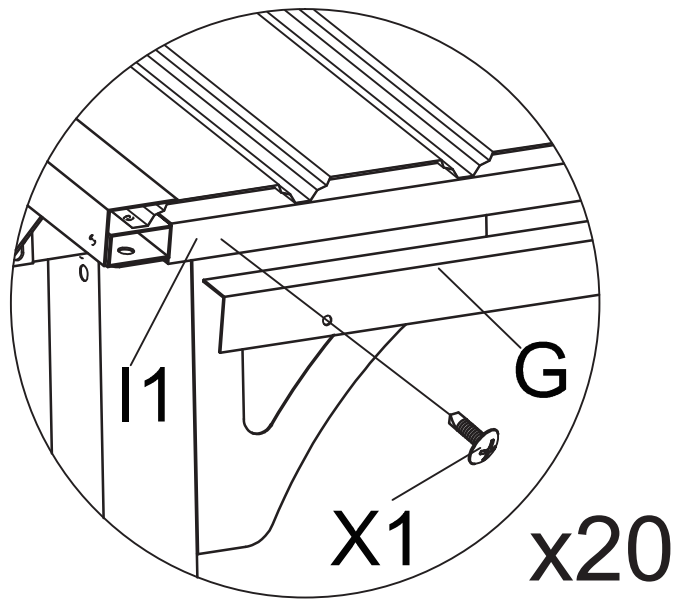
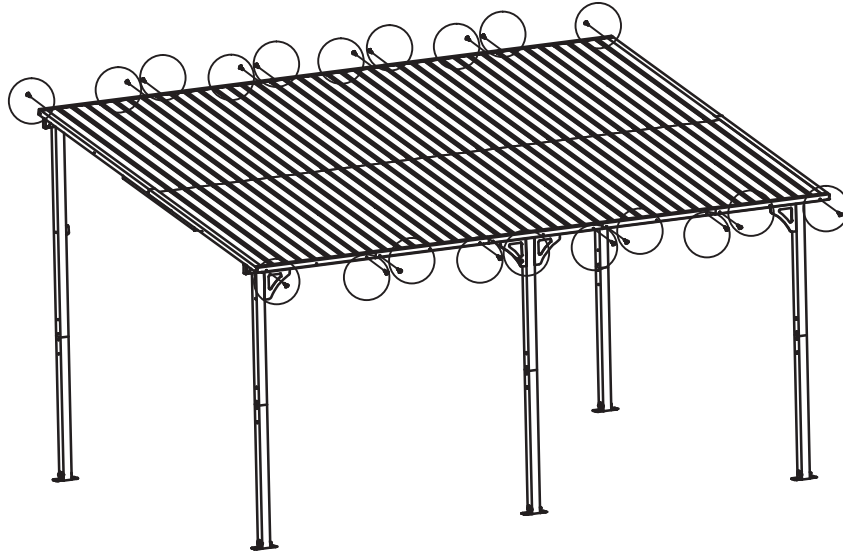


X1 x10



ASSEMBLY STEPS

15

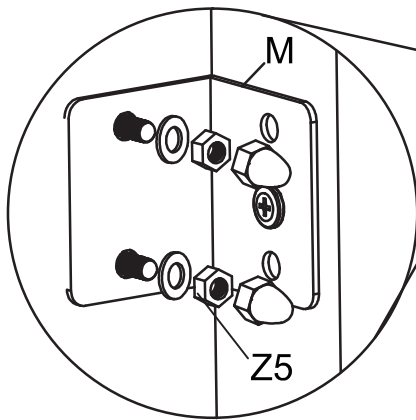
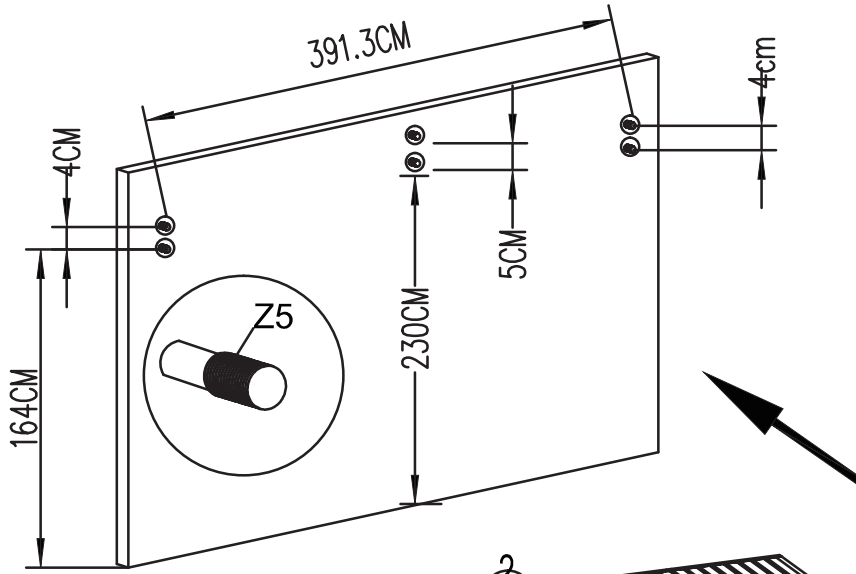


X1 x20

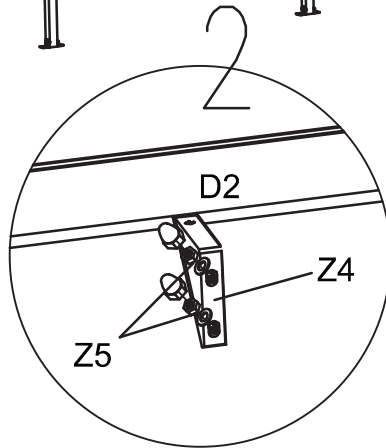
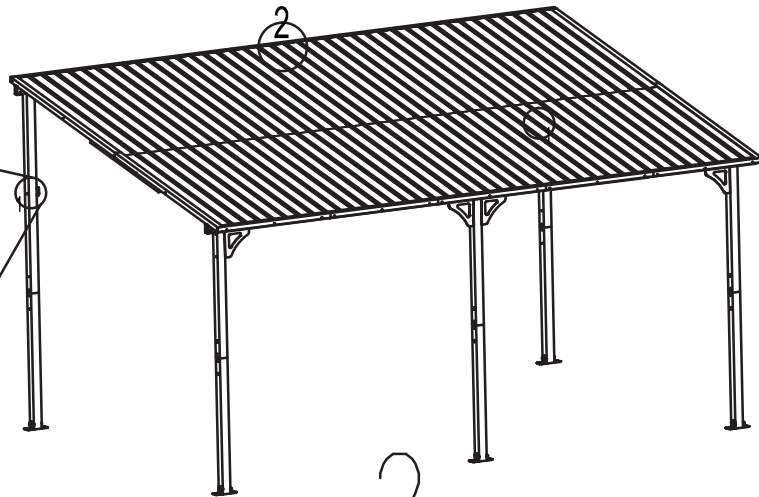


ASSEMBLY STEPS

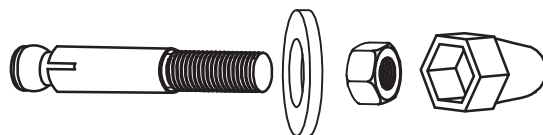
16



X2



X1



Z5 x6