



2 TIERS SPICE HERB JAR RACK

SAFETY & WARNINGS

Warning

- Read each step carefully before starting.
- Remove all fittings from the plastic bags and separate them into their groups.
- During assembly children should be kept away from the product due to possible risk of injury.
- Make sure you have enough space to layout the parts before starting.
- Do not stand or put weight on the product, this could cause damage. Assemble the item as close to its final position (in the same room) as possible.
- Assemble on a soft level surface to avoid damaging the unit or your floor.
- We do not recommend the use of power drill/drivers for inserting screws, as this could damage the unit. Only use hand screwdrivers.
- Parts of the assembly will be easier with 2 people.
- Do not use this item if any components are missing or damaged.
- Dispose of all packaging carefully and responsibly.

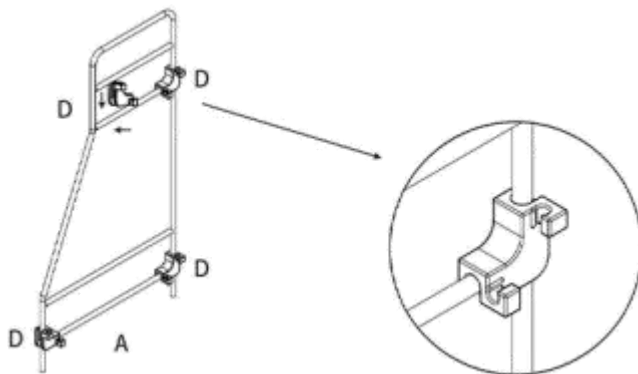
Assembly Tips

- Please read the instruction manual carefully to understand the matters needing attention in the process of installation and maintenance.
- Strictly follow the assembly instructions.
- Carefully check whether the parts in the box are intact.
- Assemble on the box so as not to damage the product and room floor.
- The use of mismatched parts may cause damage to the product. Please confirm the model of various parts before assembly.

INSTALLATION

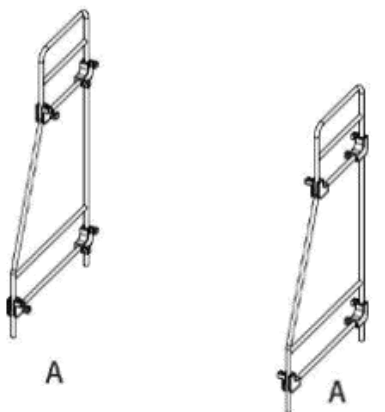
Step 1

First, insert four D into A according to the illustration.



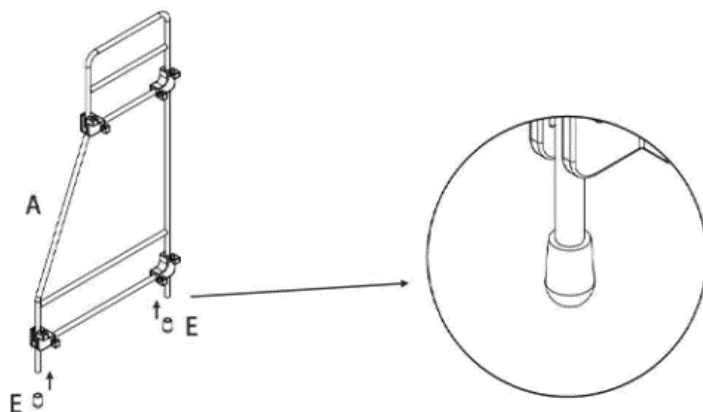
Step 2

In the same way, four D are inserted into another A, and the two A after completion are mirror symmetrical.



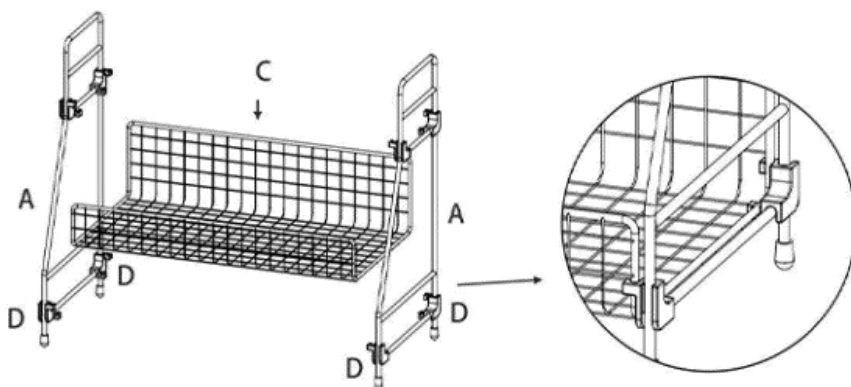
Step 3

Take four E and insert to the foot of two A respectively.



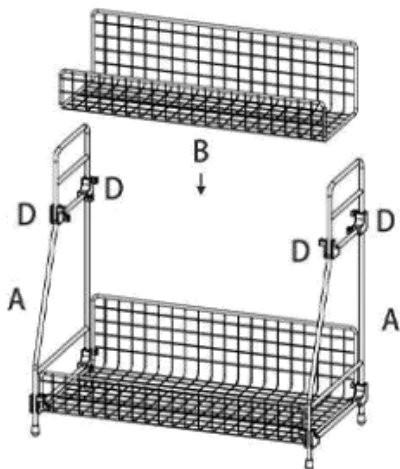
Step 4

Press the thick edge of C into the four D at the bottom of A to fix two A.



Step 5

Press B in the same way into the four D at the top of A, as shown.



Step 6

Complete the installation.



CLEANING & CARE

- Only clean using a damp cloth and mild detergent, do not use bleach or abrasive cleaners.
- Regularly check all fastenings to ensure that they properly tightened.
- This product should not be discarded with household waste. Take to your local authority waste disposal centre.