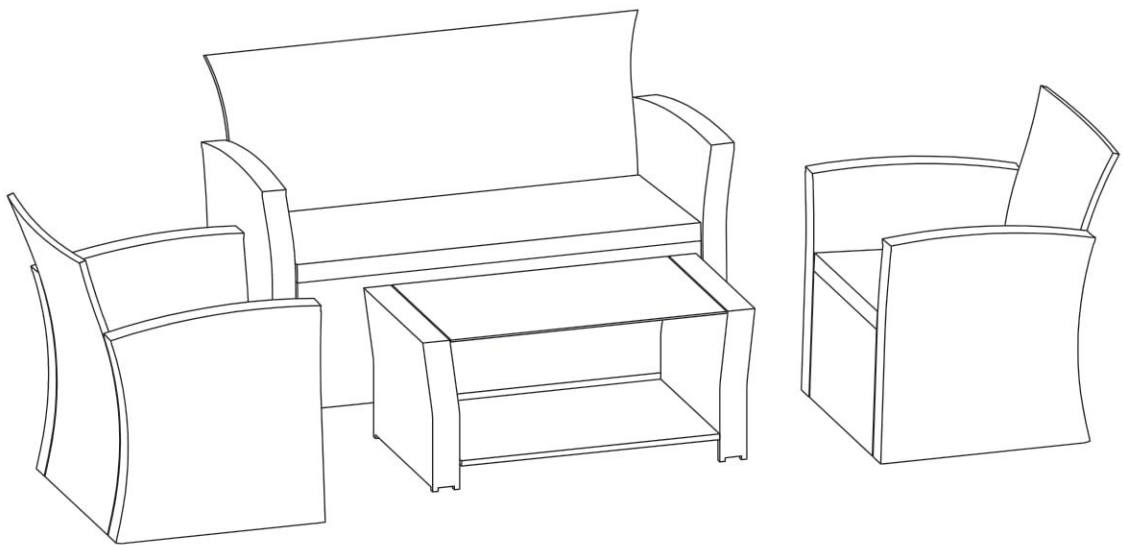


ASSEMBLY INSTRUCTIONS

4-Piece Patio Furniture Set



READ BELOW INSTRUCTIONS BEFORE ASSEMBLY

1. COMPARE PARTS WITH THE PACKAGE CONTENTS LIST, MAKE SURE ALL PARTS ARE PRESENT. IF

2. PLEASE ASSEMBLE STEP BY STEP AND FOLLOW THE INSTRUCTIONS.

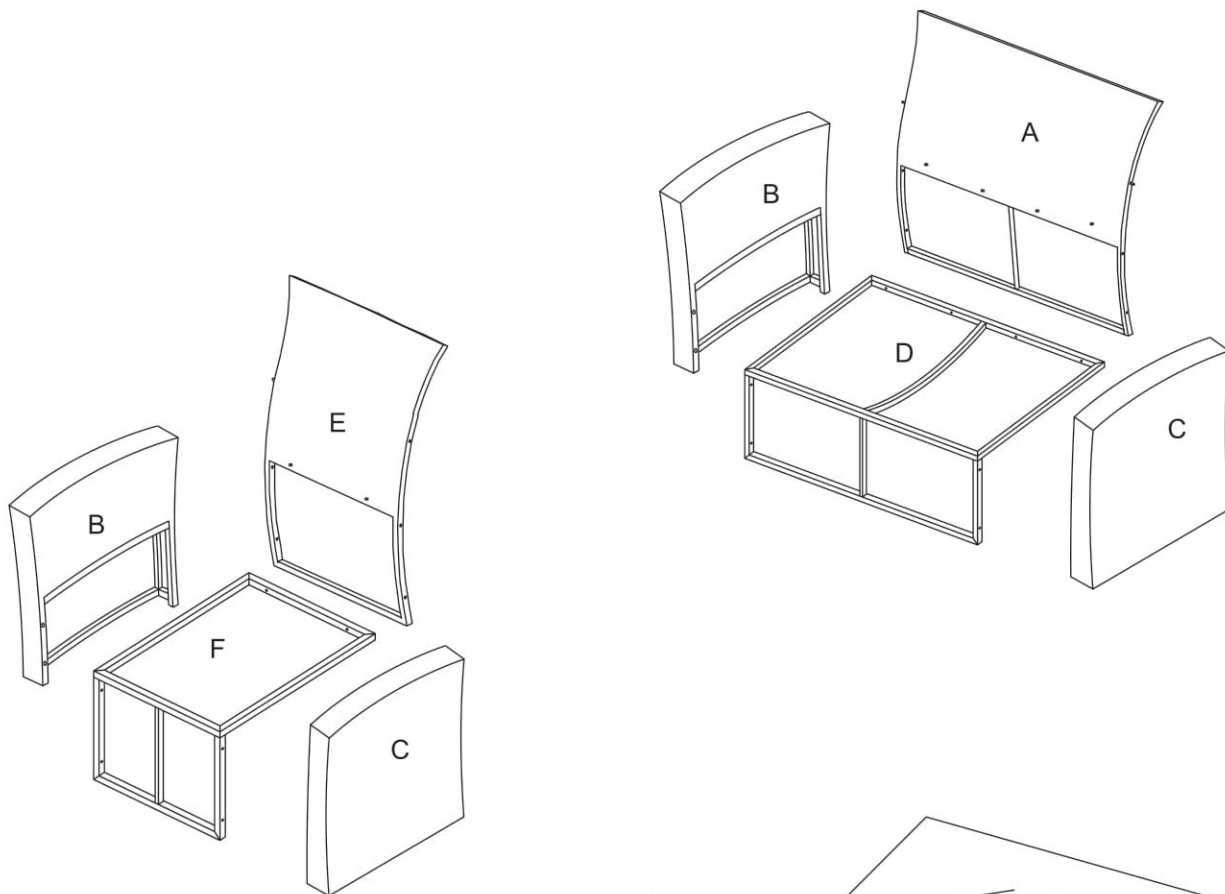
3. TO AVOID ANY SCRATCH DURING ASSEMBLY, PLEASE ASSEMBLE ON A SOFT MAT OR SIMILAR.

4. WHILE EACH SCREW AND NUT IS PROPERLY FASTENED, DO NOT OVER FASTEN IT.

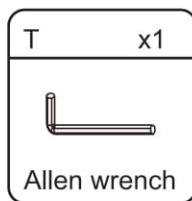
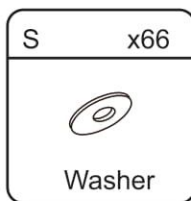
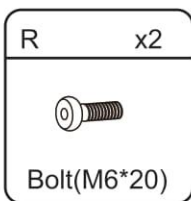
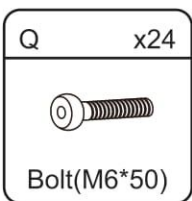
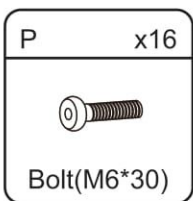
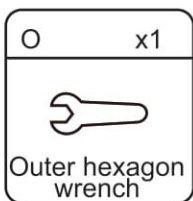
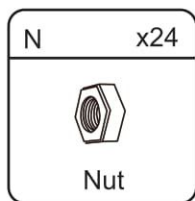
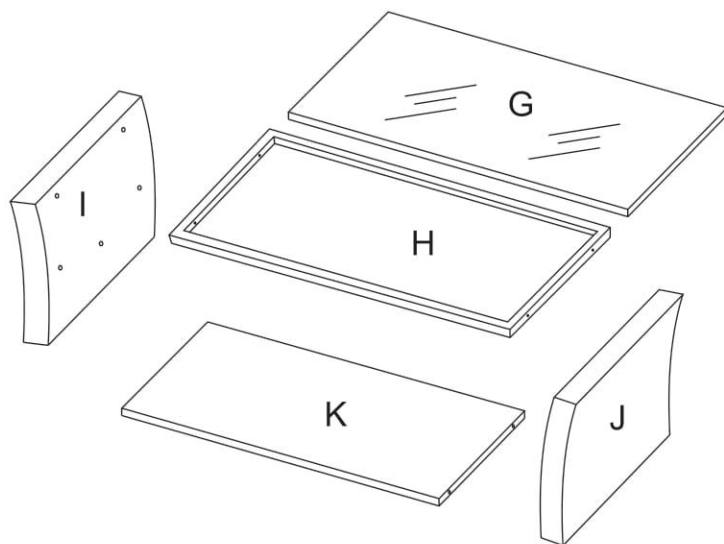
5. THE PRODUCT CONTAINS SMALL ACCESSORIES, PLEASE DO NOT LET CHILDREN PLAY WITH IT AS TOYS.

6. DO NOT TIGHTEN BOLTS UNTIL ALL PARTS ARE CONNECTED .

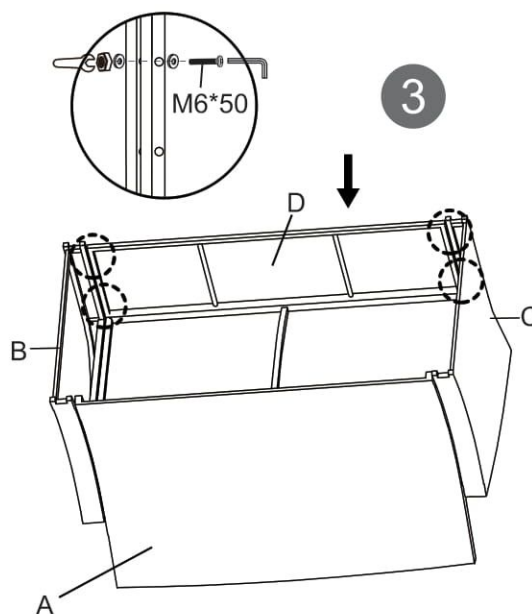
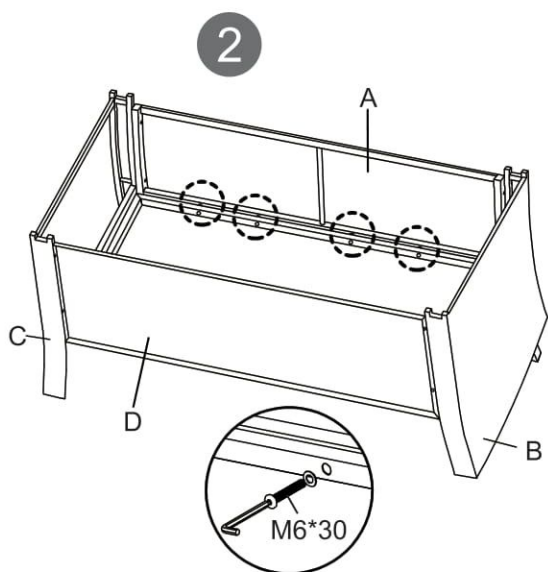
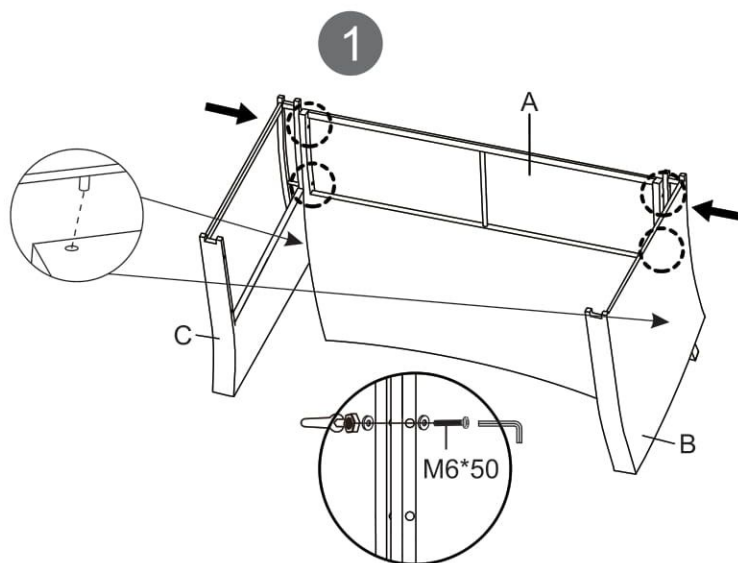
NOTE:DO NOT TIGHTEN BEFORE FIXING ALL BOLTS








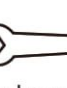




A	x1PCS
B	x3PCS
C	x3PCS
D	x1PCS
E	x2PCS
F	x2PCS
G	x1PCS
H	x1PCS
I	x1PCS
J	x1PCS
K	x1PCS



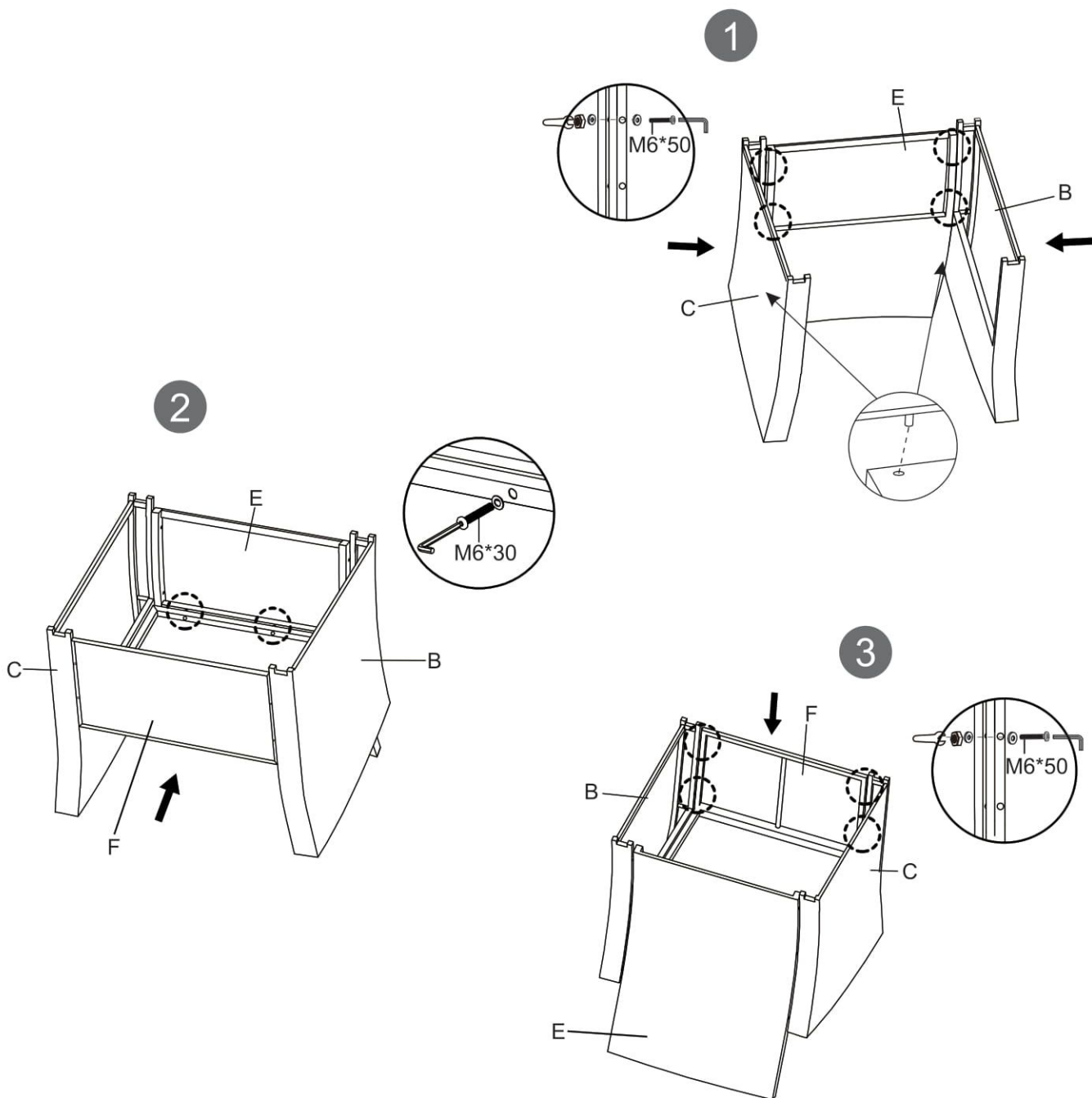
NOTE:DO NOT TIGHTEN BEFORE FIXING ALL BOLTS













Part list(Loveseat sofa)

<p>A x1</p>  <p>Seat back</p>	<p>B x1</p>  <p>Left arm</p>	<p>C x1</p>  <p>Right arm</p>	<p>D x1</p>  <p>Seat board</p>	<p>N x8</p>  <p>Nut</p>	<p>O x1</p>  <p>Outer hexagon wrench</p>	<p>P x4</p>  <p>Bolt(M6*30)</p>
<p>Q x8</p>  <p>Bolt(M6*50)</p>	<p>S x20</p>  <p>Washer</p>	<p>T x1</p>  <p>Allen wrench</p>				

NOTE:DO NOT TIGHTEN BEFORE FIXING ALL BOLTS

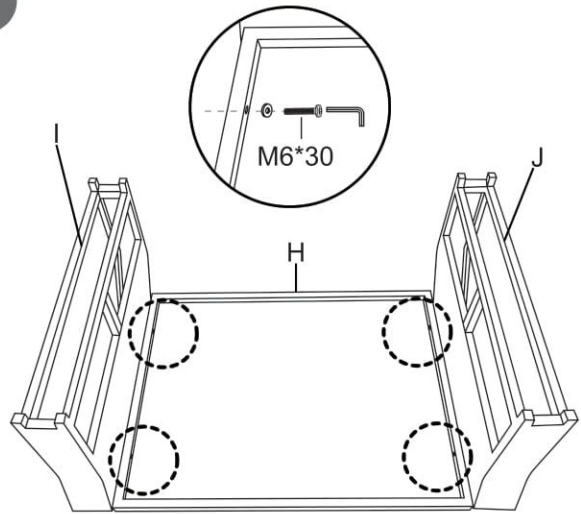


Part list(Armchairs)

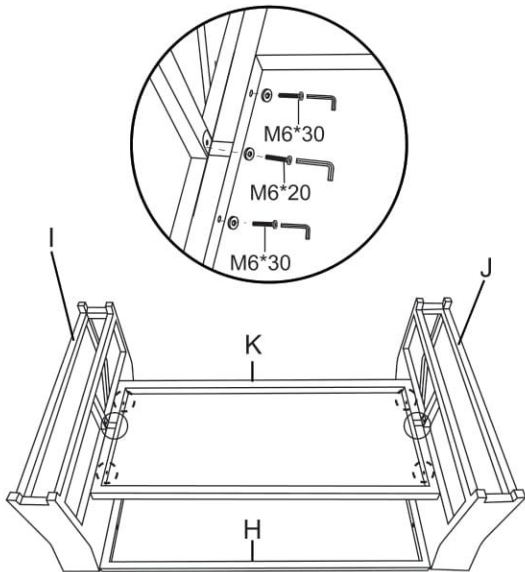
B x1  Left arm	C x1  Right arm	E x2  Seat back	F x2  Seat board	N x16  Nut	O x1  Outer hexagon wrench	P x4  Bolt(M6*30)
Q x16  Bolt(M6*50)	S x36  Washer	T x1  Allen wrench				

NOTE:DO NOT TIGHTEN BEFORE FIXING ALL BOLTS

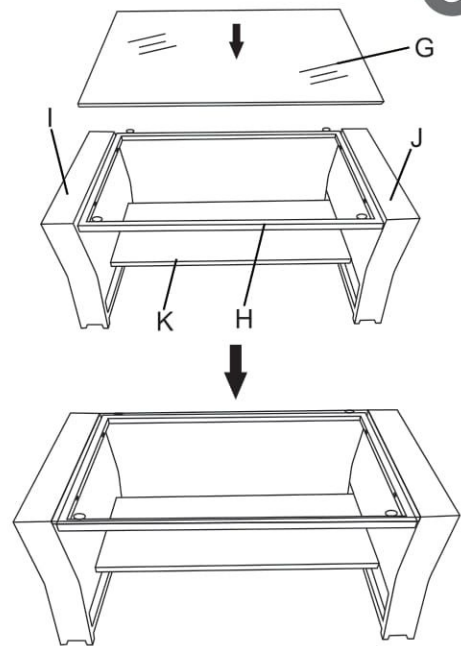
1












2



3



Part list(Coffee table)

G x1  Mirror	H x1  Mirror frame	I x1  Left side panel	J x1  Right side panel	K x1  Storage plate	P x8  Bolt(M6*30)	R x2  Bolt(M6*20)
S x10  Washer	T x1  Allen wrench					