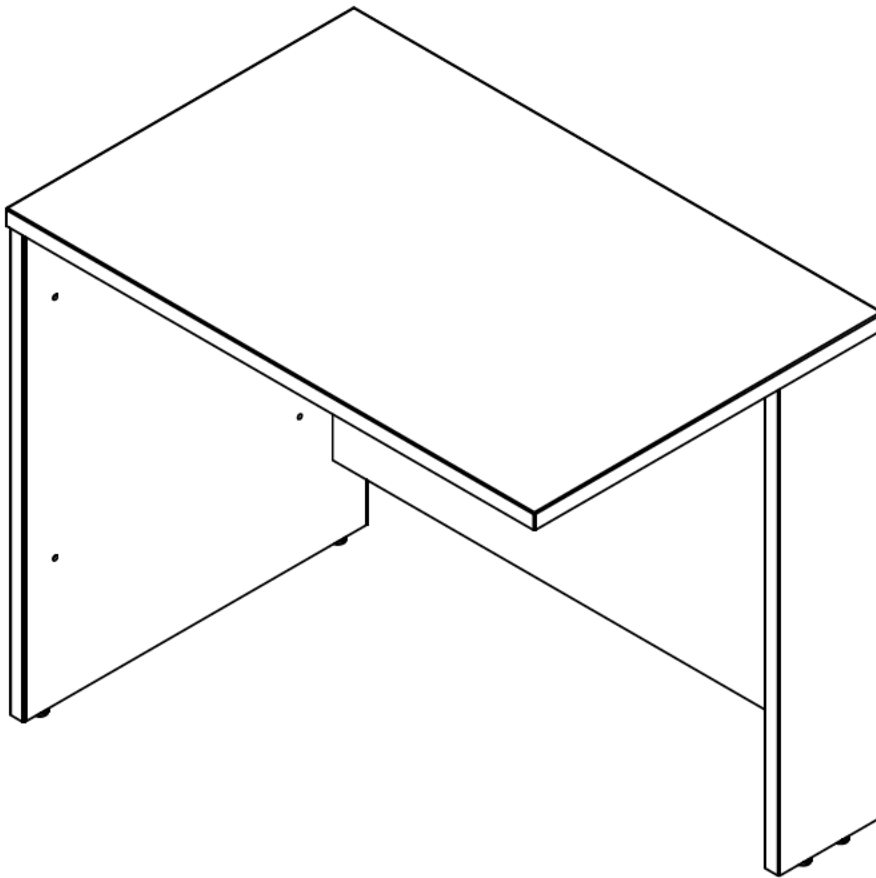


Assembly Guide



36" Bridge / Return



For best results, keep these tips in mind:

- ① We know you want to finish this assembly as quickly as possible, but trust us: you'll have a better experience if you take it one step at a time.
- ② Give yourself some room to work near where you want the fully assembled product.
- ③ If your floor isn't carpeted, assemble this product on the empty carton to avoid scratching.
- ④ Do you have a friend who owes you a favor? Some steps may go a little easier with a second set of hands.

DOs

- ✔ Use a #2 Phillips head screwdriver (or other handheld tools as indicated)
- ✔ Wear safety glasses at all times during assembly
- ✔ Carefully follow the instructions in this guide and complete all steps in order
- ✔ Give us a call if you're having trouble with a particularly tricky step

DON'Ts

- ✘ We know power tools are quick and easy, but you shouldn't use them when assembling this product (unless otherwise specified)
- ✘ Never move your furniture with items inside or resting on the surface
- ✘ Do not attempt to use this product before all steps have been completed

IMPORTANT SAFETY INFORMATION



PLEASE READ WARNINGS

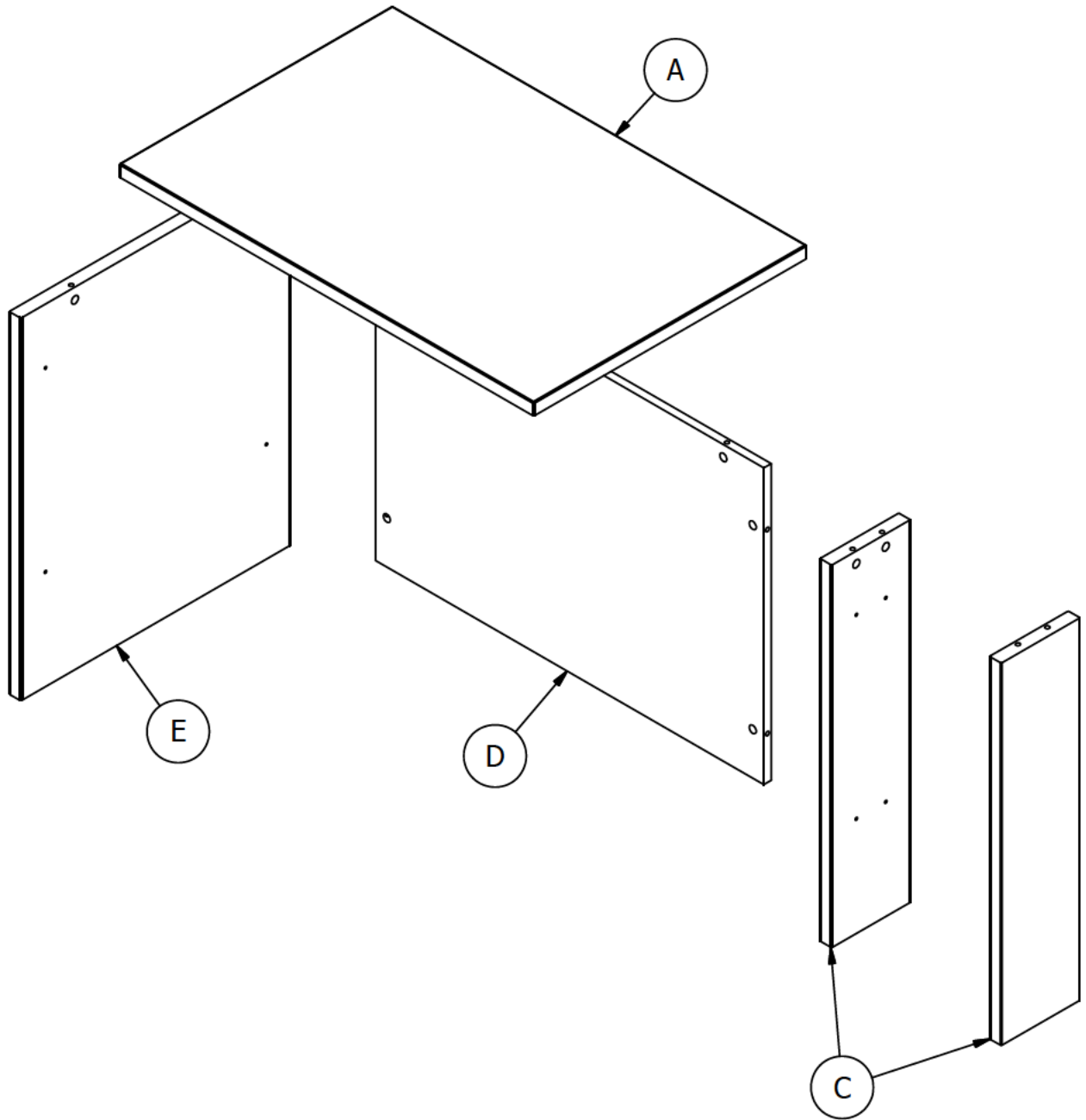
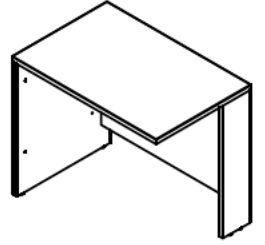
Improper use can cause safety hazards, or damage to your furniture and household items.

| Warning | Do | Don't | Why it's important |
|----------------------------------|--|---|--|
| Serious injury may occur. | <ul style="list-style-type: none">Assemble following all instructions using all indicated parts and hardware provided. | <ul style="list-style-type: none">Do not move unit when loaded.Do not load with a television or other heavy equipment.Do not exceed the maximum load limits stated in the instructions. | Improper assembly, use or loading can lead to product instability, tipover, or collapse. |

| Advertencia | Hacer | No | Por qué es importante |
|---|--|---|---|
| Pueden producirse lesiones graves. | <ul style="list-style-type: none">Realice el montaje siguiendo todas las instrucciones y utilizando todas las piezas indicadas y los herrajes suministrados. | <ul style="list-style-type: none">No mueva la unidad cuando esté cargada.No cargue el mueble con un televisor u otro equipo pesado.No supere los límites máximos de carga indicados en las instrucciones. | El montaje, uso o carga inadecuados pueden provocar inestabilidad, vuelco o colapso del producto. |

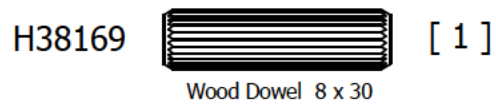
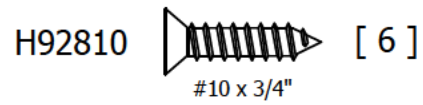
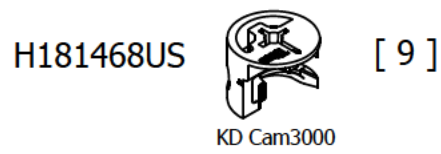
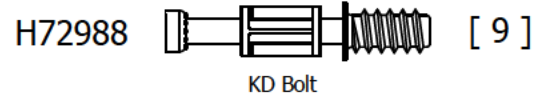
| Avertissement | À faire | À ne pas faire | Pourquoi c'est important |
|---|--|---|--|
| Peut entraîner des blessures graves. | <ul style="list-style-type: none">Assembler en suivant toutes les instructions et en utilisant toutes les pièces et la quincaillerie incluses. | <ul style="list-style-type: none">Ne pas déplacer le meuble lorsqu'il est chargé.Ne pas charger le meuble avec un téléviseur ou tout autre équipement lourd.Ne pas dépasser les limites de poids maximales indiquées dans les instructions. | Un assemblage, une utilisation ou un chargement incorrects peuvent entraîner l'instabilité, le basculement ou l'effondrement du produit. |

Get to know your Boards



Get to know your Fasteners

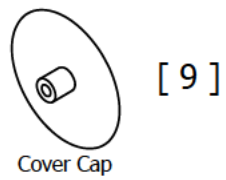
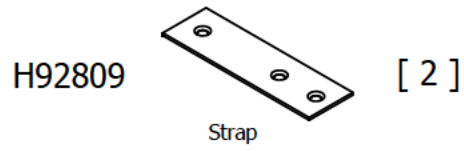
Fasteners are shown actual size.

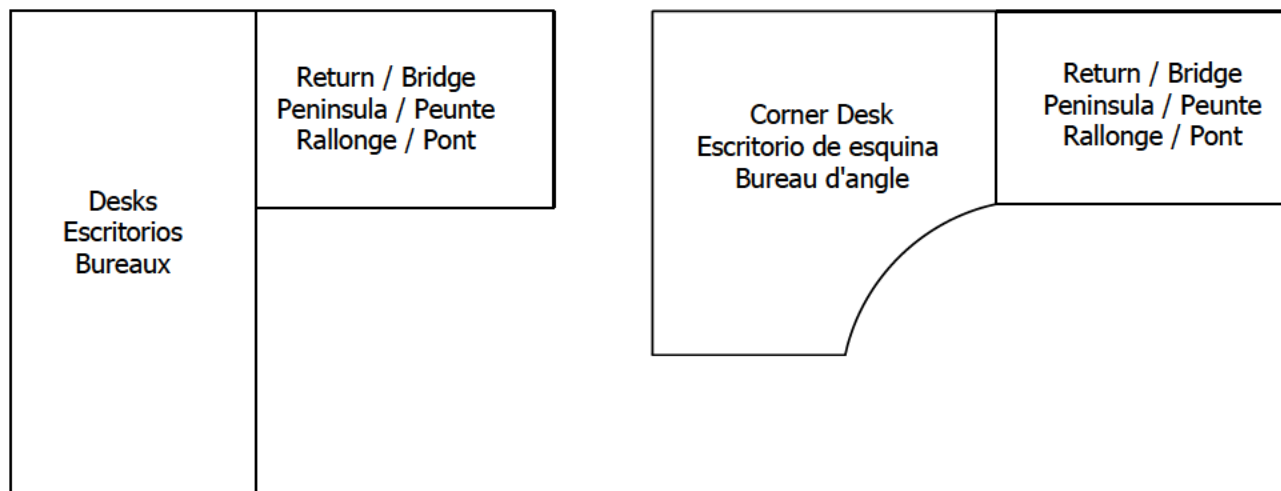


Get to know your Hardware

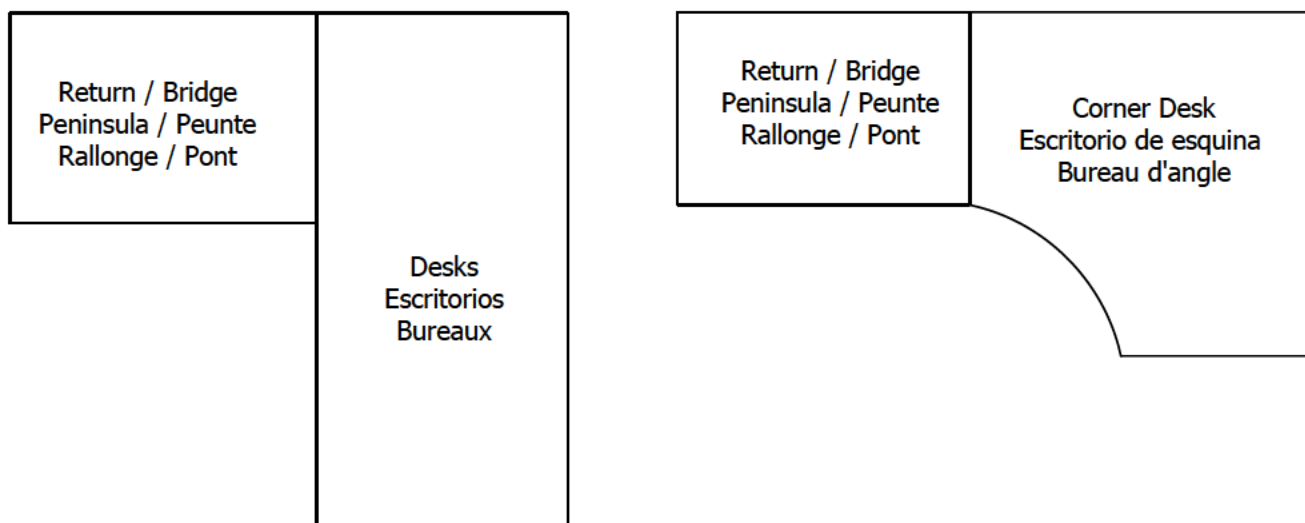


Hardware not to scale.

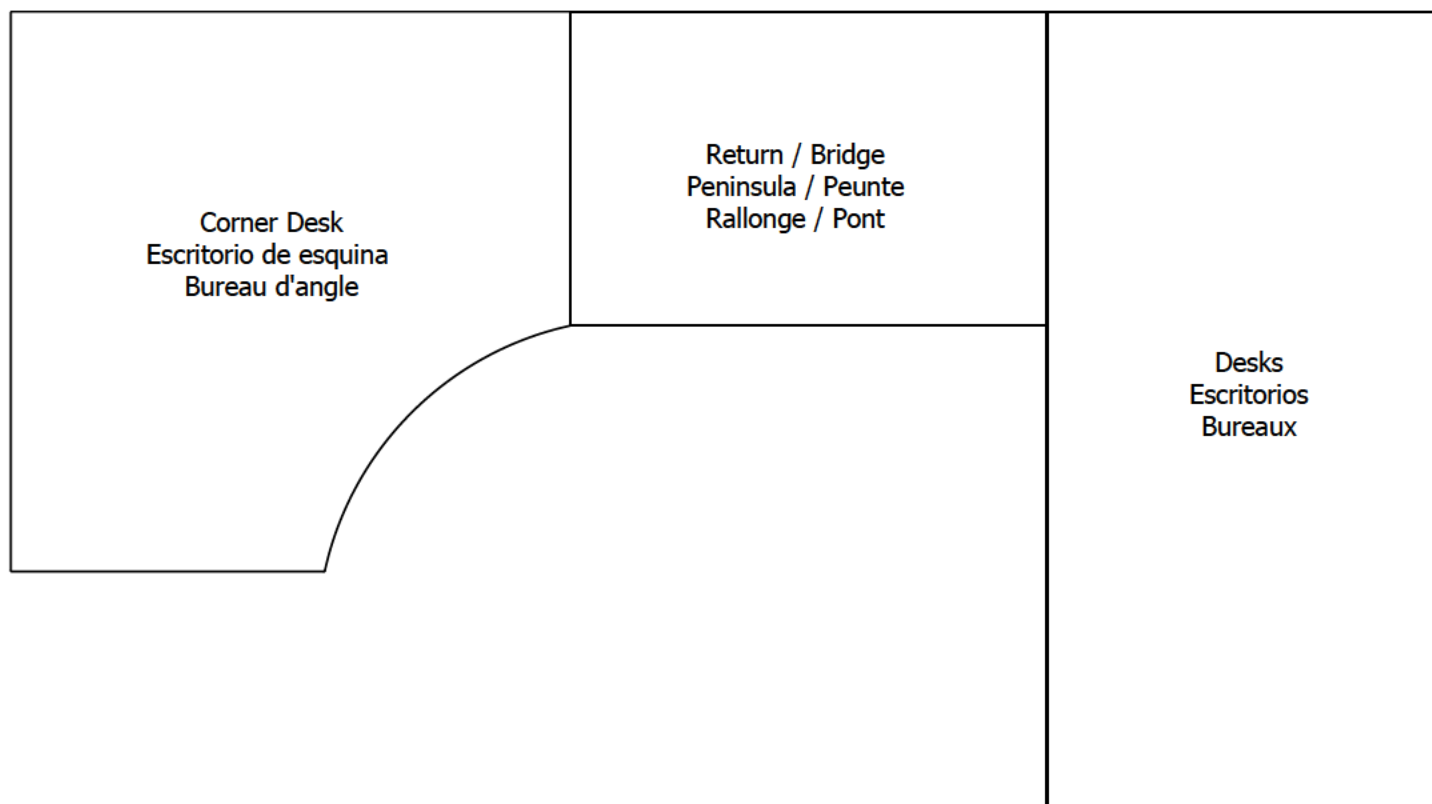




Go to Step 3.
Proceda al paso 3.
Allez à l'étape 3.



Go to Step 10.
Proceda al paso 10.
Allez à l'étape 10.



Go to Step 17.
Proceda al paso 17.
Allez à l'étape 17.

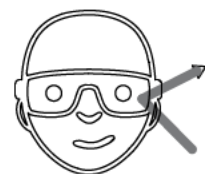
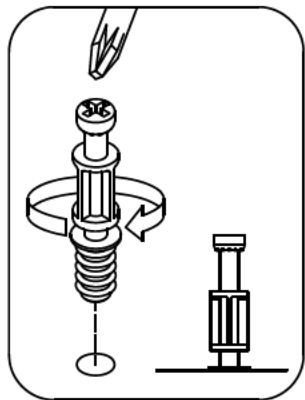
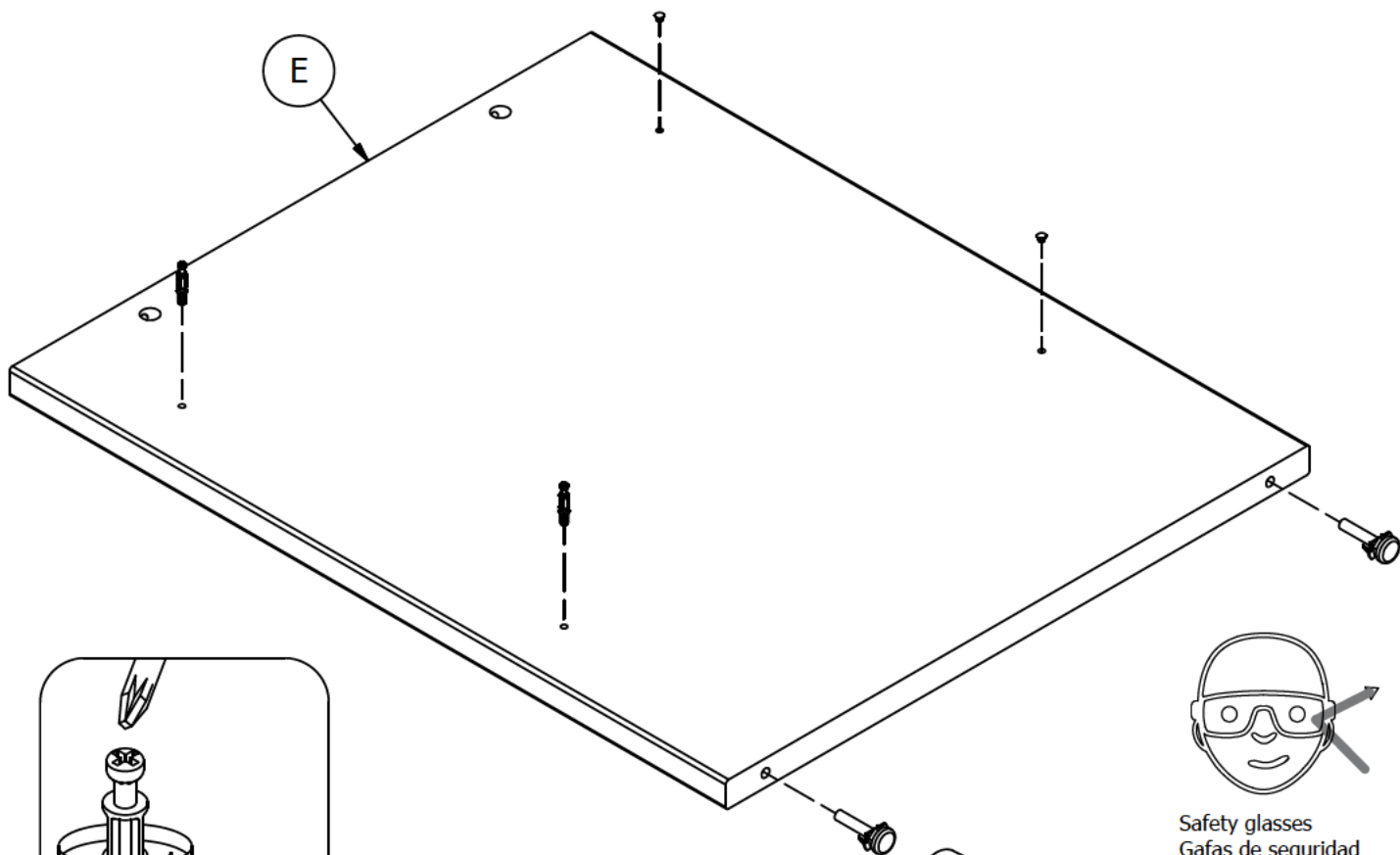
STEP 3

Prepare Panel

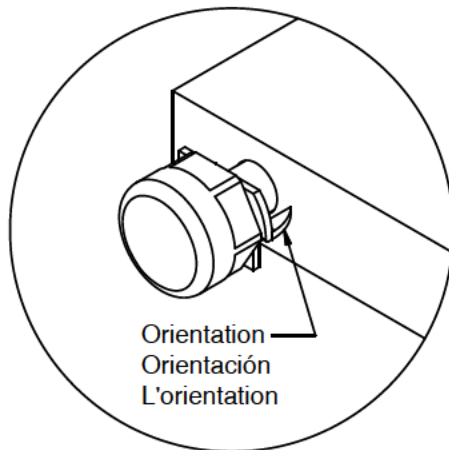
H72988 [2]
KD Bolt

[2]
5mm Hole Plug

H209601 [2]
Leveler



Safety glasses
Gafas de seguridad
Lunettes de protection



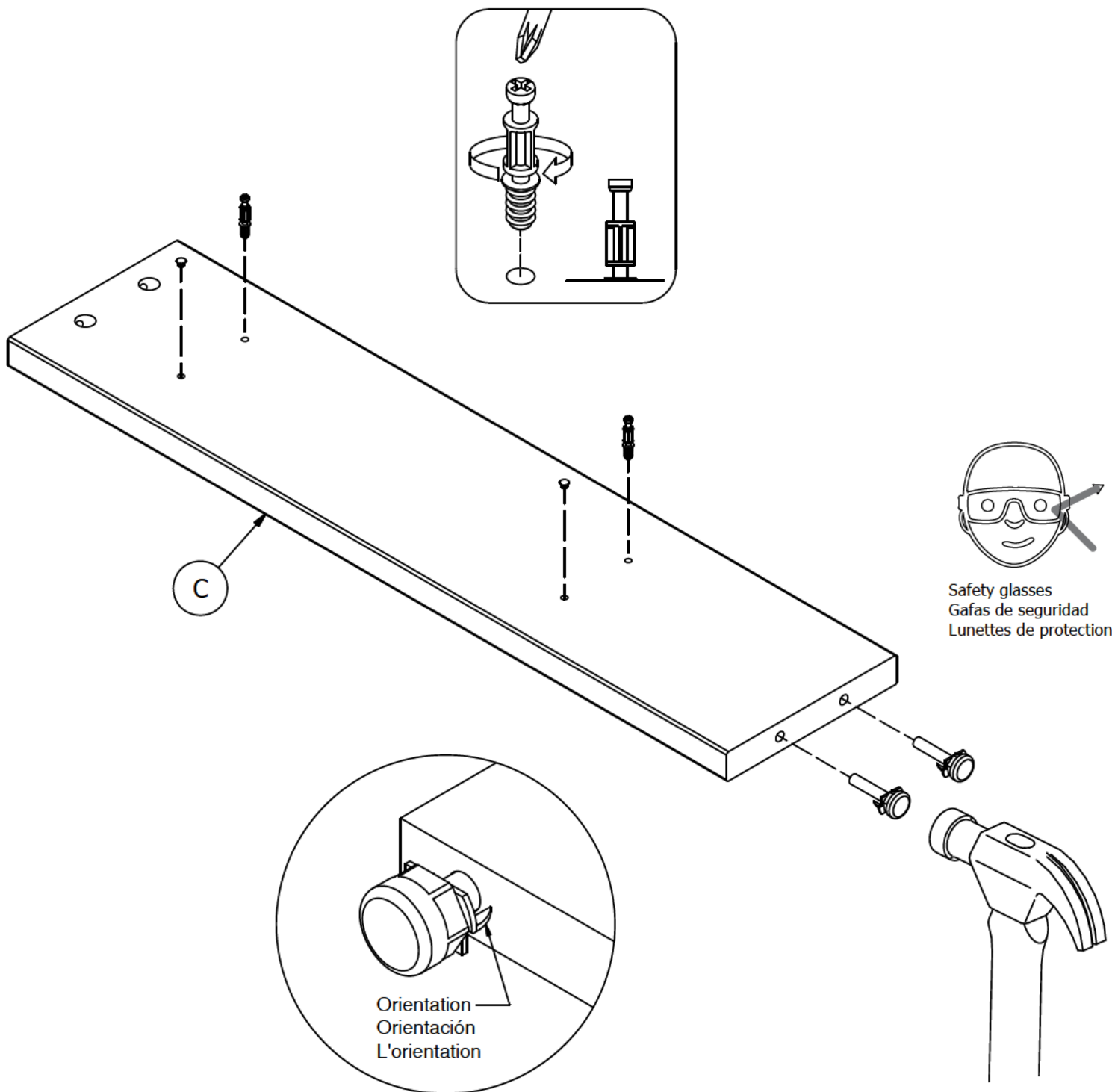
STEP 4

Prepare Panel

H72988 [2]
KD Bolt

[2]
5mm Hole Plug

H209601 [2]
Leveler



Orientation
Orientación
L'orientation

STEP 5

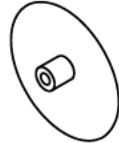
Assemble Panels

H181468US



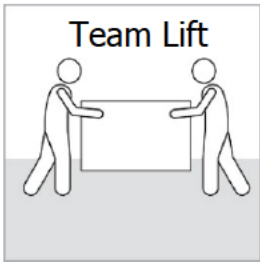
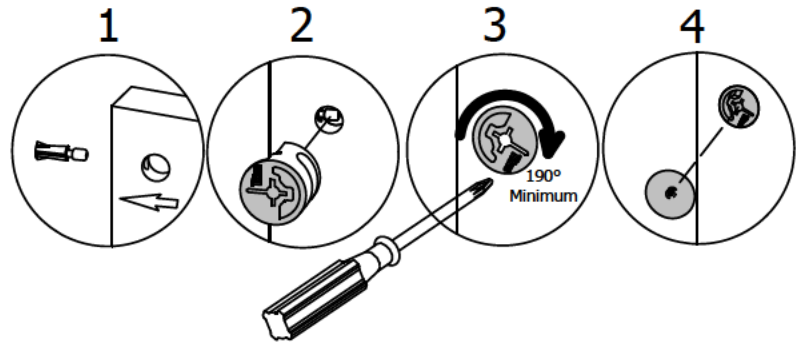
KD Cam3000

[4]

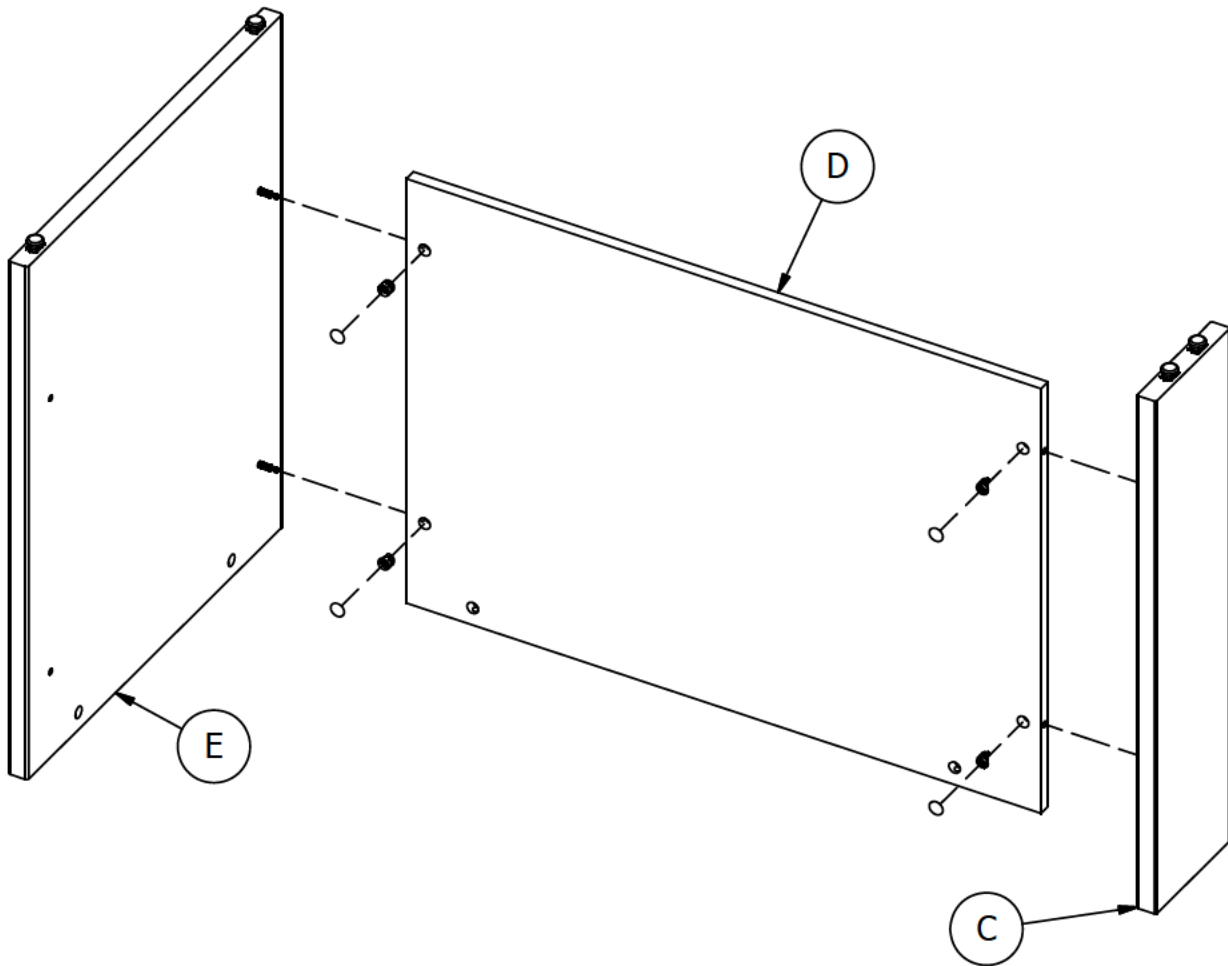


Cover Cap

[4]



Team Lift



STEP 6

Prepare Panel

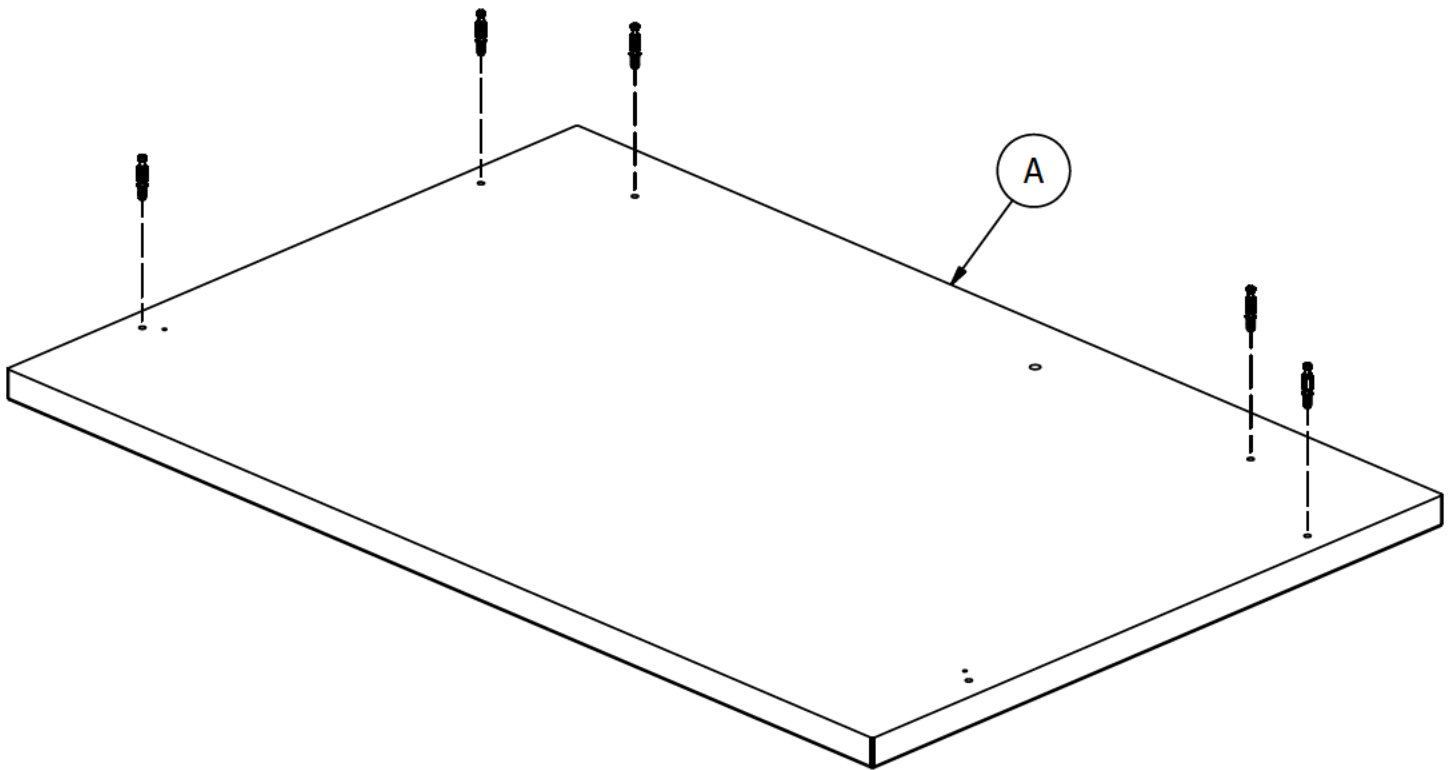
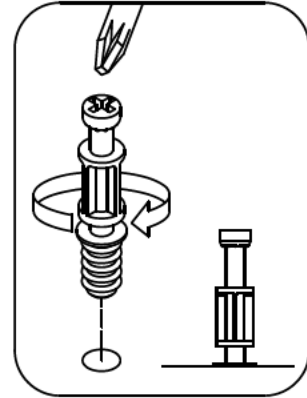


H72988



[5]

KD Bolt



STEP 7

Assemble Panels

H181468US [5]



KD Cam3000

H38169 [1]

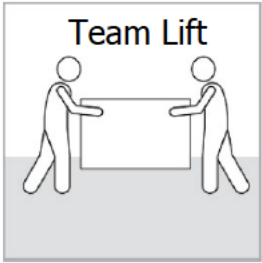
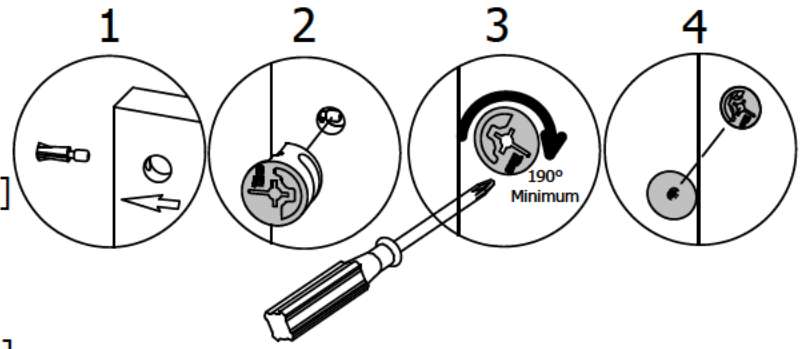


Wood Dowel 8 x 30

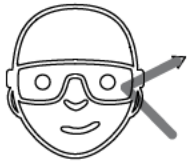
[5]



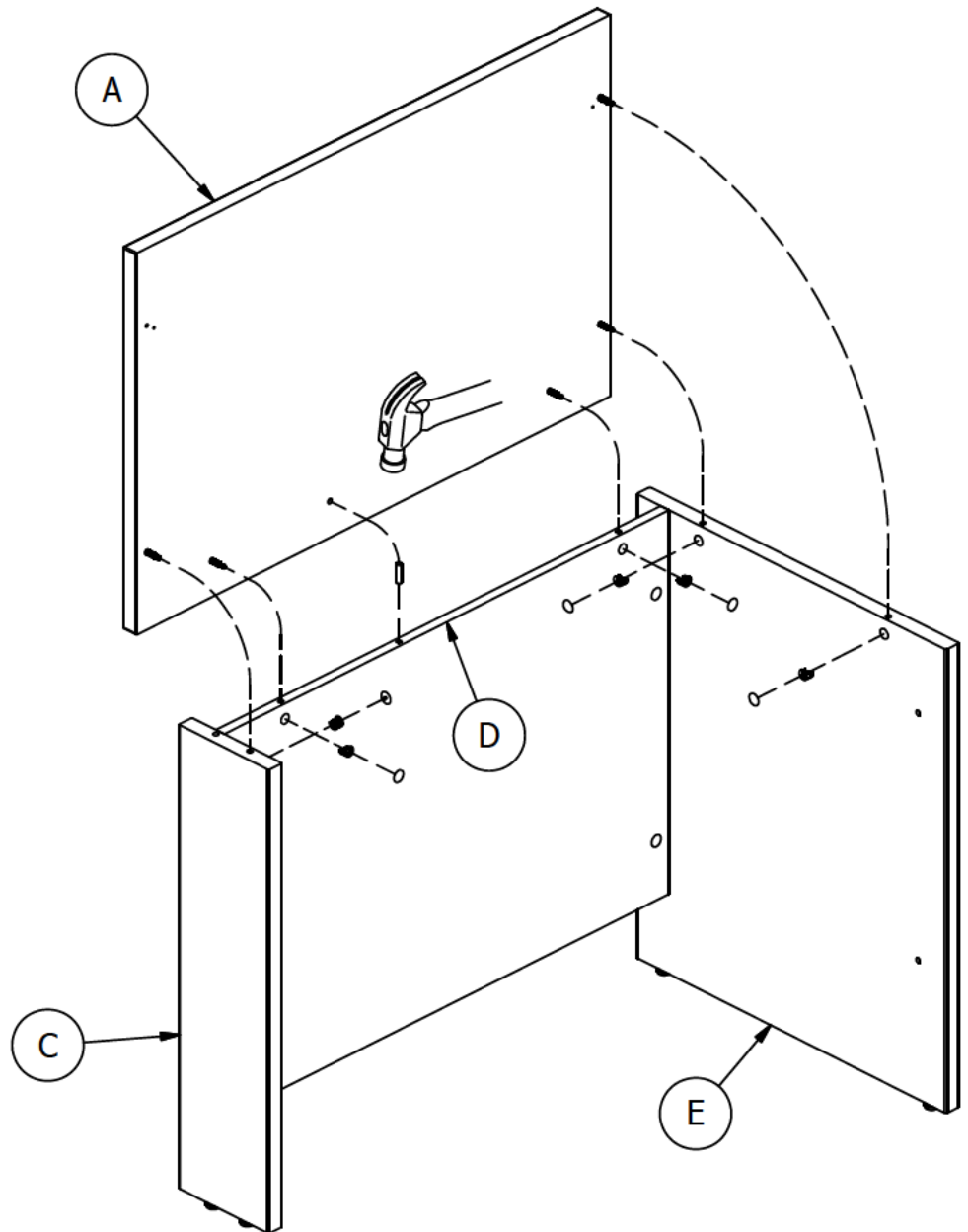
Cover Cap



Team Lift

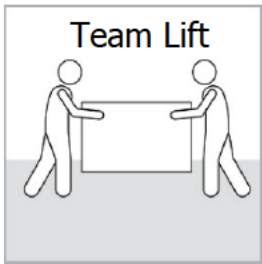


Safety glasses
Gafas de seguridad
Lunettes de protection

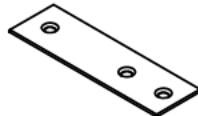


STEP 8

Attach Hardware



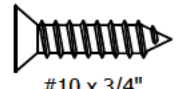
H92809



Strap

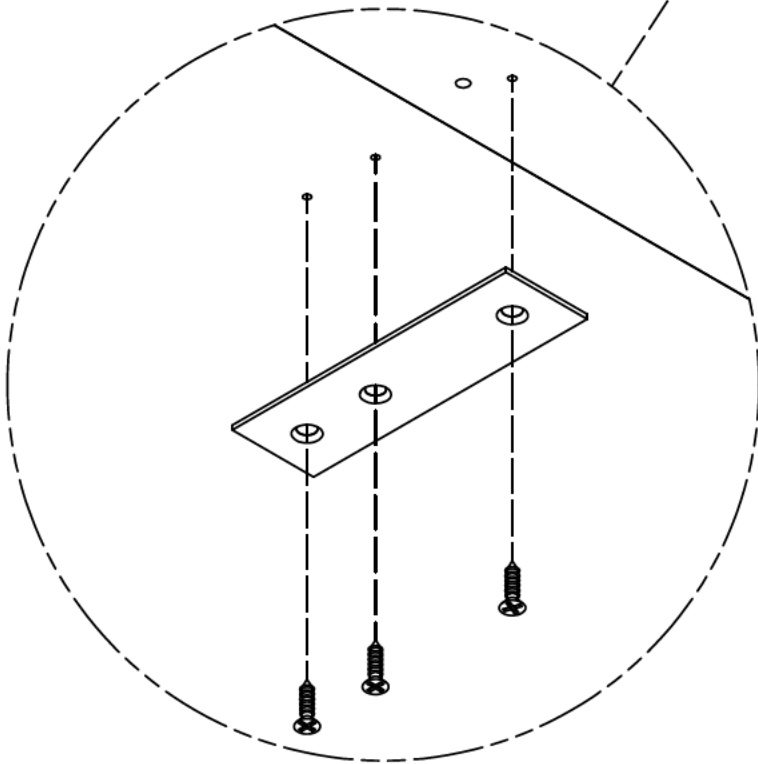
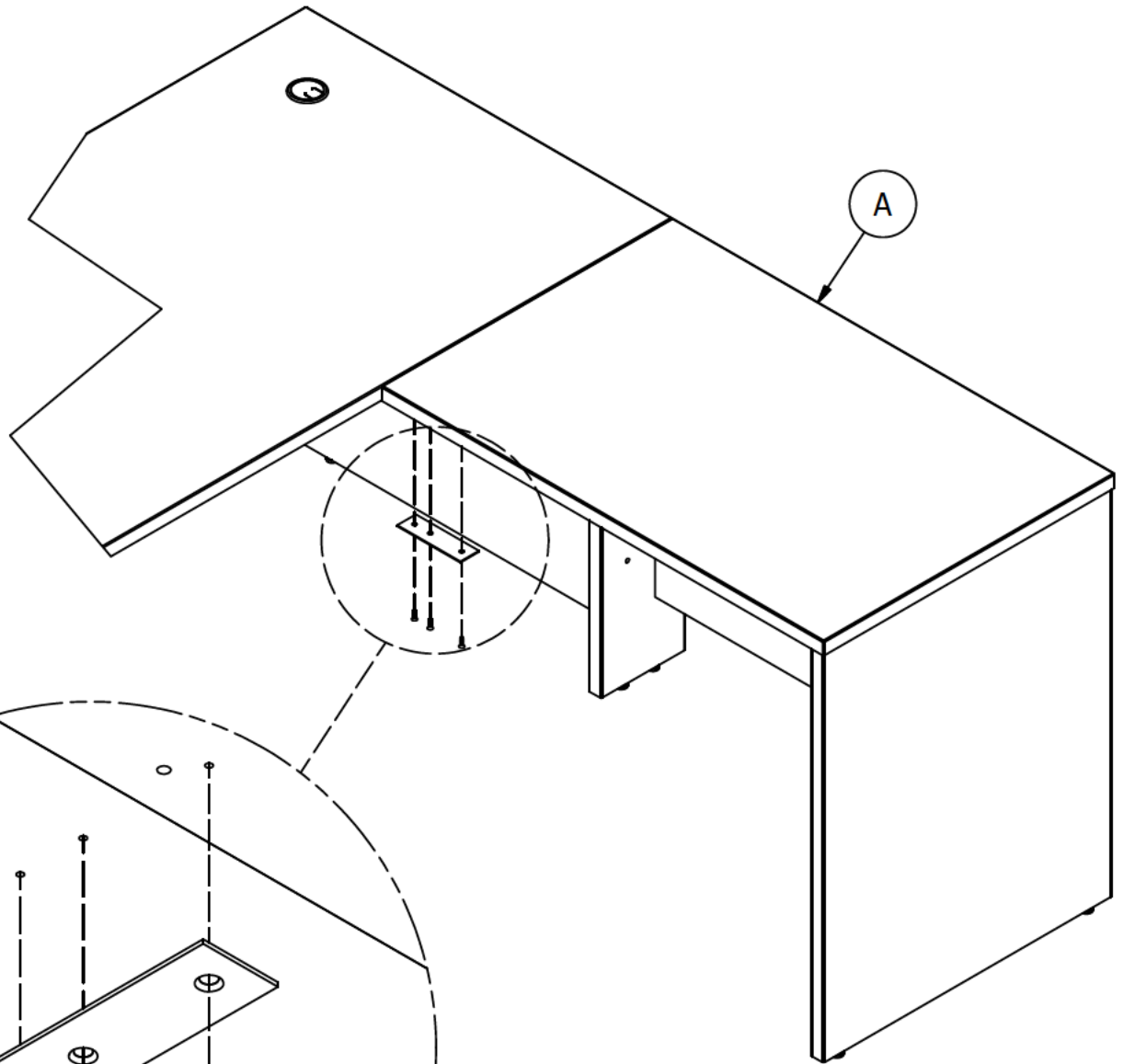
[1]

H92810

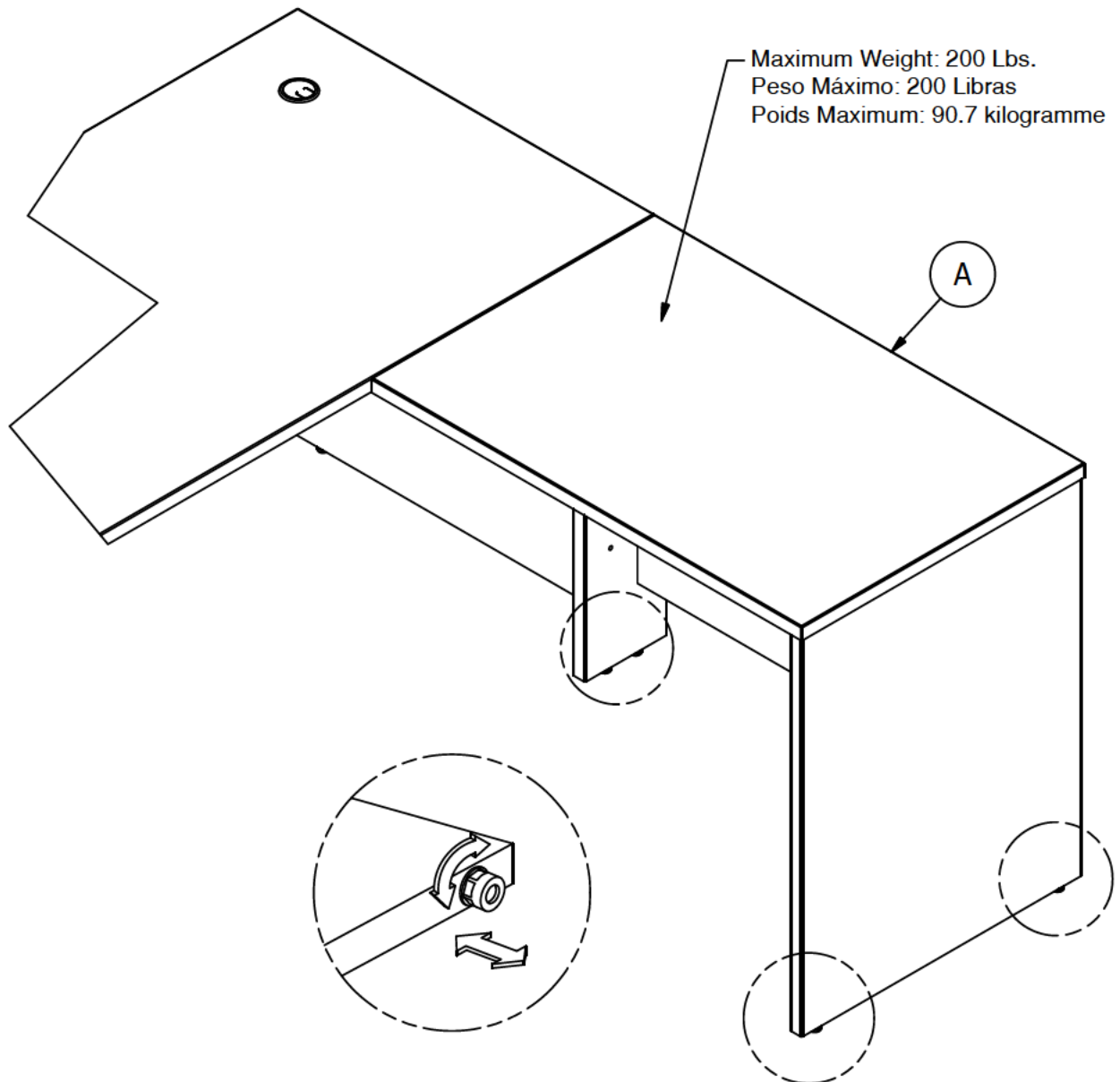


#10 x 3/4"

[3]



Gently clean surfaces with a damp sponge eraser.

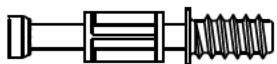


Congratulations! You are all done. If you have any questions or concerns, please call.

STEP 10

Prepare Panel

H72988



[2]

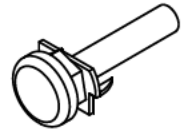
KD Bolt



[2]

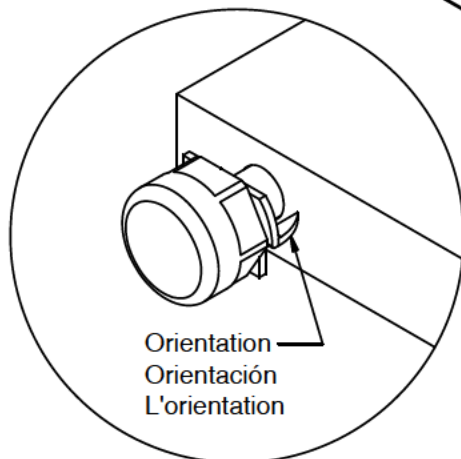
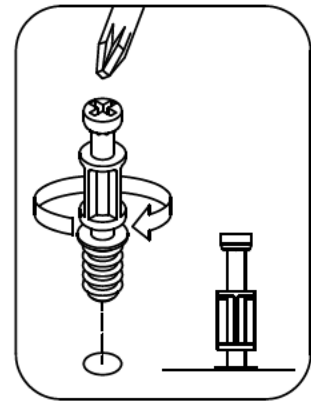
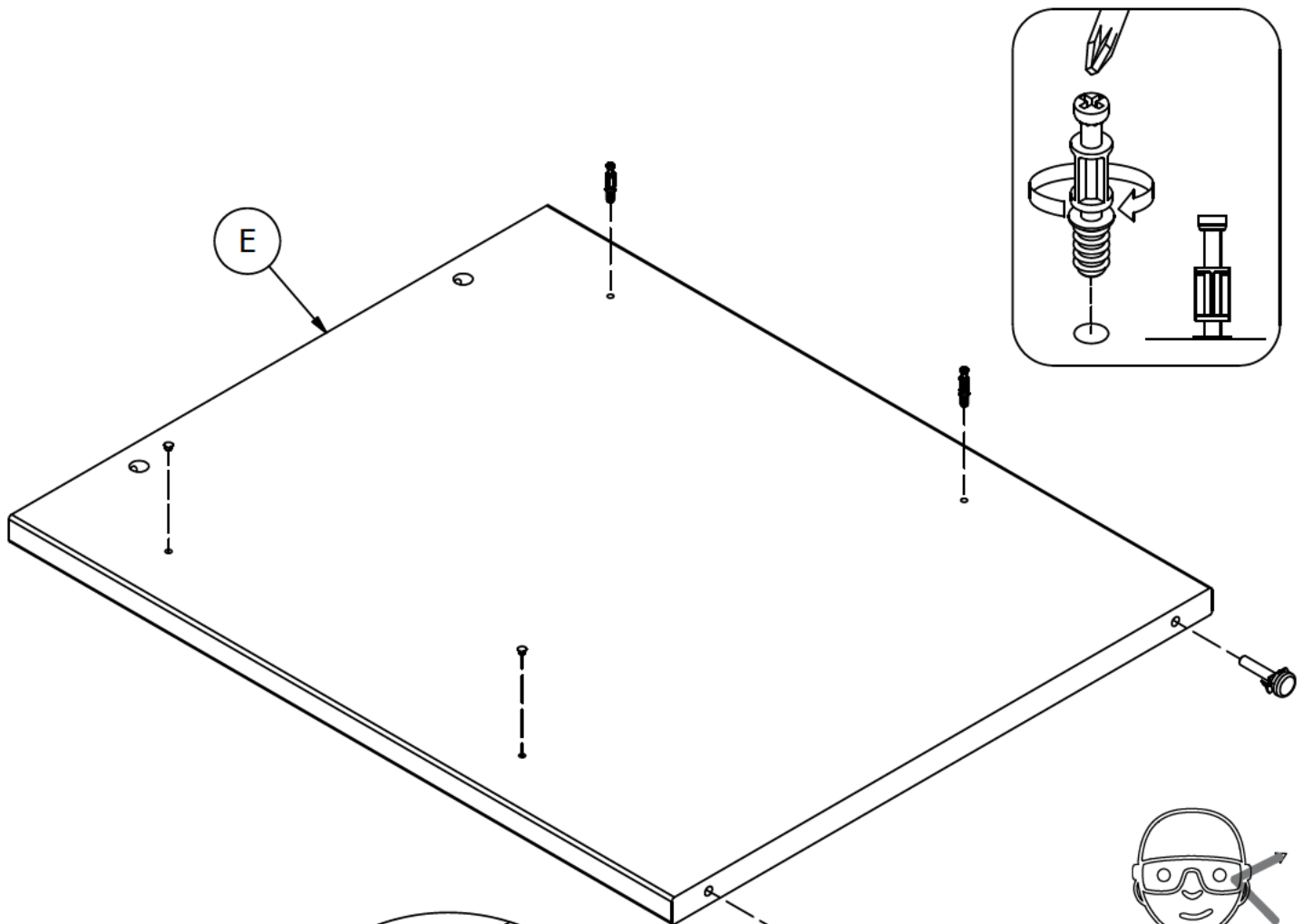
5mm Hole Plug

H209601

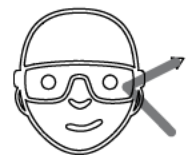


[2]

Leveler



Orientation
Orientación
L'orientation



Safety glasses
Gafas de seguridad
Lunettes de protection

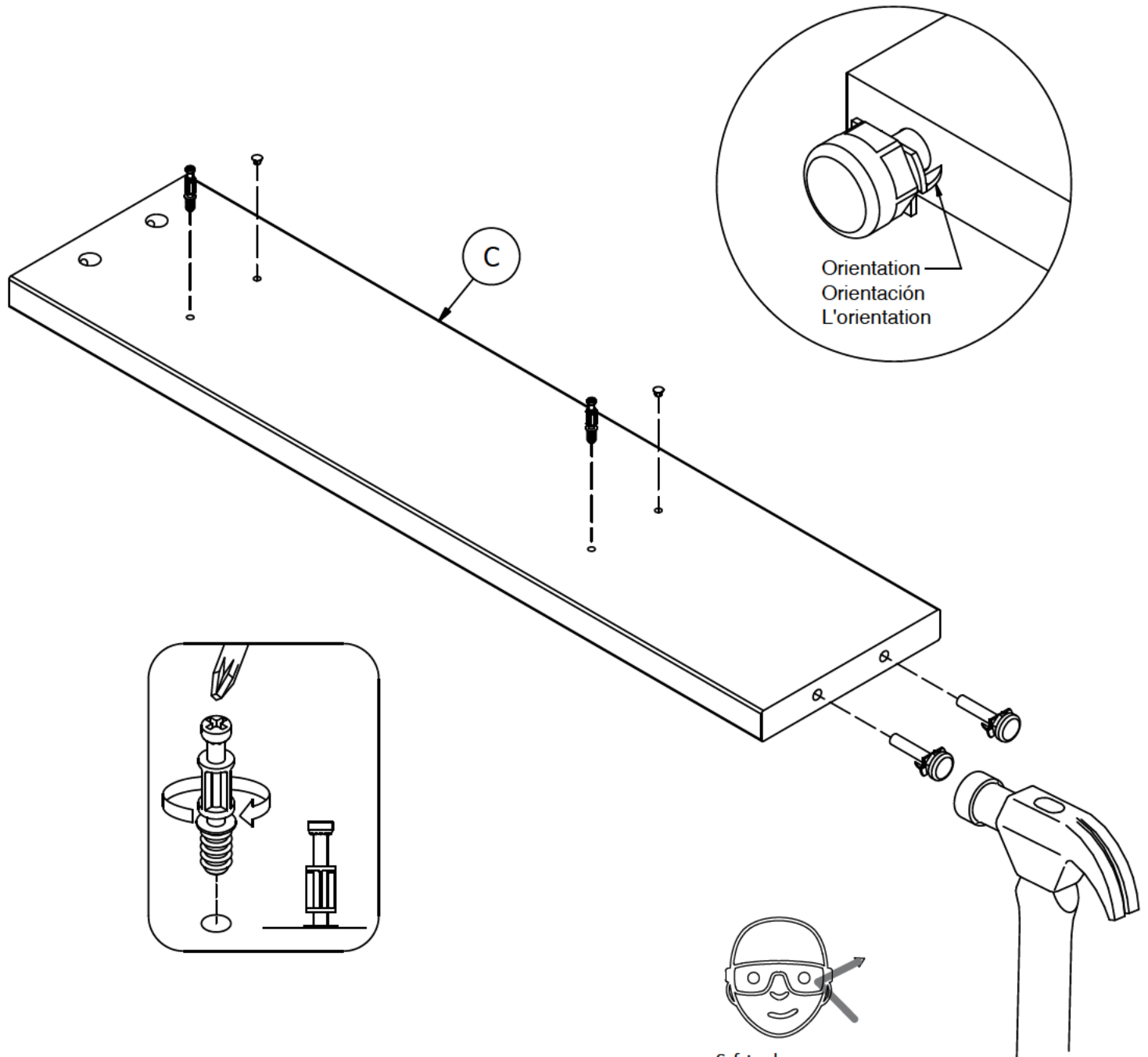
STEP 11

Prepare Panel

H72988 [2]
KD Bolt

[2]
5mm Hole Plug

H209601 [2]
Leveler



Safety glasses
Gafas de seguridad
Lunettes de protection

STEP 12

Assemble Panels

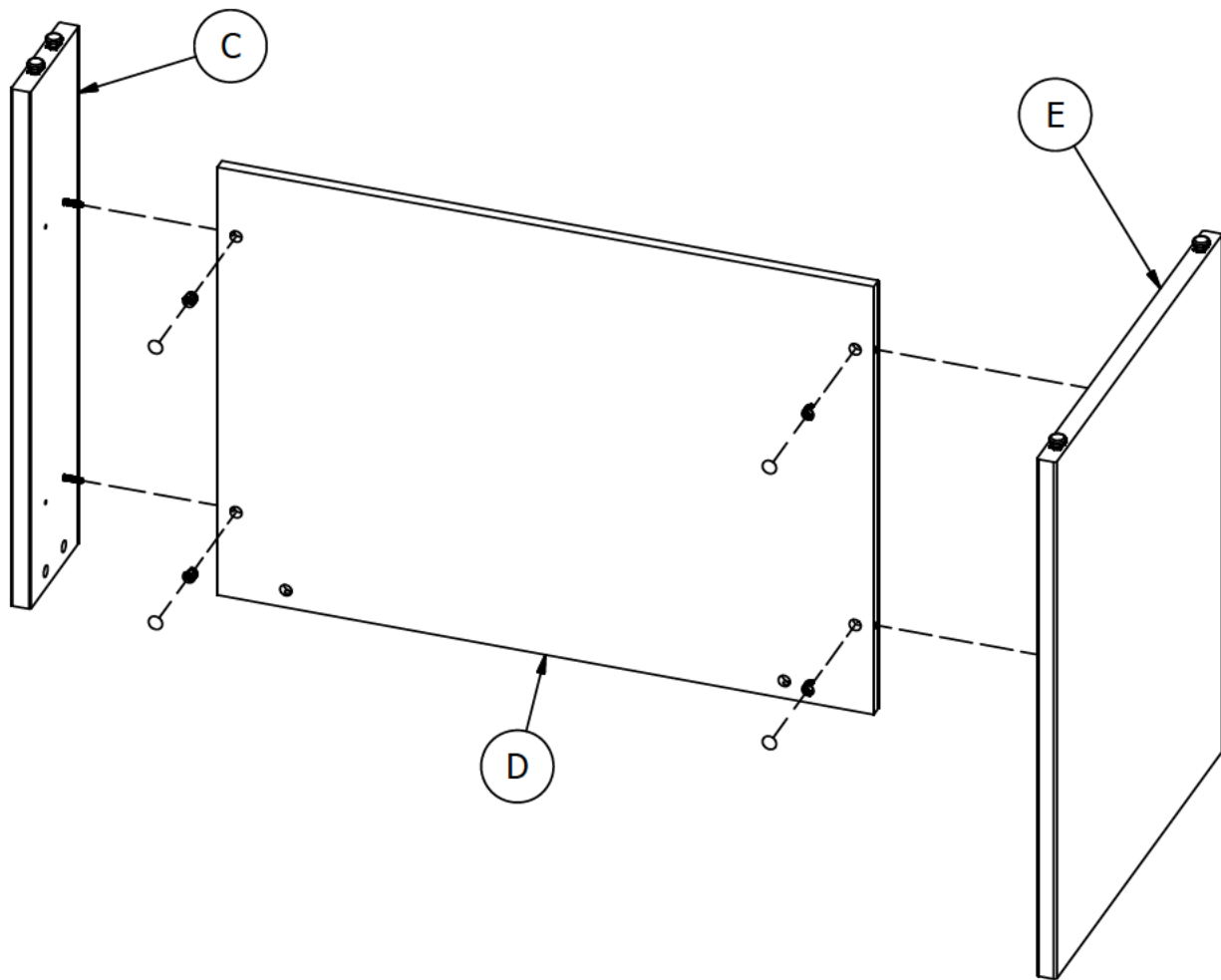
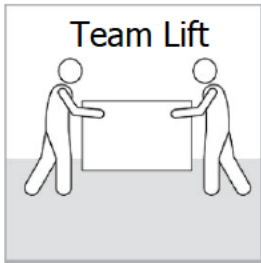
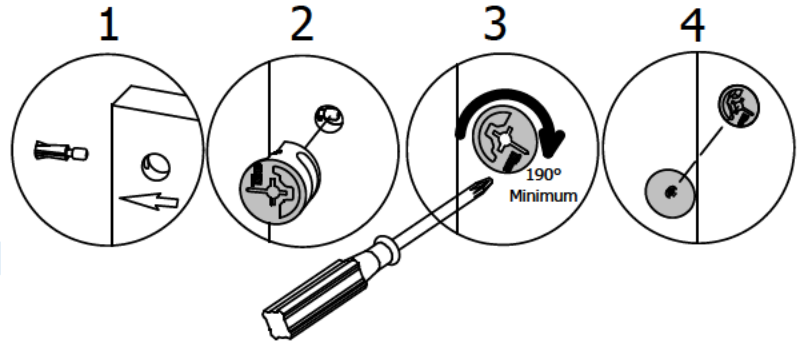
H181468US



[4]




[4]

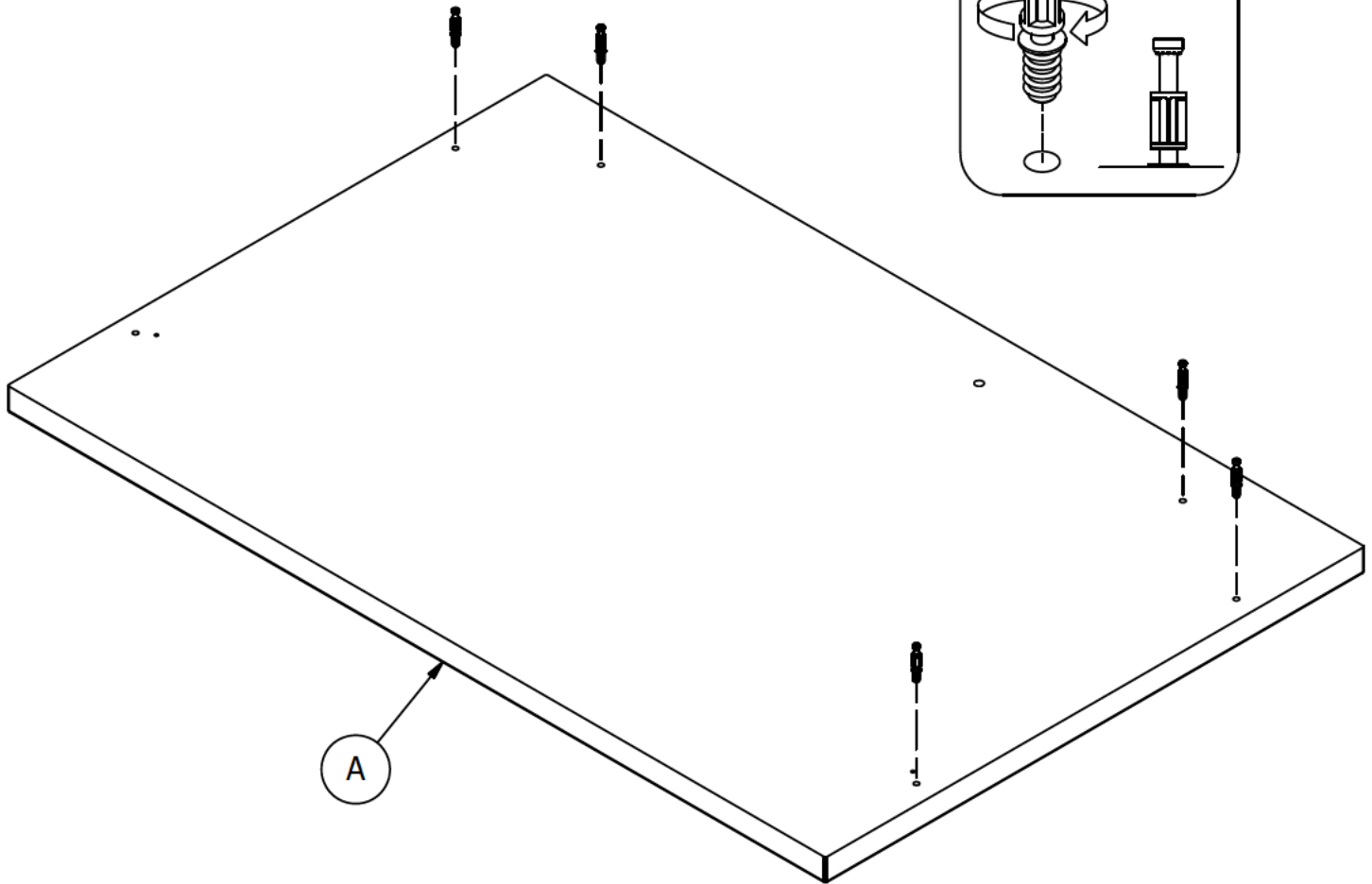
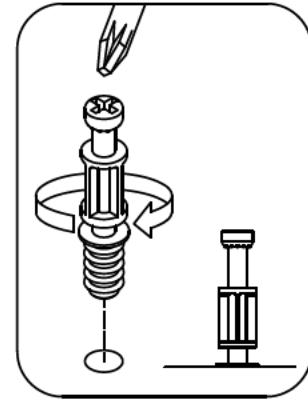


STEP 13

Prepare Panel



H72988  [5]
KD Bolt



STEP 14

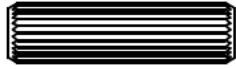
Assemble Panels

H181468US [5]



KD Cam3000

H38169 [1]

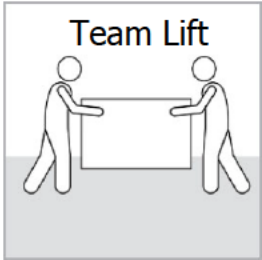
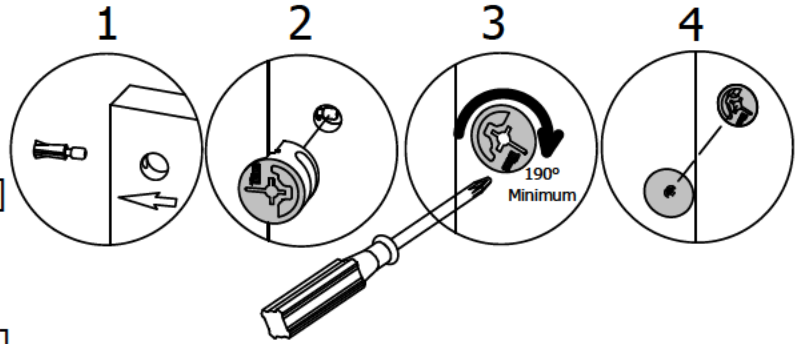


Wood Dowel 8 x 30

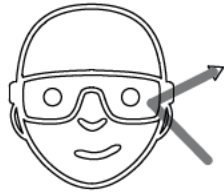


[5]

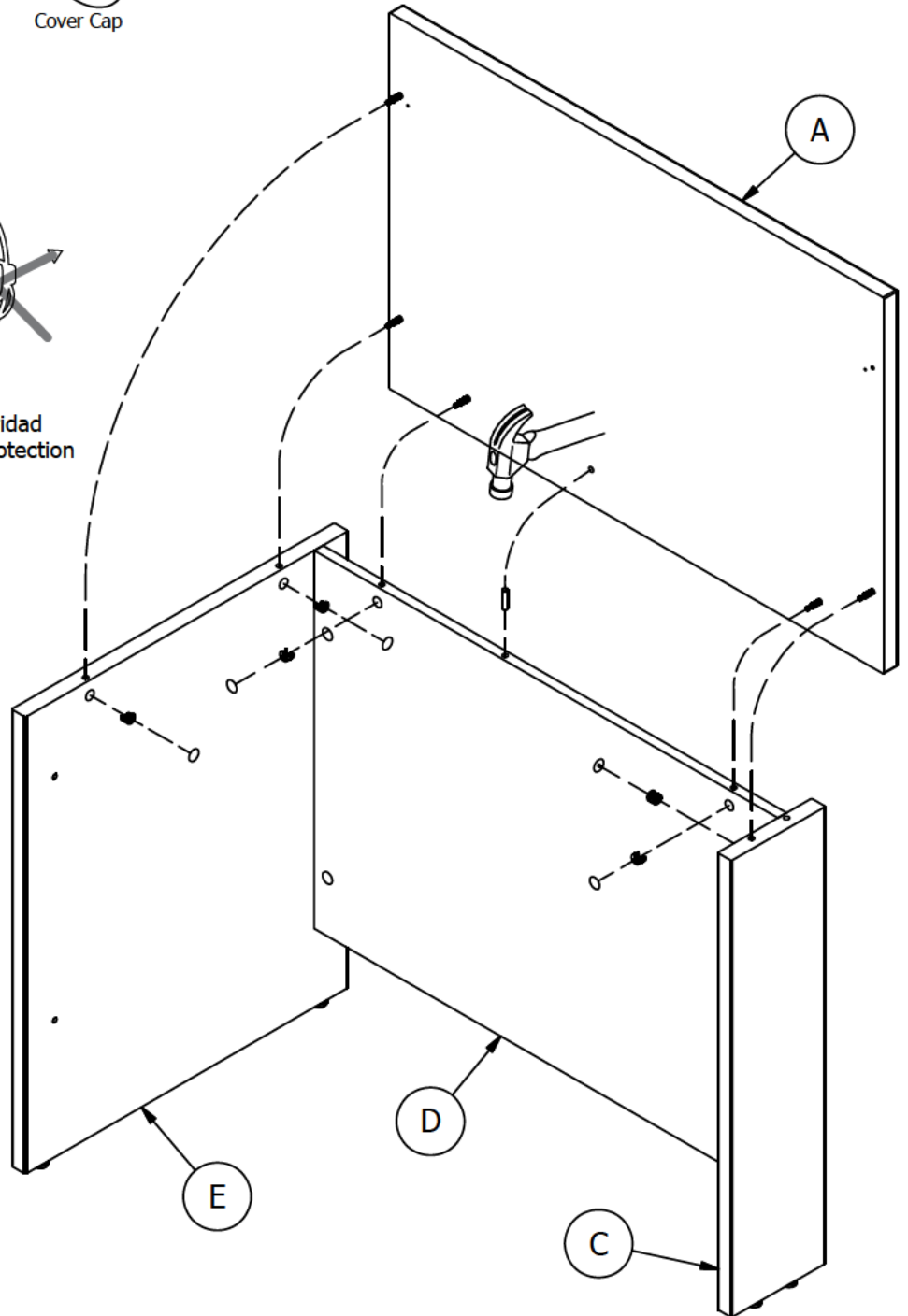
Cover Cap



Team Lift

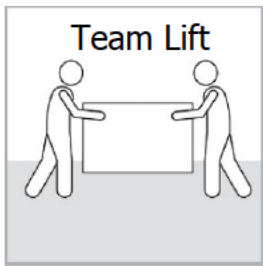


Safety glasses
Gafas de seguridad
Lunettes de protection

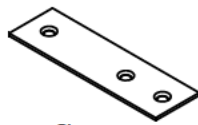


STEP 15

Attach Hardware



H92809



Strap

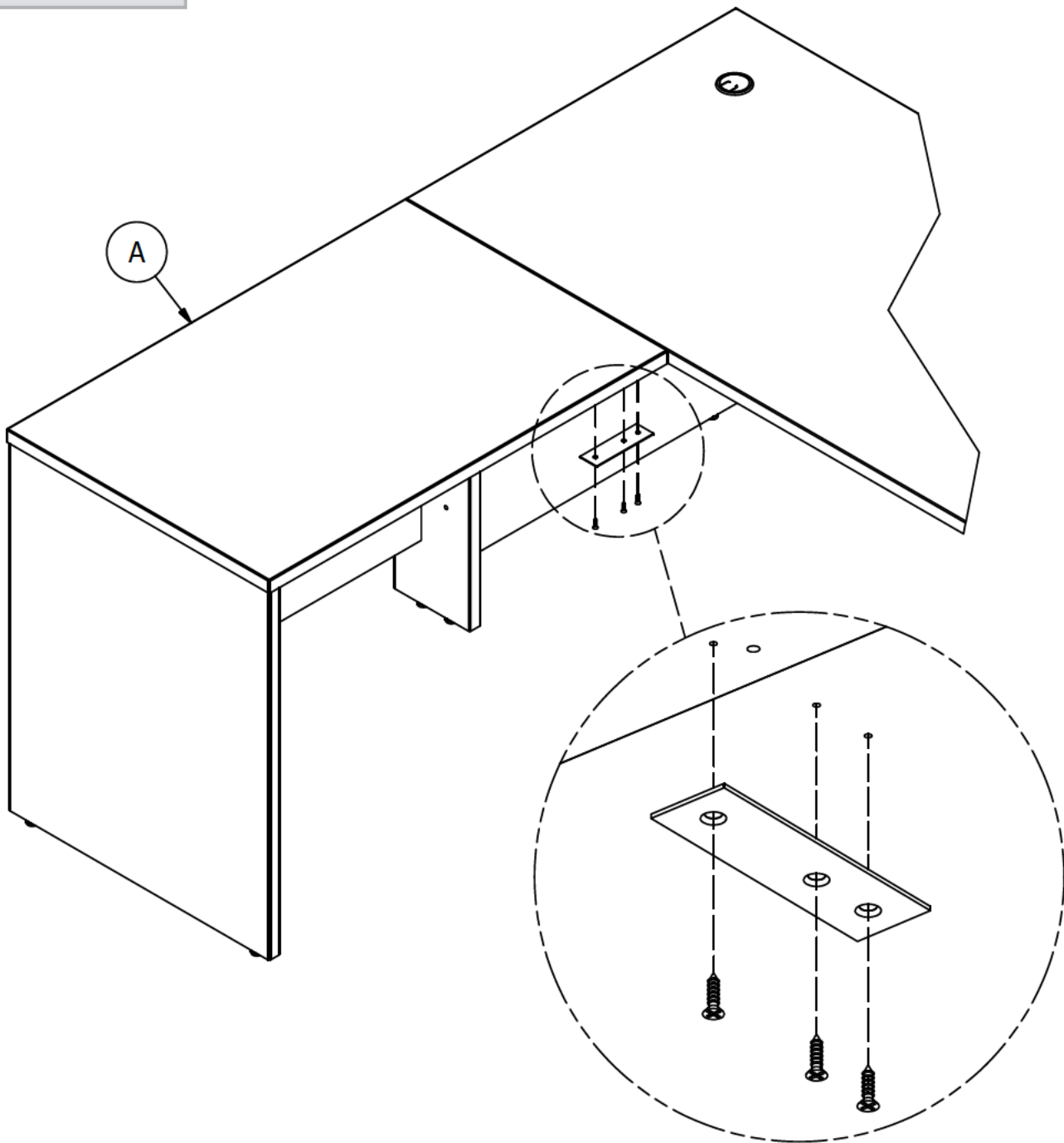
[1]

H92810

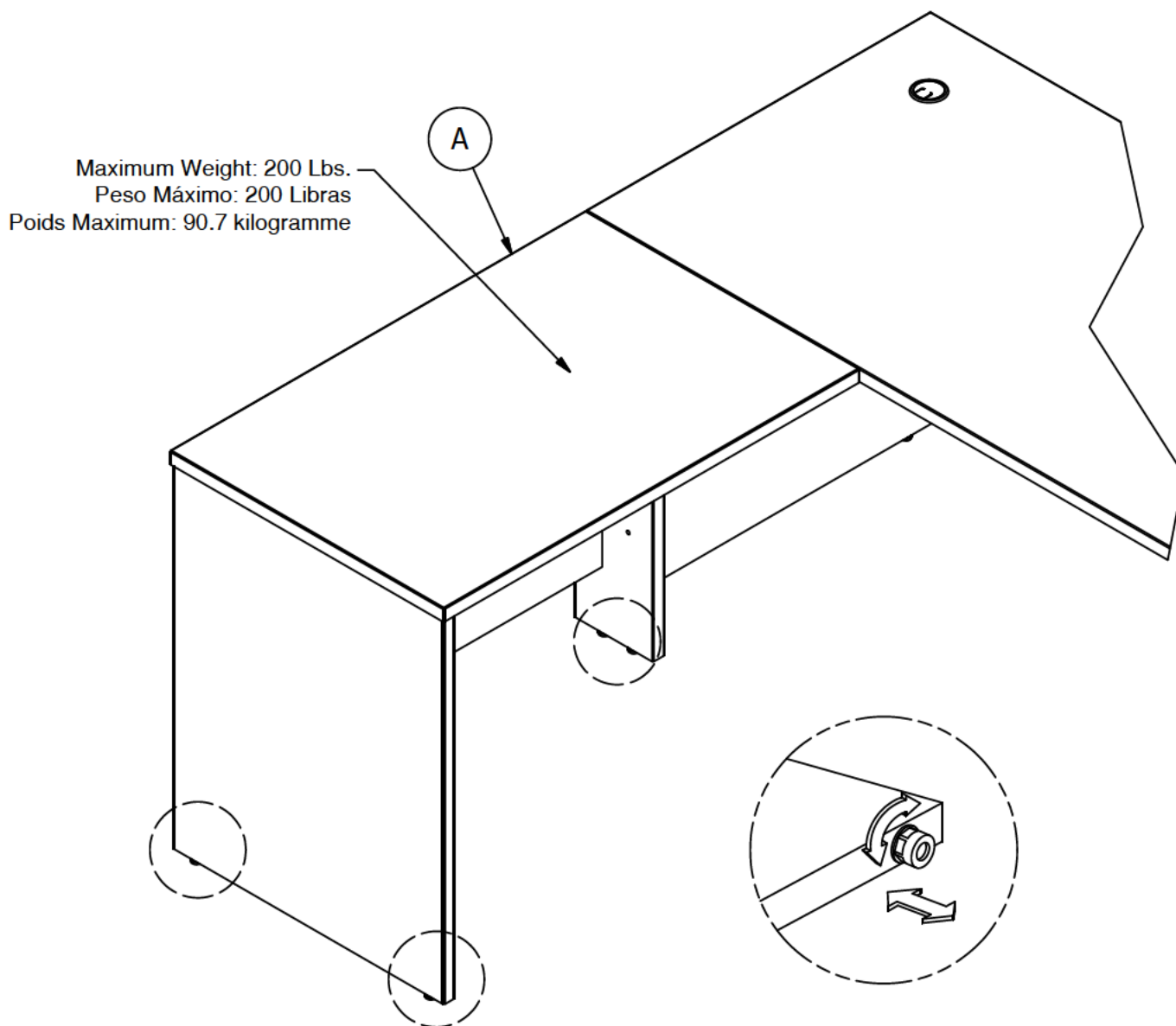


#10 x 3/4"

[3]



Gently clean surfaces with a damp sponge eraser.



Congratulations! You are all done. If you have any questions or concerns, please call.

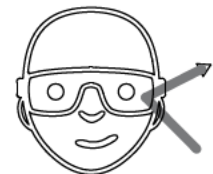
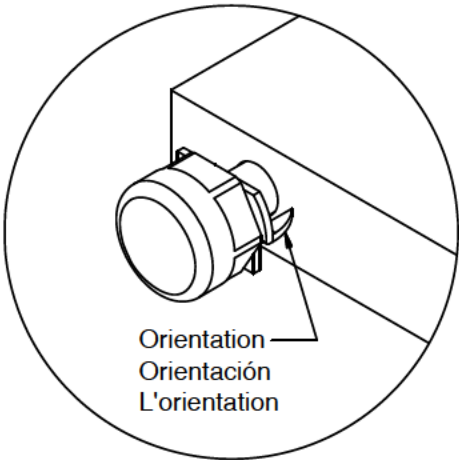
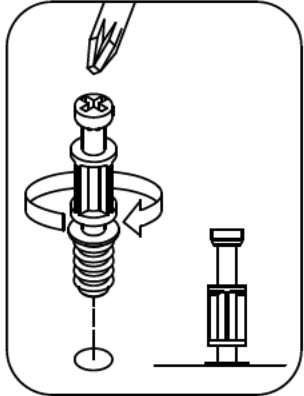
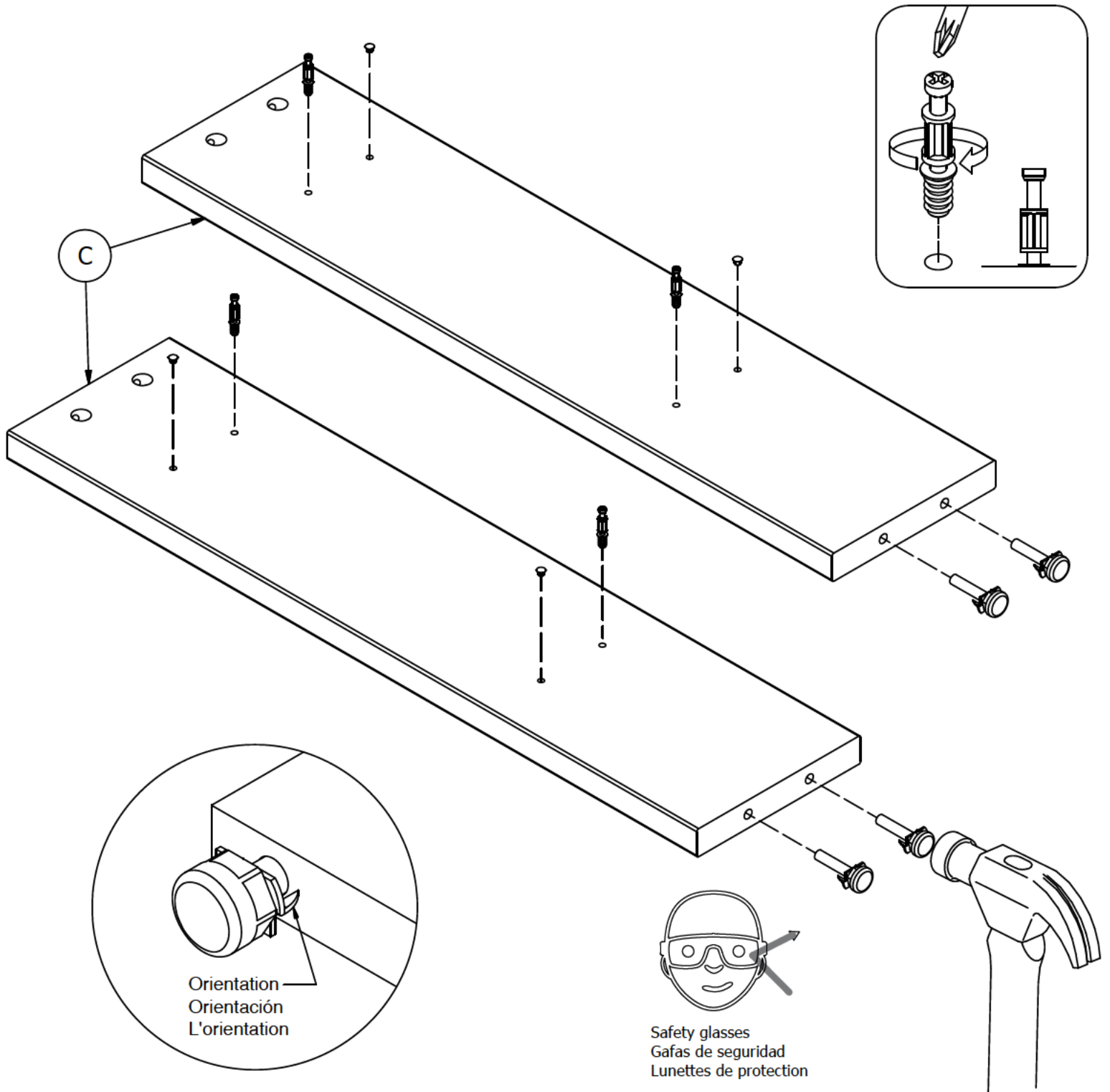
STEP 17

Prepare Panels

H72988 [4]
KD Bolt

[4]
5mm Hole Plug

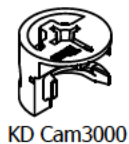
H209601 [4]
Leveler



STEP 18

Assemble Panels

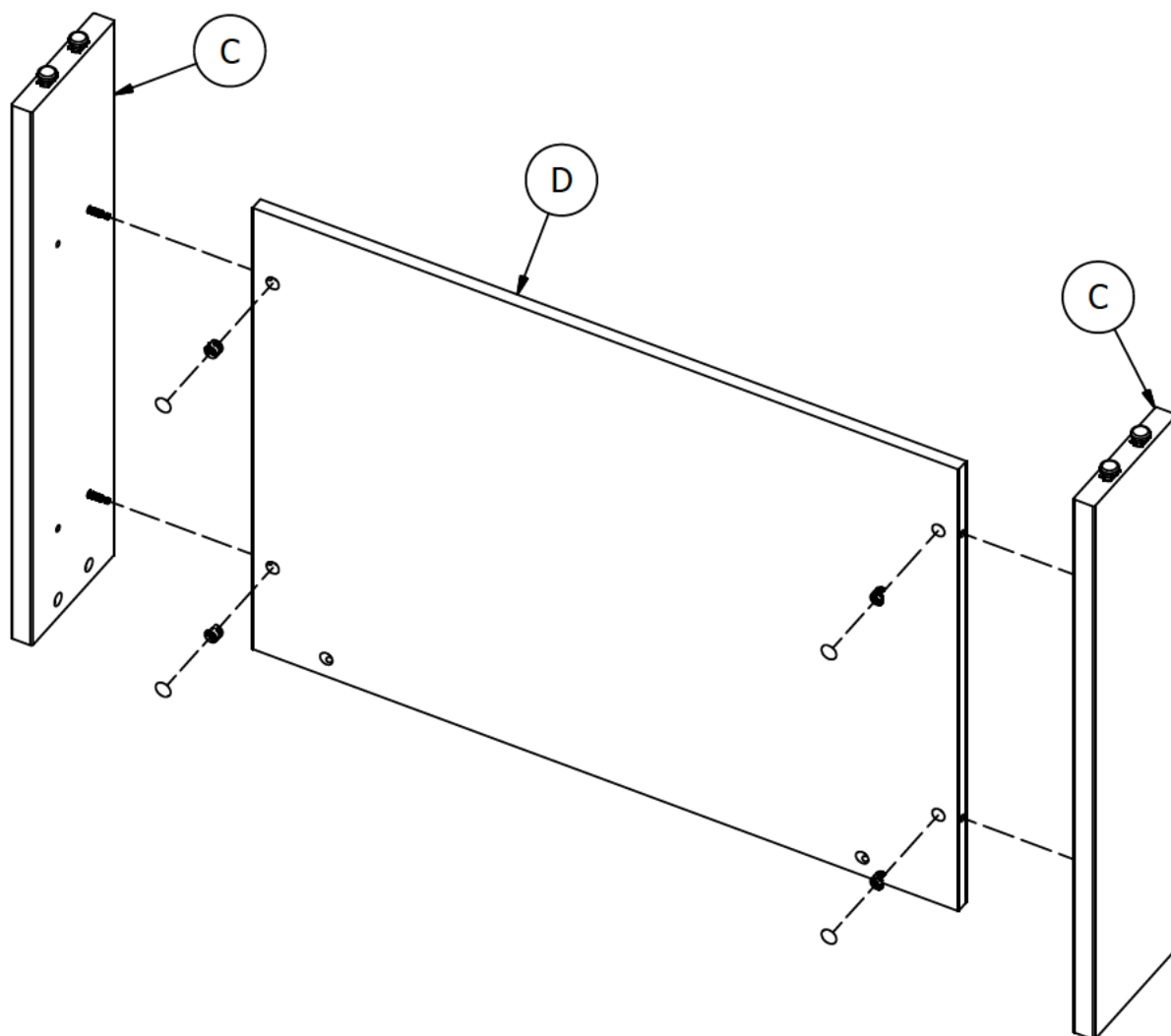
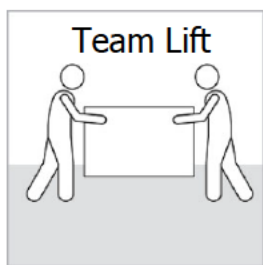
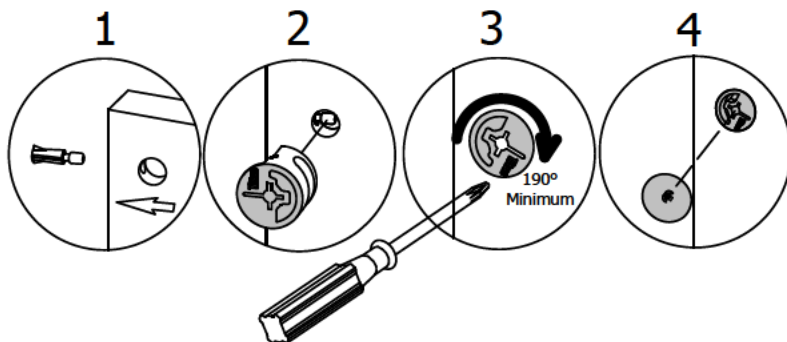
H181468US



[4]



[4]



STEP 19

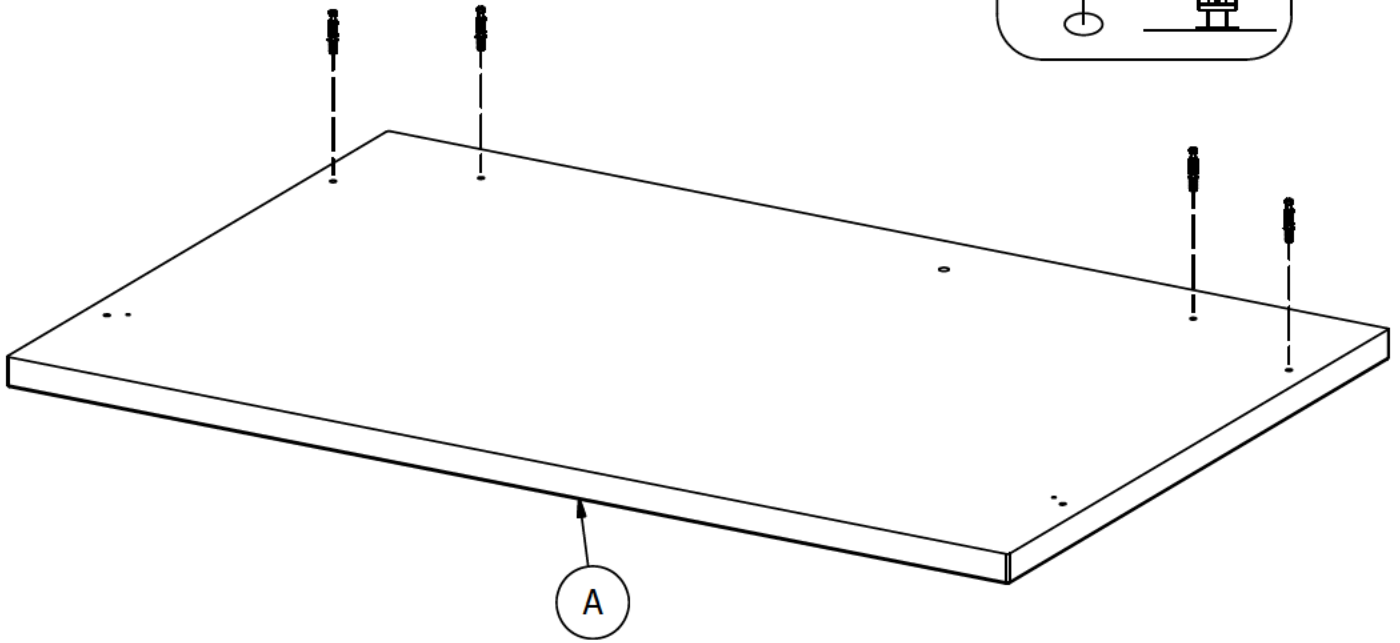
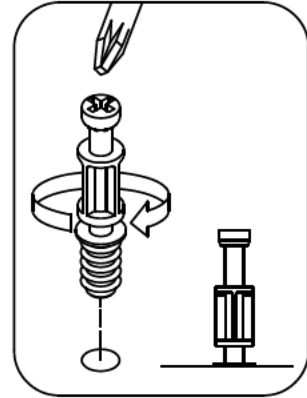
Prepare Panel

H72988



[4]

KD Bolt



STEP 20

Assemble Panels

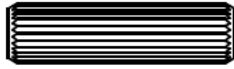
H181468US



[4]

KD Cam3000

H38169



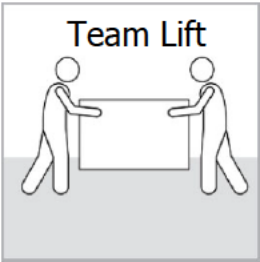
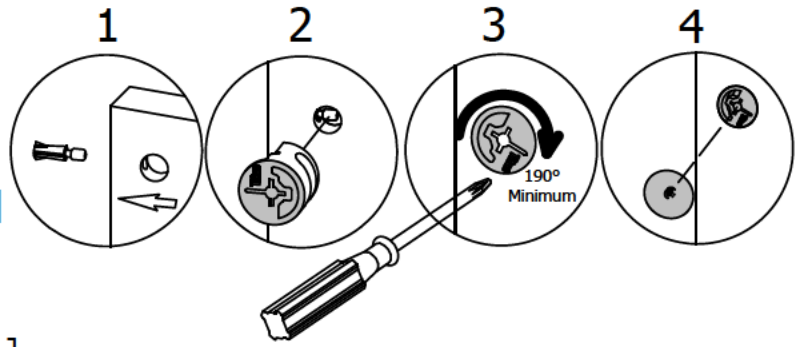
[1]

Wood Dowel 8 x 30

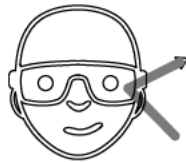


[4]

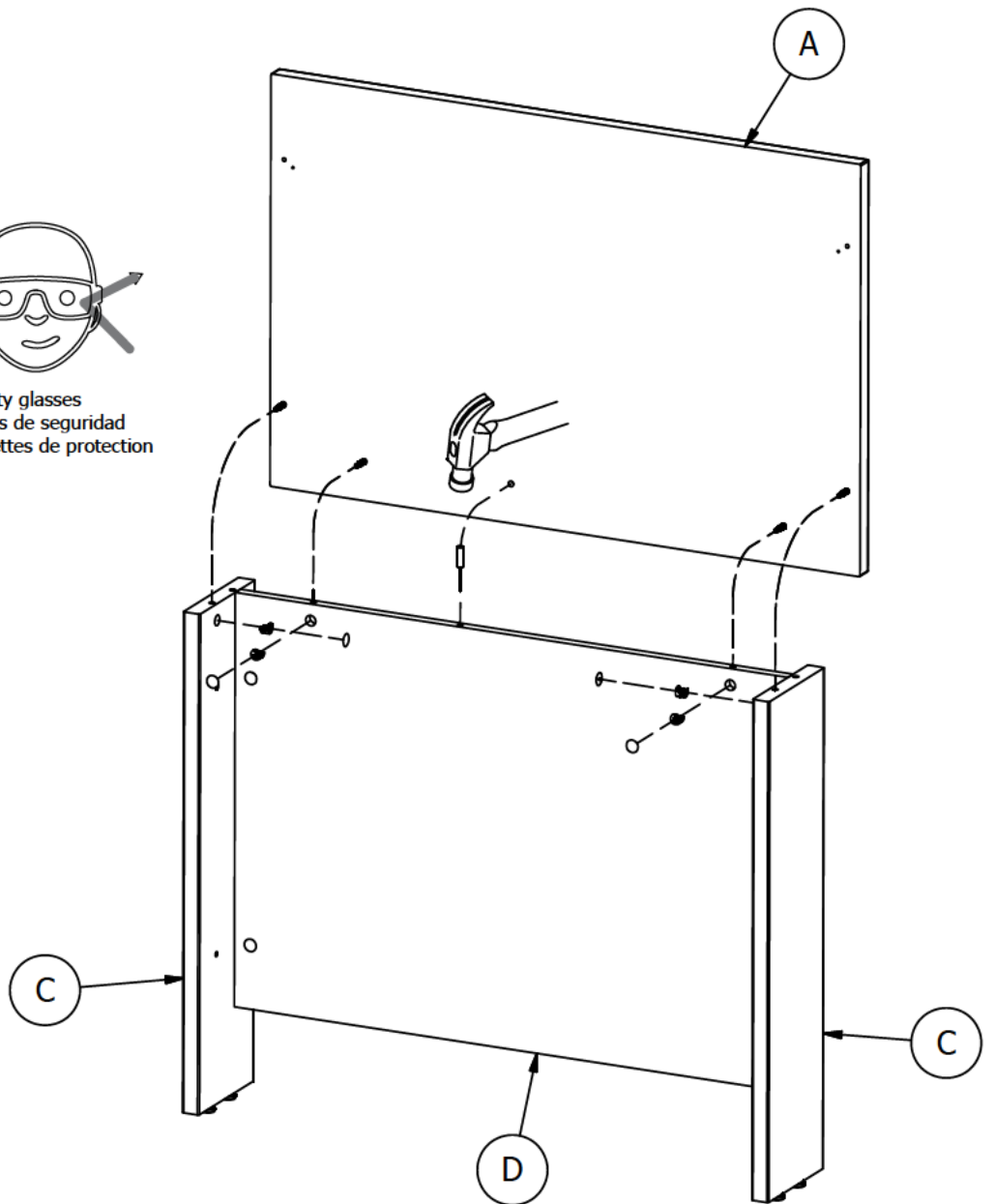
Cover Cap



Team Lift

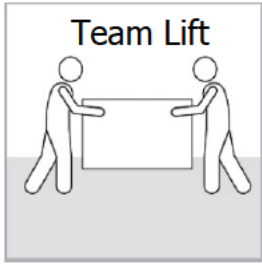


Safety glasses
Gafas de seguridad
Lunettes de protection

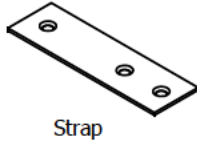


STEP 21

Attach Hardware

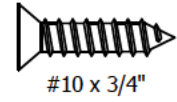


H92809

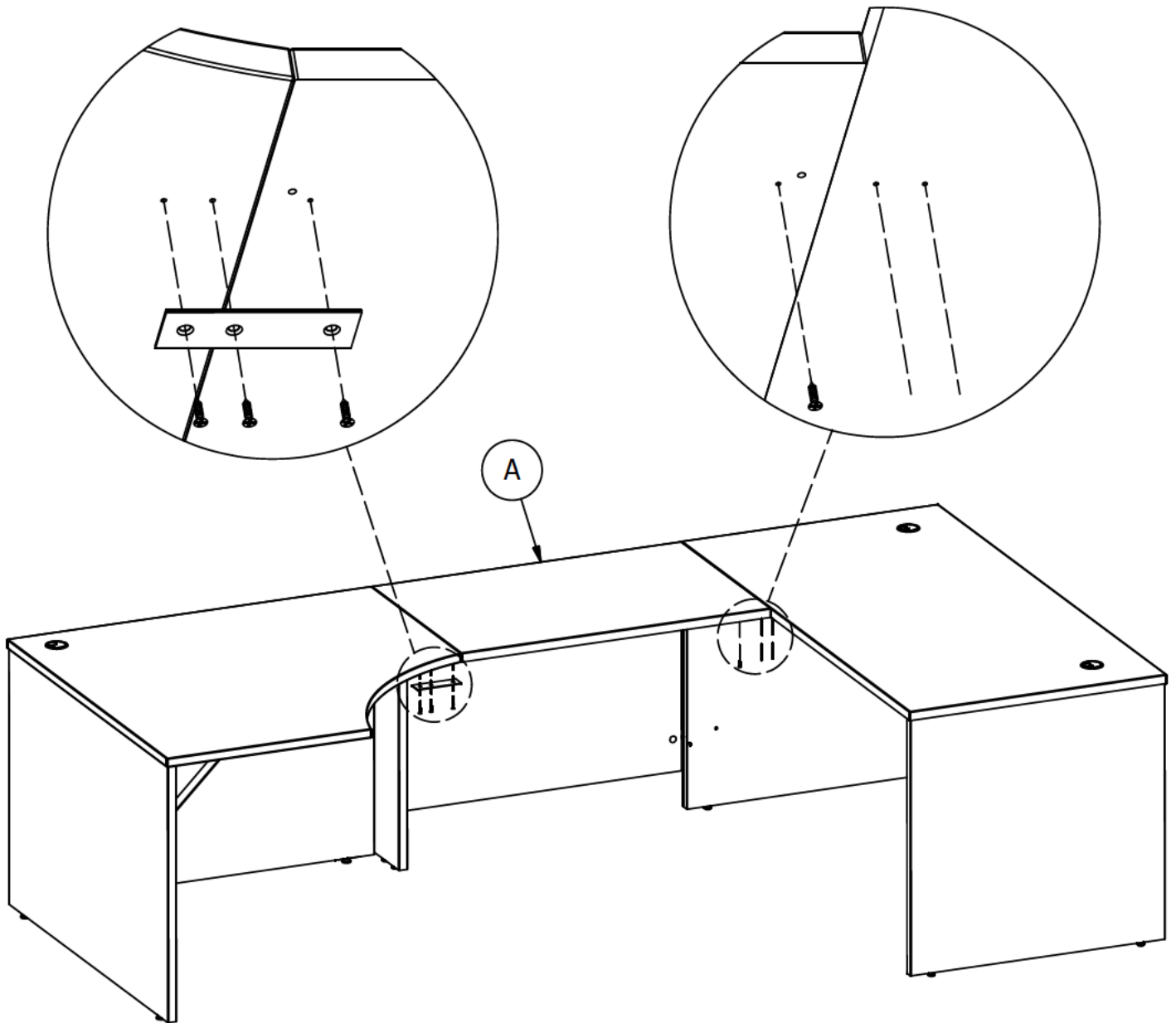


[2]

H92810



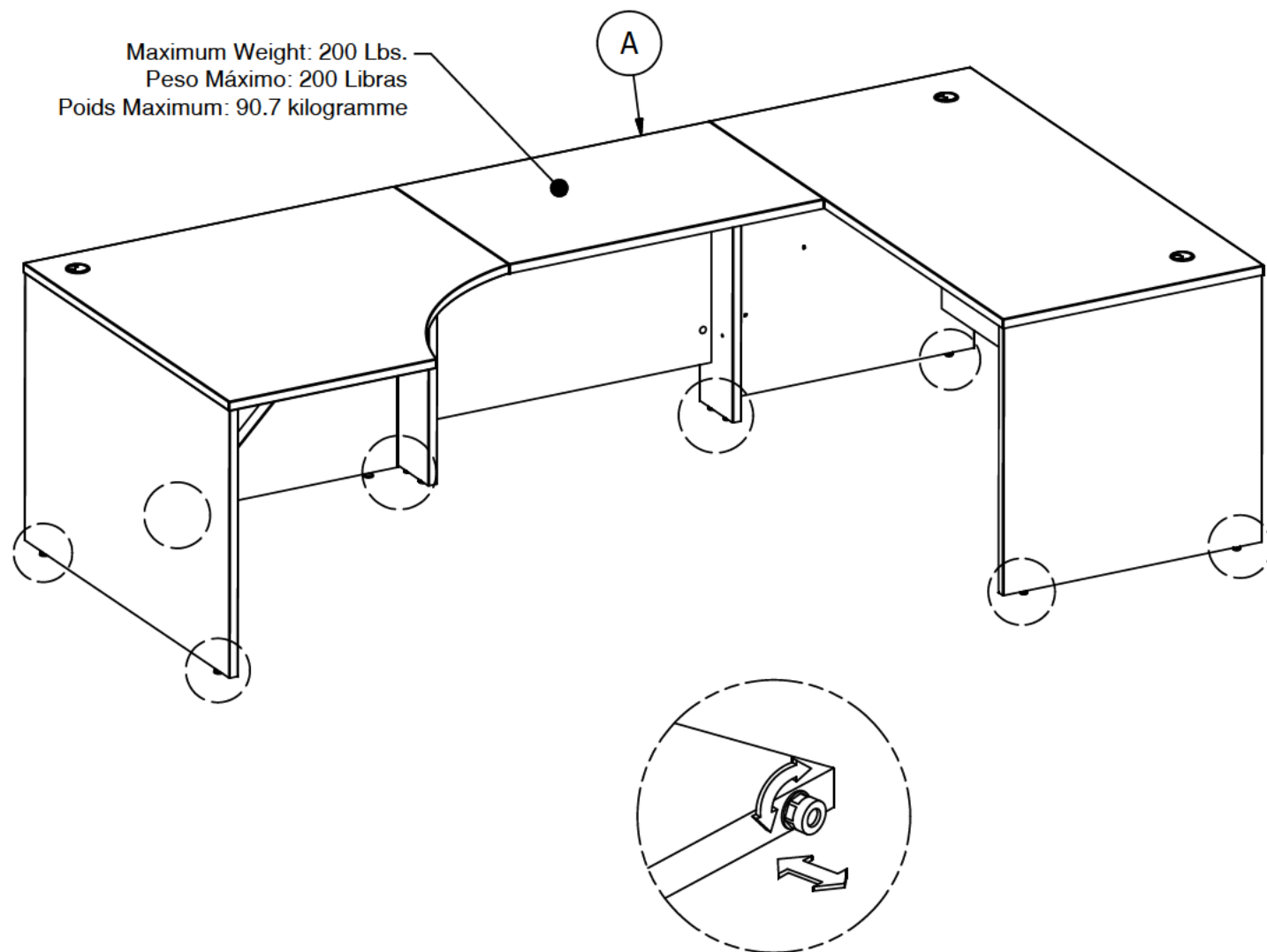
[6]



STEP 22

Maximum Loading and Cleaning

Gently clean surfaces with a damp sponge eraser.

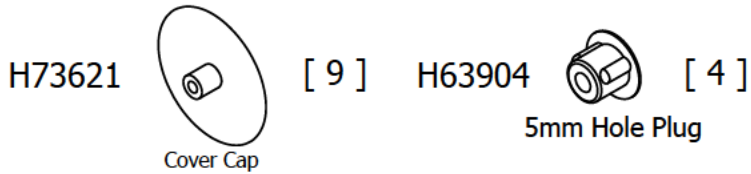


Congratulations! You are all done. If you have any questions or concerns, please call.

PARTS LIST

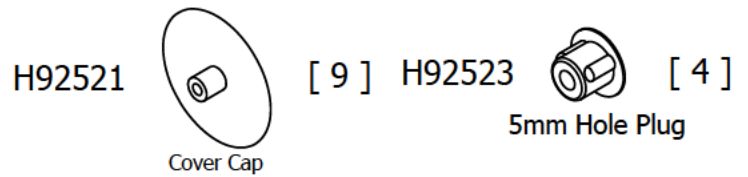
WC12918

| | | |
|---|-------|---------|
| A | [1] | W206477 |
| C | [2] | W186421 |
| D | [1] | W177120 |
| E | [1] | W206269 |



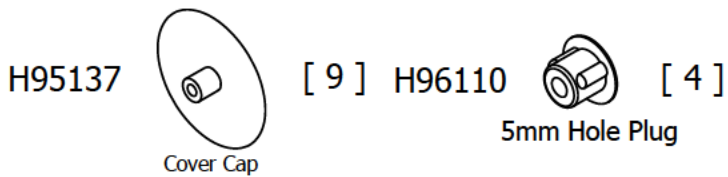
WC24418

| | | |
|---|-------|---------|
| A | [1] | W206478 |
| C | [2] | W186424 |
| D | [1] | W177122 |
| E | [1] | W206264 |



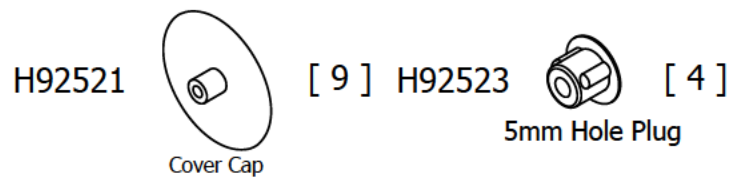
WC24518

| | | |
|---|-------|---------|
| A | [1] | W206478 |
| C | [2] | W186422 |
| D | [1] | W176098 |
| E | [1] | W206263 |



SCR136SG

| | | |
|---|-------|---------|
| A | [1] | W214703 |
| C | [2] | W189353 |
| D | [1] | W214705 |
| E | [1] | W206266 |



SCR136WH

| | | |
|---|-------|---------|
| A | [1] | W214707 |
| C | [2] | W191879 |
| D | [1] | W214709 |
| E | [1] | W206268 |

