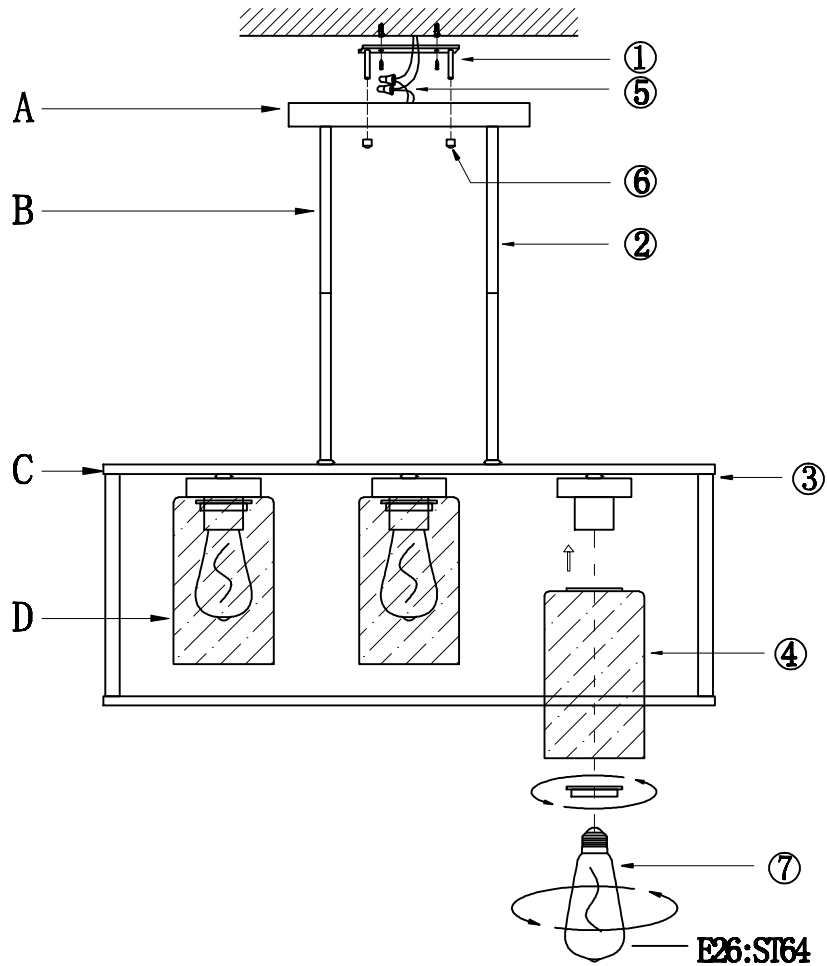


Installation instructions

Installation sequence diagram



Please complete the assembly in sequence:

- ① ② ③ ④ ⑤ ⑥ ⑦

assembly parts list

Serial Number	picture	Accessory Name	quantity
A		canopy	1 PCS
B		Boom	4 PCS
C		Metal lamp holder	1 PCS
D		Glass Lampshade	3 PCS
E			
F			