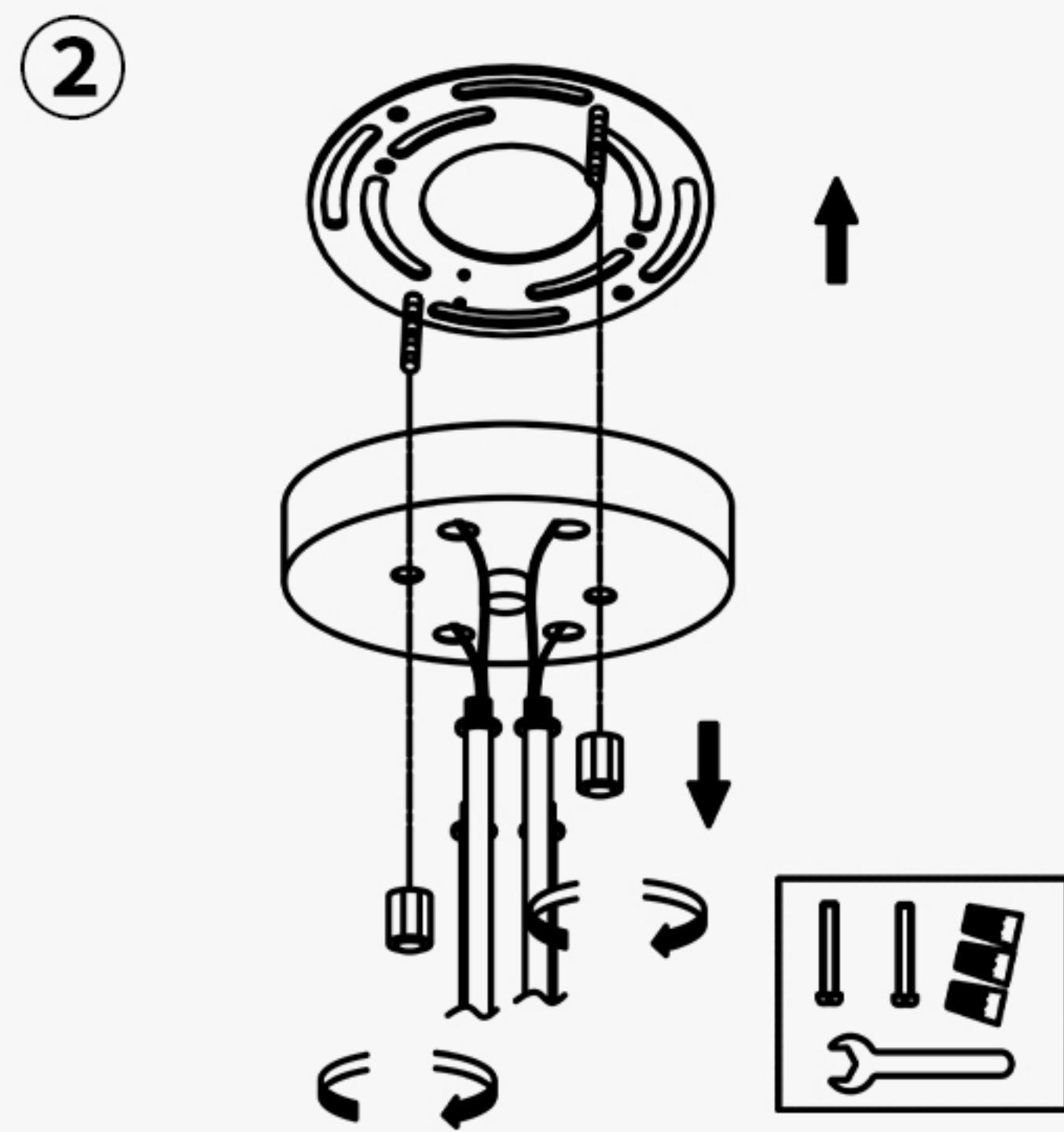
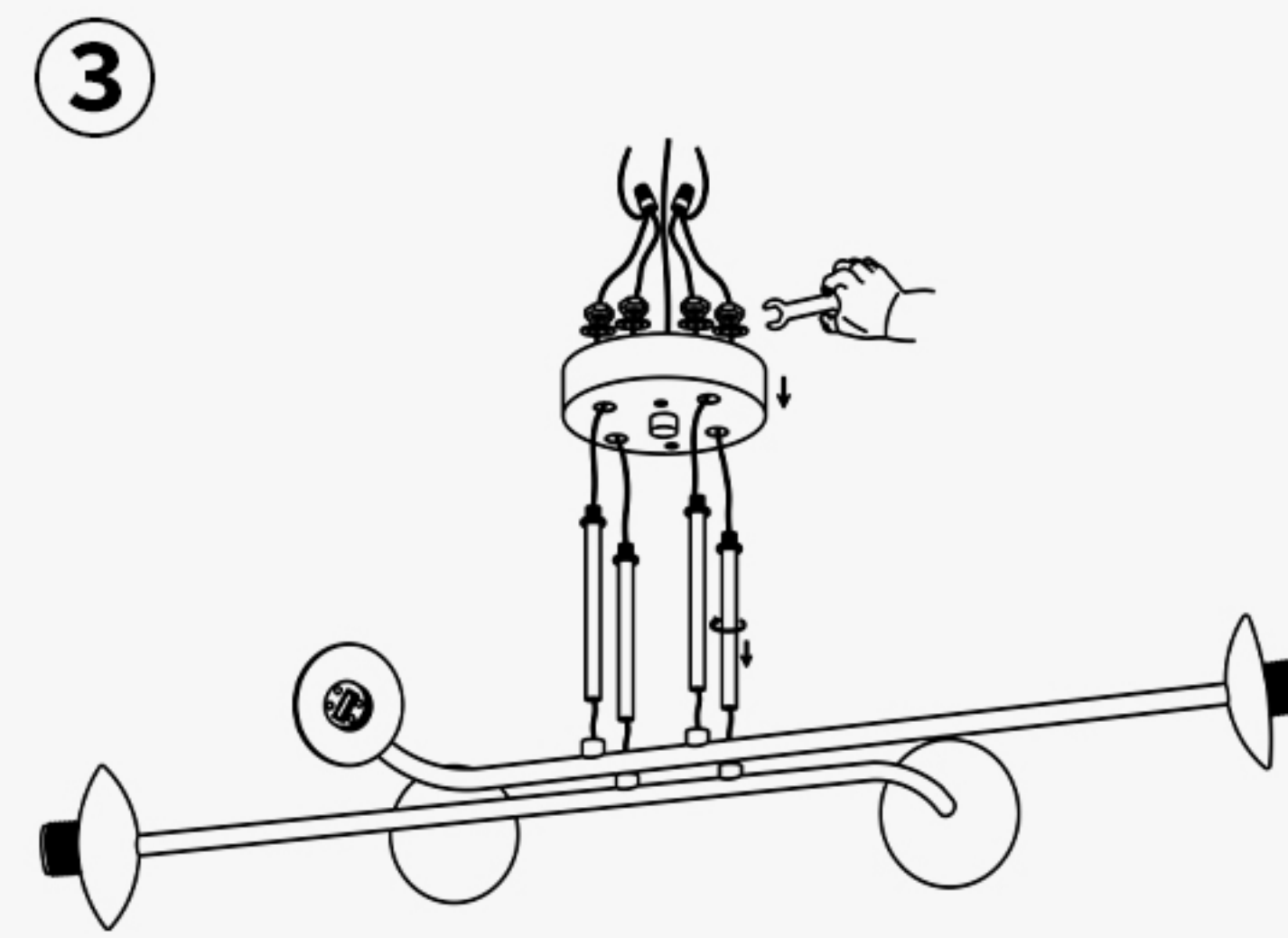


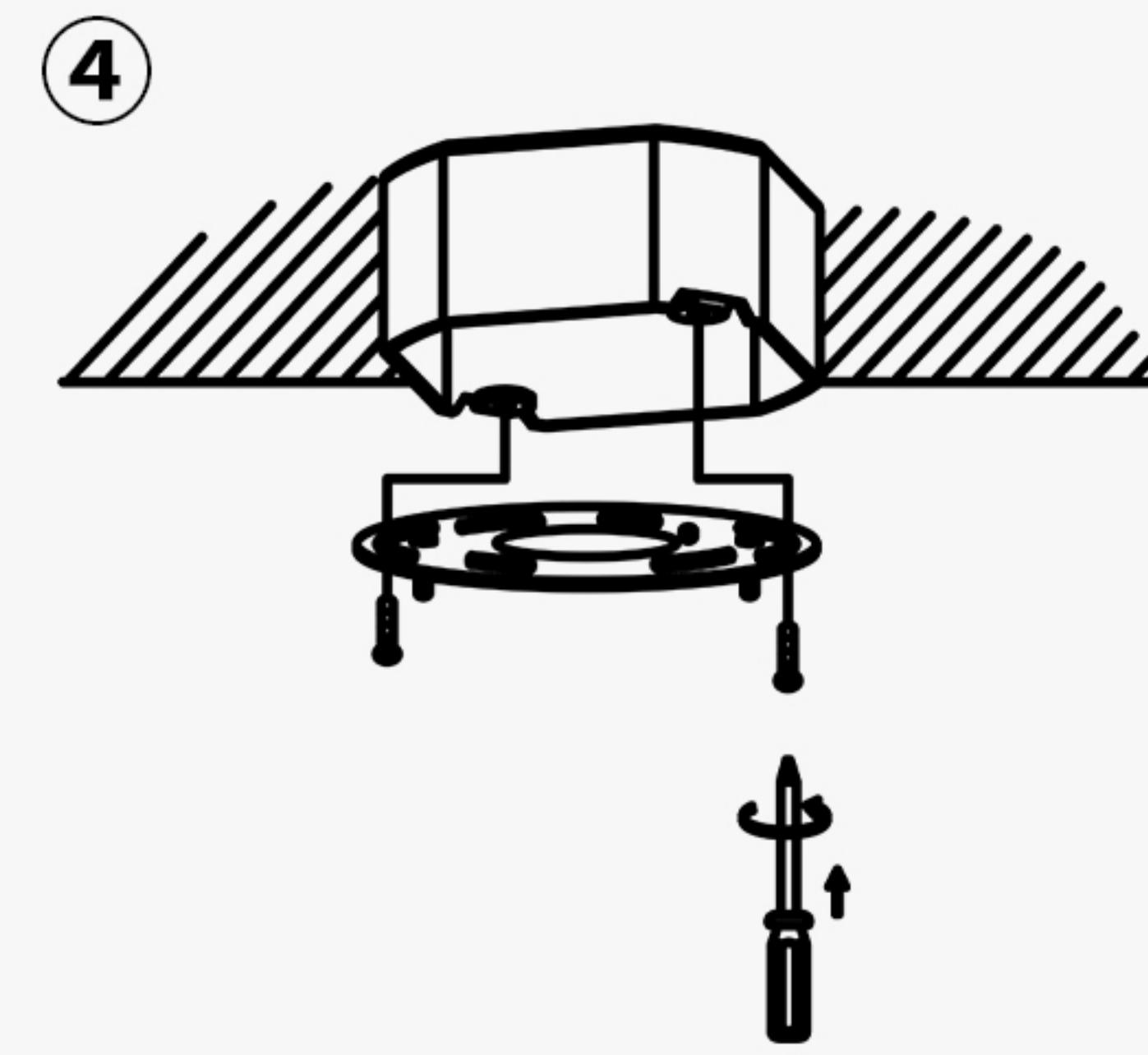
1. Turn off the power.



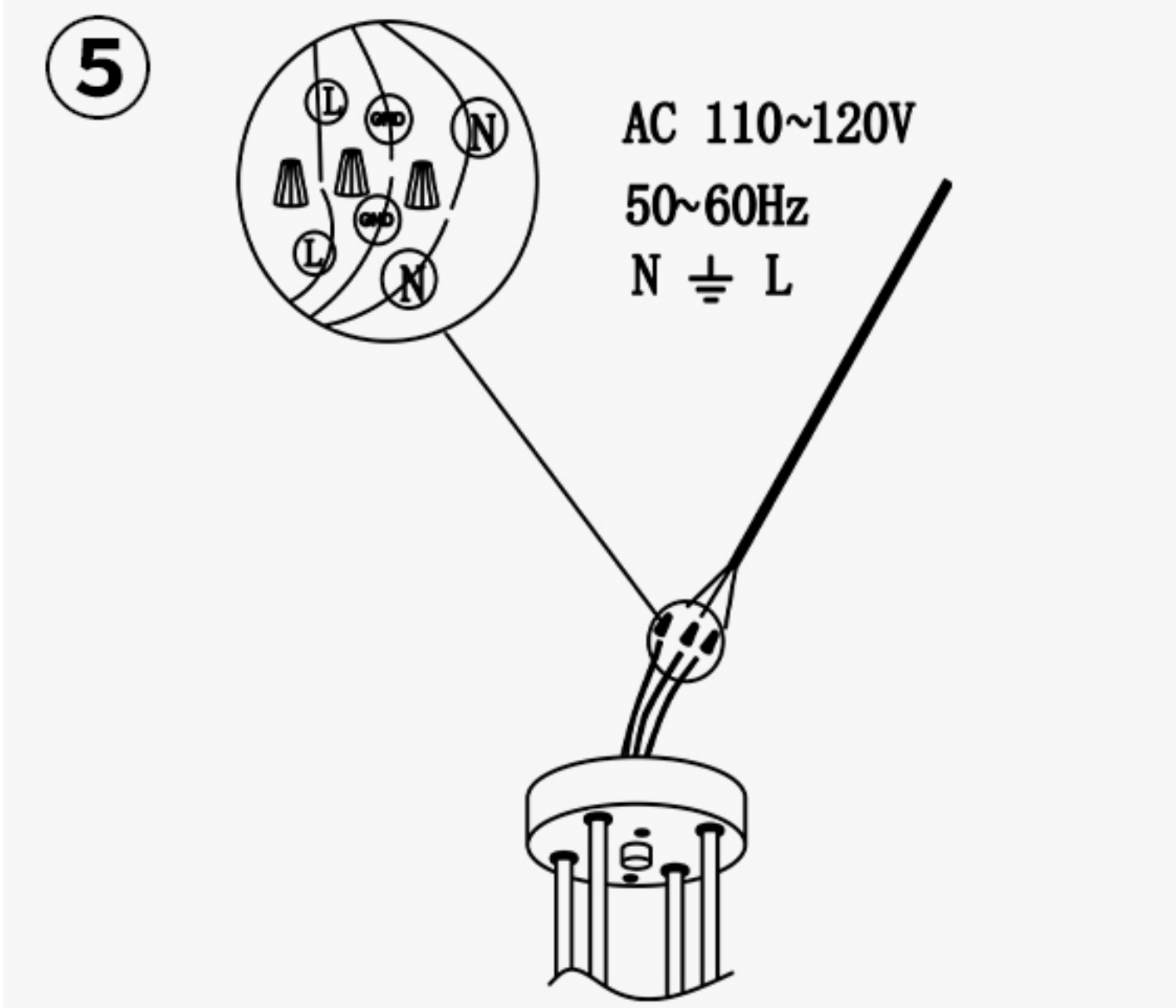
2. Unscrew the two nuts (E) on the canopy(F).



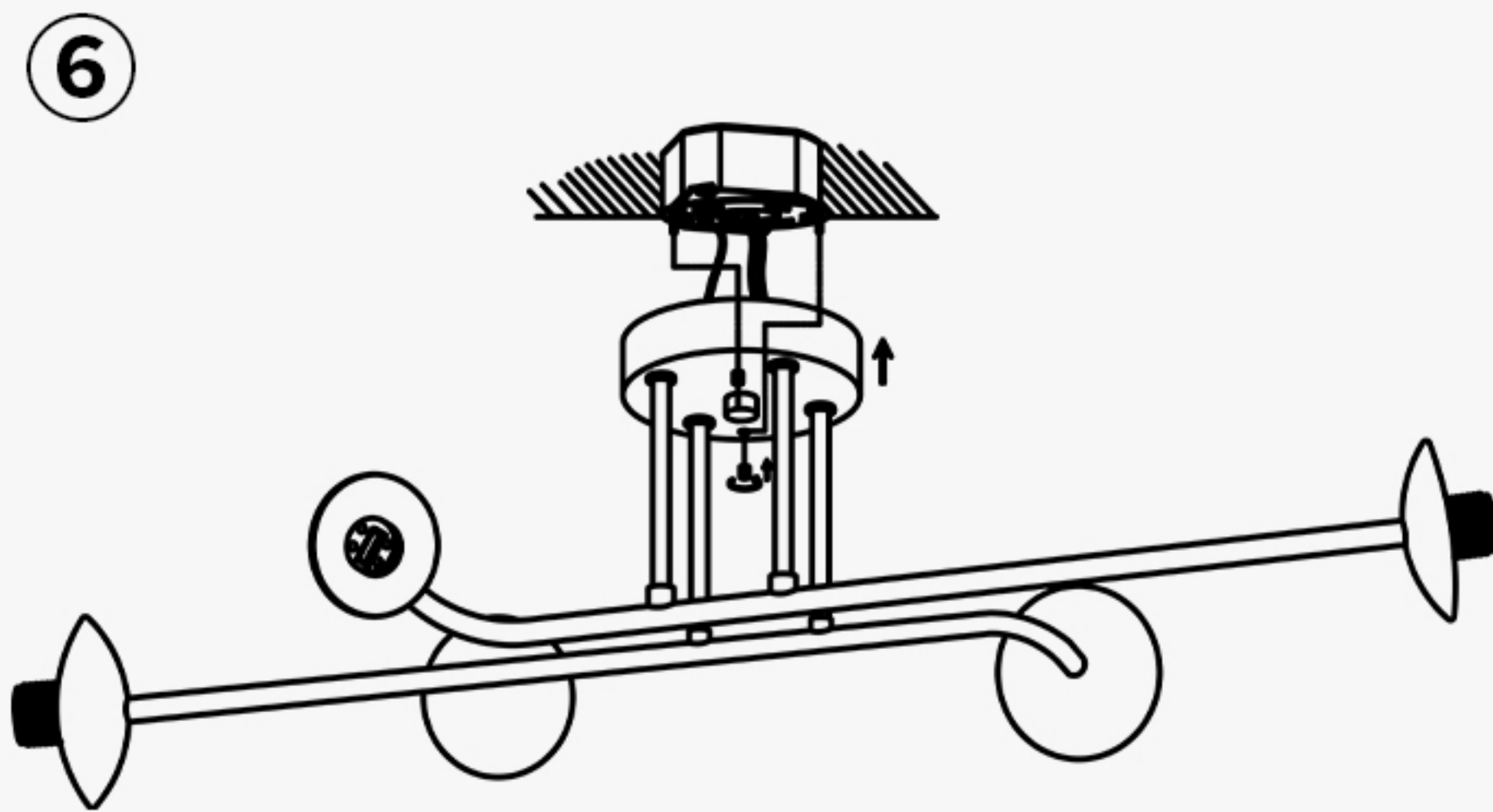
3. The rod (G) all twisted in the light arm (H), four rod aligned with the canopy hole through then use a wrench (K) to tighten the nut firmly.



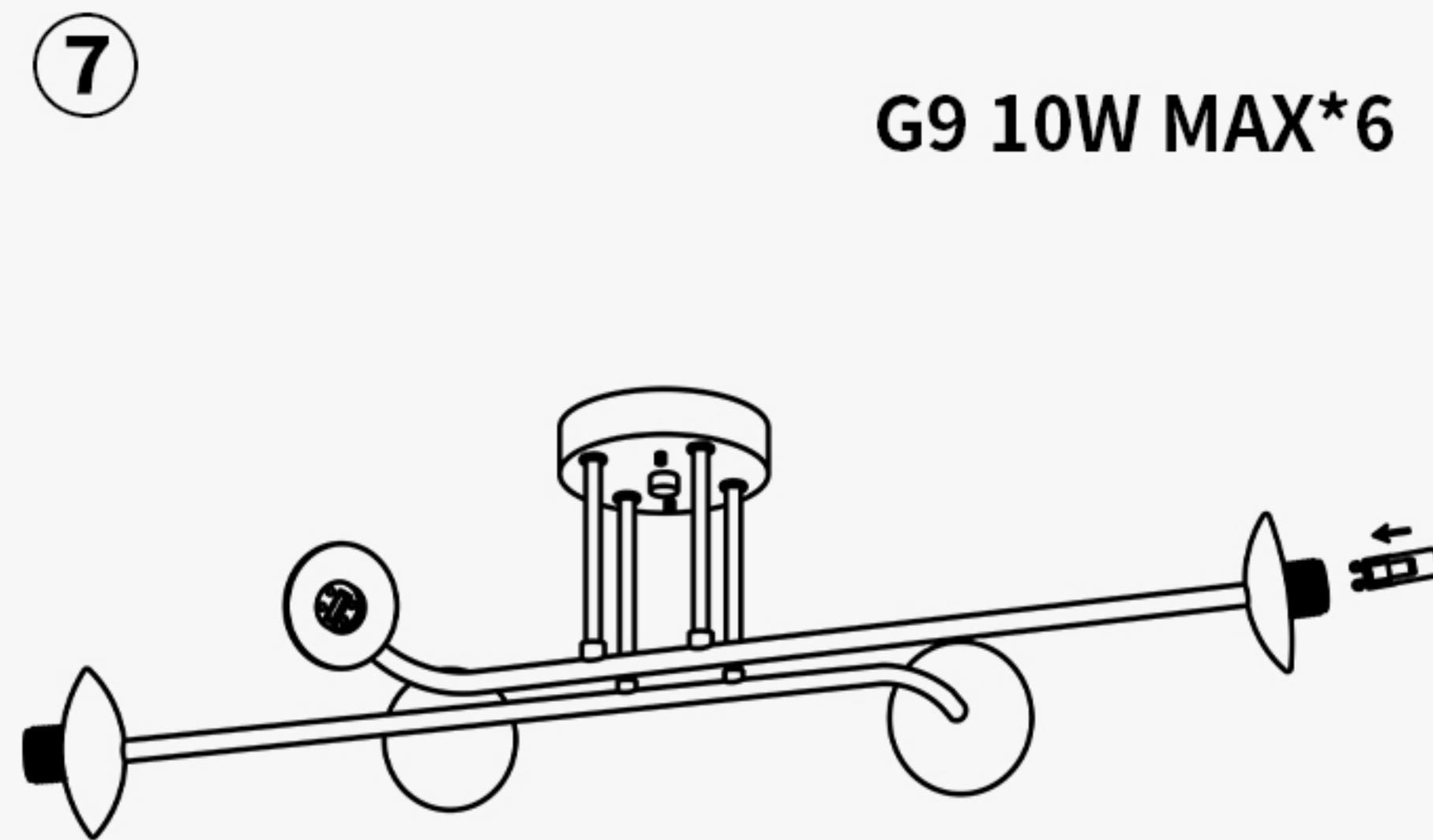
4. Twisted the mounting plate (D) on the junction box (A) with two screws (B) .



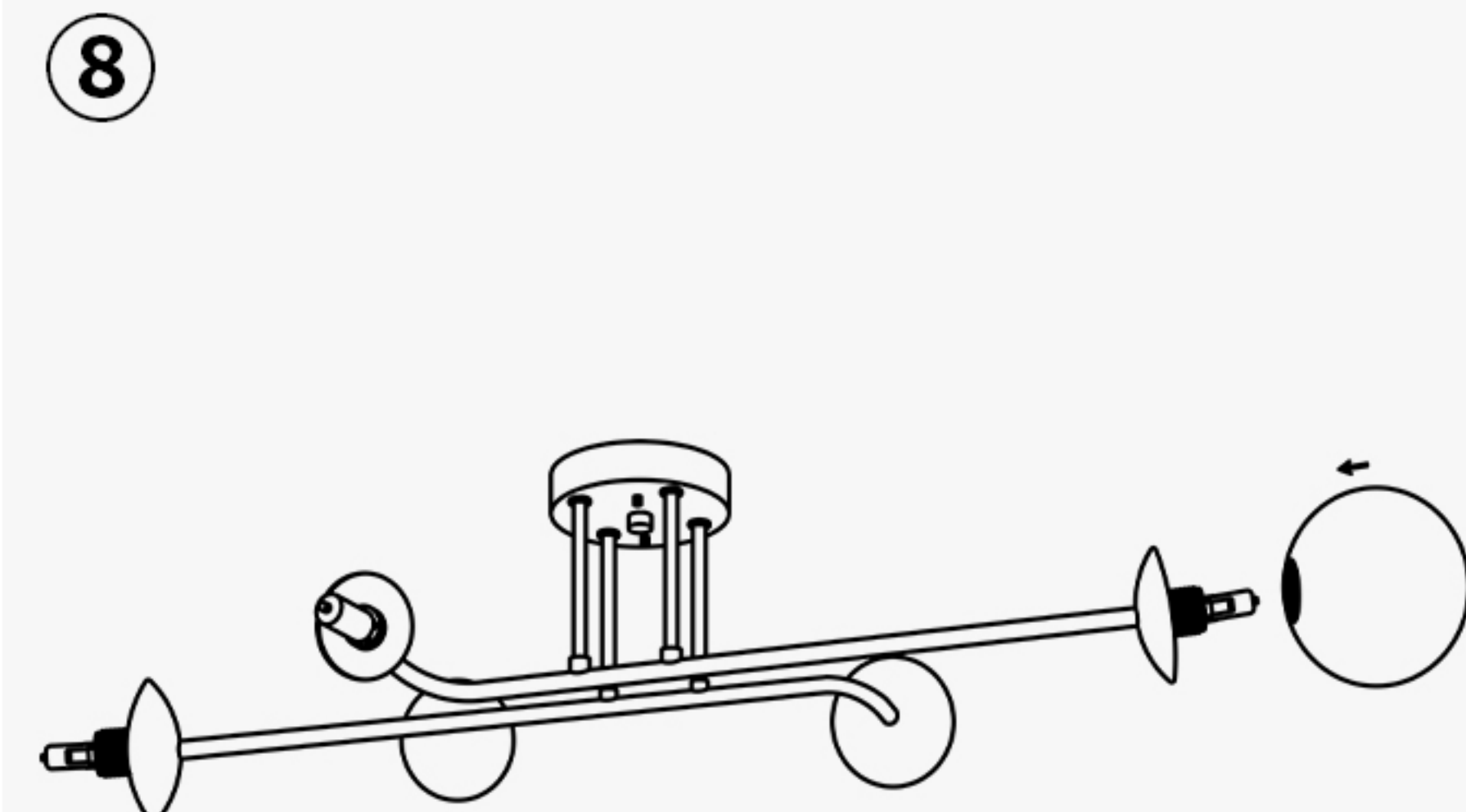
5. Positive and negative, ground should be connected to the wire, electrician's tape to wrap the wiring cap (C).
AC 110~120V
50~60Hz
N ≠ L



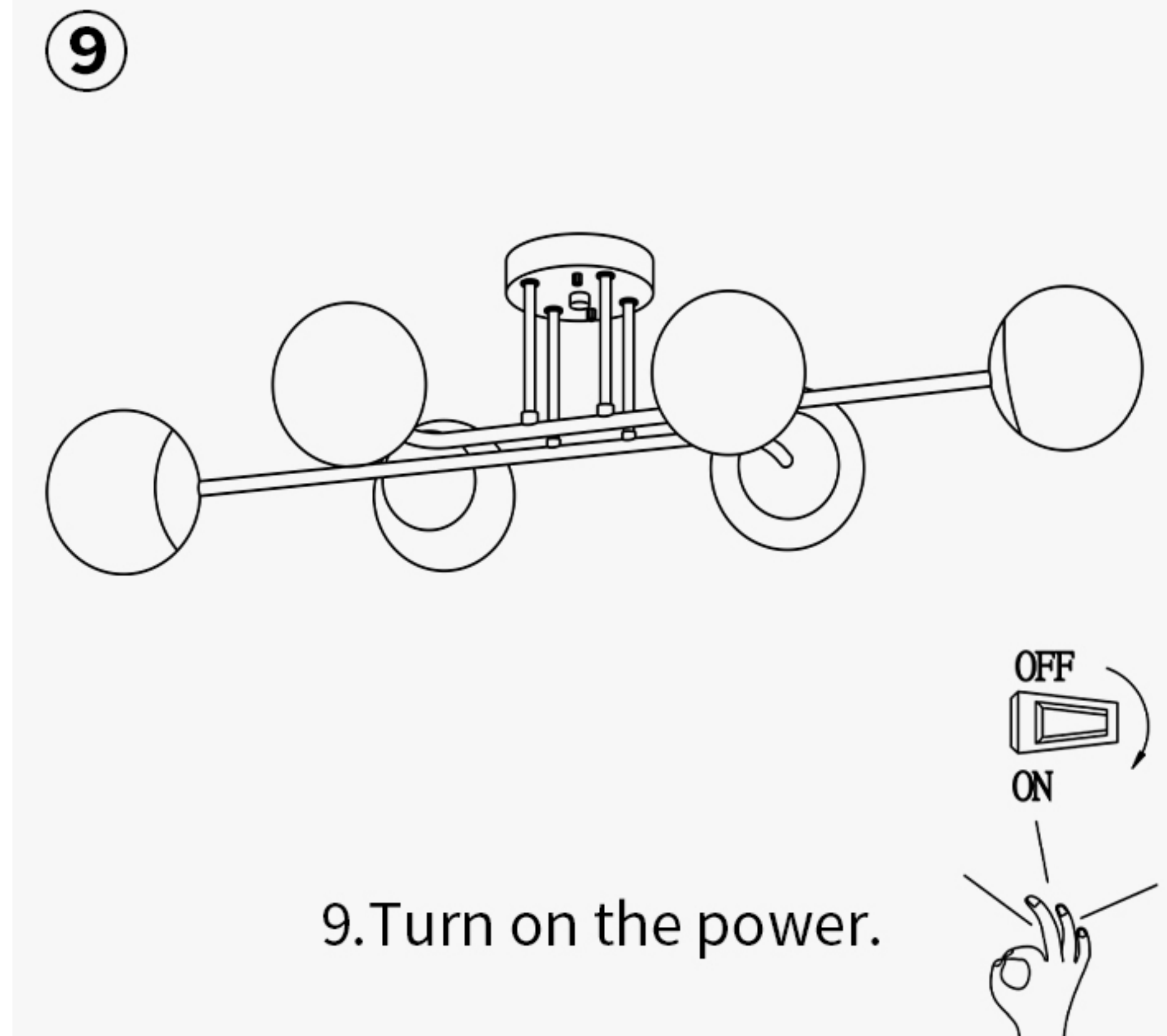
6. Lift the whole lamp upward, two holes on the canopy(F) to the mounting plate screws, tighten the nut (E).



7. Install the light bulbs(Not included).

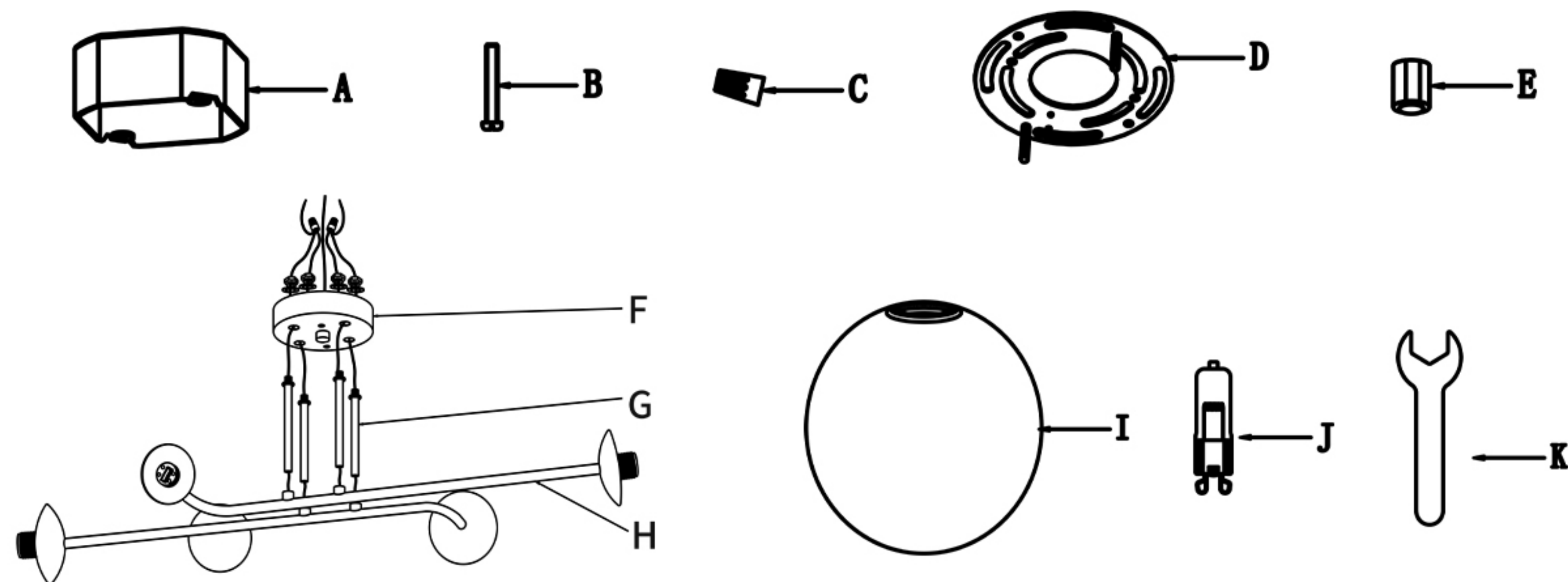


8. Install the glass shade.



9. Turn on the power.

Accessories:



- A: Junction Box*0
- B: Screws*2
- C: Wiring Cap*3
- D: Mounting Plate*1
- E: Nut*2
- F: Canopy*1
- G: Rod*4
- H: Light Arm*2
- I: Glass Shade*6
- J: Bulb*0
- K: Wrench*1

Notice: This light fixture should be installed in accordance with all applicable, local installation codes, and by a person familiar with the construction and operation of it, as well as the hazards involved. Inspect items and contents carefully. If any damage or defect is found, do not install it.