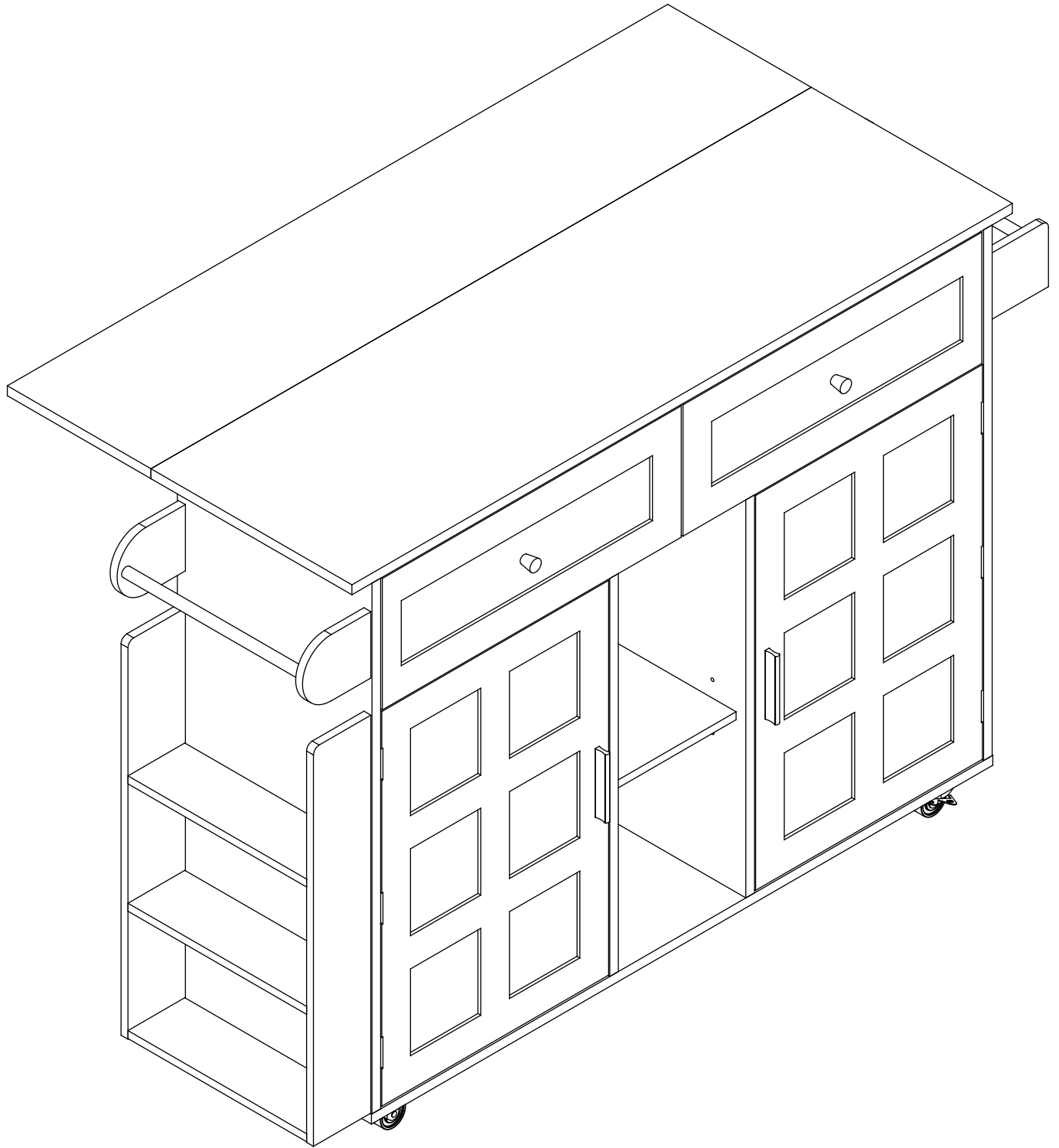
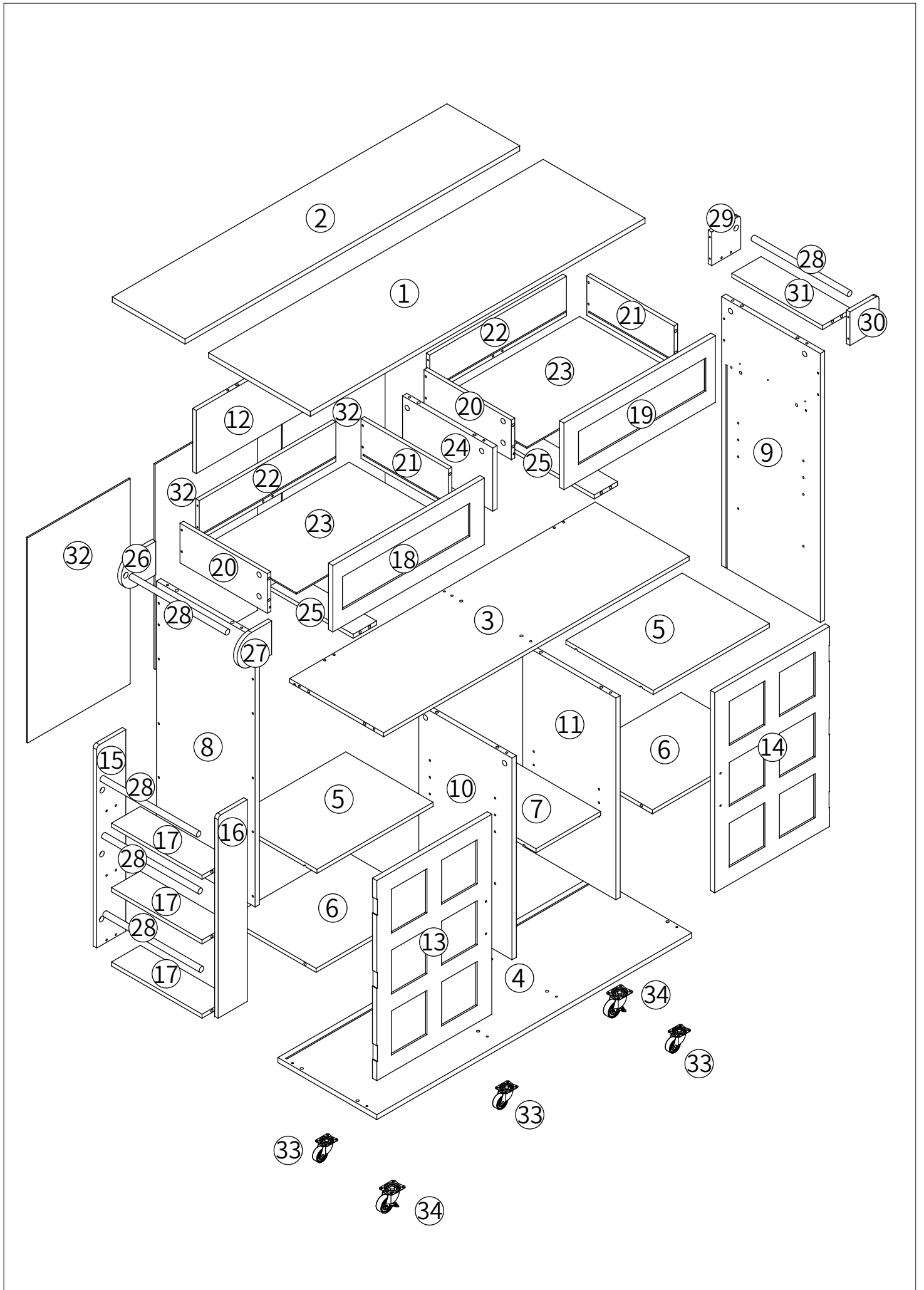
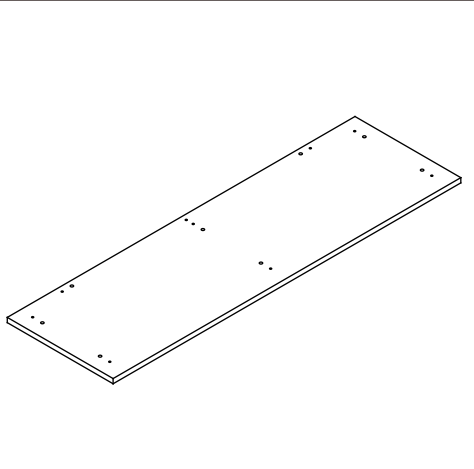


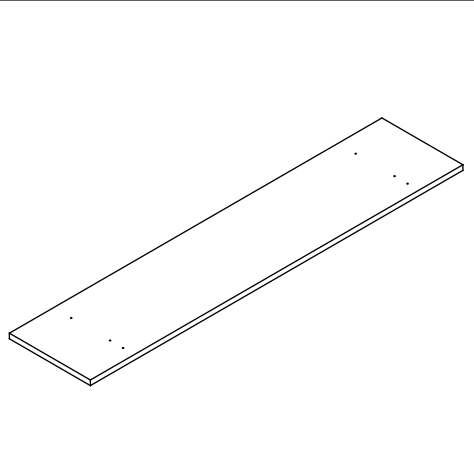
US- -



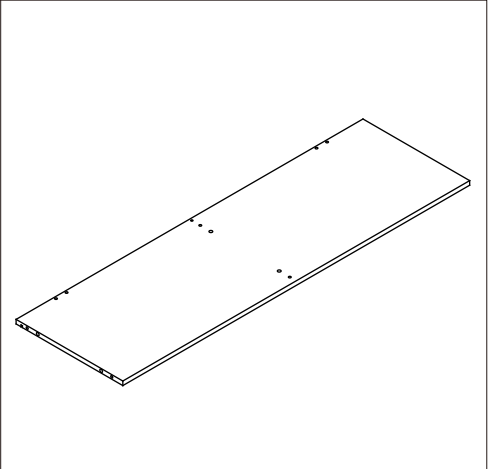




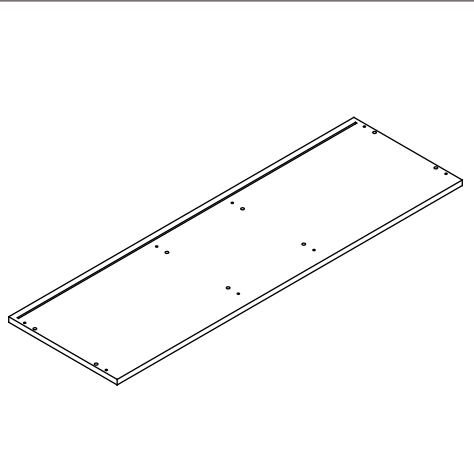
① x 1



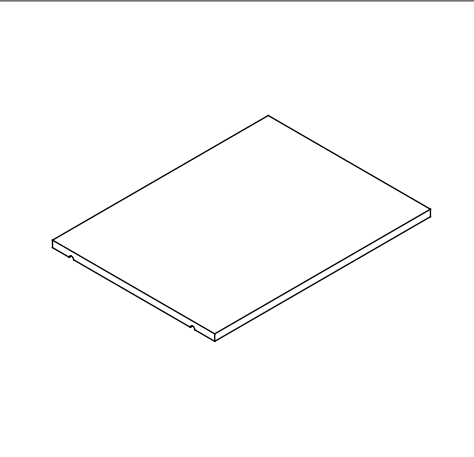
② x 1



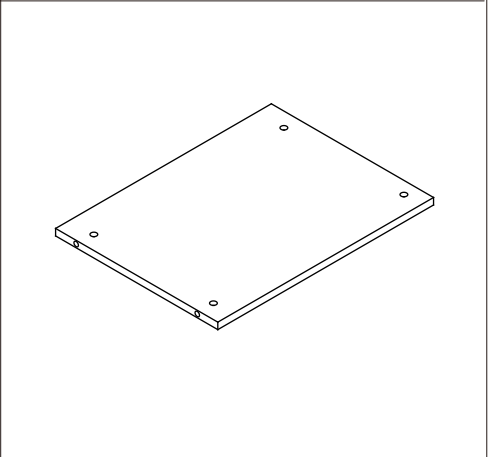
③ x 1



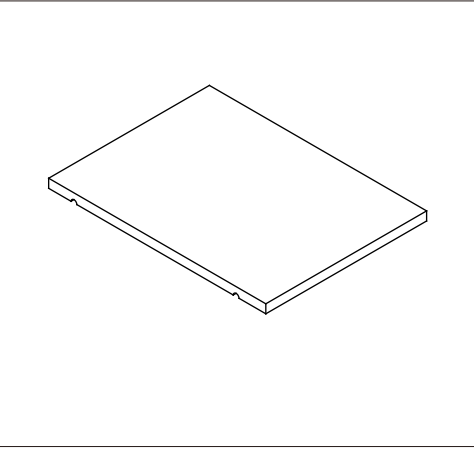
④ x 1



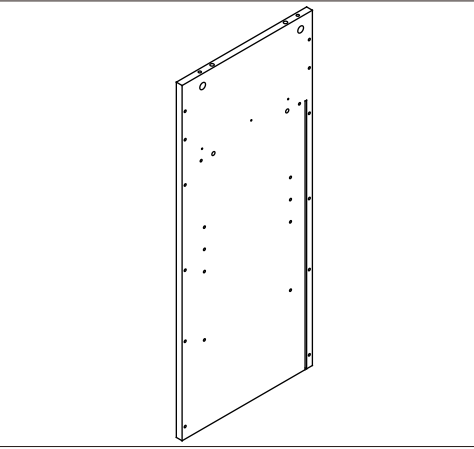
⑤ x 2



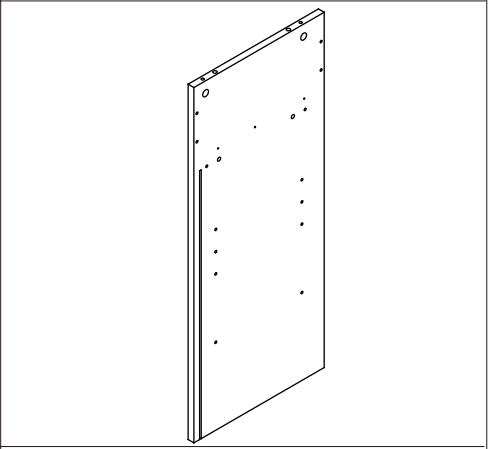
⑥ x 2



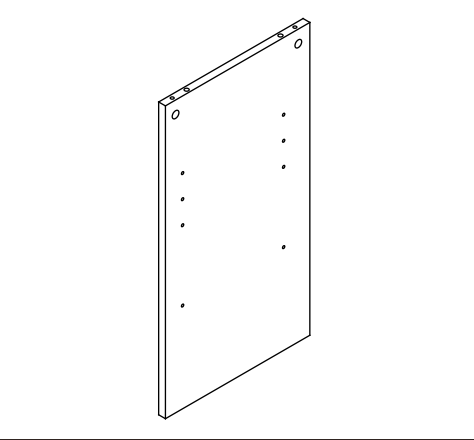
⑦ x 1



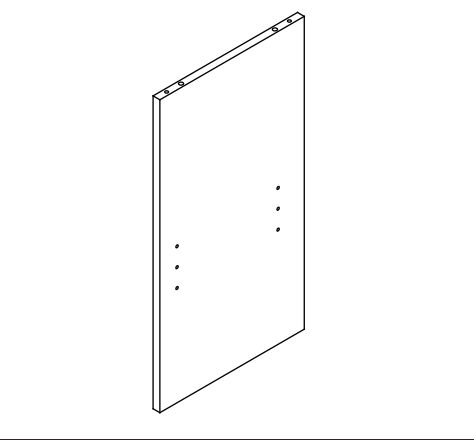
⑧ x 1



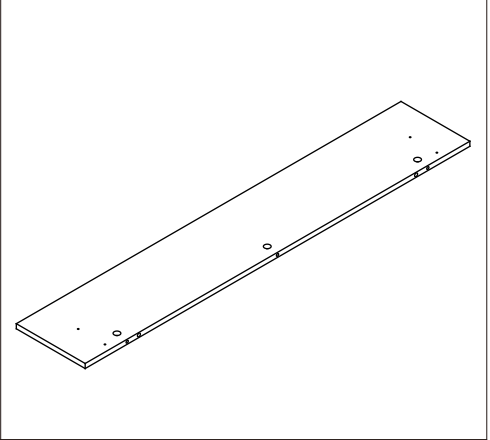
⑨ x 1



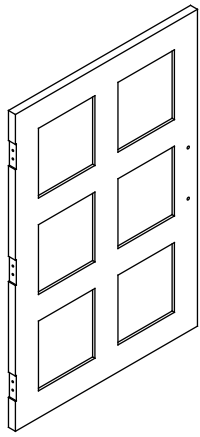
⑩ x 1



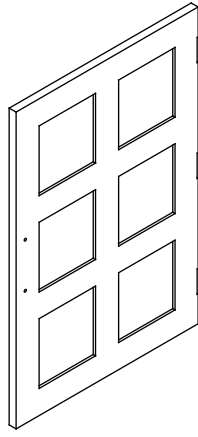
⑪ x 1



⑫ x 1



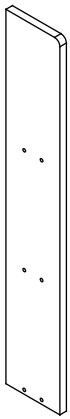
⑬ X 1



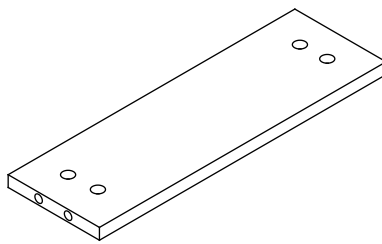
⑭ X 1



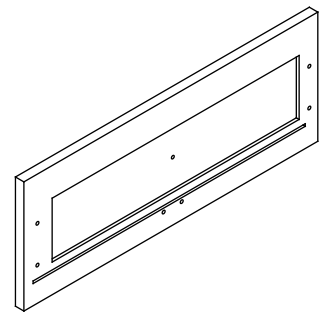
⑮ X 1



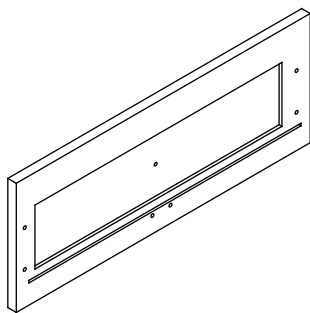
⑯ x 1



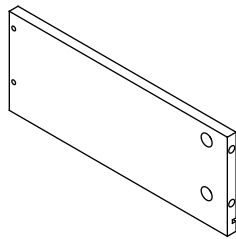
⑰ X 3



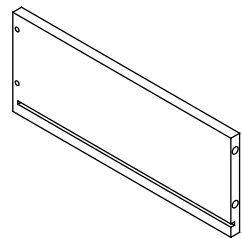
⑱ X 1



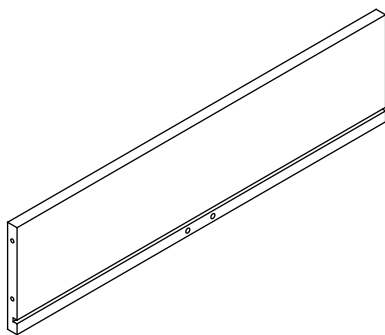
⑲ x 1



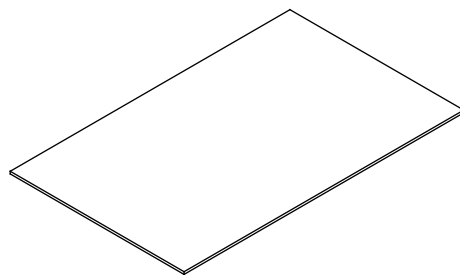
⑳ X 2



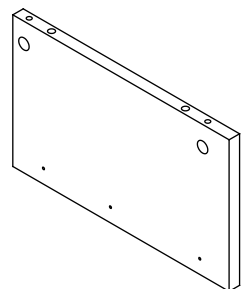
㉑ X 2



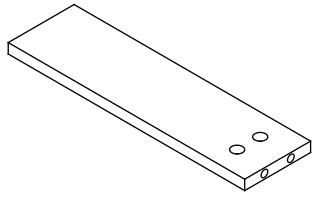
㉒ X 2



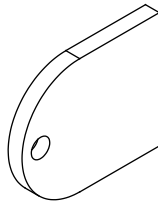
㉓ X 2



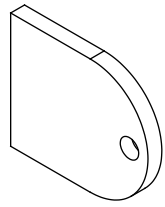
㉔ X 1



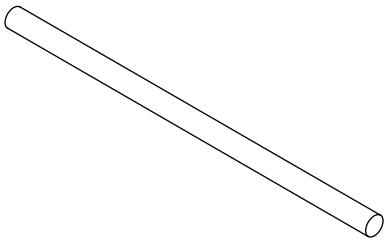
25 X 2



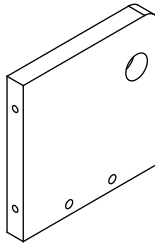
26 X 1



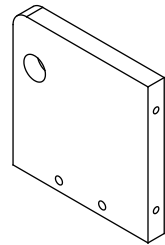
27 X 1



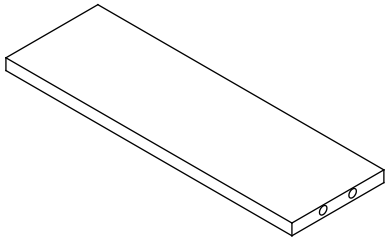
28 X 5



29 X 1



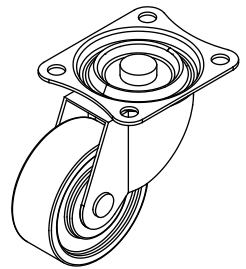
30 X 1



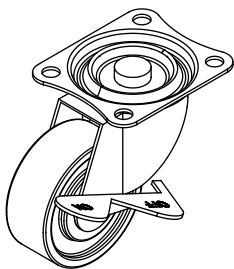
31 X 1



32 X 3

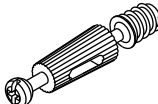
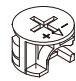

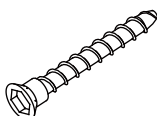

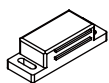

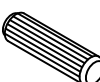
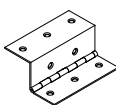
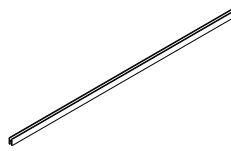
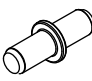
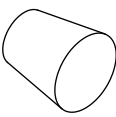
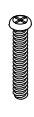


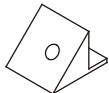



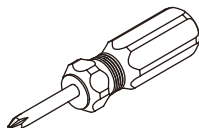
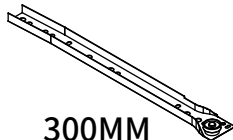
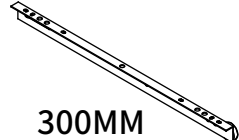
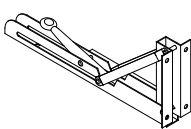
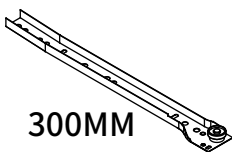
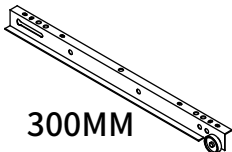


33 X 3

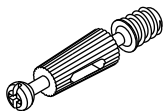
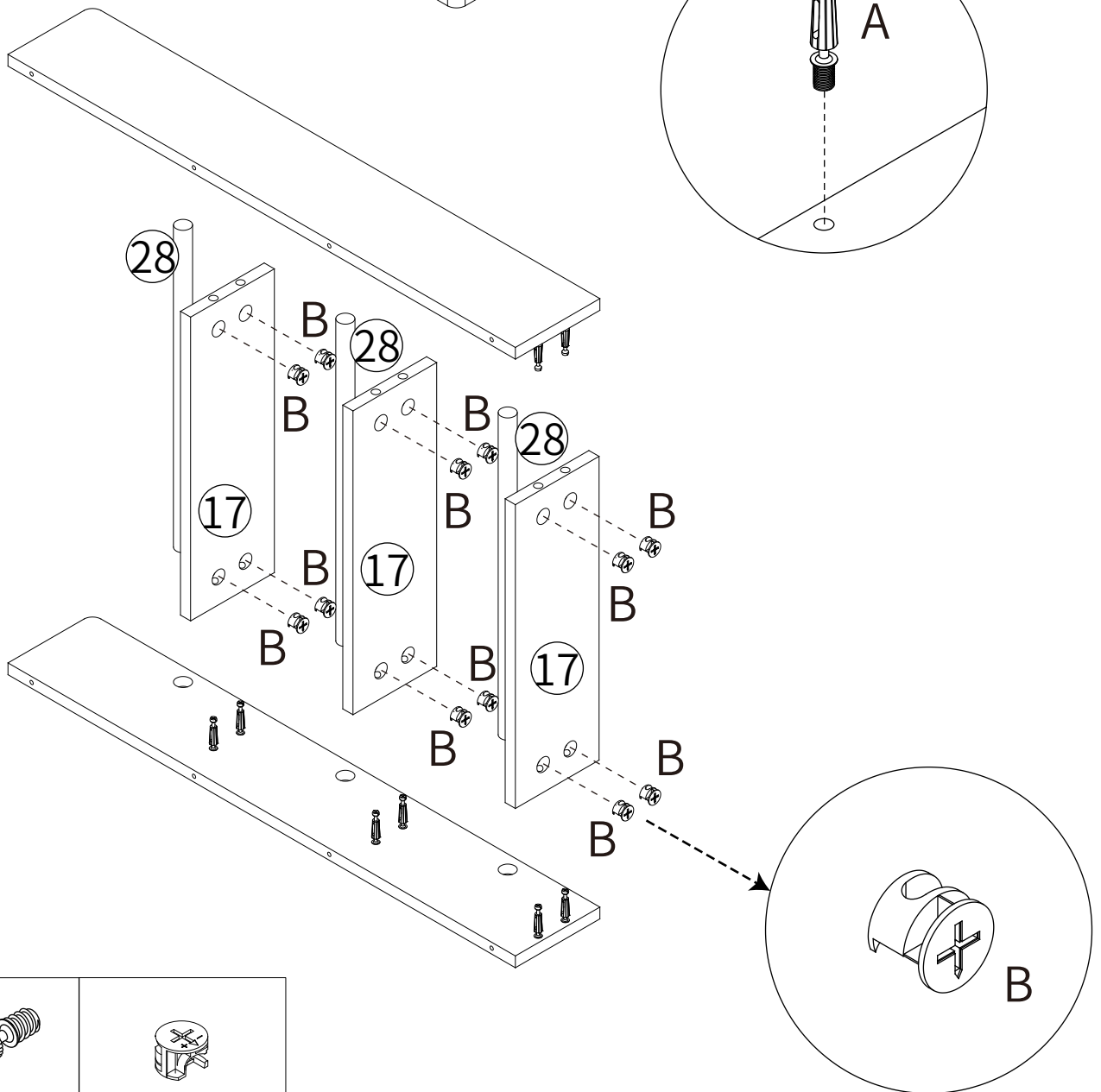
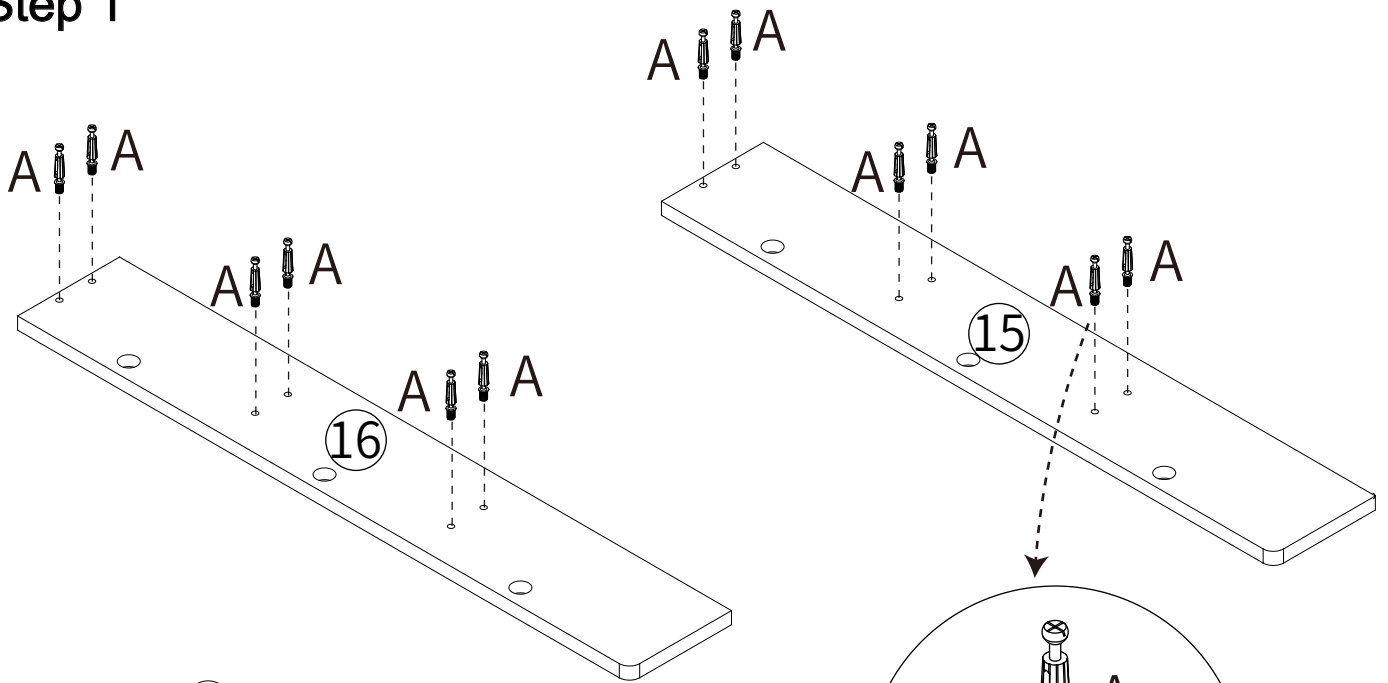


34 X 2

Accessories List

				
φ6x35mm	φ15x9.5mm	φ6x30mm	M5x40mm	M3.5x12mm
A x 57	B x 57	C x 14	D x 43	E x 72
				
Magnetic suction	Iron sheet	φ8x30mm	Three fold-out pages	Back panel card bar
F x 3	G x 3	H x 14	I x 6	J x 2
	 	 		
K x 12	L x 2	M x 2	N x 14	O x 38
				
M4x14mm	M3	R x 1	300MM	300MM
P x 14	Q x 1	R x 1	CR x 2	DR x 2
				
S x 2			300MM CL x 2	300MM DL x 2

Step 1

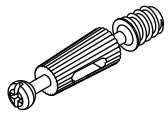
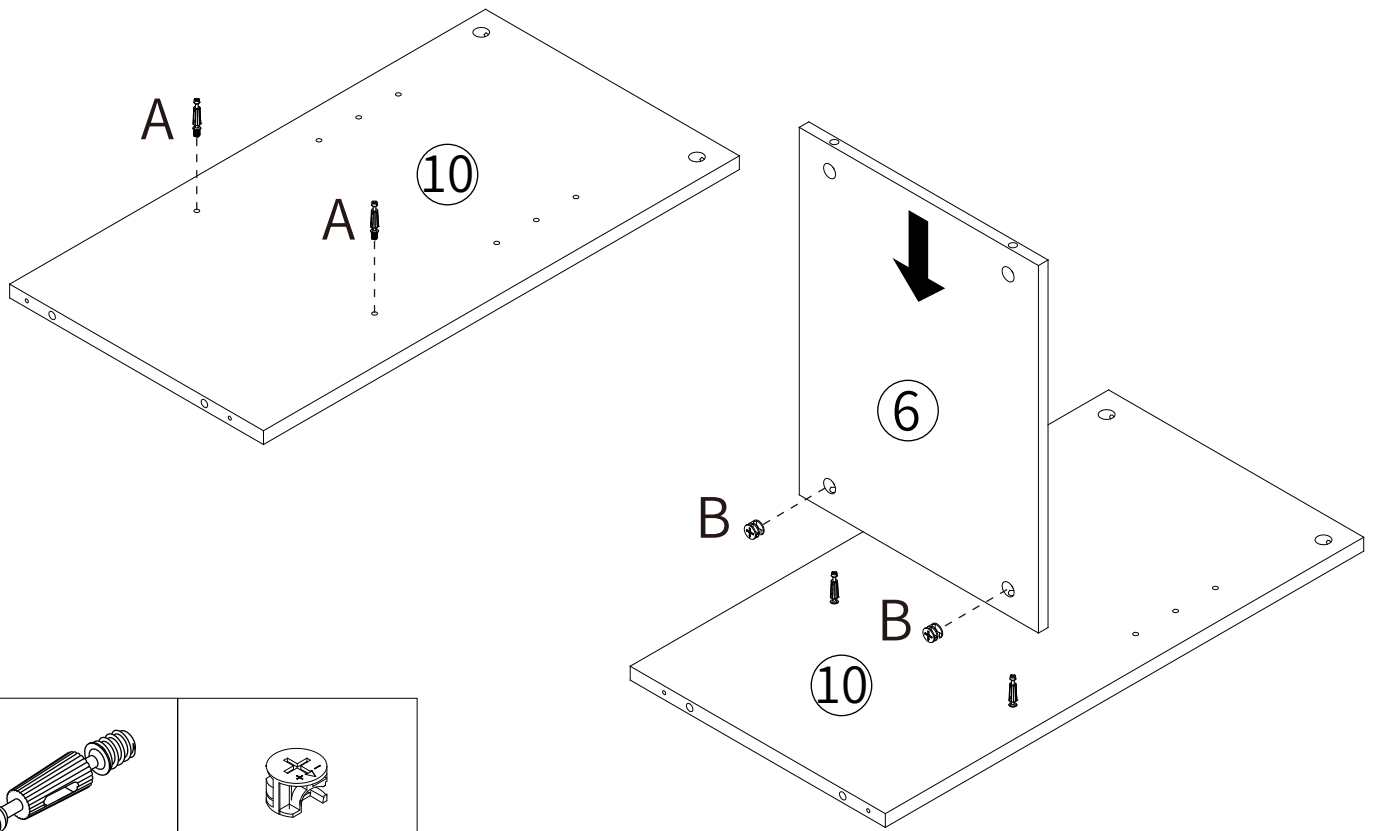


$\phi 6 \times 35 \text{mm}$
A x 12



$\phi 15 \times 9.5 \text{mm}$
B x 12

Step 2



$\varnothing 6 \times 35 \text{mm}$

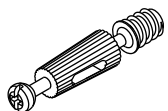
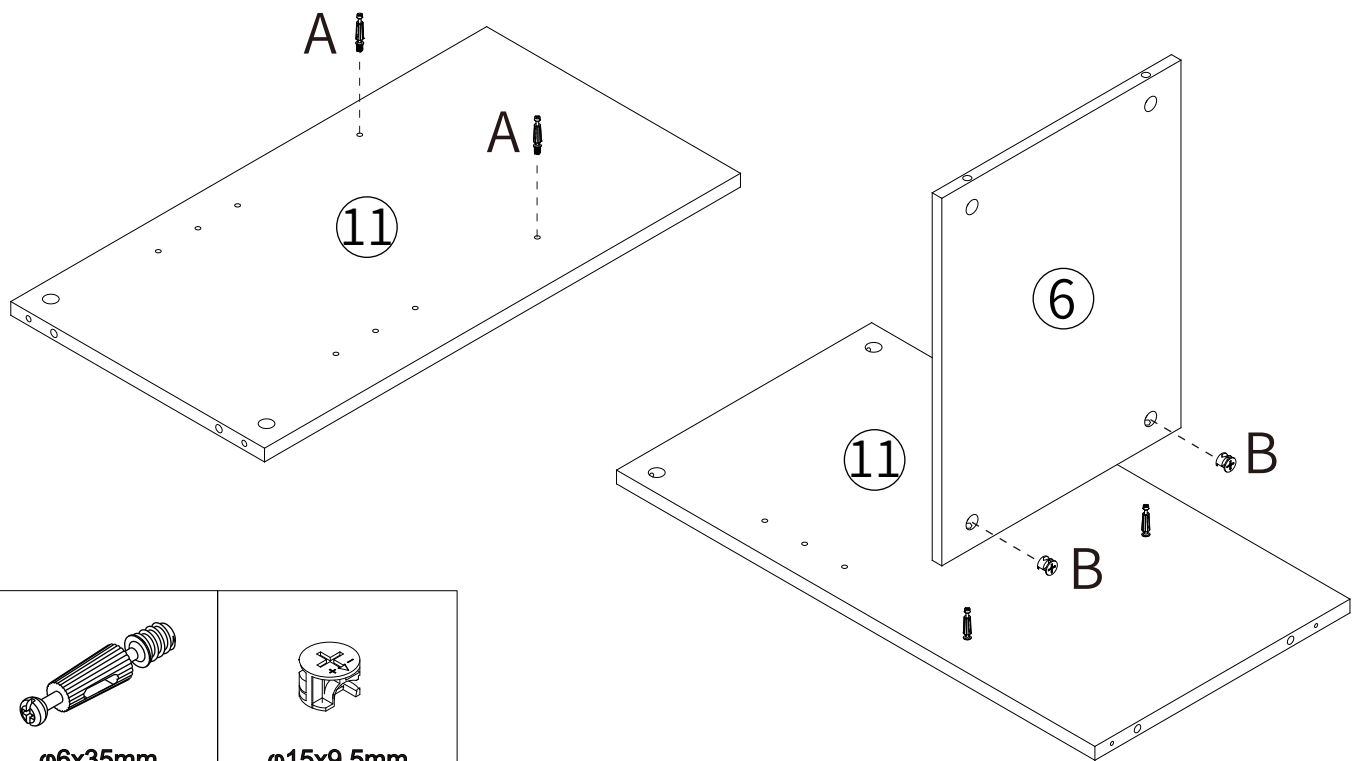
A x 2



$\varnothing 15 \times 9.5 \text{mm}$

B x 2

Step 3



$\varnothing 6 \times 35 \text{mm}$

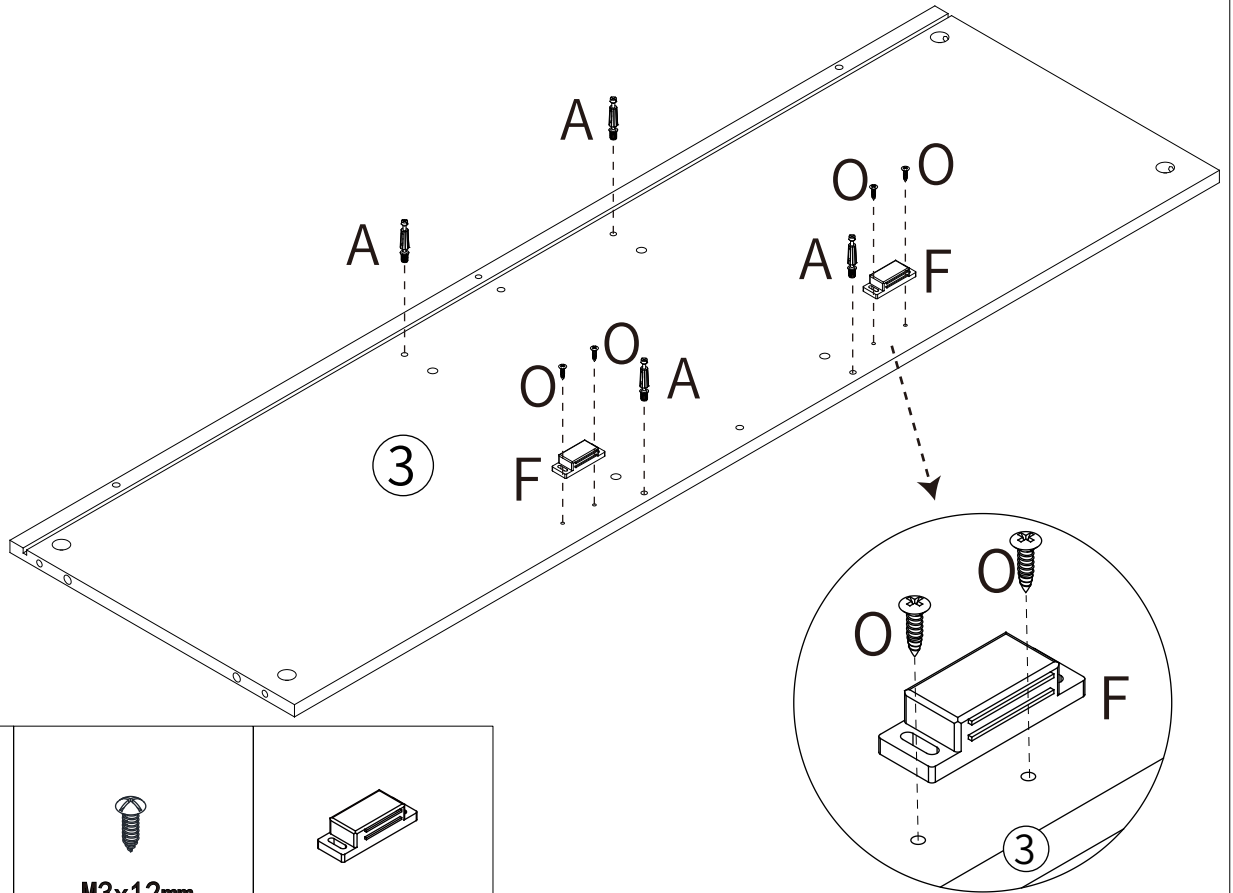
A x 2

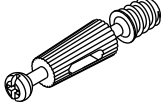

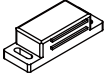


$\varnothing 15 \times 9.5 \text{mm}$

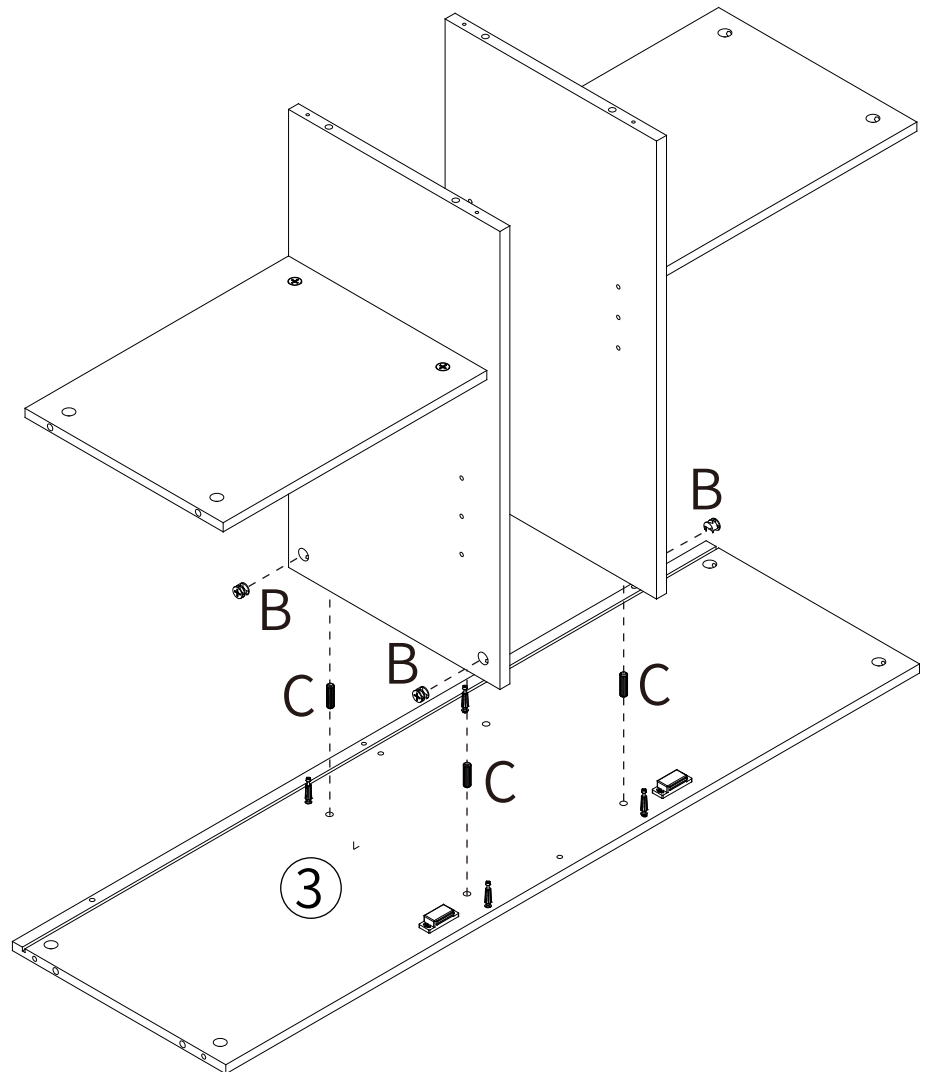
B x 2



Step 4



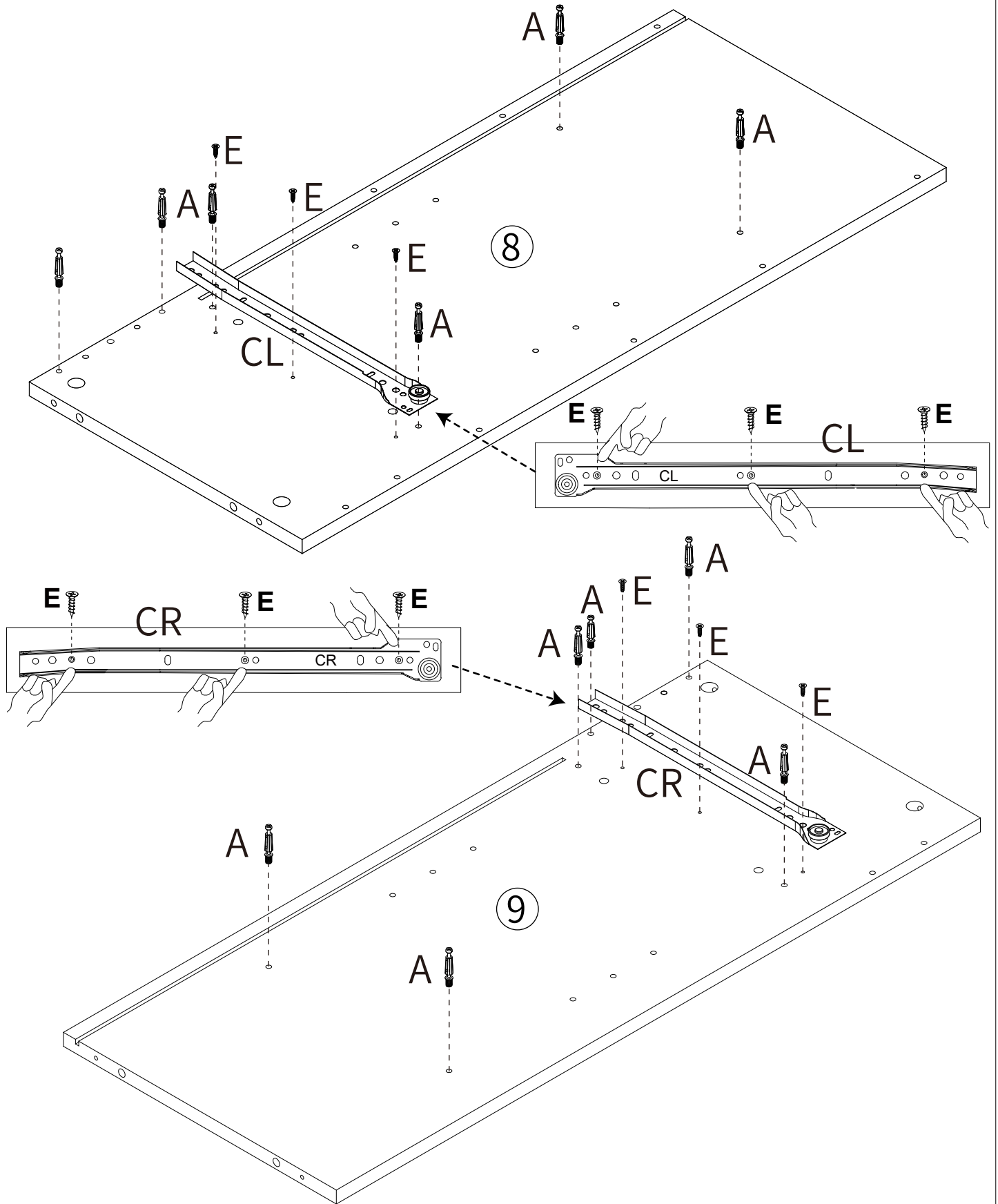
		
$\phi 6 \times 35 \text{mm}$	$M3 \times 12 \text{mm}$	
A x 4	O x 4	F x 2

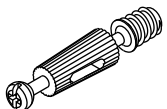

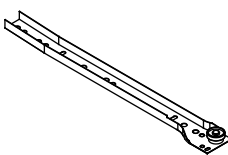
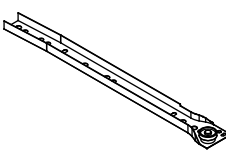
Step 5



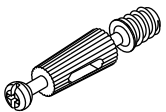
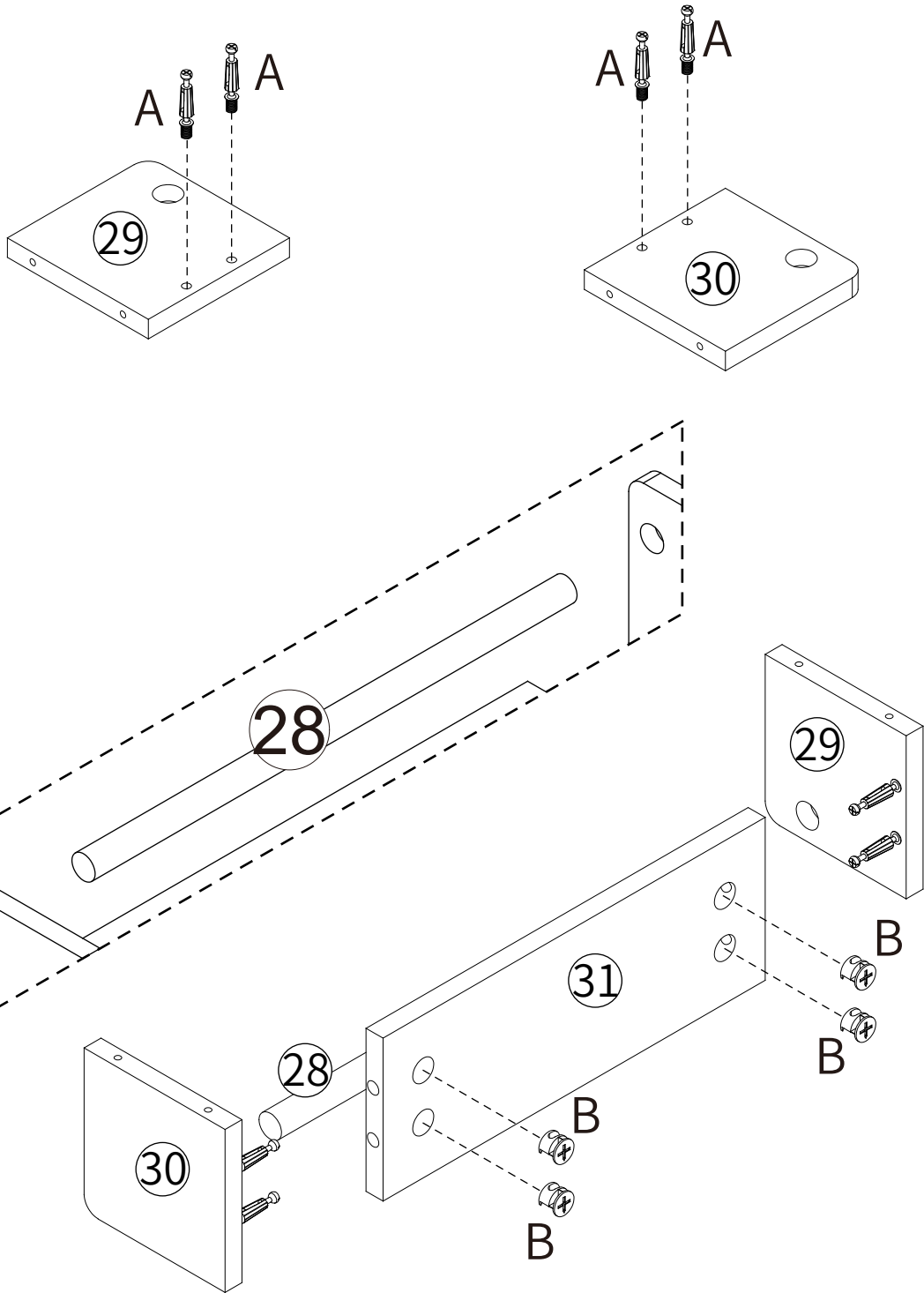
	
$\phi 15 \times 9.5 \text{mm}$	$\phi 6 \times 30 \text{mm}$
B x 4	C x 4

Step 6



			
<p>$\phi 6 \times 35 \text{mm}$ A x 12</p>	<p>M3. 5x12mm E x 6</p>	<p>CL x 1</p>	<p>CR x 1</p>

Step 7



$\phi 6 \times 35 \text{mm}$

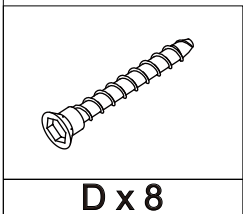
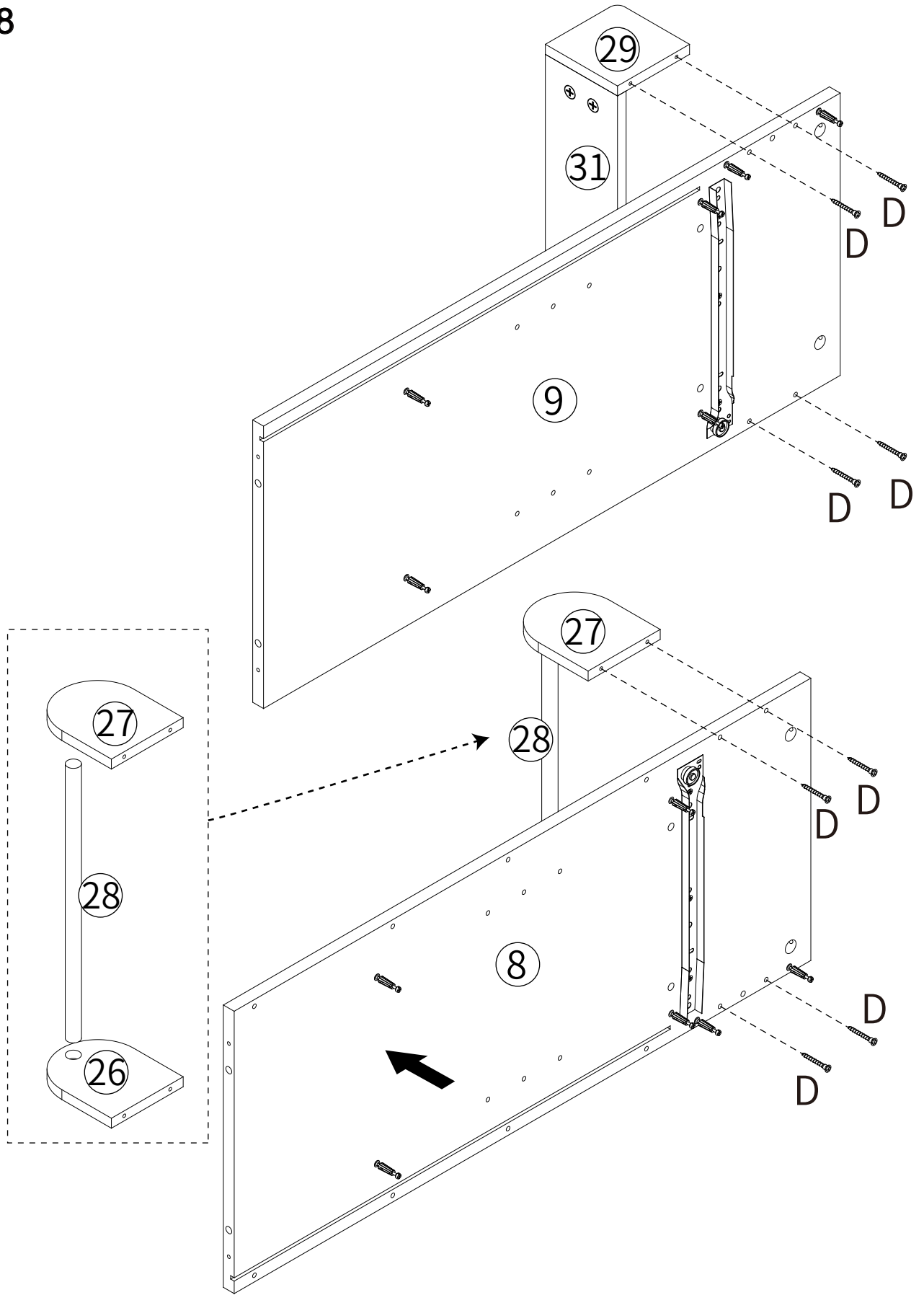
A x 4



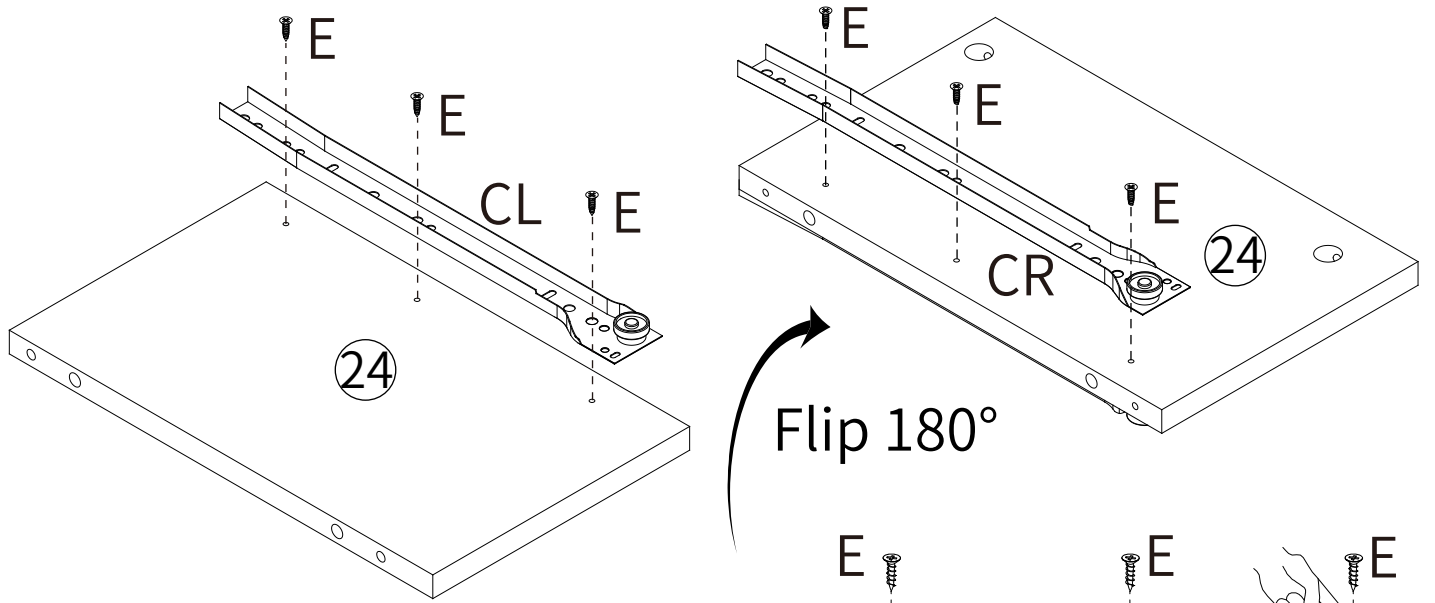
$\phi 15 \times 9.5 \text{mm}$

B x 4

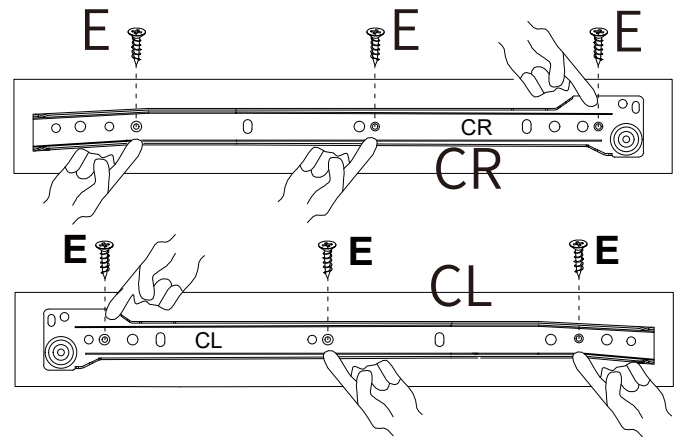
Step 8


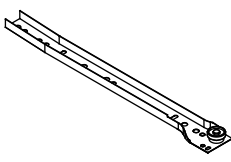
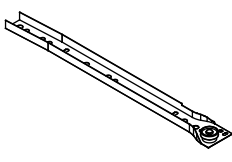


Step 9

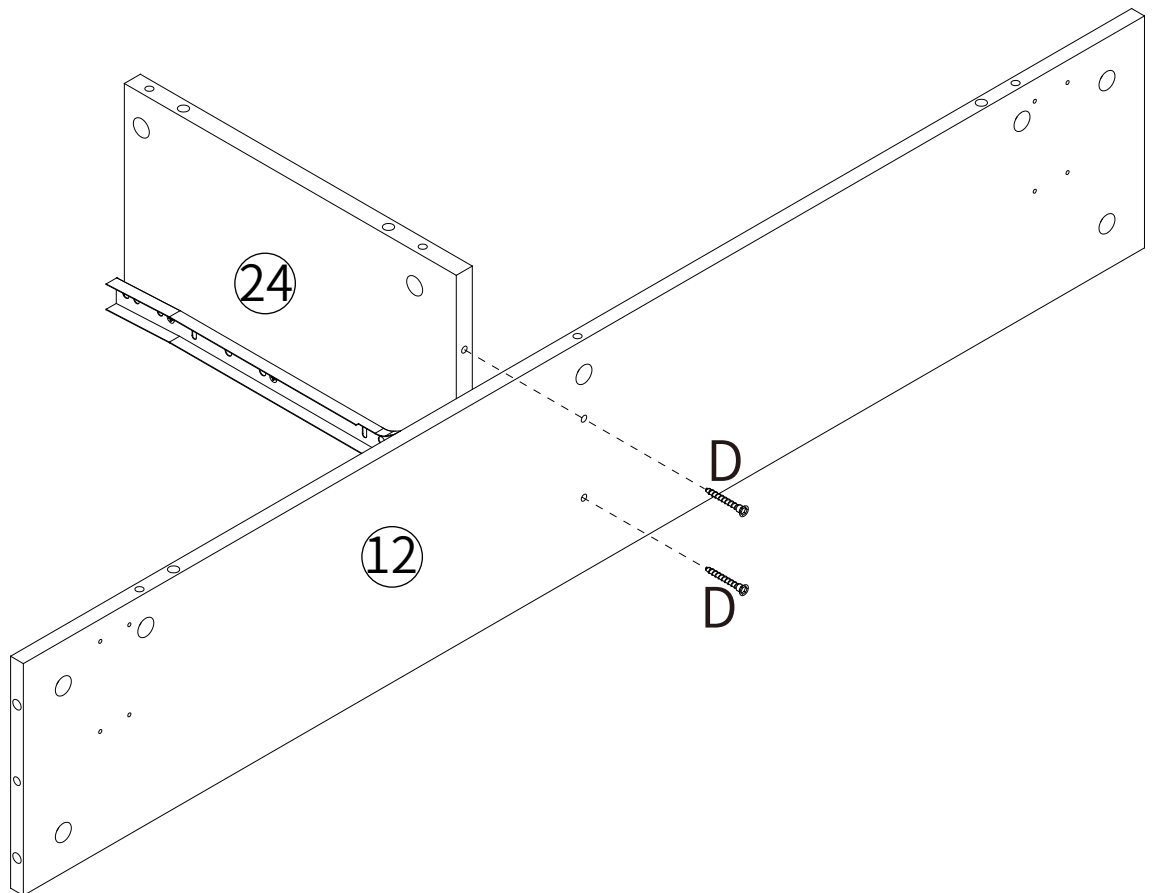


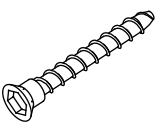
Flip 180°



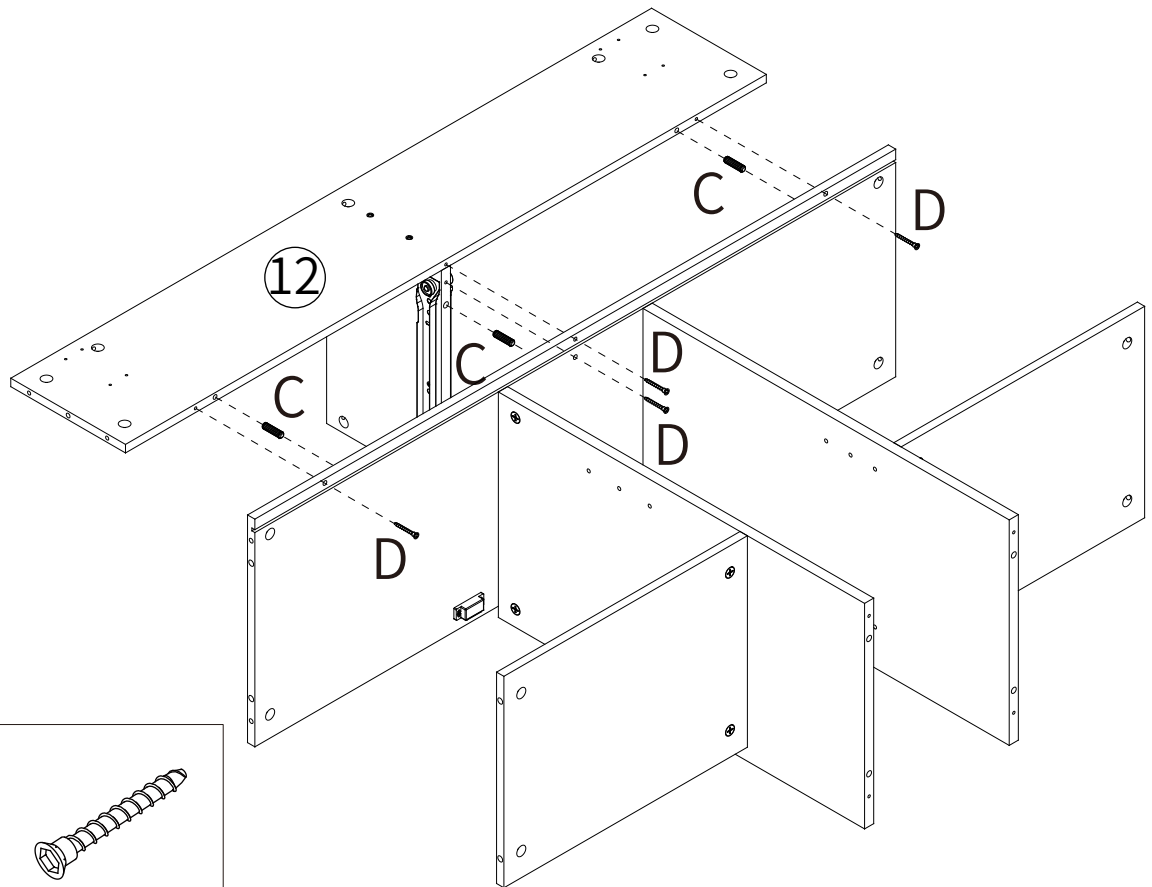
 M3. 5x12mm		
E x 6	CL x 1	CR x 1

Step 10



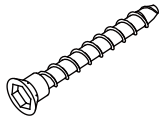

D x 2

Step 11



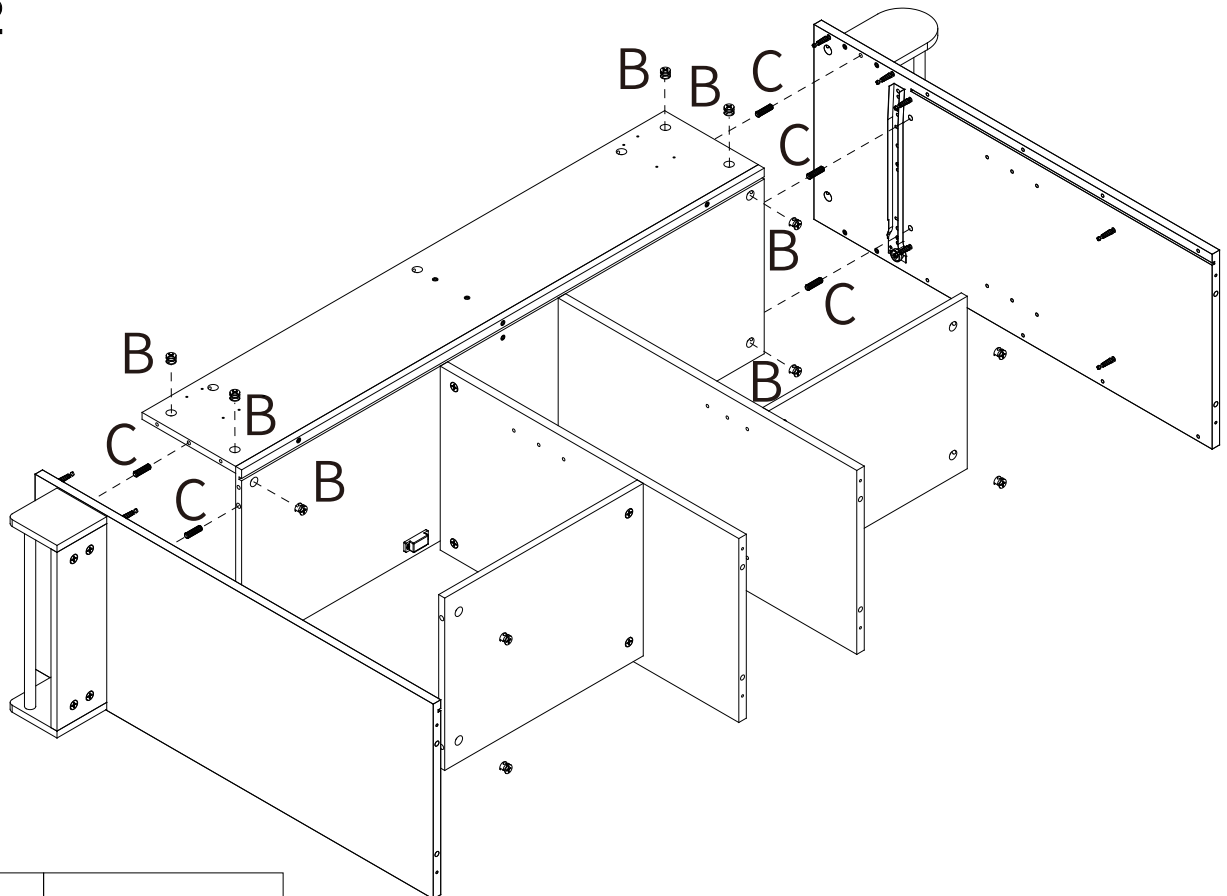
$\phi 6 \times 30 \text{mm}$

C x 4



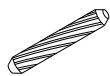
D x 5

Step 12



$\phi 15 \times 9.5 \text{mm}$

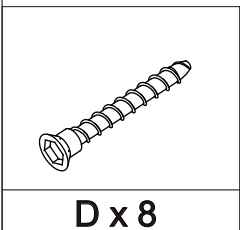
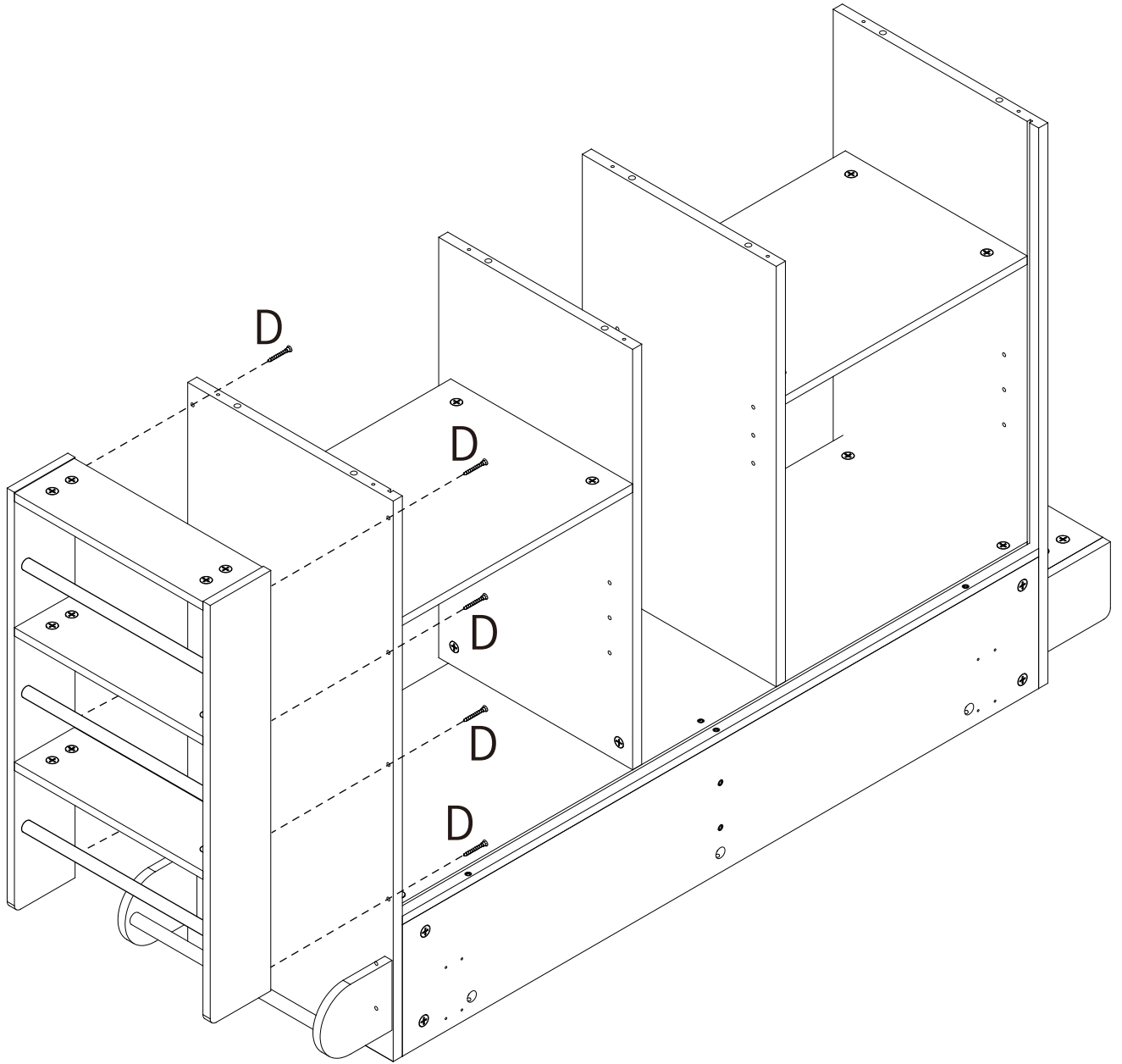
B x 8



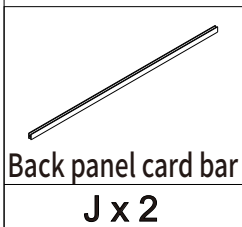
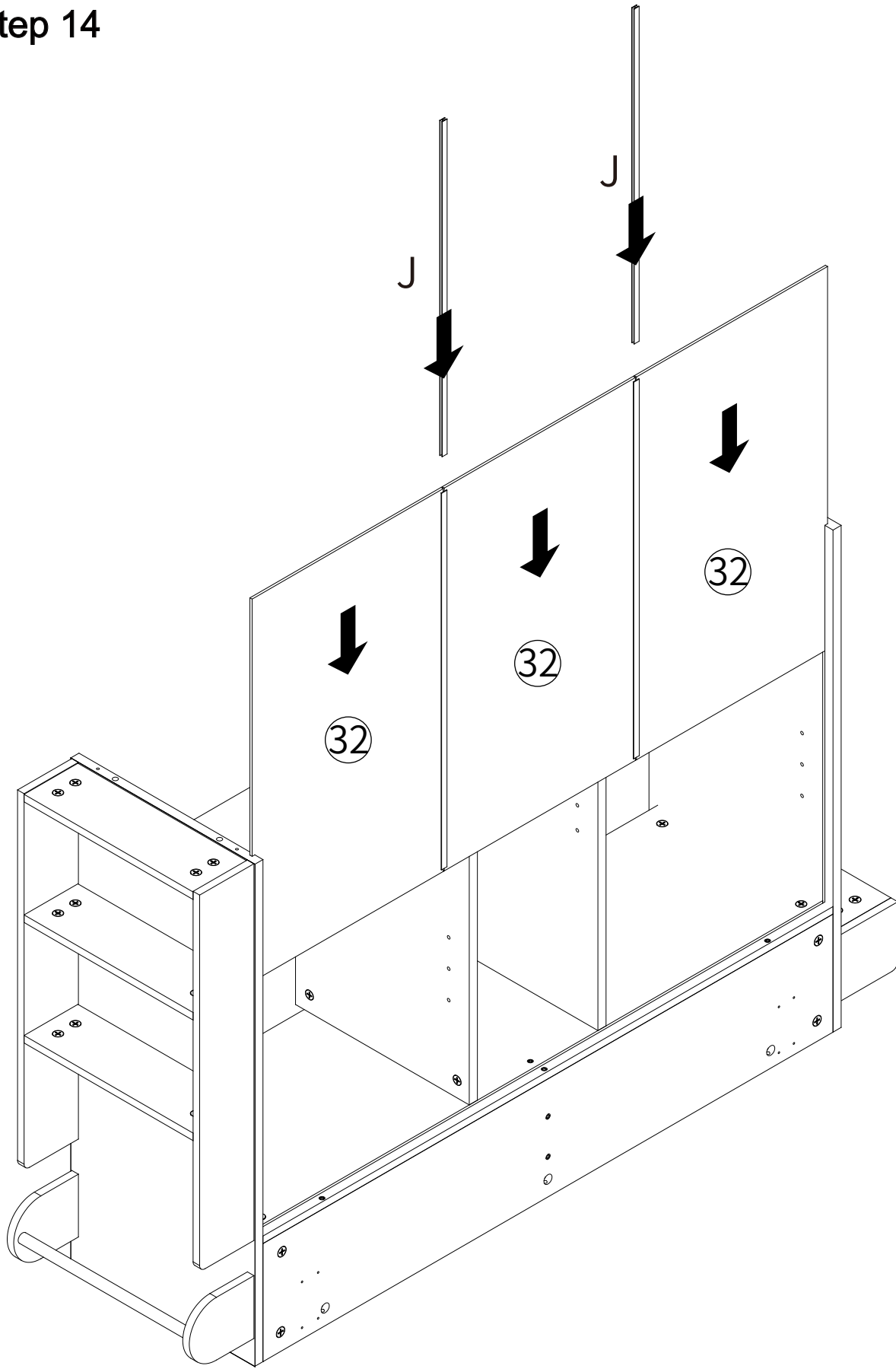
$\phi 6 \times 30 \text{mm}$

C x 6

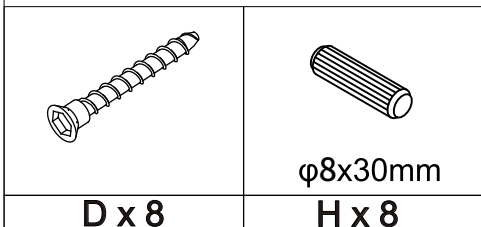
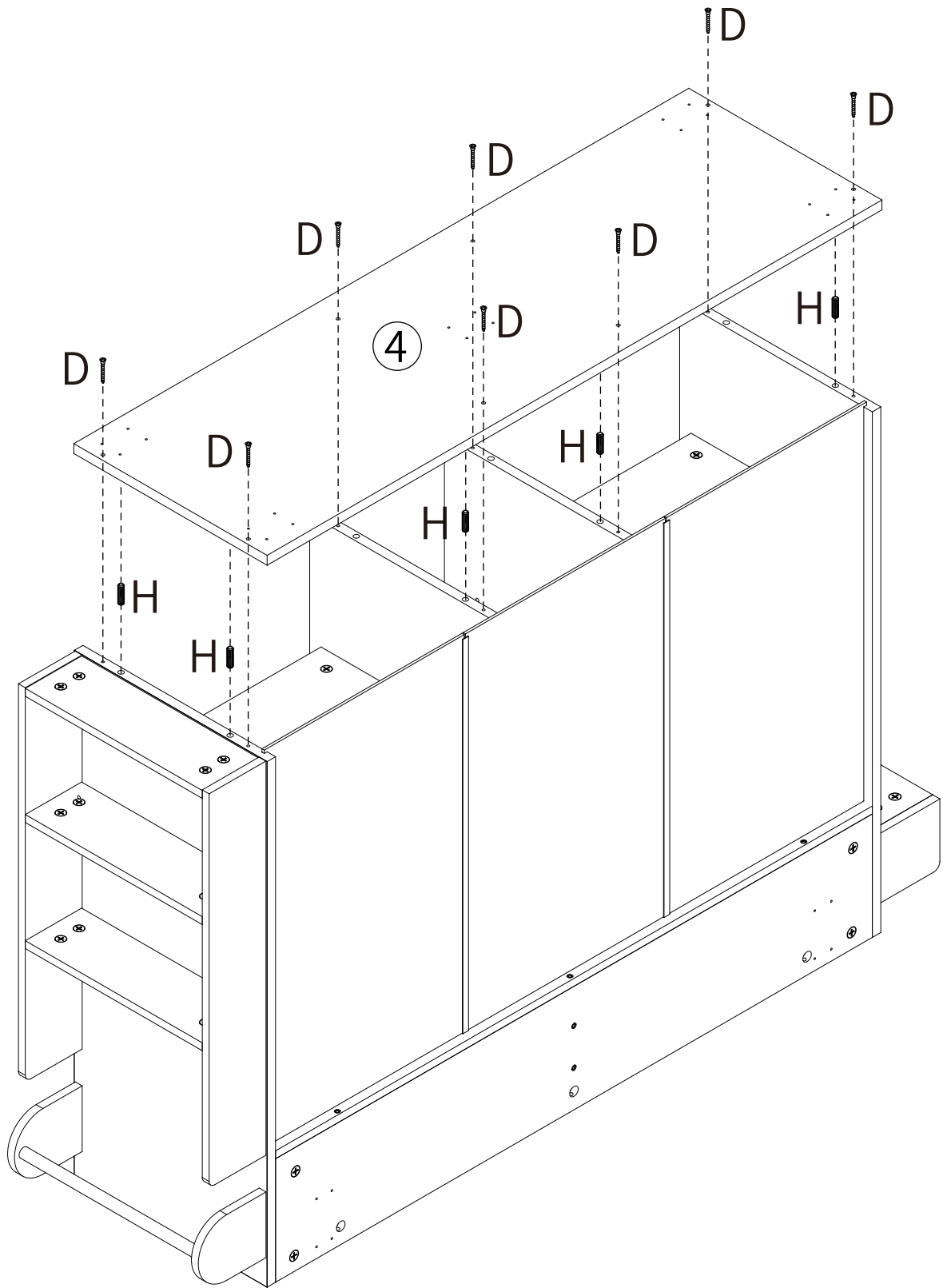
Step 13



Step 14



Step 15

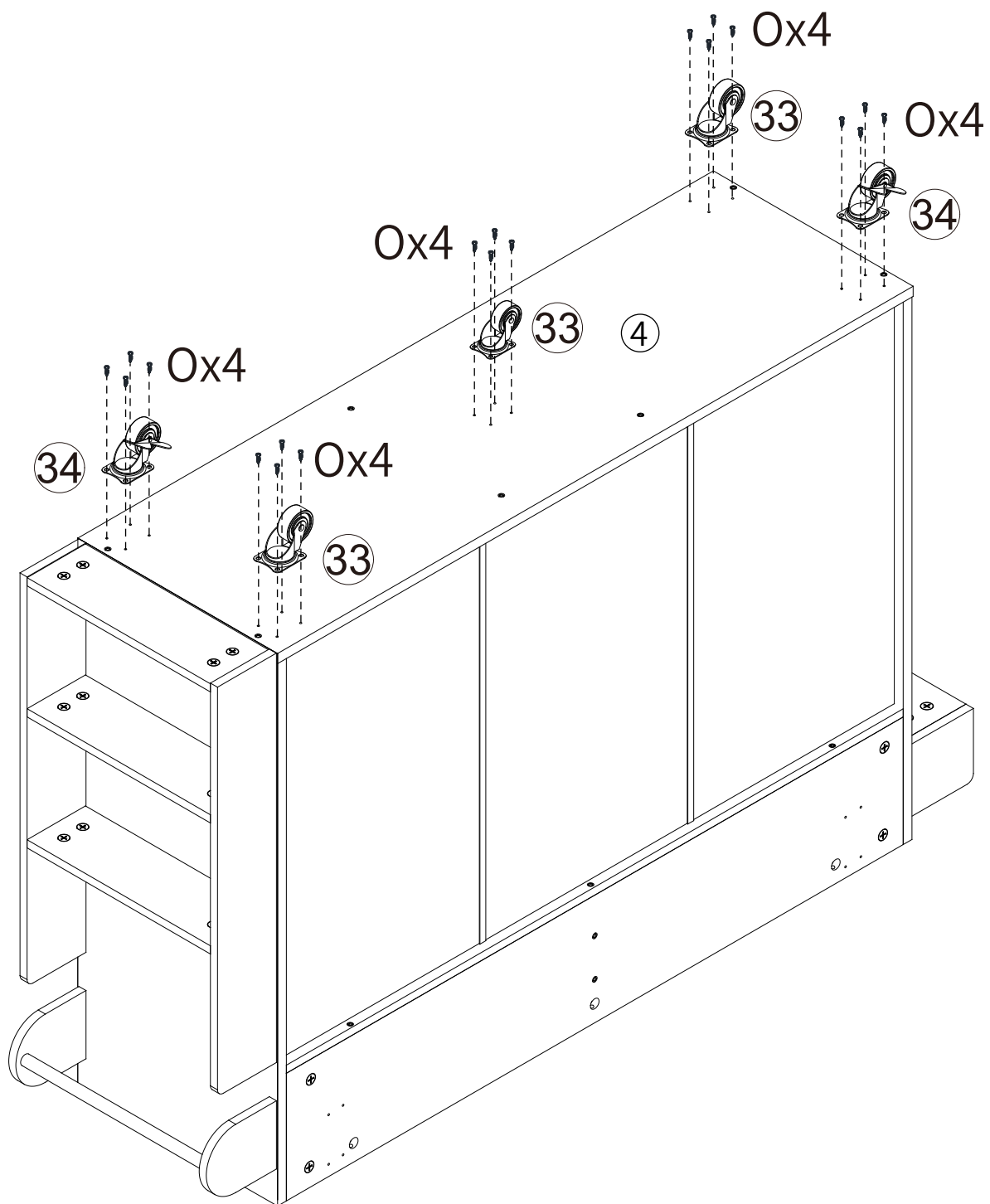


φ8x30mm

D x 8

H x 8

Step 16



M3x14mm

O x 20

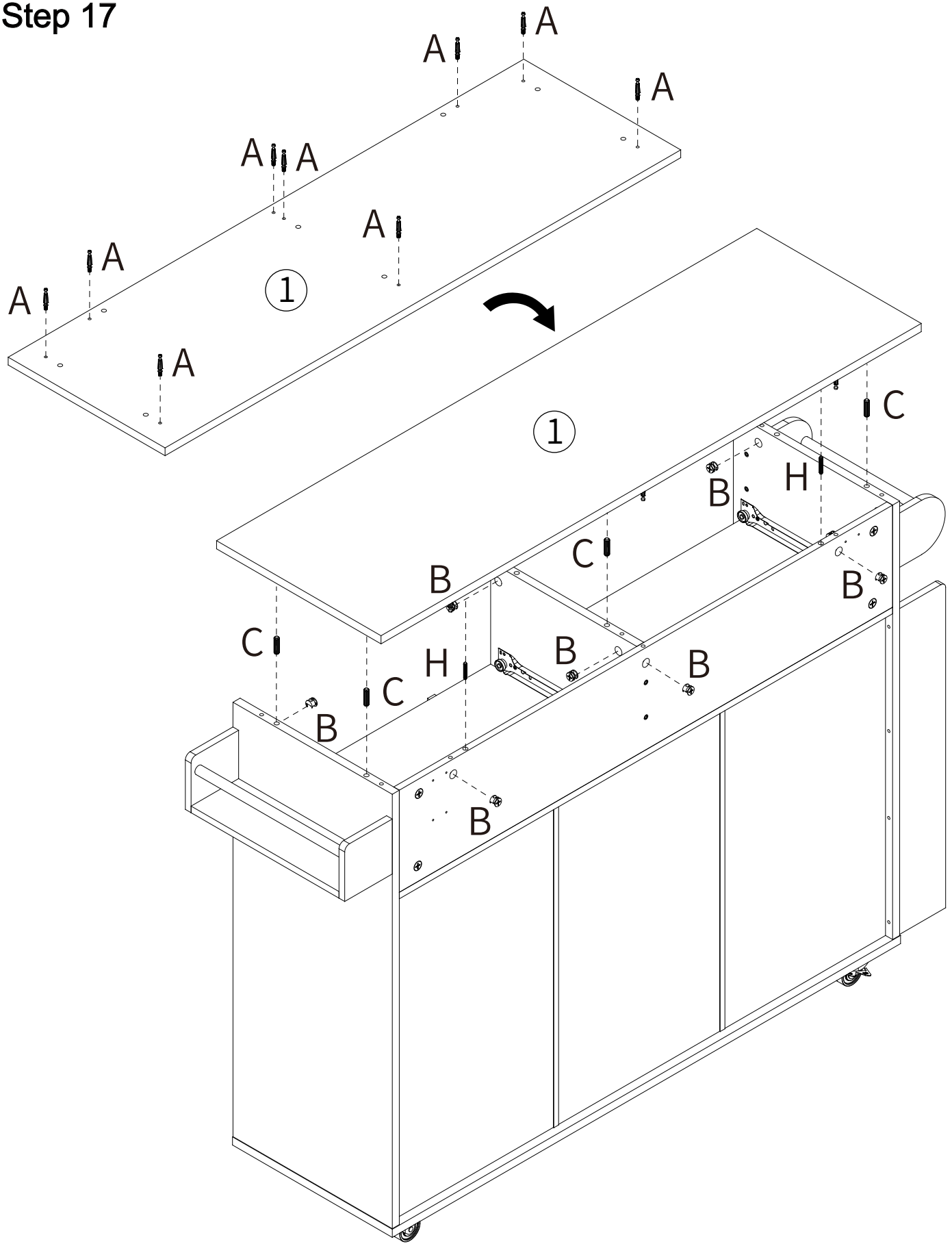




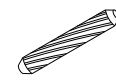
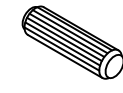
33 X 3



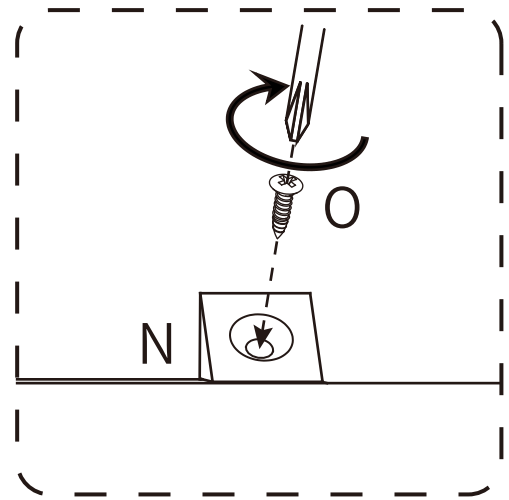
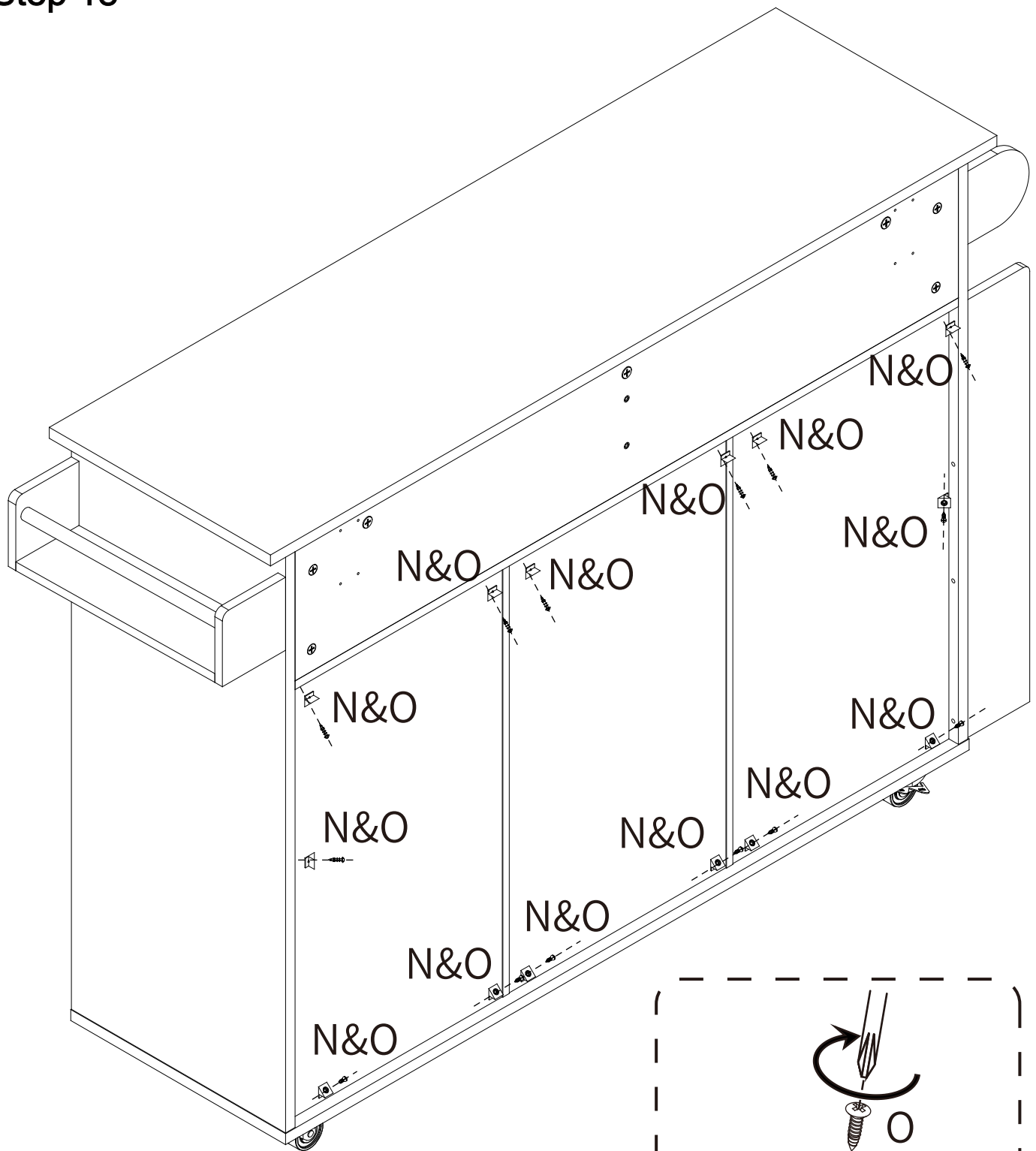
34 X 2



Step 17



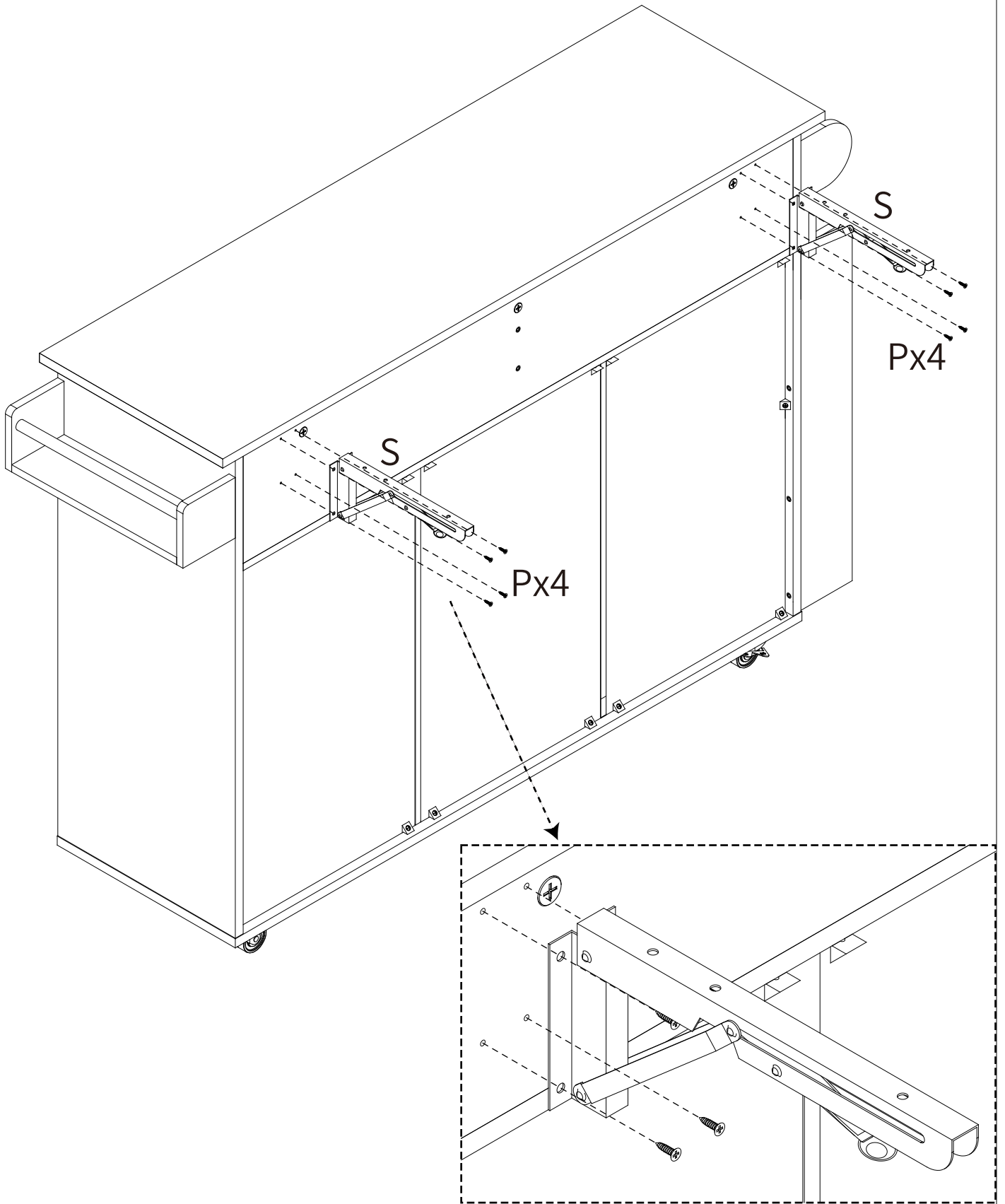
 $\phi 6 \times 35 \text{mm}$	 $\phi 15 \times 9.5 \text{mm}$	 $\phi 6 \times 30 \text{mm}$	 $\phi 8 \times 30 \text{mm}$
A x 9	B x 9	C x 2	H x 6


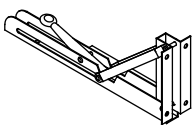
Step 18



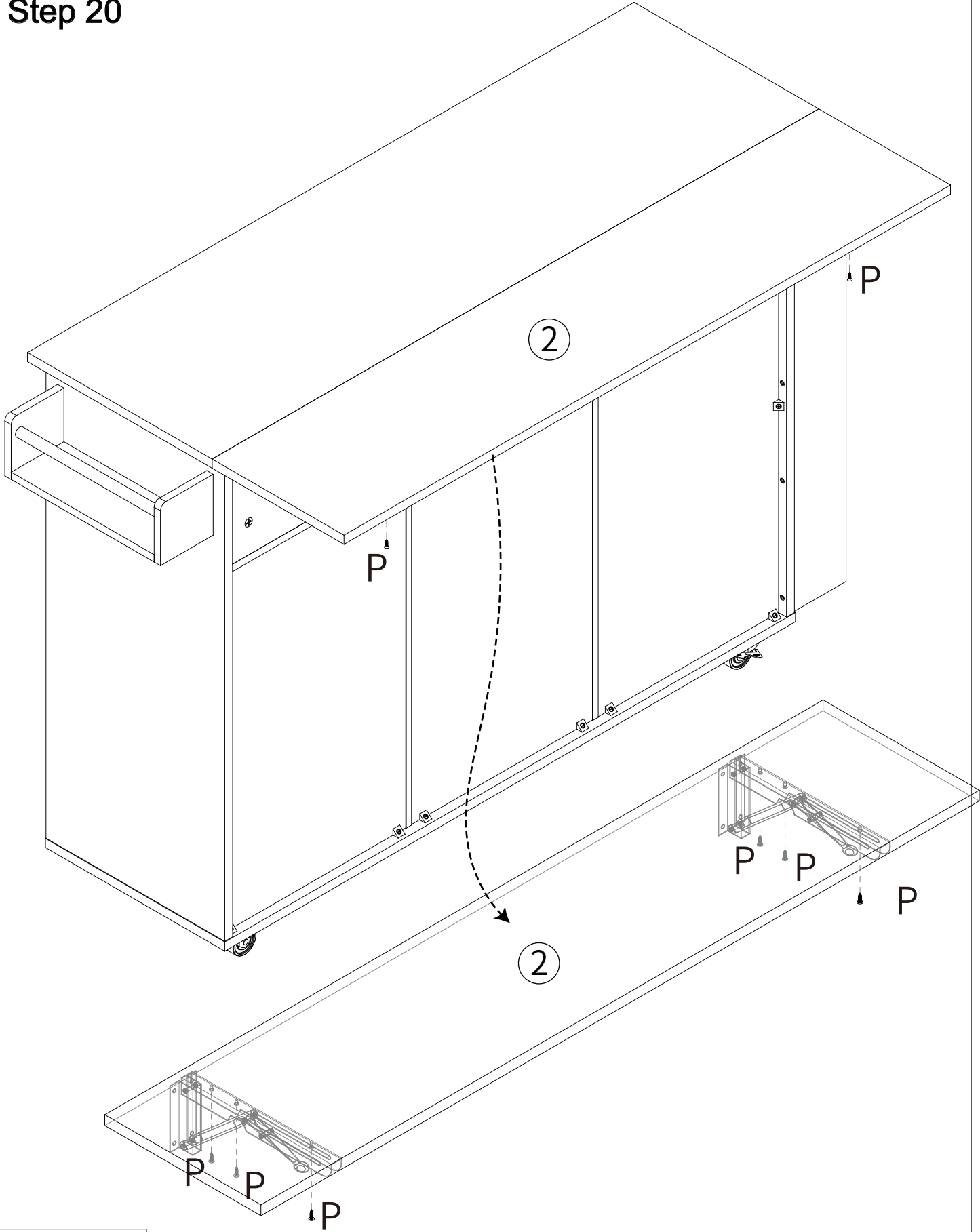
	
N x 14	M3x12mm
	O x 14


Step 19



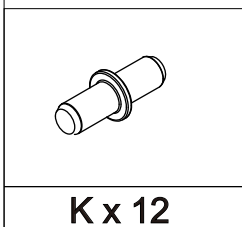
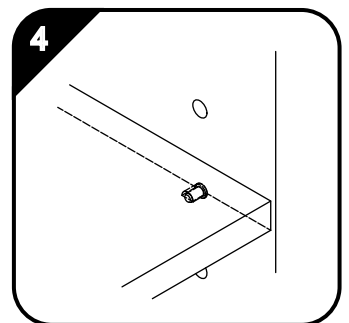
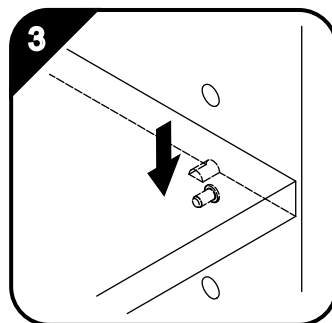
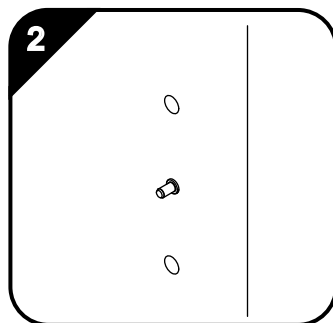
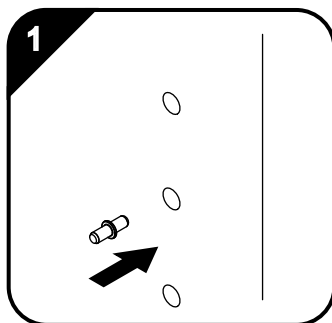
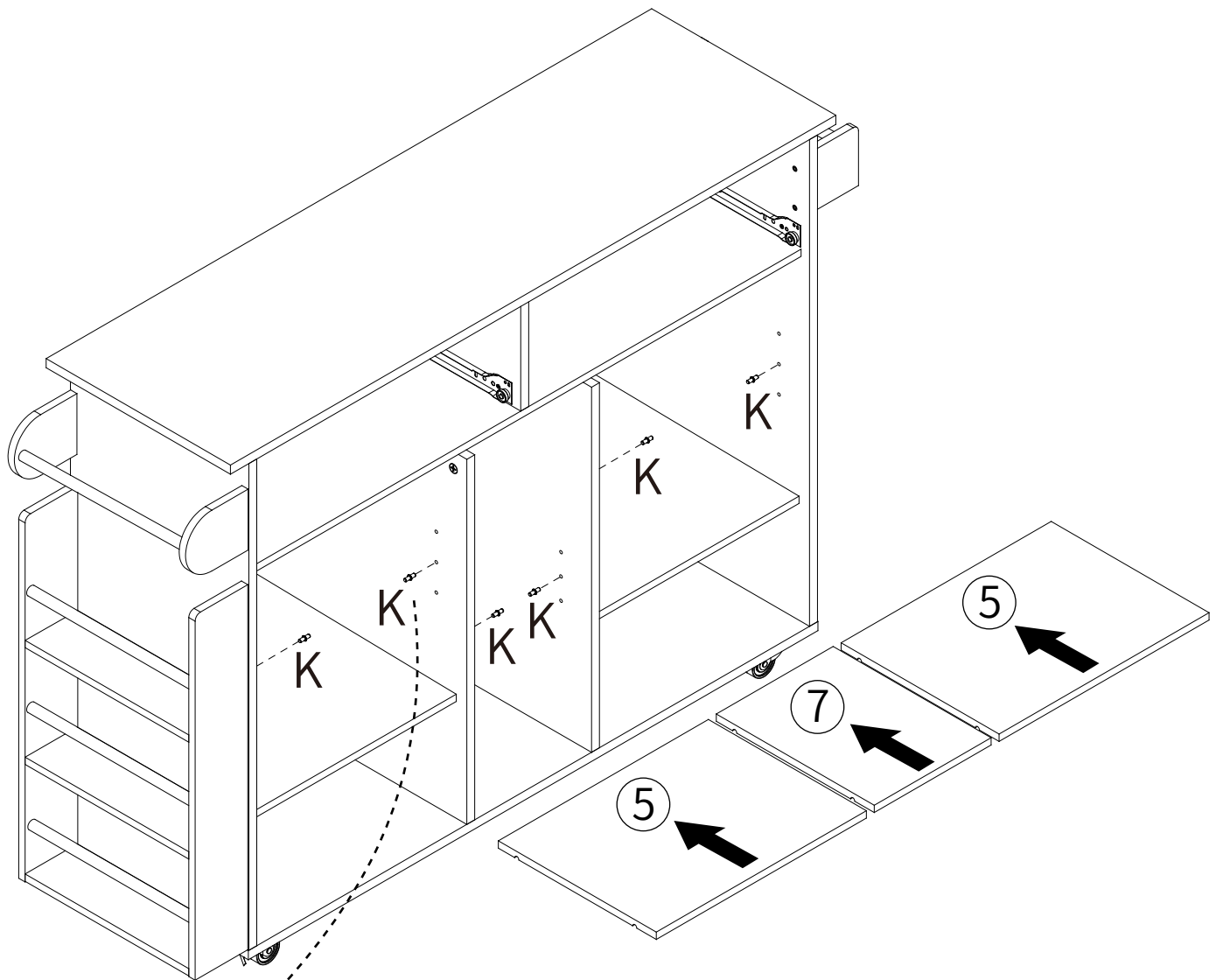
	
M4x14mm P x 8	S x 2

Step 20




M4x14mm
P x 6

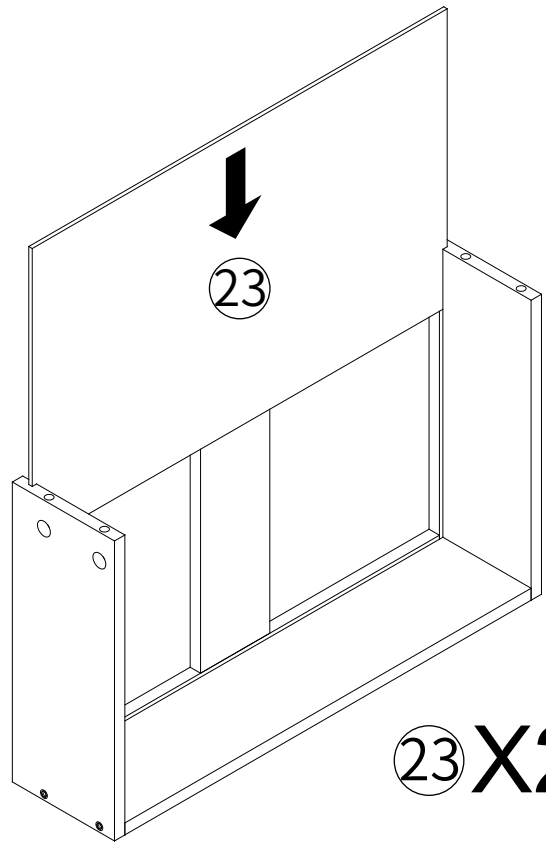
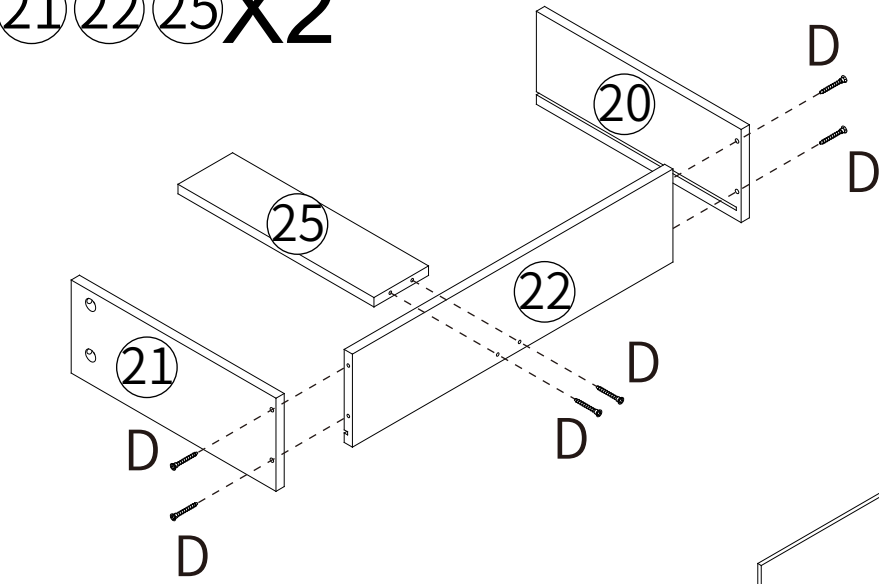
Step 21



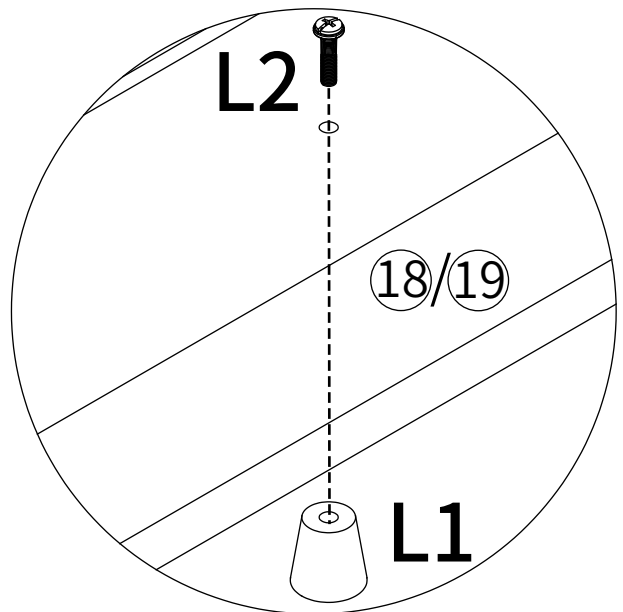
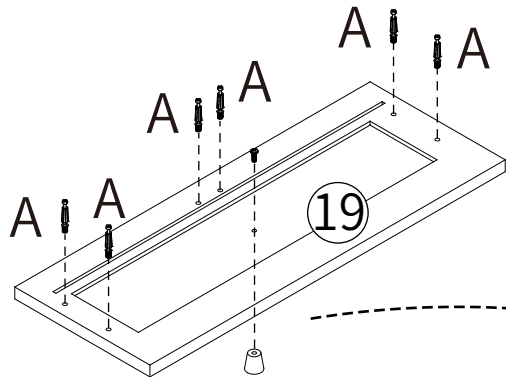
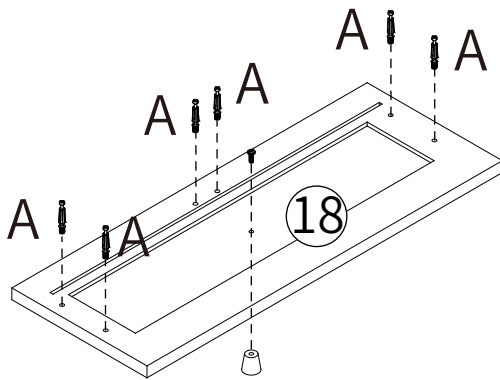
K x 12

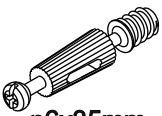
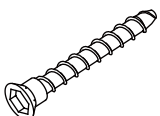
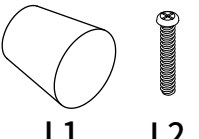
Step 22

20 21 22 25 X2

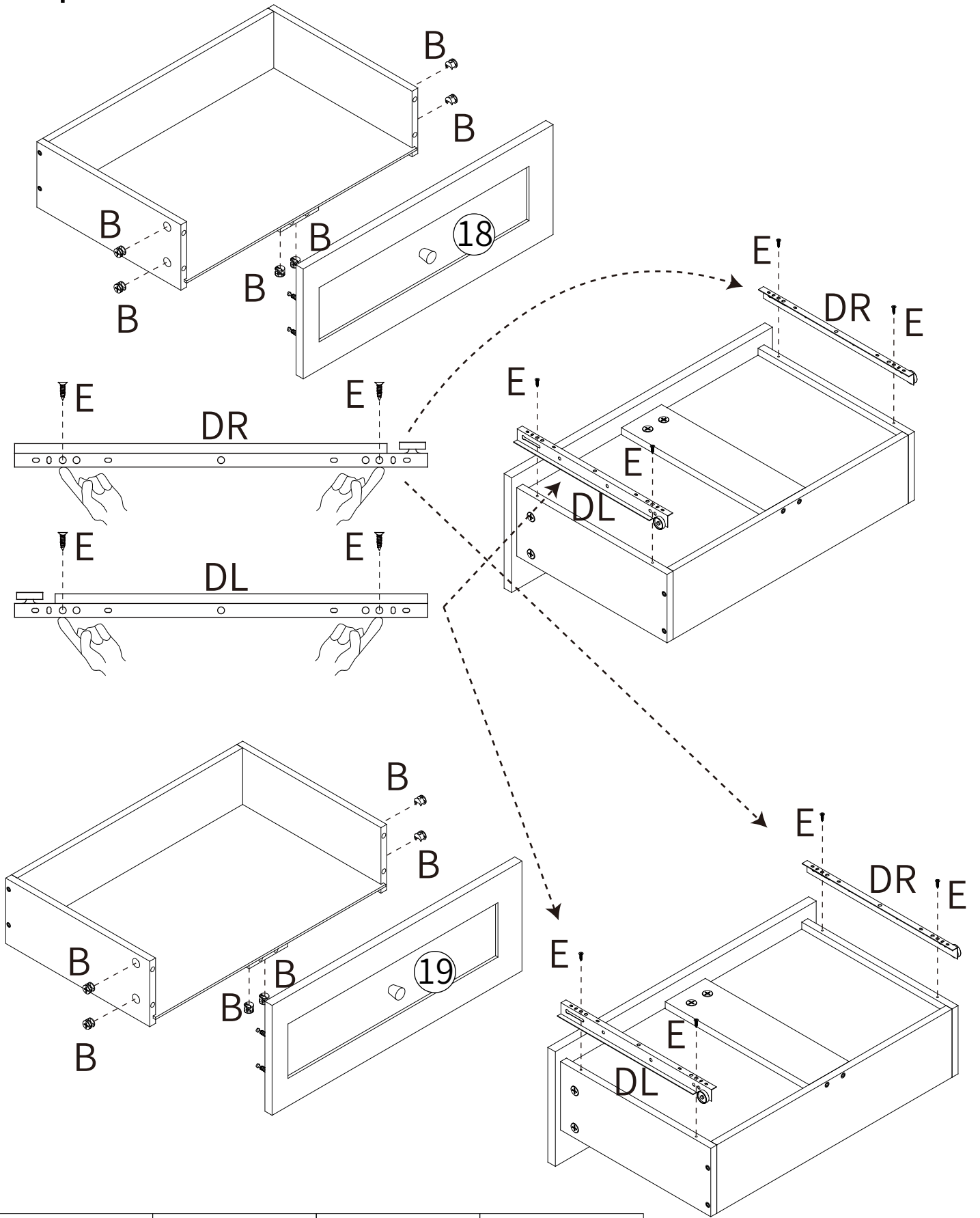




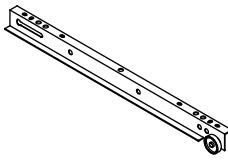
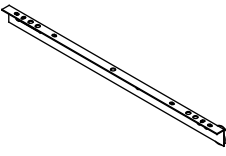
23 X2



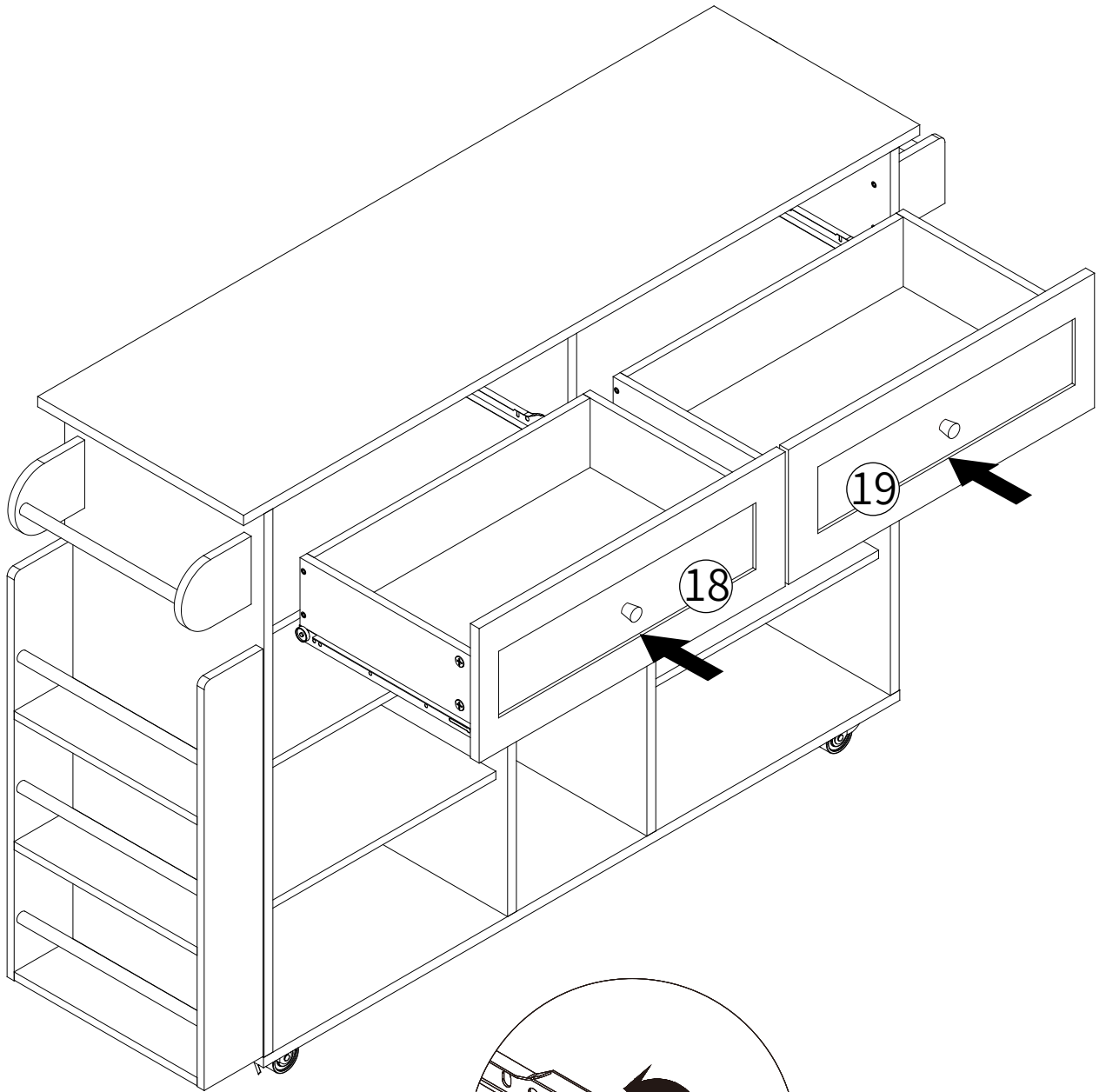
 <p>φ6x35mm</p>		 <p>L1 L2</p>
<p>A x 12</p>	<p>D x 12</p>	<p>L x 2</p>

Step 23

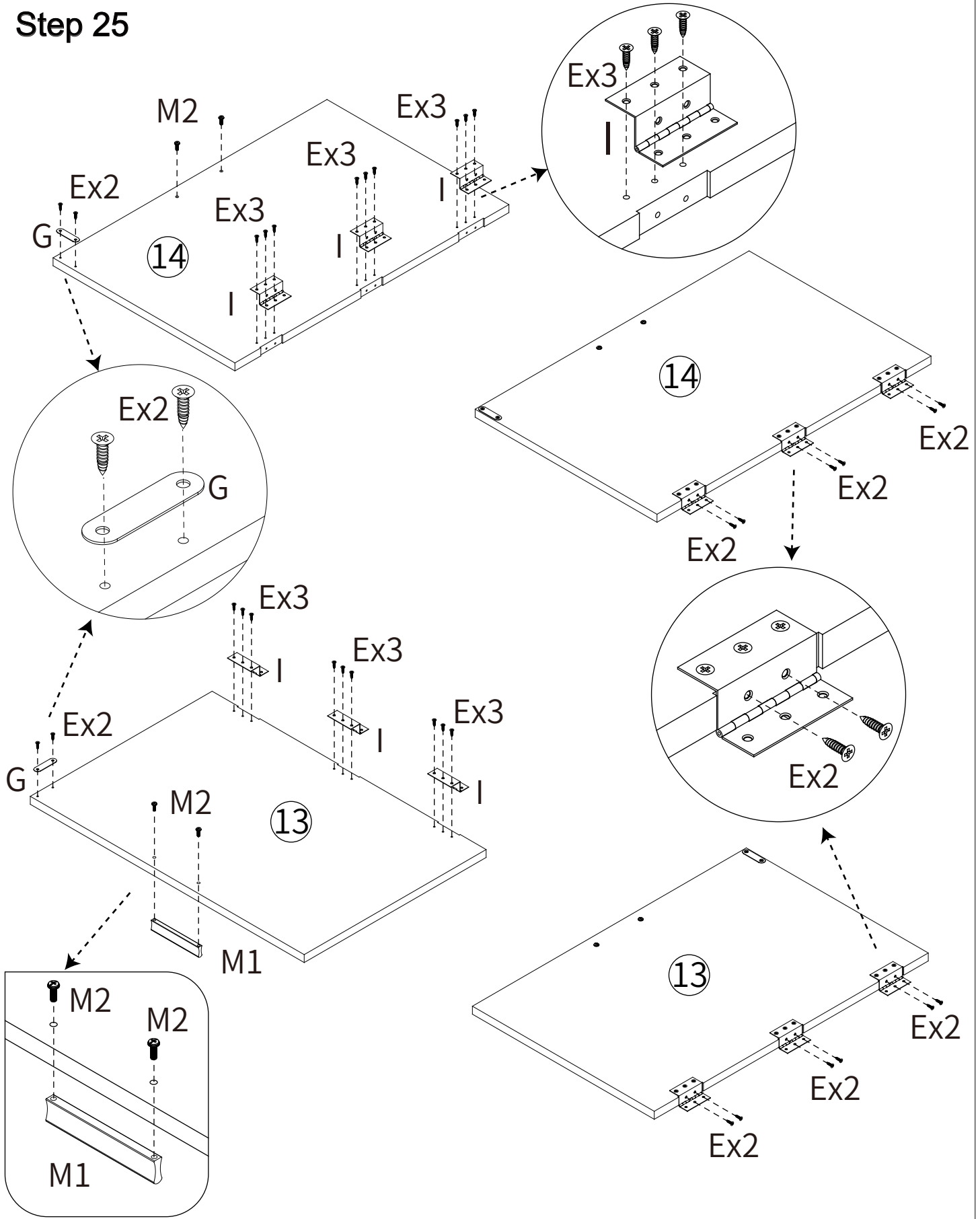




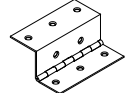
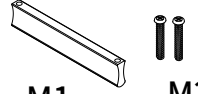
 <p>$\phi 15 \times 9.5 \text{mm}$</p>	 <p>M3.5x12mm</p>	 <p>DL x 2</p>	 <p>DR x 2</p>
<p>B x 12</p>	<p>E x 8</p>	<p>DL x 2</p>	<p>DR x 2</p>

Step 24

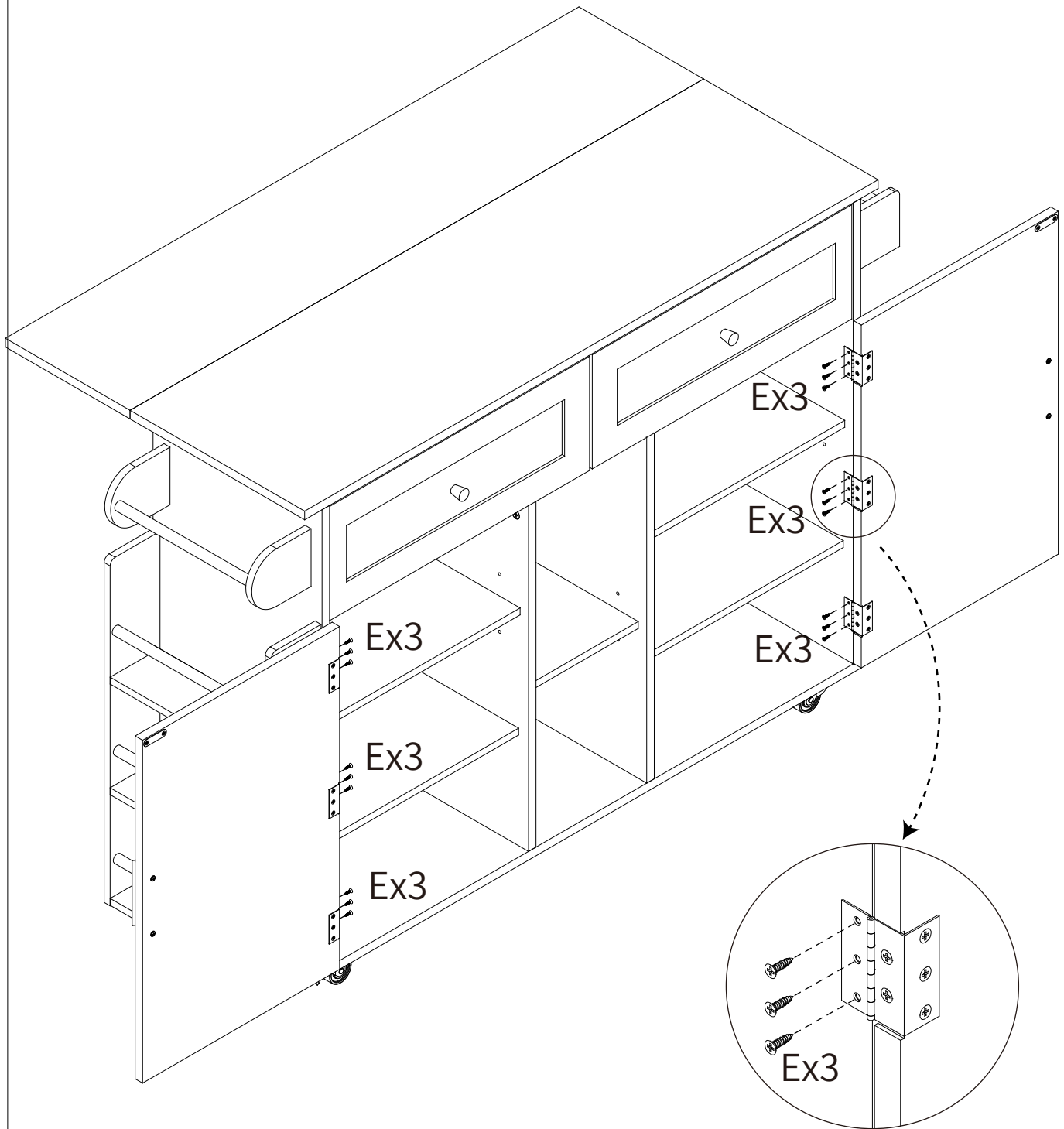


Step 25



 M3. 5x12mm	 G x 2	 I x 6	 M1 M2
Ex x 34	G x 2	I x 6	M x 2

Step 26



M3.5x12mm

E x 18

Step 27

