























# Assembly Instructions

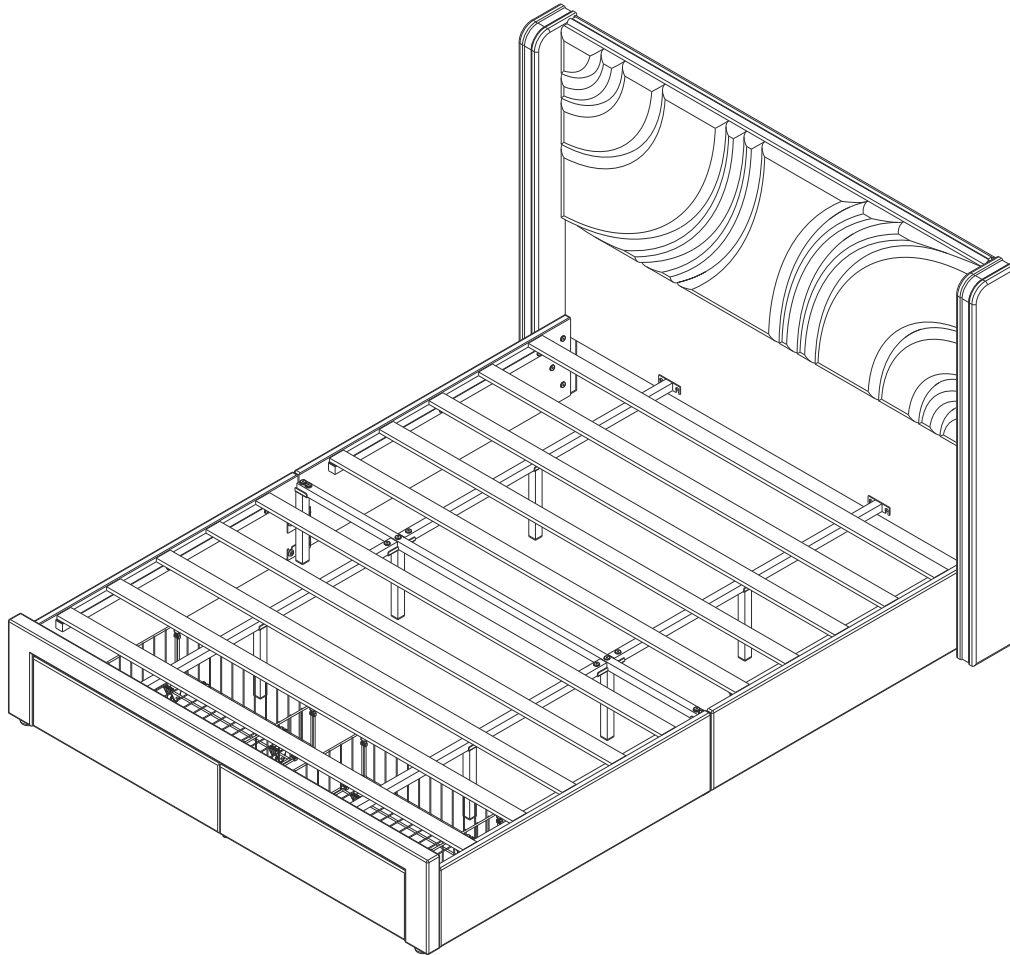
**Caution : You must read this before you proceed**

-   • Not for commercial use. For residential use only.
-   • Furniture may scratch floors. We recommend using furniture pads to protect your floors.
-   • Do not put hot items directly on furniture surface.
-   • Do not clean furniture with harsh cleansers or polish.
-   • Do not place furniture under direct sunlight.
-   • Do not place furniture near heating or cooling vents.
-   • Do not write on furniture without a padded barrier to protect the surface.
-   • Do not place furniture outside . For indoor use only.
-   • Stains may be removed with mild soap solution and damp cloth.
-   • Children should not climb or jump on the furniture.
-   • Dust and pick-up spills using a clean, non-colored, lint-free cloth.

**Please look in N701P286698 for hardware packs and legs.**

# Montageanleitung | Instructions de montage Assembly Instructions | Instrucciones de montaje

## SKU NUMBER: N701P286698



**GB** This set comes in 1 box. If you do not receive the complete box, please contact our customer service.

**DE** Dieses Set ist in einer Box. Wenn Sie noch kein komplettes Paket erhalten haben, wenden Sie sich bitte an unseren Kundenservice.

**FR** Cet ensemble est livré dans une boîte. Si vous ne recevez pas un ensemble complet de 1 boîte, veuillez contacter notre service clientèle.

## English

### IMPORTANT ! KEEP FOR FUTURE REFERENCE : READ CAREFULLY

- To be assembled by an adult. Assembly must be checked by an adult before use
- WARNING ! Keep all screws, small parts and plastic bags out of the reach of children
- Properly identify all parts before assembling
- Never use your item if any of its parts are broken or missing
- Should any problems arise, please contact our After Sales Service
- Manufacturer's instructions shall be followed at all times
- Care: Clean with a soft, dry cloth. In case of larger stains, carefully rub with a slightly damp, non-abrasive sponge
- Avoid the risk of fire by not placing furniture near sources of ignition or hot items
- Do not jump on the bed

## Deutsch

### WICHTIG ! ZUM SPÄTEREN NACHSCHLAGEN AUFBEWAHREN: SORGFÄLTIG LESEN

- Muss von einem Erwachsenen zusammengebaut werden. Der Zusammenbau muss vor dem Gebrauch von einem Erwachsenen überprüft werden
- WARNUNG! Bewahren Sie alle Schrauben, Kleinteile und Plastikbeutel außerhalb der Reichweite von Kindern auf
- Kennzeichnen Sie vor dem Zusammenbau alle Teile richtig
- Benutzen Sie Ihren Artikel niemals, wenn Teile gebrochen sind oder fehlen
- Sollten Probleme auftreten, wenden Sie sich bitte an unseren Kundendienst
- Die Anweisungen des Herstellers sind stets zu befolgen
- Pflege: Mit einem weichen, trockenen Tuch reinigen. Bei größeren Flecken vorsichtig mit einem leicht feuchten, nicht scheuernden Schwamm abreiben. nicht scheuernden Schwamm
- Vermeiden Sie die Gefahr eines Brandes, indem Sie die Möbel nicht in der Nähe von Zündquellen oder heißen Gegenständen aufstellen
- Nicht auf das Bett springen

## Français

### IMPORTANT ! CONSERVER POUR RÉFÉRENCE ULTÉRIEURE : LIRE ATTENTIVEMENT

- Le montage doit être effectué par un adulte. Le montage doit être vérifié par un adulte avant Utilisation
- ATTENTION ! Tenir les vis, les petites pièces et les sachets en plastique hors de portée des enfants
- Identifiez correctement toutes les pièces avant de les assembler
- N'utilisez jamais votre article si l'une de ses pièces est cassée ou manquante
- En cas de problème, veuillez contacter notre service après-vente
- Les instructions du fabricant doivent être respectées à tout moment
- Entretien : nettoyer avec un chiffon doux et sec. En cas de taches plus importantes, frotter soigneusement avec une éponge non abrasive légèrement humide. légèrement humide et non Abrasive
- Évitez les risques d'incendie en ne plaçant pas les meubles à proximité de sources d'inflammation ou d'objets chauds
- Ne pas sauter sur le lit

## Italiano

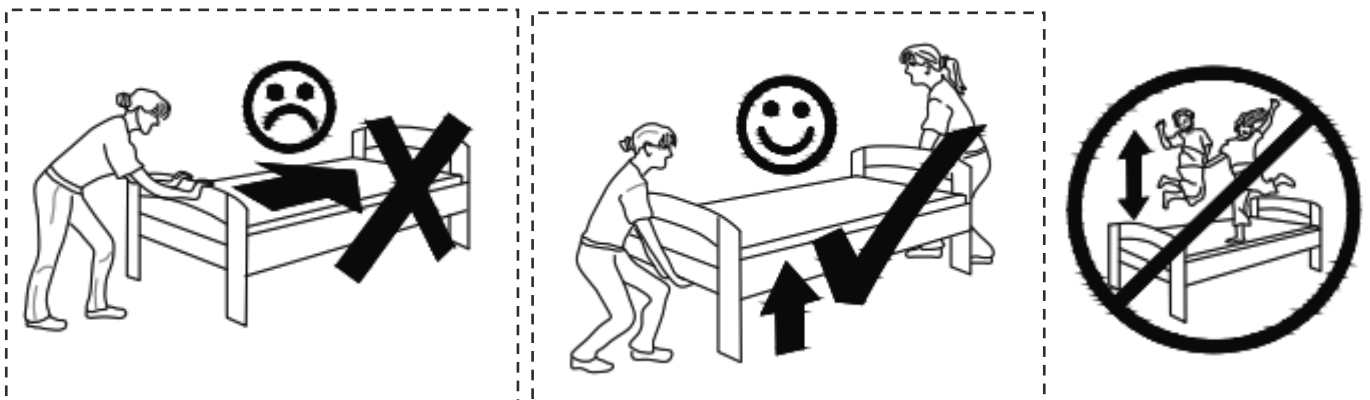
### IMPORTANTE! CONSERVARE PER RIFERIMENTO FUTURO: LEGGERE ATTENTAMENTE

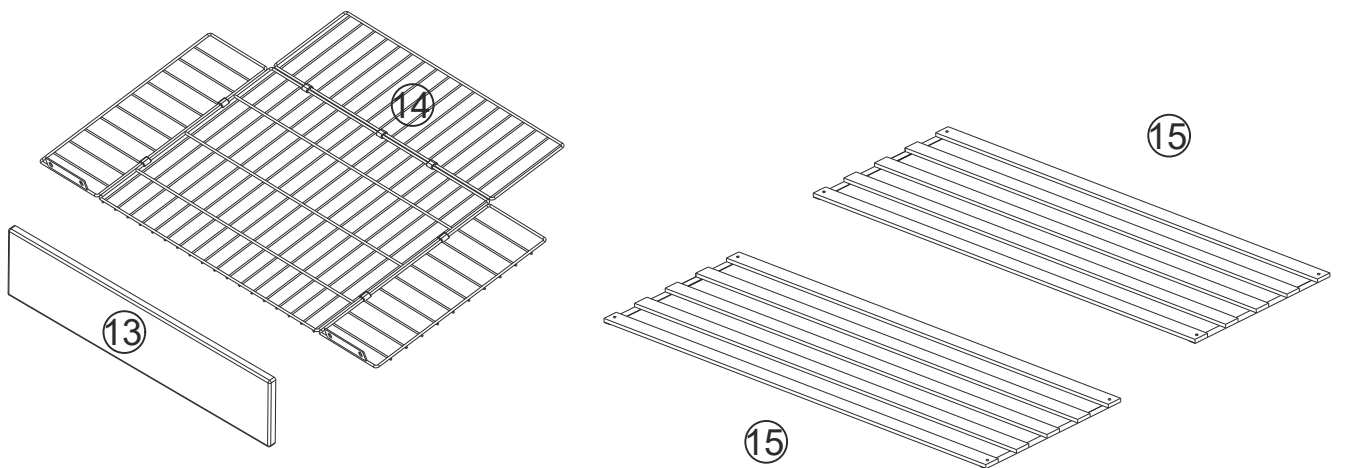
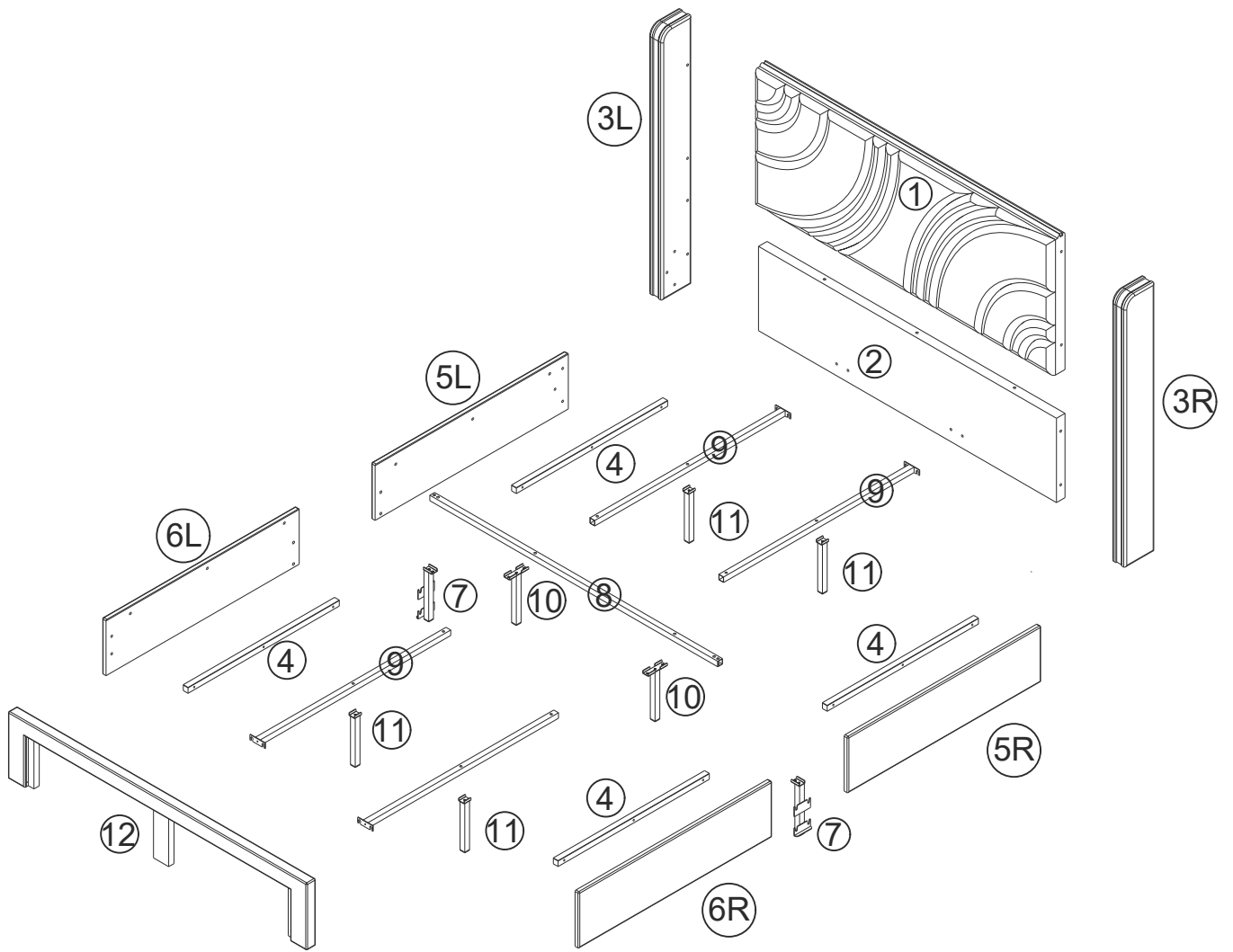
- Deve essere assemblato da un adulto. L'assemblaggio deve essere controllato da un adulto prima dell'uso
- **ATTENZIONE!** Tenere tutte le viti, le piccole parti e i sacchetti di plastica fuori dalla portata dei bambini
- Identificare correttamente tutte le parti prima dell'assemblaggio
- Non utilizzare mai l'articolo se alcune parti sono rotte o mancanti
- In caso di problemi, si prega di contattare il nostro Servizio Post Vendita
- Le istruzioni del produttore devono essere sempre seguite
- Cura: Pulire con un panno morbido e asciutto. In caso di macchie più estese, strofinare accuratamente con una spugna leggermente umida e nonspugna leggermente umida e non abrasiva
- Evitare il rischio di incendio, non collocando i mobili vicino a fonti di accensione o a oggetti caldi
- Non saltare sul letto

## Español

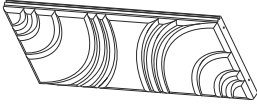
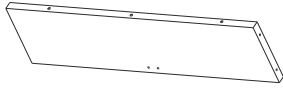


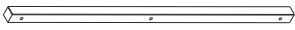

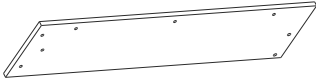
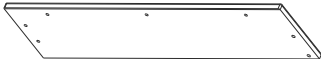
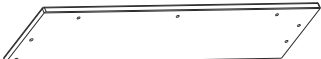
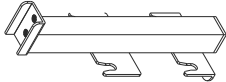


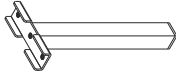
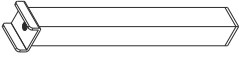
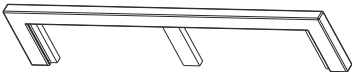

### ¡ IMPORTANTE ! CONSERVELO PARA FUTURAS CONSULTAS: LEA ATENTAMENTE

- Debe ser montado por un adulto. El montaje debe ser comprobado por un adulto antes del uso
- ADVERTENCIA Mantenga todos los tornillos, piezas pequeñas y bolsas de plástico fuera del alcance de los niños.
- Identifique correctamente todas las piezas antes de montarlas
  - Nunca utilice su artículo si alguna de sus piezas está rota o falta
  - Si surge algún problema, póngase en contacto con nuestro Servicio Postventa
  - Las instrucciones del fabricante deben seguirse en todo momento
  - Cuidado: Limpiar con un paño suave y seco. En caso de manchas más grandes, frote cuidadosamente con una esponja no abrasiva ligeramente humedecida.
  - Evite el riesgo de incendio no colocando los muebles cerca de fuentes de ignición u objetos calientes.
  - No saltar sobre la cama.

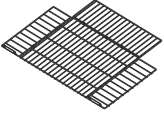
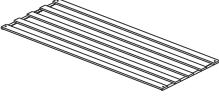






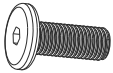
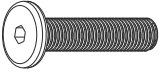

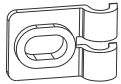

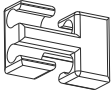
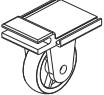
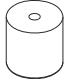
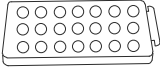
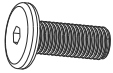

# Parts List

Label	Picture	Description	QTY
①		Headboard	1
②		Headboard Lower Board	1
③L		Left Wing	1
③R		Right Wing	1
④		Support For Wood Slat	4
⑤L		Side Rails(LH-1)	1
⑤R		Side Rails(RH-1)	1
⑥L		Side Rails(LH-2)	1
⑥R		Side Rails(RH-2)	1
⑦		Side Leg	2
⑧		Middle Pull Rod	1
⑨		Center Support Bar	4
⑩		Middle Support Leg	2
⑪		Center Support Leg	4
⑫		Footboard	1
⑬		Drawer Board	2

## Parts List

Label	Picture	Description	QTY
⑭		Drawer Frame	2
⑮		Slats	2

## Hardware

Label	Picture	Description	QTY
A		Allen Key	1
B		Screw(4.0x25mm )	9
C		Bolts(M8x15mm)	26
D		Bolts(M8x35mm)	45
E		Connector	2
F		Plastic Parts-1	2
G		Foot Bed	2
H		Plastic Parts-2	4
J		Drawer Wheels	8
K		Rear Foot	1
M		Remote Control	1
L		Bolts(M8x20mm)	8
N		Power cord	1

## Assembly Preparation

### Before Beginning Assembly:



- Read instructions, cover to cover-



- Have 2 adults on hand for assembly-



- Do not assemble on flooring or carpet-



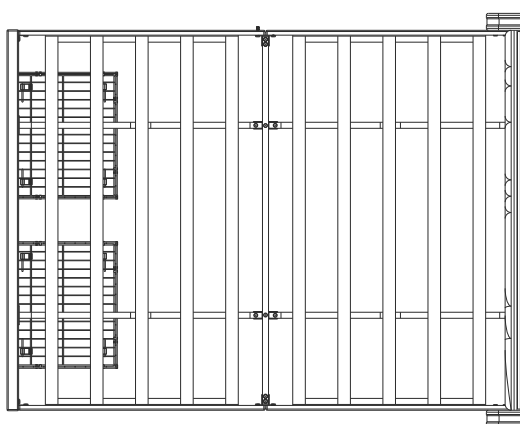
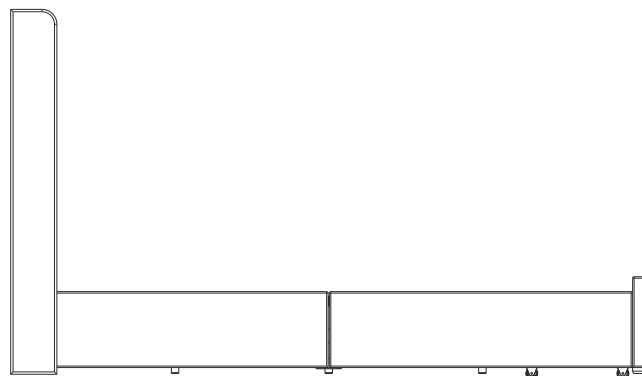
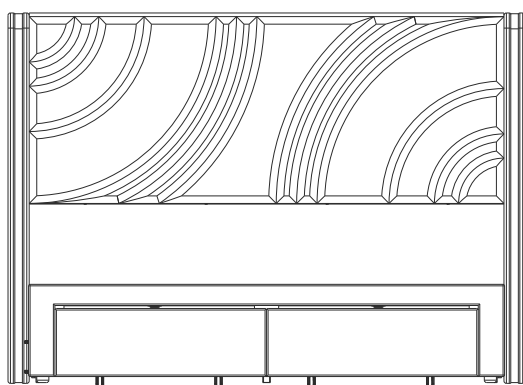
- Assemble on a clean non-marring surface (packing foam)-



- Save all packaging until finished-

## Assembly Steps

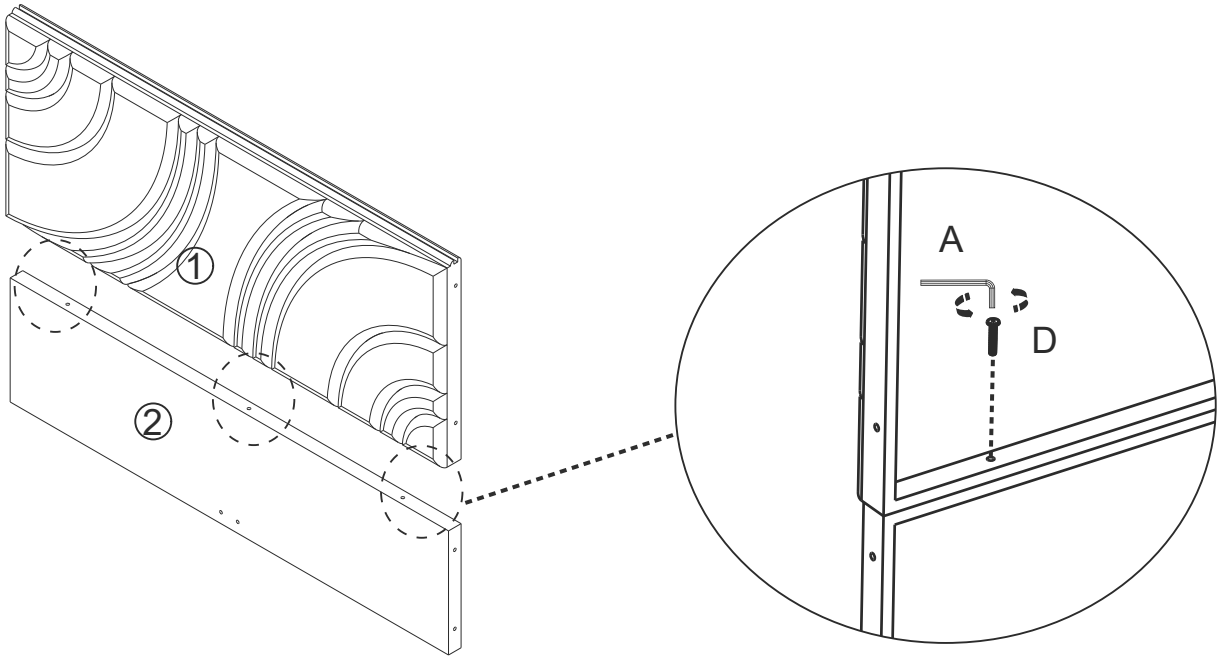
### Overview



This bed has multiple parts and may require up to some 30 minutes to assemble. To give you an overview of the bed parts, the above picture is to help you put the various parts into perspective. Please read through the instructions below to familiarise yourself with the parts and steps before assembly.

1

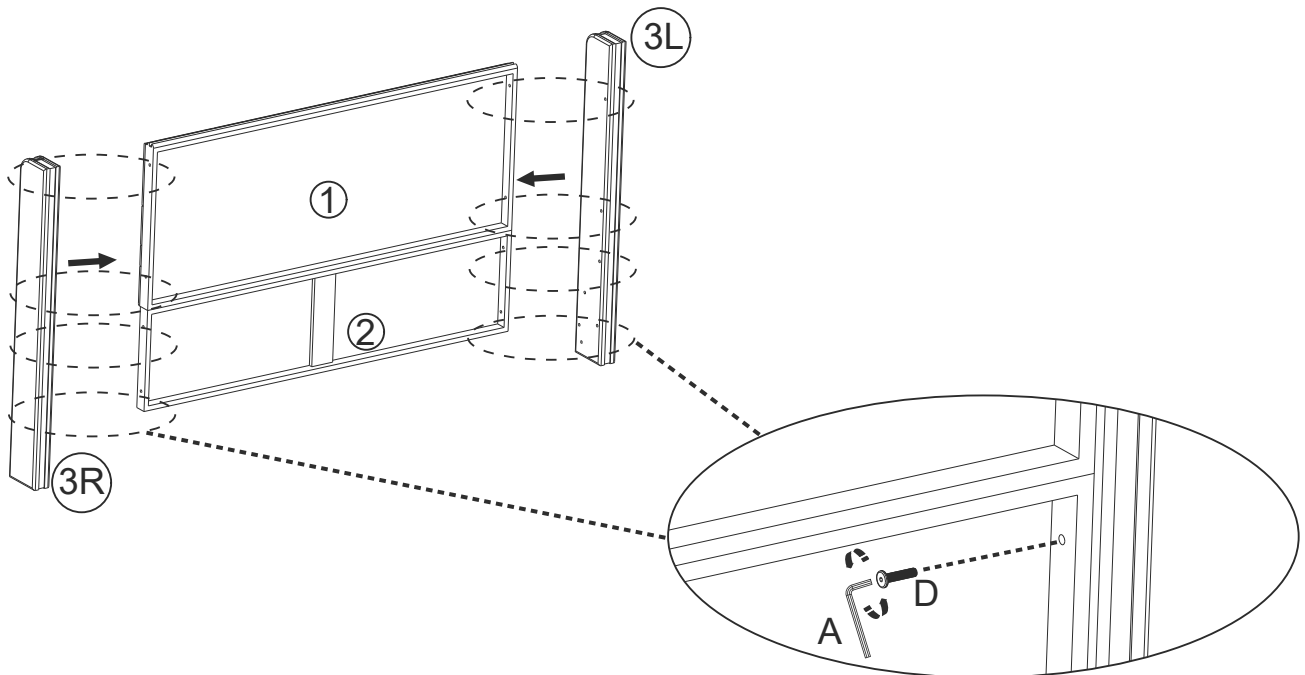
A x 1 	D x 3  M8x35mm
--	---



**Connect the top front panel (1) to the bottom front panel (2) with bolts (D).**



2

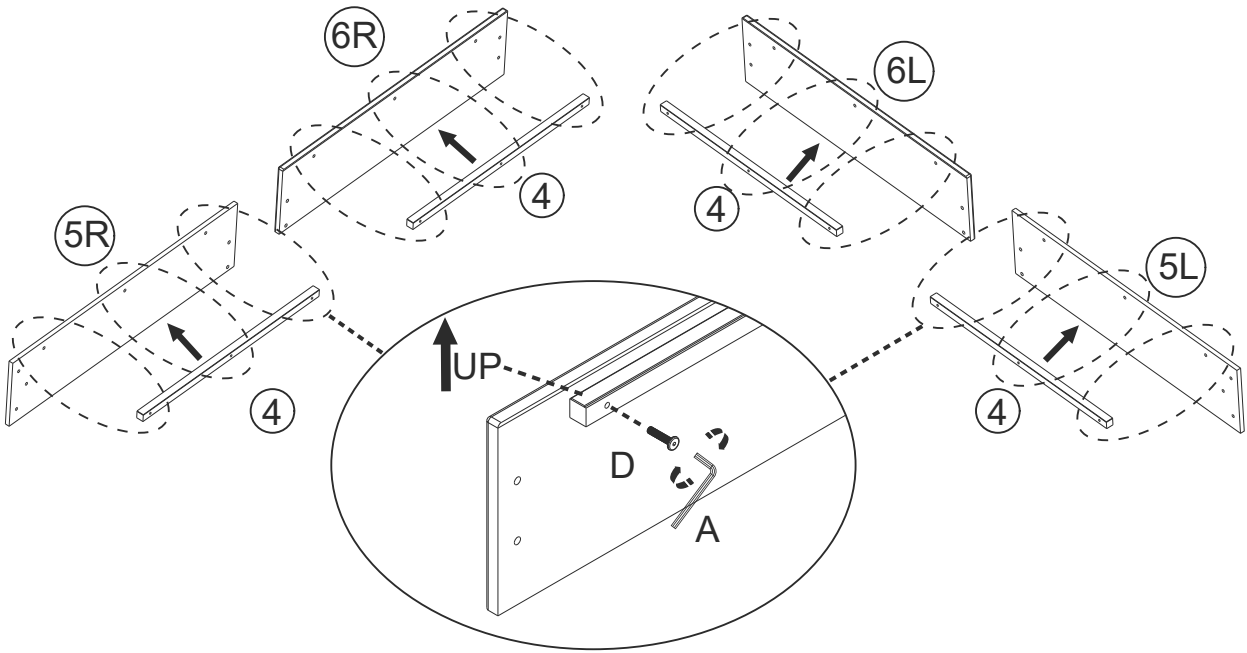
A x 1 	D x 8  M8x35mm
--	---



**Connect the left front panel (3L) to the top and front panel (1) with bolts (D).  
Connect the right front panel (3R) to the top and front panel (1) with bolts (D).**

3

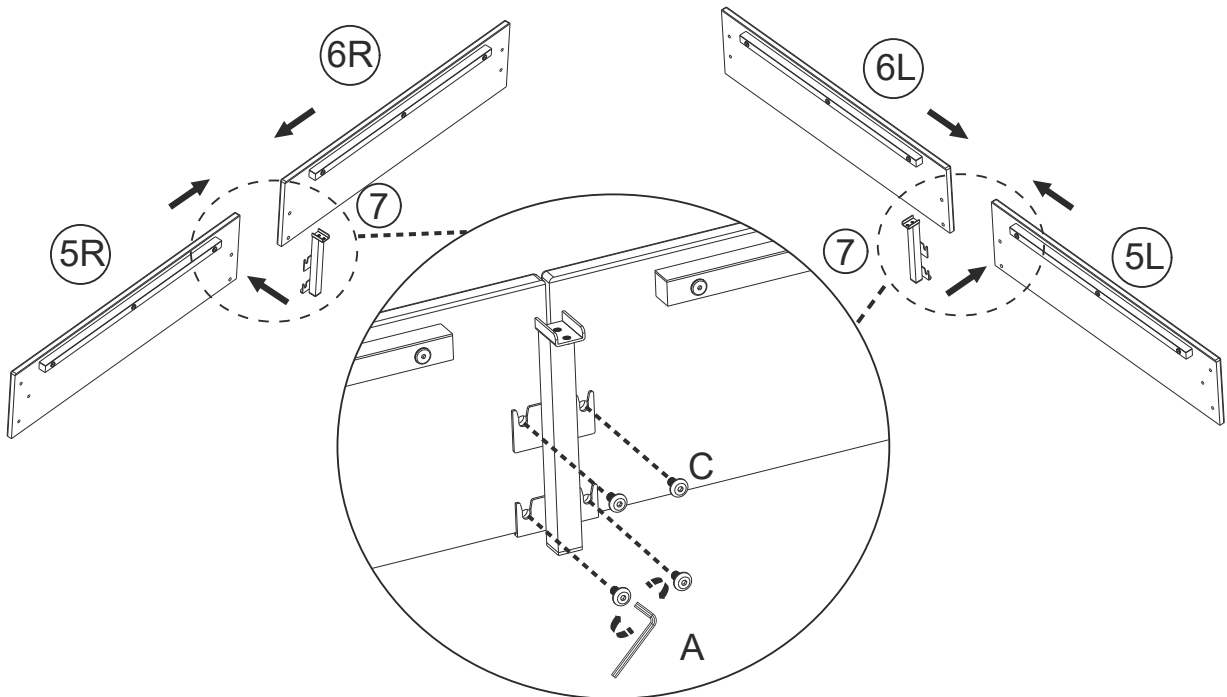
A x 1 	D x 12  M8 x 35mm
--	--



**Connect the supporting wooden board (4) to the four bed side panels (5L), (5R), (6L) and (6R) with bolts (D).**

4

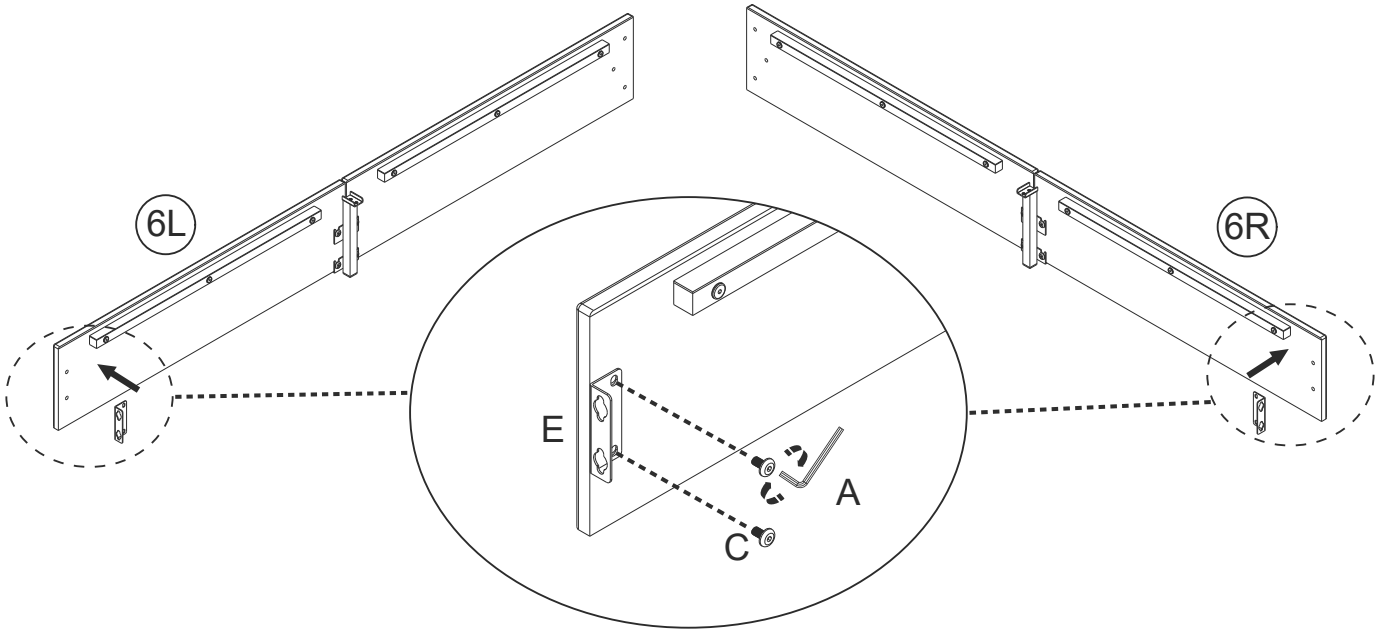
A x 1 	C x 8  M8 x 15mm
--	---



**Connect the leg support (7) to the right side panel (5R) and the left back panel (6L) with bolts (C).  
Connect the leg support (7) to the right side panel (6R) and the left back panel (5L) with bolts (C).**



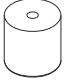
5

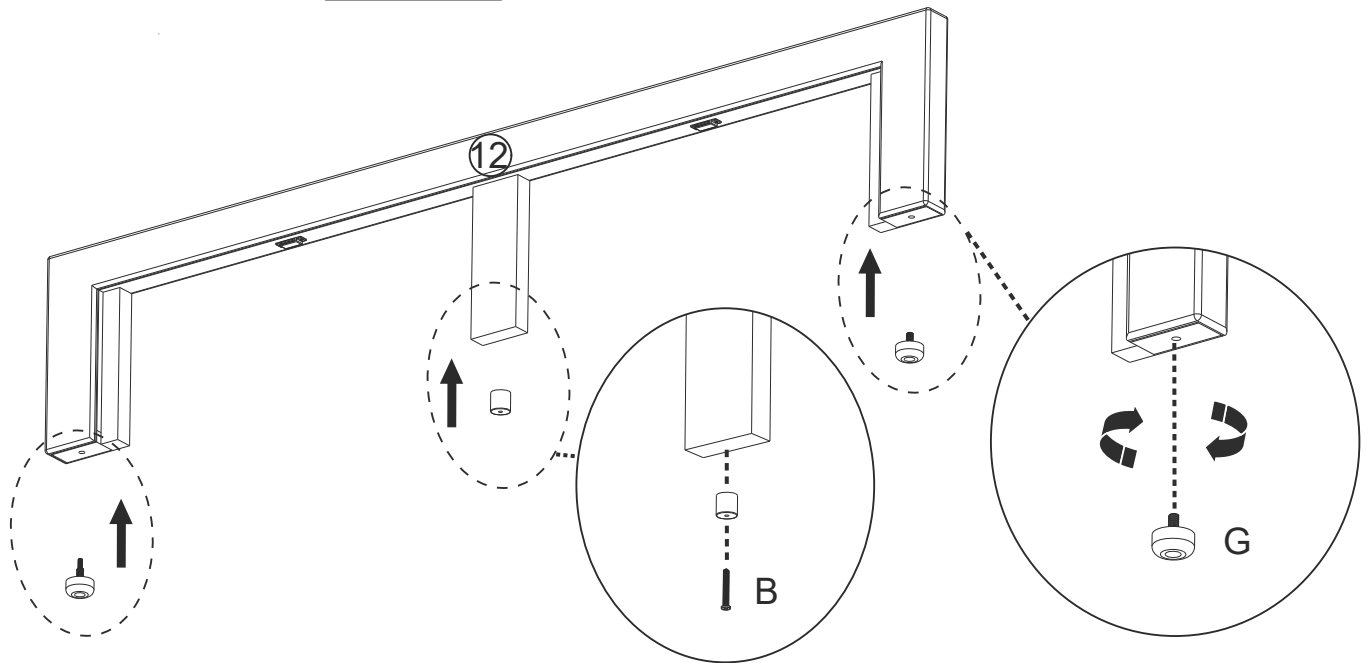
A x 1 	C x 4 M8 x 15mm 	E x 2 	
--	---	--	--



**Connect the corner bracket (E) to the side panel (6L) and the side wooden board (6R) with bolts (C).**


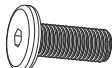
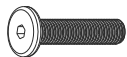
6

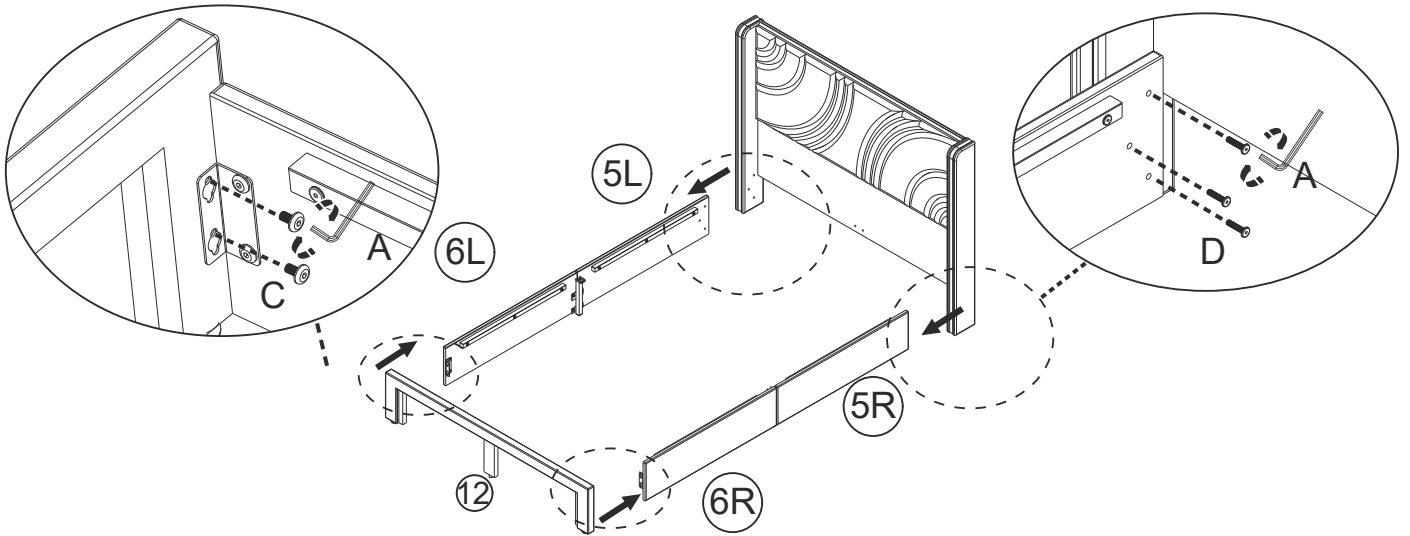
B x 1 	G x 2 	K x 1 	
--	--	--	--



**Install the fixed leg (G) onto the bed foot (12). Fix the plastic leg (K) to the bed foot (12) with the screw (B).**

7

A x 1 	C x 4  M8 x 15mm	D x 6  M8 x 35mm	
--	---	---	--



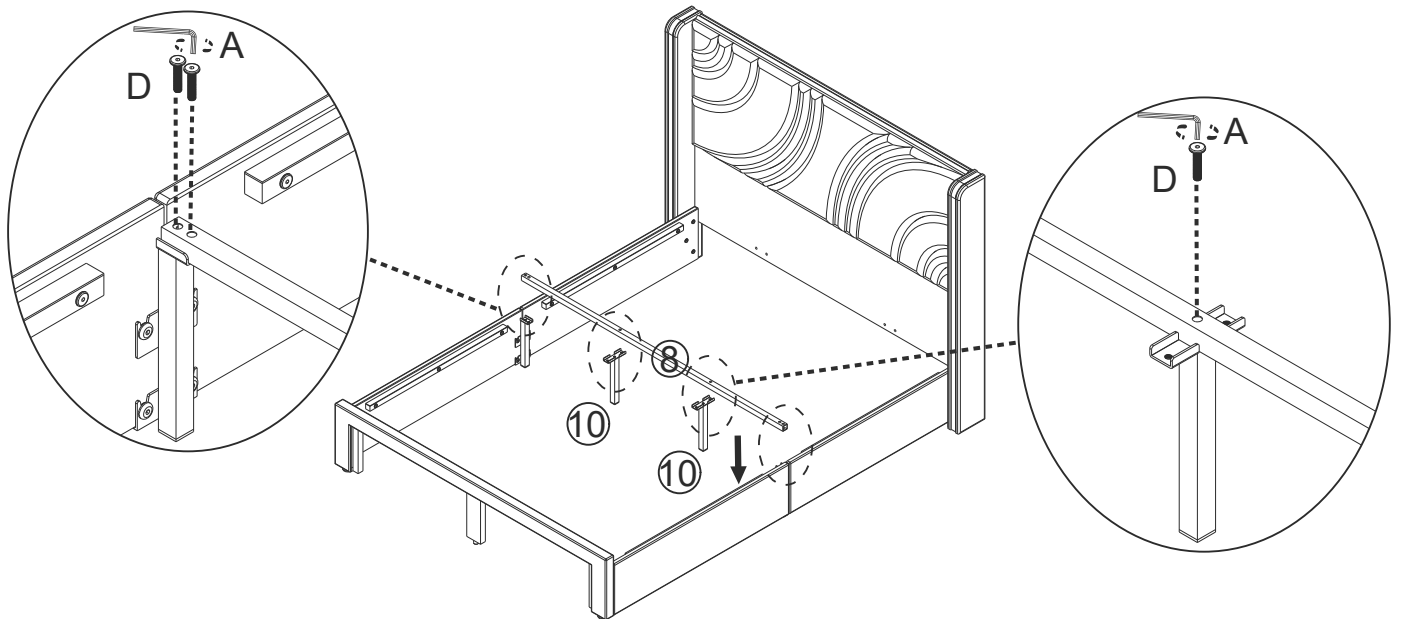
**Connect the footboard (12) to the corner brackets (E) on the left and right side panels (6L) and (6R) with bolts (C).**

**Connect the left side panel (5L) to the left bed ear (3L) with bolts (D).**

**Connect the right side panel (5R) to the right bed ear (3R) with bolts (D).**

8


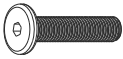
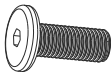
A x 1 	D x 6  M8 x 35mm		
--	---	--	--

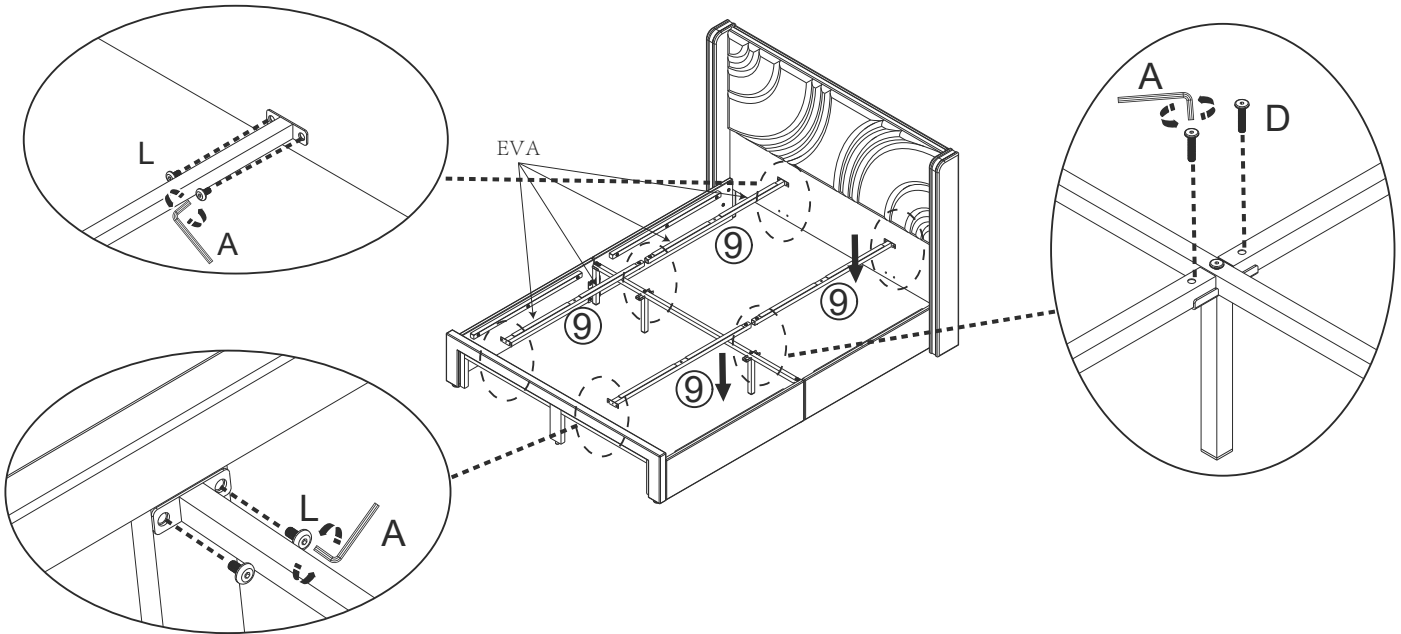


**Connect the middle tie rod (8) to the central column support (10) with bolts (D)**

**Connect the middle tie rod (8) to the side feet (7) with bolts (D).**

9

A x 1 	D x 4  M8 x 35mm	L x 8  M8 x 20mm
--	---	---

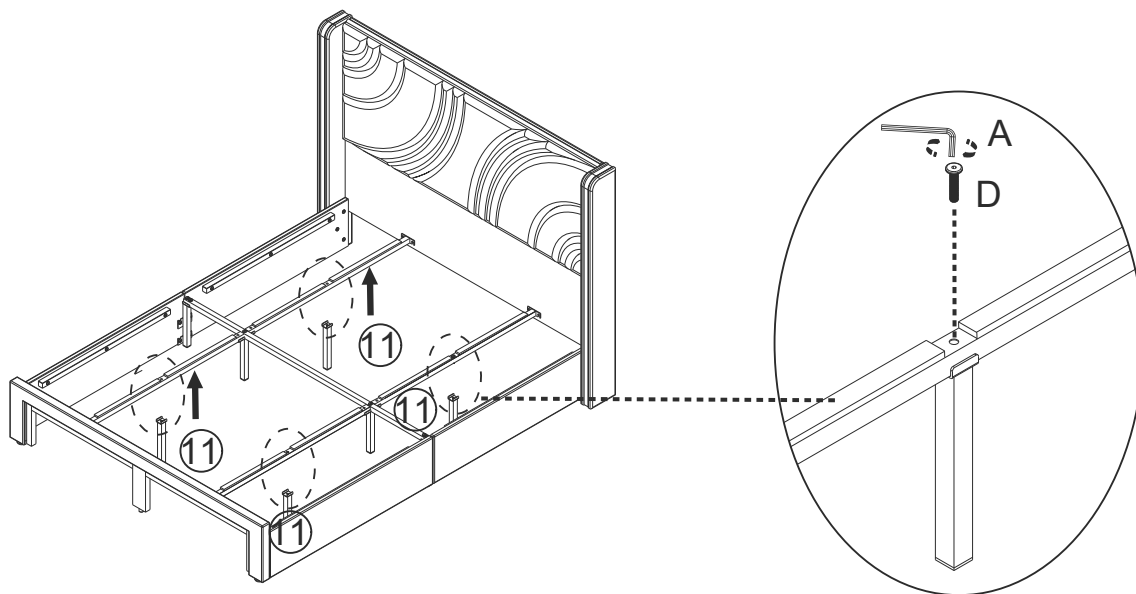


Connect the tie rod (9) to the central leg support (10) with bolts (D).

Fix the railing (9) to the footboard (12) with bolts (L), and connect the tie rod (9) to the lower headboard (2) with bolts (L).

10

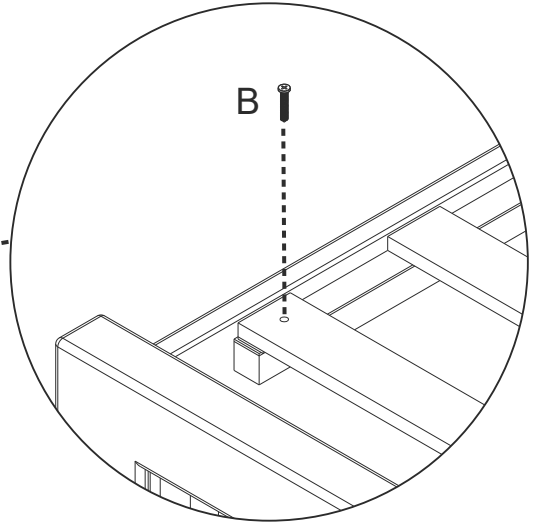
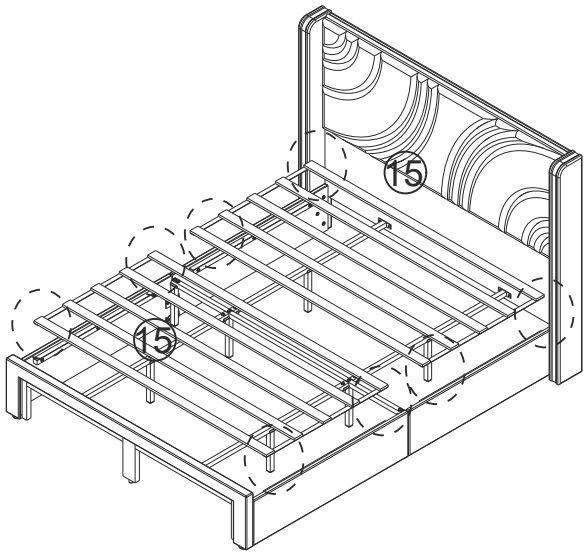
A x 1 	D x 4  M8 x 35mm
--	---



Connect the middle leg (11) to the front and rear tie rods (9) with bolts (D).

11

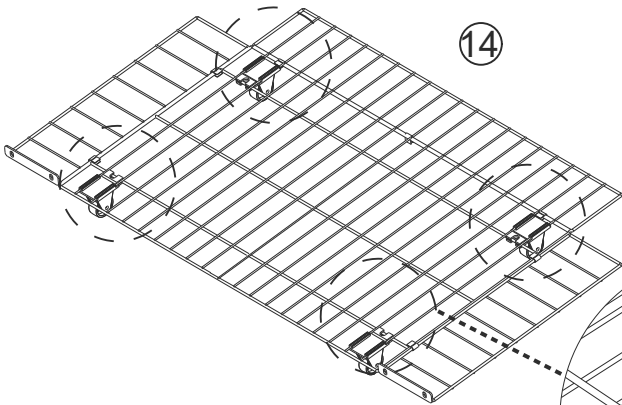
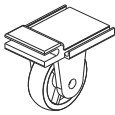
B x 8



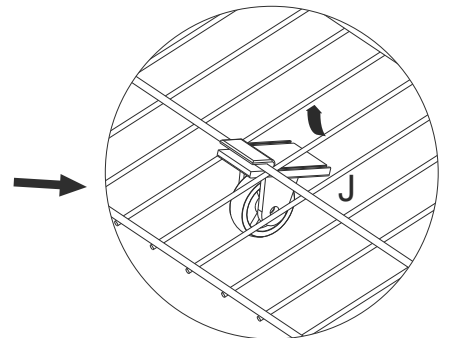
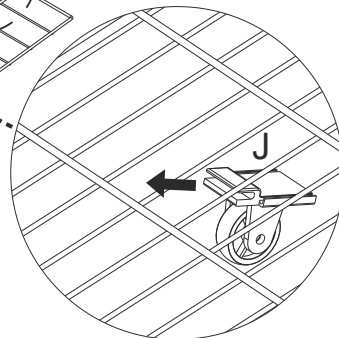
Fix the bed slats on the wooden board support strips (4) and then use screws (B) to secure the bed slats.

12

J x 8



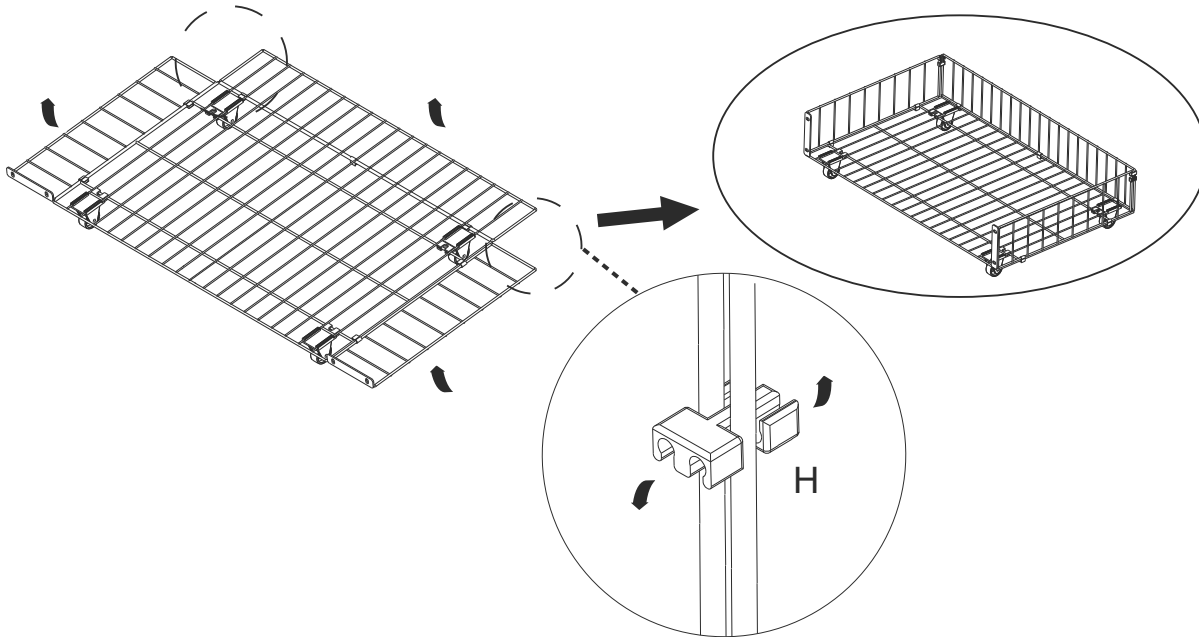
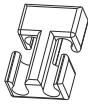
X2



Fix the drawer wheels (J) on the drawer iron frame (14).

13

H x 4



X2

**Fold up the three sides of the drawer iron frame (14) and fix them with plastic parts (H).**

14

A x 1

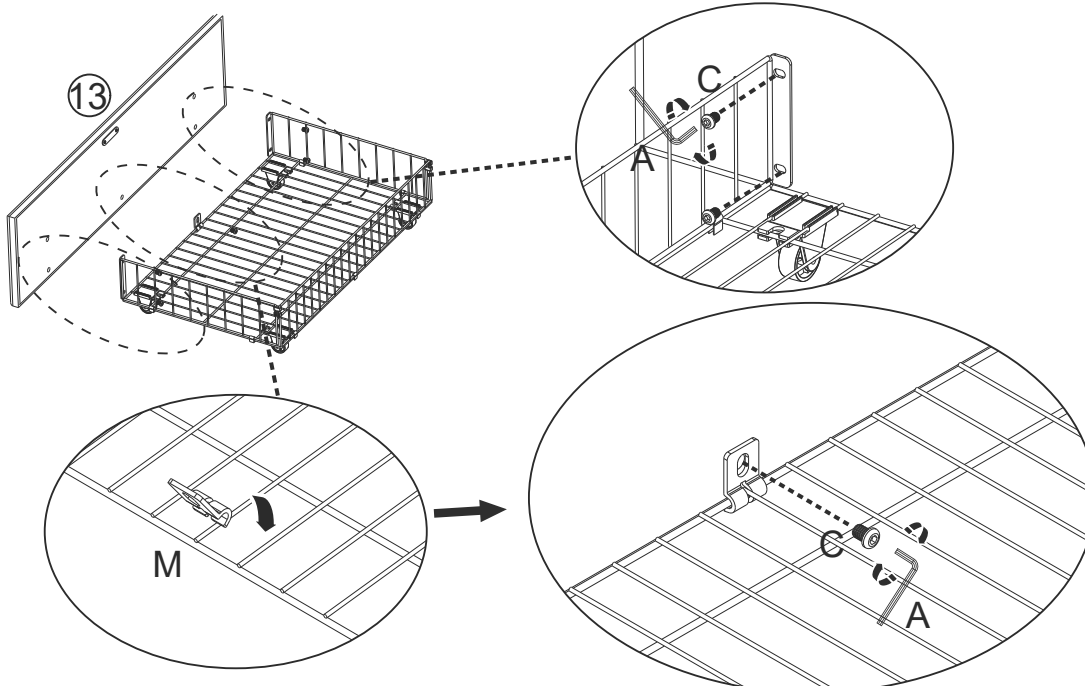
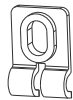


C x 10



M8 x 15mm

M x 2



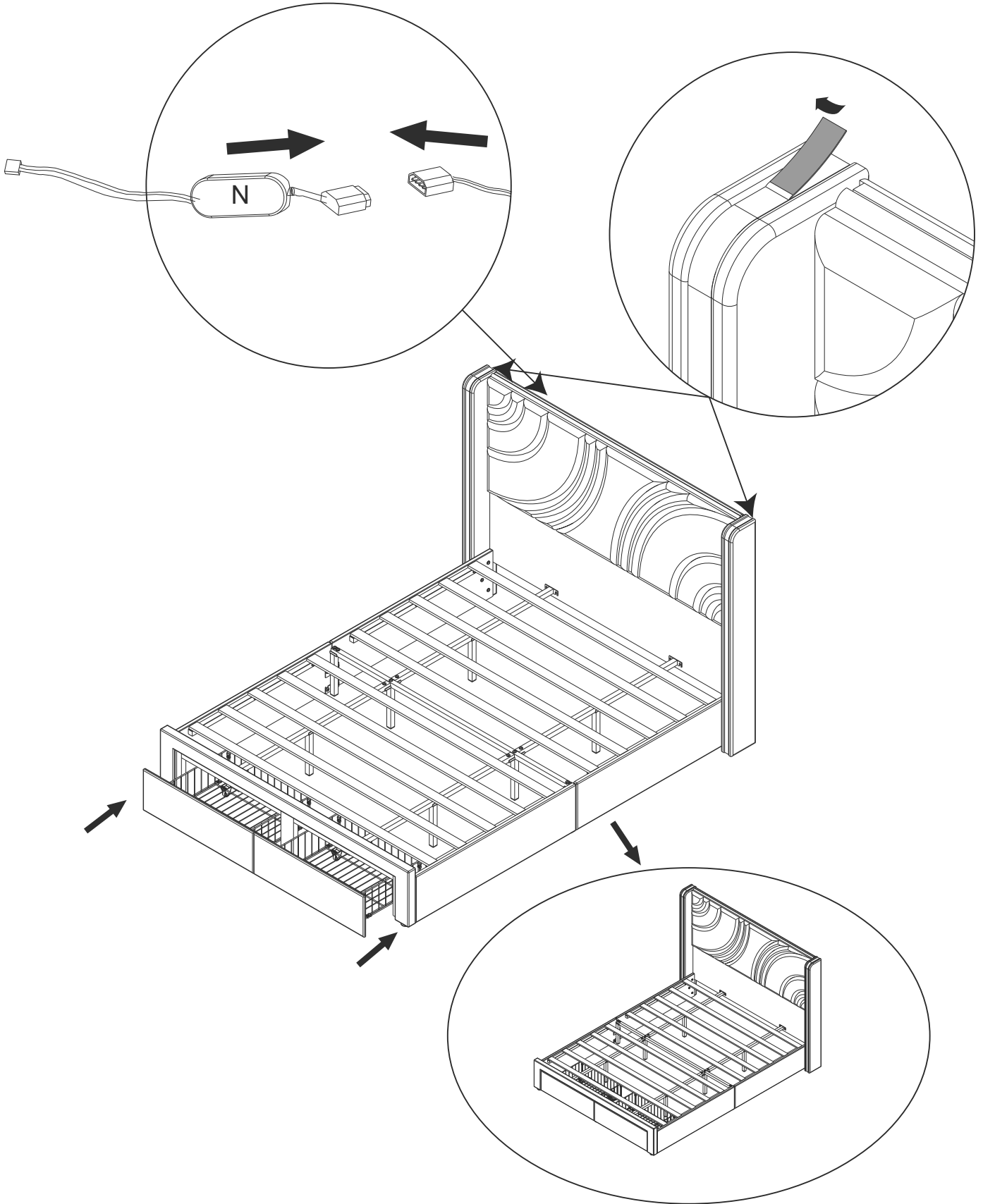
X2

**Fix the plastic part (M) onto the drawer iron frame (14).**


**Fix the drawer frame (14) and the drawer panel (13) together with the screws (C).**

15

N x 1



Finally, push the drawer into the foot of the bed (12).

<b>⚠ WARNING</b>	
<ul style="list-style-type: none"><li>· <b>INGESTION HAZARD:</b> This product contains a button cell or coin battery</li><li>· <b>DEATH</b> or serious injury can occur if ingested.</li><li>· A swallowed button cell or coin battery can cause Internal Chemical Burns in as little as 2 hours.</li><li>· <b>KEEP</b> new and used batteries <b>OUT OF REACH</b> Of CHILDREN</li><li>· Seek immediate medical attention if a battery is suspected to be swallowed or inserted inside any part of the body.</li></ul>	

**(a) Remove and immediately recycle or dispose of used batteries according to local regulations and keep away from children.**

**Do NOT dispose of batteries in household trash or incinerate.**

**(b) Even used batteries may cause severe injury or death.**

**(c) Call a local poison control center for treatment information**

**(d) The compatible battery type(CR2025).**

**(e) The nominal battery voltage.(3.0(V)**

**(f) Non-rechargeable batteries are not to be recharged.**

**(g) Do not force discharge, recharge, disassemble, heat above manufacturer's specified temperature rating, or incinerate.**

**Doing so may result in injury due to venting, leakage or explosion resulting in chemical burns.**