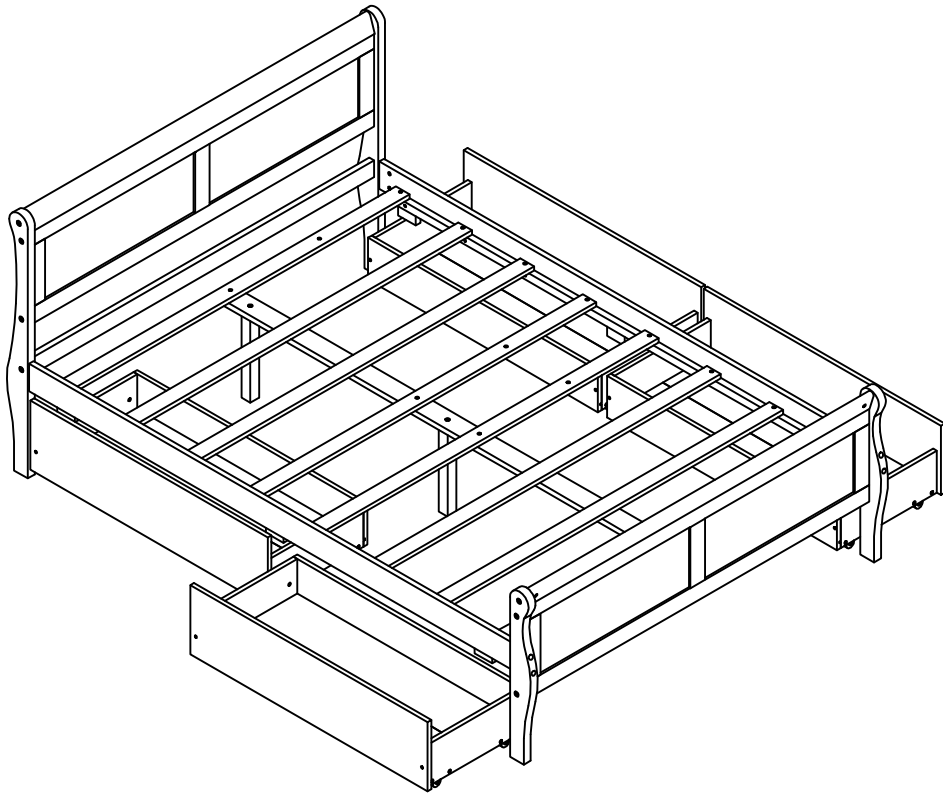
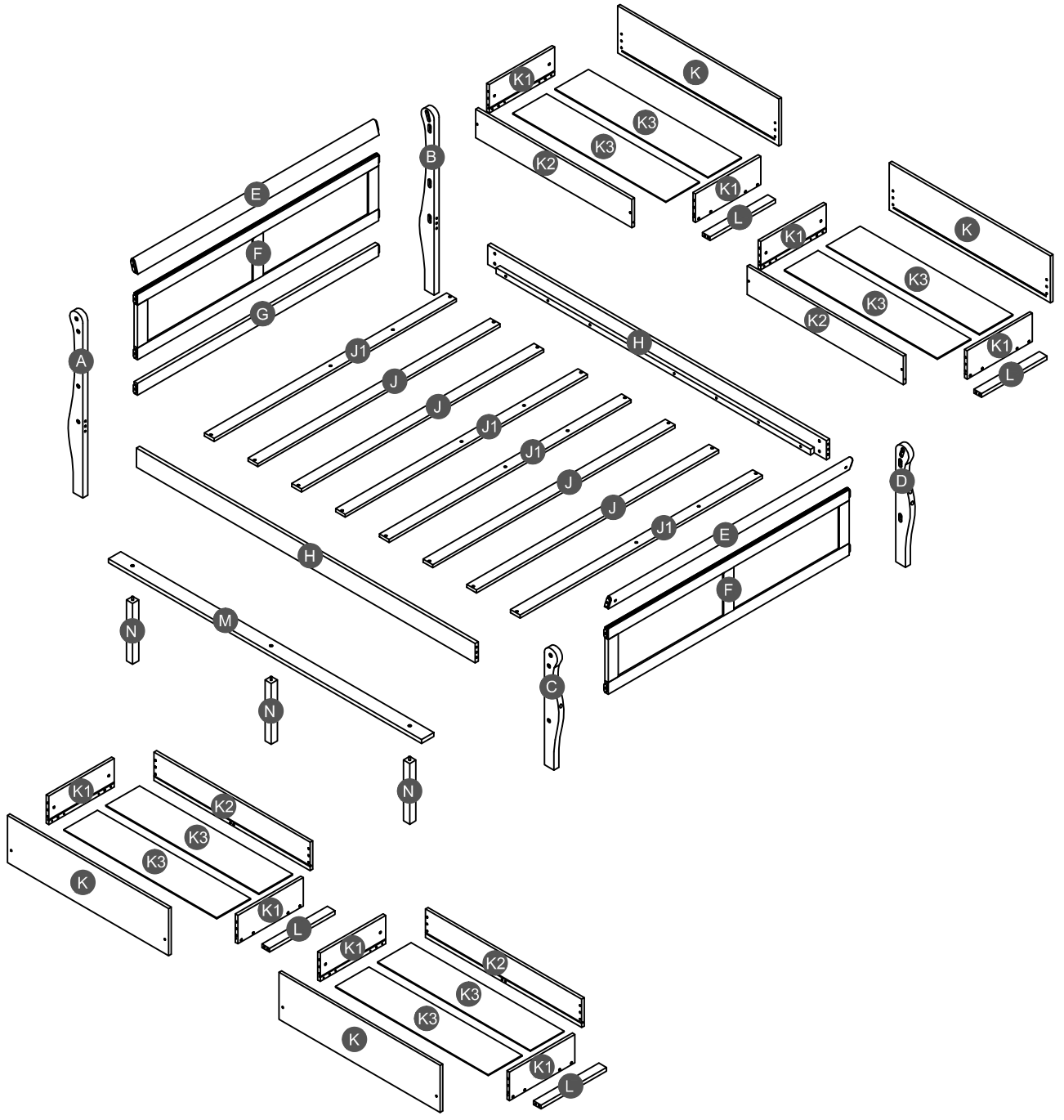


# ASSEMBLY INSTRUCTIONS



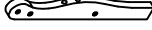

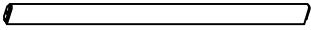
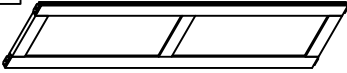
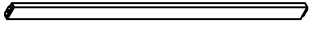
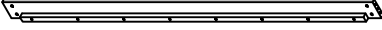



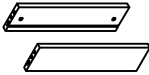

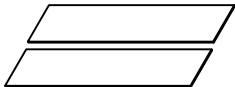
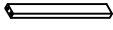

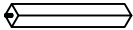
## FULL BED WITH 4 DRAWERS



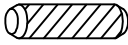
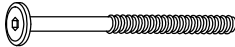
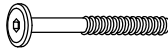
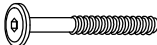


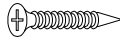
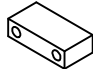
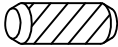
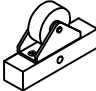
# Detail View



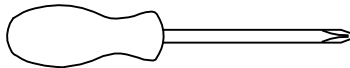
# Part List

<p><b>A</b></p>  <p>Leg HB (Left Front) - 1pc</p>	<p><b>B</b></p>  <p>Leg HB (Left Back) - 1pc</p>	<p><b>C</b></p>  <p>Leg FB (Right Front) - 1pc</p>
<p><b>D</b></p>  <p>Leg FB (Right Back) - 1pc</p>	<p><b>E</b></p>  <p>Upper horizontal bar HB/FB - 2pcs</p>	<p><b>F</b></p>  <p>Frame HB/FB - 2pcs</p>
<p><b>G</b></p>  <p>Lower horizontal bar HB - 1pc</p>	<p><b>H</b></p>  <p>Side rail - 2pcs</p>	<p><b>J</b></p>  <p>Slat - 4pcs</p>
<p><b>J1</b></p>  <p>Slats - 4pcs</p>	<p><b>K</b></p>  <p>Front drawer panel - 4pcs</p>	<p><b>K1</b></p>  <p>Left / right drawer panel - 8pcs</p>
<p><b>K2</b></p>  <p>Back drawer panel - 4pcs</p>	<p><b>K3</b></p>  <p>Drawer bottom - 8pcs</p>	<p><b>L</b></p>  <p>Support drawer - 4pcs</p>
<p><b>M</b></p>  <p>Lower support slat - 1pc</p>	<p><b>N</b></p>  <p>Leg support - 3pcs</p>	

# Hardware List



<b>1</b>  Ø8*30mm Wood dowel (52pcs)	<b>2</b>  (Ø15)1/4"*100mm Hex-Head bolts (8pcs)	<b>3</b>  (Ø15)1/4"*80mm Hex-Head bolts (14pcs)
<b>4</b>  (Ø12)1/4"*60mm Hex-Head bolts (16pcs)	<b>5</b>  (1/4")4.5*100mm Allen key (1pc)	<b>6</b>  1/4"*15 (9.5mm) Horizontal-Hole bolts(38pcs)
<b>7</b>  Ø4*30mm Wood screws (64pcs)	<b>8</b>  70*35*19 mm Drawer stopper (6pcs)	<b>9</b>  Ø10*20mm Wood dowel (16pcs)
<b>10</b>  100*54*20 mm Wheels (16pcs)		

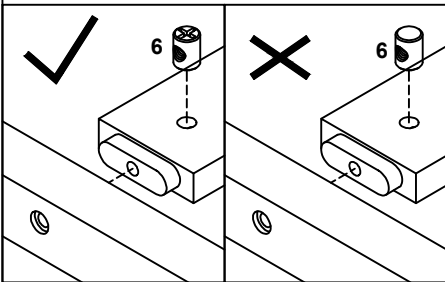
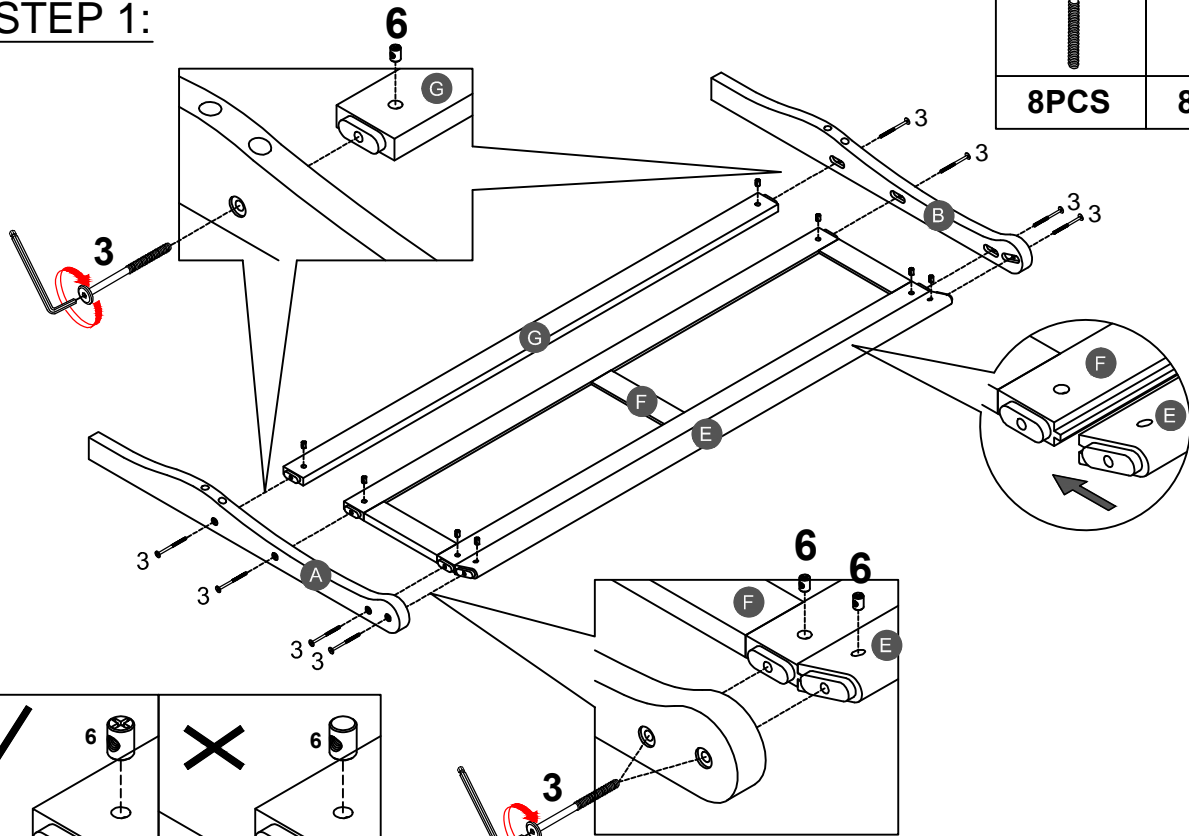
## ASSEMBLY TOOLS REQUIRED ( NOT INCLUDED )



PLEASE BE CAREFUL DO NOT DAMAGE THE HOLE POSITION WHEN YOU USE POWER TOOLS !



**STEP 1:**

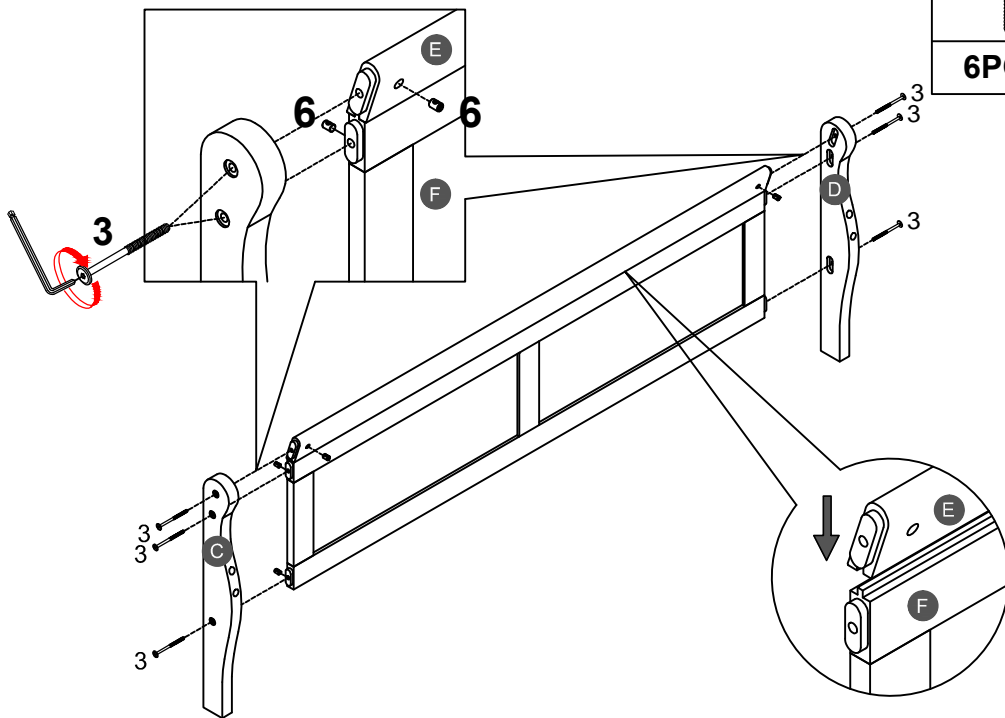
<b>3</b>		<b>6</b>	
<b>8PCS</b>		<b>8PCS</b>	




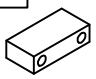
Note: Part 6 will face up with the "x" mark on it, otherwise it cannot be tightened

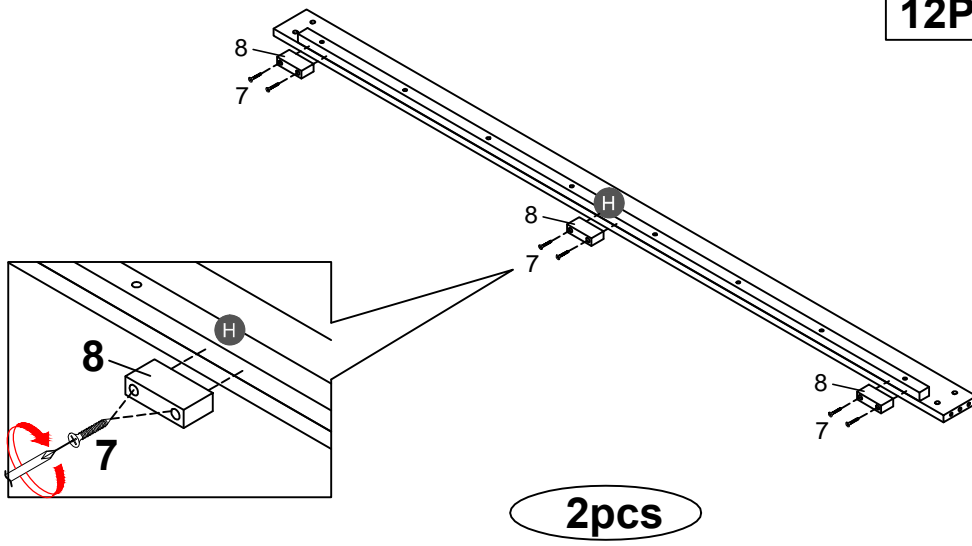
**STEP 2:**

<b>3</b>		<b>6</b>	
<b>6PCS</b>		<b>6PCS</b>	






**STEP 3:**

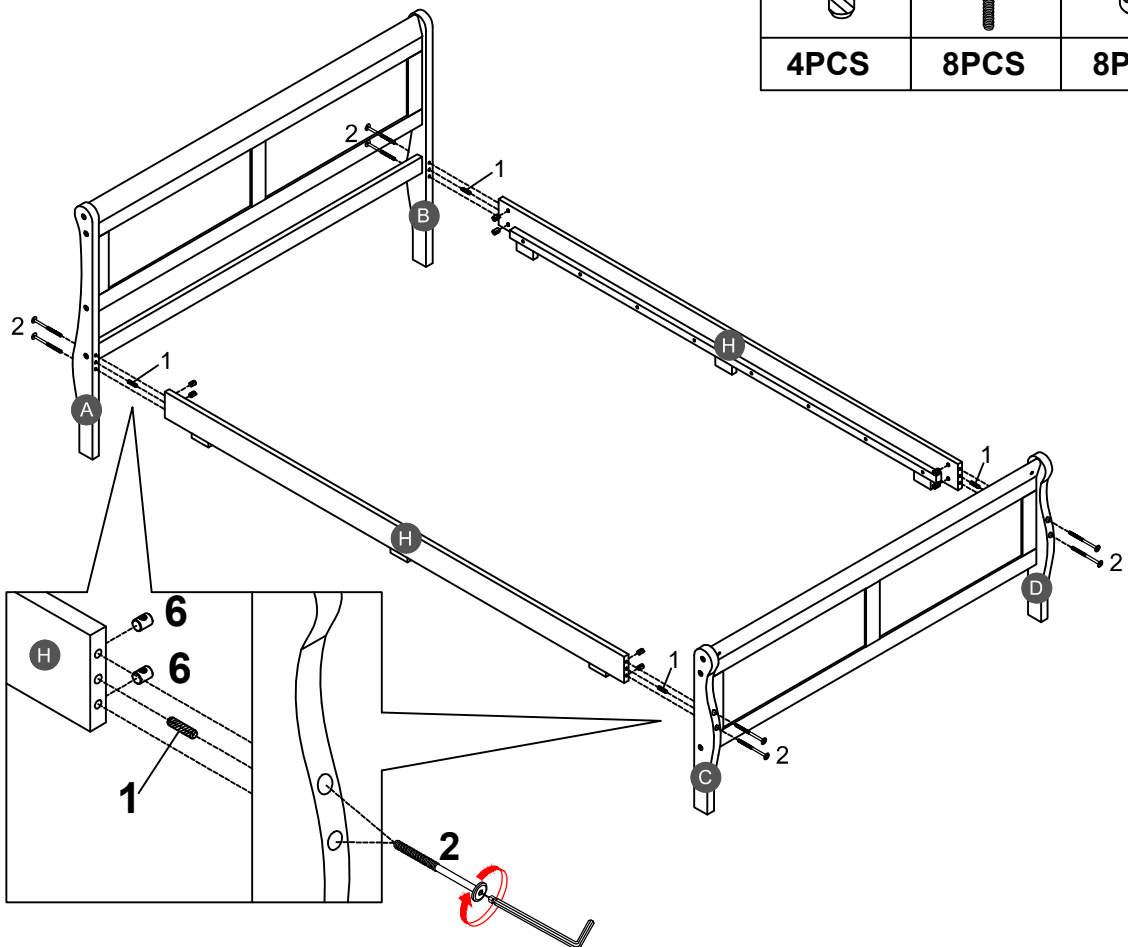
<b>7</b>		<b>8</b>	
<b>12PCS</b>		<b>6PCS</b>	



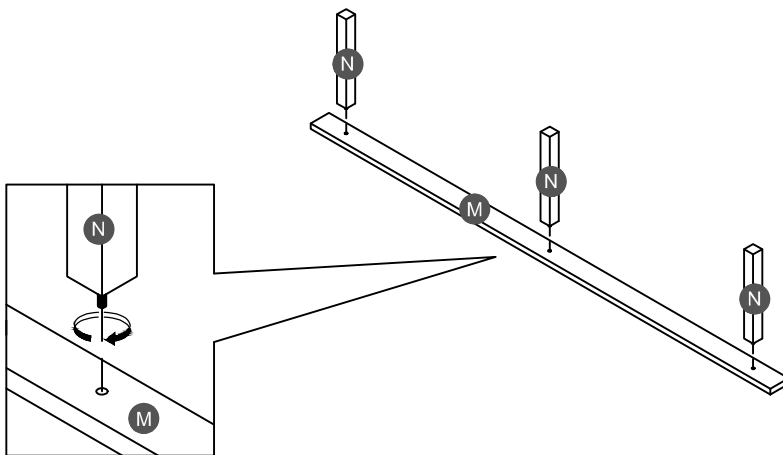
Drawer stopper (8) with lower side rail (H) by using screw (7).

**STEP 4:**

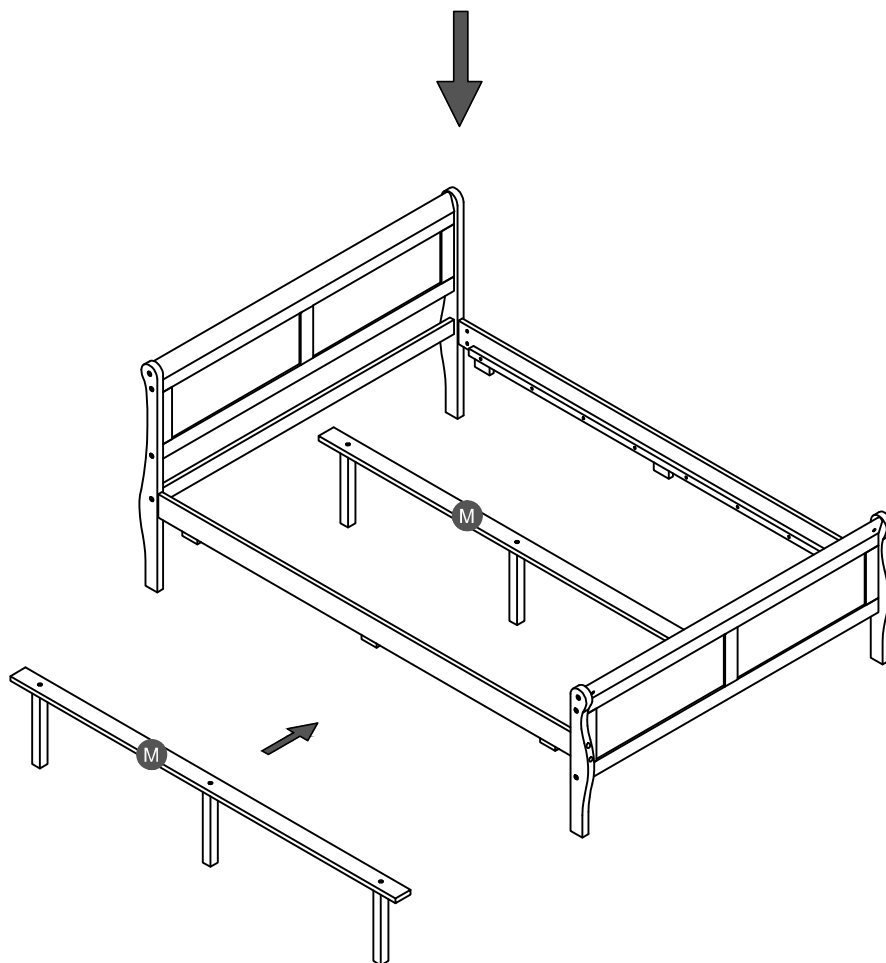
<b>1</b>		<b>2</b>		<b>6</b>	
<b>4PCS</b>		<b>8PCS</b>		<b>8PCS</b>	



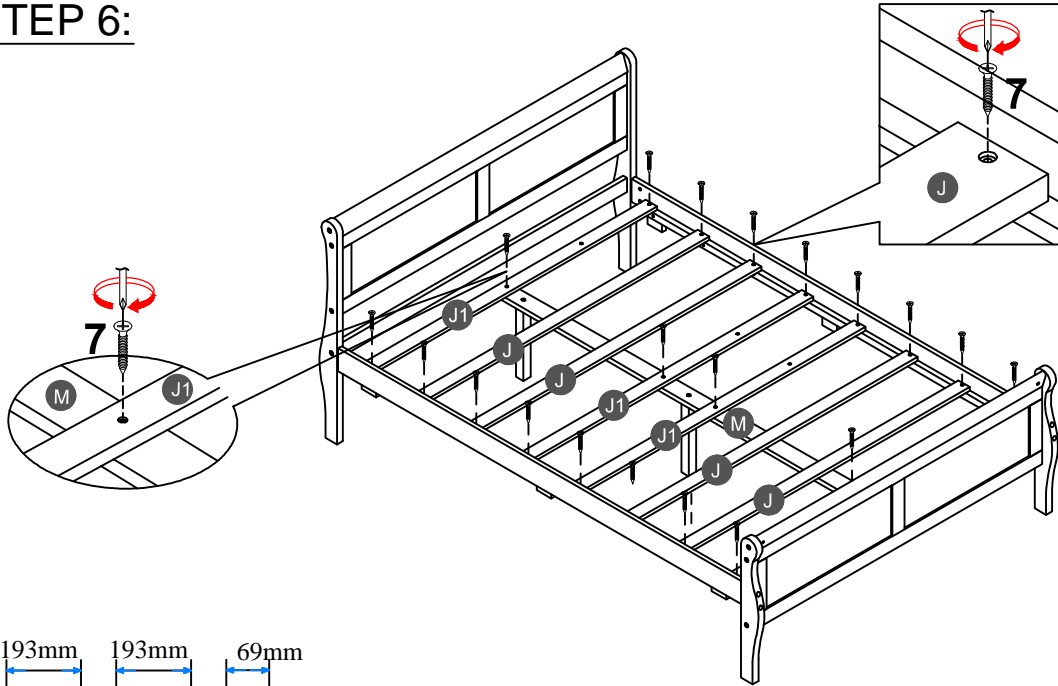
## STEP 5:



Assembling leg support (N) with lower support slat (M) later rotate, Move support slat inside Full bunkbed.



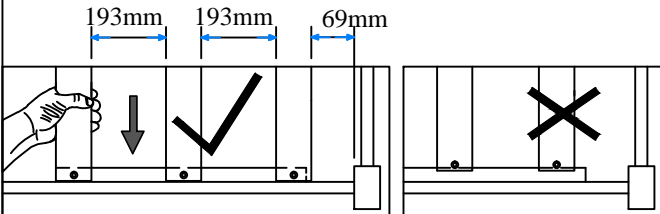
## STEP 6:



7

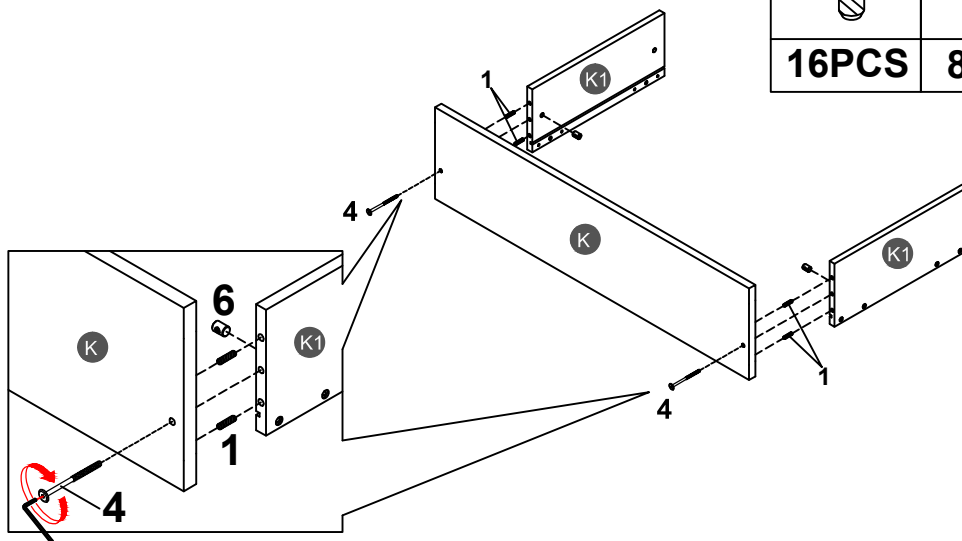


20PCS



Note: Do not lock the screws of the bed slats to the outermost edge of the bed slats, you need to leave a certain space at the edges, otherwise it will cause the board to break. Do not lock the bed slats on the edge of the wood, please hold firmly before screwing, hold it in place with one hand, then lock the screw.

## STEP 7:



1



16PCS

4



8PCS




6

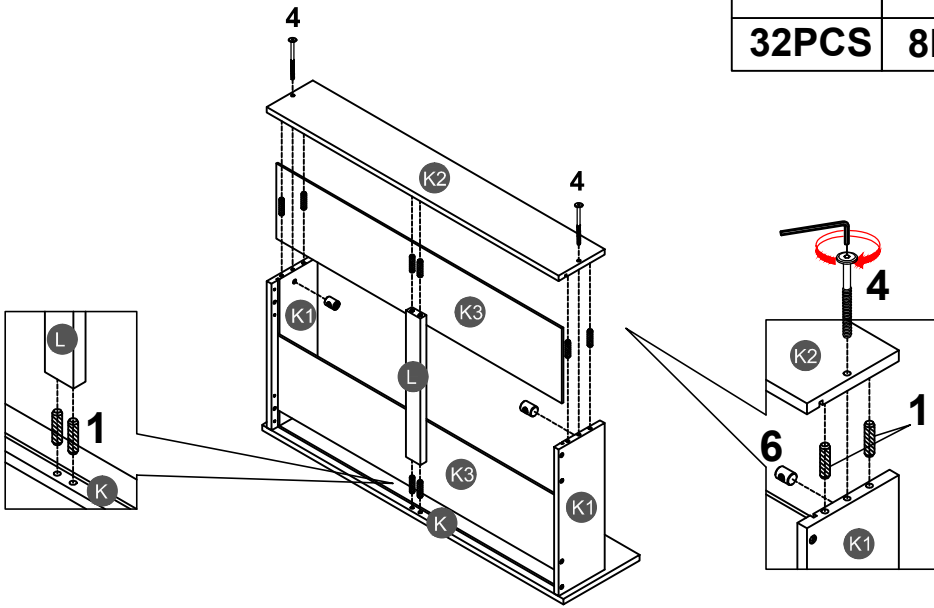


8PCS

4pcs



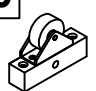
**STEP 8:**

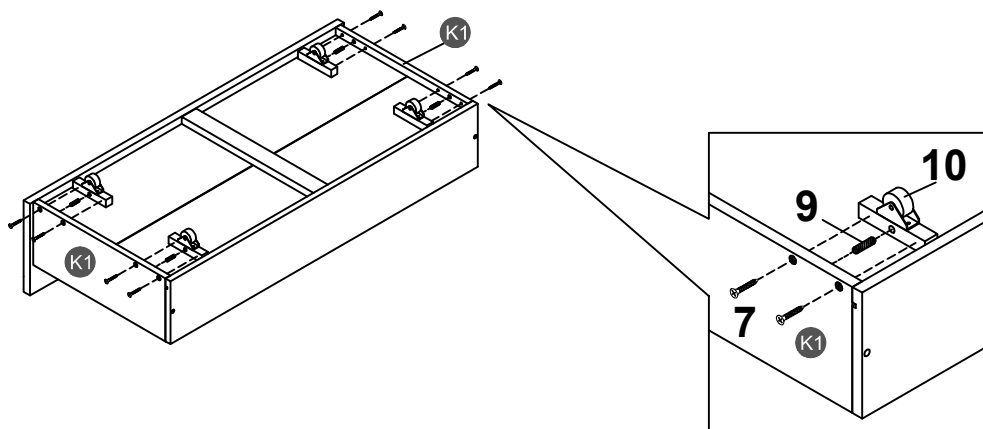
<b>1</b> 	<b>4</b> 	<b>6</b> 
<b>32PCS</b>	<b>8PCS</b>	<b>8PCS</b>



**4pcs**

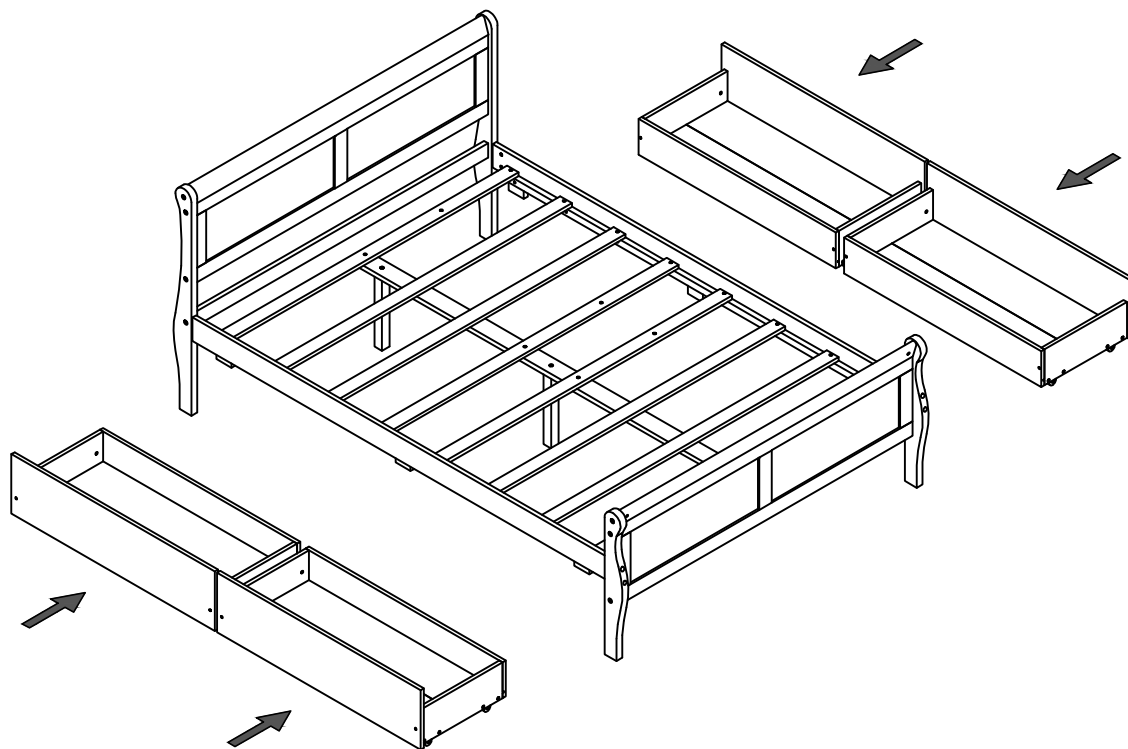
**STEP 9:**

<b>7</b> 	<b>9</b> 	<b>10</b> 
<b>32PCS</b>	<b>16PCS</b>	<b>16PCS</b>

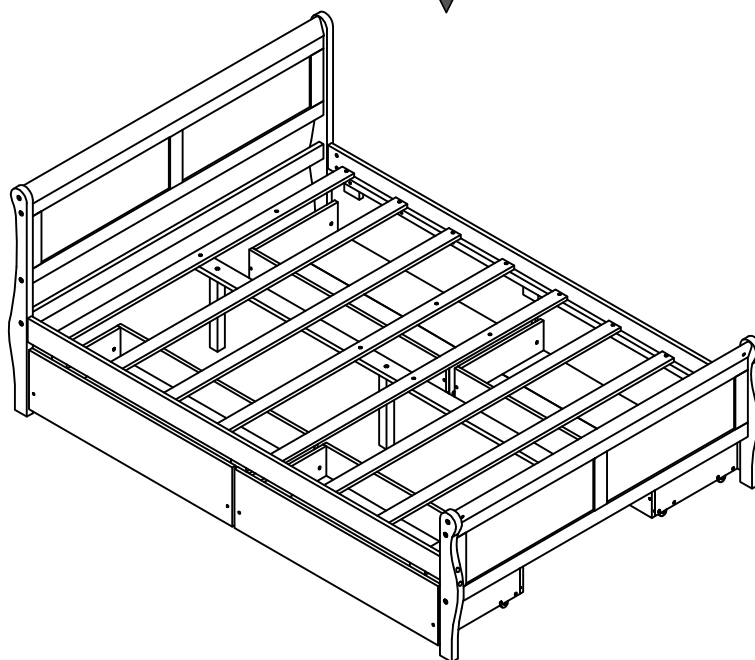


**4pcs**

**STEP 10:**



Push Drawer under the bottom of Bunk bed.



**Make sure to tighten all the screws of the bed.**