





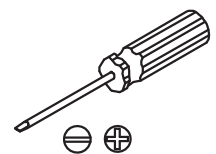
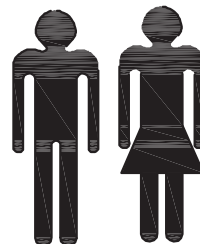
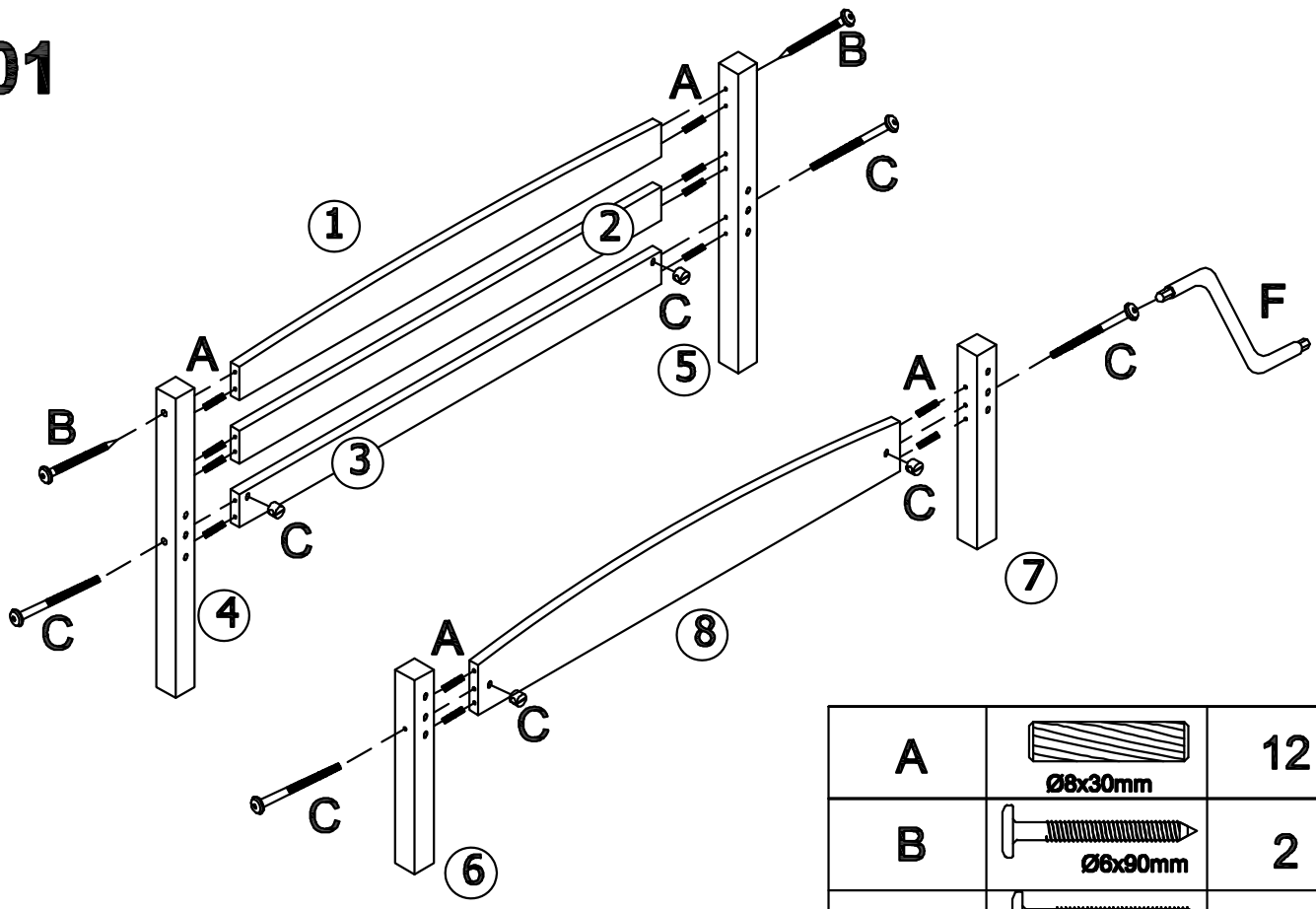






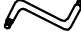
A	 Ø8x30mm	16
B	 Ø6x90mm	2
C	 Ø6x80mm M6	12
D	 Ø6x25mm	8

E	 Ø3.5x30mm	62
F		1

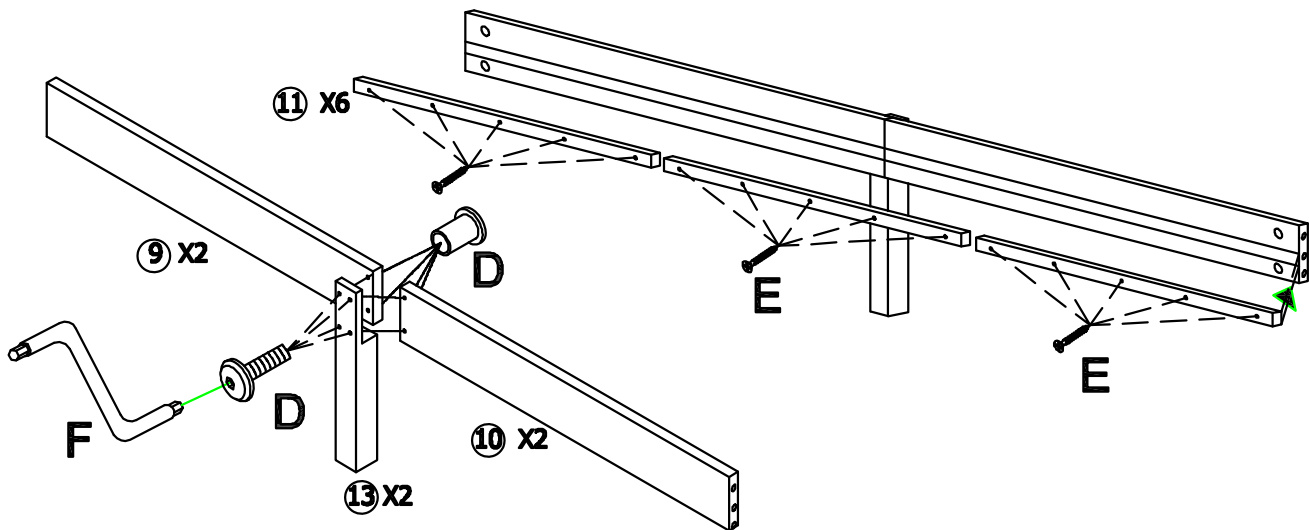






01



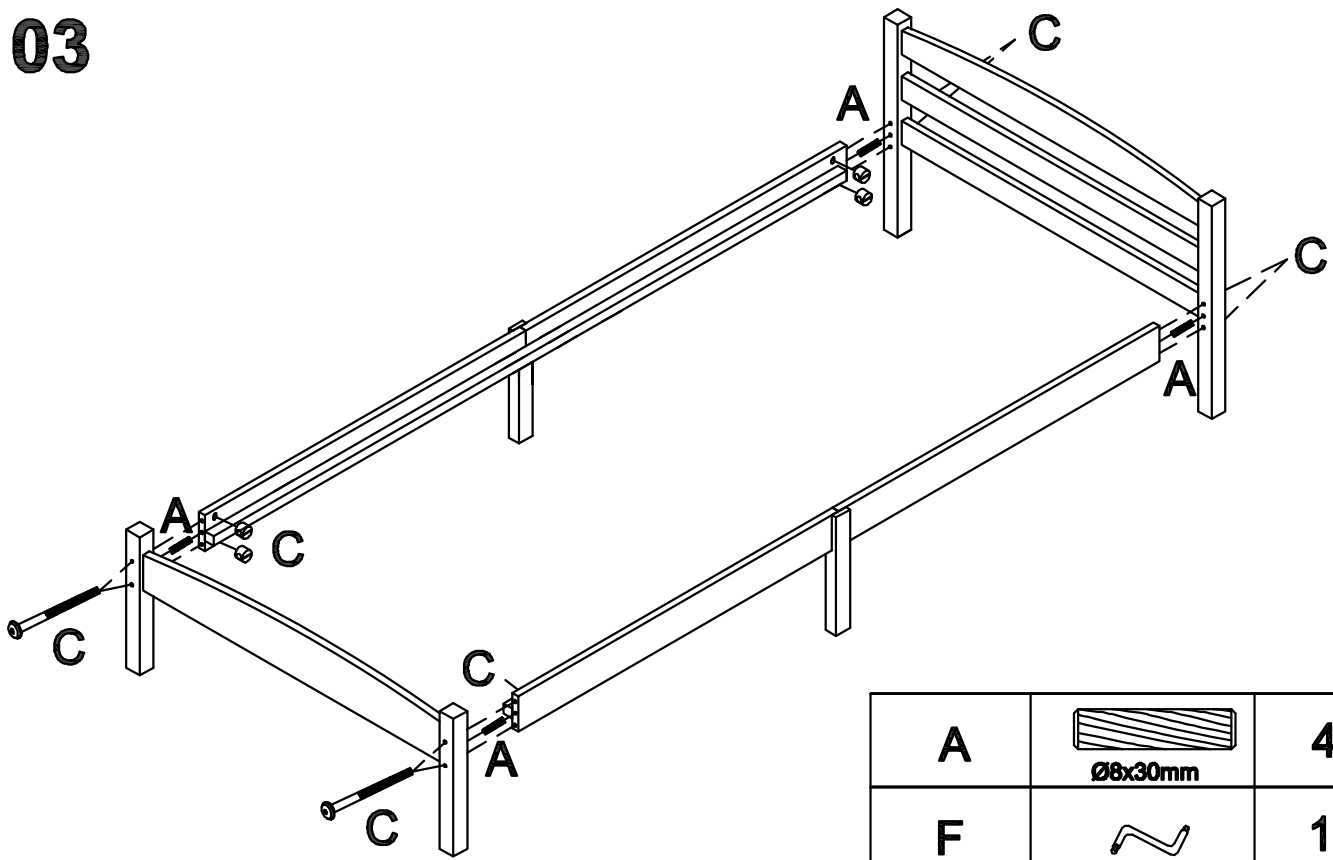
A	 Ø8x30mm	12
B	 Ø6x90mm	2
C	 Ø6x80mm  M6	4
F		1





02



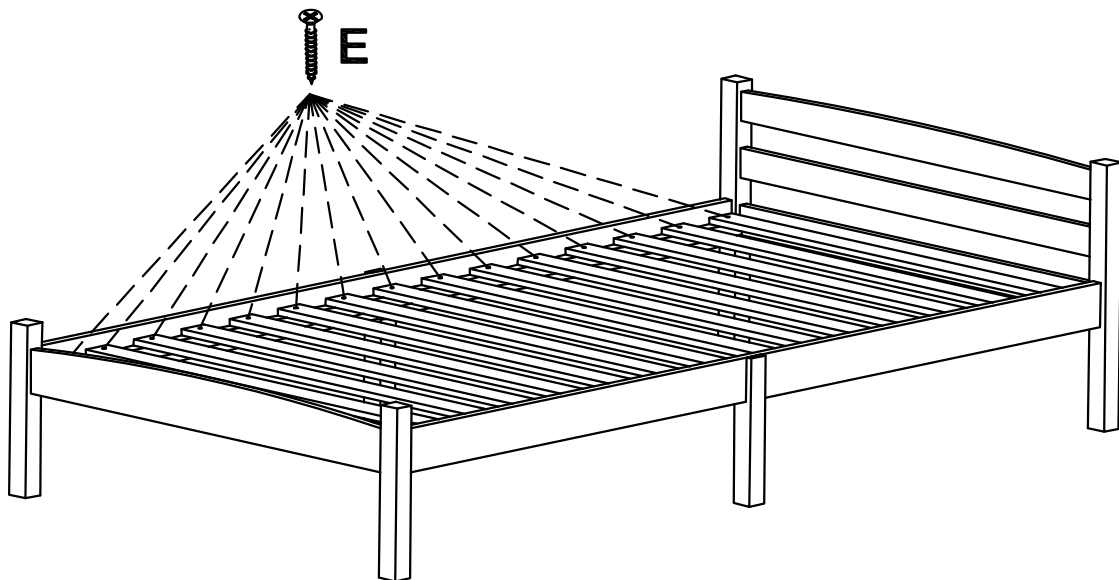
D	 	8
E	 Ø3.5x30mm	30
F		1


03



A	 Ø8x30mm	4
F		1
C	 Ø6x80mm  M6	8

04



E	 Ø3.5x30mm	32
---	--	----