
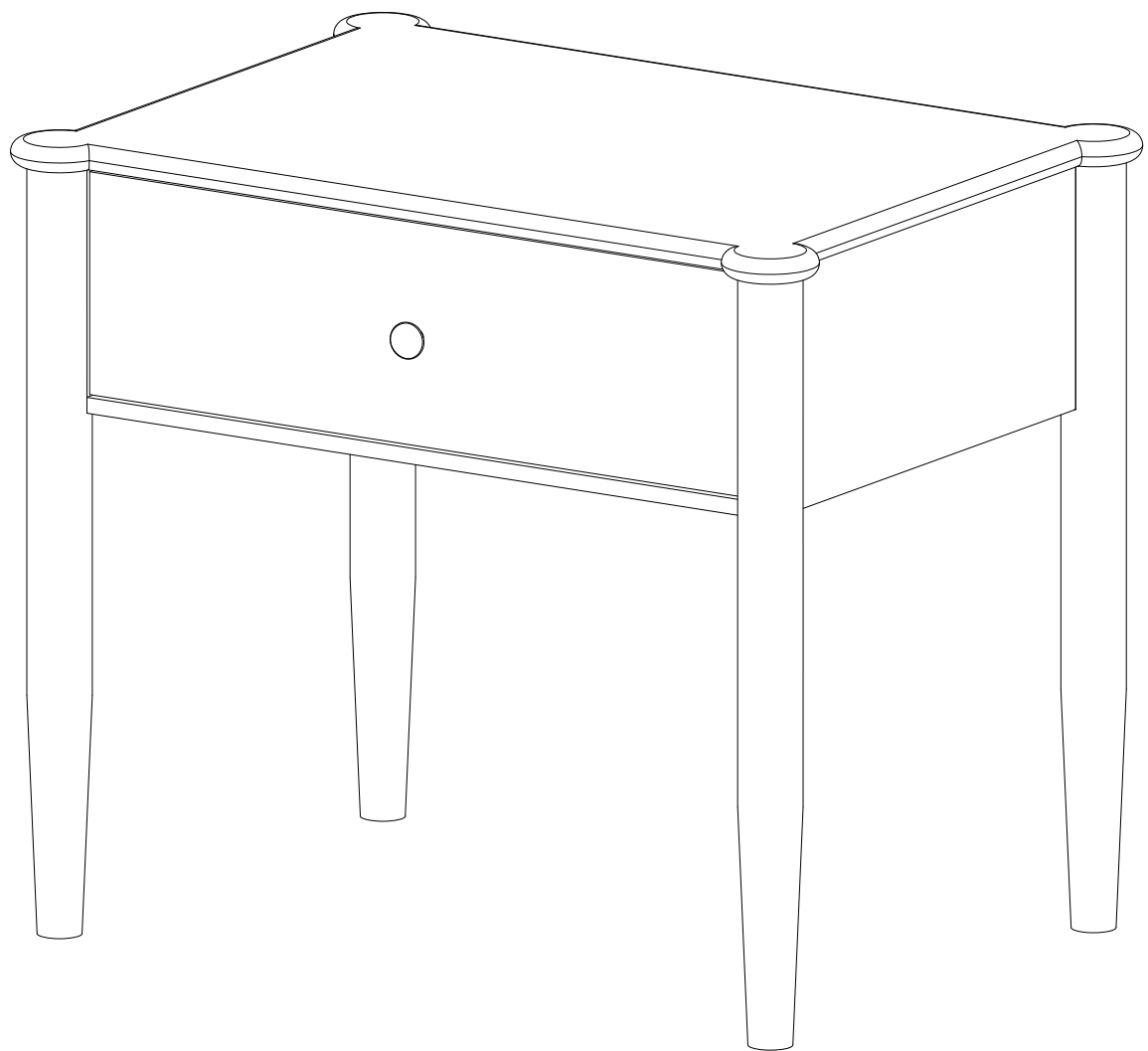


ASSEMBLY INSTRUCTION FOR

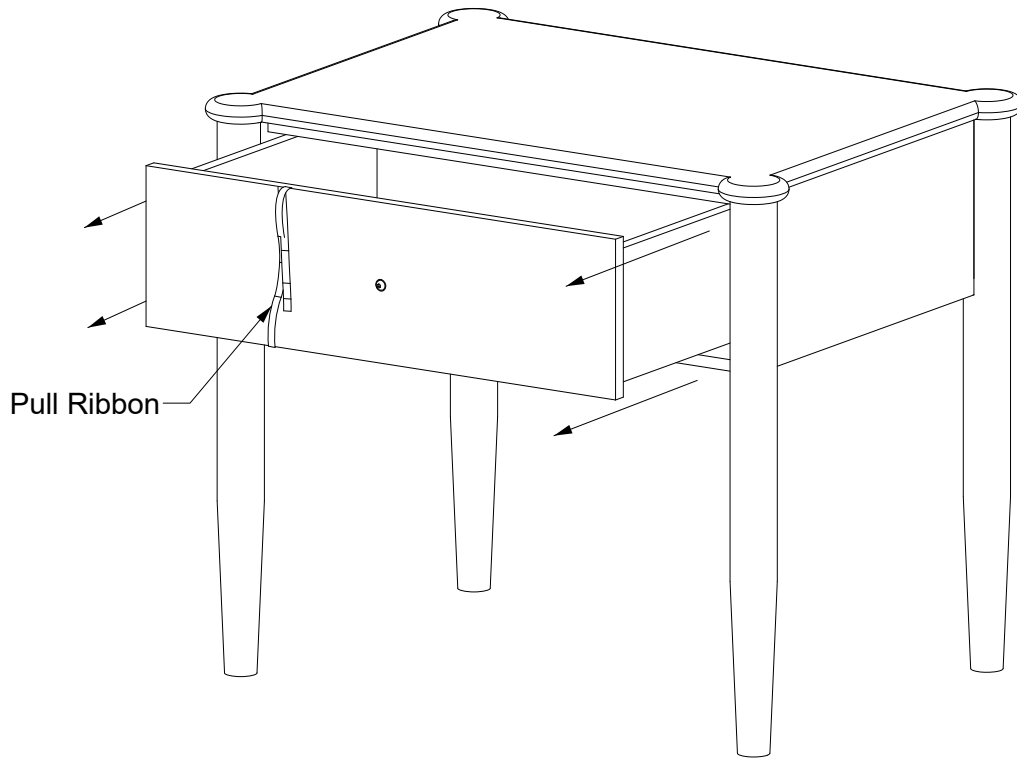
JOAH NIGHTSTAND

HARDWARE LIST:-

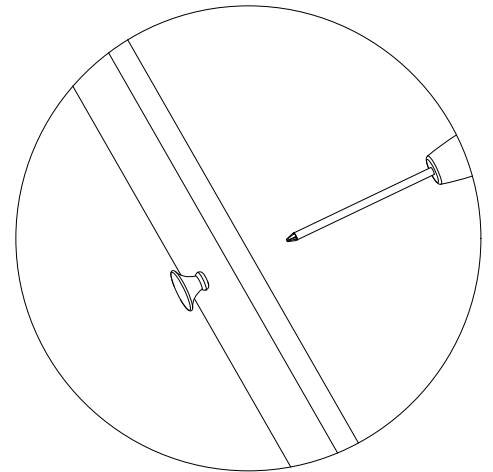
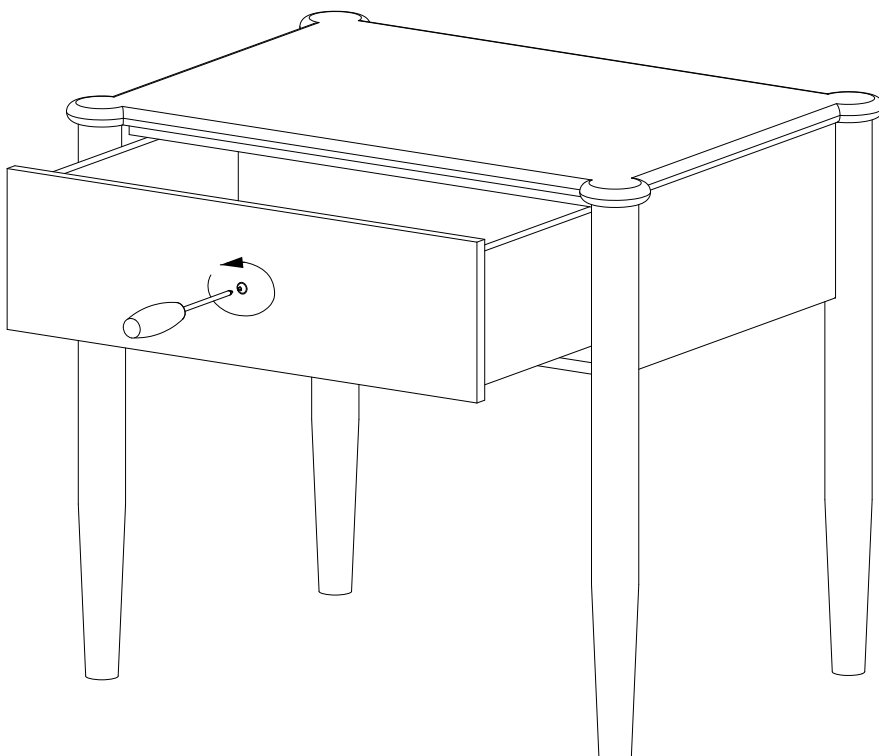
A		Phillips Screw Driver (Not Included)	1
---	--	---	---



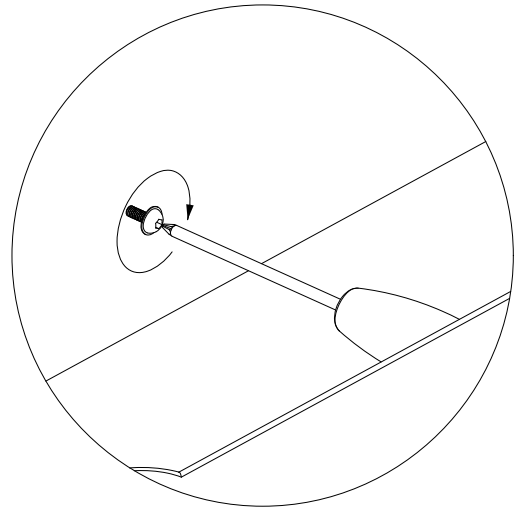
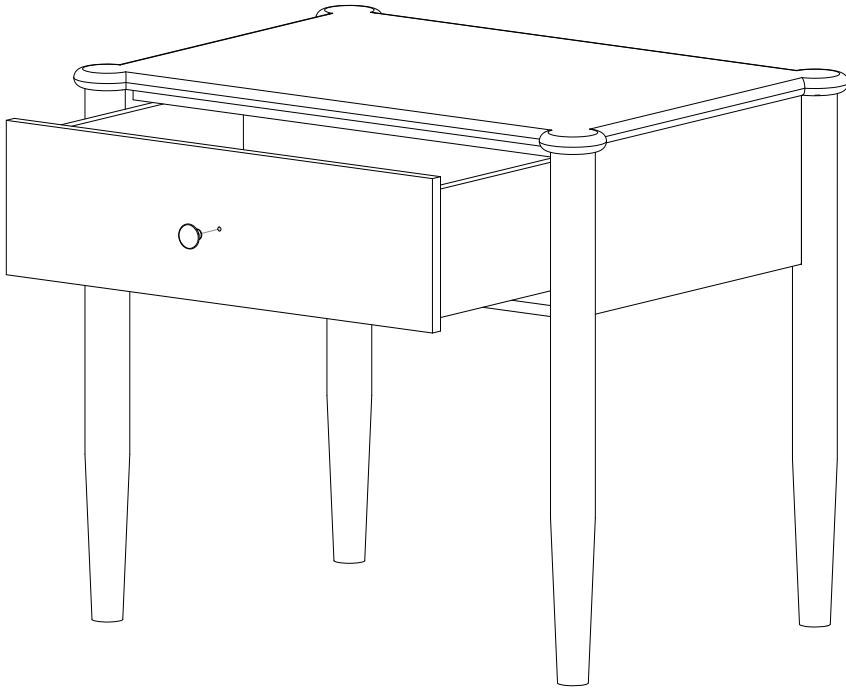
Step 1



Step 2

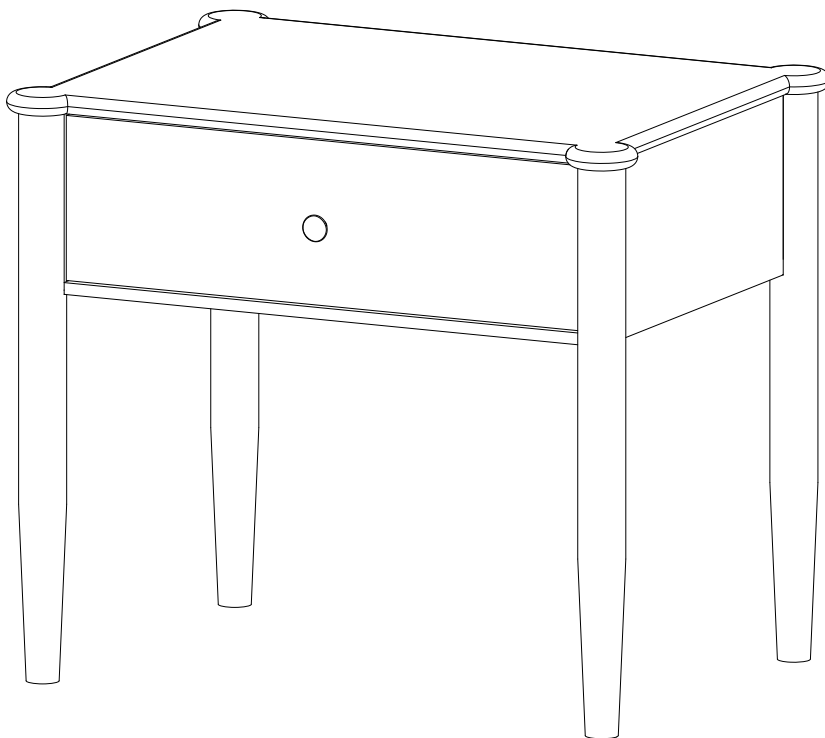


Step 3



CAUTION : PLEASE DO NOT OVER TIGHTEN BOLTS / SCREW.

Finish



ADJUSTING FLOOR LEVELERS

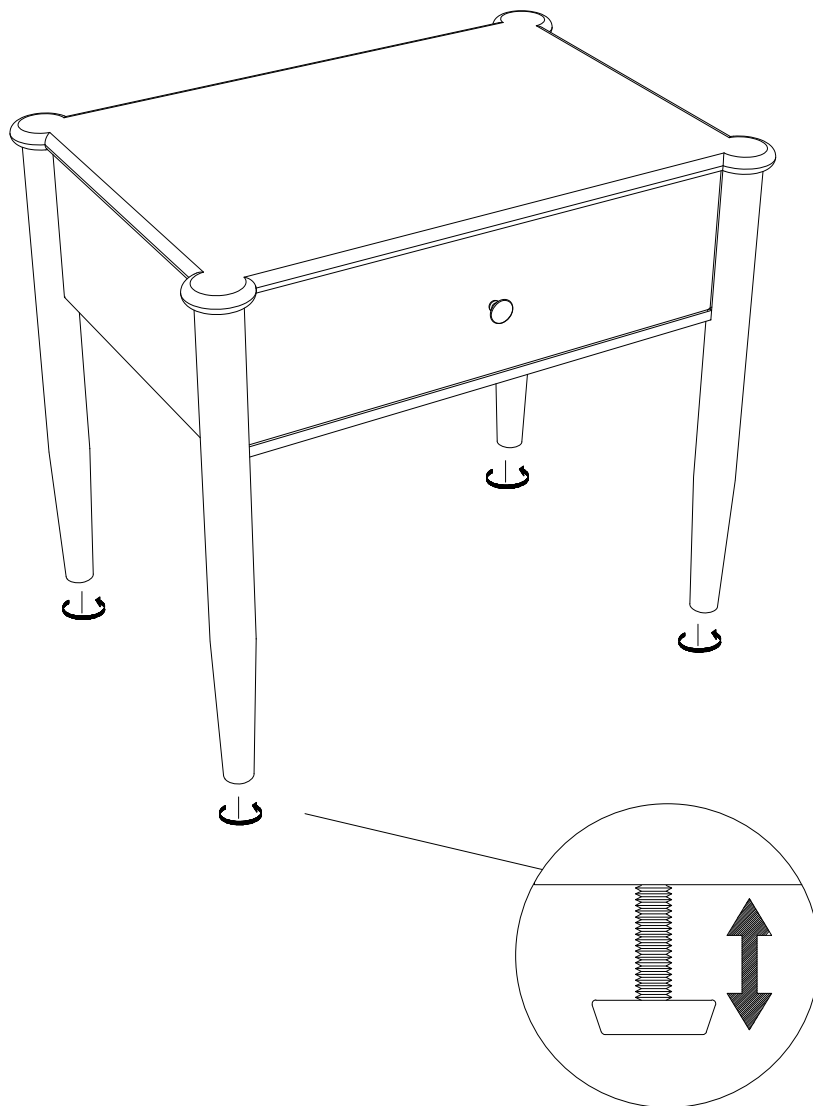
JOAH NIGHTSTAND

Step 1: Adjust the Floor Levelers

Check for Stability – Place the furniture in its final position on a level surface. If it wobbles or doesn't sit evenly, the floor levelers need adjusting.

Locate the Levelers – These are small adjustable feet found at the bottom corners of your furniture.

Adjust as Needed – Using your hand or a wrench, turn the levelers clockwise to raise or counterclockwise to lower the furniture. Make small adjustments and check stability after each turn.



Adjustable Leveler