

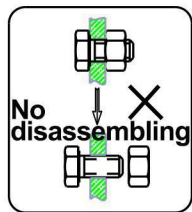
# User's Manual





# INSTALLATION STEPS

This product has been inspected and debugged by the factory to the best condition. Please do not disassemble and assemble it yourself.

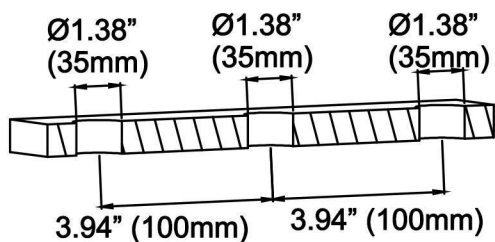


Before installing the product, please be sure to remove sundries and sludge from the water pipe to prevent sundries from blocking the product.

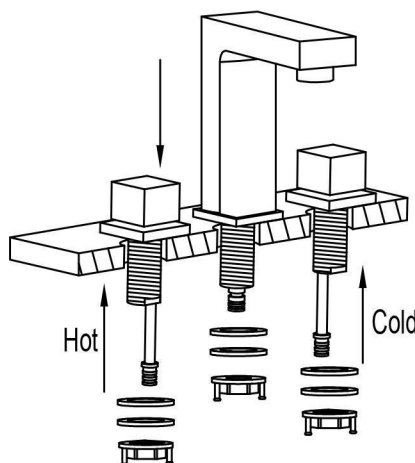


► **Note:** 1 to 3 mm clearance is required between the handle and the decorative cover to avoid friction.

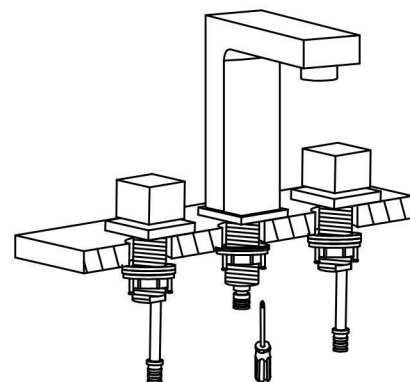
1. Three Holes Faucet  
Hole: 1.38", Distance: 3.94"



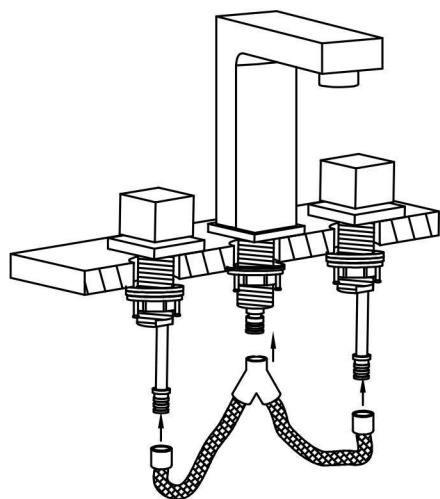
2. Despatch the parts.



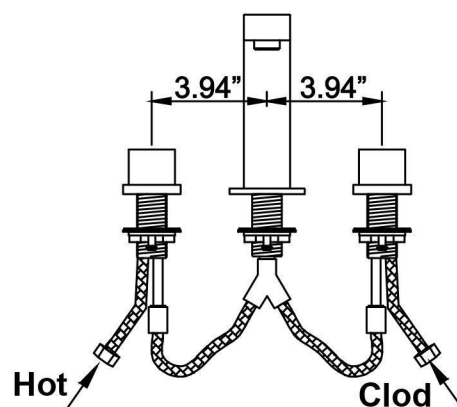
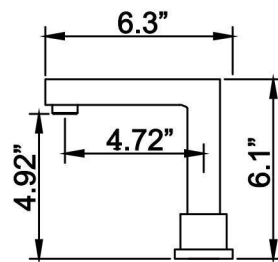
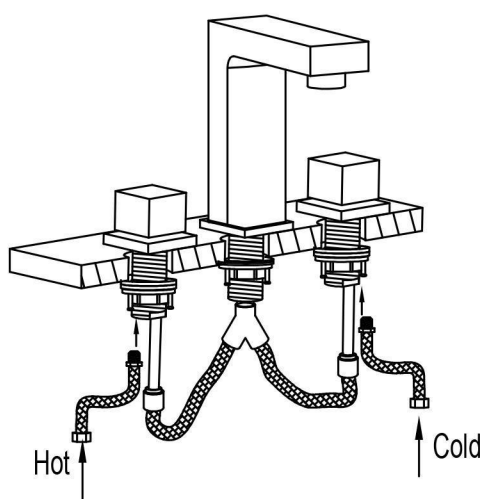
3. Fixed on the counter and screw it.



4. Connect the pipe of spout and two handles.



5. Then fit the hot/ cold water supply.



## CLEANING CARE

In order to keep the appearance of product clean, bright and good performance, please take care of the product as follows;

1. Rinse with water only and dry with soft cotton cloth;
2. Use mild liquid and colorless glass cleaner to remove surface dirt and scale film, or use polish without abrasive effect;
3. Do not use abrasive detergent, polish, emery cloth, paper towel or scraper, etc;
4. Do not use acid cleaner, or cleaner and soap with insoluble gran etc;
5. In the process of use, mud may accumulate in the bubbler and make the water flow show, The bubbler can be unscrewed, rinsed with water, and then installed back in place.



