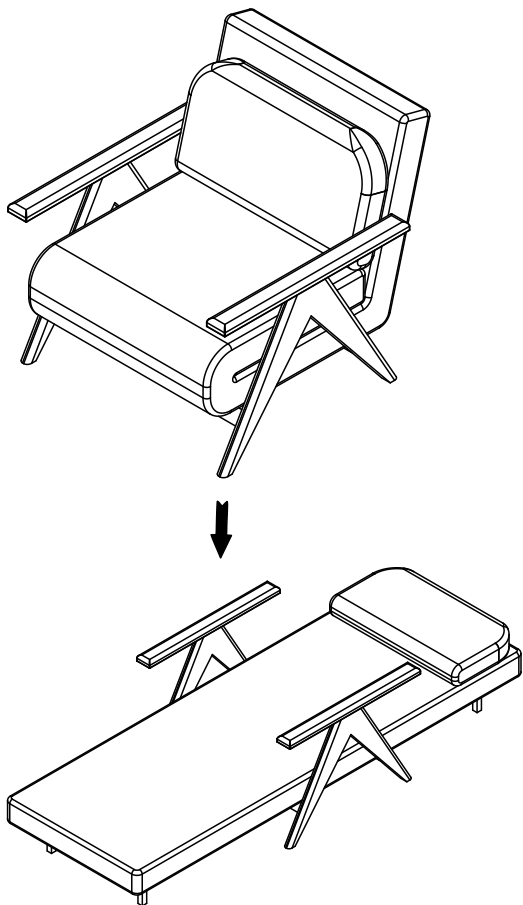
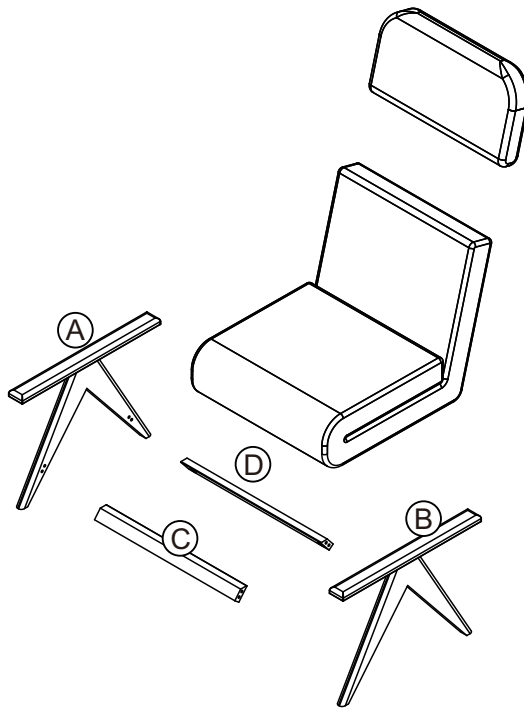


INSTALLATION DRAWINGS

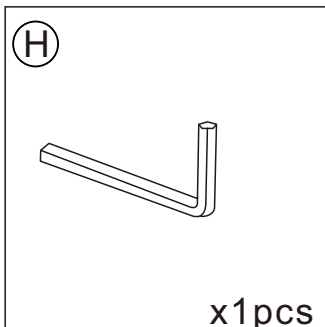
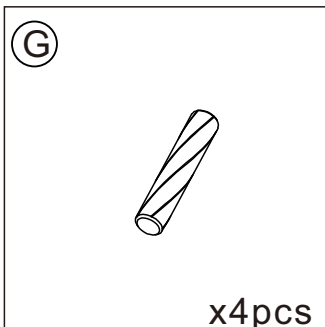
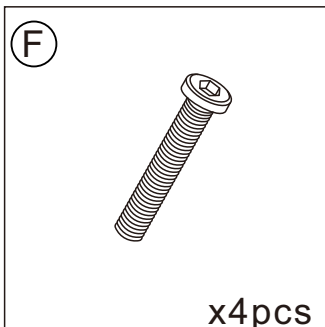
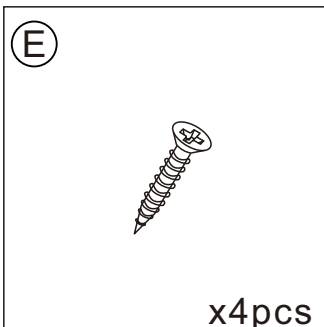
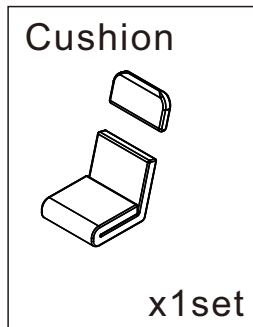
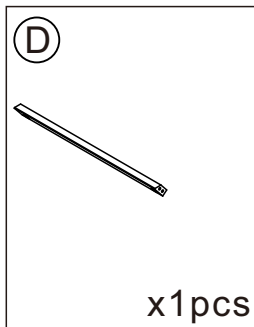
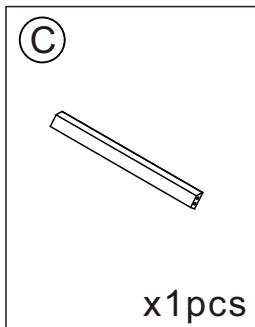
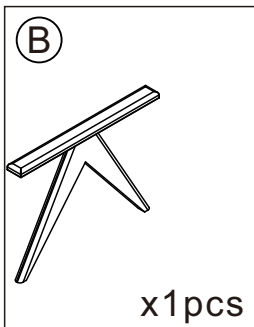
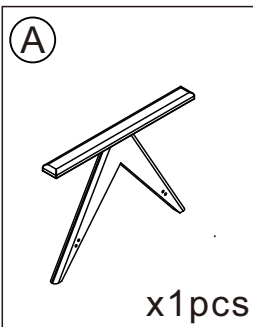
Product



Parts List

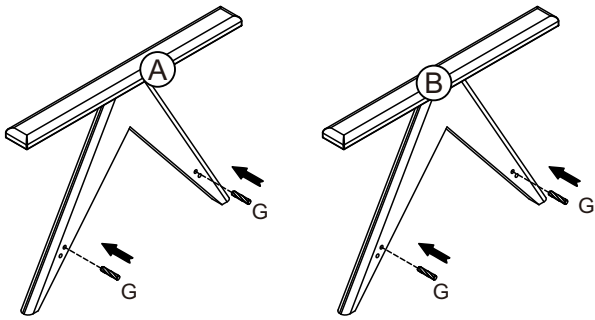


Accessories List

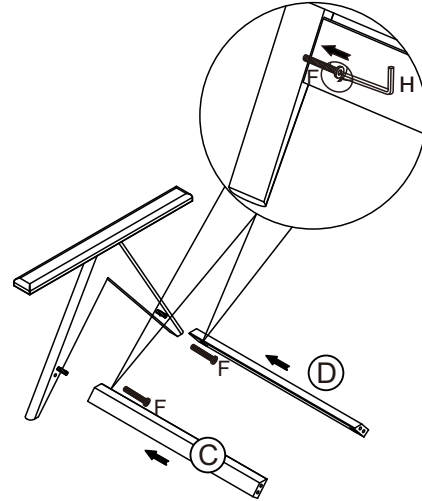


INSTALLATION STEPS

Step 1

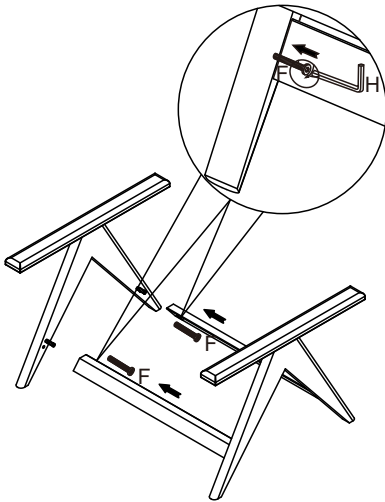


Insert Part C into the top holes of Armrests A and B.



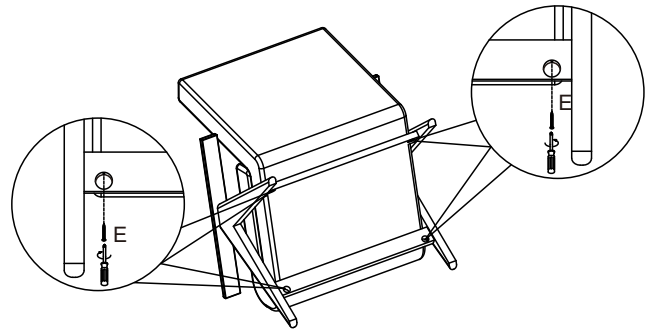
Connect Wooden Boards C and D to Armrests A and B. (Note: If they don't fit together completely, firmly tap the armrests to ensure they align properly.)

Step 3



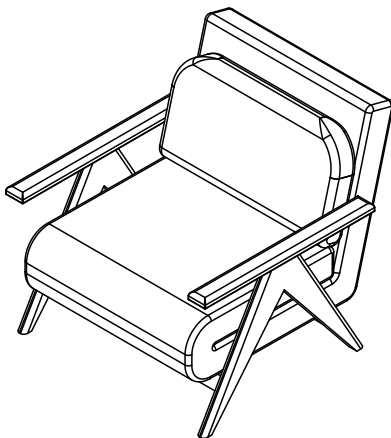
Secure Part F onto Wooden Boards C and D. (Note: Use the shorter end of Part H to tighten the screws clockwise with firm pressure.)

Step 4



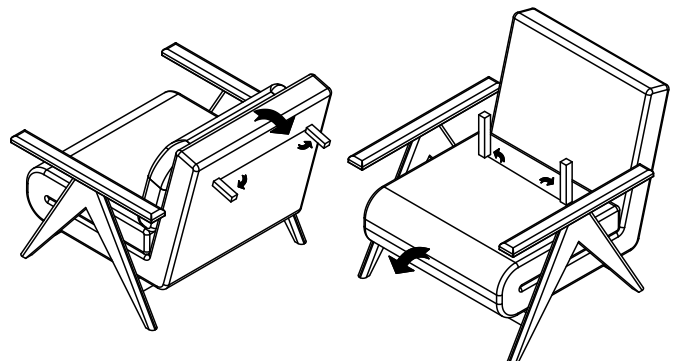
Place the cushion onto the seat frame and tilt it down 90°. Insert Part E into the small holes at the top of Wooden Boards C and D, and tighten with a screwdriver to connect the cushion to the seat frame.

Step 5



Complete.

Step 6



The zipper on the backrest can be opened to reveal the hidden chair legs. Lower them to lay the backrest flat.