


















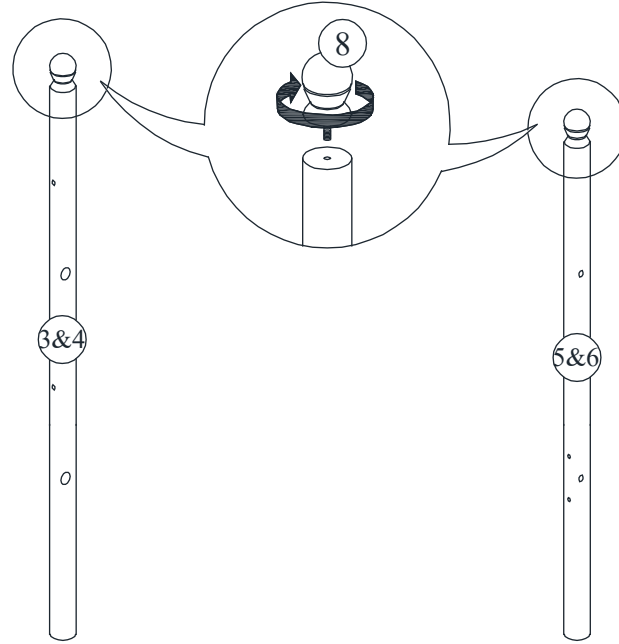


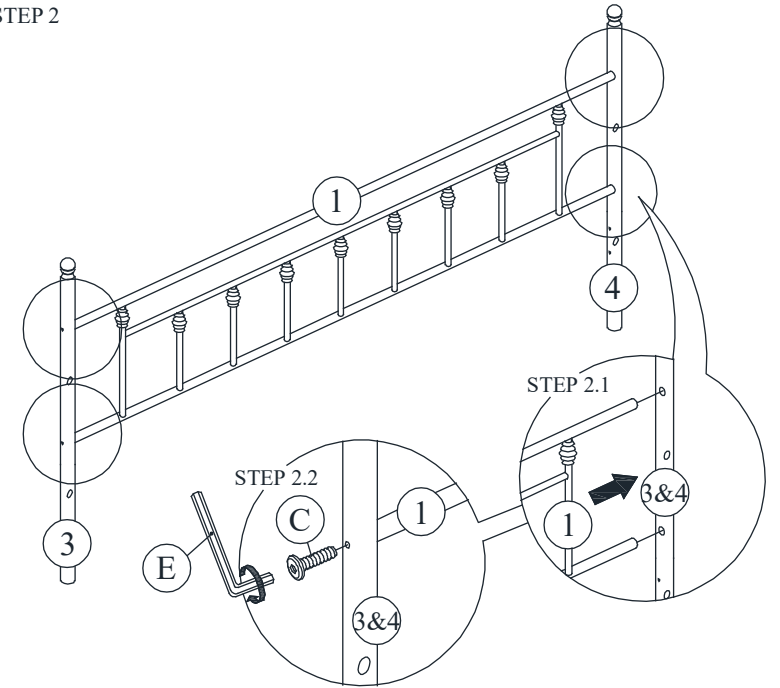
# ASSEMBLY INSTRUCTION

NO	PARTLIST	QTY
1	 BACK PANEL 1PC	1PC
2	 SIDE PANEL L&R 2PCS	2PCS
3	 LEFT LEG (LONG) 1PC	1PC
4	 RIGHT LEG (LONG) 1PC	1PC
5	 LEFT LEG (SHORT) 1PC	1PC
6	 RIGHT LEG (SHORT) 1PC	1PC
7	 SIDE RAIL 2PCS	2PCS
8	 FINIALS 4PCS	4PCS
9	 SLAT 4SETS	4SETS
10	 TRUNDLE FRONT & BACK RAIL 2PCS	2PCS
11	 TRUNDLE SIDE RAIL 2PCS	2PCS
12	 CASTER 4PCS	4PCS
ITEM	HARDWARE	QTY
A	 JCBB SCREW M8 x 20MM 8PCS	8PCS
B	 JCBC SCREW M6 x 16MM 8PCS	8PCS
C	 JCBC SCREW M6 x 25MM 12PCS	12PCS
D	 SCREW M4 x 32MM 16PCS	16PCS
E	 L - KEY M4 x 65MM 1PC	1PC
F	 L - KEY M5 x 65MM 1PC	1PC
G	 SPANNER 10" 1PC	1PC

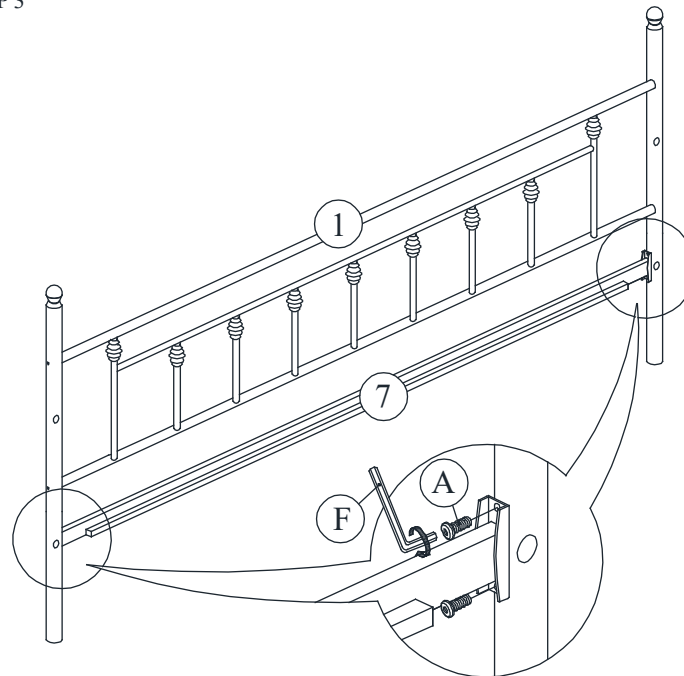
STEP 1



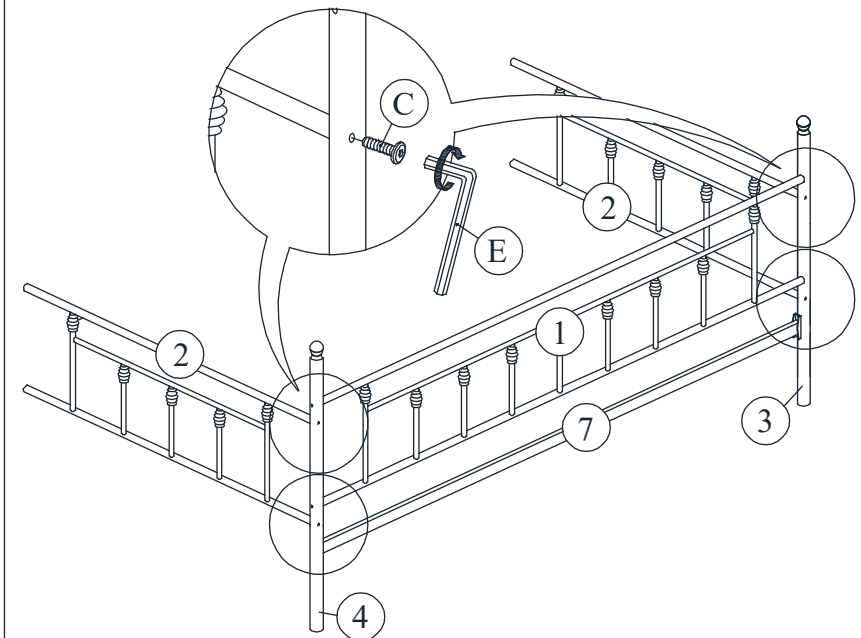
STEP 2



STEP 3

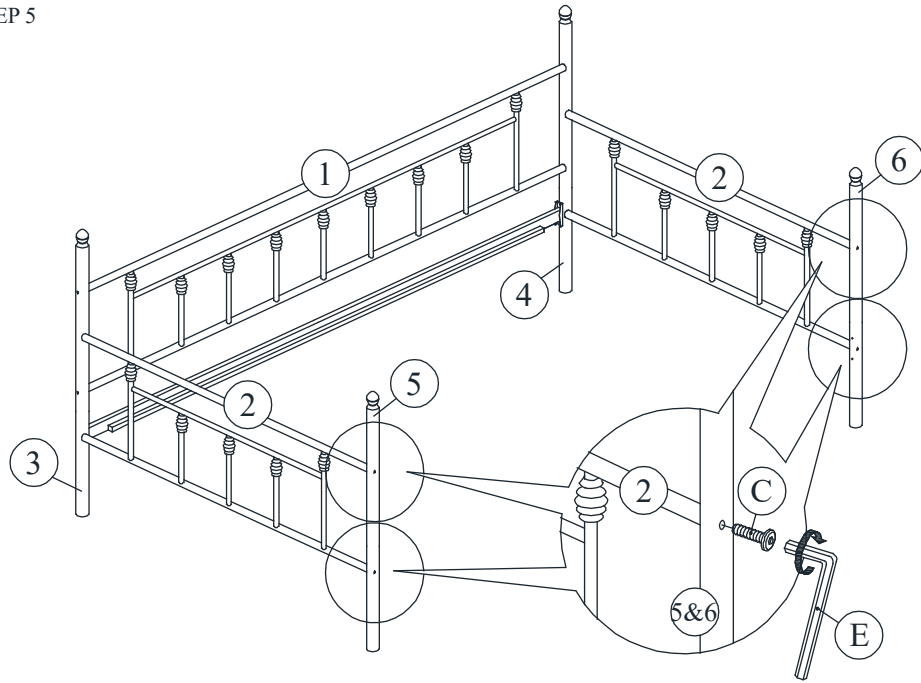


STEP 4

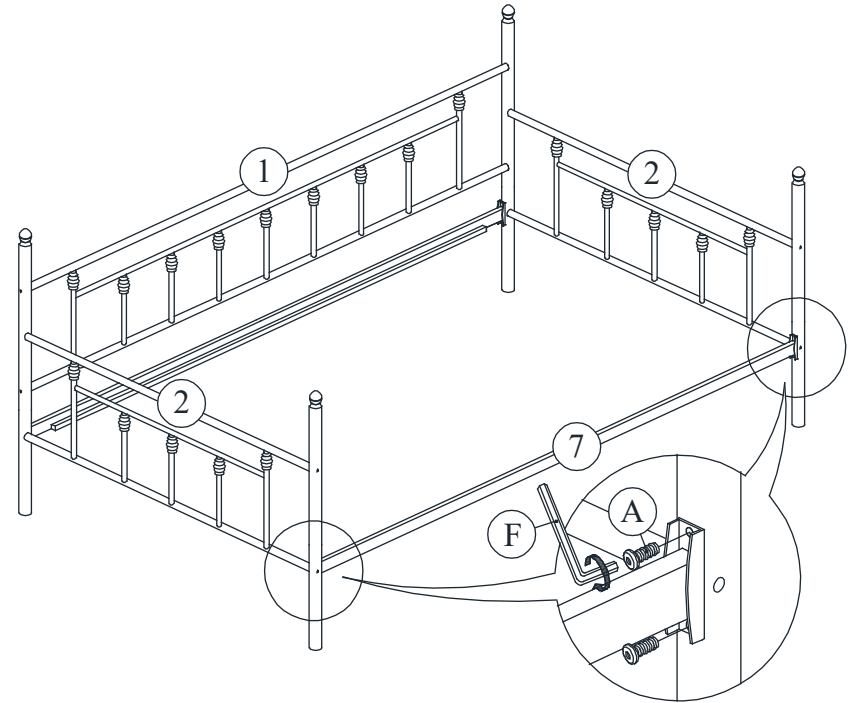


# ASSEMBLY INSTRUCTION

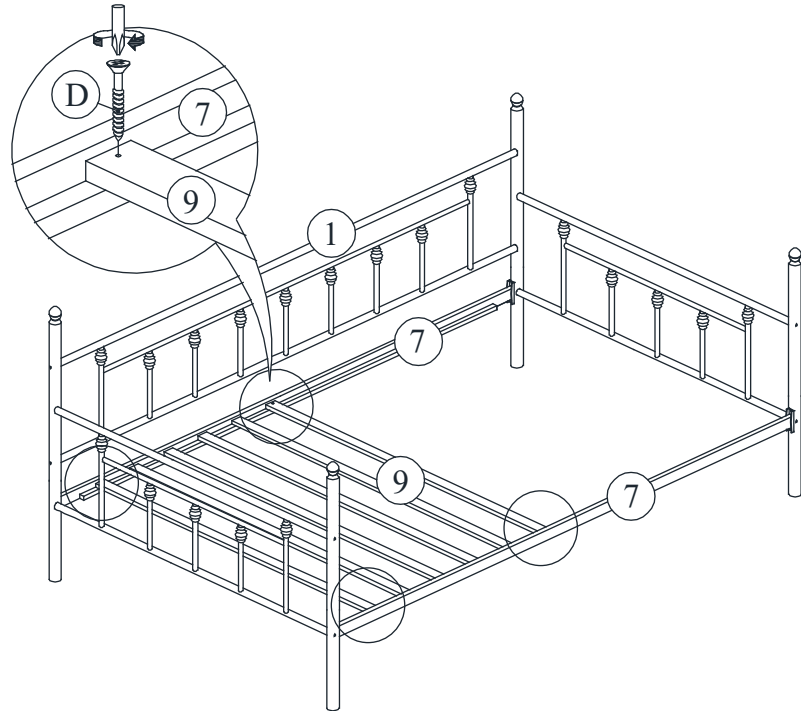
STEP 5



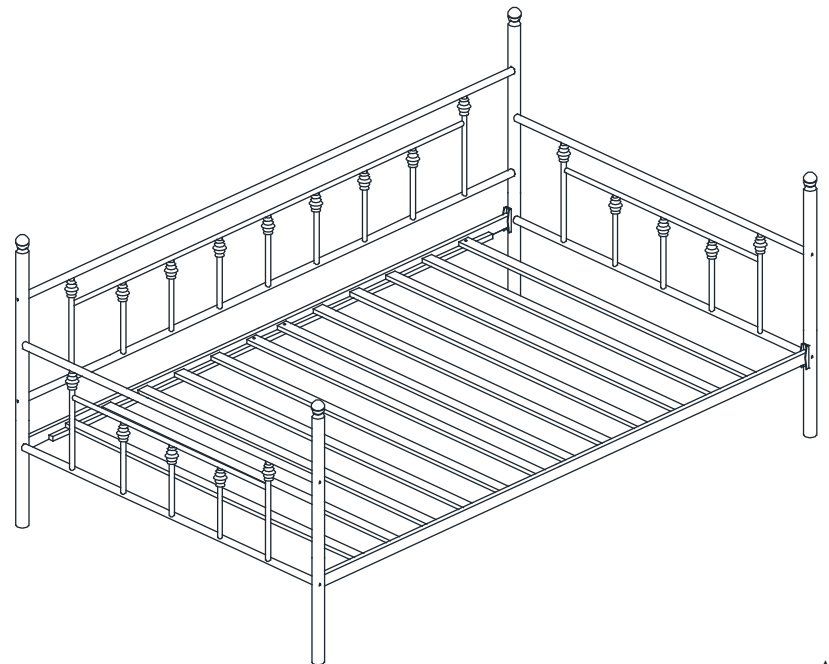
STEP 6



STEP 7



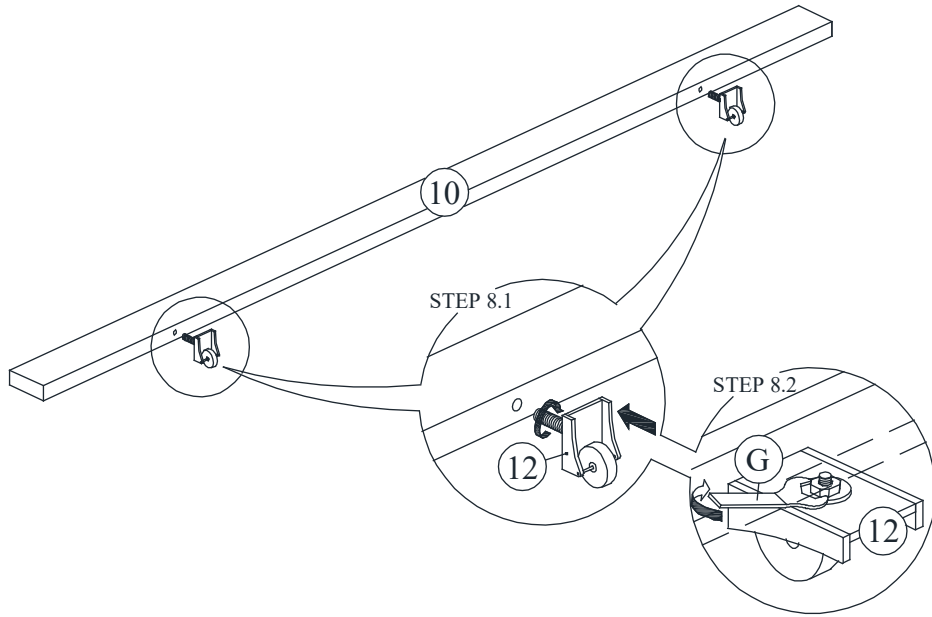
STEP 8



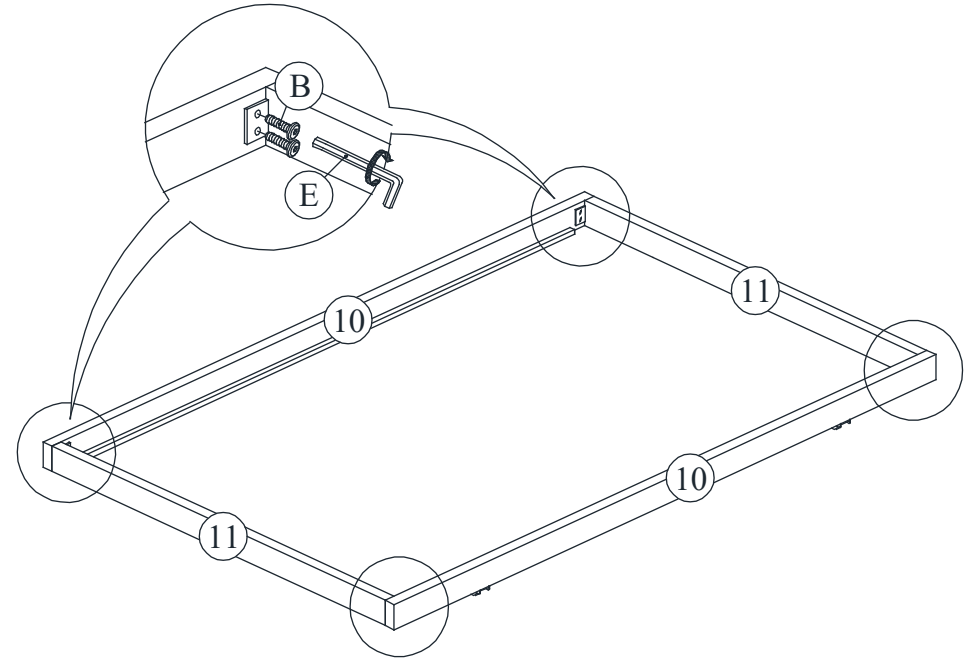
ASSEMBLY  
COMPLETED

# ASSEMBLY INSTRUCTION

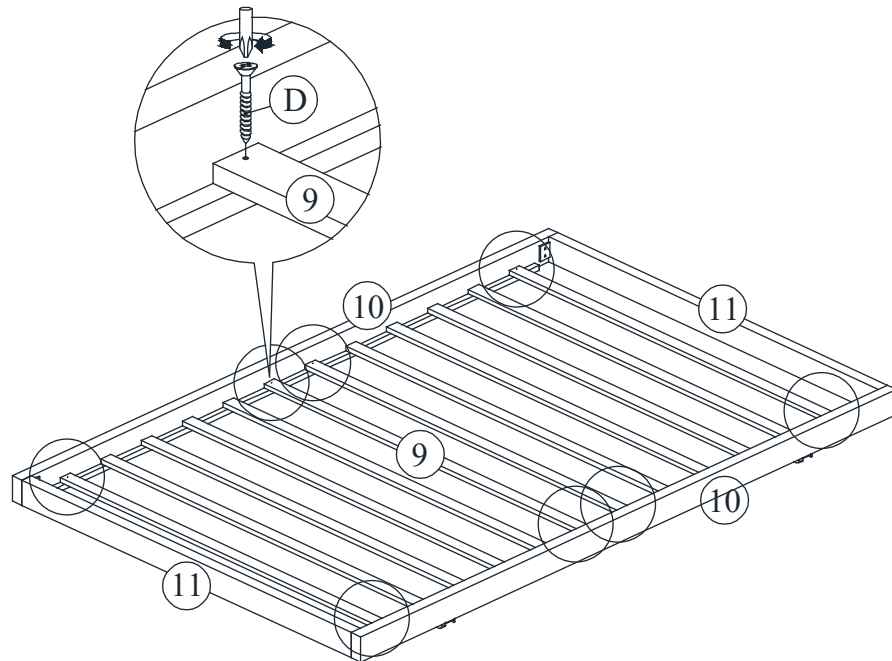
STEP 9



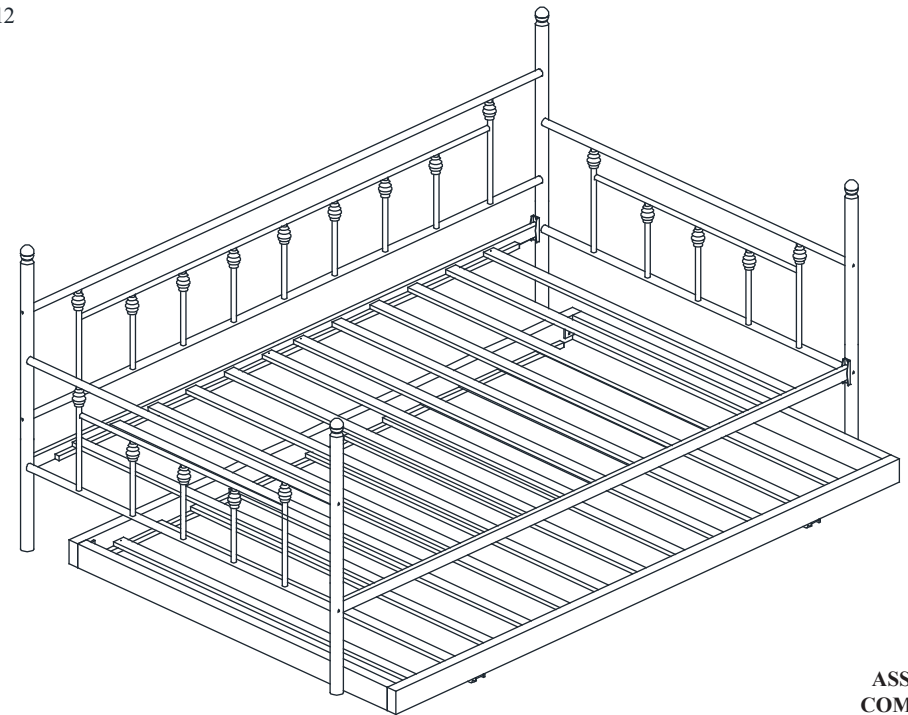
STEP 10



STEP 11



STEP 12



ASSEMBLY  
COMPLETED