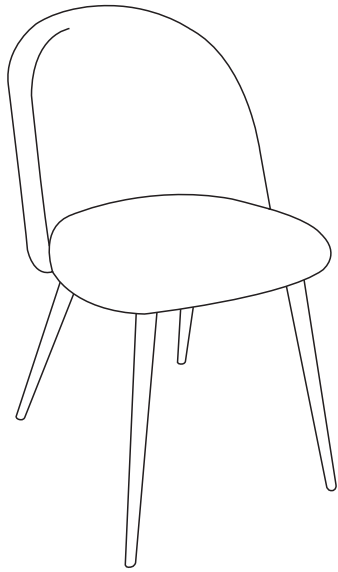

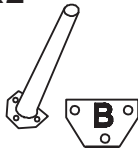
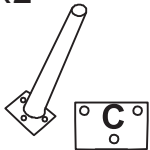







Installation & Assembly

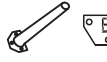



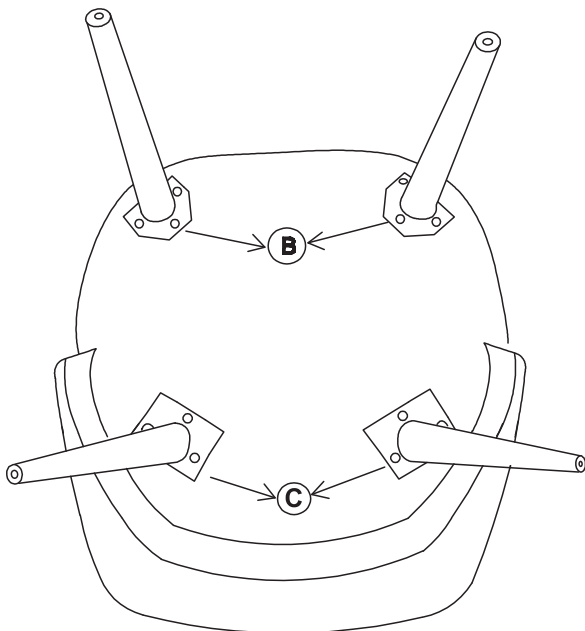
Ax1 	Bx2 	Cx2 
Dx12  M6x25mm	Ex1 	Fx4 

SPARE (Ersatzteile)




Dx1  M6x25mm	Fx1 	
---	--	--

STEP 1

B		2
C		2



STEP 2

D	 M6x25mm	12
E		1
F		4

